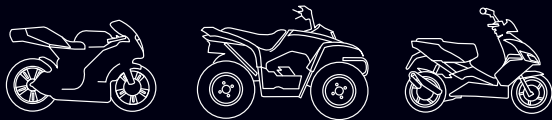


CATFE901



FERODO[®]

MOTORCYCLE

**Pads and Shoes
Discs
Clutches**

2015-16



 **FEDERAL-MOGUL
MOTORPARTS**

www.ferodoracing.com



RACING

RACE PROVEN BRAKE & CLUTCH SOLUTIONS



Ferodo brake pads incorporate Array Cooling & Siloxane technology™

Find out more at www.ferodoracing.com

FERODO™

MOTORCYCLE



PADS & SHOES - DISCS - CLUTCHES Technical information

I - IX

BRAKE FLUIDS Technical information

X - XI

PADS&SHOES

PRODUCT RANGE	1
MOTORCYCLE APPLICATIONS	1000
ATV/SNOWMOBILE APPLICATIONS	2000
BUYER'S GUIDE	3000
PADS FOR RACING CALIPERS	4000
PAD DRAWINGS	5000
SHOE DRAWINGS	6000
BRAKE PADS XREF (COMPETITORS TO FERODO)	7000
BRAKE SHOES XREF (COMPETITORS TO FERODO)	8000

DISCS

MOTORCYCLE APPLICATIONS	10000
ATV APPLICATIONS	11000
BUYER'S GUIDE	12000
BRAKE DISCS XREF (COMPETITORS TO FERODO)	13000

CLUTCHES

MOTORCYCLE APPLICATIONS	20000
SCOOTER CENTRIFUGAL APPLICATIONS	21000
CLUTCHES KIT XREF (COMPETITORS TO FERODO)	22000

FERODO Pads & Shoes

Ferodo's organic and sintered brake pads & shoes provide the performance and modulation appreciated by the world's best riders

Organic compounds



FDB**AG**

FOR SCOOTERS



FDB**P**

FOR ROAD, RACE USE
ON REAR BRAKE,
AND OFF-ROAD USE



FDB**PRP**

FOR ROAD USE IN
COMBINATION WITH
POLISHED ROTOS
(PRP = POLISHED
ROTOR PAD)



FDB**CP1**

FOR RACE USE

Carbon based composites bound together with an organic resin

**** = PAD/SHOE SHAPE NUMBER

Sintered compounds



FDB**ST**

FOR ROAD USE



FDB**SG**

FOR OFF-ROAD USE



FDB**XRAC**

FOR RACE USE



FSB***

BRAKE SHOES LINED
WITH ORGANIC
FRICTION MATERIAL

Composed of pressed metal powders which have been fused together at very high temperature

Pad Compound Selection Guide

Principal Type of Use	Compound Name	Material Suffix Code	Compatible with		Road		Light Competition		PRO Competition	
			Stainless Steel Discs	Cast Iron Discs	Front	Rear	Front	Rear	Front	Rear
Road	Argento	AG	•	•	•	•	-	-	-	-
Road/Off Road	Platinum	P	•	•	•	•	•	•	-	•
Road	SinterGrip	ST	•	-	•	•	•	•	-	•
Road	Polished Rotor Pad	PRP	•	•	•	•	-	-	-	-
Off Road	SinterGrip	SG	•	-	•	•	•	•	•	•
Race	CP1	CP1	•	•	-	-	•	-	•	-
Race	SinterGrip	XRAC	•	-	-	-	•	-	•	-

Ferodo Race Materials Evaluated Under Race Conditions

	Friction level	Bite	Fade Resistance	Controllability	Pad Life	Disc Life	Wet Braking
XRAC	•••	•••	•••	••	•••	••	•••
CP1	•••	••	•••	•••	••	•••	••

•••	Excellent
••	Good
•	Moderate

Ferodo Road Materials Evaluated Under Road Conditions

	Friction level	Bite	Fade Resistance	Controllability	Pad Life	Disc Life	Wet Braking	Comfort
ST	•••	•••	•••	••	•••	••	•••	••
Platinum	••	•••	••	•••	••	•••	••	•••
Argento	•	••	•	••	••	•••	••	•••
PRP	••	•	•	•••	••	•••	••	•••

Ferodo Off-Road Materials Evaluated Under Off-Road Conditions

	Friction level	Bite	Fade Resistance	Controllability	Pad Life	Disc Life	Pad life in mud
Platinum	••	•••	••	•••	••	•••	•
SG	•••	•••	•••	••	•••	•••	•••

Comparison Criteria

Friction level

Overall average friction coefficient.

Bite

Initial friction at the start of the stop.

Fade Resistance

Resistance to drop-off in friction coefficient under severe braking conditions.

Controllability

How easy the brake is to modulate.

Pad Life

How long the pad lasts

Disc Life

The life of the disc taking into consideration not only the reduction in thickness due to wear, but also maintenance of good surface condition.

Wet Braking

The effectiveness of the material in wet conditions.

Comfort

The amount of brake squeal and other vibration generated during the braking event.

Pad Life in mud

Important for off-road bikes

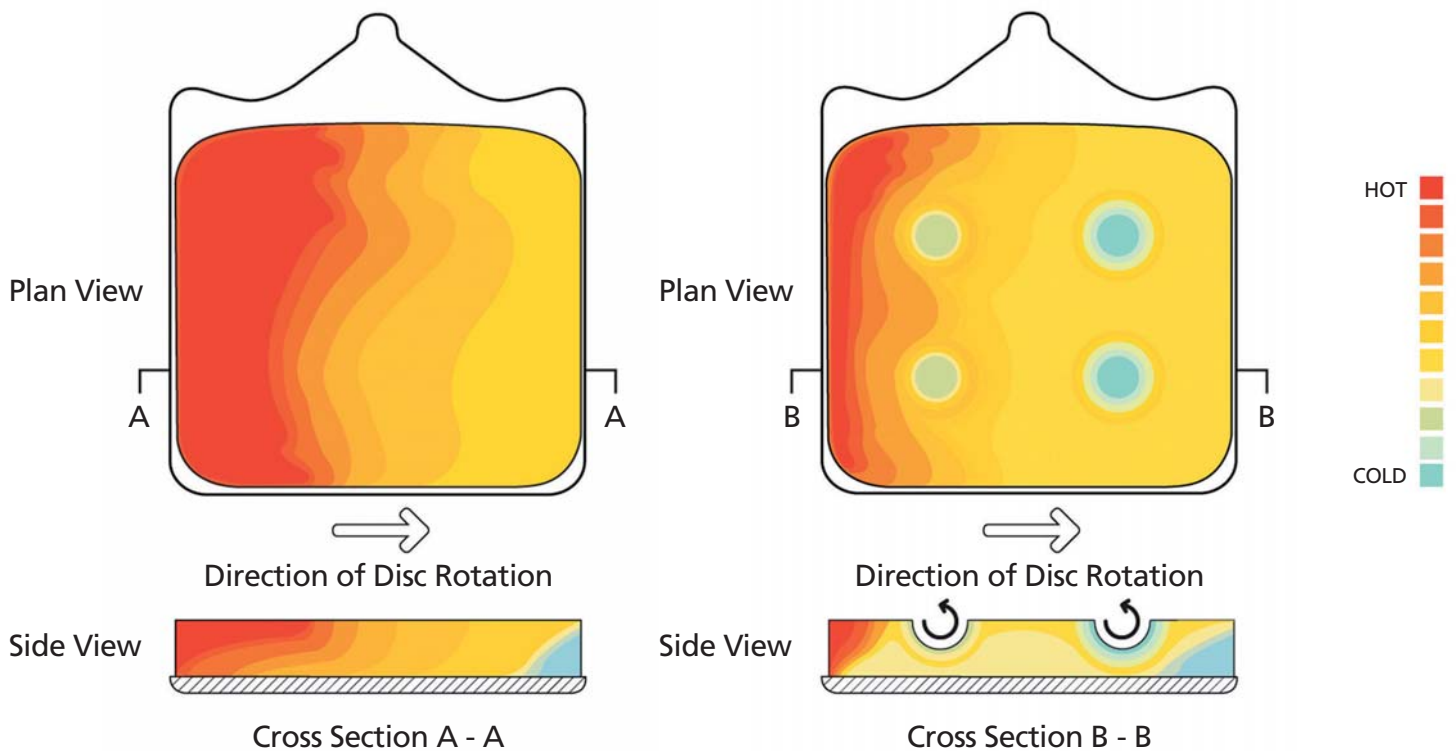


RACING

ARRAY COOLING TECHNOLOGY

Without Array Technology

With Array Technology

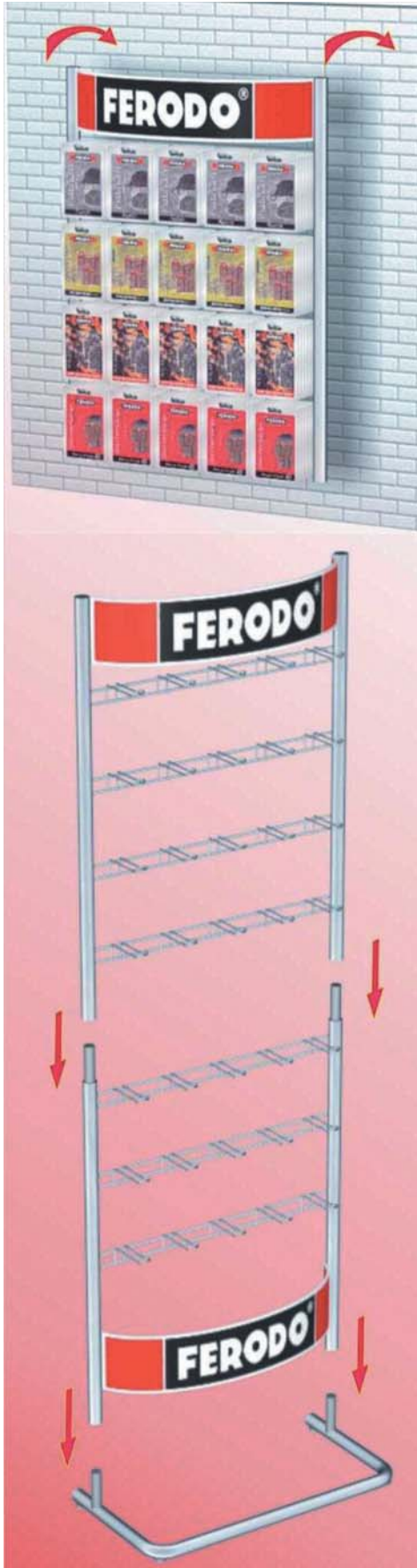


15% Reduction in operating Temperature

LOWER OPERATING TEMPERATURE

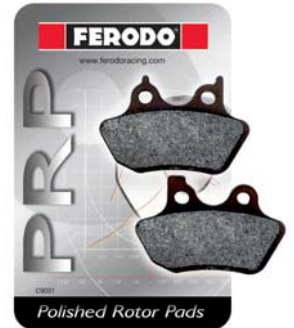
- Reduces wear rates of discs and pads
- Reduces the risk of fading
- Reduces the brake fluid boiling risk
- Array Cooling Pads are available in XRAC (Racing)

DISPLAY UNITS



Cod. DIS204

Road



Off-Road



Racing



FERODO Discs



RX DISCS

A full floating disc, alloy carrier, designed to eliminate warping from overheating.

Flottanti con campana in lega leggera, concepito per eliminare distorsioni derivate da calore. Intercambiabili agli originali.

Disque flottant avec frette centrale en alliage, conçu pour éviter le voilement en cas de surchauffe du disque.

Disco flotante con campana en aluminio, no "warping". Intercambiabile con los discos originales.



RF DISCS

A full floating disc, steel carrier, designed to eliminate warping from overheating.

Flottanti con campana in acciaio. Intercambiabili agli originali.

Disque flottant avec frette centrale en acier, conçu pour éviter le voilement en cas de surchauffe du disque.

Discos flotantes con campana de acero inoxidable, no "warping". Intercambiabile con los discos originales.



R DISCS

A standard, one piece disc, designed to increase performance and wear over OE.

Dischi fissi intercambiabili agli originali.

Disque fixe standard en une pièce, conçu pour augmenter et améliorer performance de freinage et usure par rapport au matériau d'origine.

Disco fijo intercambiabile al original, mejor coeficiente de fricción y menor desgaste.

Ferodo discs are the perfect replacement choice.
 They are available for your motorcycle in an upgraded version of the OE disc.
 The style offered depends on which type of disc was originally specified for your bike.



RP DISCS

A standard, one piece disc, designed to increase performance and wear over OE, with the additional "polished" treatment providing the high aspect required for a custom bike.

Dischi fissi intercambiabili agli originali, lucidati particolarmente indicati per un look custom.

Disque fixe standard en une pièce, conçu pour augmenter et améliorer performance de freinage et usure par rapport au matériau d'origine, avec traitement additionnel de Polissage, particulièrement recherché pour son aspect brillant requis pour les motos de type "Custom".

Discos fijo intercambiable al original, pulido especial indicado para cualquier aplicación custom.

RPF DISCS

Disc with steel carrier, designed to achieve minimum "warping", with the additional "polished" treatment providing the high aspect required for a custom bike.

Dischi con campana in acciaio concepiti per evitare distorsioni del disco opportunamente lucidati per applicazioni custom.

Disque flottant avec frette centrale en acier, conçu pour éviter le voilement en cas de surchauffe du disque, avec traitement additionnel de polissage, particulièrement recherché pour son aspect brillant requis pour les motos de type "Custom".

Discos flotante con campana de acero inox, evita cualquier deformación del disco durante la frenada. Pulido especial indicado para cualquier aplicación custom.

All discs are manufactured with a laser cut, heat treated, high carbon stainless steel that provides:

- Higher friction coefficient
- Improved wear for both disc and brake pad
- Lighter weight
- Increased strength.

Tutti i dischi sono prodotti con taglio laser e sono in acciaio con un elevato contenuto di carbonio che garantisce:

- un livello d'attrito più alto
- una ridotta usura delle pastiglie e dello stesso disco
- un minor peso
- maggiore robustezza.

Tous les disques de frein Ferodo sont fabriqués en acier inoxydable à haute teneur en carbone et découpés au laser. Ils garantissent:

- Un meilleur coefficient de friction.
- Une moindre usure du disque et des plaquettes de frein.
- Un poids minimal.
- Une plus grande robustesse.

Todos los discos de freno Ferodo estan fabricados mediante corte por laser, son de acero inoxidable con elevado contenido de carbono.

- Elevado coeficiente de fricción
- Bajo consumo del disco y de la pastilla
- Material del disco (acero) más ligero y robusto

FERODO Clutches

Standard



FSS XXXX

Spring kits.
Kit molle frizione.
Feder- kits.
Kit muelles embrague.
Kit de ressorts d'embrayage



FCD XXXX

Set of standard friction plates.
Dischi frizione conduttori con materiale d'attrito standard.
Kupplungsscheibensätze mit standard-reibmaterial.
Serie completa discos de embrague en acero inox. Forrados con material de fricción estándar.
Série de disques d'embrayages garnis de matériau de friction standard.

High performance



FCD XXXX/1

Set of racing friction plates.
Dischi frizione conduttori con materiale d'attrito.
Racing kupplungsscheiben mit reibmaterial in rennmateriale.
Serie completa discos de embrague en acero inox.
Forrados con material de fricción racing
série de disques d'embrayages garnis de matériau de friction racing.

RACING FRICTION PLATES

The material has unique characteristics that guarantee excellent performance even during the most severe use. The friction material does not contain rubber or cork hence reducing the problem of sticking or slippage.

Ferodo recommend that new friction plates are immersed in engine oil for two hours before use. This allows the material to absorb oil which increases the life of the component.

Note: The racing plates consist of two standard plates that must be mounted one at each end of the clutch set.

DISCHI FRIZIONE RACING

Il materiale utilizzato possiede caratteristiche uniche che permettono alle frizioni Ferodo di avere performance eccellenti anche nelle condizioni di utilizzo più difficili. Il materiale d'attrito non contiene sughero o gomma, evitando in questo modo qualsiasi problema di incollaggio e slittamento.

Ferodo raccomanda che i nuovi dischi frizione vengano immersi per un paio d'ore in olio motore prima di essere utilizzati. Questo permette al materiale di assorbire una certa quantità d'olio incrementando così la vita del componente.

Nota: la serie dischi conduttori racing comprende due dischi standard che devono essere montati uno all'inizio e l'altro alla fine della serie.

MOTORSPORT-UPPLUNGSSCHEIBEN

Das verwendete Material gewährleistet auch unter höchster Beanspruchung beste Leistung. Das Reibmaterial beinhaltet weder Kork noch Gummi, dadurch gibt es kein Verkleben und Rutschen.

Ferodo empfiehlt, die neuen Kupplungsringe einige Stunden vor Erstbenutzung in ein Ölbad zu legen. Dadurch kann das Öl ins Material eindringen und steigert die Lebensdauer.

Merke: Der Kupplungsscheibensatz enthält zwei Standard Ringe, wovon eine am Anfang und eine am Ende des Kupplungspaketes montiert wird.

Ferodo clutch components are manufactured to the highest European quality standards and utilise only premium quality materials.

Standard



FCS XXXX/2

Complete sets of steel plates and standard friction plates.

Serie completa dischi frizione condotti in acciaio e conduttori con materiale d'attrito standard.

Komplette kupplungssätze mit stahlreibrscheiben und reibrscheiben in standardmaterial.

Serie completa discos de embrague en acero inox. Forrados con material de fricción estándar.

Série complète de disques d'embrayages lisses en acier et garnis de matériau de friction standard.

High performance



FCS XXXX/3

Complete sets of steel plates and racing friction plates.

Serie completa dischi frizione condotti in acciaio e conduttori con materiale d'attrito.

Racing komplette kupplungssätze mit stahlscheiben und reibrscheiben in rennmaterial.

Serie completa discos de embrague en acero inox. Forrados con material de fricción racing.

Série complète de disques d'embrayages lisses en acier et garnis de matériau de friction racing.

Scooters



FCG XXXX

Complete kits of centrifugal clutches and bells for scooter applications.

Kit completo girante frizione e campana per scooter. Assicura il perfetto accoppiamento dei due componenti.

Glocken- und fliehkraftkupplung für scooter sichern das perfekte zusammenspiel beider komponenten

Kit completo de rodillos de fricción y campana para scooter. Asegura el perfecto coplamiento de los 2 componentes.

Kit complet d'embrayage centrifuge et cloche d'embrayage pour scooters. Assure le parfait accouplement des deux composants.

DISCOS DE EMBRAGUE RACING

El material utilizado posee características únicas que permiten que los embragues Ferodo tengan unas prestaciones excelentes incluso en las condiciones de utilización más severas. Los materiales de fricción no contienen ni corcho ni goma, evitando los posibles problemas de despegue o arrastre.

Ferodo recomienda que antes de montar los discos de embrague, se sometan estos a un baño de aceite de motor durante 2 horas aprox. De esta forma el material puede absorber una cierta cantidad de aceite que proporcionará una mayor vida a los discos de embrague.

Nota: La serie de discos de compuesto racing incorporan 2 discos estándar que se deben de montar uno al inicio y otro al final del paquete de embrague.

DISQUES D'EMBRAYAGE RACING

Le matériau utilisé possède des caractéristiques uniques qui permettent aux embrayages Ferodo de maintenir d'excellentes performances, même dans les conditions d'utilisation les plus difficiles. Le matériau de friction ne contient ni liège, ni caoutchouc, évitant ainsi toute possibilité de collage et de patinage.

Ferodo recommande que les nouveaux disques soient immergés pendant deux heures dans de l'huile moteur avant d'être utilisés. Ceci permettra au matériau de friction d'absorber une certaine quantité d'huile afin d'augmenter la durée de vie du produit.

Note: La série de disques garnis de matériau de friction racing comprend deux disques standards qui doivent être montés, l'un au début et l'autre à la fin de la série.

Brake fluids



All fluids are of Glycol ether based composition, and are suitable for brake and clutch use. Additionally they have the following characteristics:

		DOT4	DOT5.1	Ferodo Formula	Ferodo Super Formula
Technical Details: Typical measured values	Dry boiling point (°C)	248	270	310	328
	Wet boiling point (°C)	159	185	205	200
	Kinematic Viscosity (cSt)	1250	800	1650	1500
Availability	0,25 litre	FBX025	FBZ025	n/a	n/a
	0,50 litre	FBX050	FBZ050	DSF050	FSF050
	1 litre	FBX100	FBZ100	n/a	n/a
	5 litres	n/a	FBZ500	n/a	n/a

Bottles are sold in complete boxes only

	Box = 24 bottles
	Box = 12 bottles
	Box = 4 bottles

WARNING:

Recommended for use by experienced mechanics only.

Contains polyalkylene glycol ether and other esters. Keep out of reach of children. Avoid excessive skin contact. If swallowed, seek medical advice and show the container. In case of eye contact, flush with water for 10 minutes.

DOT4

- Recommended for road use
- Adheres to DOT 4 (and DOT 3) specification
- Low viscosity, low corrosion and low rubber swell
- Available in 3 bottle sizes, including 250ml
- Perfectly suited to motorcycle road use, where peak temperatures do not necessitate more expensive products

DOT5.1

- Recommended for road use
- Adheres to DOT 5.1 specification
- Very low viscosity means ideally suited for ABS / ESP braking systems
- Low viscosity down to -40°C optimises performance under all conditions
- Available in 4 bottle sizes
- Low corrosion
- Very low rubber swell

Ferodo Formula

- Recommended for track day & race use
- High wet and dry boiling point
- Low corrosion
- Low rubber swell
- Low viscosity for a race fluid (falls within DOT 4 road spec allowing road use)

Ferodo Super Formula

- Premium Product
- Recommended for race use
- Market leading high wet and dry boiling point
- Very low corrosion, with additives to render more compatible with Mg components
- Low rubber swell
- Super-low viscosity for a race fluid of such high B.pt. (falls within DOT 4 road spec allowing road use)
- Super high lubricity reduces clutch component wear even in problem applications

FERODOTM

MOTORCYCLE

DOT 4

SUPERIOR PERFORMANCE



Technical details

- Dry boiling point: 248 °C
- Wet boiling point: 159 °C
- Kinematic Viscosity (Cst): 1250

www.ferodoracing.com

DOT4

Bottles of 250 ml, 500 ml, 1 l

- Perfectly suited to motorcycle road use, where peak temperatures do not necessitate more expensive products
- Adheres to DOT 4 (and DOT 3) specification
- Low viscosity, low corrosion and low rubber swell
- Recommended for road use
- Available in 3 bottle sizes, including 250ml



**FEDERAL-MOGUL
MOTORPARTS**

FERODO

MOTORCYCLE



Motorcycle Pads Products Range

Part Number	ROAD / OFF ROAD		ROAD	SCOOTER	OFF ROAD	ROAD	RACING	RACING
	ORG.	ORG.	ORG.	SINT.	SINT.	ORG.	SINT.	
FRP213		✓						
FRP405	✓	✓	✓	✓	✓	✓		
FRP408	✓	✓	✓				✓	✓
FRP410	✓							
FRP415	✓							
FRP416	✓							
FDB88	✓							
FDB108	✓					✓		✓
FDB119	✓							
FDB132	✓							
FDB134	✓							
FDB148	✓					✓		
FDB150	✓							
FDB151	✓	✓				✓		
FDB155	✓							
FDB177	✓							
FDB178	✓							
FDB181	✗							
FDB182	✓							
FDB183	✓							
FDB184	✓							
FDB185	✓	✓						
FDB204	✓							
FDB205	✓							
FDB207	✓		✓	✗	✓	✓		
FDB213	✓							
FDB217	✓							
FDB218	✓					✗		
FDB220	✓					✓		
FDB244	✓					✓		
FDB247	✓							
FDB250	✓		✓	✓				
FDB277	✓							
FDB298	✓							
FDB299	✓							
FDB310	✓							
FDB311	✓							
FDB312	✓					✓		
FDB313	✓		✓	✓	✓			
FDB314	✓		✓	✓	✓			
FDB333	✓	✓						
FDB334	✓	✗						
FDB335	✓	✓						
FDB337	✓					✓		✓
FDB338	✓					✓		✓
FDB339	✓					✓		✓
FDB342	✓					✗	✓	
FDB352	✓	✓				✓		
FDB381	✓				✓			
FDB382	✓				✓			
FDB383	✓		✓	✓				
FDB384	✓							
FDB386	✓					✓		
FDB389	✓					✓		
FDB390	✓							
FDB404	✓							
FDB411	✓							
FDB436	✓							
FDB437	✓							
FDB438	✓		✓					
FDB449	✓					✓		
FDB452	✓					✓		
FDB462	✓					✓		
FDB475	✓		✓					
FDB481	✓					✓		
FDB485	✓	✓						

Part Number	ROAD / OFF ROAD		ROAD	SCOOTER	OFF ROAD	ROAD	RACING	RACING
	ORG.	ORG.	ORG.	SINT.	SINT.	ORG.	SINT.	
FDB494	✓							
FDB495	✓				✓			
FDB496	✓							
FDB497	✓		✓	✓	✓			
FDB498	✓				✓		✓	
FDB499	✓							
FDB508	✓							
FDB529	✓							
FDB531	✓				✓			
FDB533	✓					✓	✓	✓
FDB538	✓					!		
FDB539	✓			✓				
FDB557	✓				✓	✓	✓	
FDB569	✓				✓	✓	✓	✓
FDB570	✓				✓	✓	✓	✓
FDB574	✓	✗			✓	✓	✓	✓
FDB583	✓							
FDB591	✓							
FDB592	✓							
FDB605	✓				✓	✓	✓	
FDB606	✓							
FDB607	✓							
FDB624				✓				
FDB625				✓				
FDB631	✓			✓	✓	✓		
FDB636	✓			✓				
FDB637	✓				✓			
FDB659	✓				✓			
FDB661	✓			✓				
FDB662	✓					✗		
FDB663	✓					✓		
FDB664	✓					✓		
FDB665	✓					✓		
FDB666	✓					✓		
FDB672				✓				
FDB673	✓							
FDB677	✓			✓				
FDB680	✓			✓		✓		
FDB694	✓			✓	✗	✓		
FDB695	✗							
FDB696				!				
FDB697				✓				
FDB698	✓							
FDB706	✓							
FDB731	✓							
FDB736	✓					✓		
FDB737	✓							
FDB741	✓							
FDB754	✓					✓		
FDB781	✓					✓		
FDB782	✓							
FDB783				✓				
FDB784				✓				
FDB828	✓					✓		
FDB847	✓							
FDB858	✓					✓	✓	
FDB864	✓	✗				✓		
FDB865	✗	✗						
FDB873	✓	✗				✓	✓	✓
FDB887	✓							
FDB889				✓		✓		
FDB892	✓				✓			
FDB2001	✓	✓						
FDB2002	✓					✓		
FDB2003	✓		✓			✓		
FDB2005	✓				✓	✓		

Part Number	ROAD / OFF ROAD		ROAD	SCOOTER	OFF ROAD	ROAD	RACING	RACING
	ORG.	ORG.	ORG.	SINT.	SINT.	ORG.	SINT.	
FDB2006	✓					✓		
FDB2007	!						✓	✓
FDB2008	!						✓	✓
FDB2012	✓					✓		
FDB2013						✓		
FDB2014						✓		
FDB2015						✓		
FDB2016						✓		
FDB2017						✓		
FDB2018	✓					✓		
FDB2033	✓							
FDB2034	✗							
FDB2036	✓					✓		✗
FDB2037				✓				
FDB2039	✓					✓		
FDB2040	✓	✓				✓		
FDB2041	✓					✓		
FDB2042	✓					✓	✓	✓
FDB2048	✓					✓	✓	✓
FDB2049	✓					✓	✓	✓
FDB2050	✓					✓		
FDB2054						✓		
FDB2055						✓		
FDB2056								
FDB2057						✓		
FDB2058	✓							
FDB2060	✓					✓		
FDB2062						✓		
FDB2073	✓					✓		
FDB2074	✓					✓		
FDB2075	✓					✓		
FDB2079	✓					✓	✓	✓
FDB2080						✓		
FDB2081						✓		
FDB2083	✓					✓		
FDB2084	✓					✓		
FDB2085	4	✓				✓		
FDB2086	✓					✓		
FDB2087						✓		
FDB2090	✓					✓		
FDB2091	✓					✓		
FDB2095						✓		
FDB2096						✓		
FDB2097	✓	✓				✓		
FDB2098						✓		
FDB2099	✓					✓		
FDB2100						✓		
FDB2101						✓		
FDB2102	✓					✓		
FDB2103	✓					✓		
FDB2105						✓		
FDB2106						✓		
FDB2107	✓							
FDB2108						✓		
FDB2109	✓					✓		
FDB2110						✓		
FDB2111	✓					✓	✓	
FDB2113	✓					✓		
FDB2114	✓					✓		✓
FDB2115	✓					✓		
FDB2119	✓					✓	✓	
FDB2120	4					✓	✓	✓
FDB2121						✓		
FDB2122	✗							
FDB2123							✓	✓
FDB2124	✓					✓		

* 2 UNLESS OTHERWISE STATED

Motorcycle Pads Products Range

Part Number	ROAD / OFF ROAD		ROAD	SCOOTER	OFF ROAD		ROAD	RACING	
	ORG.	SINT.			ORG.	SINT.		ORG.	SINT.
	PADS*	P	PRP	AG	SG	ST	CP1	XRAC	
FDB2125		✓					✓		
FDB2126		✓							
FDB2127					✓				
FDB2128				✓					
FDB2129				⚠	⚠				
FDB2130				✓					
FDB2132				✓			✗		
FDB2133				✓	✓				
FDB2136				✓	✓				
FDB2139		✓			✓				
FDB2140				✓					
FDB2141	4			✓	✓				
FDB2142				✓		✓			
FDB2143		✓							
FDB2144		✓				✓		✓	
FDB2145					✓			✓	
FDB2146		✓							
FDB2147				✓					
FDB2148				✓	✓				
FDB2149					✓				
FDB2150						✓			
FDB2153	4	✓							
FDB2154	4	✓							
FDB2156		✓				✓			
FDB2157					✓				
FDB2158					✓	✓			
FDB2162		✓			✓				
FDB2163					✓	✓			
FDB2164	4				✓			✓	
FDB2165		✓			✓				
FDB2166	4						✓	✓	
FDB2167							✓	✓	
FDB2168								✓	
FDB2169		✓		✓					
FDB2170		✓							
FDB2171		✓							
FDB2173						✓			
FDB2175					✓				
FDB2176					✓				
FDB2177						✉			
FDB2178						✓		✓	
FDB2179		✓				✓			
FDB2180		✓				✓			
FDB2181						✓		✓	
FDB2182					✓				
FDB2183					✓				
FDB2184		✓			✓				
FDB2185		✓							
FDB2186				✓					
FDB2187					✓				
FDB2188					✓				
FDB2189					✓				
FDB2190				✓					
FDB2191				✓					
FDB2192				✓					
FDB2193					✓				
FDB2194		⚠							
FDB2195					✓				
FDB2196				✓		✓			
FDB2197					✓				
FDB2198						✓			
FDB2200		✓							
FDB2201						✓			
FDB2202		✓				✓			
FDB2203	4							✓	
FDB2204							✓	✓	

Part Number	ROAD / OFF ROAD		ROAD	SCOOTER	OFF ROAD		ROAD	RACING	
	ORG.	SINT.			ORG.	SINT.		ORG.	SINT.
	PADS*	P	PRP	AG	SG	ST	CP1	XRAC	
FDB2205								✓	✓
FDB2206		✓							
FDB2207				✓					
FDB2208				✓					
FDB2209									✓
FDB2210		✓				✓			
FDB2211									
FDB2212				✓		✓			
FDB2213		✓				✓			
FDB2214					⚠				
FDB2215	4						✓	✓	
FDB2216		✓				✓	✓	✓	
FDB2217	4						✓	✓	✓
FDB2218						✗	✓	✓	
FDB2219					✓				
FDB2220	4					✓	✓	✓	
FDB2221		✓				✓			
FDB2224		✓							
FDB2225				✓					
FDB2226				✓					
FDB2228								✓	
FDB2230					✓				
FDB2231					✓				
FDB2232					✓				
FDB2233					✓				
FDB2235					✓				
FDB2236					✓				
FDB2238		✓		✓					
FDB2240	4					✓		✉	
FDB2242		✓		✓					
FDB2243		⚠			✓			✉	
FDB2244	4					✓			
FDB2245						✓			
FDB2248				✓					
FDB2250						✓			
FDB2251						✓			
FDB2252						✓			
FDB2253						✓			
FDB2254				✓					
FDB2255	4					✓		✓	
FDB2256				✓					
FDB2257					✓				
FDB2258						✓			
FDB2259	4					✓			
FDB2260						✓			
FDB2262					✓				
FDB2263					✓				
FDB2264				✓					
FDB2265						✓			
FDB2266						✓			
FDB2267					✓				
FDB2268		✓							
FDB2270		✓							
FDB2271						✓			
FDB2272						✓			
FDB2273						✓			
FDB2274						✓			
FDB2275		✓							
FDB2276					✓				
FDB2277				✓					
FDB2278						✓			
FDB2279					✉				
FDB2280							✉	✉	
FDB2281							✉		
FDB2283		✉							

- ✓ Available
- ✗ No longer Available
- ✉ In Introduction
- ⚠ Exhausting
- ✉ Make to order

ORG. = Organic
SINT. = Sintered

Equivalent Ferodo Pad Shapes

Part Number	Pads/Set*	DIMENSIONS	ALSO AVAILABLE				
		Length x Height x Thickness (mm)	Shape	Th. mm	Shape	Th. mm	Notes
FRP405		36.1 x 45.1 x 6.0 mm	FDB2107				Replacing FDB2107
FDB108		56.0 x 55.0 x 9.0 mm	FDB148	7.6			
FDB148		56.0 x 55.0 x 7.6 mm	FDB108	9.0			
FDB244		90.0 x 49.0 x 10.5 mm	FDB538	9.0	FDB665	11.0	
FDB298		68.0 x 41.0 x 9.6 mm	FDB299	8.2			
FDB299		68.0 x 41.0 x 8.2 mm	FDB298	9.6			
FDB382		81.0 x 42.0 x 7.3 mm	FDB2086	8.3	FDB2132	8.3	
FDB383		71.0 x 36.0 x 9.4 mm	FDB475	8.0			
FDB404		77.0 x 54.0 x 7.1 mm	FDB673	9.4			
FDB438		79.0 x 47.0 x 7.4 mm	FDB2060				
FDB452		88.1 x 46.1 x 8.5 mm	FDB2173	8.5	FDB663	9.8	
FDB462		81.2 x 42.0 x 8.0 mm	FDB2113	9.5			
FDB475		71.0 x 36.0 x 8.0 mm	FDB383	9.4			
FDB495		94.5 x 32.1 x 7.1 mm	FDB496	10.5			
FDB496		94.5 x 32.1 x 10.6 mm	FDB495	7.0			
FDB497		96.6 x 42.0 x 7.6 mm / 77.0 x 42.0 x 7.6 mm	FDB631				
FDB531		86.0 x 40.0 x 10.6 mm	FDB2258	8.9			
FDB538		90.0 x 49.0 x 9.0 mm	FDB244	10.5	FDB665	11.0	
FDB539		75.1 x 36.1 x 9.7 mm	FDB672	9.1	FDB783	7.6	
FDB570		102.0 x 39.0 x 8.3 mm	FDB2225	10.3	FDB664	9.8	
FDB631		96.6 x 42.0 x 7.6 mm / 77.0 x 42.0 x 7.6 mm	FDB2087	8.8	FDB497		
FDB637		74.8 x 55.0 x 10.9 mm	FDB666				
FDB659		62.1 x 40.9 x 9.4 mm	FDB2270	7.1			
FDB663		88.1 x 46.1 x 9.8 mm	FDB2173	8.5	FDB452	8.5	
FDB664		102.1 x 39.1 x 9.8 mm	FDB2225	10.3	FDB570	8.3	
FDB665		90.0 x 49.0 x 11.5 mm	FDB244	10.0	FDB538	9.0	
FDB666		74.7 x 55.3 x 10.9 mm	FDB637				
FDB672		75.1 x 36.1 x 9.1 mm	FDB539	9.7	FDB783	7.6	
FDB673		77.0 x 54.0 x 9.4 mm	FDB404	7.1			
FDB783		75.1 x 36.1 x 7.6 mm	FDB539	9.7	FDB672	9.1	
FDB784		31.7 x 51.1 x 5.6 mm	FDB2100	6.0			
FDB873		90.0 x 52.0 x 8.0 mm	FDB2144	9.9			
FDB2007		78.0 x 41.0 x 8.7 mm	FDB2123	10.0			
FDB2040		69.4 x 51.1 x 7.9 mm	FDB2041	11.0			
FDB2041		69.4 x 51.1 x 11.0 mm	FDB2040	7.9			
FDB2042		75.2 x 55.2 x 9.4 mm	FDB2099	7.6			
FDB2048		133.6 x 36.5 x 8.4 mm / 109.2 x 44.0 x 8.4 mm	FDB2049				
FDB2049		133.6 x 36.5 x 8.4 mm / 109.2 x 44.0 x 8.4 mm	FDB2048				
FDB2060		78.7 x 47.0 x 7.4 mm	FDB438				
FDB2073		115.6 x 41.0 x 8.0 mm	FDB2075	9.4	FDB2098	8.3	
FDB2075		115.6 x 41.0 x 9.4 mm	FDB2073	8.0	FDB2098	8.3	
FDB2079		74.0 x 55.1 x 9.0 mm	FDB2114	7.1			
FDB2080		94.5 x 35.8 x 7.3 mm / 119.7 x 26.6 x 6.8 mm	FDB2188				
FDB2086		81.4 x 42.2 x 8.3 mm	FDB2119	9.0	FDB382	7.5	
FDB2087		77.0 x 42.0 x 8.8 mm / 96.6 x 42.0 x 8.8 mm	FDB631	7.6			
FDB2098		115.6 x 41.0 x 8.3 mm	FDB2073	8.0	FDB2075	9.4	
FDB2099		75.2 x 55.2 x 7.6 mm	FDB2042	9.4			
FDB2100		31.7 x 51.1 x 6.0 mm	FDB784	5.6			
FDB2107		41.3 x 51.5 x 6.0 mm	FRP405				Replacing FRP405
FDB2113		81.2 x 42.0 x 9.5 mm	FDB462	8.0			
FDB2114		74.0 x 55.1 x 7.1 mm	FDB2079	9.0			
FDB2119		81.3 x 42.1 x 9.4 mm	FDB2086	8.0	FDB382	7.5	
FDB2120	4 Pads	35.2 x 39.7 x 7.6 mm	FDB2215	8.5			
FDB2123		77.8 x 40.8 x 10.0 mm	FDB2007	8.3			
FDB2126		100.3 x 39.3 x 12.0 mm	FDB2156	9.5			
FDB2132		81.2 x 42.2 x 8.3 mm	FDB2086	8.0	FDB382	7.5	
FDB2133		75.7 x 41.5 x 8.2 mm / 99.2 x 40.3 x 7.5 mm	FDB2197				
FDB2142		97.1 x 41.2 x 9.0 mm / 77.2 x 41.2 x 9.0 mm	FDB2186				
FDB2144		90.0 x 52.0 x 9.9 mm	FDB873	8.0			



FERODO™

MOTORCYCLE PADS



Motorcycle Applications

FERODO™

MOTORCYCLE PADS



CC FROM → TO



NOTES



NOTES

ACCOSSATO

50 CROSS	50	2000	→	FSB898	FSB898
50 CROSS MINI	50	1982	→	FSB907	FSB907
50 ENDURO	50	2000	→	FSB898	FSB898
50 ENDURO CODICE	50	1989	→	FDB207	FDB697
CE 50	50	1987	→	FDB207	FDB697
CR 50 CROSS COMPETIZIONE	50	1984	→	FSB898	FSB898
CR 50 ENDURO	50	1984	→	FSB898	FSB898
CR 50 ENDURO COMPETIZIONE	50	1984	→	FSB898	FSB898
80 CROSS	80	2000	→	FSB898	FSB898
CE 80	80	1987	→	FDB207	FDB207
CE 80 CROSS H 20	80	1984	→	FSB904	FSB898
CE 80 ENDURO H 20	80	1984	→	FSB904	FSB898
KR 80	80	1987	→	FDB207	FDB697
CE 125 CROSS H 20	125	1984	→	FSB904	FSB898
CE 125 ENDURO H 20	125	1984	→	FSB904	FSB898

ADLY

Cat 50	50	1998	→	FDB313	FSB731
Fox 50 / SILVER FOX 50	50	2000	→	FDB383	FSB731
G-Shock 50	50	1998	→	FDB313	FSB731
Jet 50	50	1996	→	FDB636	FSB731
Pista 50	50	1996	→	FDB636	FSB731
Predator 50	50	2000	→	FDB636	FSB731
Super Sonic 50	50	2000	→	FDB313	FSB731
Thunderbike 50	50	1997	→	FDB313	FSB731
Cat 100	100	1998	→	FDB313	FSB731
G-Shock 100	100	1998	→	FDB313	FSB731
Jet 100	100	1996	→	FDB636	FSB731
Predator 100	100	2000	→	FDB636	FSB731
Cat 125	125	1998	→	FDB313	FSB731

AJP

PR3 125 Enduro	125	2008	→ 2011	FDB677	FDB2109
PR3 125 Enduro Pro	125	2008	→ 2011	FDB677	FDB2109
PR3 125 Supermoto	125	2008	→ 2011	FDB677	FDB2109
PR3 125 Supermoto Pro	125	2010	→ 2011	FDB677	FDB2109
PR4 Enduro 125	125	2010	→ 2011	FDB677	FDB384
PR4 Enduro Pro 125	125	2010	→ 2011	FDB677	FDB384
PR4 Supermoto 125	125	2010	→ 2011	FDB677	FDB384
PR4 Supermoto Pro 125	125	2010	→ 2011	FDB677	FDB384
PR3 200 Enduro	200	2008	→ 2011	FDB677	FDB2109
PR3 200 Enduro Pro	200	2010	→ 2011	FDB677	FDB2109
PR3 200 M/X	200	2010	→ 2011	FDB677	FDB2109
PR3 200 M/X Pro	200	2010	→ 2011	FDB677	FDB2109
PR3 200 Supermotard Pro	200	2010	→ 2011	FDB677	FDB2109
PR3 200 Supermoto	200	2008	→ 2011	FDB677	FDB2109
PR4 200 Supermoto	200	2010	→ 2011	FDB677	FDB384
PR4 200 Supermoto Pro	200	2010	→ 2011	FDB677	FDB384
PR4 Enduro 200	200	2010	→ 2011	FDB677	FDB384
PR4 Enduro Pro 200	200	2010	→ 2011	FDB677	FDB384
PR5 250 Enduro	250	2009	→	FDB892	FDB539
PR5 250 Enduro	250	2010	→ 2011	FDB2242	FDB539
PR5 250 Supermoto	250	2009	→	FDB892	FDB539
PR5 250 Supermoto	250	2010	→ 2011	FDB2242	FDB539

ALFER

MC 80	80	1988	→	FDB207	FDB2107
MC 80 CROSS	80	1989	→	FDB207	FDB207
MC 125	125	1987	→	FDB207	FDB207
MC 125	125	1988	→	FDB498	FDB207
AR 250	250	1992	→	FDB499	FDB314
AR 250	250	1993	→	FDB2018	FDB314
GR 250 ENDURO	250	1985	→ 1987	FDB207	FDB207
GR 250 ENDURO	250	1988	→	FDB498	FDB207
MC 250	250	1985	→ 1986	FDB207	
MC 250	250	1987	→	FDB207	FDB207
MC 250	250	1988	→	FDB498	FDB207

* It is recommended that in those applications where sintered pads are supplied as Original Equipment, replacement pads should also be of sintered composition.

** To avoid brake imbalance sintered pads fitted in rear calipers should only be used in combination with front calipers containing sintered pads.

1000



CC FROM → TO



NOTES



NOTES

...ALFER

NO LIMITS 250	250	1995	→	FDB2018	FDB2005
VR 250	250	1994	→	FDB2018	FDB314
VR 250 ENDURO	250	1995	→	FDB2018	FDB2005
VR 250 MOTOCROSS	250	1995	→	FDB2018	FDB2005
VR 250 SUPERMOTARD	250	1999	→	FDB2018	FDB2005
GR 300 ENDURO	300	1985	→ 1987	FDB207	FDB207
GR 300 ENDURO	300	1989	→	FDB499	FDB498
TX 300	300	1990	→	FDB2107	FDB207

ANCILLOTTI

PS 80 MX	80	1983	→	FSB898	FSB898
PST 125 MX	125	1983	→	FSB898	FSB898
PSV 250 MX	250	1983	→	FSB898	FSB901

APRILIA

AF1 50 AE all models	50	1987	→	FDB697	FDB694
AF1 50 EUROPA	50	1991	→	FDB697	FDB694
AF1 50 FUTURA	50	1990	→	FDB697	FDB694
AMICO 50	50	1990	→ 1991	FSB788	FSB788
AMICO 50 all models	50	1992	→	FDB680	FSB788
AREA 51 50	50	1998	→	FDB680	FDB680
CLASSIC 50	50	1992	→	FDB677	FSB900
ET 50	50	1984	→ 1986	FSB907	FSB803
ET 50 AE	50	1987	→	FDB697	FDB694
ETX 50	50	1986	→	FDB697	FSB803
GULLIVER 50	50	1995	→ 1998	FDB680	FSB788
HABANA 50 all models	50	1998	→	FDB680	FSB956
MOJITO CUSTOM 50	50	1999	→ 2003	FDB680	FSB956
MOJITO CUSTOM 50	50	2004	→ 2012	FDB680	FSB938
MX 50	50	2000	→	FSB898	FSB898
MX 50	50	2003	→	FDB677	FDB694
RALLY 50 air cooled	50	1995	→ 2002	FDB680	FSB788
RALLY 50 liquid cooled	50	1996	→ 2000	FDB680	FDB680
RC 50	50	2000	→	FSB907	FSB907
RC 50 SPECIAL	50	2000	→	FSB898	FSB898
RED ROSE 50	50	1988	→ 1991	FDB697	FSB907
RED ROSE 50	50	1992	→	FDB697	FSB900
RS 50	50	1993	→ 1998	FDB207	FDB694
RS 50	50	1999	→ 2005	FDB677	FDB694
RS 50	50	2006	→ 2011	FDB2074	FRP405
RS4 50 (AJP caliper)	50	2011	→	FDB2201	FDB384
RS4 50 (JJ caliper)	50	2011	→	FDB2201	FDB313
RX 50	50	1990	→ 1991	FDB697	FDB694
RX 50	50	1992	→ 1995	FDB677	FDB624
RX 50	50	1996	→ 1998	FDB207	FDB624
RX 50 RACING	50	2004	→	FDB677	FDB694
SCARABEO 50	50	1994	→ 1995	FSB939	FSB788
SCARABEO 50 / 50 Street 4T-2T	50	1996	→	FDB680	FSB788
SCARABEO 50 2T Street / 4T 4V	50	2010	→	FDB731	FSB954
SCARABEO 50 DELUXE	50	1998	→	FDB680	FDB680
SONIC 50 GP	50	1997	→	FDB680	FSB788
SONIC 50 SPICE	50	1997	→	FDB680	FSB788
SR 50 2000	50	2000	→	FDB680	FDB2090
SR 50 all models	50	1993	→ 1996	FDB889	FSB788
SR 50 FACTORY	50	2004	→	FDB680	FDB2090
SR 50 R	50	2008	→	FDB2090	FDB2090
SR 50 STEALTH - RACING	50	1997	→ 1999	FDB680	FDB680
SR 50 WWW - NETSCAPER	50	1997	→ 2001	FDB680	FDB680
SX 50	50	2007	→	FDB677	FDB694
SX 50	50	2008	→	FDB677	FRP405
TUAREG 50	50	1984	→ 1986	FSB907	FSB803
TUAREG 50	50	1986	→	FDB697	FSB803
TUAREG 50	50	1987	→	FDB697	FDB624
TUAREG 50 HPC SYSTEM	50	1987	→	FDB438	FDB207
TUAREG 50 RALLY	50	1990	→	FDB697	FDB694
TUONO 50	50	2004	→ 2006	FDB677	FDB694
TUONO 50	50	2006	→ 2008	FDB2074	FRP405
SCARABEO 70	70	1994	→	FDB680	FSB788
CLASSIC 80	80	1993	→	FDB697	FSB900

* It is recommended that in those applications where sintered pads are supplied as Original Equipment, replacement pads should also be of sintered composition.

** To avoid brake imbalance sintered pads fitted in rear calipers should only be used in combination with front calipers containing sintered pads.



CC

FROM → TO



NOTES



NOTES

APRILIA

SCARABEO 100 (Minarelli engine)	100	2000	→	FDB2095	FSB733
SCARABEO 100 (Yamaha engine)	100	2000	→	FDB2095	FSB947
SCARABEO 100 4T / Net	100	2001	→	FDB2095	FSB954
AF1 125	125	1987	→	FDB499	FDB207
AF1 125 EUROPA	125	1990	→ 1991	FDB498	FDB207
AF1 125 FUTURA	125	1990	→ 1991	FDB498	FDB207
AF1 125 REPLICA	125	1989	→ 1991	FDB498	FDB207
AF1 125 SINTESI	125	1989	→ 1991	FDB498	FDB207
ASR 125	125	1986	→		FDB207
ATLANTIC (ARECIFE) 125	125	2003	→	FDB2105	FDB2090
CLASSIC 125	125	1996	→	FDB706	FDB207
ETX 125	125	1984	→		FSB876
ETX 125	125	1985	→ 1986	FDB207	FSB909
ETX 125	125	1986	→ 1997	FDB438	FSB909
ETX 125	125	1998	→	FDB677	FDB828
HABANA 125 all models	125	1999	→	FDB2095	FSB954
LEONARDO 125	125	1995	→ 1996	FDB207	FDB680
LEONARDO 125	125	1997	→ 1998	FDB2081	FDB680
LEONARDO 125	125	1999	→	FDB2095	FDB2095
MOJITO CUSTOM 125	125	2004	→	FDB680	
MX 125	125	1983	→	FSB898	FSB901
MX 125	125	2004	→	FDB2018	FDB828
PEGASO 125	125	1989	→	FDB706	FDB828
PEGASO 125 KAT	125	1994	→	FDB677	FDB828
RED ROSE 125	125	1989	→ 1989	FDB438	FSB876
RED ROSE 125	125	1990	→	FDB706	FSB876
RS 125	125	2006	→	FDB2216	FDB2090
RS 125 / TUONO 125	125	2004	→	FDB498	FDB207
RS 125 2T RADIAL CALIPER	125	2006	→ 2012	FDB2216	FDB2090
RS 125 EXTREMA - REPLICA	125	1993	→ 1997	FDB498	FDB207
RS 125 EXTREMA - REPLICA	125	1998	→ 1999	FDB2006	FDB207
RS 125 EXTREMA - REPLICA	125	2000	→ 2003	FDB498	FDB207
RS4 125 4T (AJP caliper)	125	2011	→	FDB2201	FDB384
RS4 125 4T (JJ caliper)	125	2011	→	FDB2201	FDB313
RS4 125 4T SBK Replica (JJ caliper)	125	2015	→	FDB2201	FDB313
RX 125	125	1986	→	FDB438	FSB909
RX 125	125	1990	→	FDB706	FDB828
RX 125	125	1991	→	FDB706	FDB828
RX 125	125	1992	→ 1994	FDB677	FDB828
RX 125	125	1995	→	FDB2018	FDB828
RX 125	125	2000	→	FSB898	FSB901
RX 125 (AJP Calipers Front & Rear)	125	2008	→ 2012	FDB2018	FDB384
RX 125 (Brembo Front & Gremica Rear caliper)	125	2008	→ 2012	FDB2018	FDB314
RX 125 (Rimoldi wheels)	125	1984	→ 1985	FSB898	FSB833
SCARABEO 125	125	1998	→ 2006	FDB438	FDB2090
SCARABEO 125 Street	125	2007	→	FDB2105	FDB2090
SPORT PRO 125	125	1993	→ 2003	FDB498	FDB207
SPORTCITY 125 ie	125	2004	→	FDB438	FDB2090
SPORTCITY ONE 125	125	2010	→	FDB2142	FSB954
SR 125	125	1999	→	FDB2095	FSB954
ST 125	125	1987	→	FDB204	FSB876
STX 125	125	1984	→		FSB876
STX 125	125	1986	→	FDB204	FSB876
SX 125	125	2008	→	FDB2018	FDB828
TREND GO WEST 125	125	1987	→	FDB438	FSB909
TUAREG 125	125	1984	→	FSB904	FSB909
TUAREG 125	125	1986	→	FDB438	FDB207
TUAREG 125	125	1987	→	FDB438	FDB207
TUAREG 125 RALLY	125	1986	→	FDB438	FSB909
TUAREG 125 RALLY	125	1989	→ 1990	FDB706	FDB828
TUAREG 125 RALLY	125	1991	→	FDB673	FDB828
TUAREG 125 RALLY(Mozzi Rimoldi)	125	1986	→	FDB438	FSB834
TUAREG 125 WIND	125	1990	→	FDB529	FDB207
TX 125	125	1985	→	FSB898	FSB898
TX 125 M	125	1986	→	FRP405	FSB898
LEONARDO 150	150	1997	→ 1998	FDB2081	FDB680
LEONARDO 150	150	1999	→	FDB2095	FDB2095
SCARABEO 150	150	1998	→	FDB438	FDB2090
SR 150	150	1999	→	FDB2095	FSB954
ATLANTIC (ARECIFE) 200	200	2003	→ 2007	FDB2105	FDB2090
CLIMBER 200	200	1993	→	FDB207	FDB207
SCARABEO 200	200	2001	→ 2007	FDB438	FDB2090

* It is recommended that in those applications where sintered pads are supplied as Original Equipment, replacement pads should also be of sintered composition.

** To avoid brake imbalance sintered pads fitted in rear calipers should only be used in combination with front calipers containing sintered pads.

1002



CC

FROM → TO



NOTES



NOTES

...APRILIA

SCARABEO 200	200	2009	→		FDB2105		FDB2090
SCARABEO 200 / Class	200	2008	→		FDB2105		FDB2090
SPORTCITY 200	200	2004	→		FDB438		FDB2090
CLIMBER 240	240	1989	→ 1990		FDB697		FDB694
TRX 240 M	240	1989	→		FDB697		FDB697
TX 240	240	1985	→		FSB898		FSB898
AF1 250 REPLICIA	250	1990	→		FDB498		FDB108
ATLANTIC 250	250	2008	→		FDB2105		FDB2090
LEONARDO 250	250	1999	→		FDB438		FDB2090
MX 250	250	1983	→		FDB207		FSB901
MX 250	250	1984	→		FSB904		FSB904
MX 250	250	2000	→		FSB901		FSB901
RS 250	250	1995	→ 1996	(x2)	FRP408		FDB207
RS 250	250	1997	→	(x2)	FRP408		FDB680
RS 250	250	1998	→	(x2)	FDB2042		FDB207
RX 250	250	1983	→		FDB207		FSB833
RX 250	250	1984	→		FSB904		FSB904
RX 250	250	1986	→		FDB207		FSB909
RX 250	250	2000	→		FSB901		FSB901
SCARABEO 250 ie	250	2007	→		FDB2105		FDB2090
SPORTCITY 250 ie	250	2007	→	(x2)	FDB438		FDB2090
TUAREG 250	250	1984	→				FSB911
TUAREG 250 RALLY	250	1986	→		FDB438		FSB909
TUAREG 250 RALLY (Mozzi Rimoldi)	250	1986	→		FDB438		FSB834
CLIMBER 275	275	1989	→ 1992		FDB697		FDB694
CLIMBER 280	280	1993	→		FDB2107		FDB2107
ATLANTIC 300	300	2010	→		FDB2105		FDB2090
LEONARDO 300	300	2004	→		FDB438		FDB2090
SCARABEO 300 Class / Special	300	2010	→		FDB2105		FDB2090
SPORTCITY 300 / Cube Black line	300	2008	→	(x2)	FDB438		FDB2090
TX 300	300	1985	→		FSB898		FSB898
TX 300	300	1986	→		FRP405		FSB898
TX 300 M	300	1986	→		FRP405		FSB898
TX 311 M	312	1987	→		FRP405		FSB898
TX 312 M	312	1988	→		FRP405		FRP405
TXR 312 M	312	1988	→		FRP405		FRP405
TRIAL 320	320	1981	→		FSB898		FSB898
ETX 350	350	1986	→		FDB438		FDB207
ETX 350 AE	350	1987	→		FDB438		FDB207
TUAREG 350	350	1987	→		FDB438		FDB207
TUAREG 350 WIND	350	1987	→ 1988		FDB438		FDB207
TUAREG 350 WIND	350	1989	→		FDB499		FDB314
TUAREG 350 WIND	350	1990	→		FDB529		FDB314
ATLANTIC Sprint 400	400	2007	→		FDB2105		FDB2090
SCARABEO 400 ie	400	2007	→	(x2)	FDB438		FDB2090
MXV 450	450	2008	→		FDB892		FDB2139
RXV 450 / Rally / Merriman Replica	450	2005	→		FDB892		FDB2162
SX 450	450	2008	→		FDB2123		FDB2162
SXV 450	450	2005	→ 2007		FDB2245		FDB2162
SXV VD8 450/550 Replica	450	2007	→		FDB2007		FDB2162
ATLANTIC (ARECIFE) 500 (left)	500	2001	→		FDB438		
ATLANTIC (ARECIFE) 500 (right)	500	2001	→		FDB2146		FDB2090
ATLANTIC Sprint 500	500	2007	→		FDB2105		FDB2090
SCARABEO 500	500	2003	→	(x2)	FDB2060		FDB2090
SCARABEO 500	500	2008	→	(x2)	FDB438		FDB2090
SCARABEO 500 Class	500	2010	→	(x2)	FDB438		FDB2090
RXV 550	550	2005	→		FDB892		FDB2162
SX 550	550	2008	→		FDB2123		FDB2162
SXV 550	550	2005	→		FDB2245		FDB2162
ETX 600	600	1986	→		FDB438		FDB207
PEGASO 600	600	1990	→		FDB2006		FDB828
TUAREG 600 WIND	600	1989	→	(x2)	FDB314		FDB314
TUAREG 600 WIND	600	1990	→		FDB529		FDB828
TUAREG 600 WIND PARIS-DAKAR	600	1989	→		FDB529		FDB828
TUAREG 600 WIND.	600	1989	→		FDB529		FDB828
MOTO 650 6.5	650	1995	→ 1999		FDB2006		FDB828
PEGASO 650	650	1991	→ 1995		FDB782		FDB828
PEGASO 650	650	1996	→ 2000		FDB2006		FDB828
PEGASO 650 TRAIL	650	2007	→		FDB2006		FDB2005
PEGASO 650 / I.E.	650	2001	→ 2004		FDB2006		FDB2005
PEGASO 650 Factory	650	2008	→		FDB2245		FDB2005
PEGASO 650 STRADA	650	2004	→		FDB2042		FDB2005

* It is recommended that in those applications where sintered pads are supplied as Original Equipment, replacement pads should also be of sintered composition.

** To avoid brake imbalance sintered pads fitted in rear calipers should only be used in combination with front calipers containing sintered pads.



CC FROM → TO



NOTES



NOTES

...APRILIA

STARCK 650	650	1996	→		FDB2006	FDB828
SL 750 SHIVER ABS / GT	750	2008	→	(x2)	FDB2216	FDB2005
SMV 750 Dorsoduro (NO ABS/ABS)	750	2008	→	(x2)	FDB2216	FDB2005
SMV 750 Dorsoduro FACTORY	750	2010	→	(x2)	FDB2099	FDB2005
NA 850 MANA ABS / GT	850	2008	→	(x2)	FDB2216	FDB2060
SRV 850 ABS ATC	850	2013	→	(x2)	FDB2018	FDB2142
ETV 1000 CAPONORD / RALLY RAID	1000	2001	→	(x2)	FDB2006	FDB2074
RST FUTURA 1000	1000	2001	→		FDB2042	FDB2018
RSV 1000 MILLE	1000	1997	→ 2000	(x2)	FDB2042	FDB2074
RSV 1000 MILLE	1000	2001	→	(x2)	FDB2120	FDB2074
RSV 1000 MILLE R	1000	2001	→ 2003	(x2)	FDB2120	FDB2074
RSV 1000 MILLE R / FACTORY / TUONO RACING	1000	2004	→	(x2)	FDB2120	FDB2074
RSV 1000 MILLE R / SP	1000	2000	→	(x2)	FDB2042	FDB2074
RSV 1000 TUONO	1000	2004	→	(x2)	FDB2042	FDB2074
RSV4 Factory /APRC SE /R	1000	2008	→	(x2)	FDB2260	FDB2074
RSV4 Factory /APRC SE /R (Racing version pad)	1000	2008	→	(x2)	FDB2218	FDB2074
RSV4 Factory APRC ABS (Racing version pad)	1000	2013	→	(x2)	FDB2218	FDB2074
RSV4 Factory APRC ABS (Road version pad)	1000	2013	→	(x2)	FDB2260	FDB2074
RSV4 R APRC ABS (Racing version pad)	1000	2013	→	(x2)	FDB2218	FDB2074
RSV4 R APRC ABS (Road version pad)	1000	2013	→	(x2)	FDB2260	FDB2074
SL 1000 FALCO	1000	2000	→	(x2)	FDB2042	FDB2074
TUONO V4 R	1000	2011	→ 2012	(x2)	FDB2099	FDB2074
TUONO V4 R APRC	1000	2011	→ 2013	(x2)	FDB2099	FDB2074
TUONO V4 R APRC ABS	1000	2013	→	(x2)	FDB2265	FDB2074
CAPONORD 1200	1200	2013	→	(x2)	FDB2265	FDB2005
CAPONORD 1200 Rally	1200	2015	→	(x2)	FDB2265	FDB2005
DORSODURO 1200 / ABS / ATC	1200	2011	→	(x2)	FDB2099	FDB2005

ASPES

CS 50 NAVAHO	50	1970	→ 1981		FSB907	FSB907
CS 75 NAVAHO	50	1967	→ 1982		FSB898	FSB901
CM1 80	80	1967	→ 1982		FSB898	FSB898
DUMA 125	125		→		FDB205	FSB901
HOPI 125	125	1972	→ 1982		FSB898	FSB901
JUMA 125	125	1975	→ 1979		FSB898	FSB901

ATALA

BYTE 50	50	1996	→		FDB680	FSB792
CAROSSELLO 50	50	1997	→		FDB680	FSB788
HACKER 50	50	1996	→		FDB680	FSB777
HACKER 50	50	2000	→		FDB680	FSB792
SCHEGGIA 50	50	1998	→		FDB680	FSB777

ATK (USA)

all models 1984-85		1984	→ 1985		FDB207	FSB816
all models 1986		1986	→		FDB207	FDB213
all models 1987		1987	→		FDB207	FRP405
all models 1988		1988	→		FDB498	FDB213
all models 1989-93		1989	→ 1993		FDB498	FDB697
all models 1994-95		1994	→ 1995		FDB497	FDB497
all models 1996-01		1996	→ 2001		FDB2018	FDB2005
500 / 600 Dirt Track	500	1998	→ 1999		FRP408	FDB2005
560	560	1984	→ 1985		FDB207	
560	560	1986	→ 1987		FDB207	FDB213

BENELLI

491 50 GT	50	1997	→		FDB680	FSB788
491 50 SPORT - RACING	50	1997	→		FDB680	FDB680
BOBO 50	50	1978	→		FSB902	FSB902
CITY BIKE 50	50		→		FSB877	FSB877
DEVIL 50	50	1992	→		FDB498	FDB436
EXPORT 3 V 50	50	1979	→		FSB902	FSB902
G 2 50	50	1979	→		FSB902	FSB902
G 2 50 ELLE	50	1979	→		FSB908	FSB908
K2 50 all models	50	1998	→ 2001		FDB680	FSB788

* It is recommended that in those applications where sintered pads are supplied as Original Equipment, replacement pads should also be of sintered composition.

** To avoid brake imbalance sintered pads fitted in rear calipers should only be used in combination with front calipers containing sintered pads.



CC FROM → TO



NOTES



NOTES

...BENELLI

MASTER 4 50	50	1995	→		FDB436		
MOTORELLA 50	50	1979	→		FSB902	FSB902	
NAKED 50	50	1998	→		FDB680		
PEPE 50/50 LX/Classic (7 Spoke Cast Wheel)	50	1999	→ 2013		FDB680	FSB788	
S 50	50	1981	→ 1987		FSB877	FSB837	
S 50 (tutti i modelli)	50	1987	→		FSB877	FSB837	
S 50 LUSO	50	1981	→ 1987		FSB877	FSB837	
SCOOTY 50	50		→		FSB877	FSB877	
SPRING 50	50	1992	→		FDB498	FDB436	
DEVIL 80	80	1995	→		FDB498	FDB436	
K2 100 BIPOSTO	100	1999	→		FDB680	FSB947	
125	125	1976	→		FDB207	FSB818	
125 2 C	125	1976	→ 1978		FDB207	FSB818	
125 2C Dual brakes	125	2000	→		FDB207	FSB818	
125 2T - 2 CSE	125	1976	→ 1978		FDB207	FSB818	
125 JARNO	125	1989	→		FDB498	FDB2081	
666 125	125	1998	→		FDB2042	FDB680	
ADIVA 125	125	1999	→		FDB680	FDB2115	
S 125 SCOOTER	125		→		FSB856	FSB856	
VELVET 125	125	1999	→ 2008		FDB680	FDB680	
Velvet 125 (13" Front Wheel/Touring)	125	2008	→ 2012		FDB677	FDB2090	
ADIVA 150	150	1999	→		FDB680	FDB2115	
VELVET 150	150	1999	→ 2008		FDB680	FDB680	
Velvet 150 (13" Front Wheel/Touring)	150	2008	→ 2012		FDB677	FDB2090	
250 4	250	1976	→		FDB207	FSB818	
250 C	250	1976	→ 1978		FDB207	FSB818	
250 TS	250	1976	→ 1978		FDB207	FSB818	
BN 251	250	2015	→			FDB2090	
BX Motard (250cc)	250	2012	→		FDB2018	FDB207	
Caffe Nero 250 Left	250	2008	→ 2011		FDB631	FDB2148	
Caffe Nero 250 Right	250	2008	→ 2011		FDB497		
VELVET 250	250	1999	→		FDB677	FDB2090	
254	254	1979	→		FDB213	FSB818	
BN 302	300	2015	→			FDB2212	
350	350	1983	→ (x2)		FDB207	FDB207	
350 4 CIL.	350	1978	→		FDB207	FSB818	
350 SPORT	350	1978	→		FDB207	FDB108	
350 SPORT II	350	1978	→		FDB207	FDB108	
350 T	350	1978	→		FDB207	FDB108	
BX 449 Motard	449	2010	→		FDB2120	FDB2005	
BX Cross (449cc)	449	2007	→ 2012		FDB2018	FDB2005	
500	500	1978	→		FDB207	FDB108	
500 LS	500	1978	→		FDB207	FDB108	
500 QUATTRO	500	1976	→		FDB207	FSB818	
BX Enduro (505cc)	505	2008	→ 2012		FDB2018	FDB2005	
BX 570 Motard	570	2008	→ 2010		FDB2120	FDB2005	
BN 600GT	600	2015	→ (x2)		FDB2265	FDB2074	
BN 600i	600	2014	→ (x2)		FDB2265	FDB2074	
BN 600R	600	2014	→ (x2)		FDB2265	FDB2074	
650	650	1982	→		FDB207	FDB108	
650 SPORT	650	1978	→		FDB207	FDB108	
650 T	650	1978	→		FDB207	FDB108	
2 UE 750	750	2009	→ 2010 (x2)		FDB2042	FDB2074	
750 SEI	750	1976	→ (x2)		FDB108		
Cafe Racer 899	899	2010	→ 2012 (x2)		FDB2120	FDB2074	
Century Racer 899	899	2011	→ 2012 (x2)		FDB2120	FDB2074	
TORNADO NAKED TRE 899 / S	899	2007	→ 2011 (x2)		FDB2042	FDB2074	
TRE 899 K	899	2007	→ 2012 (x2)		FDB2042	FDB2074	
900 SEI	900	1978	→ (x2)		FDB108	FDB204	
900 TORNADO	900	2000	→ (x2)		FDB2042	FDB2074	
TORNADO TRE 900 / RS / Naked Sport Evo	900	2002	→ (x2)		FDB2120	FDB2074	
TNT 1130	1130	2005	→ (x2)		FDB2042	FDB2074	
TNT 1130 Cafe Racer	1130	2006	→ 2012 (x2)		FDB2120	FDB2074	
TNT 1130 R	1130	2011	→ (x2)		FDB2120	FDB2074	
TNT 1130 Sport/Sport Evo	1130	2005	→ 2009 (x2)		FDB2120	FDB2074	
TNT 1130 Titanium	1130	2005	→ (x2)		FDB2120	FDB2074	
TNT R 160	1130	2010	→ (x2)		FDB2120	FDB2074	
Tornado Century Racer	1130	2011	→ (x2)		FDB2120	FDB2074	
Tornado TRE 1130 (Radial caliper)	1130	2006	→ 2010 (x2)		FDB2120	FDB2074	
TRE-K 1130	1130	2007	→ 2012 (x2)		FDB2042	FDB2074	
TRE-K 1130 Amazonas	1130	2007	→ 2012 (x2)		FDB2042	FDB2074	

* It is recommended that in those applications where sintered pads are supplied as Original Equipment, replacement pads should also be of sintered composition.

** To avoid brake imbalance sintered pads fitted in rear calipers should only be used in combination with front calipers containing sintered pads.



CC

FROM → TO



NOTES



NOTES

BETA

ALP 50	50	1991 →	FDB436	FDB697
ANDY 50 alloy wheels	50	1978 →	FSB902	FSB902
ANDY 50 spoke wheels	50	1978 →	FSB902	FSB902
ARK 50 all models	50	1996 →	FDB680	FDB680
B12 50	50	1973 →	FSB902	FSB902
CH 50	50	1996 →	FDB680	FSB788
CHRONO 50	50	1992 → 1994	FDB697	FSB788
CHRONO 50	50	1994 →	FDB697	FSB788
CHRONO 50 13	50	1994 →	FDB680	FSB788
CHRONO 50 502	50	1997 →	FDB680	FSB788
EIKON 50	50	1999 →	FRP405	FRP405
FOUR 50 AE	50	1987 →	FDB436	FSB907
FOUR 50 S	50	1987 →	FDB436	FSB907
FOUR TWIN 50	50	1988 →	FDB436	FSB907
KR 50	50	1987 →	FDB697	FDB624
KR 50 ADVENTURE	50	1987 →	FDB697	FDB624
M4 50	50	1983 →		FSB907
M6 50	50	1983 →		FSB907
MINICROSS 50 PRO RACE 12/10	50	2004 → 2006	FDB2127	FDB2127
Minitrial 50	50	2009 → 2012	FDB2127	
MIO 50	50	1979 →	FSB902	FSB902
MS 50	50	1980 →	FDB213	FSB907
MX 50 ENDURO	50	1992 →	FDB2107	FDB2107
MX4 50 Special	50	1970 →	FSB907	FSB907
MX6 50	50	1982 →	FSB898	FSB898
MX6 50 EXPORT	50	1977 →	FSB897	FSB897
Pro Race 50	50	2005 →	FRP405	FDB2127
PULMAN 50	50	1970 →	FSB910	FSB910
QUADRA 50	50	1995 →	FDB680	FSB788
R 150 (Minicross /4T/49cc)	50	2010 → 2012	FDB312	FDB694
REV 50	50	2000 →	FRP405	FRP405
RR 50 all models	50	1999 →	FDB706	FRP405
RR 50 Enduro	50	2004 → 2007	FDB677	FDB2206
RR 50 Enduro	50	2008 → 2012	FDB677	FDB2162
RR 50 Enduro Factory	50	2012 →	FDB677	FDB2162
RR 50 Enduro Racing	50	2009 → 2011	FDB677	FDB2162
RR 50 Enduro Standard	50	2009 → 2012	FRP405	FDB2162
RR 50 Motard (Spoke Wheel)	50	2009 → 2012	FDB677	FDB2206
RR 50 Motard Skull	50	2011 →	FDB677	FDB2162
RR 50 Motard Standard	50	2009 → 2012	FRP405	FDB2162
RR 50 PRO RACE	50	1998 →	FDB706	FRP405
RR 50 Standard	50	2005 → 2008	FDB677	FRP405
RR Motard 50 Track (Cast Wheels)	50	2008 → 2012	FDB677	FDB2162
RX 50	50	1984 →		FSB768
SCRAMBLER 50 4 M	50	1982 →	FSB907	FSB907
SQUIRREL 50	50	1983 →	FDB213	FSB907
SUPERMOTARD 50	50	2000 →	FRP405	FRP405
SUPERTRIAL 50	50	1992 →	FRP405	FRP405
TECHNO 50	50	1996 →	FRP405	FRP405
TEMPO 50	50	1993 →	FDB697	FSB788
TR 50	50	1980 → 1986	FSB907	FSB897
TR 50	50	1987 → 1988	FSB898	FSB898
TR 50 (SPAIN)	50	1989 →	FRP405	FSB898
EVO 80	80	2009 → 2012	FDB2109	FDB2267
EVO 80 Junior	80	2009 → 2012	FRP405	FRP405
REV 80	80	2000 → 2007	FRP405	FRP405
REV 80	80	2008 →	FDB2109	FDB697
TR 80	80	1980 →	FSB907	FSB897
125 6V	125	1974 →	FSB901	FSB901
125 SCRAMBLER	125	1982 →	FSB901	FSB876
ALP 125 4T	125	1999 → 2003	FRP405	FRP405
ALP 125 4T	125	2005 → 2012	FDB677	FDB2206
CR 125	125	1982 →	FSB901	FSB901
CR 125	125	2000 →	FSB897	FSB901
CUSTOM 125	125	1982 →	FDB205	FSB876
EIKON 125	125	1999 →	FDB2081	FDB2090
EVO 125 2T	125	2009 → 2011	FDB2109	FDB2127
EVO 125 2T	125	2012 →	FDB2109	FDB2267
JONATHAN 125	125	1999 → 2001	FRP408	FDB2005
JONATHAN 125	125	2002 → 2005	FRP408	FDB828
KR 125	125	1986 →	FDB207	
KR 125 AFRIKA	125	1987 →	FDB207	

* It is recommended that in those applications where sintered pads are supplied as Original Equipment, replacement pads should also be of sintered composition.

** To avoid brake imbalance sintered pads fitted in rear calipers should only be used in combination with front calipers containing sintered pads.



CC FROM → TO



NOTES



NOTES

...BETA

R-125 (Pit Bike) / R125 Minimoto 4T	125	2008	→	FDB636	FRP405
RC 125	125	1976	→	FSB897	FSB901
RC 125 (liquid cooled)	125	1981	→	FSB901	FSB901
RC 125 EXPORT ASPIRATO	125	1980	→	FSB901	FSB901
RE 125 4T Enduro	125	2009	→ 2010	FDB677	FDB2162
RE 125 4T Enduro	125	2010	→ 2012	FRP405	FDB2162
Rev 3 125	125	2000	→ 2005	FDB2109	FDB2109
Rev 3 125	125	2006	→ 2008	FDB2109	
RR 125 4T Enduro (A/C)	125	2009	→ 2011	FDB677	FDB2162
RR 125 4T Enduro (L/C)	125	2011	→	FDB677	FDB2162
RR 125 4T Motard (A/C - Spoke Wheel)	125	2008	→ 2012	FDB677	FDB2162
RR 125 4T Motard (L/C - Cast Wheel)	125	2011	→ 2012	FDB677	FDB2162
RX 125	125	1983	→		FSB898
RX 125	125	1984	→		FSB768
TR 125	125	1980	→ 1985	FSB898	FSB898
TR 32 125	125	1986	→	FDB436	FSB898
TR 33 125	125	1987	→	FDB436	FSB898
TR 34 125	125	1988	→	FDB436	FDB697
TR 35 125	125	1990	→	FRP405	FRP405
TRIAL 125	125	1997	→	FRP405	
Urban 125	125	2008	→ 2012	FDB677	FDB2206
Urban 125 Special	125	2009	→ 2012	FDB677	FDB2162
EIKON 150	150	1999	→	FDB2081	FDB2090
ALP 200 4T	200	2005	→ 2012	FDB677	FDB2206
ALP 200 4T	200	2000	→ 2003	FRP405	FRP405
EVO 200 2T	200	2009	→ 2012	FDB2109	FDB2267
Rev 3 200	200	2006	→ 2008	FDB2109	
URBAN 200	200	2008	→ 2012	FDB677	FDB2206
Urban 200 Special	200	2009	→ 2012	FDB677	FDB2162
ALP 240	240	1991	→ 1995	FDB436	
ALP 240	240	1996	→	FRP405	FDB207
SUPERTRIAL 240	240	1992	→	FRP405	
TR 240	240	1980	→ 1983	FSB898	FSB898
TR 32 240	240	1984	→ 1985	FSB898	FSB898
TR 32 240 (mozzo ant autocentrante)	240	1984	→ 1985	FSB899	FSB898
TR 33 240	240	1986	→ 1988	FDB436	FSB898
TR 33 TREKKING 240	240	1988	→	FDB436	FSB905
TREKKING 240	240	1987	→	FSB898	FSB898
ALP 250	250	1997	→	FRP405	FRP405
CR - RV 250	250	1981	→	FSB901	FSB852
CR 250	250	1983	→	FDB207	FSB901
CUSTOM 250	250	1982	→	FDB205	FSB876
Evo 250 (2T)	250	2009	→ 2012	FDB2109	FDB2267
Evo 250 (4T)	250	2009	→ 2012	FDB2109	FDB2267
GS - RV 250	250	2000	→	FSB901	FSB901
KR 250 AFRIKA	250	1986	→	FDB207	
KR 250 RALLY	250	1987	→	FDB207	
REV 3 250	250	2000	→ 2004	FDB2109	FDB2109
Rev 3 250	250	2005	→ 2008	FDB2109	
REV 3 250 / Long Range	250	2008	→	FDB2109	FDB889
REV 4T 250	250	2007	→ 2008	FDB2109	FDB697
RR 250 2T Enduro	250	2015	→	FDB892	FDB2162
RR 250 4T Enduro	250	2005	→ 2007	FDB892	FDB2162
RR 300 2T Enduro	250	2015	→	FDB892	FDB2162
TECHNO 250	250	1996	→	FRP405	FRP405
TR 34 250	250	1986	→ 1988	FDB436	FDB697
TR 34 250 (SPAIN)	250	1989	→	FDB436	FDB436
TR 34 250 PROFESSIONAL	250	1989	→	FDB436	FDB697
TR 35 250	250	1990	→ 1991	FRP405	FRP405
ALP 260	260	1990	→	FDB436	
SYNT 260	260	1992	→	FDB2107	
TR 34 260	260	1987	→ 1988	FDB436	FDB697
TR 35 260	260	1989	→ 1991	FDB436	
ZERO 260 GARA - TECHNO - SYNT	260	1993	→	FDB2107	
ZERO 260 SYNT	260	1989	→ 1992	FDB2107	
Rev 3 270	270	2005	→ 2008	FDB2109	
EVO 290 2T	290	2009	→	FDB2109	FDB2127
EVO 300 2T/4T	300	2009	→ 2012	FDB2109	FDB2267
XTRAINER 300	300	2015	→	FDB892	FDB2162
ALP 4.0 350	350	2004	→	FDB677	FDB828
ALP 4.0 350 4T	350	2005	→ 2012	FDB677	FDB2206
CR - RV 350	350	1980	→	FSB901	FSB852

* It is recommended that in those applications where sintered pads are supplied as Original Equipment, replacement pads should also be of sintered composition.

** To avoid brake imbalance sintered pads fitted in rear calipers should only be used in combination with front calipers containing sintered pads.



CC FROM → TO



NOTES



NOTES

...BETA

EURO / JONATHAN 350	350	2003	→	2006	FRP408	FDB383
EURO 350	350	1999	→	2001	FRP408	FDB2005
EURO 350	350	2002	→		FRP408	FDB828
GS -RV 350	350	1980	→		FSB901	FSB852
M4 Supermotard	350	2006	→	2012	FDB2185	FDB2206
M4 Supermotard 350	350	2004	→	2006	FDB2185	FDB828
RR 350 4T Enduro	350	2011	→		FDB892	FDB2162
RR 350 4T Enduro	350	2012	→		FDB892	FDB2162
RR 350 EFI 4T Enduro	350	2015	→		FDB892	FDB2162
RR 390 4T Enduro	390	2015	→		FDB892	FDB2162
RR 400 4T Enduro	400	2005	→		FDB892	FDB2162
RR 390 4T Enduro	430	2015	→		FDB892	FDB2162
RR 450 4T Cross Country	450	2012	→		FDB892	FDB2162
RR 450 4T Enduro	450	2005	→	2013	FDB892	FDB2162
RR 480 4T Enduro	480	2015	→		FDB892	FDB2162
GS - RV 500	500	1984	→		FDB207	FSB852
RR 498 4T Enduro	500	2012	→		FDB892	FDB2162
RR 520 4T Enduro	520	2010	→	2011	FDB892	FDB2162
RR Enduro 525 4T	525	2005	→	2009	FDB892	FDB2162

BIMOTA

YB 7 400	400	1989	→	(x2)	FRP408	FDB207
V DUE 500	500	1997	→	(x2)	FRP408	FDB207
BELLARIA 600 SPORT	600	1991	→	(x2)	FRP408	FDB108
YB 9 600 SRI	600	1997	→	(x2)	FRP408	FDB207
SUPERMONO 650	650	1997	→	(x2)	FRP408	FDB207
SB 7 750	750	1996	→	(x2)	FRP408	FDB207
YB 4 750	750	1989	→	(x2)	FRP408	FDB207
TESI 851 1D	851	1991	→	(x2)	FRP408	FDB108
DB 1 - 2 900	900	1992	→	(x2)	FRP408	FDB207
MANTRA 900	900	1997	→	(x2)	FRP408	FDB207
DB 2 SR 904	904	1994	→	2000 (x2)	FRP408	FDB207
DB 4 904	904	1998	→	1999 (x2)	FRP408	FDB207
TESI 906 1D	906	1991	→	(x2)	FRP408	FDB108
DB6 Delirio (992cc) Ducati engine	992	2007	→	(x2)	FDB2120	FDB2074
SB8K Gobert (Suzuki Engine) (996cc)	996	2006	→	(x2)	FDB2042	FDB207
1000 all models ->1988	1000	2000	→	(x2)	FDB108	FDB108
DB5 (All models)	1000	2006	→	2007 (x2)	FDB2120	FDB2074
SB 3 1000	1000	1983	→	(x2)	FDB108	FDB108
SB 8 1000 R	1000	1998	→	(x2)	FDB2042	FDB207
YB 10 1000 BIPOSTO	1000	1992	→	(x2)	FRP408	FDB207
YB 11 1000	1000	1997	→	(x2)	FRP408	FDB207
YB 6 1000	1000	1989	→	(x2)	FRP408	FDB207
YB 8 1000 E	1000	1990	→	(x2)	FRP408	FDB207
YB 8 1000 E.I. FURANO	1000	1990	→	(x2)	FRP408	FDB207
YB 8 FURANO 1000	1000	1992	→	(x2)	FRP408	FDB207
YB 10 DIECI 1002	1002	1991	→	(x2)	FRP408	FDB108
DB5R	1078	2006	→	2007 (x2)	FDB2120	FDB2074
DB5R/S (1078cc)	1078	2008	→	2009 (x2)	FDB2120	FDB207
DB6 (1078cc)	1078	2008	→	2009 (x2)	FDB2120	FDB207
DB6 Elirio	1078	2006	→	(x2)	FDB2120	FDB2074
DB6/R (1078cc)	1078	2008	→	2009 (x2)	FDB2120	FDB207
Tesi-3D (1078cc)	1078	2009	→	(x2)	FDB2120	FDB207
DB7 (1098cc)	1098	2008	→	(x2)	FDB2120	FDB2074
DB7 Oronero Millenovantotto	1098	2009	→	(x2)	FDB2260	FDB2074
DB7 Oronero Millenovantotto	1098	2009	→	(x2)	FDB2218	FDB2074
DB7 (1099cc)	1099	2009	→	(x2)	FDB2260	FDB207
DB6 (1100cc)	1100	2008	→	(x2)	FDB2120	FDB2074
DB6R Delirio (1100cc)	1100	2008	→	(x2)	FDB2120	FDB2074
SB 6 1100	1100	1997	→	(x2)	FRP408	FDB207
TEST 3D 1100	1100	2009	→	(x2)	FDB2120	FDB2074
DB8 (1198cc)	1198	2010	→	(x2)	FDB2260	FDB2074

BMW

C1 125 Scooter	125	2000	→	2003	FDB2006	FDB2005
C1 200 Scooter	200	2001	→	2003	FDB2006	FDB2005
G450 X	450	2008	→		FDB2018	FDB2165
R 45 450	450	1978	→	1981 (x2)	FDB108	FSB700
R 45 450	450	1981	→	1985 (x2)	FDB108	FSB701

* It is recommended that in those applications where sintered pads are supplied as Original Equipment, replacement pads should also be of sintered composition.

** To avoid brake imbalance sintered pads fitted in rear calipers should only be used in combination with front calipers containing sintered pads.

1008



CC FROM → TO



NOTES



NOTES

...BMW

R 50/5 500	500	1969	→	1975	FSB806	FSB700
C 600 SPORT	600	2012	→	(x2)	FDB570	FDB664
R 60/5 600	600	2000	→		FSB806	FSB700
R 60/6 600	600	2000	→		FSB806	FSB700
R 60/7 600	600	1976	→	1978	FDB155	FSB700
C 650 GT	650	2012	→	(x2)	FDB570	FDB664
F 650 / 650 ST	650	1994	→	2000	FDB2006	FDB2005
F 650 GS / CS	650	2001	→		FDB2006	FDB2005
F 650 SCARVER	650	2002	→		FDB2006	FDB2005
G 650 X Challenge / X Country	650	2007	→		FDB2006	FDB2005
G 650 X Moto	650	2008	→		FDB2042	FDB2005
G650 GS	650	2011	→		FDB2006	FDB2005
R 65 650	650	1981	→	1989 (x2)	FDB108	FDB108
R 65 650	650	1989	→	2000 (x2)	FDB108	FSB701
R 65 650	650	2000	→		FDB108	FSB700
R 65 650 GS	650	1987	→	1988	FDB108	FSB701
R 65 650 GS	650	1989	→	1992 (x2)	FDB204	FSB701
R 65 650 LS	650	1981	→	1985 (x2)	FDB108	FSB701
R 65 650 LS	650	2000	→		FDB108	FSB804
F700 GS	700	2013	→	(x2)	FDB2006	FDB2005
K 75 750	750	1984	→	1988 (x2)	FDB108	FSB805
K 75 750	750	1990	→	1996 (x2)	FDB736	FDB108
K 75 750 (ABS caliper)	750	1991	→	1996 (x2)	FDB736	FDB108
K 75 750 RT	750	1991	→	1993 (x2)	FDB736	FDB108
K 75 750 RT	750	1994	→	2000 (x2)	FDB736	FDB108
K 75 750 S	750	1985	→	1988 (x2)	FDB108	FDB108
K 75 750 S	750	1988	→	1993 (x2)	FDB108	FDB108
K 75 750 S	750	1994	→	2000 (x2)	FDB204	FDB204
R 75/5 750	750	2000	→		FSB806	FSB700
R 75/6 750	750	1975	→	1979 (x2)	FDB155	FSB700
F800 GS	800	2008	→	(x2)	FDB2006	FDB2005
F800 GS ADV	800	2012	→	(x2)	FDB2006	FDB2005
F800 GT	800	2013	→	(x2)	FDB2042	FDB2005
F800 R	800	2015	→	(x2)	FDB2265	FDB2005
F800 S / ST / R	800	2007	→	(x2)	FDB2042	FDB2005
R 80 800 all models	800	1977	→	1981	FDB155	FSB700
R 80 800 all models	800	1982	→	1984 (x2)	FDB108	FSB701
R 80 800 all models	800	1985	→	1989 (x2)	FDB108	FSB701
R 80 800 all models	800	1989	→	1995 (x2)	FDB736	FSB701
R 80 800 GS / PARIS-DAKAR	800	1981	→	1986	FDB108	FSB701
R 80 800 GS / PARIS-DAKAR	800	1987	→	1995	FDB204	FSB701
R 80 800 R ROADSTER	800	1993	→	1994	FDB2050	FDB736
R 80 RT	800	1990	→	1994 (x2)	FDB204	FSB701
R 850 C	850	1999	→	2000 (x2)	FDB2050	FDB2039
R 850 GS	850	1999	→	2000 (x2)	FDB2050	FDB2039
R 850 R	850	2001	→	(x2)	FDB2124	FDB2039
R 850 R ROADSTER	850	1995	→	2000	FDB108	FDB2039
R 850 RT	850	1998	→	2001 (x2)	FDB2050	FDB2005
R 850 RT	850	2002	→	2003 (x2)	FDB2125	FDB2039
R 90 900 S	900	1973	→	1976 (x2)	FDB155	FSB700
R 90/6 900	900	1973	→	1976	FDB155	FSB700
HP4 1000 (K42) - Racing version pad	1000	2013	→	(x2)	FDB2218	FDB2005
HP4 1000 (K42) - Road version pad	1000	2013	→	(x2)	FDB2260	FDB2005
K 1 1000	1000	1989	→	1993 (x2)	FDB2050	FDB108
K 100 1000 all models	1000	2000	→	(x2)	FDB108	FDB108
K 100 1000 LT	1000	1987	→	1988 (x2)	FDB108	FDB108
K 100 1000 LT	1000	1988	→	1992 (x2)	FDB736	FDB108
K 100 1000 RS	1000	1983	→	1988 (x2)	FDB108	FDB108
K 100 1000 RS	1000	1988	→	1989 (x2)	FDB736	FDB108
K 100 1000 RS 16 VALVES	1000	1990	→	1992 (x2)	FDB2050	FDB108
K 100 1000 RT	1000	1983	→	1988 (x2)	FDB108	FDB108
K 100 1000 RT	1000	1988	→	1989 (x2)	FDB108	FDB108
R 100 1000 all models	1000	1981	→	1989 (x2)	FDB108	FDB108
R 100 1000 all models	1000	1981	→	1989 (x2)	FDB108	FSB701
R 100 1000 all models	1000	2000	→	(x2)	FDB155	FSB700
R 100 1000 GS / PARIS-DAKAR	1000	1987	→	1994	FDB204	FSB701
R 100 1000 R	1000	1991	→	1995 (x2)	FDB2050	FSB863
R 100 1000 R ROADSTER - MYSTIC	1000	1993	→	1996 (x2)	FDB736	FSB863
R 100 1000 RS - RT - CS	1000	1981	→	1988 (x2)	FDB108	FDB108
R 100 1000 RT	1000	1991	→	1995 (x2)	FDB108	FSB863
S1000 R Naked (K47)	1000	2014	→	(x2)	FDB2255	FDB2005
S1000 RR	1000	2015	→	(x2)	FDB2255	FDB2005

* It is recommended that in those applications where sintered pads are supplied as Original Equipment, replacement pads should also be of sintered composition.

** To avoid brake imbalance sintered pads fitted in rear calipers should only be used in combination with front calipers containing sintered pads.



CC FROM → TO



NOTES



NOTES

...BMW

S1000 RR (K46)	1000	2010	→	2014	(x2)	FDB2255	FDB2005
S1000 XR	1000	2015	→		(x2)	FDB2265	
K 1100 LT (ABS)	1100	1992	→	1993	(x2)	FDB2050	FDB736
K 1100 RS (ABS and NOT)	1100	1994	→	1999	(x2)	FDB2050	FDB736
K 1100 RT (ABS)	1100	1994	→	1999	(x2)	FDB2050	FDB736
R 1100 GS (ABS)	1100	1994	→	1999	(x2)	FDB2050	FDB2039
R 1100 R ROADSTER	1100	1995	→	2000	(x2)	FDB2050	FDB2039
R 1100 RS (ABS)	1100	1994	→	2001	(x2)	FDB2050	FDB108
R 1100 RT (ABS)	1100	1995	→	2001	(x2)	FDB2050	FDB2039
R 1100 S (no ABS)	1100	2001	→		(x2)	FDB2125	FDB2039
R 1100 S ABS	1100	2001	→		(x2)	FDB2124	FDB2039
R 1150 GS	1150	1998	→	2001	(x2)	FDB2050	FDB2039
R 1150 GS	1150	2001	→		(x2)	FDB2050	FDB2039
R 1150 GS ADVENTURE	1150	2003	→		(x2)	FDB2125	FDB2039
R 1150 R / ROCKSTER	1150	2001	→		(x2)	FDB2124	FDB2039
R 1150 R ROADSTER	1150	2001	→		(x2)	FDB2124	FDB2039
R 1150 RS / RT	1150	2002	→		(x2)	FDB2125	FDB2039
R 1150 RT	1150	2001	→		(x2)	FDB2125	FDB2039
R nineT	1170	2014	→		(x2)	FDB2265	FDB2018
HP2 Enduro 1200	1200	2007	→			FDB2006	FDB2039
HP2 Megamoto 1200	1200	2008	→		(x2)	FDB2125	FDB2039
HP2 Sport 1200 (Racing version pad)	1200	2008	→		(x2)	FDB2218	FDB2039
HP2 Sport 1200 (Road version pad)	1200	2008	→		(x2)	FDB2260	FDB2039
K 1200 GT	1200	2003	→	2007	(x2)	FDB2125	FDB108
K 1200 GT	1200	2007	→		(x2)	FDB2125	FDB2039
K 1200 LT	1200	1999	→	2001	(x2)	FDB2050	FDB2102
K 1200 LT	1200	2001	→		(x2)	FDB2125	FDB2102
K 1200 RS	1200	1997	→	2001	(x2)	FDB2050	FDB108
K 1200 RS	1200	2002	→		(x2)	FDB2125	FDB108
K 1200 RT	1200	2008	→		(x2)	FDB2124	FDB2039
K 1200 S / R	1200	2004	→		(x2)	FDB2125	FDB2039
K 1200 ST	1200	1999	→	2001	(x2)	FDB2050	FDB736
R 1200 C	1200	1997	→	2000	(x2)	FDB2050	FDB2039
R 1200 C CLASSIC	1200	2003	→		(x2)	FDB2124	FDB2039
R 1200 C MONTAUK	1200	2004	→		(x2)	FDB2124	FDB2039
R 1200 CL	1200	2003	→		(x2)	FDB2124	FDB2102
R 1200 GS & GS Adventure all models	1200	2004	→	2012	(x2)	FDB2125	FDB2039
R 1200 GS (K50)	1200	2013	→		(x2)	FDB2265	FDB2006
R 1200 GS Adventure (K51)	1200	2013	→		(x2)	FDB2265	FDB2006
R 1200 R	1200	2007	→		(x2)	FDB2124	FDB2039
R 1200 R	1200	2015	→		(x2)	FDB2265	FDB2006
R 1200 RS	1200	2015	→		(x2)	FDB2265	FDB2006
R 1200 RT	1200	2014	→		(x2)	FDB2265	FDB2006
R 1200 S / ST / RT	1200	2007	→		(x2)	FDB2125	FDB2039
K 1300 GT	1300	2009	→		(x2)	FDB2125	FDB2039
K 1300 R	1300	2009	→		(x2)	FDB2124	FDB2039
K 1300 S	1300	2009	→		(x2)	FDB2125	FDB2039
K 1300 S Motorsport	1300	2015	→		(x2)	FDB2125	FDB2039
K 1600 GT/ GTL/GTL E	1600	2011	→		(x2)	FDB2124	FDB2006

BRANDY-BRAS

BRANDY 50	50		→				FSB731
BRANDY 90	90		→				FSB731

BS VILLA

AX 50	50	1993	→			FDB636	FSB788
GZ 50	50	1993	→			FDB636	FSB788
ZX 50	50	1993	→			FDB625	FSB714

BSA

A 7 - A 10 125	125		→				FSB924
BANTAM D1 125	125		→			FSB917	FSB917
BANTAM D7 175	175		→			FSB916	FSB916
C15 250	250		→			FSB918	FSB918

* It is recommended that in those applications where sintered pads are supplied as Original Equipment, replacement pads should also be of sintered composition.

** To avoid brake imbalance sintered pads fitted in rear calipers should only be used in combination with front calipers containing sintered pads.



CC FROM → TO



NOTES



NOTES

BUELL

M2 Cyclone, S1 Lightning, S2-S3 Thunderbolt	1994 → 1997 (x2)	FDB847	FDB314
M2 Cyclone, S1 Lightning-Whitelighting, S3-S3T Thunderbolt, X1 Lightning	1998 → 2002	FDB2036	FDB531
M2 Cyclone, X1 Lightning	2000 → 2005	FDB2036	FDB531
Blast 500	500 2000 → 2007	FDB664	FDB531
Firebolt XB9R	984 2002 → 2007	FDB2145	FDB531
XB9 SX Lightning	984 2008 → 2010	FDB2145	FDB531
XB9S Lightning	984 2003 → 2004	FDB2145	FDB531
XB9SX Lightning CityX	984 2005 → 2009	FDB2145	FDB531
1125CR	1125 2009 → 2010	FDB2240	
1125R	1125 2008 → 2010	FDB2240	
XB12 R Firebolt	1200 2004 → 2008	FDB2145	FDB531
XB12 R Firebolt	1200 2009 → 2010	FDB2240	FDB531
XB12 S Lightning	1200 2004 → 2008	FDB2145	FDB531
XB12 S Lightning	1200 2009 → 2010	FDB2240	FDB531
XB12 SCG Lightning	1200 2006 → 2008	FDB2145	FDB531
XB12 SCG Lightning	1200 2009 → 2010	FDB2240	FDB531
XB12 Ss Lightning Long	1200 2006 → 2008	FDB2145	FDB531
XB12 Ss Lightning Long	1200 2009 → 2010	FDB2240	FDB531
XB12 STT Lightning	1200 → 2008	FDB2145	FDB531
XB12 X Ulysses	1200 2006 → 2010	FDB2145	FDB531
XB12 XT Ulysses	1200 2008 → 2010	FDB2145	FDB531

BULTACO

LOBITO 50	50 1998 →	FDB706	FRP405
LOBITO 75	75 1999 →	FDB706	FDB2107
LOBITO 125	125 →	FSB807	FSB807
PURSANG MK6 125	125 →	FSB807	
PURSANG MK7/8 125	125 →	FSB807	FSB857
PURSANG MK9 125	125 →	FSB807	FSB807
SHERPA 125	125 →	FSB807	FSB857
TRIAL 125	125 →	FSB807	FSB807
SHERPA 150	150 →	FSB807	FSB857
SHERPA 151	151 →	FSB807	FSB857
PURSANG MK6 175	175 →	FSB807	
PURSANG MK6 200	200 →	FSB807	
PURSANG MK9 200	200 →	FSB807	FSB807
FRONTERA 250 all models	250 →	FSB857	FSB857
LOBITO 250	250 →	FSB807	FSB807
PURSANG MK10 250	250 →	FSB807	FSB857
PURSANG MK11 250	250 →	FSB807	FSB857
PURSANG MK12 250	250 →	FSB807	FSB857
PURSANG MK6 250	250 →	FSB807	
PURSANG MK7/8 250	250 →	FSB807	FSB857
PURSANG MK9 250	250 →	FSB857	FSB857
SHERCO 250	250 1999 →	FRP405	FRP405
SHERPA 250 A	250 →	FSB807	FSB807
SHERPA 250 I	250 →	FSB807	FSB807
SHERPA 250 N	250 →	FSB807	FSB807
TRIAL 250	250 →	FSB807	FSB807
FRONTERA 350 all models	350 →	FSB857	FSB857
PURSANG MK6 350	350 →	FSB807	
SHERPA 350 A	350 →	FSB807	FSB807
SHERPA 350 I	350 →	FSB807	FSB807
SHERPA 350 N	350 →	FSB807	FSB807
TRIAL 350	350 →	FSB807	FSB807
PURSANG MK7/8 360	360 →	FSB807	FSB857
PURSANG MK10 370	370 →	FSB857	FSB857
PURSANG MK11 370	370 →	FSB857	FSB857
PURSANG MK12 370	370 →	FSB857	FSB857
PURSANG MK9 370	370 →	FSB857	FSB857

CAGIVA

BLUES 50	50 1989 →	FDB438	FDB694
CITY 50	50 1992 → 1994	FDB625	FSB788
CITY 50	50 1995 →	FDB2190	FSB788
COCIS 50	50 1988 →	FDB207	FDB694
COCIS 50	50 1989 →	FDB207	FDB207
CORSA 50	50 1998 →	FRP405	
CUCCILO 50	50 1997 →	FDB207	

* It is recommended that in those applications where sintered pads are supplied as Original Equipment, replacement pads should also be of sintered composition.

** To avoid brake imbalance sintered pads fitted in rear calipers should only be used in combination with front calipers containing sintered pads.



CC

FROM → TO



NOTES



NOTES

...CAGIVA

LUCKY EXPLORER 50	50	1988	→	FDB207	FDB694
MANTIS 50	50	1998	→	FRP405	FSB777
MITO 50	50	1998	→	FDB438	FRP405
NUVOLA 50	50	2000	→	FDB680	
PASSING 50	50	1995	→	FDB2190	
PROGRESS 50	50	1997	→	FRP405	FSB777
STELLA 50	50	1997	→	FDB2190	FDB2190
SUPERCITY 50	50	1993	→	FDB529	FDB207
W4 PRO ACTION 50	50	1994	→	FDB207	FDB694
WMX 50	50	1989	→	FDB499	FDB828
COCIS 80	80	1989	→	FDB207	FDB694
SUPERCITY 80	80	1994	→	FDB529	FDB207
W4 PRO ACTION 80	80	1994	→	FDB207	FDB694
N 90 ENDURO	90	1990	→	FDB499	FDB828
ALETTA 125 ELECTRA	125	1984	→	FDB694	FSB846
ALETTA 125 ELECTRA	125	1988	→	FDB694	FSB901
ALETTA 125 ELECTRA	125	2000	→	FDB694	FSB844
ALETTA 125 ELECTRA CLASSIC	125	1987	→	FDB694	FDB694
ALETTA 125 ORO S2	125	1986	→	(x2) FDB694	FDB694
BLUES 125	125	1988	→ 1992	FDB438	FDB207
BLUES 125	125	1993	→	FDB438	FDB694
CRUISER 125	125	1987	→	FDB499	FDB694
DAKAR 125	125	1985	→	FDB694	FSB848
ELEFANT 125	125	1984	→	FDB694	FSB846
ELEFANT 125	125	1985	→ 1986	FDB694	FSB848
ELEFANT 125	125	1987	→	FDB207	FSB848
ELEFANT 125	125	2000	→	FDB694	FSB844
FRECCIA 125	125	1987	→	FDB499	FDB207
FRECCIA 125 C10	125	1988	→	FDB529	FDB207
FRECCIA 125 C10 ANNIVERSARIO	125	1989	→	FDB529	FDB207
FRECCIA 125 C10 R	125	1988	→	FDB529	FDB207
FRECCIA 125 C12 R	125	1989	→ 1990	FDB529	FDB207
FRECCIA 125 C12 R	125	1991	→	FDB529	FDB207
FRECCIA 125 C9	125	1988	→	FDB499	FDB207
GP 125 S ALETTA ORO	125	1985	→	(x2) FDB694	FDB694
K7 125 ENDURO	125	1991	→	FDB529	FDB207
MITO 125	125	1991	→ 1992	FDB529	FDB207
MITO 125	125	1993	→	FRP408	FDB207
MITO 2 125 PRODUCTION RACER / Trofeo	125	1994	→	FRP408	FDB207
MITO 525SP	125	2007	→	(x2) FRP408	FDB207
N 125	125	1991	→	FDB529	FDB694
NUVOLA 125	125	2000	→	FDB680	
PASSING 125	125	1993	→ 1997	FDB2190	FSB704
PLANET 125	125	1998	→	FRP408	FDB207
RAPTOR 125	125	2003	→	FRP408	FDB207
ROADSTER 125	125	1994	→	FDB438	
SST 125	125	1981	→	FDB694	FSB901
SST 125 LOW RIDER	125	1983	→	FDB694	FSB858
SST 125 spoke wheel	125		→	FDB694	FSB858
SUPERCITY 125	125	1994	→	FDB529	FDB207
SXT 125	125	1982	→	FDB694	FSB898
TAMANACO 125	125	1989	→	FDB529	FDB694
W8 125 PRO ACTION	125	1992	→ 1995	FDB529	FDB207
W8 125 PRO ACTION	125	1996	→	FDB529	FDB694
WMX 125	125	2000	→	FSB898	FSB898
WMX 125 (mozzi Rimoldi)	125	1984	→	FSB833	FSB898
WMX 125 /3	125	2000	→	FSB898	FSB898
WMX 125 CROSS	125	1986	→	FDB207	FSB841
WMX 125 CROSS	125	1987	→	FDB499	FSB841
WR 125	125	1993	→	FDB497	FDB250
WRX 125	125	1982	→	FSB898	FSB898
WRX 125 /1	125	1983	→	FSB898	FSB898
WSXT 125 ALETTA ROSSA	125	1983	→	FDB694	FSB844
XRX 125	125	1980	→	FSB898	FSB898
XSST 125	125	1981	→	FDB694	FSB858
XSST 125	125	2000	→	FDB694	FSB858
XSST 125 ruota integrale	125	1978	→		FSB901
XWMX 125	125	1981	→	FSB898	FSB898
ELEFANT 200	200	1985	→	FDB694	FSB848
ELEFANT 200	200	1988	→	FDB694	FSB848
ELEFANT 200 A.E.	200	1986	→	FDB694	FSB848
ROADSTER 200	200	1996	→	FDB438	

* It is recommended that in those applications where sintered pads are supplied as Original Equipment, replacement pads should also be of sintered composition.

** To avoid brake imbalance sintered pads fitted in rear calipers should only be used in combination with front calipers containing sintered pads.



CC FROM -> TO



NOTES



NOTES

...CAGIVA

ALA BLU 250	250	1983	→		FDB207		FSB849
ALA ROSSA 250	250	1983	→		FDB207		FSB849
ALA VERDE 250	250	1983	→		FDB207		FSB853
MXR 250	250	2000	→		FSB901		FSB901
RX 250	250	2000	→		FSB901		FSB901
SST 250	250	1979	→ 1980		FSB849		FSB858
SST 250	250	1980	→		FDB207		FSB849
SST 250	250	2000	→		FSB849		FSB859
SSX 250	250	1982	→		FDB207		FSB853
ST 250	250	1982	→		FDB207		FSB853
SX 250	250	1982	→		FDB207		FSB849
SX 250	250	2000	→		FSB849		FSB849
WMX 250	250	2000	→		FDB207		FSB898
WMX 250 /1	250	1983	→		FDB207		FSB898
WMX 250 CROSS	250	1987	→		FDB499		FSB841
WRX 250	250	1983	→		FDB207		FSB898
WRX 250	250	2000	→		FSB898		FSB898
ALA AZZURRA 350	350	1983	→		FDB207		FSB853
ALA AZZURRA 350 GT	350	1987	→	(x2)	FDB207		FDB592
ALA BLU 350	350	1983	→		FDB207		FSB849
ALA ROSSA 350	350	1983	→		FDB207		FSB849
ALA ROSSA 350	350	1988	→		FDB207		FSB849
ALA VERDE 350	350	1983	→		FDB207		FSB853
DG 350 TRIAL	350	1983	→		FSB826		FSB826
ELEFANT 350	350	1985	→		FDB592		FDB207
SST 350	350	1981	→		FDB207		FSB849
SST 350	350	2000	→		FSB849		FSB849
SX 350	350	1979	→ 1982		FSB849		FSB849
SX 350	350	1982	→		FDB207		FSB853
SX 350	350	2000	→		FSB849		FSB849
T4 350 R - ER	350	1987	→		FDB207		FSB848
W 12 350	350	1992	→		FDB529		FDB207
MXR 400	400	2000	→		FSB901		FSB901
CANYON 500	500	1995	→		FDB497		FDB631
MXR 500	500	2000	→		FSB901		FSB901
T4 500 E - ER	500	1987	→		FDB207		FSB848
WMX 500	500	1984	→		FDB207		FSB845
CANYON 600	600	1996	→ 1997		FDB663		FDB631
RIVER 600	600	1994	→		FRP408		FDB207
ALA AZZURRA 650	650	1984	→	(x2)	FDB207		FDB207
ALA AZZURRA 650 GT	650	1987	→	(x2)	FDB438		FDB207
ELEFANT 650	650	1985	→		FDB592		FDB207
RAPTOR 650 / 650 i.e.	650	2001	→	(x2)	FDB2042		FDB2074
V RAPTOR 650	650	2001	→	(x2)	FDB2042		FDB2074
W 16 650	650	1993	→		FDB529		FDB207
DAKAR 750	750	1987	→		FDB592		FDB207
ELEFANT 750	750	1987	→		FDB592		FDB207
ELEFANT 750	750	1988	→ 1989		FDB592		FDB529
ELEFANT 750	750	1994	→		FDB663		FDB2018
ELEFANT 750 BIFARO	750	1990	→		FDB499		FDB706
900 CAT	900	1993	→	(x2)	FDB570		FDB664
CANYON 900 I.E.	900	1997	→		FDB663		FDB631
ELEFANT 900 I.E.- GT - AC	900	1991	→		FDB663		FDB631
GRAN CANYON 900	900	1999	→	(x2)	FDB570		FDB631
ELEFANT 906	906	1990	→		FDB663		FDB631
NAVIGATOR / NAVIGATOR T	1000	2000	→ 2005	(x2)	FDB570		FDB631
NAVIGATOR 1000	1000	2001	→	(x2)	FDB664		FDB631
RAPTOR 1000	1000	2000	→	(x2)	FDB2042		FDB2074
RAPTOR V 1000	1000	2001	→	(x2)	FDB2042		FDB2074
RAPTOR X3 1000	1000	2003	→	(x2)	FDB2120		FDB2074
RAPTOR XTRA 1000	1000	2003	→	(x2)	FDB2042		FDB2074

CANNONDALE

MX 400	400	2000	→ 2002		FDB892		FDB659
440 (All Enduro / MX Models)	440	2003	→		FDB892		FDB659
S 440 SUPERMOTO	440	2003	→		FDB892		FDB659

* It is recommended that in those applications where sintered pads are supplied as Original Equipment, replacement pads should also be of sintered composition.

** To avoid brake imbalance sintered pads fitted in rear calipers should only be used in combination with front calipers containing sintered pads.



CC FROM → TO



NOTES



NOTES

CASAL

50 CICLOMOTORI (diam.110)
50 CICLOMOTORI (diam.140)
RZ 50

50 →
50 →
50 →

FSB860
FSB861
FDB213

FSB860
FSB861

CCM

604 E 600 SPORT
604 E 600 SUPERMOTO
C 25 600
604 RS ROADSTER

600 1999 →
600 1999 →
600 1996 →
604 2000 →

FDB2018
FDB2018
FDB2018
FDB2018

FDB2005
FDB2005
FDB2005
FDB2005

CFMOTO

CF 150 Leader
CF 250 T - 5 Custom
650NK Left
650NK Right
650TK Left
650TK Right
650TR Left
650TR Right

150 2010 → 2012
250 2011 → 2012
650 2012 → 2014 (x2)
650 2012 → 2014 (x2)
650 2013 → 2014 (x2)
650 2013 → 2014 (x2)
650 2013 → 2014 (x2)
650 2013 → 2014 (x2)

FDB384
FDB781
FDB2048
FDB2049
FDB2048
FDB2049
FDB2048
FDB2049

FSB721
FDB383

FDB2012

FDB2012

FDB2012

CIMATTI

Gringo 50
Gringo 50

50 →
50 1985 →

FDB213
FDB436

CPI

GTR 50
HUSSAR 50
OLIVER / TNT / STUNT 50
OLIVER 50
POPCORN 50
SUPERCROSS 50
SUPERMOTO 50
GTS 50 / 125 / 200
HUSSAR 50 / 125 / 150
X-LARGE 125 / 150 / 200

50 2003 →
50 2001 → 2002
50 2006 →
50 2003 → 2005
50 2003 →
50 2003 →
50 2003 →
125 2002 → 2003
125 2003 →
125 2002 →

FDB2074
FDB313
FDB2062
FDB2191
FDB2191
FDB2107
FDB2107
FDB677
FDB2191
FDB2074

FDB2057
FSB731

FSB731
FSB732
FDB2107
FDB2107
FDB2057
FSB731
FDB2074

CZ

adaptable to front 85x20 drums
JAWA 125
JAWA 125
SCRAMBLER CROSS 125
JAWA 175
JAWA 175
CZ 180
JAWA 250
JAWA 250
JAWA 250 CROSS
SCRAMBLER CROSS 250
JAWA 350
JAWA 350
SCRAMBLER CROSS 350
SCRAMBLER CROSS 380
JAWA 400 CROSS

→
125 1975 →
125 2000 →
125 →
175 1975 →
175 2000 →
180 1993 →
250 1975 →
250 2000 →
250 →
250 →
350 1975 →
350 2000 →
350 →
380 →
400 →

FSB936
FSB855
FSB854
FSB955
FSB855
FSB854
FSB854
FDB207
FSB855
FSB854
FSB955
FSB955
FSB855
FSB854
FSB955
FSB955
FSB854
FSB955
FSB955
FSB955

FSB854
FSB854
FSB955
FSB854
FSB854
FSB854
FSB854
FSB854
FSB854
FSB955
FSB854
FSB854
FSB854
FSB854
FSB955
FSB955
FSB854
FSB955
FSB955
FSB955

DAELIM

"S" FIVE / "E" FIVE
CORDI 50
GZ 50 MESSAGE
TAPO 50
VIVO 50
ALTINO 100
DELFINO 100

50 2001 →
50 2004 →
50 2001 → 2003
50 1999 → 2003
50 1999 →
100 1999 →
100 1999 → 2000

FDB250
FDB250
FDB250
FDB250
FDB250
FDB250
FDB250

* It is recommended that in those applications where sintered pads are supplied as Original Equipment, replacement pads should also be of sintered composition.
** To avoid brake imbalance sintered pads fitted in rear calipers should only be used in combination with front calipers containing sintered pads.



CC FROM → TO



NOTES



NOTES

...DAELIM

DELFINO 100	100	2001 → 2003	FDB250	
CITY ACE 110	110	2003 →	FDB312	
ALTINO 125	125	2001 →	FDB250	
HISTORY 125	125	2001 →	FDB250	FDB250
NS 125	125	2001 →	FDB250	FDB250
OTELLO / NS 125	125	1999 →	FDB250	FSB964
ROADWIN 125	125	2004 →	FDB664	FDB631
ROCKET 125	125	1999 → 2001	FDB664	FSB964
VL 125 DAYSTAR	125	2003 →	FDB664	
VS 125	125	1995 → 1998	FDB250	
VS 125 CUSTOM	125	2001 →	FDB664	FSB964
VT 125 MAGNA	125	1997 →	FDB664	

DERBI

all models 50	50	1983 →	FSB808	FSB808
all models 50	50	1988 →	FSB811	FSB811
all models 50	50	2000 →	FSB809	FSB809
all models 50 (disc brake)	50	1983 →	FDB2107	FSB808
AVENTURA 50	50	1996 →	FDB2107	FSB867
BOX 50	50	1994 →	FSB867	FSB867
COPPA 50 FDT	50	1986 →	FDB2107	FSB867
COPPA 50 FDX	50	1987 →	FDB2107	FSB867
DS 50 WORLD CHAMPION	50	1988 →	FDB2107	FSB867
FD 50 JUMBO	50	1985 →	FDB2107	FSB867
FDS 50	50	1986 →	FRP405	FSB810
FENIX 50	50	1994 →	FRP405	FSB867
FURAX 50	50	1996 →	FDB2107	FSB867
FY 50 JUMBO	50	1984 →		FSB867
GP1 50	50	2002 → 2006	FRP405	
GP1 50 OPEN	50	2007 →	FDB677	FRP405
GPR 50	50	2010 →	FDB2201	FDB384
GPR 50 NAKED	50	2004 → 2006	FDB2074	FDB539
GPR 50 R/REPLICA	50	1997 → 2005	FDB706	FRP405
GPR 50 Race Replica	50	2008 → 2009	FDB2074	FRP405
GPR 50 SPORT	50	1996 →	FDB697	FDB694
HUNTER 50	50	1995 →	FRP405	FSB777
PADDOCK 50 ST	50	1996 →	FRP405	FSB777
PREDATOR 50	50	1998 →	FDB2107	FDB2107
PREDATOR 50 0.2	50	1999 →	FDB2107	FSB777
PROGRESS 50	50	1997 →	FRP405	FSB777
RECORD 50	50	1998 →	FDB2107	FSB777
RUNNER 50 2T Blacksoul	50	2011 →	FDB497	FDB680
SABANA 50	50	1990 →	FDB2107	FDB2107
SENDA 50	50	1994 →	FRP405	FDB2107
SENDA DRD Evo 50	50	2008 →	FDB2074	FDB384
SENDA DRD PRO 50	50	2005 → 2007	FDB2074	FRP405
SENDA DRD Pro 50 SM	50	2008 →	FDB2074	FDB2128
SENDA DRD Racing 50	50	2011 →	FDB497	FDB731
SENDA DRD RACING R 50	50	2005 →	FDB677	FRP405
SENDA DRD X-Treme 50 SM	50	2011 →	FDB731	FDB731
SENDA DRS 50 Racing	50	2008 → (x2)	FRP405	FRP405
SPORT EDITION 50	50	1995 →	FRP405	
SUPER MOTARD 50	50	2001 →	FRP405	FRP405
URBAN 50	50	1994 →	FSB867	FSB867
VAMOS 50	50	1994 →	FDB2107	FSB777
VAMOS 50 R	50	1995 →	FDB889	FSB777
VAMOS 50 R	50	1996 →	FDB2107	FSB867
VARIANT 50 SPORT R	50	1994 →	FDB2107	FSB867
COPPA 75 SPORT	75	1985 →	FDB2107	
GPR 75 SPORT	75	1990 →	FDB697	FDB694
TT8 75	75	1984 →	FDB207	FSB867
TT8 75	75	2000 →	FSB810	FSB810
TT8 75 (camme 10mm)	75	2000 →	FSB867	FSB867
YUMBO 75 RD-2 FDS	75	1987 →	FDB2107	FSB867
GPR 80 CUP	80	2004 → 2007	FDB2074	FDB539
GPR 80 CUP Criterium Derbi Malossi	80	2008 →	FDB2074	FRP405
BOULEVARD 125 / 150	125	2003 →	FDB2128	
Cross City 125	125	2007 → 2008	FDB677	FDB2128
Cross City 125	125	2009 →	FDB2242	FDB2128
GPR 125	125	2010 →	FDB2201	FDB384
GPR 125 / NUDE (Radial Caliper)	125	2004 → 2009	FDB2201	FRP405

* It is recommended that in those applications where sintered pads are supplied as Original Equipment, replacement pads should also be of sintered composition.

** To avoid brake imbalance sintered pads fitted in rear calipers should only be used in combination with front calipers containing sintered pads.



CC FROM → TO



NOTES



NOTES

...DERBI

Mulhacen 125 (4T) From ref no.: 7N001791	125	2007	→	2010	FDB2242		
MULHACEN CAFE' 125	125	2008	→		FDB2074	FDB384	
SENDA 125 R 4T	125	2005	→		FDB677	FRP405	
SENDA BAJA 125 SM	125	2008	→		FDB677	FDB2128	
SENDA DRD 125	125	2010	→		FDB2074	FDB384	
SONAR 125 (4T)	125	2010	→	2011	FDB2057	FSB954	
TERRA 125	125	2007	→	2008	FDB2242	FDB384	
TERRA 125 ADVENTURE	125	2008	→	2009	FDB2242	FDB2128	
TERRA 125 ADVENTURE	125	2010	→	2013	FDB2242	FDB384	
TT8 125	125	1984	→		FSB867	FSB867	
TT8 125	125	2000	→		FSB810	FSB810	
TT8 125 (camme 10 mm)	125	2000	→		FSB867	FSB867	
FUOCO 500 ie	500	2011	→	(x2)	FDB497	FDB2128	
MULHACEN CAFE' 659 Angel Nieto Lim. Ed.	659	2008	→		FDB2120	FDB2074	
GP800	800	2010	→	2010	(x2) FDB2018	FDB2142	
GP800	800	2011	→	(x2)	FDB2018	FDB2128	

DUCATI

502 SINGLE	50	1993	→	1999	(x2) FRP408	FDB207	
502 SUPERMONO	50	1993	→	1999	(x2) FRP408	FDB207	
250	250	2000	→			FSB818	
250 DESMO	250	2000	→		FDB148	FSB876	
350	350	2000	→			FSB818	
350 DESMO	350	2000	→		FDB148	FSB876	
350 F3	350	1986	→	(x2)	FDB207	FDB207	
350 INDIANA	350	1987	→		FDB592	FDB207	
350 S-GTL	350	1975	→		FDB207	FDB207	
350 SPORT GTV-SL-XL	350	1975	→	(x2)	FDB207	FDB207	
400 DESMO F3	400	1987	→	(x2)	FDB207	FDB207	
400 MONSTER	400	1995	→	1997	FRP408	FDB207	
400 MONSTER (JAPAN)	400	2000	→		FDB2042	FDB207	
SS 400 JUNIOR	400	1992	→	(x2)	FRP408	FDB207	
SS 400 NUDA	400	1992	→	(x2)	FRP408	FDB207	
450	450	2000	→			FSB818	
500 GTL SPORT DESMO	500	1975	→		FDB207	FDB207	
500 GTV	500	1977	→	(x2)	FDB207	FDB207	
500 PANTAH	500	1977	→	(x2)	FDB207	FDB207	
S 500	500	1975	→		FDB207	FDB207	
550 SUPERMONO	550	1993	→	1999	(x2) FRP408	FDB207	
600 SL	600	1976	→	(x2)	FDB148	FDB148	
600 SUPERSPORT CARENATA	600	1994	→	1999	(x2) FRP408	FDB207	
600 SUPERSPORT NUDA	600	1994	→	1999	(x2) FRP408	FDB207	
600 TL PANTAH	600	1976	→	(x2)	FDB148	FDB148	
M 600 MONSTER	600	1993	→	1999	FRP408	FDB207	
M 600 MONSTER	600	2000	→		FDB2042	FDB207	
M 600 MONSTER	600	2001	→	2002	FDB2042	FDB2074	
M 620 MONSTER	620	2002	→	2003	FDB2042	FDB2074	
M 620 MONSTER DARK (single/twin disc)	620	2003	→		FDB2042	FDB207	
MULTISTRADA 620 (twin disc)	620	2005	→	2006	(x2) FDB2018	FDB207	
MULTISTRADA 620 DARK (single disc)	620	2005	→	2006	FDB2042	FDB2074	
MULTISTRADA DARK 620	620	2003	→	2005	(x2) FDB2018	FDB207	
SPORT 620	620	2003	→		FDB2042	FDB2074	
650 DESMO	650	1987	→	(x2)	FDB108	FDB207	
650 INDIANA	650	1986	→	1987	(x2) FDB207	FDB207	
650 INDIANA	650	1987	→		FDB592	FDB207	
MONSTER 695	695	2006	→	2008	(x2) FDB2018	FDB2074	
MONSTER 696	696	2008	→	2013	(x2) FDB2042	FDB2074	
748 / 748R / 748S	748	2001	→	(x2)	FDB2120	FDB2074	
748 BIPOSTO	748	1995	→	1997	(x2) FRP408	FDB207	
748 BIPOSTO	748	1998	→	(x2)	FDB2042	FDB207	
748 RACING CLIENTI	748	1995	→	1997	(x2) FDB2007	FDB207	
748 RACING CLIENTI	748	1998	→	(x2)	FDB2042	FDB207	
748 SPS	748	1998	→	(x2)	FDB2042	FDB2074	
749 / 749R / 749S / 749 DARK	749	2003	→	(x2)	FDB2120	FDB2074	
750 ENDURANCE	750	1987	→	(x2)	FRP408	FDB108	
750 F1 DESMO	750	1986	→	(x2)	FDB108	FDB207	
750 LAGUNA SECA	750	1987	→	(x2)	FRP408	FDB108	
750 PASO	750	1987	→	(x2)	FDB108	FDB108	
750 SPORT	750	1989	→	2000	(x2) FDB108	FDB108	
750 SPORT	750	2001	→	2002	(x2) FDB2042	FDB2074	
750 SUPERSPORT	750	1976	→	1991	(x2) FDB108	FDB108	

* It is recommended that in those applications where sintered pads are supplied as Original Equipment, replacement pads should also be of sintered composition.

** To avoid brake imbalance sintered pads fitted in rear calipers should only be used in combination with front calipers containing sintered pads.



CC FROM -> TO



NOTES



NOTES

...DUCATI

750 SUPERSPORT	750	1992	-	1997	(x2)	FRP408	FDB207
750 SUPERSPORT	750	1998	-	2002	(x2)	FDB2042	FDB2074
M 750 MONSTER	750	1996	-	1999	(x2)	FRP408	FDB207
M 750 MONSTER	750	2000	-		(x2)	FDB2042	FDB207
M 750 MONSTER	750	2001	-	2002	(x2)	FDB2042	FDB2074
SS 750 CARENATA	750	1993	-	1998	(x2)	FRP408	FDB207
SS 750 NUDA	750	1992	-	1998	(x2)	FRP408	FDB207
HYPERMOTARD 796	796	2010	-		(x2)	FDB2042	FDB2074
MONSTER 796 (ABS Std)	796	2011	-	2013	(x2)	FDB2042	FDB2074
800 SUPERSPORT	800	2003	-		(x2)	FDB2042	FDB2074
MONSTER 800	800	2003	-	2006	(x2)	FDB2042	FDB207
MONSTER S2R 800	800	2007	-		(x2)	FDB2018	FDB207
SCRAMBLER Classic	803	2015	-		(x2)	FDB2265	FDB2005
SCRAMBLER Full Throttle	803	2015	-		(x2)	FDB2265	FDB2005
SCRAMBLER Icon	803	2015	-		(x2)	FDB2265	FDB2005
SCRAMBLER Urban Enduro	803	2015	-		(x2)	FDB2265	FDB2005
HYPERMOTARD 821 (ABS Std)	821	2013	-		(x2)	FDB2265	FDB2074
HYPERMOTARD SP 821 (ABS Std)	821	2013	-		(x2)	FDB2265	FDB2074
HYPERSTRADA 821 (ABS Std)	821	2013	-		(x2)	FDB2265	FDB2074
MONSTER 821	821	2015	-		(x2)	FDB2265	FDB2074
MONSTER 821 DARK	821	2015	-		(x2)	FDB2265	FDB2074
MONSTER 821 Stripe	821	2015	-		(x2)	FDB2265	FDB2075
848	848	2008	-		(x2)	FDB2042	FDB2074
Superbike 848 EVO (Racing version pad)	848	2011	-		(x2)	FDB2218	FDB2074
Superbike 848 EVO (Road version pad)	848	2011	-		(x2)	FDB2260	FDB2074
Streetfighter 848	849	2014	-		(x2)	FDB2042	FDB2074
850 GT - GTS	850	1977	-	1980	(x2)	FDB342	
851 all models	851	1988	-	1992	(x2)	FRP408	FDB207
880 RACING	880	1994	-	1995	(x2)	FDB2007	FDB207
888 all models	888	1992	-	1995	(x2)	FRP408	FDB207
899 Panigale (ABS Std)	898	2014	-		(x2)	FDB2265	FDB2074
900 all models	900	1992	-	1998	(x2)	FRP408	FDB207
900 I.E. PASO	900	1992	-	1998	(x2)	FRP408	FDB207
900 SUPERMONO DESMO 4	900	1993	-	1995	(x2)	FRP408	FDB207
FE 900 SUPERSPORT	900	1998	-		(x2)	FDB2042	FDB2074
M 900 MONSTER	900	1993	-	1999	(x2)	FRP408	FDB207
M 900 MONSTER	900	2001	-		(x2)	FDB2042	FDB2074
M 900 MONSTER I.E.	900	2000	-		(x2)	FDB2042	FDB207
906 PASO	906	1989	-	1990	(x2)	FDB108	FDB108
916 RACING CLIENTI	916	1995	-	1998	(x2)	FDB2007	FDB207
916 ST2	916	2001	-	2002	(x2)	FDB2042	FDB2074
916 STRADA	916	1998	-		(x2)	FDB2042	FDB2074
916 STRADA / SENNA / SP / SPS	916	1994	-	1997	(x2)	FRP408	FDB207
916 SUPERSPORT 4	916	1998	-		(x2)	FDB2042	FDB2074
M 916 MONSTER S4	916	2001	-	2002	(x2)	FDB2042	FDB207
944 ST2	944	1997	-	2002	(x2)	FDB2042	FDB2074
944 ST4	944	1999	-		(x2)	FDB2042	FDB2074
944 SUPERSPORT 2	944	1998	-	2002	(x2)	FDB2042	FDB2074
ST3 992	992	2004	-		(x2)	FDB2042	FDB2074
996 BIPOSTO	996	1999	-		(x2)	FDB2042	FDB207
996 R TESTA STRETTA	996	2001	-		(x2)	FDB2120	FDB2074
996 SPS / S	996	1998	-		(x2)	FDB2042	FDB2074
ST4 / ST4 ABS 996	996	2001	-		(x2)	FDB2042	FDB2074
998 BIPOSTO	998	2002	-		(x2)	FDB2042	FDB2074
998 R	998	2002	-		(x2)	FDB2120	FDB207
998 S	998	2002	-		(x2)	FDB2042	FDB207
998 SFE	998	2003	-		(x2)	FDB2120	FDB207
999 R / S	999	2003	-		(x2)	FDB2120	FDB2074
1000 all models	1000	1984	-		(x2)	FDB108	FDB108
Desmosedici RR (Lim. Ed.) (Road version pad)	1000	2008	-		(x2)	FDB2260	FDB2074
Desmosedici RR (Lim. Ed.)(Racing version pad)	1000	2008	-		(x2)	FDB2218	FDB2074
GT 1000	1000	2006	-	2007	(x2)	FDB2006	FDB2074
HYPERMOTARD 1000	1000	2006	-			FDB2120	FDB2074
MONSTER 1000	1000	2003	-	2006	(x2)	FDB2042	FDB207
MONSTER S2R 1000	1000	2007	-		(x2)	FDB2042	FDB207
MONSTER S2R 1000	1000	2008	-		(x2)	FDB2042	FDB2074
MONSTER S4R /S4RS 1000	1000	2006	-	2007	(x2)	FDB2120	FDB207
MONSTER S4R /S4RS 1000	1000	2008	-		(x2)	FDB2042	FDB2074
MONSTER S4R S Testastretta/tricolore	1000	2008	-		(x2)	FDB2120	FDB207
MULTISTRADA 1000 / 1000 DS / 1000S DS	1000	2003	-	2006	(x2)	FDB2042	FDB2074
PAUL SMART 1000 Limited Edition	1000	2007	-		(x2)	FDB2006	FDB2074
SPORT 1000	1000	2006	-		(x2)	FDB2006	FDB2074

* It is recommended that in those applications where sintered pads are supplied as Original Equipment, replacement pads should also be of sintered composition.

** To avoid brake imbalance sintered pads fitted in rear calipers should only be used in combination with front calipers containing sintered pads.



CC

FROM → TO



NOTES



NOTES

...DUCATI

Sportclassic GT 1000 / SPORT 1000S / Touring	1000	2008	→	(x2)	FDB2006	FDB2005
SUPERSPORT 1000 DS	1000	2003	→	(x2)	FDB2042	FDB2074
1098 /1098 S / 1098 R Bayliss Lim. Ed. (Racing pad)	1098	2007	→	(x2)	FDB2218	FDB2074
1098 /1098 S / 1098 R Bayliss Lim. Ed. (Road pad)	1098	2007	→	(x2)	FDB2260	FDB2074
STREETFIGHTER S (Racing version pad)	1099	2011	→	(x2)	FDB2218	FDB2074
STREETFIGHTER S (Road version pad)	1099	2011	→	(x2)	FDB2260	FDB2074
HYPERMOTARD 1100	1100	2007	→	(x2)	FDB2042	FDB2074
HYPERMOTARD 1100 EVO	1100	2010	→	(x2)	FDB2042	FDB2074
HYPERMOTARD 1100 SP / EVO SP / Corse ed. (Road pad)	1100	2010	→	(x2)	FDB2260	FDB2074
HYPERMOTARD 1100 SP/EVO SP/Corse ed. (Racing pad)	1100	2010	→	(x2)	FDB2218	FDB2074
HYPERMOTARD 1100S (Racing version pad)	1100	2007	→	(x2)	FDB2218	FDB2074
HYPERMOTARD 1100S (Road version pad)	1100	2007	→	(x2)	FDB2260	FDB2074
MONSTER 1100 / 1100 S	1100	2009	→	(x2)	FDB2042	FDB2074
MULTISTRADA 1100 / 1100 S / S Touring / S Sport	1100	2007	→	(x2)	FDB2042	FDB2074
Streetfighter / S (Racing version pad)	1100	2010	→	(x2)	FDB2218	FDB2074
Streetfighter / S (Road version pad)	1100	2010	→	(x2)	FDB2260	FDB2074
1199 Panigale (ABS Std) (Racing version pad)	1198	2014	→	(x2)	FDB2218	FDB2074
1199 Panigale (ABS Std) (Road version pad)	1198	2014	→	(x2)	FDB2260	FDB2074
1199 Panigale R (ABS Std) (Racing version pad)	1198	2014	→	(x2)	FDB2218	FDB2074
1199 Panigale R (ABS Std) (Road version pad)	1198	2014	→	(x2)	FDB2260	FDB2074
1199 Panigale S (ABS Std) (Racing version pad)	1198	2012	→	(x2)	FDB2218	FDB2074
1199 Panigale S (ABS Std) (Road version pad)	1198	2012	→	(x2)	FDB2260	FDB2074
DIAVEL CARBON 1200 (ABS Std) (Racing version pad)	1198	2014	→	(x2)	FDB2218	FDB2006
DIAVEL CARBON 1200 (ABS Std) (Road version pad)	1198	2014	→	(x2)	FDB2260	FDB2006
DIAVEL DARK 1200 (ABS Std) (Racing version pad)	1198	2014	→	(x2)	FDB2218	FDB2006
DIAVEL DARK 1200 (ABS Std) (Road version pad)	1198	2014	→	(x2)	FDB2260	FDB2006
DIAVEL STRADA 1200 (ABS Std) (Racing version pad)	1198	2014	→	(x2)	FDB2218	FDB2006
DIAVEL STRADA 1200 (ABS Std) (Road version pad)	1198	2014	→	(x2)	FDB2260	FDB2006
DIAVEL TITANIUM 1200 (ABS Std) (Racing version pad)	1198	2015	→	(x2)	FDB2218	FDB2006
DIAVEL TITANIUM 1200 (ABS Std) (Road version pad)	1198	2015	→	(x2)	FDB2260	FDB2006
MULTISTRADA 1200	1198	2014	→	(x2)	FDB2042	FDB2074
MULTISTRADA 1200S (Racing version pad)	1198	2015	→	(x2)	FDB2218	FDB2018
MULTISTRADA 1200S (Road version pad)	1198	2015	→	(x2)	FDB2260	FDB2018
MULTISTRADA 1200S D air (Racing version pad)	1198	2015	→	(x2)	FDB2218	FDB2018
MULTISTRADA 1200S D air (Road version pad)	1198	2015	→	(x2)	FDB2260	FDB2018
MULTISTRADA 1200S Granturismo (ABS Std)	1198	2014	→	(x2)	FDB2042	FDB2074
MULTISTRADA 1200S Pikes peak (ABS Std)	1198	2014	→	(x2)	FDB2042	FDB2074
MULTISTRADA 1200S Touring (ABS Std)	1198	2010	→	(x2)	FDB2042	FDB2074
SUPERBIKE 1198 / S / S Corse / R / SP (Racing pad)	1198	2009	→	(x2)	FDB2218	FDB2074
SUPERBIKE 1198 / S / S Corse / R / SP (Road pad)	1198	2009	→	(x2)	FDB2260	FDB2074
1199 Panigale Superleggera (Racing version pad)	1199	2014	→	(x2)	FDB2218	FDB2074
1199 Panigale Superleggera (Road version pad)	1199	2014	→	(x2)	FDB2260	FDB2074
DIAVEL 1200 (ABS Std) (Racing version pad)	1200	2011	→	(x2)	FDB2218	FDB2006
DIAVEL 1200 (ABS Std) (Road version pad)	1200	2011	→	(x2)	FDB2260	FDB2006
MONSTER 1200	1200	2014	→	(x2)	FDB2265	FDB2074
MONSTER 1200S (Racing version pad)	1200	2014	→	(x2)	FDB2218	FDB2074
MONSTER 1200S (Road version pad)	1200	2014	→	(x2)	FDB2260	FDB2074
MONSTER 1200S Stripe (Racing version pad)	1200	2015	→	(x2)	FDB2218	FDB2074
MONSTER 1200S Stripe (Road version pad)	1200	2015	→	(x2)	FDB2260	FDB2074
1299 Panigale (ABS Std) (Racing version pad)	1285	2015	→	(x2)	FDB2218	FDB2074
1299 Panigale (ABS Std) (Road version pad)	1285	2015	→	(x2)	FDB2260	FDB2074
1299 Panigale S (ABS Std) (Racing version pad)	1285	2015	→	(x2)	FDB2218	FDB2074
1299 Panigale S (ABS Std) (Road version pad)	1285	2015	→	(x2)	FDB2260	FDB2074

EBR

1190RX	1190	2014	→	2015	FDB2240	
1190SX	1190	2014	→	2015	FDB2240	

FANTIC

BIG WHEEL 50	50	1994	→		FDB636	FDB828
CABALLERO 50 RC	50	1990	→		FDB207	FDB694
CABALLERO 50 REG. SUPER 6 M	50	2000	→		FSB897	FSB897
CASA 50	50	1975	→		FSB898	FSB898
COMPETIZIONE 50	50	1975	→		FSB898	FSB898
ENDURO 50	50	1983	→		FSB897	FSB897
ENDURO 50 COMPETITION	50	2000	→		FSB898	FSB898
ENDURO 50 REPLICA	50	1980	→		FSB898	FSB898
FAST 50	50	1988	→		FDB697	FSB898
GRAN TURISMO 50 FOUR (FM. 200)	50	2000	→		FSB898	FSB898

* It is recommended that in those applications where sintered pads are supplied as Original Equipment, replacement pads should also be of sintered composition.

** To avoid brake imbalance sintered pads fitted in rear calipers should only be used in combination with front calipers containing sintered pads.



CC FROM → TO



NOTES



NOTES

...FANTIC

GRINTA 50	50	1995	→	FDB636	FDB828
ISSIMO 50	50	1984	→	FSB877	FSB877
ISSIMO 50 (alloy wheels)	50		→	FSB877	FSB877
ISSIMO 50 (spoke wheels)	50		→	FSB902	FSB902
KOALA 50	50	1987	→	FDB694	FDB694
LEADER 50	50	1995	→	FDB636	FDB828
OASIS 50 .1	50	1986	→	FDB697	FDB624
OASIS 50 .1 E.S.	50	1987	→	FDB697	FDB624
OASIS 50 .1 K.S.	50	1987	→	FDB697	FSB803
OASIS 50 .1 KICK	50	1987	→	FDB697	FSB900
OASIS 50 .1 RALLY	50	1986	→	FDB697	FSB803
PONY 50	50	1993	→	FSB731	FSB731
PONY 50 SR	50	1993	→	FDB636	FSB731
QUEENIE 50	50	1995	→	FDB636	FSB731
R 6 50 SUPER	50		→	FSB897	FSB897
RAIDER 50	50	1981	→	FDB731	FSB803
RAIDER 50 .1	50	1986	→	FDB731	FSB803
REPLICA 50	50	2000	→	FSB898	FSB898
SPRINTER 50	50	1984	→	FSB910	FSB910
SPRINTER 50 3V. R (FM. 248)	50	1983	→	FSB910	FSB910
STRADA 50 (FM. 240)	50	1982	→	FDB731	FSB898
STRADA 50 SUPER SIX	50	1973	→	FDB213	FSB898
TRAILMATIC 50 (FM. 283)	50	1983	→	FSB803	FSB803
TRIAL 50 .1 (FM.268)	50	1986	→	FDB436	FSB803
TRIAL 50 .1 H2O	50	1987	→	FDB436	FSB900
TRIAL 50 .5	50	1989	→	FRP405	FRP405
TRIAL 50 .7	50	1990	→	FRP405	FRP405
TRIAL 50 .9	50	1991	→	FRP405	FRP405
TRIAL 50 I SERIE (mozzi centrali)	50	2000	→	FSB907	FSB897
TRIAL 50 II mozzi conici	50	1983	→	FSB803	FSB803
TRIAL 50 JUNIOR	50	1987	→	FSB803	FSB887
CROSS 80 COMPETITION	80	1981	→	FSB898	FSB901
CROSS 80 COMPETITION	80	2000	→	FSB898	FSB898
ENDURO 80	80	1980	→	FSB898	FSB901
TRIAL 80	80	2000	→	FSB897	FSB897
CROSS 125 COMPETITION	125	1980	→	FSB898	FSB901
ENDURO 125	125	1980	→	FSB898	FSB901
RAIDER 125	125	1983	→	FDB694	FSB899
RAIDER 125 LC	125	1983	→	FDB694	FSB899
REGOLARITA' 125	125	1981	→	FSB898	FSB901
RSX 125	125	1981	→	FSB847	FSB847
SPORT 125	125	2000	→	FDB696	FSB876
SPORT 125 HP1 (FM.265)	125	1985	→	FDB624	FSB781
SPORT 125 MK II	125	2000	→	FDB696	FSB876
SPORT 125 MK II (f.a.tel.1706338)	125	1985	→	FDB696	FSB781
STRADA 125 (FM. 4000-A)	125	1983	→	FDB696	FSB876
TR 125 CR (2T) Cross Competizione	125	2013	→	FDB2242	FDB2139
TR 125 MR (2T) Motard Competizione	125	2013	→	FDB2242	FDB2139
TRIAL 125 .1 Progress 1	125	1986	→ 1986	FDB436	FSB898
TRIAL 125 .1 Progress 2	125	1986	→	FDB436	FSB898
TRIAL 125 .3 PROFESSIONAL (FM 361)	125	1987	→	FDB436	FDB436
TRIAL 125 .5	125	1989	→	FRP405	FRP405
TRIAL 125 .9	125	1991	→	FRP405	FRP405
TRIAL 125 7 DAYS mozzi conici	125		→	FSB898	FSB898
TRIAL 125 7 DAYS (mozzi centrali)	125		→	FSB897	FSB847
TRIAL 125 I SERIE. (TEL. grig. m. cen)	125		→	FSB907	FSB897
TRIAL 125 II SERIE (tel.rosso m.cen)	125		→	FSB897	FSB897
TRIAL 125 III SERIE (mozzi conici)	125		→	FSB898	FSB898
TRIAL 125 PROFESSIONAL (FM.237)	125	1983	→	FSB898	FSB898
TZ 125 CS (2T) Caballero Cross	125	2011	→ 2012	FDB2242	FDB2139
TZ 125 ES (2T) Regularita Scuderia	125	2011	→ 2012	FDB2242	FDB2139
TZ 125 SM (2T) Caballero Motard	125	2011	→ 2012	FDB2242	FDB2139
TZ 170 E (125 E / 4T) Regularita Casa	170	2011	→ 2013	FDB2242	FDB2139
TZ 170 ER (125 ER / 4T) Caballero Regularita Comp.	170	2011	→ 2013	FDB2242	FDB2139
TZ 170 SM (125 SM/ 4T) Motard Casa	170	2011	→ 2013	FDB2242	FDB2139
TX 180 E (49cc/2T) Regularita Casa 50E	180	2011	→ 2013	FDB2242	FDB2139
TX 180 ER (49cc/2T) Regularita Competizione 50ER	180	2011	→ 2013	FDB2242	FDB2139
TX 180 ES (49cc/2T) Regularita Scuderia 50ES	180	2011	→ 2013	FDB2242	FDB2139
TX 180 MR (49cc/2T) Motard Competizione 50MR	180	2011	→ 2013	FDB2242	FDB2139
TX 180 SM (49cc/2T) Motard Casa 50M	180	2011	→ 2013	FDB2242	FDB2139
TRIAL 200 Progress 1	200	1986	→	FDB436	FSB898
TZ 200 ER (200 ER / 4T) Caballero Regularita Comp.	200	2011	→ 2013	FDB2242	FDB2139

* It is recommended that in those applications where sintered pads are supplied as Original Equipment, replacement pads should also be of sintered composition.

** To avoid brake imbalance sintered pads fitted in rear calipers should only be used in combination with front calipers containing sintered pads.



CC FROM → TO



NOTES



NOTES

...FANTIC

TZ 200 MR (200 MR / 4T) Motard	200	2011	→	2013	FDB2242	FDB2139
TRIAL 201 Progress2	201	1986	→		FDB436	FSB898
TRIAL 240 (FM 363)	240	1987	→		FDB436	FDB436
TRIAL 240 SEVEN DAYS (FM. 289)	240	1986	→		FSB899	FSB898
TRIAL 241 PROFESSIONAL	241	1986	→		FDB436	FSB898
TRIAL 249	249	1990	→		FRP405	FRP405
COACH 250	250	1991	→		FRP405	FSB898
K-ROO 250	250	1991	→		FRP405	FRP405
K-ROO 250	250	1993	→		FDB2107	FDB2107
RAIDER 250 (FM. 259)	250	1985	→		FDB438	FSB759
TF 250 ES (4T)	250	2011	→	2013	FDB2242	FDB2139
TR 250 ES (2T) Enduro Six Day	250	2013	→		FDB2242	FDB2139
TR 300 ES (2T) Enduro Six Day	300	2013	→		FDB2242	FDB2139
TRIAL 300 (FM. 403)	300	1984	→		FSB899	FSB898
TZ 300 ES Regolarita Scuderia	300	2011	→	2012	FDB2242	FDB2139
TRIAL 301 Progress 1 (FM. 266)	301	1985	→		FDB436	FSB898
TRIAL 301 Progress 2	301	1986	→		FDB436	FSB898
TRIAL 303 (FM 364)	303	1987	→		FDB436	FDB436
TRIAL 305	305	1989	→		FRP405	FRP405
TRIAL 307	307	1990	→	1991	FRP405	FRP405
TRIAL 200 (FM. 350)	350	1978	→		FSB898	FSB898
TRIAL 240 (FM. 450)	450	2000	→		FSB898	FSB898

FB MINARELLI

RIEJU MARATHON 50	50	1974	→		FSB832	FSB832
MR 80	80		→		FDB2107	FSB827

GARELLI

BASIC 50 (alloy wheel fondermonte)	50		→		FSB877	FSB877
BASIC 50 (alloy wheels grimeca)	50		→		FSB908	FSB908
BASIC 50 (spoke wheel)	50		→		FSB902	FSB902
BIG WHEEL 50	50	1993	→	1994	FDB636	FDB828
BIP RACING 50	50	1994	→		FDB636	
CICLONE 50 I SERIE (spoke wheel)	50		→		FSB907	FSB907
CICLONE 50 II SERIE (alloy wheels)	50		→		FSB907	FSB907
CICLONE 50 N DE LUXE SELF MIX L.C	50		→		FDB213	FSB907
CICLONE 50 N/N DE LUXE SELF MIX L	50		→		FSB907	FSB907
EUREKA 50	50		→		FSB902	FSB902
FORMUNO 50 (from frame N. 2701552)	50	1987	→		FSB906	FSB908
FORMUNO 50 (up to frame N. 2701551)	50	1987	→		FSB903	FSB908
FORMUNO 50 F1 RAID	50	1987	→			FSB908
GRAN TURISMO 50 (alloy wheel)	50		→		FSB907	FSB907
GRINTA	50	1995	→		FDB636	FSB732
GULP 50	50		→		FSB902	FSB902
JUNIOR 50 TURISMO (spoke wheel)	50		→		FSB910	FSB910
KL 50 SV	50		→		FSB907	FSB907
KRS 50	50	2002	→		FDB2190	FSB777
NOI 50 (alloy wheels fondermonte)	50		→		FSB877	FSB877
NOI 50 (alloy wheels grimeca)	50		→		FSB908	FSB908
NOI 50 (spoke wheel)	50		→		FSB902	FSB902
NOI 50 MATIC	50		→		FSB902	FSB902
PONY 50	50	1992	→		FSB732	FSB732
PONY 50 SR	50	1992	→	1995	FDB636	FSB732
QUEENIE	50	1995	→		FDB636	FSB732
SAHEL 50	50	1991	→		FDB697	FRP405
SUPER VIP 50	50		→		FSB902	FSB902
TEAM MATIC 50	50	1988	→		FSB870	FSB908
TIGER 50 XLE	50	1986	→		FDB697	FDB436
URKA 50	50	1991	→		FDB207	
VIP 50 (alloy wheels grimeca)	50		→		FSB908	FSB908
VIP 50 (spoke wheel)	50		→		FSB902	FSB902
VIP 50 alloy wheels (fondermonte)	50		→		FSB877	FSB877
SAHEL 80	80	1989	→		FDB697	FRP405
FREELAND 125	125	2002	→		FDB2190	FSB777
GTA 125	125	1986	→	2000 (x2)	FDB694	FDB694
GTA 125	125	1986	→	1986 (x2)	FDB694	FSB781
JOKER 125	125	2002	→		FDB2190	
TIGER 125 XLE	125	1986	→	1986	FDB438	FDB624
TIGER 125 XR	125		→		FDB207	FSB911

* It is recommended that in those applications where sintered pads are supplied as Original Equipment, replacement pads should also be of sintered composition.

** To avoid brake imbalance sintered pads fitted in rear calipers should only be used in combination with front calipers containing sintered pads.

1020



CC FROM → TO



NOTES



NOTES

...GARELLI

TIGER 125 XRD	125	→	FDB207	FSB911
TSR 125	125	→	FDB696	FSB876
TSR 125 SELF MIX	125	→	FDB205	FSB876
FREELAND 150	150	2002 →	FDB2190	FSB777
JOKER 150	150	2002 →	FDB2190	
TRIAL 320	320	1986 →	FRP405	FSB898
TRIAL 320	320	2000 →	FSB898	FSB898

GASGAS

EC BOY 50	50	2001 →	FDB2103	FDB2103
EC ROOKIE 50	50	2001 →	FDB438	FDB2103
TXT 50 BOY	50	2004 →	FDB2107	FDB2107
ENDURCROSS 80	80	1994 →	FDB2018	FDB314
CROSS 125	125	1994 →	FDB2018	FDB438
DELTA 125	125	1991 →	FDB2107	
EC / MC 125	125	1996 → 1999	FDB2018	FDB2005
EC / MC 125	125	2000 →	FDB892	FDB539
ENDURCROSS 125	125	1994 →	FDB2018	FDB314
JT 12 125	125	1995 →	FDB2107	FDB2107
PAMPERA 125	125	1996 →	FDB2107	FDB2107
TRIAL 125	125	1991 →	FDB2107	
TT 125	125	1995 →	FDB2018	FDB2107
TT 125 ENDURCROSS	125	1993 →	FDB2018	FDB438
TXT 125	125	2001 → 2003	FDB2103	FDB2103
TXT 125 / 200 / 250 / 280 / 300	125	2004 →	FDB2109	FDB2127
JTR 140 CONTACT	140	1996 →	FDB2107	FDB2107
JT 16 150	150	1995 →	FDB2107	FDB2107
JT 160	160	1995 →	FDB2107	FDB2107
EC 200	200	2001 →	FDB892	FDB539
TXT 200	200	2000 → 2003	FDB2103	FDB2103
TXT 249	249	2001 → 2003	FDB2103	FDB2103
CROSS 250	250	1995 →	FDB2018	FDB314
EC / MC 250	250	1996 → 1999	FDB2018	FDB2005
EC / MC 250	250	2000 →	FDB892	FDB539
ENDURCROSS 250	250	1995 →	FDB2018	
JT 25 250	250	1991 →	FDB2107	FDB2107
JT 250 CONTACT	250	1994 →	FDB2107	FDB2107
JTR 250 CONTACT	250	1996 →	FDB2107	FDB2107
PAMPERA 250	250	1996 → 2001	FRP405	FRP405
PAMPERA 250	250	2002 →	FDB677	FDB2103
T 25 250 CONTACT	250	1993 →	FDB2107	FDB2107
TT 250	250	1995 →	FDB2018	FDB2005
TXT 250	250	2000 →	FDB2103	FDB2103
JTR 270 CONTACT	270	1996 →	FDB2107	FDB2107
TX 270	270	→ 1998	FRP405	FRP405
TXT 280	280	2000 →	FDB2103	FDB2103
EC / MC 300	300	1996 → 1999	FDB2018	FDB2005
EC / MC 300	300	2000 →	FDB892	FDB539
JT 32 320	320	1991 →	FDB2107	FDB2107
TXT 321	321	2000 →	FDB2103	FDB2103
HALLEY 325 PCX	325	1987 →	FDB436	FDB436
TRIAL 327	327	1989 →	FDB2107	FDB2107
GASGAS 350	350	→	FDB2107	FDB2107
JT 350	350	1995 →	FDB2107	FDB2107
JTR 370 CONTACT	370	1996 →	FDB2107	FDB2107
EC 400	400	2001 →	FDB892	FDB539
FSE 450	450	2004 →	FDB892	FDB539
FSE 450 SM	450	2003 →	FRP408	FDB539

GILERA

503 50	50	1991 →	FDB436	FDB436
BULLIT 50	50	1990 →	FDB436	FSB829
CB 1 50	50	→	FSB902	FSB889
CBA 50	50	→	FSB902	FSB889
CBA 50	50	1986 →	FSB902	FSB889
DNA 50	50	2001 →	FDB677	FDB2057
EAGLET 50	50	1996 →	FDB697	FDB828
EASY MOVING 50	50	1995 → 1996	FDB680	FSB895
ECO 50	50	→	FSB902	FSB889

* It is recommended that in those applications where sintered pads are supplied as Original Equipment, replacement pads should also be of sintered composition.

** To avoid brake imbalance sintered pads fitted in rear calipers should only be used in combination with front calipers containing sintered pads.



CC FROM → TO



NOTES



NOTES

...GILERA

GSM 50 / H @ K 50	50	2000	→	2003	FRP405		FRP405
ICE 50	50	2001	→	2003	FDB680		
NRG 50	50	1995	→	2003	FDB680		FSB895
R1 50	50	1990	→	1998			FSB834
RALLY 50	50	1987	→	1990			FSB844
RC 50 TOP RALLY	50	1990	→	1995	FDB828		FDB828
RCR 50	50	2005	→		FRP405		FRP405
RUNNER 50	50	1997	→	1998	FDB680		FSB938
RUNNER 50 SP / SKP	50	1999	→	2005	FDB680		FDB2057
RUNNER 50 SP / SKP	50	2006	→		FDB2142		FDB2057
SMT 50	50	2005	→		FRP405		FRP405
STALKER 50	50	1997	→		FDB680		FDB2057
STORM 50	50	1994	→	1995	FDB680		FSB895
TREND 50	50	1989	→	1992	FSB910		FSB889
TYPHOON 50	50	1993	→	1995	FDB680		FSB895
TYPHOON 50	50	1996	→		FDB680		FSB940
TG1 80	80		→		FDB205		FSB901
TG2 80	80		→		FDB205		FSB901
TG3 80	80		→		FDB205		FSB901
TYPHOON 80	80	1995	→		FDB680		FSB895
GIUBILEO 98	98		→		FSB847		FSB897
GIUBILEO 124	124		→		FSB847		FSB897
APACHE 125	125	1991	→		FDB499		FDB383
ARCORE 125	125		→		FSB901		FSB897
ARIZONA 125	125	1983	→		FDB207		FSB838
ARIZONA HAWK 125	125	1986	→		FDB438		FSB838
CMM APTS 125	125	1987	→		FDB438		FDB207
CRONO 125	125	1991	→		FDB498		FDB207
CX 125	125	1991	→		FDB498		FDB207
E1 125	125		→		FSB898		FSB901
E1 125 COMPETIZIONE	125		→		FSB898		FSB901
ER 125	125	1987	→		FDB438		FSB838
FAST BIKE 125	125	1987	→		FDB438		FDB207
GFR 125	125	1993	→		FDB498		FDB207
GR1 125	125		→		FDB205		FSB901
HX 125 LC	125	1983	→		FDB207		FSB911
KK 125 APTS	125	1987	→		FDB438		FDB207
KZ 125	125	1986	→		FDB438		FDB207
KZ 125 ENDURANCE	125	1988	→		FDB438		FDB207
MX 1 125	125	1988	→		FDB498		FDB207
MX R 125	125	1990	→		FDB498		FDB207
R1 125 S	125	1988	→		FDB438		FDB207
RC 125 RALLY	125	1987	→		FDB438		FSB838
RC 125 TOP RALLY	125	1989	→		FDB499		FDB383
RRT 125 NEBRASKA	125	1987	→		FDB438		FSB838
RRT 125 NEBRASKA (tubeless tires)	125	1987	→	2000 (x2)	FDB438		FSB844
RRT 125 NEBRASKA (tubeless tires)	125	1987	→	2000	FDB438		FSB838
RTX 125	125		→		FDB438		FSB838
RUNNER 125	125	2000	→		FDB677		FSB954
RUNNER 125 FX - SP	125	2000	→		FDB677		FDB2057
RUNNER 125 VX 4T	125	2001	→		FDB677		FDB2115
RV 125	125	1983	→		FDB696		FSB876
RV 125 ES	125	1987	→		FDB438		FSB876
RX 125	125	1984	→		FDB207		FSB838
SP 01 125	125	1989	→		FDB498		FDB207
SP 02 125	125	1990	→		FDB498		FDB207
TG1 125	125		→		FDB205		FSB876
TG2 125	125		→		FDB205		FSB876
TG3 125	125		→		FDB205		FSB876
TYPHOON 125	125	1995	→		FDB680		FSB938
TYPHOON 125 XR KAT	125	2000	→		FDB680		FSB938
XR1 125	125	1988	→		FDB438		FDB207
XR2 125	125	1989	→		FDB438		FDB207
ARCORE 150	150		→				FSB901
RUNNER 180	180	2000	→		FDB677		FSB954
RUNNER 180 FXR - SP	180	1999	→		FDB677		FDB2057
RUNNER 180 VXR 4T	180	2001	→		FDB677		FDB2115
ARIZONA HAWK 200	200	1986	→		FDB438		FSB838
ER 200	200	1987	→		FDB438		FSB838
FAST BIKE 200	200	1987	→		FDB438		FDB207
RTX 200	200	1986	→		FDB438		FSB838
RUNNER 200 VXR	200	2004	→		FDB677		FDB2115

* It is recommended that in those applications where sintered pads are supplied as Original Equipment, replacement pads should also be of sintered composition.

** To avoid brake imbalance sintered pads fitted in rear calipers should only be used in combination with front calipers containing sintered pads.



CC FROM → TO



NOTES



NOTES

...GILERA

RV 200	200	1985	→		FDB696		FDB207
RV 200 ES	200	1987	→		FDB438		FDB207
RX 200	200	1985	→		FDB207		FSB838
RX 200 ARIZONA	200	1985	→		FDB207		FSB838
T4 200	200		→		FDB205		FSB876
T4C 200	200		→		FDB205		FSB876
T4S 200	200		→		FDB205		FSB876
HX 250 LC	250	1983	→		FDB207		FSB834
NEXUS 250 IE	250	2007	→		FDB2142		FDB2142
NGR 250	250	1985	→	(x2)	FDB694		FDB207
RC 250 RALLY	250	1987	→		FDB438		FDB207
RX 250 ARIZONA RALLY	250	1986	→		FDB207		FSB834
NEXUS 300	300	2009	→		FDB2186		FDB2186
DAKOTA 350	350	1986	→		FDB438		FSB759
ER 350	350	1987	→		FDB438		FSB759
XRT 350	350	1990	→		FDB438		FDB207
DAKOTA 500	500	1987	→		FDB438		
ER 500	500	1987	→		FDB438		FSB759
NEXUS 500	500	2004	→	(x2)	FDB2018		FDB2074
SATURNO 500 PIUMA	500	1990	→		FRP408		FDB207
RC 600	600	1989	→ 1990		FDB499		FDB383
RC 600	600	1991	→		FDB529		FDB383
RC 600 NORD WEST	600	1991	→		FDB529		FDB383
RC 600 R	600	1991	→		FDB529		FDB383
RC 600 TOP RALLY	600	1990	→		FDB499		FDB383
XRT 600	600	1988	→		FDB438		FDB207
GP800	800	2008	→	(x2)	FDB2018		FDB2142

GREKAV

EIKE 505	50		→		FDB2154		
----------	----	--	---	--	---------	--	--

HARLEY DAVIDSON

XG 500 Street	549	2014	→ 2015		FDB2018		FDB2018
XG 750 Street	749	2014	→ 2015		FDB2018		FDB2018
XL 883	883	2004	→ 2008		FDB2179		FDB2180
XL 883 C Sportster Custom	883	2004	→ 2008		FDB2179		FDB2180
XL 883 EVO	883	1986	→ 1987		FDB352		FDB335
XL 883 EVO	883	1987	→ 1999		FDB352		FDB2001
XL 883 L Low	883	2004	→ 2010		FDB2179		FDB2180
XL 883 L Super Low (Cast Wheels)	883	2014	→		FDB2196		FDB2111
XL 883 L Superlow	883	2011	→ 2013		FDB2179		FDB2180
XL 883 N Iron	883	2009	→ 2010		FDB2179		FDB2180
XL 883 N Iron (Cast Wheel)	883	2011	→ 2013		FDB2179		FDB2180
XL 883 N Iron (Cast Wheels)	883	2014	→		FDB2196		FDB2111
XL 883 R ROADSTER (Cast Wheels)	883	2014	→		FDB2196		FDB2111
XL 883 R 100th Anniversary Edition	883	2003	→ 2003	(x2)	FDB2097		FDB2097
XL 883 R Roadster	883	2010	→ 2011	(x2)	FDB2179		FDB2180
XL 883 R Roadster (Cast Wheel)	883	2011	→ 2013	(x2)	FDB2179		FDB2180
XL 883 R Sportster	883	2000	→ 2003		FDB2097		FDB2097
XL 883 SPORTSTER R	883	2005	→ 2013		FDB2179		FDB2180
XL53C Sportster Custom	883	2000	→ 2003		FDB2097		FDB2097
XLH 883 Sportster	883	2000	→ 2003		FDB2097		FDB2097
XLH 883 Sportster Hugger	883	2000	→ 2003		FDB2097		FDB2097
XLH Sportster 883 Hugger	883	1992	→ 1993		FDB352		FDB2001
XLX	883	1983	→		FDB333		FDB335
XLX	883	1984	→ 1985		FDB352		FDB335
XLCH 1000 Sportster	1000	1978	→ 1979		FDB333		FDB334
XLCH 1000 Cafe Racer	1000	1977	→ 1978		FDB333		FDB334
XLH 1000 Sportster	1000	1978	→ 1981		FDB333		FDB334
XLH 1000 Sportster	1000	1982	→ 1983		FDB333		FDB335
XLH 1000 Sportster	1000	1984	→ 1985		FDB352		FDB335
XLS 1000 Roadster	1000	1979	→ 1981		FDB333		FDB334
XLS 1000 Roadster	1000	1982	→ 1983		FDB333		FDB335
XLS 1000 Roadster	1000	1984	→ 1985		FDB352		FDB335
XR 1000	1000	1983	→ 1985		FDB352		FDB335
XL 1100 EVO	1100	1986	→		FDB352		FDB335
VRSC V-Rod (Brembo Caliper)	1130	2006	→ 2008	(x2)	FDB2210		FDB2210
VRSC V-Rod (Hayes Caliper)	1130	2000	→ 2005	(x2)	FDB2097		FDB2097
VRSCD Night Rod (Cast Wheel)	1130	2006	→	(x2)	FDB2210		FDB2210

* It is recommended that in those applications where sintered pads are supplied as Original Equipment, replacement pads should also be of sintered composition.

** To avoid brake imbalance sintered pads fitted in rear calipers should only be used in combination with front calipers containing sintered pads.



CC

FROM → TO



NOTES



NOTES

...HARLEY DAVIDSON

VRSCR Street Rod	1130	2006	→	(x2)	FDB2210	FDB2210
XL 1200 C CUSTOM (Spoke Wheels)	1200	2014	→		FDB2196	FDB2111
XL 1200 C Sportster Custom	1200	2000	→	2003	FDB2097	FDB2097
XL 1200 C Sportster Custom	1200	2004	→		FDB2179	FDB2180
XL 1200 EVO	1200		→	1999	FDB352	FDB2001
XL 1200 L Sportster Low (Cast Wheel)	1200	2007	→	2011	FDB2179	FDB2180
XL 1200 L Sportster Low (Spoke Wheel)	1200	2007	→	2011	FDB2179	FDB2180
XL 1200 N Nightster (Spoke wheel)	1200	2008	→	2012	FDB2179	FDB2180
XL 1200 R Sportster Roadster	1200	2004	→	2008 (x2)	FDB2179	FDB2180
XL 1200 S Sportster Sport	1200	2000	→	2003 (x2)	FDB2097	FDB2097
XL 1200 V - Seventy Two	1200	2012	→	2013	FDB2179	FDB2180
XL 1200 V - Seventy Two	1200	2014	→		FDB2196	FDB2111
XL 1200 X - Forty Eight	1200	2010	→	2013	FDB2179	FDB2180
XL 1200 X - Forty Eight	1200	2014	→		FDB2196	FDB2111
XL 50 50th Anniversary Sportster	1200	2007	→	2007	FDB2179	FDB2180
XLH 1200 Sporter	1200	2000	→	2003	FDB2097	FDB2097
XR 1200	1200	2008	→	2010 (x2)	FDB2114	FDB2180
XR 1200 X	1200	2010	→	2012 (x2)	FDB2114	FDB2180
VRSCAW V-Rod	1250	2007	→	2008 (x2)	FDB2210	FDB2210
VRSCAW V-Rod (Spoke wheel)	1250	2008	→	(x2)	FDB2210	FDB2210
VRSCDX Night Rod Special (Cast Wheel)	1250	2008	→	(x2)	FDB2210	FDB2210
VRSCF V-Rod Muscle	1250	2008	→	(x2)	FDB2210	FDB2210
VRSCX V-Rod	1250	2008	→	(x2)	FDB2210	FDB2210
FL / FLH Electra Glide (4-speed)	1340	1972	→		FDB185	
FL / FLH Electra Glide (4-speed)	1340	1973	→	1980	FDB185	FDB185
FL / FLH Electra Glide (4-speed)	1340	1981	→	1984	FDB185	
FLHR Road King (all models)	1340	1994	→	1999	FDB352	FDB485
FLHS Electra Glide Sport	1340		→	1993	FDB352	FDB485
FLHS Electra Glide Sport	1340	1977	→		FDB185	FDB185
FLHT Electra Glide (all models)	1340	1983	→		FDB334	
FLHT Electra Glide (all models)	1340	1984	→	1985	FDB352	
FLHT Electra Glide (all models)	1340	1986	→	1999	FDB352	FDB485
FLST Heritage Softail	1340		→		FDB352	FDB335
FLST Heritage Softail	1340		→	1990	FDB352	FDB2001
FLSTC Heritage Softail Classic	1340		→	1999	FDB352	FDB2001
FLSTF Fat Boy	1340	1990	→	1999	FDB352	FDB2001
FLSTN Heritage Softail	1340	1993	→	1996	FDB352	FDB2001
FLSTS Heritage Springer Softail	1340	1997	→	1999	FDB352	FDB2001
FLT Tour Glide (all models)	1340	1980	→	1983	FDB334	
FLT Tour Glide (all models)	1340	1984	→	1985	FDB352	
FLT Tour Glide (all models)	1340	1986	→	1999	FDB352	FDB485
FLTR Road Glide (all models)	1340	1998	→	1999	FDB352	FDB485
FX Super Glide	1340	1973	→		FDB185	FDB185
FX Super Glide	1340	1974	→	1977		FDB185
FX Super Glide	1340	1978	→	1981	FDB333	FDB185
FXB Sturgis Belt	1340	1977	→	1981	FDB333	FDB185
FXB Sturgis Belt	1340	1982	→		FDB333	FDB335
FXD Dyna Super Glide	1340	1995	→	1999	FDB352	FDB2001
FXDB Dyna Street Bob	1340	1991	→	1992	FDB352	FDB2001
FXDC Dyna Super Glide Custom	1340	1991	→	1992	FDB352	FDB2001
FXDG Dyna Glide Sturgis	1340	1991	→		FDB352	FDB2001
FXDL Dyna Low Rider	1340	1993	→	1999	FDB352	FDB2001
FXDS-Conv. / Dyna Convertible	1340	1994	→	1999	FDB352	FDB2001
FXDWG Dyna Wide Glide	1340	1993	→	1999	FDB352	FDB2001
FXDX Dyna Super Glide Sport	1340	1995	→	1999	FDB352	FDB2001
FXE Super Glide	1340	1973	→		FDB185	FDB185
FXE Super Glide	1340	1974	→	1977		FDB185
FXE Super Glide	1340	1978	→	1981	FDB333	FDB185
FXE Super Glide	1340	1982	→	1983	FDB333	FDB335
FXE Super Glide	1340	1984	→	1985	FDB352	FDB335
FXEF Super Glide	1340	1978	→	1981	FDB333	FDB185
FXEF Super Glide	1340	1984	→	1985	FDB352	FDB335
FXLR Low Rider Custom	1340		→	2000	FDB352	FDB335
FXLR Low Rider Custom	1340		→	1994	FDB352	FDB2001
FXR Super Glide	1340		→	1994	FDB352	FDB2001
FXR Super Glide	1340	1986	→		FDB352	FDB335
FXR Super Glide II	1340	1982	→	1983	FDB333	FDB335
FXRD Sport Glide Grand Touring	1340	1986	→		FDB352	FDB335
FXRS Low Glide	1340		→	1992	FDB352	FDB2001
FXRS Low Glide	1340	1984	→		FDB352	FDB335
FXRS Super Glide II	1340	1982	→	1983	FDB333	FDB335
FXRT Sport Glide	1340		→	1992	FDB352	FDB2001

* It is recommended that in those applications where sintered pads are supplied as Original Equipment, replacement pads should also be of sintered composition.

** To avoid brake imbalance sintered pads fitted in rear calipers should only be used in combination with front calipers containing sintered pads.



CC

FROM → TO



NOTES



NOTES

...HARLEY DAVIDSON

FXRT Sport Glide	1340	1983	→		FDB333		FDB335
FXRT Sport Glide	1340	1984	→		FDB352		FDB335
FXS Sturgis	1340	1977	→ 1981		FDB333		FDB185
FXS Sturgis	1340	1982	→		FDB333		FDB335
FXSB Low Rider	1340	1983	→		FDB333		FDB335
FXSB Low Rider	1340	1984	→ 1985		FDB352		FDB335
FXST Softail	1340		→ 1990		FDB352		FDB2001
FXST Softail	1340	1984	→		FDB352		FDB335
FXST Softail Standard	1340		→ 1999		FDB352		FDB2001
FXSTB Night Train	1340		→ 1999		FDB352		FDB2001
FXSTC Softail Custom	1340		→ 1999		FDB352		FDB2001
FXSTC Softail Custom	1340	1986	→		FDB352		FDB335
FXSTS Springer Softail	1340		→ 1999		FDB352		FDB2001
FXSTSB Bad Boy	1340	1995	→ 1997		FDB352		FDB2001
FXWG Wide Glide	1340	1980	→ 1981		FDB333		FDB185
FXWG Wide Glide	1340	1982	→ 1983		FDB333		FDB335
FXWG Wide Glide	1340	1984	→ 1986		FDB352		FDB335
FLHRCi Road King Classic	1450	2000	→ 2007 (x2)		FDB2097		FDB2097
FLHRI/FLHR Road King	1450	2000	→ 2007 (x2)		FDB2097		FDB2097
FLHRS/FLHRSi Road King Custom	1450	2004	→ 2007 (x2)		FDB2097		FDB2097
FLHT/FLHTi Electra Glide Standard	1450	2000	→ 2006 (x2)		FDB2097		FDB2097
FLHTC/FLHTCi Electra Glide Classic	1450	2004	→ 2007 (x2)		FDB2097		FDB2097
FLHTCU-I Electra Glide Ultra Classic	1450	2000	→ 2007 (x2)		FDB2097		FDB2097
FLHX Street Glide	1450	2006	→ 2006 (x2)		FDB2097		FDB2097
FLST/FLSTi Heritage Softail	1450	2006	→		FDB2097		FDB2097
FLSTC/I Heritage Softail Classic	1450	2000	→ 2004		FDB2097		FDB2097
FLSTF/FLSTFi Fat Boy	1450	2000	→ 2006		FDB2097		FDB2097
FLSTFi Fat Boy 15th Anniversary Edition	1450	2005	→ 2005		FDB2097		FDB2097
FLSTN/FLSTNi Softail Deluxe	1450	2005	→ 2007		FDB2097		FDB2097
FLSTS/I Heritage Springer	1450	2000	→ 2003		FDB352		FDB2097
FLSTSC/FLSTSci Springer Classic	1450	2005	→ 2007		FDB352		FDB2097
FLTR/FLTR-i Road Glide	1450	2000	→ 2006 (x2)		FDB2097		FDB2097
FXCW Rocker (Cast wheel)	1450	2008	→ 2009		FDB2250		FDB2251
FXD Super Glide	1450	2000	→ 2003		FDB2097		FDB2097
FXDBi Street Bob (Spoke wheels)	1450	2006	→		FDB2097		FDB2097
FXDC/I Dyna Super Glide Custom	1450	2005	→ 2006		FDB2097		FDB2097
FXDC/I Super Glide Custom	1450	2005	→ 2006		FDB2097		FDB2097
FXDi 35 35th Anniv. Super Glide (Spoke wheels)	1450	2006	→ 2006		FDB2097		FDB2097
FXDi Super Glide	1450	2004	→ 2005		FDB2097		FDB2097
FXDi Super Glide (Cast wheel)	1450	2006	→ 2007		FDB2097		FDB2097
FXDL Dyna Low Rider	1450	2000	→ 2003 (x2)		FDB2097		FDB2097
FXDLi Dyna Low Rider	1450	2004	→ 2006		FDB2097		FDB2097
FXDS-Conv. / Dyna Convertible	1450	2000	→ 2002 (x2)		FDB2097		FDB2097
FXDWG Wide Glide	1450	2000	→ 2003 (x2)		FDB2097		FDB2097
FXDWGi Wide Glide	1450	2004	→ 2006		FDB2097		FDB2097
FXDX Super Glide Sport	1450	2000	→ 2003 (x2)		FDB2097		FDB2097
FXDXi Super Glide Sport	1450	2004	→ 2005 (x2)		FDB2097		FDB2097
FXDXT Super Glide T-Sport	1450	2000	→ 2003 (x2)		FDB2097		FDB2097
FXST/FXSTi Softail Standard	1450	2000	→ 2005		FDB2097		FDB2097
FXSTB/FXSTBi Night Train	1450	2000	→ 2005		FDB2097		FDB2097
FXSTD/I Softail Deuce	1450	2000	→ 2005		FDB2097		FDB2097
FXSTD/I Softail Deuce	1450	2006	→		FDB2097		FDB2202
FXSTS/FXSTSi Softail Springer	1450	2000	→ 2005		FDB352		FDB2097
FXSTS/FXSTSi Softail Springer	1450	2006	→		FDB352		FDB2202
FLHR Road King	1584	2008	→ 2012 (x2)		FDB2210		FDB2210
FLHRC Road King Classic	1584	2008	→ (x2)		FDB2210		FDB2210
FLHRS/FLHRSi Road King Custom	1584	2007	→ (x2)		FDB2097		FDB2097
FLHT Electra Glide Standard	1584	2008	→ 2010 (x2)		FDB2210		FDB2210
FLHT/FLHTi Electra Glide Standard	1584	2007	→ 2007 (x2)		FDB2097		FDB2097
FLHTC Electra Glide Classic	1584	2008	→ 2012 (x2)		FDB2210		FDB2210
FLHTC/FLHTCi Electra Glide Classic	1584	2007	→ 2007 (x2)		FDB2097		FDB2097
FLHTCU Ultra Classic Electra Glide	1584	2007	→ 2010 (x2)		FDB2210		FDB2210
FLHTK Electra Glide Ultra LTD	1584	2010	→ 2012 (x2)		FDB2210		FDB2210
FLHX Street Glide	1584	2007	→ 2007 (x2)		FDB2097		FDB2097
FLHX Street Glide	1584	2008	→ (x2)		FDB2210		FDB2210
FLSTC Heritage Softail Classic	1584	2007	→ 2008		FDB2097		FDB2202
FLSTC Heritage Softail Classic	1584	2008	→ 2014		FDB2250		FDB2251
FLSTC Heritage Softail Classic	1584	2015	→		FDB2114		FDB2251
FLSTC Heritage Softail Deluxe	1584	2015	→		FDB2114		FDB2251
FLSTF Fat Boy	1584	2008	→ 2014		FDB2250		FDB2251
FLSTF Fat Boy	1584	2015	→		FDB2114		FDB2251
FLSTF Fat Boy (Solid wheel)	1584	2008	→ 2014		FDB2250		FDB2251

* It is recommended that in those applications where sintered pads are supplied as Original Equipment, replacement pads should also be of sintered composition.

** To avoid brake imbalance sintered pads fitted in rear calipers should only be used in combination with front calipers containing sintered pads.



CC

FROM → TO



NOTES



NOTES

...HARLEY DAVIDSON

FLSTF/FLSTFi Fat Boy	1584	2007	→		FDB2097		FDB2202
FLSTFB Fat Boy Special/LO	1584	2010	→ 2013		FDB2250		FDB2251
FLSTN Softail Deluxe (Spoke wheel)	1584	2008	→ 2014		FDB2250		FDB2251
FLSTSB Softail Cross Bones	1584	2008	→ 2011		FDB352		FDB2251
FLSTSC/FLSTSi Springer Softail Classic	1584	2006	→ 2007		FDB352		FDB2202
FLTR Road Glide	1584	2008	→ 2009 (x2)		FDB2210		FDB2210
FLTRU Road Glide Ultra	1584	2011	→ 2012 (x2)		FDB2210		FDB2210
FLTRX Road Glide Custom	1584	2010	→ 2012 (x2)		FDB2210		FDB2210
FXCWC Rocker C (Cast wheel)	1584	2008	→ 2011		FDB2250		FDB2251
FXD Super Glide (Cast wheel)	1584	2008	→ 2010		FDB2250		FDB2251
FXDB Street Bob	1584	2007	→		FDB2097		FDB2097
FXDB Street Bob (Spoke wheel)	1584	2008	→ 2013		FDB2250		FDB2251
FXDC Dyna Super Glide Custom (Spoke wheels)	1584	2007	→		FDB2097		FDB2097
FXDC Super Glide Custom (Spoke wheel)	1584	2008	→		FDB2250		FDB2251
FXDF Fat Bob (Cast wheel)	1584	2008	→ (x2)		FDB2250		FDB2251
FXDL Dyna Low Rider	1584	2007	→		FDB2097		FDB2097
FXDL Low Rider (Cast wheel)	1584	2008	→ 2009		FDB2250		FDB2251
FXDWG Wide Glide	1584	2007	→		FDB2097		FDB2097
FXDWG Wide Glide (Spoke wheel)	1584	2008	→		FDB2250		FDB2251
FXST Softail Standard	1584	2015	→		FDB2114		FDB2251
FXST/FXSTI Softail Standard	1584	2006	→ 2007		FDB2097		FDB2202
FXSTB Night Train (Spoke wheel)	1584	2008	→ 2009		FDB2250		FDB2251
FXSTB/FXSTBi Night Train Softail	1584	2006	→ 2007		FDB2097		FDB2202
FXSTC Softail Custom	1584	2007	→		FDB2097		FDB2202
FXSTC Softail Custom (Spoke wheel)	1584	2008	→ 2010		FDB2250		FDB2251
FXSTD Softail Deuce	1584	2007	→		FDB2097		FDB2202
FXSTI Softail Standard	1584	2008	→ 2014		FDB2250		FDB2251
FLD Switchback	1690	2012	→		FDB2250		FDB2251
FLHTC Electra Glide Classic	1690	2011	→ (x2)		FDB2250		FDB2251
FLHTCU Ultra Classic Electra Glide	1690	2011	→ (x2)		FDB2210		FDB2210
FLHTCUTG Tri Glide Ultra Classic Trike	1690	2009	→ 2013 (x2)		FDB2210		
FLHTK Electra Glide Ultra LTD	1690	2010	→ 2012 (x2)		FDB2210		FDB2210
FLHXXX Street Glide Trike	1690	2010	→ 2011 (x2)		FDB2210		
FLS Softail Slim	1690	2012	→ 2014		FDB2250		FDB2251
FLS Softail Slim	1690	2015	→		FDB2114		FDB2251
FLSTF Fat Boy LO	1690	2010	→ 2014		FDB2250		FDB2251
FLSTF Fat Boy LO	1690	2015	→		FDB2114		FDB2251
FXDB Street Bob (Spoke wheel)	1690	2014	→		FDB2250		FDB2251
FXDC Super Glide Custom (Spoke wheel)	1690	2014	→		FDB2250		FDB2251
FXS Blackline	1690	2011	→ 2013		FDB2250		FDB2251
FXSB Breakout	1690	2013	→ 2014		FDB2250		FDB2251
FXSB Breakout	1690	2015	→		FDB2114		FDB2251

HERCULES

Lotus 80 SA	80		→		FDB213		
Lotus 80 SW	80		→		FDB207		

HERCULES (SACHS)

CHOPPER 50	50		→ (x2)		FDB213		
GIPSY 50	50	1993	→		FDB680		FSB704
LIMBO 50	50	1993	→		FSB703		FSB704
RX - 9 / RX - 9 50 AIRCOOLED	50		→		FDB213		
SAMBA SR 50	50	1993	→		FSB704		FSB704
SUPRA 50 4 GP	50		→		FDB213		
ULTRA 50 RS	50		→		FDB213		
ULTRA 50 RS 40	50		→		FDB213		
SAMBA SR 80	80	1993	→		FDB672		FSB704
ULTRA 80 RS	80		→		FDB213		
ULTRA 80 RS AC	80		→ (x2)		FDB213		
SAMBA SR 125	125	1993	→		FDB672		FSB704
ULTRA 125 RS	125		→		FDB213		

HERO

Karizma ZMR 230	320	2011	→ 2012		FDB2169		FDB2143
-----------------	-----	------	--------	--	---------	--	---------

* It is recommended that in those applications where sintered pads are supplied as Original Equipment, replacement pads should also be of sintered composition.

** To avoid brake imbalance sintered pads fitted in rear calipers should only be used in combination with front calipers containing sintered pads.



CC

FROM → TO



NOTES



NOTES

HONDA

C 50 Z2 ZZ ZA	50	1975 → 1993	FSB704	FSB704
CAMINO 50 all models	50	1980 →	FSB712	FSB712
CB 50 J all models	50	1981 →	FSB704	FSB704
CF 50 CHALY	50	1979 →	FSB704	FSB704
CR 50 R	50	1986 →	FDB382	
CR 50 RE - RF	50	1984 →	FSB714	FSB714
CRE 50 Baja	50	2011 →	FDB497	FDB828
CRE 50 SIX Comp.	50	2007 → 2012	FDB2268	FDB2162
CRE 50 Six Racing	50	2011 →	FDB892	FDB2162
CRF 50R	50	2004 →	FSB702	FSB702
CRM 50	50	1988 → 1992	FDB250	FSB756
CRM 50	50	1993 → 1996	FDB250	FDB539
CRM 50 Derapage	50	2011 →	FDB497	FDB828
CRM 50 Derapage Comp.	50	2007 → 2012	FDB2268	FDB2162
DAX 50	50	1993 → 1996	FSB704	FSB704
G-DASH 50	50	1989 → 1992	FDB250	FSB714
GP 50 DIO	50	1991 → 1995	FDB625	FSB714
HM 50 CRE	50	2006 →	FDB677	FDB2128
LIFE DIO 50	50	1994 →	FSB714	FSB714
MB 50	50	1982 →	FDB250	FSB705
MBX 50 SD - SF	50	1983 →	FDB312	FSB705
MONKEY 50	50	1988 →		FSB704
MT 50	50	1980 →	FSB705	FSB705
MTX 50 S	50	1983 →	FSB705	FSB705
MXR 50	50	→	FDB250	FSB705
NB 50	50	1985 →	FSB702	FSB703
NB 50 DELUX	50	1982 →	FSB702	FSB703
NB 50 MELODY	50	1982 →	FSB702	FSB703
NB 50 MSB	50	1982 →	FSB702	FSB703
NC 50 A	50	1982 →	FSB702	FSB702
NC 50 B	50	1982 →	FSB702	FSB702
NC 50 C	50	1982 →	FSB702	FSB702
NC 50 EXPRESS 2	50	1982 →	FSB702	FSB702
NC 50 EXPRESS 3	50	1982 →	FSB702	FSB702
NC 50 KI	50	1979 →	FSB702	FSB702
NC 50 Z EXPRESS	50	1979 →	FSB702	FSB702
ND 50	50	1982 →	FSB702	FSB703
ND 50 MELODY 2 all models	50	1982 →	FSB702	FSB703
NE 50 VISION	50	1985 →	FSB702	FSB703
NH 50 LEAD	50	1988 → 1992	FDB2192	FSB703
NH 50 LEAD	50	1993 → 1994	FSB704	FSB703
NH 50 LEAD	50	1994 →	FDB672	FSB703
NH 50 LEAD	50	2000 →	FSB704	FSB703
NP 50 D MELODY MINI	50	1983 →	FSB702	FSB703
NSC 50 C.AC Vision & R	50	2012 →	FDB2256	FSB963
NSR 50	50	1993 → 1994	FDB312	FSB705
NSR 50	50	1994 → 2000	FDB631	FSB705
NSR 50 (Spain)	50	→	FDB312	FDB539
NU 50 MC RUNAWAY	50	1982 →	FSB714	FSB703
NV 50 MSD STREA	50	1984 →	FSB703	FSB703
NX 50 A	50	1982 →	FSB702	FSB703
NX 50 B	50	1982 →	FSB702	FSB703
NX 50 MB CAREN	50	1982 →	FSB702	FSB703
OR 50	50	1993 →	FSB702	FSB703
PA 50 all models	50	1980 →	FSB712	FSB712
PC 50 KI	50	1979 →	FSB702	FSB702
PF 50 M	50	1975 →	FSB712	FSB712
PK 50 WALLAROO DX - STD	50	1990 → 2001	FSB714	FSB704
PX 50 all models	50	1982 → 1983	FSB712	FSB703
PX 50 E	50	1984 →	FSB712	FSB752
PXR 50 ALL MODELS	50	1985 → 1995	FSB758	FSB754
QA 50 K1/3	50	1987 → 1990	FSB704	FSB704
QR 50	50	1993 →	FSB702	FSB714
QR 50 ED	50	1982 → 1990	FSB702	FSB703
SA 50 ELITE LX	50	1988 → 1990	FSB702	FSB703
SA 50 J VISION MET-IN	50	1988 → 1990	FSB714	FSB714
SAA 50 VISION	50	1993 →	FSB714	FSB714
SFX 50	50	1995 →	FDB680	FSB704
SH 50 CITY EXPRESS	50	1984 → 1996	FSB704	FSB715
SH 50 SCOOPY	50	1988 → 1994	FSB715	FSB715
SH 50 SCOOPY / FIFTY	50	1997 → 2003	FDB680	FSB704
SJ 50 BALI	50	1993 → 1999	FDB2060	FSB704

HONDA

* It is recommended that in those applications where sintered pads are supplied as Original Equipment, replacement pads should also be of sintered composition.

** To avoid brake imbalance sintered pads fitted in rear calipers should only be used in combination with front calipers containing sintered pads.



CC

FROM → TO



NOTES



NOTES

...HONDA

SKY 50	50	1997 →	FDB680	FSB704
SKY 50 VETRO	50	2000 →	FDB680	FSB704
SR 50 DIO	50	1990 →	FDB625	FSB714
SR 50 LIFE DIO	50	1994 →	FDB625	FSB714
SS 50 ZB2	50	1977 → 1980		FSB704
SS 50 ZK2	50	1975 → 1977	FSB704	FSB704
ST 50	50	1978 → 1993	FSB704	FSB704
ST 50 DAX	50	1993 → 1996	FSB704	FSB704
SUPER DIO 50 SR	50	1991 → 1992	FDB625	FSB714
SUPER DIO 50 ZX	50	1992 →	FDB625	FSB714
SXR 50	50	1997 → 1999	FDB680	
TLM 50 F	50	1985 →	FSB714	FSB714
VT 50 SHADOW	50	1998 →		FSB704
X8R 50 S	50	1998 →	FDB680	FDB2101
X8R 50 X	50	1998 →	FDB680	FDB2101
XL 50	50	→	FSB705	FSB705
XR 50 DIO BAJA	50	1994 →	FDB625	FSB714
XR 50 R	50	2000 →	FSB702	FSB702
YUPY 50	50	1992 →	FDB625	
Z 50 all models	50	1979 → 1991	FSB702	FSB702
ZX 50 LIFE DIO	50	1994 →	FDB625	FSB714
ZX DIO 50	50	1995 →	FDB625	FSB714
CR 60 R	60	1986 →	FSB714	FSB714
CR 60 RG	60	1986 →	FSB714	FSB714
C 70 all models	70	1975 →	FSB704	FSB704
CF 70 C	70	1978 → 1979	FSB704	FSB704
CF 70 K2	70	1978 → 1980	FSB704	FSB704
CRF 70F	70	2004 →	FSB714	FSB714
DAX ST 70	70	1978 → 1980	FSB704	FSB704
XR 70 RV	70	1997 → 2003	FSB714	FSB714
CRM 75	75	1990 → 1994	FDB495	FDB539
CRM 75 R	75	1990 → 1994	FDB495	FDB539
NF 75	75	1979 →	FSB704	FSB704
NSR 75 (NS-1)	75	1992 → 2000	FDB2087	FDB783
NSR 75 / FII	75	1988 → 2000	FDB312	FSB705
SA 75 VISION	75	1988 →	FSB704	FSB714
SH 75 SCOOPY	75	1988 → 1995	FSB704	FSB715
XR 75 K4	75	1975 → 1979	FSB705	FSB705
XR 75 K5	75	1979 →	FSB704	FSB705
YUPY 75	75	1991 →	FDB539	FSB704
CH 80 ELITE	80	1985 → 1990	FSB704	FSB714
CR 80 R	80	1987 → 1991	FDB250	FSB756
CR 80 R	80	1992 → 2006	FDB250	FDB539
CR 80 R	80	2007 →	FDB661	FDB539
CR 80 R2F	80	1985 →	FSB705	FSB756
CR 80 RA - RB	80	1980 → 1981	FSB705	FSB705
CR 80 RC	80	1982 →	FSB705	FSB714
CR 80 RD - RE - RF	80	1983 → 1984	FSB714	FSB714
CR 80 RG	80	1986 →	FDB382	FSB756
CRM 80	80	1988 → 1992	FDB250	FSB756
CRM 80	80	1993 →	FDB250	FDB539
MB 80	80	1980 →	FDB313	FSB756
MBX 80	80	1982 →	FDB312	FSB705
MBX 80 (ESPANA)	80	1984 →	FDB312	FSB704
MBX 80 DX	80	1982 →	FDB312	FSB705
MBX 80 FWD	80	1983 → (x2)	FDB250	FSB705
MBX 80 VOLLUERKLEIDUNG	80	1985 →	FDB312	FSB705
MCX 80 all models	80	1982 → 1984	FDB313	FSB705
MT 80 all models	80	1980 → 1984	FSB705	FSB705
MTX 80 all models	80	1982 → 1984	FSB705	FSB705
NH 80 LEAD	80	1988 →	FDB2192	FSB703
NH 80 LEAD	80	2000 →	FSB704	FSB703
NH 80 LEAD AERO	80	1983 → 1984	FSB704	FSB703
NH 80 LEAD M D AERO	80	1983 → 1986	FSB704	FSB703
NH 80 LEAD SCOOTER	80	1985 →		FSB703
NH 80 LEAD SCOOTER	80	1986 → 1987		FSB703
NSR 80 R	80	1987 → 1992	FDB312	FDB539
NSR 80 R	80	1993 → 1998	FDB631	FDB539
SH 80	80	1984 →	FSB704	FSB715
SH 80 SCOOPY	80	1988 →	FSB704	FSB715
XR 80 A - B - Z	80	1980 → 1984	FSB705	FSB705
XR 80 R	80	1985 →	FSB714	FSB714

* It is recommended that in those applications where sintered pads are supplied as Original Equipment, replacement pads should also be of sintered composition.

** To avoid brake imbalance sintered pads fitted in rear calipers should only be used in combination with front calipers containing sintered pads.



CC

FROM → TO



NOTES



NOTES

...HONDA

XR 80 RJ	80	1989 →		FSB705		FSB705
CR 85 R/RB	85	2003 → 2007		FDB661		FDB539
C 90	90	1993 →		FSB705		FSB705
C 90 C - E - G - M - FG	90	1975 →		FSB704		FSB704
C 90 Z2 - ZZ	90	1975 → 1991		FSB704		FSB704
EZ 90 CUB	90	1990 →		FSB704		FSB704
VT 90 SHADOW	90	1998 →				FSB704
YUPY 90 (NH 90)	90	1990 →		FDB672		FSB705
CB 100 N	100	1978 →		FDB485		FSB705
CRF 100R	100	2004 →		FSB714		FSB714
H 100 A - SD	100	1982 →		FSB704		FSB704
LEAD 100	100	→		FDB382		
LEAD 100	100	→		FDB2119		FSB963
SH 100 Scoopy	100	1996 → 2001		FDB680		FSB704
SJ 100 BALI - EX	100	1998 → 1999		FDB2060		FSB704
SUPRA 100	100	1999 →		FDB631		FSB704
SUPRA 100	100	2000 →		FSB704		FSB704
XL 100 all models	100	1978 →		FSB705		FSB705
XR 100 R	100	1985 → 2003		FSB714		FSB714
CT 110 K/M/P	110	1989 → 2003		FSB704		FSB705
CT 110 P	110	1989 → 2004		FSB705		FSB705
CT 110 X	110	2004 →		FSB705		FSB963
NSC 110 WHB,AC Vision	110	2011 →		FDB2256		FSB963
SCV 110 Lead (WHA)	110	2010 → 2011		FDB2256		FSB963
125 DYLAN	125	2002 →		FDB2119		FSB963
@ 125 NES	125	2000 →		FDB2119		FSB963
@ 125 NES	125	2001 →		FDB382		FSB963
ANF 125 INNOVA	125	2003 → 2011		FDB2169		FSB704
CA 125 REBEL	125	1995 → 1997		FDB497		FSB709
CA 125 REBEL	125	1998 →		FDB2060		FSB709
CB 125 J	125	1979 →		FDB485		FSB705
CB 125 K1 - K5	125	1972 → 1976				FSB706
CB 125 K6 - S2	125	1976 → 1977				FSB706
CB 125 RS	125	1983 →		FDB250		FSB706
CB 125 T	125	1978 →		FDB485		FSB706
CB 125 T2 - TA - TB	125	1979 →		FDB485		FSB706
CB 125 TDC - TDE - TDJ	125	1983 → 1989		FDB244		FSB706
CB 125 TT	125	1990 →		FDB663		FSB706
CBF 125 M	125	2009 →		FDB2169		FSB963
CBR 125 R (5 Bolt Front Disc Fitting)	125	2011 → 2013		FDB2169		FDB2275
CBR 125 R (6 Bolt Front Disc Fixing)	125	2004 → 2010		FDB2169		FDB2143
CBR 150 R	125	2000 → 2003		FDB2169		FDB2143
CD 125 CD	125	1982 →		FSB707		FSB706
CD 125 TC	125	1982 →		FSB707		FSB706
CG 125	125	1985 →		FSB713		FSB704
CG 125 all models	125	1977 → 1984		FSB704		FSB704
CH 125 SPACY	125	1983 → 1997		FSB704		FSB704
CH 125 SPACY	125	1998 →		FDB312		FSB704
CLR 125 CITY FLY	125	2000 →		FDB438		FSB705
CM 125 L	125	1982 →		FSB707		FSB706
CR 125	125	2002 →		FDB892		FDB2139
CR 125 M2 - 3 - 4	125	1976 → 1978		FSB705		FSB705
CR 125 RA	125	1979 → 1981		FSB747		FSB713
CR 125 RB	125	1979 → 1981		FSB747		FSB713
CR 125 RC	125	1982 → 1983		FSB745		FSB745
CR 125 RD	125	1983 → 1984		FSB745		FSB746
CR 125 RE	125	1984 → 1985		FDB382		FSB746
CR 125 RG	125	1986 →		FDB382		FSB757
CR 125 RH - J - K - L	125	1987 → 1994		FDB495		FDB539
CR 125 RS	125	1979 → 1981		FSB747		FSB713
CR 125 RW - RX - RY - R1	125	1996 → 2001		FDB892		FDB539
CR 125 RZ	125	1979 → 1981		FSB747		FSB713
CRE 125 2T /Six Comp	125	2002 →		FDB892		FDB2139
CRE 125 4T Six Racing	125	2011 →		FDB892		FDB2162
CRE 125 SIX Comp.	125	2010 → 2011		FDB2268		FDB2162
CRE Baja HM 125 4T	125	2011 →		FDB497		FDB828
CRE Baja RR HM 125 4T	125	2011 →		FDB2167		FDB828
CRM 125	125	1990 → 1999		FDB495		FDB539
CRM 125 (Italy)	125	1990 → 1999		FDB438		FRP416
CRM 125 2T Derapage Comp.	125	2011 → 2012		FDB2268		FDB2162
CRM 125 4T Derapage Comp.	125	2011 → 2012		FDB2268		FDB2162
CRM 125 Derapage HM 125 4T	125	2011 →		FDB497		FDB828

HONDA

* It is recommended that in those applications where sintered pads are supplied as Original Equipment, replacement pads should also be of sintered composition.

** To avoid brake imbalance sintered pads fitted in rear calipers should only be used in combination with front calipers containing sintered pads.



CC

FROM → TO



NOTES



NOTES

...HONDA

CT 125 M2	125	1976 → 1978	FSB705	FSB705
CT 125 M3	125	1976 → 1978	FSB705	FSB705
CT 125 M4	125	1976 → 1978	FSB705	FSB705
FES 125 PANTHEON	125	1998 → 1999	FDB2073	FSB946
FES 125 PANTHEON	125	2000 → 2006	FDB2075	FSB946
FES 125 S-WING	125	2007 →	FDB2196	FDB2212
FS 125 Sonic	125	2003 → 2004	FDB312	FDB2169
MBX 125 RWB	125	1984 → 1986	FDB312	FSB746
MTX 125 R	125	1987 → 1988	FDB438	FSB704
MTX 125 R2F	125	1985 → 1995	FDB382	FSB705
MTX 125 RF	125	1985 → 1995	FDB382	FSB705
MTX 125 RII	125	1989 →	FDB438	FSB704
MTX 125 RWD	125	1983 → 1984	FSB705	FSB705
MTX 125 RWF	125	1985 → 1995	FDB382	FSB705
NH 125 H	125	1983 →	FSB704	FSB704
NH 125 LEAD	125	1983 → 1987	FSB704	FSB704
NH 125 LEAD	125	1988 →		FSB704
NS 125 F all models	125	1985 → 1990	FDB438	FSB704
NSR 125	125	1988 → 1989	FDB438	FSB704
NSR 125 R - F	125	1989 → 1992	FDB438	FRP416
NSR 125 RAIDEN	125	1990 → 1992	FDB438	FRP416
NX 125	125	1988 →	FSB713	FSB705
NX 125 (ITALY)	125	1990 →	FDB438	FSB704
NX 125 TRANSCITY	125	1989 → 1997	FDB495	FSB705
PCX 125 (WW125 EX2)	125	2010 → 2013	FDB2256	FSB963
PCX 125 LIMITED EDITION (WW125 EX2)	125	2012 →	FDB2256	
PS 125 i	125	2007 →	FDB2119	FSB963
RS 125 R	125	1988 →	FDB452	
RS 125 R	125	1991 → 1994 (x2)	FDB570	FDB2192
RS 125 R	125	1995 → (x2)	FDB858	FDB250
SH 125 & 125i (Rear Drum Model)	125	2000 → 2008	FDB2119	FSB963
SH 125i	125	2009 → 2012	FDB2196	FDB2212
SH 125i (2 piston caliper)	125	2013 →	FDB2225	FDB2212
SH 125i R	125	2010 → 2012	FDB2196	FDB2212
TL 125	125	1976 →	FSB705	FSB705
TUR/ML 125 (Brasil)	125	→	FDB625	
VT 125 SHADOW	125	1999 →	FDB631	FSB709
XL 125 K3	125	1979 →	FSB704	FSB705
XL 125 L PARIS DAKAR	125	1989 →	FDB438	FSB705
XL 125 PARIS DAKAR	125	1989 →	FDB438	FSB705
XL 125 R	125	1985 → 1986	FDB382	FSB705
XL 125 R	125	1987 → 1988	FDB438	FSB705
XL 125 R - S	125	1984 →	FSB704	FSB704
XL 125 R PARIS DAKAR	125	1984 →	FDB382	FSB705
XL 125 RC	125	1979 → 1983	FSB705	FSB705
XL 125 SA - B - C - Z - K2	125	1979 → 1983	FSB705	FSB705
XL 125 VARADERO	125	2001 →	FDB631	FDB2143
XLR 125	125	1993 →	FDB892	FDB539
@ 150 NES	150	2000 →	FDB2119	FSB963
CRF 150	150	2003 → 2007	FDB892	FSB705
CRF 150 RB	150	2008 →	FDB661	FDB2139
FES 150 PANTHEON	150	1998 → 1999	FDB2073	FSB946
FES 150 PANTHEON	150	2000 → 2002	FDB2075	FSB946
FES 150 PANTHEON	150	2003 → 2006	FDB2075	FDB531
FES 150 S-WING	150	2007 → 2013	FDB2196	FDB2212
NSR 150	150	2001 → 2003	FDB631	FDB497
NX 150 (Brasil)	150	→	FDB892	
PCX 150 (WW150)	150	2012 →	FDB2256	
PS 150i	150	2008 →	FDB2119	FSB963
SH 150	150	2000 → 2008	FDB2119	FSB963
SH 150i	150	2009 → 2012	FDB2196	FDB2212
SH 150i R	150	2010 → 2012	FDB2196	FDB2212
CB 175 all models	175	1974 → 1976		FSB749
CD 175 all models	175	1971 → 1978	FSB760	
CD 185 T	185	1978 → 1980	FSB707	FSB706
XL 185 SA	185	1980 → 1984	FSB705	FSB705
XL 185 SB	185	1980 → 1984	FSB705	FSB705
XL 185 SZ	185	1980 → 1984	FSB705	FSB705
CB 200 B - T	200	1977 → 1979		FSB749
CD 200 T	200	1979 → 1980	FSB707	FSB706
CM 200 TA - TB	200	1980 → 1981	FSB707	FSB706
CT 200 E - K	200	1984 → 1989	FSB704	FSB705

* It is recommended that in those applications where sintered pads are supplied as Original Equipment, replacement pads should also be of sintered composition.

** To avoid brake imbalance sintered pads fitted in rear calipers should only be used in combination with front calipers containing sintered pads.



CC

FROM → TO



NOTES



NOTES

...HONDA

CT 200 P	200	1993 → 1999	FSB705	FSB705
CTX 200	200	2003 → 2004	FDB892	FSB705
MTX 200 R	200	1987 →	FDB438	FSB704
MTX 200 RW	200	1985 → 1986	FDB382	FSB705
MTX 200 RWD	200	1983 → 1984	FSB705	FSB705
NX 200 (Brasil)	200	→	FDB892	
STRADA 200 (Brasil)	200	→	FDB625	
TA 200	200	2003 → 2004	FDB631	FDB631
TL 200 J	200	→	FSB705	FSB705
TL 200 X	200	→	FSB705	FSB705
TLR 200 EF	200	1984 →	FSB714	FSB714
TRZ 200 (4W)	200	1990 →	FSB945	FSB760
XL 200 R	200	1983 → 1984	FSB705	FSB705
XL 200 R	200	1985 →	FDB438	FSB704
XLR 200 R	200	1993 →	FDB892	FDB539
XR 200 (Brasil)	200	→	FDB892	
XR 200 A - RB - RC - RD	200	1981 → 1983	FSB705	FSB705
XR 200 R	200	1984 → 1991	FSB705	FSB705
CRF 230 F	230	2003 → 2007	FDB892	FSB705
CRF 230 F	230	2008 →	FDB892	FDB539
EASY 230 Enduro /SM	230	2008 →	FDB892	FDB539
SL 230	230	1997 →	FDB892	
AX 1 250	250	1988 →	FDB495	
CB 250	250	1988 → 1991	FDB452	FSB708
CB 250 B4	250	1973 → 1975	FSB943	FSB742
CB 250 FT HORNET	250	1996 → 2001	FDB533	FDB531
CB 250 G - G5	250	1975 →	FDB119	FSB742
CB 250 K3 - K4 - K5	250	1973 → 1975	FSB943	FSB742
CB 250 N	250	1978 → 1982	FDB183	FSB708
CB 250 NA - NB	250	1978 → 1982	FDB183	FSB708
CB 250 NIGHT HAWK	250	1991 → 2001	FDB570	FSB706
CB 250 REBEL	250	1986 →	FDB312	
CB 250 RSA - RSD - RSE	250	1981 → 1984	FDB183	FSB749
CB 250 T-DREAM	250	1978 → 1982	FDB183	FSB708
CB 250 T-SUPERDREAM	250	1978 → 1982	FDB183	FSB708
CBR 250 F	250	2004 →	FDB462	
CBR 250 R	250	2011 →	FDB570	FDB2258
CBR 250 R - RR	250	1990 → 1994 (x2)	FDB533	FDB531
CBR 250 R ABS	250	2011 →	FDB2196	FDB2258
CBR 250 R HURRICANE	250	1986 → 1988 (x2)	FDB462	FDB531
CBX 250 F	250	1995 →	FDB570	
CD 250	250	1988 → 1992 (x2)	FDB663	FSB706
CH 250 ELITE	250	1985 → 1986	FDB382	FSB748
CH 250 ELITE	250	1985 → 1990	FSB713	FSB713
CH 250 SPACY	250	1985 → 1986	FDB382	FSB748
CJ 250 I	250	1977 →	FDB119	FSB742
CL 250 SC	250	1981 →	FSB707	FSB749
CM 250 C	250	1982 →	FSB707	FSB706
CM 250 TB	250	1981 →	FDB183	FSB708
CMX 250 C REBEL	250	1996 → 2000	FDB497	FSB709
CN 250	250	1988 → 1989	FDB382	FSB762
CN 250	250	1990 → 1992	FDB538	FSB762
CN 250	250	1993 → 2000	FDB538	FSB713
CN 250 ELITE	250	1985 → 1986	FDB382	FSB748
CN 250 ELITE	250	1987 → 1990	FSB713	FSB713
CN 250 HELIX	250	1986 → 1987	FDB244	FSB732
CN 250 HELIX-FUSION	250	1992 →	FDB382	FSB748
CR 250	250	1986 →	FDB382	FSB757
CR 250	250	2002 →	FDB892	FDB2139
CR 250 R	250	1987 → 1994	FDB495	FDB539
CR 250 R	250	1996 →	FDB892	FDB539
CR 250 RA	250	1979 → 1980	FSB747	FSB743
CR 250 RB	250	1981 →	FSB744	FSB713
CR 250 RC	250	1982 →	FSB745	FSB713
CR 250 RD	250	1983 →	FSB745	FSB746
CR 250 RE	250	1984 → 1985	FDB382	FSB746
CR 250 RS	250	2000 →	FSB744	FSB750
CR 250 RZ	250	1979 → 1980	FSB747	FSB743
CRE 250 / CRE F250 X/R	250	2002 →	FDB892	FDB2139
CRF 250 LD	250	2013 →	FDB2242	FDB2275
CRF 250 X / R	250	2004 →	FDB892	FDB2139
CRF250M Supermoto	250	2014 →	FDB2242	FDB2275

HONDA

* It is recommended that in those applications where sintered pads are supplied as Original Equipment, replacement pads should also be of sintered composition.

** To avoid brake imbalance sintered pads fitted in rear calipers should only be used in combination with front calipers containing sintered pads.



CC

FROM → TO



NOTES



NOTES

...HONDA

CRF250R	250	2014	→	FDB892	FDB2139
CRM 250 R	250	1989	→ 1990	FDB495	FDB539
CRM 250 R	250	1991	→	FDB892	FDB539
FE 250 FORESIGHT	250	1997	→ 1998	FDB2073	FSB946
FE 250 FORESIGHT	250	1999	→	FDB2075	FDB531
FTR 250	250	1986	→	FDB382	FDB382
JADE 250	250	1991	→ (x2)	FDB570	FDB531
JAZZ 250	250	2001	→	FDB2073	FDB2130
MX 250 F	250	1988	→	FDB310	FSB749
NS 250 RF	250	1984	→ 1986 (x2)	FDB244	FDB244
NSR 250	250	1986	→	FDB462	FDB244
NSR 250 R	250	1986	→ 1987 (x2)	FDB462	FDB244
NSR 250 R - SP	250	1988	→ 1993	FDB533	FDB531
NSR 250 R SE-SP	250	1994	→	FDB858	FDB496
NSS 250 FORZA (MF04/06)	250	2000	→ 2004	FDB2075	FDB754
NSS 250 FORZA EX (ABS)	250	2005	→ 2008	FDB2196	FDB2212
NSS 250 FORZA X	250	2005	→ 2008	FDB2196	FDB2212
NSS 250 FORZA Z (ABS)	250	2005	→ 2006	FDB2196	FDB2196
NX 250	250	1988	→ 1990	FDB495	FSB740
NX 250 DOMINATOR	250	1988	→ 1990	FDB495	FSB740
NX 250 DOMINATOR	250	1993	→	FDB892	FSB740
RS 250	250	1993	→ 1994 (x2)	FDB858	FDB2192
RS 250 R	250	1991	→ (x2)	FDB533	FDB531
RS 250 R	250	1995	→ (x2)	FDB2008	FDB250
RTL 250 SG	250	1986	→	FSB705	FSB705
RX 250 RE	250	1984	→	FDB382	FSB705
TL 250 F	250	1985	→	FSB705	FSB705
TL 250 KI	250	1979	→	FSB705	FSB705
TSR 250	250	1999	→	FRP408	
VT 250 CR MAGNA	250	1994	→ (x2)	FDB570	
VT 250 F INTEGRA	250	1987	→	FDB462	FSB749
VT 250 F2	250	1982	→	FDB538	FSB749
VT 250 F2	250	1983	→ 1984	FDB310	FSB749
VT 250 FD	250	1983	→	FDB310	FSB749
VT 250 FZ	250	1982	→ 1987	FDB310	FSB749
VT 250 SPADA	250	1988	→	FDB570	FDB531
VTR 250 (MC33)	250	1998	→ 2009	FDB664	FDB531
VTZ 250	250	1988	→	FDB452	FSB749
VTZ 250 XELVIS	250	1992	→	FDB570	FDB606
XL 250	250	1990	→	FDB495	FDB539
XL 250	250	1991	→	FDB495	FSB740
XL 250 DEGREE	250	1991	→	FDB892	FSB740
XL 250 K3 - K4	250	1978	→ 1979	FSB942	FSB707
XL 250 RC - RH	250	1982	→	FSB713	FSB740
XL 250 S	250	1982	→ 1990	FSB707	FSB709
XL 250 S - SZ - SA	250	1978	→ 1981	FSB707	FSB740
XLR 250 R	250	1985	→ 1988	FDB382	FSB704
XLR 250 R	250	1991	→	FDB892	FDB539
XLR 250 R BAJA	250	1988	→ 1990	FDB495	FDB539
XLR 250 R BAJA	250	1991	→	FDB892	FDB539
XLX 250	250	1984	→	FSB713	FSB740
XR 250 L	250	1991	→ 1995	FDB892	FDB539
XR 250 R	250	1988	→ 1993	FDB495	FDB539
XR 250 R	250	1994	→	FDB892	FDB539
XR 250 RB - RD	250	1981	→ 1983	FSB744	FSB740
XR 250 RE - RH	250	1984	→ 1987	FDB382	FSB740
XR 250 Z - SZ - SA	250	1979	→ 1980	FSB707	FSB740
CRE 260	260	1990	→	FDB495	FDB539
CBR300R	300	2014	→	FDB664	FDB2258
CRE F300 X	300	2008	→	FDB892	FDB2139
SH 300i	300	2006	→ 2014	FDB2196	FDB2212
CB 350 K4	350	→	→	FSB943	FSB742
CB 350 SG	350	1986	→ (x2)	FDB462	FSB708
NX 350 SAHARA (Brasil)	350	→	→	FDB892	
XL 350 R	350	1985	→ 1986	FDB382	FSB740
XL 350 RD	350	1983	→	FSB746	FSB705
XLX 350	350	1989	→	FDB382	
XR 350 RE - RD	350	1984	→	FDB382	FSB705
CB 360 G5 all models	360	1975	→	FSB943	FSB742
CJ 360 T all models	360	1978	→	FDB119	FSB742
CB 400 A - HAWK	400	1978	→	FDB183	FSB708
CB 400 F - F1 - F2	400	1975	→ 1979	FDB119	FSB742

* It is recommended that in those applications where sintered pads are supplied as Original Equipment, replacement pads should also be of sintered composition.

** To avoid brake imbalance sintered pads fitted in rear calipers should only be used in combination with front calipers containing sintered pads.



CC FROM -> TO



NOTES



NOTES

...HONDA

CB 400 FK (CB-1)	400	1990	-	(x2)	FDB570	FDB531
CB 400 N - NA - NB	400	1978	-	1982 (x2)	FDB182	FSB708
CB 400 N/F	400	1983	-		FDB538	FSB708
CB 400 SUPER FOUR	400	1992	-	(x2)	FDB570	FDB531
CB 400 SUPER FOUR (SF)	400	1999	-	2003 (x2)	FDB2079	FDB2111
CB 400 SUPER FOUR S	400	1997	-	1998 (x2)	FDB2099	FDB531
CB-1 400 F	400	1989	-		FDB570	FDB531
CBR 400 RG (NC23) 100	400	1986	-	1986 (x2)	FDB462	FDB244
CBR 400 RH-YA (NC23) 101	400	1986	-	1986 (x2)	FDB462	FDB244
CBR 400 RRJ/RRK (NC23) Tri-Arm (102/109)	400	1987	-	1989 (x2)	FDB570	FDB531
CBR 400 RRL/RRN/RRR (NC29) Gull Arm	400	1990	-	1994 (x2)	FDB570	FDB531
CBX 400 C	400	1983	-		FDB538	FDB244
CM 400 A	400	1978	-	1981 (x2)	FDB182	FSB708
CM 400 AA	400	1978	-	1981 (x2)	FDB182	FSB708
CM 400 AB-TA	400	1978	-	1981 (x2)	FDB182	FSB708
CM 400 T	400	1978	-	1981 (x2)	FDB182	FSB708
CM 400 TB	400	1978	-	(x2)	FDB182	FSB708
CM 400 TC	400	1978	-	1981 (x2)	FDB182	FSB708
CM 400 TZ	400	1978	-	(x2)	FDB182	FSB708
FL 400 R PILOT (4W)	400	1989	-	1990	FSB925	
FT 400	400	1982	-		FDB244	FDB244
NS 400 RF - RG	400	1985	-	(x2)	FDB538	FDB244
NTV 400 BROS	400	1988	-		FDB533	FDB531
NV 400 CUSTOM	400	1988	-		FDB663	FDB665
NV 400 SP CUSTOM	400	1988	-			FDB244
RVF 400	400	1994	-	(x2)	FDB858	FDB496
SILVERWING 400	400	2006	-		FDB2098	FDB664
SW-T 400	400	2009	-		FDB2196	FDB664
TRANSALP 400	400	1992	-		FDB452	FDB531
VF 400 F INTEGRA	400	1982	-		FDB538	FDB244
VFR 400 R	400	1986	-	1987 (x2)	FDB462	FDB244
VFR 400 R	400	1987	-	1989 (x2)	FDB462	FDB531
VTR 400 R (NC 30)	400	1989	-	1991 (x2)	FDB533	FDB496
XR 400 R (All Models)	400	1996	-		FDB892	FDB539
XR 400 SUPERMOTARD	400	2000	-		FDB892	FDB539
XR 440 R (DALL'ARA)	440	1999	-		FDB892	FDB539
CB 450 N	450	1985	-	(x2)	FDB183	FSB708
CBX 450 S	450	1987	-	(x2)	FDB462	FSB708
CMX 450 CG REBEL	450	1986	-	1988	FDB244	FSB708
CR 450 RB - RS	450	1981	-		FSB744	FSB750
CRE F450 R	450	2011	-		FDB892	FDB2139
CRE F450 X/R	450	2008	-		FDB892	FDB2139
CRF 450 R	450	2002	-		FDB892	FDB2139
CRF 450 Rally	450	2013	-		FDB892	
CRF 450 SUPERMOTARD	450	2002	-		FDB892	FDB2139
CRF 450 X	450	2005	-	2013	FDB892	FDB2139
CRM F 450 / R / X / RR (Magura 4 pistons)	450	2008	-		FDB2244	FDB2139
CR 480 RC	480	1982	-		FSB744	FSB814
CR 480 RD	480	1983	-		FSB745	FSB746
CB 500 F Twin	500	2013	-		FDB664	FDB531
CB 500 K1 - K2 - T	500	1975	-	1977	FDB119	FSB711
CB 500 R	500	2013	-		FDB570	FDB531
CB 500 R/T	500	1994	-	1996	FDB570	FSB711
CB 500 S	500	1999	-	2003 (x2)	FDB2006	FDB2005
CB 500 V	500	1997	-	2003	FDB2006	FDB2005
CB 500 X	500	2013	-		FDB570	FDB531
CBF 500	500	2004	-		FDB664	FDB754
CBF 500 ABS	500	2004	-	2007	FDB2196	FDB754
CBR 500	500	1987	-	1990 (x2)	FDB462	FDB665
CBR 500 R	500	2013	-		FDB570	FDB531
CR 500	500	1986	-		FDB382	FSB757
CR 500 R	500	1987	-	1992	FDB495	FDB539
CR 500 R	500	1993	-	1994	FDB892	FDB539
CR 500 R	500	1995	-	2001	FDB892	FDB539
CR 500 RE - G - H - J	500	1984	-	1985	FDB382	FSB746
CRE F500 X	500	2009	-		FDB892	FDB2139
CX 500 CA - CB	500	1979	-	1981 (x2)	FDB182	FSB711
CX 500 CC - EC	500	1982	-	(x2)	FDB244	FDB244
CX 500 T (TURBO)	500	1983	-	(x2)	FDB244	FDB244
FT 500 - C	500	1982	-		FDB244	FDB244
GL 500 DC	500	1982	-	(x2)	FDB244	FSB711
GL 500 SILVER WING INTERSTATE	500	1982	-	(x2)	FDB244	FSB711

* It is recommended that in those applications where sintered pads are supplied as Original Equipment, replacement pads should also be of sintered composition.

** To avoid brake imbalance sintered pads fitted in rear calipers should only be used in combination with front calipers containing sintered pads.



CC

FROM → TO



NOTES



NOTES

...HONDA

NX 500	500	1997 → 1999	FDB2006	FDB2005
NX 500 DOMINATOR	500	1988 → 1996	FDB663	FDB531
VF 500 FE - F2E	500	1984 → (x2)	FDB244	FDB665
VF 500 FF - F2F	500	1984 → (x2)	FDB244	FDB665
VT 500 CD - FT	500	1982 →	FDB244	FSB708
VT 500 ED - EF - C	500	1983 →	FDB310	FSB708
XBR 500 S - F - G - H	500	1985 →	FDB244	FSB755
XL 500 R - RC	500	1982 →	FSB751	FSB709
XL 500 R PARIS DAKAR	500	1983 →	FSB751	FSB709
XL 500 SA - SB	500	1980 →	FSB743	FSB749
XL 500 SZ	500	1980 →	FSB707	FSB709
XR 500 R	500	1983 → 1984	FDB382	FSB709
XR 500 R	500	1984 →	FDB382	FSB705
XR 500 R - RB	500	1981 → 1983	FSB744	FSB709
XR 500 SA - SZ	500	1979 → 1980	FSB747	FSB709
CB 550 F - F1 - F2	550	1978 →	FDB119	FSB741
CB 550 K3	550	1978 →	FDB119	FSB741
CBX 550 FC - FD - F2C - F2D	550	1982 → 1984 (x2)	FDB310	FDB310
CB 600 F HORNET	600	2007 → (x2)	FDB570	FDB2221
CB 600 F HORNET (16 wheel)	600	1998 → 1999 (x2)	FDB570	FDB754
CB 600 F HORNET (17 wheel)	600	2000 → 2006 (x2)	FDB570	FDB754
CB 600 F HORNET (Japan)	600	1998 →	FDB2114	FDB754
CB 600 F HORNET ABS	600	2007 → (x2)	FDB2196	FDB754
CB 600 F HORNET S (17 wheel)	600	2000 → 2004 (x2)	FDB570	FDB754
CBF 600 4/A4 / HORNET / Travel	600	2004 → (x2)	FDB570	FDB754
CBF 600 N / S / ABS	600	2008 → (x2)	FDB2196	FDB754
CBF 600 S/ABS	600	2011 → (x2)	FDB664	FDB754
CBR 600 F	600	2007 → (x2)	FDB2079	FDB754
CBR 600 F (Japan)	600	1999 → 2004 (x2)	FDB2114	FDB754
CBR 600 F / ABS	600	2011 → (x2)	FDB664	FDB2221
CBR 600 F/R HURRICANE	600	1987 → 1990 (x2)	FDB462	FDB665
CBR 600 F1 / F2 / FS1 / FS2 Sport	600	2001 → 2002 (x2)	FDB2079	FDB754
CBR 600 F2	600	1991 → 1994 (x2)	FDB2113	FDB754
CBR 600 F3	600	1995 → 1998 (x2)	FDB664	FDB754
CBR 600 F4 / F4i Sport	600	1999 → 2004 (x2)	FDB2079	FDB754
CBR 600 FX / FY	600	1999 → 2000 (x2)	FDB2079	FDB754
CBR 600 RR	600	2003 → 2004 (x2)	FDB2079	FDB754
CBR 600 RR	600	2005 → 2006 (x2)	FDB2181	FDB754
CBR 600 RR - Racing Applications	600	2005 → (x2)	FDB2205	FDB754
CBR 600 RR / Lim. Ed. / Fireblade Repsol	600	2007 → (x2)	FDB2181	FDB2221
NTV 600 BROSS	600	1988 → 1992	FDB533	FDB531
NTV 600 REVERE - HAWK	600	1990 → 1992	FDB570	FDB531
NV 600 C	600	1988 →	FDB663	FSB711
SILVER WING 600	600	2001 →	FDB2075	FDB664
SILVER WING 600 (hand brake)	600	2001 →	FDB250	
SW-T 600 ABS	600	2011 →	FDB2196	FDB570
V LX 600 SHADOW	600	1988 → 1991 (x2)	FDB663	FSB711
VT 600 C SHADOW	600	1988 → 1993	FDB663	FSB711
VT 600 C SHADOW	600	1994 → 2003	FDB570	FSB711
XL 600 LD - PARIS DAKAR	600	1983 → 1984	FDB382	FSB709
XL 600 LM-RM-R-V-L	600	1985 → 1990	FDB244	FSB709
XL 600 R - RD - RE	600	1983 → 1984	FDB382	FSB709
XL 600 V TRANSALP	600	1987 → 1990	FDB244	FSB709
XL 600 V TRANSALP	600	1991 → 1993	FDB663	FDB531
XL 600 V TRANSALP	600	1994 → 1996	FDB570	FDB531
XL 600 V TRANSALP	600	1997 → 1999 (x2)	FDB892	FDB531
XR 600 L - R	600	1994 → 2002	FDB892	FDB539
XR 600 R	600	1985 → 1987	FDB382	FSB705
XR 600 R	600	1988 → 1990	FDB495	FSB705
XR 600 R	600	1991 → 1993	FDB495	FDB539
CB 650	650	→	FDB310	FDB310
CB 650 A - Z	650	1979 → 1981	FDB183	FSB710
CB 650 B	650	1979 → 1981 (x2)	FDB183	FSB710
CB 650 SCC NIGHTHAWK	650	1982 → (x2)		FSB710
CB 650 SCD	650	1983 → (x2)	FDB244	FSB711
CB650F	650	2014 → (x2)	FDB664	FDB2258
CBR650F	650	2014 → (x2)	FDB664	FDB2258
CBX 650 ED	650	1983 → (x2)	FDB244	FSB711
CX 650 EC - T	650	1983 → (x2)	FDB244	FDB244
CX 650 ED	650	1982 →	FDB244	FSB711
CX 650 TD (TURBO) E	650	1983 → (x2)	FDB244	FDB244
FMX 650	650	2005 → 2006	FDB664	FDB754

* It is recommended that in those applications where sintered pads are supplied as Original Equipment, replacement pads should also be of sintered composition.

** To avoid brake imbalance sintered pads fitted in rear calipers should only be used in combination with front calipers containing sintered pads.



CC

FROM → TO



NOTES



NOTES

...HONDA

FMX 650	650	2007	→		FDB664		FDB531
GL 650 D2TE	650	1983	→	(x2)	FDB244		FSB711
GL 650 DD - ID	650	1983	→	(x2)	FDB244		FSB711
NT 650 DEAUVILLE	650	2002	→	(x2)	FDB2098		FDB2098
NT 650 HAWK GT	650	1988	→	1990 (x2)	FDB570		FDB531
NT 650 V DEAUVILLE	650	1998	→	2001 (x2)	FDB2006		FDB531
NTV 650	650	1994	→	1997 (x2)	FDB570		FDB531
NTV 650 BROS - I	650	1990	→	1993 (x2)	FDB533		FDB531
NTV 650 REVERE	650	1988	→	1993	FDB570		FDB531
NX 650 DOMINATOR	650	1993	→	1994	FDB452		FDB531
NX 650 DOMINATOR	650	1995	→	1997	FDB892		FDB531
NX 650 DOMINATOR	650	1998	→	2002	FDB2006		FDB2005
NX 650 DOMINATOR J - K	650	1988	→	1992	FDB663		FDB531
SLR 650	650	1997	→	1998	FDB2006		FDB2005
VIGOR 650	650	1999	→	2002	FDB2006		FDB2005
XL 650 V TRANSALP	650	2000	→	(x2)	FDB892		FDB531
XR 650 L	650	1993	→	1995	FDB495		FDB539
XR 650 L	650	1996	→		FDB892		FDB539
XR 650 R	650	1999	→		FDB892		FDB539
XRV 650 AFRICA TWIN	650	1988	→	1989	FDB663		FDB531
DEAUVILLE TRAVEL	680	2007	→	(x2)	FDB2196		FDB2073
DN-01 Sports Cruiser	680	2009	→	(x2)	FDB2196		FDB570
NT 700 DEAUVILLE 680 / ABS	680	2006	→		FDB2196		FDB2098
TRANSALP 680	680	2008	→	(x2)	FDB2196		FDB754
CB 700 SC NIGHT HAWK	700	1984	→	(x2)	FDB244		FSB761
CTX700	700	2014	→		FDB664		FDB754
CTX700N	700	2014	→		FDB664		FDB754
INTEGRA 700 (NC700DC,DD)	700	2012	→		FDB2196		FDB754
NC 700 S,X (manual gearbox - No ABS)	700	2012	→		FDB664		FDB531
NC 700 SA,XA (manual gearbox - ABS)	700	2012	→		FDB2196		FDB754
NC 700 SD,XD (automatic gearbox - ABS)	700	2012	→		FDB2196		FDB754
VF 700 C MAGNA	700	1984	→	(x2)	FDB244		FSB711
VF 700 C MAGNA	700	1985	→	(x2)	FDB244		FSB761
VF 700 F INTERCEPTOR	700	1984	→	1985 (x2)	FDB244		FDB538
VF 700 S SABRE	700	1984	→	(x2)	FDB244		FSB711
VFR 700 F INTERCEPTOR	700	1988	→	(x2)	FDB570		FDB570
VFR 700 F/F2 INTERCEPTOR	700	1986	→	1987 (x2)	FDB452		FDB538
VT 700 C SHADOW	700	1984	→	1985 (x2)			FSB711
VT 700 C SHADOW	700	1986	→	(x2)	FDB244		FSB761
VT 700 C SHADOW	700	1987	→	(x2)	FDB244		FSB761
750 BLACK WIDOW	750	2001	→		FDB664		FSB761
B 750 EC - ED	750	1982	→	(x2)	FDB244		FDB244
B 750 F2 - F2D	750	1982	→	(x2)	FDB244		FDB244
CB 750 F - F1	750	1976	→	1978	FDB119		FDB134
CB 750 F2 - F3	750	1977	→	(x2)	FDB182		FDB182
CB 750 FA - FB - F2C	750	1980	→	(x2)	FDB182		
CB 750 FZ	750	1979	→	(x2)	FDB182		FDB182
CB 750 K	750	1982	→	(x2)	FDB244		FDB244
CB 750 K1 - K6	750	1971	→	1977			FSB710
CB 750 K7 - K8	750	1978	→		FDB119		FSB710
CB 750 KZ	750	1980	→	(x2)	FDB183		FSB710
CB 750 N SEVEN FIFTY	750	1992	→	2002 (x2)	FDB570		FDB754
CB 750 NIGHTHAWK	750	1991	→	(x2)	FDB664		FSB711
CB 750 SC NIGHTHAWK	750	1982	→	1983 (x2)	FDB244		FSB710
CBR 750 F	750	1988	→	(x2)	FDB570		FDB570
CBR 750 F HURRICANE	750	1987	→	1988 (x2)	FDB663		FDB538
CBR 750 SUPER AERO	750	1988	→	1989 (x2)	FDB663		FDB858
CBX 750 FE	750	1983	→	1984 (x2)	FDB244		FDB665
MAGNA 750	750	1993	→		FDB570		FSB761
NC750S (RC70)	750	2014	→		FDB664		FDB754
NC750X (RC72)	750	2014	→		FDB664		FDB754
NM4 Vultus	750	2015	→		FDB570		FDB531
NR 750	750	1992	→	(x2)	FDB533		FDB496
RVF 750 RR (RC 45)	750	1994	→	(x2)	FDB858		FDB496
VF 750 C	750	1993	→	(x2)	FDB570		FSB711
VF 750 C-SC-CC-F-F-C	750	1983	→	(x2)	FDB244		FSB711
VF 750 CH	750	1987	→	1989 (x2)	FDB538		FSB711
VF 750 F-FD-FE-MAGNA-SABRE-INT	750	1982	→	(x2)	FDB244		FDB665
VFR 750 C V45 MAGNA	750	1988	→		FDB538		FSB761
VFR 750 F	750	1990	→	1993 (x2)	FDB570		FDB664
VFR 750 F	750	1994	→	1997 (x2)	FDB570		FDB664
VFR 750 F INTERCEPTOR	750	1986	→	1987 (x2)	FDB663		FDB665

* It is recommended that in those applications where sintered pads are supplied as Original Equipment, replacement pads should also be of sintered composition.

** To avoid brake imbalance sintered pads fitted in rear calipers should only be used in combination with front calipers containing sintered pads.



CC

FROM → TO



NOTES



NOTES

...HONDA

VFR 750 F INTERCEPTOR	750	1988 → 1989	(x2)	FDB664	FDB664
VFR 750 R (RC-30)	750	1988 → 1993	(x2)	FDB533	FDB496
VT 750 AMERICAN CLASSIC EDITION	750	1998 → 1998		FDB664	FSB761
VT 750 C SHADOW	750	1983 → 1985		FDB244	FSB711
VT 750 C SHADOW	750	1986 → 1996		FDB244	FSB761
VT 750 C SHADOW	750	1997 → 2009		FDB664	FSB761
VT 750 C2 SHADOW	750	2010 → 2012		FDB2196	FDB2111
VT 750 C2 SHADOW BLACK SPIRIT	750	2010 →		FDB664	FSB761
VT 750 DC Black Widow	750	2001 → 2004		FDB664	FSB761
VT 750 DC Shadow Spirit	750	2007 → 2009		FDB664	FSB761
VT 750 S	750	2010 → 2012		FDB664	FSB761
XLV 750 R - RD - RF	750	1984 → 1988		FDB244	FSB755
XRV 750 R AFRICA TWIN	750	1990 → 1993	(x2)	FDB462	FDB531
XRV 750 R AFRICA TWIN	750	1994 → 2003	(x2)	FDB892	FDB531
CROSSRUNNER	780	2011 →	(x2)	FDB2196	FDB570
PC 800 PACIFIC COAST	800	1989 → 1997	(x2)	FDB570	FSB761
VFR 800	800	2006 →	(x2)	FDB2196	FDB2098
VFR 800 F	800	2014 →	(x2)	FDB2181	FDB570
VFR 800 FI	800	1998 →	(x2)	FDB2098	FDB2098
VFR 800 FI INTERCEPTOR / INTERCEPTOR ABS	800	2002 → 2005	(x2)	FDB2098	FDB2098
VFR 800 X Crossrunner	800	2015 →	(x2)	FDB2181	FDB2253
VFR 800 X Crossrunner Travel Edition	800	2015 →	(x2)	FDB2181	FDB2253
VFR 800 XC (Crossrunner)	800	2012 →	(x2)	FDB2196	FDB2253
VT 800 C	800	1988 →		FDB244	FSB761
CB 900 F - FZ - FA	900	1979 → 1981	(x2)	FDB182	FDB182
CB 900 F2B - FB	900	1982 → 1983	(x2)	FDB244	FDB244
CB 900 FD - FC - F2C - F2D	900	1983 → 1985	(x2)	FDB244	FDB244
CB 900 HORNET	900	2002 →	(x2)	FDB533	FDB754
CBR 900 RR-FIREBLADE (Japan)	900	1998 → 2003	(x2)	FDB2114	FDB754
CBR 900 RR-FIREBLADE (SC28)	900	1992 → 1995	(x2)	FDB533	FDB754
CBR 900 RR-FIREBLADE (SC33)	900	1998 → 1999	(x2)	FDB2079	FDB754
CBR 900 RR-FIREBLADE (SC44&50)	900	2000 → 2003	(x2)	FDB2079	FDB754
CBR 929 RR-FIREBLADE	929	2000 → 2001	(x2)	FDB2079	FDB754
VFR 950 F CARAT	950	1992 →	(x2)	FDB570	FDB664
CB 1000 R (No ABS)	1000	2009 →	(x2)	FDB2181	FDB2253
CB 1000 SF	1000	1993 → 1997	(x2)	FDB533	FDB754
CB 1000 SUPERFOUR (BIG FOUR)	1000	1992 →	(x2)	FDB570	FDB664
CBF 1000	1000	2006 →	(x2)	FDB570	FDB754
CBF 1000 / Special Ed. (ABS System)	1000	2006 →	(x2)	FDB2196	FDB2196
CBF 1000 / ST	1000	2011 →	(x2)	FDB2196	FDB754
CBR 1000 BIG ONE	1000	1993 → 1997	(x2)	FDB533	FDB754
CBR 1000 F	1000	1987 → 1988	(x2)	FDB452	FDB538
CBR 1000 F	1000	1989 → 1992	(x2)	FDB570	FDB570
CBR 1000 F-FP	1000	1993 → 1999	(x2)	FDB2002	FDB2002
CBR 1000 FIREBLADE	1000	2004 → 2005	(x2)	FDB2181	FDB754
CBR 1000 FIREBLADE - Racing Applications	1000	2004 → 2005	(x2)	FDB2205	FDB754
CBR 1000 FIREBLADE RR / Hansspree Ed.	1000	2006 →	(x2)	FDB2181	FDB2221
CBR 1000 R HURRICANE	1000	1987 → 1988	(x2)	FDB452	FDB538
CBR 1000RR Fireblade	1000	2014 →	(x2)	FDB2181	FDB2221
CBR1000RR Fireblade SP (Racing version pad)	1000	2014 →	(x2)	FDB2218	FDB2221
CBR1000RR Fireblade SP (Road version pad)	1000	2014 →	(x2)	FDB2260	FDB2221
CBX 1000	1000	1977 → 1980	(x2)	FDB182	FDB182
CBX 1000 B - C	1000	1981 → 1982	(x2)	FDB244	FDB244
GL 1000	1000	1981 →	(x2)	FDB182	FDB182
GL 1000 K1 - 2 - 3	1000	1977 → 1979	(x2)	FDB182	FDB134
GL 1000 KZ	1000	1977 → 1979	(x2)	FDB182	FDB134
RCV 213 (Racing version pad)	1000	2015 →	(x2)	FDB2218	FDB2074
RCV 213 (Road version pad)	1000	2015 →	(x2)	FDB2260	FDB2074
VF 1000 - 2	1000	1984 → 1986	(x2)	FDB244	FDB665
VF 1000 BOL D'OR	1000	1984 → 1986	(x2)	FDB244	FDB665
VF 1000 F - FE	1000	1984 → 1986	(x2)	FDB244	FDB665
VF 1000 RE - RF	1000	1984 → 1986	(x2)	FDB244	
VTR 1000 FV FIRESTORM - SUPERHAWK	1000	1997 → 2000	(x2)	FDB533	FDB754
VTR 1000 SP-1 (Japan)	1000	2000 → 2004	(x2)	FDB2114	FDB754
VTR 1000 SP-1 (SC45)	1000	2000 → 2001	(x2)	FDB2079	FDB754
VTR 1000 SP-2 (SC45)	1000	2002 →	(x2)	FDB2079	FDB754
XL 1000 V VARADERO	1000	1999 → 2003	(x2)	FDB2098	FDB2075
XL 1000 VARADERO A4 (ABS)	1000	2004 →	(x2)	FDB2196	FDB2075
1100 AMERICAN CLASSIC EDITION	1100	1995 →		FDB570	FDB754
CB 1100	1100	2013 →	(x2)	FDB2196	FDB754
CB 1100 EX	1100	2015 →	(x2)	FDB2079	FDB754
CB 1100 FD	1100	1980 → 1983	(x2)	FDB244	FDB244

* It is recommended that in those applications where sintered pads are supplied as Original Equipment, replacement pads should also be of sintered composition.

** To avoid brake imbalance sintered pads fitted in rear calipers should only be used in combination with front calipers containing sintered pads.



CC FROM → TO



NOTES



NOTES

...HONDA

CB 1100 HORNET	1100	1999	→	2000	(x2)	FDB2098	FDB2073
CB 1100 RBI - II	1100	1980	→	1983	(x2)	FDB244	FDB244
CB 1100 RC	1100	1980	→	1983	(x2)	FDB538	FDB538
CB 1100 RC ventilated discs	1100	1980	→	1983	(x2)	FDB538	FDB538
CB 1100 RCII	1100	1980	→	1983	(x2)	FDB244	FDB244
CBR 1100 XX Superblackbird	1100	1996	→	1997	(x2)	FDB2073	FDB2075
CBR 1100 XX Superblackbird	1100	1998	→		(x2)	FDB2098	FDB2098
CBX 1100 F	1100	1982	→	1985	(x2)	FDB538	FDB244
GL 1100	1100	1980	→	1981	(x2)	FDB182	FDB182
GL 1100 / DX	1100	1982	→		(x2)	FDB244	FDB244
ST 1100 PAN EUROPEAN	1100	1990	→	2000	(x2)	FDB570	FDB570
ST 1100 PAN EUROPEAN ABS/TCS	1100	1992	→	1995	(x2)	FDB570	FDB570
ST 1100 PAN EUROPEAN ABS/TCS (Dual brake)	1100	1996	→	2000	(x2)	FDB2098	FDB2075
VT 1100 C	1100	1985	→	1993		FDB244	FSB761
VT 1100 C MAGNA	1100	1983	→	1985	(x2)	FDB244	FDB244
VT 1100 C SHADOW	1100	1994	→			FDB570	FSB761
VT 1100 C2 SHADOW	1100	1995	→		(x2)	FDB570	FDB754
X 11 1100	1100	2000	→	2002	(x2)	FDB2073	FDB2075
GL 1200 DX all models	1200	1984	→	1986	(x2)	FDB244	FDB244
VFR 1200 FA (Manual Transmission) SC63	1237	2009	→		(x2)	FDB2259	FDB2253
VFR 1200 FAD-DCT (Automatic Transmission) SC63	1237	2009	→		(x2)	FDB2259	FDB2281
VFR 1200 XA Crosstourer (Manual Transmission) SC70	1237	2012	→		(x2)	FDB2196	FDB2281
VFR 1200 XD-DCT Crosstourer (Autom. Transm.) SC70	1237	2012	→		(x2)	FDB2196	FDB2281
VFR 1200 XD-DCT Crosstourer Highlander (Aut. Tr.) SC70	1237	2013	→		(x2)	FDB2196	FDB2281
CB 1300	1300	2001	→		(x2)	FDB2079	FDB754
CB 1300 S	1300	2011	→		(x2)	FDB2196	FDB754
CB 1300 SF	1300	1998	→	2000	(x2)	FDB2036	FDB2111
CB 1300 X4	1300	1997	→	2000	(x2)	FDB533	FDB2111
CTX1300	1300	2014	→		(x2)	FDB2196	FDB2098
ST 1300 PAN EUROPEAN / ABS	1300	2002	→		(x2)	FDB2098	FDB2098
ST 1300 PAN EUROPEAN / ABS	1300	2008	→		(x2)	FDB2196	FDB2098
VT 1300 CX	1300	2010	→			FDB664	FDB754
VTX 1300 S / C	1300	2003	→			FDB570	FDB754
GL 1500 FC6	1500	1997	→	1999	(x2)	FDB570	FDB570
GL 1500 GOLD-ASPENCADE	1500	1992	→		(x2)	FDB663	FDB244
GL 1500 SE GOLD WING	1500	1993	→	2000	(x2)	FDB663	FDB244
GL 1520	1500	1988	→	1989	(x2)	FDB665	FDB244
GL 1520 / 6 GOLD WING	1500	1988	→	1991	(x2)	FDB663	FDB665
GL 1800 GOLDWING	1800	2001	→		(x2)	FDB2098	FDB2098
VTX 1800	1800	2001	→		(x2)	FDB2098	FDB2098
GOLDWING F6B	1832	2012	→		(x2)	FDB2098	FDB2075
GOLDWING F6C	1832	2014	→		(x2)	FDB2114	FDB2075

HONDA-HM ITALIA

CRE 50 (from frame nr.2819)	50		→			FDB677	FDB828
CRE 50 (up to frame nr.1000)	50		→			FDB499	FDB475
CB 125	125	1979	→				FSB704
CRE Baja RR HM 125 2T	125	2011	→			FDB2242	FDB2139
DT 125	125	1987	→			FDB438	FSB704
MTX 125 R	125	1986	→			FDB438	FSB704
MTX 125 RALLY SPORT	125	1988	→			FDB438	FSB704
NS 125 F	125	1985	→			FDB438	FSB704
NS 125 R SUPER SPORT	125	1987	→		(x2)	FDB438	FSB704
NSR 125 R	125	1989	→			FDB438	FRP416
XL 125	125	1979	→			FSB704	FSB704
XL 125 L PARIS DAKAR	125	1985	→			FDB438	FSB704
XL 125 PARIS DAKAR	125	1984	→	1985		FSB704	FSB704
XL 125 R2	125	1987	→			FDB438	FSB704
XL 200 L	200	1985	→			FDB438	FSB704
XL 200 L PARIS DAKAR	200	1987	→			FDB438	FSB704
XL 200 R	200	1983	→			FSB704	FSB704
XL 200 R PARIS DAKAR	200	1984	→			FSB704	FSB704
XL 200 R2	200	1987	→			FDB438	FSB704

HOREX

REBELL 80 N	80		→			FDB213	
REBELL 80 SPORTL	80		→		(x2)	FDB213	
REBELL 80 T	80		→		(x2)	FDB213	

* It is recommended that in those applications where sintered pads are supplied as Original Equipment, replacement pads should also be of sintered composition.

** To avoid brake imbalance sintered pads fitted in rear calipers should only be used in combination with front calipers containing sintered pads.



CC FROM → TO



NOTES



NOTES

HRD

RP 80 CROSS	80	1983	→	FSB833	FSB833
FORMULA 125 LS	125	1986	→	FDB694	FDB694
PLATINO 125 SL	125	1986	→	FDB694	FDB694
PLATINO 125 ST	125	1986	→	FDB207	
ROAD 125 ST	125	1986	→	FDB207	
SILVER 125 HOUSE	125	1986	→	FDB694	FDB694

HSC

HSC 01 50	50	1992	→	FDB625	FSB714
SR 50 DIO	50	1992	→	FDB625	FSB714
ZR 50	50	1992	→	FDB625	FSB714
ZX 50 DIO	50	1992	→	FDB625	FSB714

HUSABERG

501 ENDURO	50	1992	→ 1993	FDB499	FDB314
FC 501	50	1998	→	FDB2018	FDB2005
FE 501 S - E	50	1998	→	FDB2018	FDB2005
FE 350 / 450 / 550 / 650 / E	350	1995	→	FDB2018	FDB2005
MC 350	350	1991	→ 1993	FDB499	FDB314
MC 350	350	1994	→	FDB499	FDB2005
FC 400	400	1999	→	FDB2018	FDB2005
FE 400 S - E	400	1998	→	FDB2018	FDB2005
FE 450	450	2003	→ 2006	FDB2018	FDB2005
FE 450 c	450	2006	→	FDB2245	FDB2005
500 all models	500	1991	→ 1992	FDB499	FDB314
500 all models	500	1993	→ 1995	FDB2018	FDB314
500 all models	500	1996	→	FDB2018	FDB2005
FC 350 / 450 / 550	550	1995	→	FDB2018	FDB2005
FE 550 E Strada	550	2008	→	FDB2018	FDB2005
FE 570	570	2009	→	FDB2018	FDB2005
600 ENDURO	600	1992	→ 1993	FDB499	FDB314
EF 600 E (Quad)	600	1998	→	FDB2005	FDB314
FC 600 SUPERMOTARD	600	1998	→	FDB2018	FDB2005
FE 600 S - E - R	600	1998	→	FDB2018	FDB2005
FE 600 SUPERMOTARD	600	2000	→ 2007	FRP408	FDB2005
FE 650 E	650	2006	→ 2008	FDB2018	FDB2005
FS 650 e, c	650	2006	→	FDB2245	FDB2005

HUSQVARNA

CR 50	50	2010	→ 2013	FDB2183	FDB2183
CR 50 Junior	50	2005	→	FDB2127	
CR 50 Senior Pro	50	2005	→	FDB2127	FDB2183
SM 50	50	2010	→ 2013	FDB2183	FDB2183
WRS 50 (SCOOTER)	50	1998	→ 2000	FRP405	FSB788
CR 65	65	2010	→ 2013	FDB2157	FDB2257
TC 85 (2T/ 17"/14" Wheels)	85	2014	→	FDB2262	FDB2257
TC 85 (2T/ 19"/16" Wheels)	85	2014	→	FDB2262	FDB2257
TE 100	100	2005	→	FDB2127	
125 ALL MODELS 1992	125	1992	→	FDB497	FDB250
125 ALL MODELS 1993	125	1993	→	FDB497	FDB661
125 ALL MODELS 1994-1995	125	1994	→ 1995	FDB2018	FDB2005
CR 125	125	1981	→ 1982	FSB850	FSB850
CR 125	125	1983	→ 1984	FSB812	FSB850
CR 125	125	1985	→ 1995	FDB207	FSB812
CR 125	125	1996	→ 2004	FDB2018	FDB2005
CR 125	125	2005	→ 2013	FDB2018	FDB2165
CR 125 CROSS	125	1991	→ 1995	FDB499	FDB314
ENDURO WR 125	125	2010	→	FDB2018	FDB2165
RC 125	125	1981	→ 1982	FSB850	FSB850
RC 125	125	1983	→ 1984	FSB812	FSB850
SM 125 S	125	2002	→ 2011	FDB2018	FDB2005
SM 125 S (4T)	125	2011	→	FDB2018	FDB2005
SM 125 S SUPERMOTARD	125	1998	→ 1999	FDB2018	FDB2005
TC 125 (2T)	125	2014	→	FDB2018	FDB2165
TE 125	125	2007	→ 2010	FDB2018	FDB539
TE 125 (2T)	125	2014	→	FDB2018	FDB2165
TE 125 (4T)	125	2011	→ 2013	FDB2018	FDB2005

* It is recommended that in those applications where sintered pads are supplied as Original Equipment, replacement pads should also be of sintered composition.

** To avoid brake imbalance sintered pads fitted in rear calipers should only be used in combination with front calipers containing sintered pads.



CC

FROM → TO



NOTES



NOTES

...HUSQVARNA

WR 125	125	1983 → 1985	FSB813	FSB850
WR 125	125	1986 →	FDB207	FSB812
WR 125	125	1987 → 1990	FDB499	FSB812
WR 125	125	1991 → 1997	FDB499	FDB314
WR 125	125	1998 → 2005	FDB2018	FDB2005
WR 125	125	2006 → 2013	FDB2018	FDB2165
WRE 125	125	1983 → 1984	FSB813	FSB850
WRE 125	125	1988 →	FDB499	FSB812
WRE 125	125	1989 → 1994	FDB499	FSB816
WRE 125	125	2000 → 2013	FDB2018	FDB2165
WRE 125 / DUAL	125	1994 → 1999	FDB2018	FDB2005
WXE 125	125	2007 →	FDB706	FDB539
CR 240	240	1981 → 1982	FSB812	FSB850
CR 240	240	1983 → 1986	FSB813	FSB850
CR 240	240	1987 →	FDB499	FSB812
RC 240	240	1981 → 1982	FSB812	FSB850
RC 240	240	1983 →	FSB813	FSB850
WR 240	240	1983 → 1984	FSB813	FSB850
WR 240	240	1985 →	FSB813	FSB812
WR 240	240	1986 →	FDB207	FSB812
WR 240	240	1987 → 1990	FDB499	FSB812
WR 240	240	1991 →	FDB499	FDB314
WRE 240	240	1983 →	FSB813	FSB850
WRK 240	240	1988 →	FDB499	FSB812
250 ALL MODELS 1992	250	1992 →	FDB497	FDB250
250 ALL MODELS 1993	250	1993 →	FDB497	FDB661
250 ALL MODELS 1994-1995	250	1994 → 1995	FDB2018	FDB2005
CR 250	250	1981 → 1982	FSB812	FSB850
CR 250	250	1983 → 1984	FSB813	FSB850
CR 250	250	1985 → 1995	FDB207	FSB812
CR 250	250	1996 →	FDB2018	FDB2005
CR 250	250	2005 → 2007	FDB2018	FDB2165
CR 250 CROSS	250	1991 → 1995	FDB499	FDB314
FC 250 (4T)	250	2014 →	FDB2018	FDB2165
FE 250 (2T)	250	2014 →	FDB2018	FDB2165
RC 250	250	1981 → 1982	FSB812	FSB850
RC 250	250	1983 →	FSB813	FSB850
SMS 250	250	2011 →	FDB2018	FDB2005
TC 250	250	2002 → 2003	FDB2018	FDB2005
TC 250	250	2005 → 2008	FDB2018	FDB2165
TC 250 (2T)	250	2014 →	FDB2018	FDB2165
TC 250 (4T)	250	2009 → 2013	FDB2018	FDB2165
TC 250 R	250	2013 →	FDB2018	FDB2165
TE 250 (2T)	250	2014 →	FDB2018	FDB2165
TE 250 (4T)	250	2002 → 2005	FDB2018	FDB2005
TE 250 (4T)	250	2006 → 2013	FDB2018	FDB2165
TE 250 Meo Replica (4T)	250	2011 → 2011	FDB2018	FDB2165
TE 250 R (4T)	250	2013 →	FDB2018	FDB2165
WR 250	250	1983 → 1986	FSB813	FSB850
WR 250	250	1987 → 1989	FDB499	FSB812
WR 250	250	1990 → 1991	FDB499	FDB314
WR 250	250	1992 → 1994	FDB499	FDB381
WR 250	250	1995 → 2008	FDB2018	FDB2005
WR 250 (2T)	250	2009 → 2013	FDB2018	FDB2005
WRE 250	250	1983 →	FSB813	FSB850
XC 250	250	1987 →	FDB499	FSB812
WR 260	260	1991 →	FDB499	FDB314
WRK 260	260	1988 →	FDB499	FSB812
TE 300 (2T)	300	2014 →	FDB2018	FDB2165
WR 300 (2T)	300	2009 → 2013	FDB2018	FDB2005
TE 310	310	2010 → 2013	FDB2018	FDB2165
TE 310 R (4T)	310	2013 →	FDB2018	FDB2165
FC 350 (4T)	350	2014 →	FDB2018	FDB2165
FE 350 (4T)	350	2015 →	FDB2018	FDB2165
TE 350	350	1990 → 1995	FDB499	FDB314
TE 350	350	1996 →	FDB2018	FDB2005
WR 360 ENDURO	360	1998 → 1999	FDB2018	FDB2005
RC 390	390	1978 → 1980	FSB850	FSB850
TE 400 E DUAL - ENDURO	400	1998 →	FDB2018	FDB2005
WR 400	400	1985 →	FSB813	FSB812
WR 400	400	1986 →	FDB207	FSB812
WR 400	400	1987 →	FDB499	FSB812

HUSQVARNA

* It is recommended that in those applications where sintered pads are supplied as Original Equipment, replacement pads should also be of sintered composition.

** To avoid brake imbalance sintered pads fitted in rear calipers should only be used in combination with front calipers containing sintered pads.



CC

FROM → TO



NOTES



NOTES

...HUSQVARNA

401 SVARTPILEN	401	2015	→	FDB2266	FDB2005
401 VITPILEN	401	2015	→	FDB2266	FDB2005
TE 410 E	410	2000	→	FDB2018	FDB2005
AE 430	430	1988	→	FDB499	FSB812
AUTO 430	430	1987	→	FDB499	FSB812
CR 430	430	1981	→ 1982	FSB812	FSB850
CR 430	430	1987	→	FDB499	FSB812
OR 430	430	1981	→ 1982	FSB812	FSB850
RC 430	430	1981	→ 1982	FSB812	FSB850
WR 430	430	1981	→ 1982	FSB812	FSB850
WR AE 430	430	1987	→	FDB499	FSB812
WRE 430	430	1981	→ 1982	FSB812	FSB850
XC 430	430	1981	→ 1982	FSB812	FSB850
XC 430	430	1987	→	FDB499	FSB812
SMR 449 (4T)	449	2011	→	FDB2120	FDB2165
TC 449	449	2011	→ 2013	FDB2018	FDB2165
TE 449	449	2011	→ 2013	FDB2018	FDB2165
FC 450 (4T)	450	2014	→	FDB2018	FDB2165
FE 450 (4T)	450	2014	→	FDB2018	FDB2165
FS 450 (4T)	450	2015	→	FDB2218	FDB2165
SM 450 R	450	2003	→ 2006	FRP408	FDB2005
SM 450 R Radial caliper	450	2007	→ 2010	FDB2120	FDB2165
SM 450 RR	450	2008	→ 2010	FDB2120	FDB2165
SM 450 RR (Radial Caliper)	450	2006	→ 2007	FDB2120	FDB2165
TC 450	450	2003	→ 2004	FDB2018	FDB2005
TC 450	450	2005	→ 2010	FDB2018	FDB2165
TE 450	450	2003	→ 2005	FDB2018	FDB2005
TE 450	450	2006	→ 2008	FDB2018	FDB2165
TE 450 (4T)	450	2009	→ 2010	FDB2018	FDB2165
CR 490	490	1983	→	FSB813	FSB850
AE 500	500	1984	→	FSB813	FSB850
CR 500	500	1985	→	FDB207	FSB812
TC 500	500	1984	→	FSB813	FSB850
XC 500	500	1987	→	FDB499	FSB812
FE 501 (4T)	501	2014	→	FDB2018	FDB2165
510	510	1986	→	FDB207	FSB812
SM 510 R	510	2005	→ 2005	FRP408	FDB2005
SM 510 R (Radial caliper)	510	2006	→ 2010	FDB2120	FDB2165
TC 510	510	1988	→	FDB499	FSB812
TC 510	510	2004	→ 2004	FDB2018	FDB2005
TC 510	510	2005	→ 2009	FDB2018	FDB2165
TE - AC - LC 510	510	1987	→	FDB499	FSB812
TE 510	510	1984	→ 1986	FSB813	FSB850
TE 510	510	1990	→	FDB499	FDB314
TE 510	510	2004	→ 2005	FDB2018	FDB2005
TE 510	510	2006	→ 2010	FDB2018	FDB2165
TX 510	510	1984	→	FSB813	FSB850
SMR 511	511	2011	→ 2013	FDB2120	FDB2165
TC 511	511	2011	→	FDB2018	FDB2165
TE 511 (4T)	511	2011	→ 2012	FDB2018	FDB2165
SM 530 RR	530	2008	→ 2010	FDB2120	FDB2165
SM 570 R	570		→ 2004	FRP408	FDB2005
TE 570	570		→ 2004	FDB2018	FDB2005
LT 600 DUAL	600	1998	→	FDB2042	FDB2018
SM 600 SUPERMOTARD	600	1998	→	FDB2042	FDB2005
TE 600	600	1996	→	FDB2018	FDB2005
TE 600 E DUAL - ENDURO	600	1998	→	FDB2018	FDB2005
WRK 600	600	1989	→	FDB499	FSB816
LT 610	610	2000	→ 2000	FDB2042	FDB2005
SM 610 (6 bolt front disc)	610	1998	→ 1999	FDB2042	FDB2005
SM 610 IE	610	2007	→ 2009	FDB2120	FDB2005
SM 610 R	610	2000	→ 2011	FDB2042	FDB2005
SM 610 S (Radial caliper)	610	2006	→ 2006	FDB2120	FDB2005
SM 610/S (4 bolt front disc)	610	2002	→ 2006	FDB2042	FDB2005
TC 610	610	1996	→	FDB2018	FDB2005
TC 610 CROSS	610	1991	→	FDB497	FDB250
TE 610	610	1991	→	FDB497	FDB250
TE 610 E	610	1995	→ 2000	FDB2018	FDB2005
TE 610 E	610	2003	→ 2004	FDB2018	FDB2005
TE 610/IE	610	2006	→ 2009	FDB2018	FDB2005
SMR 630	630		→ 2006	FRP408	FDB2005
SMR 630 (4T)	630	2010	→ 2012	FDB2120	FDB2005

* It is recommended that in those applications where sintered pads are supplied as Original Equipment, replacement pads should also be of sintered composition.

** To avoid brake imbalance sintered pads fitted in rear calipers should only be used in combination with front calipers containing sintered pads.

1040



CC FROM → TO



NOTES



NOTES

...HUSQVARNA

STR 650 CRC	630	2007	→		FDB2120		FDB2005
TE 630	630	2010	→	2012	FDB2018		FDB2005
BAJA	650	2013	→		FDB2006		FDB2005
Moab	650	2012	→		FDB2006		FDB2005
SMR 650	650	2007	→		FDB2123		FDB2005
STR 650	650	2007	→		FDB2120		FDB2005
TR 650 Strada (Cast Wheel)	650	2012	→	2013	FDB2006		FDB2005
TR 650 Terra (Spoke Wheel)	650	2012	→	2013	FDB2006		FDB2005
701 SUPERMOTO	690	2015	→		FDB2120		FDB2005
NUDA 900	900	2012	→	(x2)	FDB2260		FDB2005
NUDA 900 ABS	900	2013	→	(x2)	FDB2260		FDB2005
NUDA 900 R	900	2012	→	(x2)	FDB2099		FDB2005
NUDA 900 R ABS	900	2013	→	(x2)	FDB2099		FDB2005

HYOSUNG

Electric GEM 4.0		2010	→		FDB631		FDB631
AVANTI 50	50	1999	→		FDB313		
RUSH 50	50	1997	→		FDB313		
SENSE 50	50	1998	→		FDB313		
SF 50 / RALLY / RACING	50	1999	→		FDB313		
SUPER CAB 50	50	1995	→	1997	FDB313		
SUPER CAB 50 PLUS	50	1998	→		FDB313		
CAB 100	100	1998	→		FDB313		
KR 110 MASTER	110	2004	→		FDB313		FSB722
MIDAS 110 PLUS	110	1998	→		FDB313		
COMET 125 / GT 125R	125	2004	→		FDB312		FDB312
GRAND PRIX 125	125	1998	→		FDB680		
GV 125 AQUILA	125	2001	→		FDB312		FSB776
HYPER 125	125	1999	→		FDB680		
KARION RT 125 D	125	2002	→		FDB312		FSB776
MS3 125	125	2006	→		FDB497		
MS3 125	125	2006	→		FDB631		FDB631
RX 125	125	2001	→	2007	FDB312		FSB721
RX 125 SM	125	2007	→		FDB312		FDB312
V2 125	125	1999	→		FDB570		
XRX 125 OFFROAD	125	1999	→		FDB312		FSB776
GRAND PRIX 150	150	1998	→		FDB680		
COMET 250 / GT 250R	250	2004	→	(x2)	FDB312		FDB312
GV 250 AQUILA	250	2001	→		FDB312		FSB776
MS3 250	250	2006	→		FDB497		
MS3 250	250	2006	→		FDB631		FDB631
GA 300	300	1998	→		FDB339		
COMET GT 650	650	2006	→	2009 (x2)	FDB312		FDB312
COMET GT 650 / R	650	2010	→	(x2)	FDB2178		FDB312
COMET GT 650R	650	2004	→	2009 (x2)	FDB312		FDB312
GT 650 R / S	650	2004	→	(x2)	FDB312		FDB312
GV 650	650	2004	→	2005	FDB312		FDB2156
GV 650 AQUILA	650	2006	→	(x2)	FDB312		FDB312
AQUILA GV 700	700	2010	→	(x2)	FDB2178		FDB312
GV 1000	1000	2004	→		FDB312		FDB2156

INDIAN

Bomber (Brembo Calipers)		2010	→	2011 (x2)	FRP408		FDB108
Chief All models Chief/Deluxe/Springfield/Roadmaster/Vintage		2002	→	2008	FDB2040		FDB2040
Chief Blackhawk (Brembo calipers)			→	2011 (x2)	FRP408		FDB108
Chief Blackhawk Dark (Brembo calipers)			→	2011 (x2)	FRP408		FDB108
Chief Classic (Brembo calipers)		2011	→	2013 (x2)	FRP408		FDB108
Chief Classic (Spoke Wheel/Nissin calipers)		2014	→	2015 (x2)	FDB2158		FDB664
Chief Deluxe (Brembo calipers)			→	2009 (x2)	FRP408		FDB108
Chief Roadmaster (Brembo calipers)		2009	→	2011 (x2)	FRP408		FDB108
Chief Standard (Brembo calipers)		2009	→	2011 (x2)	FRP408		FDB108
Chief Vintage (Brembo calipers)		2009	→	2013 (x2)	FRP408		FDB108
Chief Vintage (Spoke Wheel/Nissin calipers)		2014	→	2015 (x2)	FDB2158		FDB664
Chieftain (Cast Wheel/Nissin calipers)		2014	→	2015	FDB2158		FDB664
Dark Horse (Brembo calipers)		2010	→	2013 (x2)	FRP408		FDB108
Road Master/Vintage		2002	→	2008	FDB2040		FDB2040
Scout All models Scout/Deluxe/Springfield		2002	→	2008	FDB2040		FDB2040
Spirit All models Deluxe/Springfield/Roadblaster		2002	→	2008	FDB2040		FDB2040

* It is recommended that in those applications where sintered pads are supplied as Original Equipment, replacement pads should also be of sintered composition.

** To avoid brake imbalance sintered pads fitted in rear calipers should only be used in combination with front calipers containing sintered pads.



CC FROM → TO



NOTES



NOTES

INNOCENTI

LAMBRETTA J 50	50	→		FSB840	FSB840
LAMBRETTA J 100	100	→		FSB842	FSB842
LAMBRETTA 125 DL	125	→		FSB843	FSB843
LAMBRETTA 125 LI	125	→		FSB839	FSB839
LAMBRETTA J 125	125	→		FSB842	FSB842
LAMBRETTA 150 DL	150	→		FSB843	FSB843
LAMBRETTA 150 LI	150	→		FSB839	FSB839
LAMBRETTA 175 LI	175	→		FSB839	FSB839
LAMBRETTA 175 TV II	175	→			FSB839
LAMBRETTA 200 DL	200	→		FSB843	FSB843
LAMBRETTA 200 DL (con kit anteriore x pastiglia)	200	→			FSB843

ITALJET

ADLY 50	50	1990 → 1995			FSB731
BAZOOKA 1 50	50	1991 →	FSB914		FSB862
BAZOOKA 2 50	50	1992 → 1997	FDB636		FSB862
CRUISE 50	50	1995 → 1998	FDB636		
DRAGSTER 50	50	1998 → 2003	FRP405		FRP405
FORMULA 50	50	1994 → 1996	FDB784		FDB680
FORMULA 50	50	1997 → 2003	FRP405		FRP405
PISTA 2 50	50	1992 → 1996	FDB636		FSB862
REPORTER 50	50	1990 → 1993	FSB914		FSB862
RG 50	50	1998 →	FRP405		
SCOOP 50	50	1993 →	FDB636		FSB862
SHOPPING 50	50	1990 →	FSB910		FSB889
T 50	50	→	FSB837		FSB837
TORPEDO 50	50	1997 →	FRP405		FSB777
VELOCIFERO 50	50	1994 → 2002	FSB762		FSB777
YANKEE 8 50	50	1994 →	FDB636		FSB862
FORMULA 80	80	1994 →	FDB784		FDB680
MILLENNIUM 100	100	2000 → 2001	FDB383		FSB947
MILLENNIUM 100	100	2002 → 2003	FDB2128		FSB947
T 100	100	→	FSB837		FSB837
DRAGSTER 125	125	1999 →	FRP405		
DRAGSTER 125	125	2000 → 2003	FRP405		FRP405
FORMULA 125	125	1994 → 1996	FDB784		FDB680
FORMULA 125	125	1997 → 2003	FRP405		FRP405
JET SET 125	125	2002 → 2003	FDB2128		
JUPITER 125	125	2001 →	FDB2003		FDB2083
JUPITER 125 / 150 / 250	125	2002 → 2003	FDB2003		FDB2147
MILLENNIUM 125	125	2000 → 2001	FDB383		FSB947
MILLENNIUM 125	125	2001 → 2003	FDB2128		FSB947
RANGER 125	125	1985 →	FSB837		FSB837
SKIPPER 125	125	1985 →	FSB837		FSB837
T 125	125	→	FSB837		FSB837
TORPEDO 125	125	1999 → 2003	FRP405		
TWIN 125	125	1998 → 2000	FRP405		FRP405
JET SET 150	150	2002 → 2003	FDB2128		
MILLENNIUM 150	150	2000 → 2001	FDB383		FSB947
MILLENNIUM 150	150	2001 → 2003	FDB2128		FSB947
DRAGSTER 180	180	1999 →	FRP405		
DRAGSTER 180	180	2000 → 2003	FRP405		FRP405
JUPITER 250	250	2001 →	FDB2003		FDB2083
JUPITER 250	250	2002 →	FDB2003		FDB2147
T 250	250	→	FSB837		FSB837
T 250 PIUMA	250	1985 →	FSB837		FSB837
BOSS 350 4 T	350	→	FSB837		FSB837
BOSS 350 ENDURO	350	→	FDB207		FSB837
CUSTOM 350	350	1985 →	FSB837		
CX 350	350	1985 →	FDB207		FSB837
EXPLORER 350	350	1985 →	FSB837		FSB837
H&H 350 2 T	350	→	FSB837		FSB837
ROAD MASTER 350	350	→	FDB207		
SCOTT 350 4 T	350	→	FSB837		FSB837
T 350 PIUMA	350	1985 →	FSB837		FSB837
GRIFON 650	650	2007 →	(x2) FDB312		
GRIFON 900	900	2001 →	FRP408		

* It is recommended that in those applications where sintered pads are supplied as Original Equipment, replacement pads should also be of sintered composition.

** To avoid brake imbalance sintered pads fitted in rear calipers should only be used in combination with front calipers containing sintered pads.



CC

FROM → TO



NOTES



NOTES

KAWASAKI

AE 50 - A1 - A2	50	1981 → 1982	FSB722	FSB722
AR 50	50	1981 → 1995	FDB313	FSB722
KMX 50	50	1988 →	FDB313	FSB722
KSR 50 I/II	50	1990 → 1991	FDB313	FDB314
KX 60 A1 - A2 - B1/6	60	1985 → 1991	FSB802	FSB802
KX 60 B9	60	1993 → 2004	FDB494	
KX 65	65	1999 →	FDB2110	FDB250
KX 65	65	2000 →	FDB2110	FDB250
AE 80 A1 - B1	80	1981 → 1982	FSB722	FSB722
AR 80	80	1981 → 1982	FDB313	FSB722
KD 80	80	1988 → 1990	FDB313	FSB716
KX 80 B1 - B2 - D1 - D2	80	1979 → 1983	FSB798	FSB798
KX 80 E1	80	1983 →	FSB801	FSB802
KX 80 E2	80	1984 → 1986	FDB313	FSB802
KX 80 H - K2	80	1987 → 1987	FDB314	FSB802
KX 80 R3	80	1993 → 1996	FDB313	FDB381
KX 80 R7-T7-W1/2-Y1/2	80	1997 → 2000	FDB2080	FDB381
KX 80 S1 - V1	80	1988 → 1991	FDB313	FDB381
KX 80 S1 - V1	80	1992 →	FDB661	FDB314
KX 85 / 85-2 A1 / B1	85	2001 →	FDB2080	FDB381
KC 100 C1/2/3/4	100	1980 → 1983	FSB722	FSB722
KE 100 all models	100	1979 → 1991	FSB722	FSB722
KH 100 A2 - A4	100	1978 → 1981	FSB721	FSB722
KH 100 G2 - G3	100	1981 → 1982		FSB722
KH 100 G4	100	1983 →	FDB314	FSB722
KM 100 A4 - A6	100	1978 → 1981	FSB721	FSB722
KX 100	100	1988 → 1991	FDB313	FDB381
KX 100 B7 / C1 / C2 / C3	100	1997 → 2000	FDB2080	FDB381
KLX 110 R	110	2002 →	FSB802	FSB722
KAZER 115 R	115	1998 → 1999	FDB631	FSB722
AR 125 A1 - LC	125	1982 → 1994	FDB314	FSB721
BN 125 A1/A2 ELIMINATOR	125	1998 → 1999	FDB250	FSB721
BN 125 A3/A4 ELIMINATOR	125	2000 →	FDB631	FSB721
KDX 125 A1	125	1990 → 1994	FDB313	FDB659
KE 125 A4 - A10	125	1976 → 1985	FSB797	FSB721
KH 125 A1 -A3	125	1977 → 1981		FSB716
KH 125 EX	125	1982 → 1983	FDB314	FSB721
KH 125 K1	125	1982 → 1998	FDB250	FSB721
KH 125 K2-4 - L1	125	1982 → 1983	FDB314	FSB721
KLX 125 A	125	2003 → 2006	FSB723	FSB723
KLX 125 C	125	2010 →	FDB497	FDB250
KLX 125 D (D-Tracker)	125	2010 →	FDB497	FDB250
KLX 125 L	125	2003 → 2006	FDB2133	FSB723
KMX 125	125	1986 → 2001	FDB313	FDB314
KX 125	125	1986 →	FDB314	FDB314
KX 125	125	1989 → 1994	FDB497	FDB659
KX 125	125	1996 → 2002	FDB892	FDB539
KX 125	125	2003 →	FDB892	FDB539
KX 125 A3 - A7	125	1974 → 1980	FSB797	FSB721
KX 125 B1	125	1981 →	FDB313	FSB721
KX 125 B2 - C1	125	1982 → 1985	FDB314	FSB716
KX 125 E2 - D1 - E2	125	1987 → 1988	FDB494	FDB314
KX 125 K2-K4	125	1995 →	FDB892	FDB659
KDX 175 all models	175	1980 → 1982	FSB797	FSB721
KE 175 B1 -B3	175	1976 → 1978	FSB797	FSB797
KE 175 D1 - D5	175	1979 → 1983	FSB797	FSB717
KDX 200 A1 - A2	200	1983 → 1985	FSB717	FSB716
KDX 200 C1	200	1986 → 1988	FDB314	FSB716
KDX 200 E1	200	1989 →	FDB314	FDB659
KDX 200 E6 / H1 - H3	200	1994 → 2003	FDB892	FDB659
KDX 200 SR	200	1990 → 1993	FDB497	FDB659
KMX 200	200	1988 → 1992	FDB313	FDB314
VN 200	200	2007 →	(x2) FDB574	FDB2049
Z 200 A1 - A5	200	1977 → 1982		FSB721
Z 200 A6	200	1983 →	FDB314	FSB721
KDX 220 RA4	220	1997 → 2003	FDB892	FDB659
BJ 250 B1-B7A Estrella	250	1992 → 1999	FDB314	FDB314
BJ 250 C1-C7 Estrella-RS	250	1999 → 2002	FDB314	FDB314
BJ 250 D1-D7 Estrella Custom	250	1996 → 2002	FSB950	FSB718
BJ 250 E1-E4A Estrella RS Custom	250	1996 → 1999	FSB950	FSB718
BJ 250 F1/F2 (250 TR)	250	2002 → 2003	FDB2049	FSB718
EL 250 all models	250	1991 → 1994	FDB339	FSB718

* It is recommended that in those applications where sintered pads are supplied as Original Equipment, replacement pads should also be of sintered composition.

** To avoid brake imbalance sintered pads fitted in rear calipers should only be used in combination with front calipers containing sintered pads.



CC

FROM → TO



NOTES



NOTES

...KAWASAKI

EX 250 H1 - H2	250	1990 →	FDB481	FDB314
EX 250 NINJA	250	1986 → 1987	FDB339	FDB339
GPX 250 R NINJA	250	1987 → 1995	FDB481	FDB508
GPZ 250	250	1985 → (x2)	FDB314	FDB339
KDX 250 B1	250	1979 →	FSB799	FSB724
KDX 250 BALIUS	250	1991 → 1993	FDB481	FDB314
KDX 250 K2-K4	250	1995 →	FDB892	FDB539
KDX 250 SR-D	250	1991 → 1993	FDB497	FDB659
KH 250 B1 - S	250	1977 → 1982	FDB132	FSB793
KL 250 A1 - A2	250	1978 → 1979	FSB799	FSB724
KL 250 A3 - A4	250	1980 → 1984	FSB797	FSB717
KL 250 C1	250	1980 → 1984	FSB797	FSB717
KL 250 SUPER SHERPA	250	2000 →	FDB2080	FDB314
KLE 250 ANHELO	250	1993 → 1999	FDB481	FDB314
KLE 250 ANHELO	250	2000 → 2002	FDB481	FDB2015
KLR 250 all models	250	1984 → 2000	FDB314	FSB717
KLX 250	250	1993 →	FDB497	FDB659
KLX 250	250	1995 → 1997	FDB892	FDB659
KLX 250	250	2000 →	FSB797	FSB721
KLX 250	250	2008 →	FDB497	FDB2162
KLX 250 H1 SUPER SHERPA	250	1998 → 2005	FDB2080	FDB314
KMX 250	250	1989 →	FDB314	FDB314
KR-1 250	250	1988 →	FDB481	FDB508
KR-1 250	250	1989 → (x2)	FDB508	FDB508
KR-1 250 C1 - C3	250	1990 → 1992 (x2)	FDB574	FDB508
KX 250	250	1986 →	FDB314	FDB314
KX 250	250	1989 → 1994	FDB497	FDB659
KX 250	250	1994 → 1995	FDB892	FDB659
KX 250	250	1996 → 2002	FDB892	FDB539
KX 250	250	2003 →	FDB892	FDB539
KX 250 A all models	250	1974 → 1981	FSB799	FSB724
KX 250 B1	250	1982 →	FDB313	FSB721
KX 250 B2 - B3	250	1980 → 1981	FSB799	FSB721
KX 250 C1 - C2	250	1983 → 1985	FDB314	FSB721
KX 250 E1 - F1	250	1987 → 1988	FDB494	FDB314
KX 250 F	250	2004 →	FDB892	FDB2162
LX 250 ELIMINATOR - SE	250	1990 →	FDB339	
NINJA 250R (EX250K)	250	2008 → 2012	FDB631	FDB631
NINJA 250SL (BX250A)	250	2015 →	FDB631	FDB631
S1 250 B	250	1975 →	FSB800	FSB793
SC 250 EPSILON	250	2002 →	FDB2085	FDB2132
Z 250	250	1983 → (x2)	FDB339	FSB718
Z 250 A1 - A2	250	1978 → 1980	FDB132	
Z 250 A3	250	1981 → 1983	FDB298	
Z 250 B1 - B2	250	1980 → 1983	FSB800	FSB718
Z 250 C1 - C2	250	1981 → 1983	FSB800	FSB721
Z 250 G1 - G2	250	1981 → 1983	FSB800	FSB721
Z 250 GP BELT DRIVE	250	1983 → (x2)	FDB339	FSB718
Z 250 J1	250	1981 → 1983	FDB298	
Z 250 LTD	250	1983 →	FSB800	FSB721
Z250SL (BR250E)	250	2015 →	FDB631	FDB631
ZXR 250	250	1989 → (x2)	FDB508	FDB314
ZZR 250 (EX 250 H)	250	1990 → 1993 (x2)	FDB481	FDB314
KLX 300 R	300	1997 → 2003	FDB892	FDB539
NINJA 300 (EX300A)	300	2013 →	FDB631	FDB631
Z300	300	2015 →	FDB631	FDB631
GPZ 305 A1	305	1983 → 1996 (x2)	FDB314	FSB718
GPZ 305 B2 - B3	305	1983 → 1996 (x2)	FDB314	FSB718
GPZ 305 BELT DRIVE	305	1983 → 1996 (x2)	FDB314	FSB718
EX 4 400	400	1995 → (x2)	FDB481	FDB314
GPX 400	400	1985 → (x2)	FDB314	FDB339
GPX 400 R	400	1987 → (x2)	FDB508	FDB481
GPX 400 R	400	1988 → (x2)	FDB508	FDB508
GPZ 400	400	1983 → 1984 (x2)	FDB299	FDB298
GPZ 400	400	1985 → 1987 (x2)	FDB314	FDB339
GPZ 400 R	400	1990 → (x2)	FDB508	FDB481
KH 400 A3-5	400	1976 → 1981	FDB132	FSB793
KLE 400	400	1991 →	FDB481	FDB314
KLE 400 VULCAN	400	1990 →	FDB339	
LX 400 ELIMINATOR - SE	400	1990 → (x2)	FDB314	
VN 400 CLASSIC	400	1999 →	FDB2048	FSB719
VN 400 VULCAN	400	1995 →	FDB339	FSB719

* It is recommended that in those applications where sintered pads are supplied as Original Equipment, replacement pads should also be of sintered composition.

** To avoid brake imbalance sintered pads fitted in rear calipers should only be used in combination with front calipers containing sintered pads.



CC

FROM → TO



NOTES



NOTES

...KAWASAKI

XANTUS 400	400	1992 →		FDB508		FDB314	
Z 400 F2	400	1985 → 1987	(x2)	FDB314		FDB339	
Z 400 G1	400	1979 →		FDB132		FSB718	
Z 400 GP (M1)	400	1983 →	(x2)	FDB299		FDB298	
Z 400 J1 LTD	400	1980 → 1981		FDB132		FSB719	
Z 400 J2 - J3	400	1981 → 1983	(x2)	FDB299		FSB719	
ZL 400	400	1986 → 1987		FDB339		FSB719	
ZL 400 ELIMINATOR	400	1988 → 1992		FDB339		FDB339	
ZL 400 ELIMINATOR	400	1993 →		FDB481		FDB339	
ZR 400 A1 - F	400	1983 →	(x2)	FDB314		FSB718	
ZR 400 ZEPHYR	400	1993 → 1995	(x2)	FDB481		FDB2012	
ZR 400 ZEPHYR (ZR-C)	400	1989 → 1992	(x2)	FDB481		FDB508	
ZRX 400	400	1998 →		FDB873		FDB2012	
ZRX 400 (ZR 400 E2)	400	1999 → 2001	(x2)	FDB2124		FDB2012	
ZX 4 400	400	1988 →		FDB508		FDB508	
ZX 400 C2	400	1985 →	(x2)	FDB314		FDB339	
ZX 400 L	400	1992 →	(x2)	FDB741		FDB338	
ZXR 400	400	1991 →	(x2)	FDB574		FDB338	
ZXR 400	400	1994 →	(x2)	FDB481		FDB2012	
ZXR 400 (ZX400-L)	400	1992 →	(x2)	FDB741		FDB338	
ZZR 400	400	1990 → 1992	(x2)	FDB574		FDB481	
ZZR 400	400	1993 →	(x2)	FDB574		FDB2012	
KX 420 A1 - A2	420	1980 →		FSB799		FSB724	
Z 440 A2 - C1	440	1979 → 1982		FDB132		FSB718	
Z 440 C2	440	1981 →		FDB298		FSB718	
Z 440 D2 - D4 LTD	440	1979 → 1982		FDB132		FSB718	
Z 440 D5 LTD	440	1981 → 1983		FDB298		FSB718	
Z 440 H1 - H2	440	1981 → 1983		FDB298		FSB718	
KLX 450 R	450	2007 →		FDB892		FDB2162	
KX 450 F	450	2006 →		FDB892		FDB2162	
LTD450 (EN450 A1-A5)	454	1986 → 1989		FDB339		FSB719	
EN 500 all models	500	1990 → 1993		FDB339		FSB719	
ER-5 500 (ER)	500	1997 → 2000		FDB481		FSB718	
ER-5 500 (ER)	500	2001 →		FDB2048		FSB718	
EX 500 all models	500	1987 → 1991		FDB481		FSB718	
GPZ 500 S	500	1987 →		FDB339		FSB718	
GPZ 500 S	500	1988 →		FDB314		FSB718	
GPZ 500 S	500	1989 → 1992	(x2)	FDB314		FDB339	
GPZ 500 S	500	1993 →	(x2)	FDB574		FDB481	
GPZ 500 S	500	1994 → 1997	(x2)	FDB481		FDB314	
KH 500 A8	500	1976 →		FDB132		FSB794	
KH 500 H1 -B/D/E	500	1974 → 1975				FSB794	
KLE 500	500	1991 →		FDB481		FDB314	
KR 500 ES	500	1993 →		FDB497		FDB659	
KX 500	500	1986 →		FDB314		FDB314	
KX 500	500	1989 → 1994		FDB497		FDB659	
KX 500	500	1994 → 1995		FDB892		FDB659	
KX 500 A1 - A2	500	1983 → 1985		FDB314		FSB721	
KX 500 C1	500	1987 → 1988		FDB494		FDB314	
KX 500 E8/E9	500	1996 →		FDB892		FDB539	
Z 500 A1 - A3	500	1979 → 1980	(x2)	FDB132		FDB151	
Z 500 B1 - B3	500	1979 → 1980	(x2)	FDB132		FDB151	
Z 500 F	500	1983 →	(x2)	FDB314		FSB718	
ZR 500 A1	500	1983 →	(x2)	FDB314		FSB718	
ZZ-R 500	500	1990 →	(x2)	FDB574		FDB481	
A1 550 LTD	550	1980 →	(x2)	FDB132		FSB719	
Z 550 A1	550	1980 →	(x2)	FDB132		FSB719	
Z 550 A3 - C1 - C2 LTD	550	1980 →	(x2)	FDB299		FSB719	
Z 550 F	550	1983 → 1984	(x2)	FDB314		FSB718	
Z 550 G1 SHAFT	550	1983 →	(x2)	FDB314		FSB719	
Z 550 GP	550	1984 →	(x2)	FDB299		FDB298	
Z 550 GP D1 - H1 - H2	550	1981 → 1983	(x2)	FDB299		FDB298	
Z 550 GT - SPORT	550	1983 →	(x2)	FDB314		FSB719	
ZEPHYR 550	550	1991 →	(x2)	FDB481		FDB508	
ZR 550 A1	550	1983 → 1984	(x2)	FDB314		FSB718	
ZR 550 ZEPHYR	550	1990 → 1992	(x2)	FDB481		FDB508	
ZR 550 ZEPHYR	550	1993 → 1999	(x2)	FDB481		FDB2012	
KLR 570	570	1988 →		FDB314		FSB721	
ZX 6RR (ZX 599 B1)	599	2003 → 2006	(x2)	FDB2164		FDB2012	
ZX 6RR (ZX 599 B1) - Racing Applications	599	2003 → 2006	(x2)	FDB2203		FDB2012	
GPX 600 R (ZX)	600	1988 → 1996	(x2)	FDB481		FDB481	
GPX 600 R WARBIRD	600	1988 → 1996	(x2)	FDB481		FDB481	

* It is recommended that in those applications where sintered pads are supplied as Original Equipment, replacement pads should also be of sintered composition.

** To avoid brake imbalance sintered pads fitted in rear calipers should only be used in combination with front calipers containing sintered pads.



CC

FROM → TO



NOTES



NOTES

...KAWASAKI

GPZ 600 R	600	1985 → 1989	(x2)	FDB339	FDB339
KLE 600	600	1992 →		FDB481	FDB314
KLR 600	600	1984 → 1988		FDB314	FSB721
KLR 600 ELECTRIC STARTER	600	1985 →		FDB314	FSB721
KLR 600 S	600	1992 →		FDB314	FSB721
KLX 600 R	600	1993 →		FDB892	FDB659
ZL 600 A1/A2	600	1985 → 1994		FDB339	FSB719
ZL 600 B1 ELIMINATOR	600	1995 → 1997		FDB481	FSB719
ZX 6R 600 D1-D2 (DX 6)	600	1990 → 1993	(x2)	FDB574	FDB481
ZX 6R 600 NINJA	600	1994 → 1997	(x2)	FDB574	FDB2012
ZX 6R 600 NINJA	600	1998 → 2001	(x2)	FDB873	FDB2012
ZX 6R 600 NINJA	600	2007 →	(x2)	FDB2220	FDB2012
ZX 6R 600 NINJA (Racing Applications)	600	1998 → 2001	(x2)	FDB2144	FDB2012
ZZR 600	600	1990 → 1992	(x2)	FDB574	FDB481
ZZR 600	600	1993 →	(x2)	FDB574	FDB2012
ZX 6R (ZX 636 K1)	636	2003 → 2006	(x2)	FDB2164	FDB2012
ZX 6R (ZX 636 K1) - Racing Applications	636	2003 → 2006	(x2)	FDB2203	FDB2012
ZX 6R 636 NINJA	636	2013 →	(x2)	FDB2079	FDB2221
ER-6 650 F / N (left)	650	2005 →		FDB2048	
ER-6 650 F / N (right)	650	2005 →		FDB2049	FDB2012
KL 650 TENGAI	650	1989 → 1992		FDB481	FDB314
KLE VERSYS 650 (left) NO ABS&ABS	650	2007 → 2010		FDB2048	FDB2012
KLE VERSYS 650 (left) NO ABS&ABS	650	2011 →		FDB2048	FDB2012
KLE VERSYS 650 (right) NO ABS&ABS	650	2007 → 2010		FDB2049	
KLE VERSYS 650 (right) NO ABS&ABS	650	2011 →		FDB2049	
KLE VERSYS 650 NO ABS&ABS	650	2015 →	(x2)	FDB892	
KLR 650	650	1987 → 1994		FDB494	FDB314
KLR 650	650	1995 →		FDB2048	FDB314
KLR 650	650	2008 →		FDB497	FDB631
KLX 650 R	650	1993 → 1997		FDB892	FDB659
Vulcan650 S	650	2015 →		FDB2073	FDB754
W 650	650	1999 →		FDB2049	FSB718
Z 650 B1 - B3	650	1979 → 1981		FDB132	FSB719
Z 650 C1 - C2 - C3	650	1976 → 1977	(x2)	FDB132	
Z 650 D2 - D3	650	1978 → 1981	(x2)	FDB132	
Z 650 F1	650	1979 → 1980	(x2)	FDB132	FSB719
Z 650 F2 - F4	650	1980 → 1983	(x2)	FDB299	FSB719
Z 650 SR	650	1978 → 1981	(x2)	FDB132	
750 BELT DRIVE	750	1985 → 1987	(x2)	FDB339	FDB339
750 TURBO	750	1985 → 1987	(x2)	FDB339	FDB339
750 VULCAN	750	1989 → 1993	(x2)	FDB339	FSB719
GPX 750 BLACKBIRD	750	1988 → 1989	(x2)	FDB481	FDB481
GPX 750 WARBIRD	750	1988 → 1989	(x2)	FDB481	FDB481
GPZ 750	750	1985 → 1986	(x2)	FDB339	FDB339
GPZ 750 R - G2-3	750	1987 →	(x2)	FDB481	FDB481
GPZ 750 R1	750	1985 → 1987	(x2)	FDB339	FDB339
GT 750	750	1985 → 1996	(x2)	FDB299	FDB298
VN 750	750	1988 → 1989	(x2)	FDB339	FDB339
VN 750 TWIN	750	1986 → 1987	(x2)	FDB339	FSB719
VN 750 VULCAN	750	1990 → 1994	(x2)	FDB339	FSB719
Z 750 / Z 750 S	750	2007 →	(x2)	FDB570	FDB754
Z 750 / Z 750 S (left)	750	2004 → 2006		FDB2048	FDB2012
Z 750 / Z 750 S (right)	750	2004 → 2006		FDB2049	
Z 750 B1 - B2	750	1977 → 1978		FDB132	FDB132
Z 750 D1	750	1976 → 1978	(x2)	FDB132	FDB132
Z 750 E1	750	1980 →	(x2)	FDB299	FDB298
Z 750 GP	750	1983 →	(x2)	FDB339	FDB339
Z 750 GP R1	750	1982 →	(x2)	FDB299	FDB298
Z 750 H1 - H2 LTD	750	1980 →	(x2)	FDB299	FDB298
Z 750 L1 - L3	750	1981 →	(x2)	FDB299	FDB298
Z 750 LTD TWIN K1	750	1983 →	(x2)	FDB298	FSB719
Z 750 P1	750	1981 →	(x2)	FDB299	FDB298
Z 750 P2 SHAFT	750	1981 →	(x2)	FDB299	FDB298
Z 750 P2 SHAFT GT	750	1981 →	(x2)	FDB299	FDB298
Z 750 R	750	2011 →	(x2)	FDB2220	FDB754
Z 750 SPORT	750	1984 →	(x2)	FDB299	FDB298
Z 750 Y1 LTD	750	1982 →	(x2)	FDB299	FSB719
ZR 750	750	1991 → 1995	(x2)	FDB481	FDB481
ZR 750 ZEPHYR	750	1991 → 1993	(x2)	FDB481	FDB508
ZR 750 ZEPHYR	750	1996 →		FDB2048	FDB481
ZR-7 750 (left)	750	1999 →		FDB2048	FDB2049
ZR-7 750 (right)	750	1999 →		FDB2049	

* It is recommended that in those applications where sintered pads are supplied as Original Equipment, replacement pads should also be of sintered composition.

** To avoid brake imbalance sintered pads fitted in rear calipers should only be used in combination with front calipers containing sintered pads.

1046



CC

FROM → TO



NOTES



NOTES

...KAWASAKI

ZR-7S 750 (left)	750	2001	→		FDB2048	FDB2049	
ZR-7S 750 (right)	750	2001	→		FDB2049		
ZX 750 A1	750	1983	→ 1985	(x2)	FDB339	FDB339	
ZX 750 E1 TURBO	750	1983	→ 1985	(x2)	FDB339	FDB339	
ZX 750 F2 NINJA	750	1988	→	(x2)	FDB481	FDB481	
ZX-7 750 R NINJA	750	1989	→ 1995	(x2)	FDB574	FDB338	
ZX-7 750 R NINJA	750	1996	→ 2003	(x2)	FDB873	FDB338	
ZX-7 750 R NINJA (Racing Applications)	750	1996	→ 2003	(x2)	FDB2144	FDB338	
ZX-7 750 RR NINJA N1	750	1996	→ 1999	(x2)	FDB2036	FDB2111	
ZXR 750	750	1989	→ 1990	(x2)	FDB574	FDB338	
ZXR 750 R	750	1993	→ 1995	(x2)	FDB574	FDB338	
ZXR 750 R STINGER / NINJA	750	1991	→ 1992	(x2)	FDB574	FDB496	
EJ800 (W 800 all model)	800	2011	→		FDB2049	FSB719	
VN 800	800	1995	→ 1998		FDB339	FSB719	
VN 800 CLASSIC	800	1996	→		FDB2048	FSB719	
VN 800 DRIFTER	800	1999	→ 2003		FDB2048	FDB2049	
VT 800 C	800	1988	→ 1990		FDB244	FSB761	
Z800 (ADS)	800	2013	→	(x2)	FDB2158	FDB2258	
Z800 ABS (BDS)	800	2013	→	(x2)	FDB2158	FDB2258	
Z800 E (CDS)	800	2013	→	(x2)	FDB570	FDB2258	
Z800 E ABS (DDS)	800	2013	→	(x2)	FDB2158	FDB2258	
VN 850	850	1995	→ 1999		FDB339	FSB719	
GPZ 900 R	900	1990	→ 1996	(x2)	FDB574	FDB481	
GPZ 900 R (ZX900A or NINJA 900)	900	1984	→ 1989	(x2)	FDB339	FDB339	
KZ 900 B1	900	1976	→ 1977	(x2)	FDB132		
VN 900 CLASSIC / CUSTOM /LIGHT TOURER	900	2006	→		FDB2048	FDB2049	
X-9 R 900 NINJA	900	1994	→ 1995	(x2)	FDB574	FDB2012	
Z 900 A 4	900	1977	→ 1978	(x2)	FDB132	FSB795	
ZX-9R 900 R NINJA (B1 - B2)	900	1994	→ 1995	(x2)	FDB574	FDB2012	
ZX-9R 900 R NINJA (B1 - B2)	900	1996	→ 1997	(x2)	FDB873	FDB2012	
ZX-9R 900 R NINJA (B1 - B2)	900	1998	→ 1999	(x2)	FDB873	FDB2012	
ZX-9R 900 R NINJA (B3 - B4) (C1 - C2) (E1 - E2)	900	2000	→ 2001	(x2)	FDB873	FDB2012	
ZX-9R 900 R NINJA (Racing Applications)	900	1996	→ 1997	(x2)	FDB2144	FDB2012	
ZX-9R 900 R NINJA (Racing Applications)	900	1998	→ 1999	(x2)	FDB2144	FDB2012	
ZX-9R 900 R NINJA (Racing Applications)	900	2000	→ 2001	(x2)	FDB2144	FDB2012	
ZX-9R 900 R NINJA F1-F2	900	2002	→ 2004	(x2)	FDB2158	FDB2012	
GPX 1000 R	1000	1988	→ 1990	(x2)	FDB481	FDB481	
GPZ 1000 RX - RY	1000	1986	→	(x2)	FDB339	FDB339	
GTR 1000	1000	1986	→ 1993	(x2)	FDB339	FDB339	
KLZ VERSYS 1000	1000	2012	→	(x2)	FDB574	FDB754	
KLZ VERSYS 1000	1000	2015	→	(x2)	FDB574	FDB754	
KZ 1000 all models	1000	1982	→ 1990	(x2)	FDB298	FDB298	
KZ 1000 B1/B2 LTD	1000	1977	→ 1978	(x2)	FDB132		
NINJA H2 (Racing version pad)	1000	2015	→	(x2)	FDB2218	FDB2074	
NINJA H2 (Road version pad)	1000	2015	→	(x2)	FDB2260	FDB2074	
NINJA H2R (Racing version pad)	1000	2015	→	(x2)	FDB2218	FDB2074	
NINJA H2R (Road version pad)	1000	2015	→	(x2)	FDB2260	FDB2074	
VN 1000 VULCAN	1000	1987	→	(x2)	FDB339	FDB339	
Z 1000	1000	2007	→ 2009	(x2)	FDB2220	FDB754	
Z 1000 (ZR 1000 A1)	1000	2003	→ 2006	(x2)	FDB2158	FDB2012	
Z 1000 / ABS / SX	1000	2010	→	(x2)	FDB2178	FDB2012	
Z 1000 / SE	1000	2012	→	(x2)	FDB2220	FDB2012	
Z 1000 A1 - A4 - H1 - H2	1000	1974	→ 1978	(x2)	FDB132	FDB151	
Z 1000 E1 - E2 - SHAFT - ST	1000	1979	→ 1981	(x2)	FDB220	FDB151	
Z 1000 GTR	1000	1994	→ 2003	(x2)	FDB481	FDB339	
Z 1000 GTR (ZG 1000)	1000	1986	→ 1993	(x2)	FDB339	FDB339	
Z 1000 LTD	1000	1981	→	(x2)	FDB299	FDB298	
Z 1000 SX	1000	2012	→	(x2)	FDB2220	FDB2012	
Z1000	1000	2014	→	(x2)	FDB2178	FDB2012	
ZL 1000 all models	1000	1987	→	(x2)	FDB339	FDB339	
ZX 1000 ELIMINATOR	1000	1988	→ 1990	(x2)	FDB481	FDB481	
ZX 1000 RX NINJA - TOMCAT	1000	1988	→ 1990	(x2)	FDB481	FDB481	
ZX-10R 1000	1000	2004	→ 2007	(x2)	FDB2164	FDB2012	
ZX-10R 1000	1000	2008	→ 2010	(x2)	FDB2178	FDB2012	
ZX-10R 1000	1000	2011	→	(x2)	FDB2178	FDB2221	
ZX-10R 1000 - Racing Applications	1000	2004	→	(x2)	FDB2203	FDB2012	
ZX10 1000 TOMCAT B1-3	1000	1988	→ 1990	(x2)	FDB481	FDB481	
ZZR 1000	1000	1991	→	(x2)	FDB574	FDB481	
GPZ 1100 (left)	1100	1995	→ 1997	(x2)	FDB2048	FDB2012	
GPZ 1100 (right)	1100	1995	→ 1997	(x2)	FDB2049		
GPZ 1100 (ZX 1100 A1)	1100	1983	→ 1985	(x2)	FDB339	FDB339	
GPZ 1100 (ZX 1100 B1-B2)	1100	1982	→ 1983	(x2)	FDB298	FDB298	

* It is recommended that in those applications where sintered pads are supplied as Original Equipment, replacement pads should also be of sintered composition.

** To avoid brake imbalance sintered pads fitted in rear calipers should only be used in combination with front calipers containing sintered pads.



CC

FROM → TO



NOTES



NOTES

...KAWASAKI

VN 1100	1100	1987 →	(x2)	FDB339	FDB339
Z 1100 A1/3 - B1/2 - F1	1100	1981 → 1983	(x2)	FDB299	FDB298
Z 1100 GP	1100	1981 → 1983	(x2)	FDB299	FDB298
Z 1100 R1	1100	1984 →	(x2)	FDB339	FDB339
Z 1100 SPECTRE - LTD	1100	1981 → 1983	(x2)	FDB299	FDB299
Z 1100 ST	1100	1981 → 1983	(x2)	FDB299	FDB298
ZR 1100 C1	1100	1997 → 2000	(x2)	FDB873	FDB338
ZR 1100 ZEPHIR	1100	1997 → 2000	(x2)	FDB2048	FDB481
ZR 1100 ZEPHYR (left)	1100	1996 → 1997		FDB2048	FDB481
ZR 1100 ZEPHYR (right)	1100	1996 → 1997		FDB2049	
ZR 1100 ZEPHYR (ZR 1100 A)	1100	1992 → 1996	(x2)	FDB574	FDB481
ZRX 1100	1100	1996 → 2000	(x2)	FDB2036	FDB338
ZX 1100	1100	1993 →	(x2)	FDB574	FDB481
ZX 1100 A1	1100	1983 → 1984	(x2)	FDB339	FDB339
ZZR 1100 GT (ZX 1100 C)	1100	1990 → 1992	(x2)	FDB574	FDB481
ZZR 1100 GT (ZX 1100 D)	1100	1993 → 2001	(x2)	FDB574	FDB338
KZ 1200	1200	1987 →	(x2)	FDB339	FDB339
ZG 1200	1200	1986 → 1990	(x2)	FDB339	FDB339
ZG 1200 VOYAGER	1200	1986 →	(x2)	FDB339	FDB339
ZRX 1200 R - S	1200	2000 →	(x2)	FDB481	FDB338
ZRX 1200 R - S	1200	2001 →	(x2)	FDB873	FDB338
ZX 12 1200 R	1200	2000 → 2003	(x2)	FDB873	FDB338
ZX 12 1200 R (Racing Applications)	1200	2000 → 2003	(x2)	FDB2144	FDB338
ZX-12R 1200	1200	2004 →	(x2)	FDB2164	FDB338
ZX-12R 1200 - Racing Applications	1200	2004 →	(x2)	FDB2203	FDB338
ZZR 1200	1200	2002 →	(x2)	FDB574	FDB338
KR 1250	1250	1989 →	(x2)	FDB508	FDB508
Z 1300	1300	1979 → 1983	(x2)	FDB220	FDB151
ZG 1300 DF1	1300	1984 → 1986	(x2)	FDB220	FDB151
1400 GTR	1400	2007 →	(x2)	FDB2220	FDB2111
1400 GTR	1400	2015 →	(x2)	FDB2220	FDB2111
ZZR 1400	1400	2006 →	(x2)	FDB2220	FDB2111
MEAN STREAK 1500	1500	2002 → 2003	(x2)	FDB873	FDB2049
VN 1500 all models	1500	1987 → 1993		FDB339	FDB339
VN 1500 CLASSIC FI	1500	1999 →		FDB2048	FDB2049
VN 1500 CLASSIC TOURER (left)	1500	1999 →		FDB2048	FDB339
VN 1500 CLASSIC TOURER (right)	1500	1999 →		FDB2049	
VN 1500 D1/D2 CLASSIC	1500	1996 → 1998		FDB2048	FDB339
VN 1500 DRIFTER	1500	1999 → 2003		FDB2048	FDB2049
VN 1600 CLASSIC (left)	1600	2003 →		FDB2048	FDB2049
VN 1600 CLASSIC (right)	1600	2003 →		FDB2049	
VN 1600 CLASSIC TOURER (left)	1600	2005 →		FDB2048	FDB2049
VN 1600 CLASSIC TOURER (right)	1600	2005 →		FDB2049	
VN 1600 MEAN STREAK	1600	2004 →	(x2)	FDB873	FDB2049
VN 1700 Classic&Classic Tourer (left)	1700	2009 → 2009		FDB2049	FDB2049
VN 1700 Classic&Classic Tourer (right)	1700	2009 → 2009		FDB2048	
VN 1700 Classic&Classic Tourer ABS	1700	2010 →	(x2)	FDB574	FDB2049
VN 1700 Voyager (B/BA)	1700	2009 →	(x2)	FDB574	FDB2049
VN 1700 Voyager Custom (KB)	1700	2011 →	(x2)	FDB574	FDB2049
VN 2000 VULCAN / CLASSIC	2000	2004 →	(x2)	FDB574	FDB2049

KEEWAY

TX50	50	2010 → 2012		FDB677	FDB624
X-Ray 50 Supermoto	50	2007 → 2009		FDB677	FDB694
125 New Strike	125	2013 →		FSB733	FSB733
125 Strike	125	2013 →		FDB312	FSB733
RKV 125	125	2010 → 2015			FDB2090
Speed 125/150	125	2007 → 2012		FDB384	FDB384
Superlight 125	125	2007 →		FDB497	
TX 125 SM (17" F/Wheel)	125	2013 →		FDB677	FDB2090
TX125	125	2010 → 2012		FDB677	FDB694
150 New Strike	150	2013 →		FSB733	FSB733
150 Strike	150	2013 →		FDB312	FSB733
RKS 150	150	2012 →		FDB2087	FSB733
RKV 150	150	2013 → 2015			FDB2090
RKX 150	150	2013 → 2014			FDB2090
Superlight 150	150	2007 → 2012		FDB497	
KXM 200	200	2014 →		FDB2018	FDB2090
KXV 200	200	2014 →		FDB2018	FDB2090
RKS 200	200	2012 →		FDB2087	FSB733
RKV 200 S	200	2014 →			FDB2090

* It is recommended that in those applications where sintered pads are supplied as Original Equipment, replacement pads should also be of sintered composition.

** To avoid brake imbalance sintered pads fitted in rear calipers should only be used in combination with front calipers containing sintered pads.



CC FROM -> TO



NOTES



NOTES

...KEEWAY

RKV 200 S Factory	200	2014	→		FDB2090
RKX 200	200	2013	→		FDB2090
TX200 (19" F/Wheel)	200	2013	→	FDB677	FDB2090
250 Blackster	250	2014	→	FDB497	FDB631
Cruiser 250i	250	2009	→	FDB497	

KOTIR

RS 50	50	1990	→	FSB731	FSB731
-------	----	------	---	--------	--------

KRAM IT

ER 125 RV 3	125	1988	→	FDB499	FDB731
ER 250 RV 3	250		→	FDB499	FDB731
ER 300 RV 3	300	1988	→	FDB499	FDB731

KRAMER

80	80		→	FSB834	FSB834
250	250		→		FSB901

KREIDLER

MUSTANG 125	125	1983	→	FDB205	
-------------	-----	------	---	--------	--

KSR MOTO BY GENERIC

Code S 125/150/200 (4T)	125	2012	→		FDB2090
Code X 125/150/200 (4T)	125	2012	→		FDB2090
Trigger 125 SM	125	2008	→	FDB677	FDB624
Trigger 125 X	125	2008	→	FDB677	FDB624
Work 125/150 (4T)	125	2012	→	FDB2087	

KTM

Freeride E-SM		2015	→	FDB2262	FDB2257
Freeride E-SX		2015	→	FDB2262	FDB2257
Freeride E-XC		2015	→	FDB2262	FDB2257
Freeride Electric		2012	→	FDB2262	FDB2257
50 SX MINI ADVENTURE	50	2004	→	2007	FSB712
50 SX PRO SENIOR LC	50	2002	→	2003	FSB712
50 SX PRO SENIOR LC	50	2004	→		FDB2183
50 SX SENIOR ADVENTURE	50	2002	→	2007	FDB2183
50 SX/SXR PRO JUNIOR/SENIOR/ADEVNTURE	50	1996	→	2003	FSB712
CHRONO 50 SCOOTER	50	1994	→		FDB498
COMET 50 PL-RL-RLW-RS4L-TS	50		→		FDB207
GO 50 SCOOTER	50	1994	→		FDB697
HOBBY-DUO-PRO 50 COMET 40PI-KJ	50		→		FSB814
KROSS 50	50	1996	→		FDB680
MX 50	50	1987	→		FDB207
RSV 50	50	1986	→		FDB207
SX 60	60	1998	→	1999	FRP405
SX 60 / 65	60	2000	→	2001	FRP405
SX 65	65	2002	→	2003	FDB2157
SX 65	65	2004	→	2009	FDB2157
SX 65	65	2010	→		FDB2157
L-PL-RL-RS-RSL-BORA 80	80		→		FDB207
MX 80 GR - SUPER MINI	80	1986	→		FDB207
SX 85	85	2003	→	2010	FDB2157
SX 85 (16"/19")	85	2012	→		FDB2262
SX 85 (17"/14")	85	2011	→		FDB2157
125	125	1989	→	1990	FDB314
125	125	2000	→		FSB814
125 all models	125	1992	→	1993	FDB2018
125 DUKE	125	2010	→		FDB2266
125 DUKE (ABS Std)	125	2013	→		FDB2266
125 EXC (2T)	125	1998	→	2003	FDB2018
125 EXC (2T)	125	2004	→		FDB2018

* It is recommended that in those applications where sintered pads are supplied as Original Equipment, replacement pads should also be of sintered composition.

** To avoid brake imbalance sintered pads fitted in rear calipers should only be used in combination with front calipers containing sintered pads.



CC

FROM → TO



NOTES



NOTES

...KTM

125 EXC Six Days (2T)	125	2011 →	FDB2018	FDB2165
125 SX	125	2004 →	FDB2018	FDB2165
BAJA 125	125	1986 →	FDB207	FSB816
CROSS 125	125	1980 → 1983	FSB814	FSB814
EXE 125	125	2000 → 2003	FDB2018	FDB2005
GS 125 ENDURO SPORT	125	1984 → 1985	FSB816	FSB816
GS 125 XC ENDURO SPORT	125	1986 → 2000	FDB207	FDB207
GS 125 XC ENDURO SPORT	125	1986 → 1987	FDB498	FDB498
LC - GS 125 GS	125	1983 →	FSB816	FSB814
LC2 125	125	1998 →	FDB2018	FDB2005
LC2 STING 125	125	1998 →	FRP408	FDB2005
MX 125 CROSS	125	1984 →	FSB816	FSB816
MX 125 CROSS	125	1985 →	FDB207	FSB816
MX 125 CROSS	125	1986 →	FDB207	FDB207
MX 125 VC CROSS	125	1986 → 1987	FDB498	FDB498
RC 125 (ABS Std)	125	2014 →	FDB2266	FDB2005
SX 125	125	1996 → 2002	FDB2018	FDB2005
SX 125	125	2003 →	FDB2018	FDB2165
150 SX	150	2008 →	FDB2018	FDB2165
175	175	1972 → 1978	FSB814	FSB814
175	175	1979 →	FSB814	FSB815
200 DUKE (ABS Std)	200	2013 →	FDB2266	FDB2005
200 EXC (2T)	200	1998 → 2003	FDB2018	FDB2005
200 EXC (2T)	200	2004 →	FDB2018	FDB2165
EGS 200	200	1998 →	FDB2018	FDB2005
RC 200 (ABS Std)	200	2014 →	FDB2266	FDB2005
SX 200	200	2003 →	FDB2018	FDB2165
250	250	1989 → 1990	FDB314	FDB314
250 all models	250	1992 → 1993	FDB2018	FDB2018
250 all models	250	1994 → 1995	FDB2018	FDB2005
250 EXC (2T)	250	1998 → 2003	FDB2018	FDB2005
250 EXC (2T)	250	2004 →	FDB2018	FDB2165
250 EXC Six Days (2T)	250	2011 →	FDB2018	FDB2165
250 EXC-F (4T)	250	2007 →	FDB2018	FDB2165
250 EXC-F Six Days (4T)	250	2011 →	FDB2018	FDB2165
250 SX (2T)	250	1994 → 2002	FDB2018	FDB2005
250 SX (2T)	250	2003 →	FDB2018	FDB2165
250 SX-F (4T)	250	2006 →	FDB2018	FDB2165
BAJA 250	250	1986 →	FDB207	FSB816
CROSS 250	250	1982 →	FSB815	FSB815
CROSS 250	250	1983 →	FSB817	FSB815
CROSS 250	250	2000 →	FSB814	FSB814
Freeride 250 R	250	2014 →	FDB2262	FDB2257
GS 250 ENDURO SPORT	250	1983 → 1985	FSB816	FSB816
GS 250 XC ENDURO SPORT	250	1986 → 2000	FDB207	FDB207
GS 250 XC ENDURO SPORT	250	1986 → 1987	FDB498	FDB498
MX 250	250	2003 →	FDB2018	FDB2165
MX 250 CROSS	250	1984 →	FSB816	FSB816
MX 250 CROSS	250	1985 →	FDB207	FSB816
MX 250 CROSS - DIG.CONTR.	250	1986 →	FDB207	FDB207
MX 250 VC CROSS	250	1986 → 1987	FDB498	FDB498
Superenduro 250 - S	250	2008 →	FDB2018	FDB2018
300 all models	300	1994 → 1995	FDB2018	FDB2005
300 EXC (2T)	300	2000 → 2003	FDB2018	FDB2005
300 EXC (2T)	300	2004 →	FDB2018	FDB2165
300 EXC Six Days (2T)	300	2011 →	FDB2018	FDB2165
GS 300 XC ENDURO SPORT	300	1985 →	FSB816	FSB816
GS 300 XC ENDURO SPORT	300	1986 → 2000	FDB207	FDB207
GS 300 XC ENDURO SPORT	300	1986 → 1987	FDB498	FDB498
MX 300	300	2004 →	FDB2018	FDB2165
350	350	1989 → 1990	FDB314	FDB314
350 EXC-F (4T)	350	2011 →	FDB2018	FDB2165
350 EXC-F Six Days (4T)	350	2012 →	FDB2018	FDB2165
350 SX-F	350	2011 →	FDB2018	FDB2165
350 XC-F	350	2011 →	FDB2018	FDB2165
350 XCF W	350	2011 →	FDB2018	FDB2165
COUNTRY 350 CROSS E	350	1985 →	FDB207	FSB816
Freeride 350	350	2012 →	FDB2262	FDB2257
GS 350 4 STROKE	350	1993 →	FDB2018	FDB314
GS 350 ENDURO SPORT	350	1983 →	FDB207	FSB815
SX 380	380	1998 →	FDB2018	FDB2005
390 DUKE (ABS Std)	390	2013 →	FDB2266	FDB2005

* It is recommended that in those applications where sintered pads are supplied as Original Equipment, replacement pads should also be of sintered composition.

** To avoid brake imbalance sintered pads fitted in rear calipers should only be used in combination with front calipers containing sintered pads.

1050



CC FROM → TO



NOTES



NOTES

...KTM

GS 390 ENDURO SPORT	390	1983	→	FDB207	FSB815
RC 390 (ABS Std)	390	2014	→	FDB2266	FDB2005
ECX 400	400	2006	→	FDB2018	FDB2165
LC4 400 E	400	1998	→	FDB2018	FDB2005
SX 400	400	2000	→	FDB2018	FDB2005
SXC 400	400	1998	→	FDB2018	FDB2005
THE DUKE 400	400	1994	→ 1998	FRP408	FDB314
GS 420 ENDURO SPORT	420	1984	→	FSB816	FSB816
450 EXC (4T)	450	2003	→ 2004	FDB2018	FDB2005
450 EXC (4T)	450	2004	→	FDB2018	FDB2165
450 EXC Six Days (4T)	450	2011	→	FDB2018	FDB2165
450 SMR	450	2007	→	FDB2244	FDB2165
450 SX-F	450	2007	→	FDB2018	FDB2165
MX 450	450	2003	→	FDB2018	FDB2165
SX 450 / F	450	2003	→	FDB2018	FDB2165
SX 450 SMR	450	2005	→ 2006	FDB2245	FDB2003
MX 495 CROSS	495	1984	→	FSB816	FSB816
MX 495 MC LELEU	495	1982	→ 1983	FDB207	FSB815
500	500	1989	→ 1990	FDB314	FDB314
500 all models	500	1993	→ 1993	FDB2018	FDB2018
500 all models	500	1994	→ 1995	FDB2018	FDB2005
500 CROSS	500	2000	→	FSB817	FSB815
500 EXC (4T)	500	1998	→ 2011	FDB2018	FDB2005
500 EXC (4T)	500	2012	→	FDB2018	FDB2165
500 EXC Six Days (4T)	500	2012	→	FDB2018	FDB2165
500 XC-W	500	2012	→	FDB2018	FDB2165
GS 500 K4 ENDURO	500	1983	→	FDB207	FSB815
MX 500 CROSS	500	1983	→ 1984	FSB816	FSB816
MX 500 CROSS	500	1985	→	FDB207	FSB816
MX 500 CROSS	500	1986	→ 2000	FDB207	FDB207
MX 500 CROSS	500	1986	→ 1987	FDB498	FDB498
SX / MX 525	525	2003	→	FDB2018	FDB2165
SX 525 SMR	525	2005	→	FDB2245	FDB2003
SXC 540	540	1998	→	FDB2018	FDB2005
GXE 550	550	1986	→ 2000	FDB207	FDB207
GXE 550	550	1986	→ 1987	FDB498	FDB498
MX 550 LC4	550	1987	→	FDB498	FDB498
560 SMR	560	2007	→	FDB2244	FDB2165
ENDURO 600 all models	600	1986	→ 2000	FDB207	FDB207
ENDURO 600 all models	600	1986	→ 1987	FDB498	FDB498
GS 600 ENDURO SPORT	600	1984	→	FSB816	FSB816
GS 600 ENDURO SPORT	600	1985	→	FDB207	FSB816
MX 600	600	1992	→	FDB2018	FDB314
SC 600	600	1998	→	FDB2018	FDB2005
XC-XCE 600 CROSS COUNTRY-BAJA	600	1985	→	FDB207	FSB816
ADVENTURE 620 / 625 / 640 R	620	1998	→	FDB2018	FDB2005
LC4 620 COMPETITION	620	1998	→	FDB2018	FDB2005
THE DUKE 620	620	1994	→ 1998	FRP408	FDB2005
625 SMC LC4	625	2005	→	FDB2042	FDB2005
DUKE 2 640	640	1998	→ 1999	FDB2018	FDB2005
LC4 640 DUKE II	640	2000	→	FDB2042	FDB2005
LC4 640 E	640	1998	→	FDB2018	FDB2005
LC4 640 SUPERMOTO	640	1998	→	FDB2018	FDB2005
SXC 650	650	2004	→	FDB2018	FDB2005
660 SMC	660	2004	→	FDB2042	FDB2005
LC4 660 SUPERMOTO	660	2003	→	FDB2042	FDB2005
690 DUKE (ABS Std)	690	2012	→ (x2)	FDB2042	FDB2005
690 DUKE R	690	2010	→ 2012 (x2)	FDB2120	FDB2005
690 DUKE R (ABS Std) (Racing version pad)	690	2013	→	FDB2218	FDB2005
690 DUKE R (ABS Std) (Road version pad)	690	2014	→	FDB2260	FDB2005
690 Enduro R (ABS Std)	690	2008	→	FDB2006	FDB2005
690 SM	690	2007	→	FDB2042	FDB2005
690 SMC R (ABS Std)	690	2013	→	FDB2120	FDB2005
690 SMR / SMC / DUKE / SupermotoR	690	2008	→ (x2)	FDB2120	FDB2005
LC4 690 SUPERMOTO Prestige	690	2007	→	FDB2120	FDB2005
950 R SUPERENDURO	950	2006	→ 2008	FDB2006	FDB2018
ADVENTURE 950	950	2003	→ (x2)	FDB2006	FDB2018
DUKE 950 / 990 / 990 RC8	950	2003	→ (x2)	FDB2120	FDB2005
SUPERMOTO 950	950	2005	→ (x2)	FDB2120	FDB2018
990 ADVENTURE ABS	990	2008	→ (x2)	FDB2006	FDB2018
990 ADVENTURE R	990	2008	→ (x2)	FDB2006	FDB2018
990 SMR	990	2008	→ 2009 (x2)	FDB2120	FDB2018

* It is recommended that in those applications where sintered pads are supplied as Original Equipment, replacement pads should also be of sintered composition.

** To avoid brake imbalance sintered pads fitted in rear calipers should only be used in combination with front calipers containing sintered pads.



CC

FROM → TO



NOTES



NOTES

...KTM

990 SMR (Racing version pad)	990	2010	→	(x2)	FDB2218	FDB2018
990 SMR (Road version pad)	990	2010	→	(x2)	FDB2260	FDB2018
990 SMT	990	2009	→	(x2)	FDB2120	FDB2018
990 SUPERDUKE	990	2005	→	2011 (x2)	FDB2120	FDB2005
990 SUPERDUKE R	990	2007	→	(x2)	FDB2120	FDB2005
1050 ADVENTURE (ABS Std)	1050	2015	→	(x2)	FDB2042	FDB2018
1190 ADVENTURE (ABS Std)	1190	2013	→	(x2)	FDB2042	FDB2018
1190 ADVENTURE R (ABS Std)	1190	2013	→	(x2)	FDB2042	FDB2018
1190 RC8 (Racing version pad)	1190	2008	→	2011 (x2)	FDB2218	FDB2074
1190 RC8 (Road version pad)	1190	2008	→	2011 (x2)	FDB2260	FDB2074
1190 RC8 R (ABS Std) (Racing version pad)	1190	2009	→	(x2)	FDB2218	FDB2074
1190 RC8 R (ABS Std) (Road version pad)	1190	2009	→	(x2)	FDB2260	FDB2074
1290 SUPER ADVENTURE	1300	2015	→	(x2)	FDB2042	FDB2018
SUPERDUKE R 1290 (ABS Std) (Racing version pad)	1301	2014	→	(x2)	FDB2218	FDB2074
SUPERDUKE R 1290 (ABS Std) (Road version pad)	1301	2014	→	(x2)	FDB2260	FDB2074
SUPERDUKE R 1290 PROTO (Racing version pad)	1301	2013	→	(x2)	FDB2218	FDB2074

KYMCO

AGILITY 50 (KG10SA)	50	2005	→	2008	FDB497	FSB704
BET & WIN 50	50	2002	→	2006	FDB2087	FSB704
COBRA 50 / RACER & CROSS	50	1999	→	2006	FDB672	FSB704
CURIO 50	50	1994	→		FDB672	FSB704
CX 50	50	1993	→		FSB704	FSB714
CX 50 SUPER	50	1994	→	1997	FDB672	FSB714
DINK / GRAND DINK 50 / New Dink	50	1997	→		FDB2087	FSB704
DJW 50	50	1994	→		FSB704	FSB714
DJX 50	50	1991	→	1992	FSB704	FSB714
DJY 50 / DJY 50 REFINED	50	1993	→		FSB704	FSB714
FILLY 50	50	1998	→	2000	FSB704	FSB704
FILLY LX 50	50	2000	→		FDB497	FSB704
HEROISM 50	50	1995	→	1997	FDB2191	FSB704
K 12 50	50	1995	→		FDB672	FSB704
KB 50	50	1994	→	2000	FDB672	FSB704
MANBOY 50	50	1995	→		FDB2192	FSB704
SCOUT 50	50	1998	→		FDB672	FSB704
SNIPER 50 DD	50	1994	→	1996	FDB672	FDB2101
SPACER 50	50	1999	→		FDB2087	FSB704
SUPER 9 50	50	1999	→	2000	FDB539	
SUPER 9 50 LC / SUPER 9 S	50	2000	→		FDB2087	FDB2096
TOP BOY 50	50	1997	→	2000	FDB2087	FSB704
TOP BOY 50	50	2000	→		FDB672	FSB704
YUP 50	50	2001	→	2006	FDB497	
ZK 50 SUPERFEVER	50	1999	→		FDB672	FSB714
ZX 50 FEVER	50	1995	→		FDB672	FSB714
SP 90 YUP	90	1995	→		FDB2192	
COBRA 100 RACER	100	1999	→	2003	FDB497	FSB704
TOP BOY 100	100	1997	→		FDB2087	FSB704
LIBERO 111 4T	111	2008	→		FDB2087	FSB704
AGILITY 125	125	2006	→	2008	FDB497	FSB704
B & W 125 BET & WIN Dinksport	125	2000	→		FDB2087	FDB2087
CK1 125	125	2014	→		FDB2087	FSB966
DINK / GRAND DINK 125 /New Dink	125	1997	→		FDB2087	FDB2087
EGO 125	125	2001	→	2003	FDB2087	FDB2087
FREEWAY 125	125	1997	→		FSB704	FSB704
HEROISM 125	125	1995	→	1997	FDB2191	FSB704
HIPSTER 125	125	1999	→		FDB2087	FSB755
K-PIPE 125	125	2012	→	2013	FDB2087	FSB755
KR 125 QUANNON NAKED	125	2010	→		FDB2087	FDB2087
KR 125 QUANNON NAKED	125	2010	→		FDB2087	FDB2087
KR 125 QUANNON SPORT	125	2007	→	2013	FDB2087	FDB2087
PEOPLE / PEOPLE S 125	125	2006	→		FDB2096	FDB2254
PULSAR 125	125	1999	→	2013	FDB312	FSB755
SECTOR 125	125	1998	→	2001	FDB2087	
SPACER 125	125	1998	→		FDB2087	FDB2087
SPIKE 125	125	2004	→		FDB2087	FDB2087
STRYKER 125	125	2001	→	2006	FDB497	FSB755
VIVIO 125	125	2000	→	2003	FDB497	FSB958
YAGER 125	125	2001	→		FDB2087	FDB2087
ZING 125 / ZING II 125	125	1997	→	2013	FDB2087	FSB755
B & W 150 BET & WIN	150	2000	→		FDB2087	FDB2087
FREEWAY 150	150	1997	→		FSB704	FSB704

* It is recommended that in those applications where sintered pads are supplied as Original Equipment, replacement pads should also be of sintered composition.

** To avoid brake imbalance sintered pads fitted in rear calipers should only be used in combination with front calipers containing sintered pads.



CC FROM → TO



NOTES



NOTES

...KYMCO

HEROISM 150	150	1995 → 1997	FDB2191	FSB704
HIPSTER 150	150	1999 →	FDB2087	FSB755
PEOPLE 150	150	1999 →	FDB2096	FSB958
SPACER 150	150	2003 →	FDB2087	FDB2087
STRAIGHT 150	150	2008 →	FDB312	FDB312
STRYKER 150 (Off-Road)	150	2000 → 2006	FDB497	FSB755
YAGER 150	150	2001 →	FDB2087	FSB958
PEOPLE S 200	200	2004 → 2007	FDB2096	FSB958
SPACER	200	2004 →	FDB2087	FDB2087
YAGER 200i	200	2007 → 2013	FDB2087	FDB2087
B & W 250 BET & WIN	250	2000 →	FDB2087	FDB2087
EGO 250	250	2001 →	FDB2087	FDB2087
GRAND DINK 250	250	2001 →	FDB2141	FDB2140
PEOPLE 250	250	2003 → 2005	FDB2087	FDB2225
PEOPLE 250 S (Left side)	250	2006 → 2008	FDB497	FDB2254
PEOPLE 250 S (Right side)	250	2006 → 2008	FDB631	
VENOX 250	250	2000 →	FDB664	FSB711
YUP 250	250	2003 →	FDB2087	FDB2087
XCITING 500	500	2004 → (x2)	FDB570	FDB570
XCITING 500 (T70000)	500	2005 → 2005 (x2)	FDB570	FDB2225
XCITING 500 / 500i	500	2005 → (x2)	FDB2225	FDB570
XCITING 500 i (T20020)	500	2006 → 2008 (x2)	FDB570	FDB2225
XCITING 500 R (T70021)	500	2009 → 2009 (x2)	FDB570	FDB2225

LAVERDA

OR 50 ATLAS	50	1987 →	FDB207	FDB207
125	125	→	FDB108	FSB876
125	125	2000 →	FDB207	FSB876
125 (Brembo caliper)	125	1982 →	FDB694	FSB876
125 (Grimeca caliper)	125	1982 →		FSB876
GS 125 LESMO	125	1986 → (x2)	FDB207	FDB207
GS 125 LESMO	125	1990 →	FDB694	FDB694
LB 125 CUSTOM	125	→	FDB694	FSB876
LB 125 STRADA	125	→	FDB694	FSB876
LB 125 UNO	125	→	FDB694	FSB876
PHOENIX 125 / 150 / 200	125	2001 →	FDB2108	FDB2096
350	350	1980 → (x2)	FDB207	FDB207
ALPINO 500	500	1977 → (x2)	FDB207	FDB207
PF 500	500	1977 → (x2)	FDB207	FDB207
RS 500	500	1977 → (x2)	FDB207	FDB207
SFC 500	500	1977 → (x2)	FDB108	FDB108
CR 600 CRUISER	600	1987 →	FDB499	
OR 600	600	1986 →	FDB207	FDB592
OR 600 ATLAS	600	1987 → (x2)	FDB592	
650 (all models)	650	1995 → 1996 (x2)	FRP408	FDB207
LYNX 650	650	2000 → (x2)	FRP408	FDB207
GHOST - DIAMANTE 668	668	1997 → 1998 (x2)	FRP408	FDB207
750 S (all models)	750	1999 → (x2)	FRP408	FDB207
CUP 750	750	1998 → (x2)	FRP408	FDB207
DIAMANTE 750	750	1997 → (x2)	FRP408	FDB207
SF3 750	750	1977 → (x2)	FDB148	FDB148
TTS 800	800	1999 → (x2)	FRP408	FDB2074
JOTA 1000	1000	1995 → (x2)	FRP408	FDB207
RGA 1000	1000	→ (x2)	FDB148	FDB148
RGA 1000 JOTA	1000	→ (x2)	FDB148	FDB148
RGS 1000 CORSA	1000	→ (x2)	FDB148	FDB148
RGS 1000 EXECUTIVE	1000	→ (x2)	FDB148	FDB148
RGS 1000 JOTA	1000	1977 → (x2)	FDB148	FDB148
SFC 1000	1000	1986 → (x2)	FDB108	FDB108
SFC 1000	1000	2003 → (x2)	FDB2120	FDB2074
T.T. 1200	1200	1976 → (x2)	FDB148	FDB148

LEM

FLASH 50	50	1994 →	FDB828	FSB731
GHIBLI 50	50	1990 →	FSB731	FSB731
R2 / R3	50	2003 →	FDB2183	FDB2183

* It is recommended that in those applications where sintered pads are supplied as Original Equipment, replacement pads should also be of sintered composition.
 ** To avoid brake imbalance sintered pads fitted in rear calipers should only be used in combination with front calipers containing sintered pads.



CC FROM → TO



NOTES



NOTES

LIFAN

Smart 50/125 125 → FDB2169

LIGIER

NOVA 500 2001 → FDB2153

LINHAI

LH 50 Prince (Scooter) 50 2007 → FDB383

Eggy 125 (Scooter) 125 2007 → FDB383

Monarch 125 T 125 2006 → FDB2003 FDB2083

Monarch 150 T 150 2006 → FDB2003 FDB2083

Main Street 300 (Scooter) 300 2007 → FDB2003 FDB2083

MACAL

50 FLASH 50 1999 → FDB680

TR 50 TROPHY 50 1999 → FDB213

TR 50 TROPHY H2O 50 1999 → FRP405

MAICO

250 CROSS 250 1986 → FDB404 FDB404

250 CROSS 250 1998 → FDB2018 FDB2005

250 ENDURO 250 1986 → FDB404 FDB404

GM 250 CROSS 250 1984 → FDB207

GME 250 ENDURO 250 1984 → FDB207

GP 250 250 1987 → FDB404 FDB404

GSE 250 ALPHA-E 250 2000 → FSB847 FSB819

LINK 250 250 2000 → FSB847 FSB819

MX 250 TWIN 250 2000 → FSB847 FSB819

400 400 2000 → FSB847 FSB819

GP 400 400 1987 → FDB404 FDB404

MX 490 LINK 490 2000 → FSB847 FSB819

MX 490 TWIN 490 2000 → FSB847 FSB819

500 CROSS 500 1986 → FDB404 FDB404

500 CROSS 500 1998 → FDB2018 FDB2005

500 ENDURO 500 1986 → FDB404 FDB404

GM 500 CROSS 500 1984 → FDB207

GME 500 ENDURO 500 1984 → FDB207

GP 500 500 1987 → FDB404 FDB404

GPE 500 500 1987 → FDB404 FDB404

MALAGUTI

CHOPPER 25 25 2000 → FDB213 FSB902

CHOPPER 40 40 2000 → FDB213 FSB902

CENTRO 50 50 2000 → FSB907 FSB788

CENTRO 50 4T / SL 4T 50 2008 → FDB313 FSB788

CENTRO 50 SL 50 1993 → 1999 FDB697 FSB788

CIAK 50 / CIAK Master 4T 50 1999 → FDB680 FSB788

CR1 50 CROSSER 50 1995 → FDB436 FSB941

CR1 50 CROSSER 50 1996 → FRP405 FSB941

DRAKON 50 NKD 50 2005 → FDB2074 FRP405

DRIBBLING 50 (all models) 50 1987 → FSB908 FSB908

DUNE 50 ENDURO 50 1987 → FDB436 FDB436

F 10 50 JETLINE 50 1992 → 1993 FDB828 FSB788

F 10 50 JETLINE /F10 WAP JETLINE 50 1994 → FDB680 FSB788

F 12 50 PHANTOM (liquid cooled) 50 1994 → FDB697 FSB788

F 12 50 PHANTOM (liquid cooled) 50 1995 → 1997 FDB436 FSB788

F 12 50 PHANTOM (liquid cooled) 50 1999 → FDB697 FDB680

F 12 50 PHANTOM Twin disk 50 1998 → (x2) FDB680 FDB680

F 15 50 FIREFOX 50 1996 → 1997 FDB436 FSB788

F 15 50 FIREFOX Twin disk 50 1998 → (x2) FDB697 FDB680

F12 R 50 PHANTOM (all air cooled models) 50 2007 → 2011 FDB680 FSB788

F12 R 50 PHANTOM (all liquid cooled models) 50 2007 → 2011 FDB680 FDB680

FIFTY 50 4 MARCE 50 1987 → FSB907 FSB907

FIFTY 50 FULL (all models) 50 1983 → FDB436 FSB907

FIFTY 50 HF 50 1987 → FSB907 FSB907

* It is recommended that in those applications where sintered pads are supplied as Original Equipment, replacement pads should also be of sintered composition.

** To avoid brake imbalance sintered pads fitted in rear calipers should only be used in combination with front calipers containing sintered pads.



CC FROM → TO



NOTES



NOTES

...MALAGUTI

FIFTY 50 HF	50	2000	→	FDB213	FSB907
FIFTY 50 NL	50	1987	→	FSB907	FSB907
FIFTY 50 RV	50	1987	→	FSB908	FSB908
FIFTY 50 RV VARIATORE / KICK	50	1987	→	FSB908	FSB908
FIFTY 50 TOP	50	1985	→	FDB436	FSB907
FOX 50 CUSTOM	50	1988	→	FSB908	FSB908
GRIZZLY 50 (all models)	50	1987	→	FSB908	FSB908
GRIZZLY 50 RCX / "12"	50	1987	→	FDB213	FSB908
LX 50 SPORT	50	2000	→	FDB213	FSB902
MDX GOLD 50 ENDURO	50	1987	→	FDB697	FSB897
MEX 50 ENDURO	50	1985	→	FDB2081	FSB897
MEX 50 ENDURO	50	1986	→	FDB731	FSB897
MGX 50 ENDURO	50	1987	→	FSB897	FSB897
MLX 50 ENDURO	50	1987	→	FDB697	FSB897
Mopeds 50 (all models)	50	2000	→	FDB436	FSB902
MR4 50 ENDURO	50	1987	→	FDB436	FDB436
RANOCCHIO 50 3 RUOTE	50	1988	→	FSB908	FSB908
RCW 50 RONCO	50	2000	→	FDB213	FSB902
RCX-W 50 ENDURO	50	1983	→	FDB436	FSB803
RGT 50 SPORT	50	1985	→	FDB436	FSB897
RGT 50 STRADA	50	1983	→	FDB436	FSB908
RST 50 SPORT tutti i tipi	50	1987	→	FDB436	FDB436
SAHIB 50 ENDURO	50	1983	→	FDB436	FSB803
VA 50 OLYMPIQUE	50	2000	→	FDB213	FSB902
WC 50 WATERCOOLED	50	2000	→	FDB213	FSB907
XSM 50 SUPERMOTARD	50	2003	→	FDB677	FRP405
XTM 50 / XSM 50	50	2003	→	FRP405	FRP405
YESTERDAY 50	50	1998	→	FDB680	FSB788
CHOPPER 80	80	2000	→	FDB213	FSB902
MDX 80 ENDURO	80	1984	→	FDB2081	
CIAK 100	100	1999	→ 2003	FDB680	FDB680
F 12 100 PHANTOM	100	1999	→ 2003	FDB680	FDB680
BLOG 125	125	2008	→	FDB497	FDB636
CENTRO 125 ie/SL	125	2007	→ 2011	FDB497	FDB383
CIAK 125	125	2001	→	FDB2081	FSB958
F 18 WARRIOR 125	125	2001	→ 2003	FDB680	FDB680
MADISON 125	125	1999	→ 2003	FDB677	FDB2090
MADISON 3 - 125	125	2006	→	FDB677	FDB2090
PHANTOM MAX 125	125	2004	→	FDB677	FDB2090
X3M Enduro 125	125	2008	→	FRP405	FRP405
X3M Motard 125	125	2008	→	FDB677	FRP405
CIAK 150	150	2001	→	FDB2081	FSB958
F 18 WARRIOR 150	150	2001	→ 2003	FDB680	FDB680
MADISON 150	150	1999	→ 2003	FDB677	FDB2090
BLOG 160	160	2008	→	FDB497	FDB636
CENTRO 160 ie	160	2008	→	FDB497	FDB383
MADISON 180	180	1999	→ 2003	FDB677	FDB2090
MADISON S 200	200	2004	→	FDB677	FDB2090
PHANTOM MAX 200	200	2004	→	FDB677	FDB2090
MADISON 250	250	1999	→ 2003	FDB2105	FDB2090
MADISON 3 250 RS	250	2004	→	FDB677	FDB2090
PASSWORD 250	250	2005	→	FDB677	FDB2090
PHANTOM MAX 250	250	2006	→	FDB677	FDB2090
MADISON K 400	400	2002	→	FDB2105	FDB2090
SPIDER MAX RS 500/ GT	500	2004	→ (x2)	FDB438	FDB2074

MALANCA

GT 5 50	50		→	FDB213	
ST 54	54		→	FDB213	
E2 C 80 CS	80		→ (x2)	FDB207	FDB207
125	125		→	FDB213	
GTI 125	125		→ (x2)	FDB207	FDB207
MARK 125	125	1985	→	FDB694	FSB898
MARK 125 ENDURO	125		→	FDB207	
OB ONE 125 6M	125	1985	→ (x2)	FDB694	FDB694
OB ONE 125 RACING	125	1985	→ (x2)	FDB694	FDB694

* It is recommended that in those applications where sintered pads are supplied as Original Equipment, replacement pads should also be of sintered composition.

** To avoid brake imbalance sintered pads fitted in rear calipers should only be used in combination with front calipers containing sintered pads.



CC FROM → TO



NOTES



NOTES

MBK

ACTIVE 50	50	1990	→	FSB738	FSB739
ACTIVE 50	50	2000	→	FSB739	FSB739
BOOSTER 50	50	2000	→	FSB738	FSB738
BOOSTER 50 / SPIRIT	50	1996	→	FDB889	FSB738
BOOSTER 50 NEXT GENERATION	50	1996	→ 1998	FDB889	FSB731
BOOSTER 50 R	50	1994	→ 1995	FDB889	FSB738
BOOSTER 50 TRACK	50	1996	→ 1998	FDB889	FSB738
CHAMP 50	50		→	FSB730	FSB730
EVASION 50 (ruote in lega diritte)	50		→	FSB754	FSB754
EVASION 50 (ruote in lega oblique)	50		→	FSB871	FSB871
EVOLIS 50	50	1992	→	FDB889	FSB731
FIZZ 50	50	1994	→	FDB889	FSB738
FLIPPER 50	50	1998	→	FDB680	FSB738
FORTE 50	50	1995	→	FDB889	FSB738
HARDROCK 50 (ruote in lega diritte)	50		→	FSB754	FSB754
HARDROCK 50 (ruote in lega oblique)	50		→	FSB871	FSB871
MAGNUM 50 (ruote in lega diritte)	50		→	FSB754	FSB754
MAGNUM 50 (ruote in lega oblique)	50		→	FSB871	FSB871
NITRO 50	50	1997	→	FDB889	FDB2062
OVETTO 50	50	1997	→	FDB889	FSB731
PASSION 50 (ruote in lega diritte)	50		→	FSB754	FSB754
PASSION 50 (ruote in lega oblique)	50		→	FSB871	FSB871
ROCKET 50	50	1996	→ 1998	FDB889	FSB731
SORRISO 50	50	1992	→ 1996	FSB731	FSB731
STUNT 50	50	2000	→	FDB680	FSB731
TARGET 50	50	1992	→	FDB636	FSB731
X-LIMIT 50	50	1998	→ 2003	FDB697	FSB731
ACTIVE 75	75	1990	→	FSB738	FSB739
ACTIVE 80	80	1990	→	FSB738	FSB739
ACTIVE 80	80	2000	→	FSB739	FSB739
EVOLIS 80	80	1994	→	FDB889	FSB731
BOOSTER 100	100	2000	→ 2002	FDB636	FSB947
NITRO 100	100	2000	→ 2003	FDB680	FSB733
OVETTO 100	100	2000	→ 2002	FDB680	FSB733
DOODO 125	125	2001	→ 2003	FDB2018	FSB947
SKYLINER 01 - 125	125	1998	→ 2000	FDB2018	FSB947
SKYLINER 125 / S.E.	125	2001	→	FDB2018	FDB2074
THUNDER 125	125	2001	→	FDB2018	FDB2074
XC 125 FLAME	125	1998	→	FDB383	FSB731
XC 125 FLAME R	125	1998	→	FDB383	FSB731
YW 125 Z X-Over	125	2010	→ 2010	FDB2264	FSB967
DOODO 150	150	2001	→ 2003	FDB2018	FSB947
SKYLINER 150	150	2000	→ 2002	FDB2018	FSB947
THUNDER 150	150	2001	→ 2002	FDB2018	FDB2074
SKYLINER 180	180	2004	→	FDB2018	FDB2074
SKYLINER 250	250	2000	→ 2002	FDB2003	FDB2083
KILIBRE 300	300	2003	→	FDB2018	FDB2018
SKYLINER 400	400	2004	→	FDB2003	FDB2200

MOBYLETTE

Mopeds 50	50		→	FSB865	FSB866
-----------	----	--	---	--------	--------

MODENAS

KRISS 115	115	1999	→	FDB631	FSB722
KRISS 115	115	2000	→	FSB722	FSB722

MONTESA

MKS 50	50	1987	→	FDB436	FSB820
COTA 123	123	1983	→	FSB821	FSB820
COTA 123	123	2000	→	FSB820	FSB820
COTA 242	242	1983	→	FSB821	FSB820
RC 248	248		→	FSB857	FSB857
EVASION 260	260	1994	→	FRP405	FRP405
COTA 290	290	2000	→	FSB820	FSB820
COTA 304	304	1987	→	FDB436	FSB820
COTA 309	309	1989	→	FDB2107	FDB207
COTA 310	310	1990	→	FRP405	FRP405

* It is recommended that in those applications where sintered pads are supplied as Original Equipment, replacement pads should also be of sintered composition.

** To avoid brake imbalance sintered pads fitted in rear calipers should only be used in combination with front calipers containing sintered pads.



CC FROM → TO



NOTES



NOTES

...MONTESA

COTA 314 R	314	1994	→	FRP405	FDB207
COTA 315 R	315	1998	→	FRP405	FDB889
TRIAL 330	330	1985	→	FSB821	FSB820
COTA 335	335	1987	→	FRP405	FRP405
COTA 335	335	1989	→	FDB2107	FDB2107
T 348	348	2000	→	FSB820	FSB820
COTA 349	349	1983	→	FSB821	FSB820
COTA 349	349	2000	→	FSB820	FSB820
H7-S 360	360	→		FDB2107	
old models	1500	→		FSB851	

MONTESA (HONDA)

MH 123	123	1983	→	FSB821	FSB820
MH 200	200	1983	→	FSB821	FSB820
COTA 250 4RT	250	2005	→ 2010	FDB2109	FDB2127
COTA 260 4RT	260	2014	→	FDB2109	FDB2127
MH 311 260	260	1992	→ 1993	FRP405	FDB207
COTA 310	310	1989	→	FDB2107	FDB207
COTA 310 4T / 4RT	310	2007	→	FDB2109	FDB207
MH 314 R	314	1994	→ 1997	FRP405	FDB207
MH 315 R	315	1997	→ 2000	FRP405	FDB207
MH 315 R	315	2001	→ 2004	FDB2109	FDB2127
MH 349	349	1983	→	FSB821	FSB820

MOTO GUZZI

CHIU' 50	50	1974	→ 1976	FSB902	FSB902
CROSS 50	50	1975	→ 1976	FSB847	FSB847
CROSS 50	50	1976	→ 1982	FSB847	FSB847
DINGO 50 3 V	50	1975	→ 1976	FSB902	FSB902
DINGO 50 3M	50	1966	→ 1974	FSB902	FSB902
DINGO 50 CROSS	50	1966	→ 1974	FSB907	FSB907
DINGO 50 GT	50	1966	→ 1974	FSB907	FSB907
DINGO 50 M	50	1969	→ 1973	FSB902	FSB902
DINGO 50 MM	50	1975	→ 1976	FSB902	FSB902
DINGO 50 SPORT	50	1966	→ 1974	FSB907	FSB907
DINGO 50 SUPER	50	1966	→ 1974	FSB907	FSB907
DINGO 50 TURISMO	50	1966	→ 1974	FSB907	FSB907
MAGNUM 50	50	1975	→ 1976	FSB902	FSB902
NIBBIO 50	50	1975	→ 1976	FSB847	FSB847
TROTTER 50	50	1966	→ 1970	FSB902	FSB902
TROTTER 50 MARK M - V	50	1971	→ 1973	FSB902	FSB902
TROTTER 50 SPECIAL M - V	50	1971	→ 1973	FSB902	FSB902
TROTTER 50 SUPER	50	1966	→ 1970	FSB902	FSB902
2C 125 4T	125	1979	→	FDB207	FSB818
TT 125	125	1985	→	FDB207	FSB911
TURISMO 125	125	1974	→ 1981	FDB213	FSB897
TUTTOTERRENO 125	125	1974	→ 1981	FSB897	FSB897
STORNELLO 160 (5 speed)	160	1971	→ 1974	FSB818	
TS 250	250	1974	→ 1975	FDB207	FSB818
TS 250	250	1976	→ 1982	FDB207	FDB207
254	254	1977	→ 1981		FSB818
GTS 350	350	1974	→ 1975		FSB818
GTS 350	350	1974	→ 1979	FDB207	FDB207
NEVADA 350	350	1993	→ (x2)	FDB207	FDB207
NTX 350	350	1987	→	FDB207	FDB207
NTX 350	350	1990	→	FDB207	FDB108
V 35 350	350	1977	→ (x2)	FDB207	FDB207
V 35 350 C	350	1982	→ (x2)	FDB207	FDB207
V 35 350 FLORIDA	350	1987	→ (x2)	FDB207	FDB207
V 35 350 GT	350	1990	→	FDB108	FDB207
V 35 350 IMOLA	350	1970	→ 1983 (x2)	FDB207	FDB207
V 35 350 IMOLA II	350	1984	→ (x2)	FDB207	FDB207
V 35 350 TT ENDURO	350	1984	→	FDB207	FDB207
GTS 400	400	1974	→ 1979	FDB207	FDB207
V 50 500	500	1977	→ 1980	FDB207	FDB207
V 50 500 C	500	1982	→	FDB207	FDB207
V 50 500 III	500	1980	→	FDB207	FDB207
V 50 500 MONZA	500	1980	→ 1983	FDB207	FDB207
V 50 500 MONZA II	500	1984	→ (x2)	FDB207	FDB207

* It is recommended that in those applications where sintered pads are supplied as Original Equipment, replacement pads should also be of sintered composition.

** To avoid brake imbalance sintered pads fitted in rear calipers should only be used in combination with front calipers containing sintered pads.



CC

FROM → TO



NOTES



NOTES

...MOTO GUZZI

NTX 650	650	1990 →		FDB207	FDB108
V 65 650	650	1981 → 1983	(x2)	FDB207	FDB207
V 65 650 FLORIDA	650	1987 →	(x2)	FDB207	FDB207
V 65 650 GT	650	1990 →		FDB108	FDB207
V 65 650 II ENDURO	650	1984 →		FDB207	FDB207
V 65 650 LARIO	650	1984 →	(x2)	FDB207	FDB207
V 65 650 SP CHOPPER	650	1981 →	(x2)	FDB207	FDB207
VT 650 TT BAJA	650	1986 →		FDB592	FDB207
V 7 700	700	1967 → 1976		FSB880	FSB881
V 7 700 SPECIAL	700	1969 → 1971		FSB796	FSB881
BREVA 750 IE	750	2003 → 2011		FDB2042	FDB2074
NTX 750	750	1990 →		FDB583	FDB108
S 750	750	1974 → 1975	(x2)	FDB108	
S3 750	750	1975 → 1976		FDB108	FDB108
SP 750 NEVADA	750	1992 →		FDB207	FDB207
SP 750 NEVADA CLUB	750	2000 → 2002		FDB207	FDB207
SP 750 NEVADA CLUB / CLASSIC I.E. / Aquila Nera	750	2002 →		FDB2042	FDB2074
T 750	750	1992 → 1994		FDB207	FDB207
V 750 750 SPORT	750	1972 → 1974		FSB796	
V7 Cafe Classic	750	2009 → 2012		FDB2042	FDB2074
V7 Classic	750	2008 → 2012		FDB2042	FDB2074
V7 II Racer	750	2012 →		FDB2042	FDB2060
V7 II Special	750	2012 →		FDB2042	FDB2060
V7 II Stone	750	2012 →		FDB2042	FDB2060
V7 Racer	750	2010 → 2011		FDB2042	FDB2074
BREVA V 850	850	2007 →	(x2)	FDB2042	FDB2018
CALIFORNIA 850 GT	850	1972 → 1974		FSB796	
CALIFORNIA 850 T3	850	1975 → 1980	(x2)	FDB108	FDB108
GRISO 850	850	2007 →	(x2)	FDB2042	FDB2018
GT 850	850	1972 → 1974		FSB796	
LE MANS 850	850	1976 →	(x2)	FDB148	FDB148
T 850	850	1974 → 1975		FDB148	FSB796
T3 850	850	1975 → 1979	(x2)	FDB148	FDB148
T4 850	850	1980 → 1983	(x2)	FDB148	FDB148
T5 850	850	1984 →	(x2)	FDB108	FDB108
940 - Bellagio	940	2007 → 2012	(x2)	FDB2006	FDB2018
BELLAGIO 1000 / Aquila Nera	1000	2008 →	(x2)	FDB2006	FDB570
CALIFORNIA (all models)	1000	2001 → 2006	(x2)	FDB2042	FDB2039
CALIFORNIA 1000 II	1000	1981 → 1990	(x2)	FDB108	FDB108
CALIFORNIA 1000 III C	1000	1991 → 1998	(x2)	FDB108	FDB108
CALIFORNIA 1000 EV	1000	1999 → 2001	(x2)	FRP408	FDB2006
CALIFORNIA Classic / Vintage	1000	2007 →	(x2)	FDB2042	FDB2018
CENTAURO 1000	1000	1996 → 1999	(x2)	FRP408	FDB2006
DAYTONA 1000	1000	1991 → 1994	(x2)	FRP408	FDB108
DAYTONA 1000	1000	1995 → 1998	(x2)	FRP408	FDB108
GT V 1000	1000	1991 →	(x2)	FDB108	FDB108
LE MANS - V 1000	1000	1990 →	(x2)	FDB108	FDB108
LE MANS 1000	1000	1984 → 1993	(x2)	FDB108	FDB108
QUOTA 1000	1000	1993 → 1995	(x2)	FDB498	FDB207
SP 1000	1000	1978 → 1983	(x2)	FDB108	FDB204
SP 1000 II	1000	1984 →	(x2)	FDB108	FDB108
SP III 1000	1000	1991 →	(x2)	FDB108	FDB108
V 1000 1000 G5	1000	1978 →	(x2)	FDB148	FDB148
V 1000 1000 I CONVERT	1000	1975 →	(x2)	FDB148	FDB148
LE MANS V 11	1064	2001 →	(x2)	FDB2042	FDB207
BREVA V 1100	1100	2004 →	(x2)	FDB2042	FDB2074
BREVA V 1100 (Std/ABS Models)	1100	2005 → 2007	(x2)	FDB2042	FDB2018
CALIFORNIA 1100	1100	1994 → 1997	(x2)	FDB108	FDB108
CALIFORNIA 1100	1100	1997 → 2001	(x2)	FRP408	FDB2006
California 1100 90	1100	2012 →	(x2)	FDB2042	FDB2006
California 1100 Aquila Nera	1100	2009 → 2011	(x2)	FDB2042	FDB2006
California 1100 Classic Touring	1100	2006 → 2008	(x2)	FDB2042	FDB2006
California 1100 Vintage	1100	2006 → 2012	(x2)	FDB2042	FDB2006
CENTAURO 1100 V11 SPORT	1100	1999 → 2000	(x2)	FRP408	FDB2006
GRISO 1100	1100	2005 → 2008	(x2)	FDB2042	FDB2018
QUOTA 1100 ES	1100	1999 → 2001	(x2)	FDB2006	FDB2018
SPORT 1100	1100	1994 → 1999		FRP408	FDB207
1200 GT	1200	2010 →	(x2)	FDB2042	FDB2074
BREVA 1200	1200	2008 → 2009	(x2)	FDB2042	FDB2018
BREVA 1200 SPORT	1200	2008 → 2013	(x2)	FDB2042	FDB2018
CORSARO Avio / Veloce	1200	2010 →	(x2)	FDB2042	FDB2074
GRAN PASSO 1200 / H83	1200	2010 →	(x2)	FDB2006	FDB2018

* It is recommended that in those applications where sintered pads are supplied as Original Equipment, replacement pads should also be of sintered composition.

** To avoid brake imbalance sintered pads fitted in rear calipers should only be used in combination with front calipers containing sintered pads.



CC FROM → TO



NOTES



NOTES

...MOTO GUZZI

GRANFERRO 1200	1200	2010	→	(x2)	FDB2260	FDB2018
GRANFERRO 1200	1200	2010	→	(x2)	FDB2218	FDB2018
GRISO SE 1200 8V	1200	2007	→	2013	(x2) FDB2042	FDB2018
NORGE 1200	1200	2006	→	2008	(x2) FDB2042	FDB2018
NORGE 1200 GT 8V ABS	1200	2010	→	(x2)	FDB2042	FDB2018
SCRAMBLER 1200	1200	2010	→	(x2)	FDB2006	FDB2018
STELVIO 1200	1200	2008	→	2011	(x2) FDB2042	FDB2018
STELVIO 1200 8V ABS	1200	2011	→	(x2)	FDB2042	FDB2018
STELVIO 1200 8V NTX	1200	2011	→	(x2)	FDB2042	FDB2018
STELVIO 1200 NTX ABS	1200	2009	→	2010	(x2) FDB2042	FDB2018
V12 LM	1200	2010	→	(x2)	FDB2123	FDB2018
V12 X / Strada	1200	2010	→	(x2)	FDB2260	FDB570
V12 X / Strada	1200	2010	→	(x2)	FDB2218	FDB570
MGS - 01 Corsa	1225	2007	→	(x2)	FDB2120	FDB2074
California 1400 Custom	1400	2013	→	(x2)	FDB2042	FDB2006
California 1400 Touring	1400	2013	→	(x2)	FDB2042	FDB2006

MOTO MORINI

CAMEL 501	50	1987	→		FDB438	FDB207
CAMEL 501	50	2000	→		FDB207	
COGUARO 501	50	1989	→		FDB529	FDB207
EXCALIBUR 501	50	1986	→	1986	FDB438	
EXCALIBUR 501	50	1987	→	1988	FDB438	FDB207
EXCALIBUR 501	50	1989	→		FDB499	FDB207
NEW YORK 501	50	1989	→		FDB499	FDB207
BLUES 125	125	1993	→		FDB438	FDB207
KJ 125	125	1984	→			FSB847
MONOCILINDRO 125	125	1979	→		FDB205	FSB847
BICILINDRO 250	250	1979	→		FDB205	FSB876
MONOCILINDRO 250	250	2000	→		FDB205	FSB876
SPORT 250	250	2000	→		FDB205	FSB847
TURISMO 250	250	2000	→		FDB205	FSB847
COGAURO 350	350	1990	→		FDB499	FDB207
DART 350	350	1988	→	1989	FDB499	FDB207
DART 350	350	1990	→		FDB529	FDB207
EXCALIBUR 350	350	1986	→	1989	FDB438	
EXCALIBUR RLX 350	350	1990	→		FDB499	FDB207
GT 350	350	1976	→	1981	FDB205	FSB853
GT 350	350	1979	→		FDB205	FSB876
GT 350 TURISMO	350	1980	→		FDB205	FSB876
K2 350	350	1984	→		FDB696	
KANGURO 350	350	1984	→			FSB852
KANGURO 350	350	1987	→		FDB438	FDB207
KANGURO 350	350	2000	→		FSB901	FSB852
NEW YORK 350	350	1989	→		FDB499	FDB207
SPORT 350	350	1980	→		FDB205	FSB876
SPORT 350	350	1981	→		FDB205	FSB853
SPORT 350	350	2000	→		FDB205	FDB205
WS 350 PRO ACTION	350	1993	→		FDB592	FDB207
XE 350	350	1985	→			FSB852
DART 400	400	1990	→		FDB529	FDB207
CAMEL 500	500	1984	→			FSB901
CAMEL 500	500	2000	→		FSB901	FSB852
T.T. 500	500	1980	→		FDB205	
939844	998	2006	→	(x2)	FDB2042	FDB2074
1200 SPORT	1200	2008	→	(x2)	FDB2042	FDB2074
Corsaro Veloce / Corsaro 1200 / Corsaro Avio	1200	2005	→	(x2)	FDB2042	FDB2074
Granpasso 1200 / H83	1200	2008	→	(x2)	FDB2006	FDB2018
MM3	1200	2007	→	(x2)	FDB2042	FDB2074
Scrambler 1200	1200	2008	→	(x2)	FDB2006	FDB2018

MOTOBECANE

all models 50 (mozzi atom)	50	1988	→	1989	FSB712	
all models 50 (mozzi leleu)	50	1988	→	1989	FSB712	

* It is recommended that in those applications where sintered pads are supplied as Original Equipment, replacement pads should also be of sintered composition.

** To avoid brake imbalance sintered pads fitted in rear calipers should only be used in combination with front calipers containing sintered pads.



CC FROM → TO



NOTES



NOTES

MOTORHISPANIA

MX 50 FURIA	50	2000	→		FRP405	FRP405
RX 50 RACING	50	2000	→		FDB438	FRP405

MOTRON

KCV 50	50		→		FDB250	
V 3 50 RID	50		→		FDB213	

MV AGUSTA

675 - F3	675	2012	→	(x2)	FDB2042	FDB2074
675 - F3 Serie Oro	675	2012	→	(x2)	FDB2260	FDB2074
675 - Brutale	675	2012	→	(x2)	FDB2042	FDB2074
F4 750 Brutale	750	1999	→	(x2)	FDB2036	FDB2198
BRUTALE DRAGSTER 800	800	2015	→	(x2)	FDB2042	FDB2074
BRUTALE DRAGSTER 800 RR	800	2015	→	(x2)	FDB2042	FDB2074
Rivale	800	2013	→	(x2)	FDB2265	FDB2074
STRADALE 800	800	2015	→	(x2)	FDB2265	FDB2074
TURISMO VELOCE 800	800	2015	→	(x2)	FDB2265	FDB2074
TURISMO VELOCE 800 LUSO	800	2015	→	(x2)	FDB2265	FDB2074
BRUTALE 910 / Hydrogen	910	2007	→	(x2)	FDB2036	FDB2198
BRUTALE 910 R / Starfighter	910	2006	→	(x2)	FDB2120	FDB2198
920 - Brutale	920	2011	→	2012	(x2) FDB2042	FDB2198
BRUTALE 989 R	989	2008	→	(x2)	FDB2042	FDB2198
BRUTALE 990 R	990	2010	→	(x2)	FDB2042	FDB2198
F4 1000	1000	2003	→	2005	(x2) FDB2036	FDB2198
F4 1000 R (1+1)	1000	2006	→	2007	(x2) FDB2120	FDB2198
F4 Stealth Italian Flag	1000	2010	→	(x2)	FDB2260	FDB2198
F4 Stealth Italian Flag	1000	2010	→	(x2)	FDB2218	FDB2198
F4 VELTRO	1000	2008	→	2009	(x2) FDB2166	FDB2198
BRUTALE 1078 R	1078	2008	→	(x2)	FDB2260	FDB2198
BRUTALE 1078 R	1078	2008	→	(x2)	FDB2218	FDB2198
F4 100CC	1078	2007	→	2008	(x2) FDB2166	FDB2198
F4 312 R	1078	2007	→	(x2)	FDB2260	FDB2198
F4 312 R	1078	2007	→	(x2)	FDB2218	FDB2198
F4 RR 1078	1078	2008	→	(x2)	FDB2260	FDB2198
F4 RR 1078	1078	2008	→	(x2)	FDB2218	FDB2198
BRUTALE 1090 RR	1090	2010	→	(x2)	FDB2260	FDB2198
BRUTALE 1090 RR	1090	2010	→	(x2)	FDB2218	FDB2198

MZ

ETZ 125	125		→		FSB824	FSB824
ETZ 125	125	1982	→	1992	FDB108	FSB824
SAXON 125	125	1993	→	1997	FDB108	FSB823
TS 125	125		→		FSB823	FSB824
ETZ 150	150		→		FSB824	FSB824
ETZ 150	150	1982	→	1992	FDB108	FSB824
SAXON 150	150	1995	→		FDB108	FSB823
TS 150	150		→		FSB823	FSB824
ETZ 250	250		→		FSB823	FSB823
ETZ 250	250	1982	→	1992	FDB148	FSB823
TS 250	250		→		FSB823	FSB823
FUN 251	251	1995	→	1996	FDB108	FSB823
ETZ 301	301	1990	→	1992	FDB108	FSB823
SAXON 500	500	1993	→	1998	FDB108	FSB823
BAGHIRA / MASTIFF	660	2000	→		FDB782	FDB828
SKORPION CUP / SPORT / TOUR / TRAVELLER	660	1995	→		FDB498	FDB207
SKORPION REPLICA	660	1995	→		FRP408	FDB207

NORTON

adaptable to front 200x30 drums			→		FSB923	
COMMANDER	580	1990	→	(x2)	FDB337	FDB337
FORMULA 1	588	1989	→	1991	(x2) FRP408	FDB207
FORMULA 1 SPORT	588	1992	→	(x2)	FRP408	FRP408
INTERPOL 2 (ROTARY)	588	1983	→	(x2)	FDB108	FDB108
COMMANDO	750	1968	→	1970	FSB920	FSB922
COMMANDO	750	1975	→	1975	FDB88	FDB88

* It is recommended that in those applications where sintered pads are supplied as Original Equipment, replacement pads should also be of sintered composition.

** To avoid brake imbalance sintered pads fitted in rear calipers should only be used in combination with front calipers containing sintered pads.



CC FROM → TO



NOTES



NOTES

OSSA

CROSS 125	125	1974	→	FSB825	FSB828
CROSS 250	250	1974	→	FSB825	FSB828
FUEGO 250	250	1974	→	FSB825	FSB828
TRIAL 250 (all models)	250	1981	→	FSB826	FSB827
TRIAL 250 (all models)	250	2000	→	FSB825	FSB825
TRIAL 350 (all models)	350	1981	→	FSB826	FSB827
TRIAL 350 (all models)	350	2000	→	FSB825	FSB825
TU-YO 360	360		→	FDB213	FDB213

PEUGEOT

103 / 104 / 105 50	50		→	FSB712	FSB712
ASV 50 (telescopic fork)	50	1993	→	FSB712	FSB712
BUXI 50	50	1994	→ 1997	FDB680	FSB704
BUXI RS 50	50	1994	→ 1997	FDB313	FSB704
ELYSEO 50	50	1998	→ 2002	FRP405	FSB704
ELYSEO 50	50	2003	→	FRP405	FRP405
FOX 50	50	1996	→	FSB906	FSB704
JET FORCE 50	50	2003	→	FRP405	FRP405
LOOXOR 50	50	2001	→	FRP405	FSB704
LUDIX ONE 50	50	2004	→	FSB704	FSB704
METROPOLIS 50	50		→	FSB704	FSB703
SC 50	50		→	FSB704	FSB703
SPEEDAKE 50	50	1995	→ 2001	FDB680	FSB704
SPEEDFIGHT 50 (liquid cooled AJP caliper)	50	1998	→ 2000	FRP405	FRP405
SPEEDFIGHT 50 M (AJP caliper)	50	1997	→ 1998	FRP405	FSB704
SPEEDFIGHT 50 M (Heng-Tong caliper)	50	1997	→	FDB313	FSB704
SQUAB 50	50	1996	→ 2001	FRP405	FSB704
SQUAB 50 (Heng-Tong caliper)	50	1996	→ 2001	FDB313	FSB704
ST 50	50		→	FSB702	FSB703
ST 50 RAPIDO	50		→	FSB754	FSB754
STL 2 50	50		→	FSB702	FSB703
SV 50 APS SYSTEM	50	1991	→	FSB704	FSB704
SV 50 GEO	50	1992	→	FDB783	FSB704
SV 50 GEO (all models)	50	1993	→	FDB672	FSB704
SX 50	50		→	FSB704	FSB754
TREKKER 50 ROAD	50	1997	→	FDB313	FSB704
VIVACITY 50 .	50	1998	→ 2003	FRP405	FSB704
X FIGHT 50 (liquid cooled)	50	2000	→	FRP405	FRP405
X FIGHT 50 M	50	2000	→	FRP405	FSB704
XR 6 50	50	2002	→	FDB706	FRP405
ZENITH 50	50	1994	→ 1995	FDB783	FSB704
ZENITH 50	50	1996	→ 2000	FRP405	FSB704
SC 75	75		→	FSB704	FSB703
SX 75	75		→	FSB704	FSB703
METROPOLIS 80	80		→	FSB704	FSB703
SC 80	80		→	FSB704	FSB754
SV 80 EXECUTIVE	80	1996	→	FDB539	FSB704
SX 80	80		→	FSB704	FSB703
ELYSEO 100	100	1998	→	FRP405	FSB704
ELYSEO 100	100	1999	→ 2002	FRP405	FSB962
ELYSEO 100	100	2003	→	FRP405	FRP405
LOOXOR 100	100	2001	→	FRP405	FRP405
TREKKER 100	100	1998	→	FRP405	FSB704
VIVACITY 100 .	100	1998	→	FRP405	FSB704
X FIGHT 100 (liquid cooled)	100	2000	→	FRP405	FRP405
X FIGHT 100 M	100	2000	→	FRP405	FSB704
ELYSEO 125	125	1998	→ 2000	FRP405	FSB762
ELYSEO 125	125	2001	→ 2002	FDB2128	
ELYSEO 125	125	2003	→	FDB677	FDB2128
LOOXOR 125 / 150	125	2003	→	FDB2105	FRP405
LUDIX 125	125	2004	→	FRP405	FSB704
SATELIS 125	125	2006	→	FDB677	FRP405
SATELIS 125 / 600	125	2004	→ 2005	FDB570	FDB2128
SV 125 GEO	125	1991	→ 1992	FDB783	FSB704
SV 125 GEO	125	1993	→	FDB672	FSB704
ELYSEO 150	150	2000	→	FRP405	FDB2128
ELYSEO 150	150	2001	→	FDB677	FDB2128
SV 250	250	2001	→	FDB2075	FDB531
XPS 6 SUPERMOTARD	600	2003	→	FDB706	FRP405

* It is recommended that in those applications where sintered pads are supplied as Original Equipment, replacement pads should also be of sintered composition.

** To avoid brake imbalance sintered pads fitted in rear calipers should only be used in combination with front calipers containing sintered pads.



CC FROM → TO



NOTES



NOTES

PGO

BIG MAX 50	50	1995	→	2004	FDB636	FSB883
BIG MAX 50 S	50	2003	→	2004	FDB2190	FSB883
COMET 50	50	1991	→		FDB313	FSB883
GALAXI 50	50	1992	→		FDB313	FSB883
MY BUBU 50	50	2003	→		FDB889	FSB731
PMX 50	50	2000	→	2004	FDB2190	FSB883
PS 50	50	1993	→		FDB313	FSB883
STAR 2 50	50	1994	→		FSB704	FSB703
STAR 50	50	2000	→		FSB704	FSB703
SUPER FIFTY 50 (BRASIL)	50		→			FSB883
T-REX 50	50	1999	→	2004	FDB2190	FSB777
BIG MAX 80	80		→		FSB704	FSB703
STAR 80	80	1990	→		FSB704	FSB703
GALAXI 90	90	1992	→		FDB313	FSB883
PMX 110	110	2000	→	2004	FDB2190	FSB883
T-REX 110	110	1999	→	2004	FDB2190	FSB777
CHARGE 125 A / B	125	2001	→	2002	FDB2190	FSB777
I-CHARGE 125	125	2003	→	2004	FDB2190	FSB721
MY BUBU 100 / 125	125	2003	→	2004	FDB2190	FSB721
T-REX 125	125	1999	→	2004	FDB2190	FSB721
YOUNG BUBU 125	125	2003	→	2004	FDB2190	FSB721
T-REX 150	150	1999	→	2004	FDB2190	FSB721

PIAGGIO

FLY 50 2T	50	2005	→		FDB2142	FSB954
FLY 50 4T	50	2005	→		FDB2142	FSB954
FREE 50	50	1993	→	1995	FSB902	FSB915
FREE 50	50	1996	→	2000	FDB697	FSB940
FREE 50	50	2002	→		FDB680	FSB938
FREE 50 (alloy wheels)	50	1996	→	2000	FSB915	FSB895
FREE Delivery 50	50	2000	→	2001	FDB697	FSB940
LIBERTY 50	50	1997	→	2003	FDB2057	FSB954
Liberty Sport 50 4T	50	2007	→	2008	FDB680	FDB680
NGR 50 POWER DD / Silver Bullet	50	2005	→		FDB313	FDB2057
NGR 50 POWER DT	50	2005	→	2007	FDB313	FSB938
NRG 50	50	1994	→	1995	FDB680	FSB895
NRG 50	50	1996	→	1997	FDB680	FSB940
NRG 50 DT MC3 (Rear drum model)	50	2001	→	2005	FDB680	FSB938
NRG 50 EXTREME (Rear disc model)	50	1999	→	2001	FDB680	FDB2057
NRG 50 EXTREME (Rear drum model)	50	1999	→	2001	FDB680	FSB938
NRG 50 MC2	50	1996	→	1997	FDB680	FSB940
NRG 50 MC2	50	1998	→		FDB680	FSB938
NRG 50 MC2 DD	50	1998	→		FDB680	FDB2057
NRG 50 MC3 DD (Rear disc model)	50	2001	→	2005	FDB680	FDB2057
NRG 50 Power DD	50	2005	→	2013	FDB313	FDB2057
NRG 50 Power DT	50	2005	→	2013	FDB313	FSB938
NRG 50 Power Pure Jet	50	2004	→	2010	FDB313	FDB2057
NRG 50 Silver Bullet	50	2010	→	2010	FDB313	FDB2057
NTT 50	50	1996	→		FDB680	FSB940
NTT 50	50	2000	→		FDB680	FSB895
QUARTZ 50	50	1992	→	1996	FDB784	FSB895
SCATTO 50	50	1990	→	1993	FSB896	FSB896
SFERA 50	50	1991	→	1994	FSB894	FSB895
SFERA 50 RST	50	1995	→	1997	FDB2037	FSB940
TPH 50 X-R	50	2005	→		FDB680	
TYPHOON 50	50	1993	→	1999	FDB680	FSB940
TYPHOON XR 50	50	2000	→	2007	FDB680	FSB938
VELOFAX 50	50	1996	→		FSB938	FSB951
VESPA 50	50		→		FSB890	FSB885
VESPA 50 ET2	50	1997	→	1998	FDB2057	FSB938
VESPA 50 ET4	50	1999	→		FDB2057	FSB938
VESPA 50 HP	50	1992	→	1996	FSB874	FSB874
VESPA 50 PK SPECIAL - XL	50	1986	→	1989	FSB890	FSB874
VESPA 50 PK XL 2	50		→		FSB874	FSB874
VESPA 50 PK XL 2 AUTOMATICA	50		→		FSB874	FSB887
VESPA 50 SPECIAL	50		→		FSB890	FSB891
VESPA 50 V FL 2	50	1990	→	1996	FSB874	FSB874
VESPA LX 50 2T	50	2007	→		FDB2115	
XR 50	50	2000	→		FDB680	FSB938
ZIP 50	50	1992	→	1996	FSB915	FSB895
ZIP 50	50	1999	→		FSB952	FSB938

* It is recommended that in those applications where sintered pads are supplied as Original Equipment, replacement pads should also be of sintered composition.

** To avoid brake imbalance sintered pads fitted in rear calipers should only be used in combination with front calipers containing sintered pads.



CC FROM → TO



NOTES



NOTES

...PIAGGIO

ZIP 50 Grimeca/Heng Tong A/C 4T	50	2000	→	2008	FDB2057	FSB938
ZIP 50 SP	50	2001	→	2006	FDB2057	FSB938
ZIP 50 BASE (Disc)	50	1995	→	1996	FDB680	FSB938
ZIP 50 Electric	50	2002	→		FDB680	FSB940
ZIP 50 FAST RIDER	50	1993	→	1997	FDB680	FSB940
ZIP 50 RST	50	1996	→	1997	FDB2057	FSB938
ZIP 50 RST	50	1998	→	1999	FDB2057	FSB952
ZIP 50 SP	50	1996	→	2000	FDB2057	FSB938
ZUM 50	50	1991	→	1996	FSB896	FSB896
SFERA 80	80	1994	→	1996	FSB894	FSB895
SKIPPER 80	80	1994	→	1996	FDB784	FSB895
TYPHOON 80	80	1993	→	1996	FDB680	FSB940
VESPA 90 PRIMAVERA	90		→		FSB890	FSB891
FREE 100	100	2002	→		FDB680	FSB954
BEVERLY 125 (Grimeca caliper)	125	2001	→		FDB677	FDB677
BEVERLY B 125 (Heng Tong caliper)	125	2002	→	2006	FDB2142	FDB2142
CORNABY 125	125	2008	→		FDB2142	FDB2186
COSA 125	125	1989	→	1991	FSB893	FSB892
COSA 2 125	125	1992	→	1997	FSB893	FSB892
DNA 125	125	2000	→	2003	FDB677	FDB2115
FLY 125	125	2004	→	2006	FDB2142	FSB954
HEXAGON 125	125	1994	→	1997	FDB680	FSB938
HEXAGON 125 LX	125	1998	→	1999	FDB677	FSB954
LIBERTY 125 (5 Spoke wheels)	125	1998	→	2008	FDB2057	FSB954
MP3 125 ie	125	2006	→	(x2)	FDB2057	FDB2207
MP3 Hybrid 125	125	2010	→	(x2)	FDB2057	FDB2186
SFERA 125	125	1995	→	1997	FDB2037	FSB938
SFERA 125 (4 stroke)	125	1996	→		FDB2057	FSB938
SKIPPER 125	125	1993	→	1997	FDB784	FSB938
SKIPPER 125 ST 4T	125	1998	→	1999	FDB677	FSB954
SKIPPER ST 125 (Grimeca caliper)	125	2000	→		FDB677	FSB954
SKIPPER ST 125 (Heng Tong caliper)	125	2000	→		FDB2142	FSB954
SUPER HEXAGON 125 GTX	125	2001	→		FDB2142	FDB2115
TYPHOON 125 / XR 125	125	1995	→	2000	FDB680	FSB938
TYPHOON 125 / XR 125	125	1999	→	2003	FDB680	FSB954
VESPA 125	125	1951	→	1962	FSB890	FSB875
VESPA 125	125	1963	→	1972	FSB890	FSB873
VESPA 125 ET3	125		→		FSB890	FSB891
VESPA 125 ET4	125	1996	→		FDB2057	FSB938
VESPA 125 PK AUTOMATICA	125	1984	→		FSB874	FSB887
VESPA 125 PK SPECIAL - XL	125	1986	→		FSB874	FSB874
VESPA 125 PK XL 2	125		→		FSB874	FSB874
VESPA 125 PRIMAVERA	125	1967	→	1983	FSB890	FSB891
VESPA 125 PX	125	1978	→	1982	FSB874	FSB874
VESPA 125 PX	125	1998	→	2013	FDB2100	FSB874
VESPA 125 PX ARCOBALENO	125	1981	→	1997	FSB874	FSB874
VESPA 125 V FL2	125	1991	→	1997	FSB874	FSB874
VESPA GRANTURISMO 125 (Grimeca caliper)	125	2003	→		FDB677	FDB2115
VESPA GRANTURISMO 125 (Heng Tong caliper)	125	2003	→		FDB2142	FDB2115
VESPA LXV 125 / LX 125 / LXW 125 / Touring	125	2007	→		FDB2115	
X8 125	125	2005	→		FDB2142	FDB2207
X9 125	125	2001	→	2002 (x2)	FDB2074	FDB2074
X9 125 Evolution (left)	125	2004	→		FDB2142	
X9 125 Evolution (right)	125	2004	→		FDB2186	FDB2074
ZIP 125	125	2000	→		FDB2057	FSB938
COSA 150	150	1989	→	1991	FSB893	FSB892
COSA 2 150	150	1992	→	1997	FSB893	FSB892
FLY 150	150	2006	→	2008	FDB2142	
HEXAGON 150	150	1994	→	1999	FDB680	FSB938
SKIPPER 150	150	1993	→	1997	FDB784	FSB938
SKIPPER 150 ST 4T	150	1998	→	1999	FDB677	FSB954
SKIPPER ST 150 (Grimeca caliper)	150	2000	→		FDB677	FSB954
SKIPPER ST 150 (Heng Tong caliper)	150	2000	→		FDB2142	FSB954
SUPER HEXAGON 150 GTX	150	2001	→		FDB2142	FDB2115
VESPA 150	150	1951	→	1962	FSB890	FSB875
VESPA 150	150	1963	→	1972	FSB890	FSB873
VESPA 150 ET4	150	1996	→		FDB2057	FSB938
VESPA 150 PX	150	1978	→	1982	FSB874	FSB874
VESPA 150 PX	150	1998	→		FDB2100	FSB874
VESPA 150 PX ARCOBALENO	150	1983	→	1990	FSB874	FSB874
VESPA 150 SPRINT VELOCE	150		→		FSB869	FSB874
VESPA 150 SUPER	150		→		FSB890	FSB879

* It is recommended that in those applications where sintered pads are supplied as Original Equipment, replacement pads should also be of sintered composition.

** To avoid brake imbalance sintered pads fitted in rear calipers should only be used in combination with front calipers containing sintered pads.



CC FROM -> TO



NOTES



NOTES

...PIAGGIO

VESPA LX 150	150	2007	→		FDB2115		
VESPA 160 GS	160		→		FSB869		FSB874
DNA 180	180	2001	→ 2002		FDB677		FDB2115
HEXAGON 180 LX	180	1998	→ 1999		FDB677		FSB954
SUPER HEXAGON 180 GTX	180	2000	→		FDB677		FDB2057
SUPER HEXAGON 180 GTX	180	2001	→ 2003		FDB2142		FDB2115
VESPA 180 SS	180		→		FSB869		FSB874
X9 180 AMALFI	180	2001	→ 2003	(x2)	FDB2074		FDB2074
BEVERLY 200 (Grimeca caliper)	200	2001	→		FDB677		FDB677
BEVERLY B 200 (Heng Tong caliper)	200	2002	→ 2006		FDB2142		FDB2142
COSA 2 200	200	1992	→		FSB893		FSB892
COSA 200	200	1989	→		FSB893		FSB892
VESPA 200 PE	200	1983	→		FSB874		FSB874
VESPA 200 PX	200	1998	→		FDB2100		FSB874
VESPA 200 PX ARCOBALENO	200	1983	→		FSB874		FSB874
VESPA 200 PX E	200	1978	→		FSB874		FSB874
VESPA 200 RALLY	200		→		FSB869		FSB874
VESPA GRANTURISMO 200 (Grimeca caliper)	200	2003	→		FDB677		FDB2115
VESPA GRANTURISMO 200 (Heng Tong caliper)	200	2003	→		FDB2142		FDB2115
X8 200	200	2004	→		FDB2142		FDB2074
X9 200	200	2002	→ 2003	(x2)	FDB2074		FDB2074
BEVERLY 250 (Grimeca caliper)	250	2002	→ 2006		FDB677		FDB677
BEVERLY 250 i.e.	250	2006	→ 2008		FDB2142		FDB2142
BEVERLY Tourer 250 i.e.	250	2007	→ 2009		FDB2142		FDB2142
HEXAGON 250	250	1998	→ 1999		FDB677		FSB762
MP3 250	250	2007	→	(x2)	FDB2057		FDB2207
SUPER HEXAGON 250 GTX	250	2001	→ 2002		FDB677		FDB2115
VESPA GTS - GTV 250 ie	250	2008	→		FDB2142		FDB2115
X-EVO 250 ie	250	2008	→		FDB2142		FDB2186
X7 250	250	2008	→		FDB2186		FDB2186
X8 250	250	2006	→		FDB2142		FDB2207
X9 250 AMALFI	250	2000	→ 2003	(x2)	FDB2074		FDB2074
X9 250 Evolution (left)	250	2004	→ 2005		FDB2142		
X9 250 Evolution (left)	250	2005	→ 2005		FDB2142		
X9 250 Evolution (right)	250	2004	→ 2005		FDB2186		FDB2074
X9 250 Evolution (right)	250	2005	→ 2005		FDB2186		FDB2207
GTV Via Montenapoleone 280	280	2010	→		FDB2142		FDB2115
BEVERLY 300 ie RST (4T 4V)	300	2010	→		FDB2142		FDB2186
BEVERLY Tourer 300	300	2009	→ 2010		FDB2142		FDB2142
CARNABY CRUISER 300 ie	300	2008	→		FDB2142		FDB2142
MP3 300 ie LT Business ABS	300	2014	→	(x2)	FDB2277		FDB2186
MP3 300 ie LT Sport	300	2011	→ 2013	(x2)	FDB2057		FDB2186
MP3 300 ie LT Sport ABS	300	2014	→	(x2)	FDB2277		FDB2186
MP3 LT 300 ie	300	2010	→ 2011	(x2)	FDB2057		FDB2186
MP3 MIC 300 ie	300	2010	→ 2011	(x2)	FDB2057		FDB2186
VESPA GTS 300 i.e.	300	2012	→		FDB2142		FDB2115
VESPA GTS 300 i.e. Supersport	300	2010	→ 2013		FDB2142		FDB2115
VESPA GTS 300 i.e. Touring	300	2011	→ 2012		FDB2142		FDB2115
VESPA GTS 300 Super	300	2008	→		FDB2142		FDB2115
X7 EVO 300	300	2010	→		FDB2142		FDB2186
BEVERLY 350 ie Sport Touring (4T 4V) ABS	350	2011	→		FDB2142		FDB2186
BEVERLY 350 ie Sport Touring (4T 4V) NO ABS	350	2011	→		FDB2105		FDB2186
MP3 400 ie	400	2007	→ 2008	(x2)	FDB2057		FDB2142
MP3 LT 400 ie	400	2009	→	(x2)	FDB2057		FDB2207
X-EVO 400 ie (left)	400	2008	→		FDB2142		
X-EVO 400 ie (right)	400	2008	→		FDB2186		FDB2186
BEVERLY 500	500	2002	→ 2005	(x2)	FDB2074		FDB2074
BEVERLY 500	500	2006	→ 2006	(x2)	FDB2074		FDB2207
BEVERLY CRUISER 500 ie	500	2007	→ 2012	(x2)	FDB2074		FDB2074
M 500 Minicar	500	2006	→ 2008		FDB2153		
MP3 500 i.e. Bussines	500	2011	→ 2012	(x2)	FDB2057		FDB2186
MP3 500 i.e. LT Business ABS/ASR	500	2014	→	(x2)	FDB2277		FDB2142
MP3 500 i.e. LT Bussines	500	2011	→ 2013	(x2)	FDB2057		FDB2186
MP3 500 i.e. LT Sport	500	2011	→ 2013	(x2)	FDB2057		FDB2186
MP3 500 i.e. Sport	500	2012	→ 2012	(x2)	FDB2057		FDB2186
MP3 500 i.e. Sport ABS/ASR	500	2014	→	(x2)	FDB2277		FDB2142
PK 500 Motocarro	500	2006	→ 2008		FDB2153		
X9 500	500	2001	→ 2002	(x2)	FDB2074		FDB2074
X9 500	500	2003	→	(x2)	FDB2018		FDB2074

* It is recommended that in those applications where sintered pads are supplied as Original Equipment, replacement pads should also be of sintered composition.

** To avoid brake imbalance sintered pads fitted in rear calipers should only be used in combination with front calipers containing sintered pads.



CC FROM → TO



NOTES



NOTES

PIAGGIO (moped)

BOSS 50	50	1988	-	FSB908	FSB889
BOXER 50	50	-	-	FSB902	FSB889
BRAVO 50	50	-	-	FSB902	FSB889
BRAVO 50 (alloy wheels 90mm hub)	50	1987	-	FSB908	FSB889
BRAVO 50 (alloy wheels)	50	1987	-	FSB910	FSB889
CIAO 50	50	-	-	FSB902	FSB889
CIAO 50 (alloy wheels)	50	1987	-	FSB910	FSB889
CIAO 50 MIX	50	1997	-	FSB952	FSB889
GRILLO 50	50	1989	-	FSB910	FSB889
P1 50	50	1994	-	FSB937	FSB937
SI 50	50	-	-	FSB902	FSB889
SI 50 (alloy wheels)	50	1980	-	FSB910	FSB889
SI 50 MIX	50	1997	-	FSB952	FSB889
SUPER BRAVO 50	50	1985	-	FSB902	FSB889
SUPERBRAVO 50 3 Marce	50	1987	-	FSB910	FSB888

PIAGGIO (motocarri)

APE 50 EURO 2	50	2003	-	2010	FSB890	FSB886
APE 50 FL/FL2	50	1989	-	1995	FSB890	FSB886
APE 50 FL3 EUROPA	50	1996	-	1999	FSB890	FSB886
APE 50 P	50	1980	-	1985	FSB890	FSB886
APE 50 RST MIX	50	1999	-	2005	FSB890	FSB886
APE 50 TM P	50	1985	-	1989	FSB890	FSB886
PORTER	50	1993	-	-	-	FSB965
APE 150 C 1/2/3	150	-	-	-	FSB890	-
APE 150 C4	150	-	-	-	FSB890	FSB884
APE 175 PENTARO'	175	-	-	-	FSB890	FSB884
APE CAR 220 P2/P3	220	1978	-	1985	FSB872	FSB872
APE MP 220 P 501 (II SERIE)	220	1978	-	1996	FSB882	FSB882
APE MP 220 P 601 (I SERIE)	220	1978	-	-	FSB882	FSB882
APE MP 220 P 601 (I SERIE) senza mozzo	220	1978	-	-	FSB882	FSB882
APE MP 220 P 601 (II SERIE)	220	1978	-	1996	FSB882	FSB882
APE TM 220	220	2009	-	2010	FSB872	FSB872
APE TM 220 P 602	220	1982	-	1983	FSB872	FSB872
APE TM 220 P 703 / P 703 V / FL2	220	1984	-	2002	FSB872	FSB872
APE CAR 420 DIESEL	420	1986	-	1996	FSB878	FSB878
APE CAR 420 MAX DIESEL 9 q.li	420	1986	-	1996	FSB878	FSB878
APE MP 420 601 CLASSIC	420	2006	-	2007	FSB872	FSB872
APE POKER 420 BENZINA	420	1993	-	-	FSB935	FSB935
APE POKER 420 DIESEL	420	1993	-	1997	FSB935	FSB935
APE TM 420 DIESEL LCS	420	2005	-	2010	FSB872	FSB872
APE TM 420 P703 / P703 V DIESEL	420	1987	-	2004	FSB872	FSB872
VTL 500 QUARGO	500	2005	-	-	FSB935	FSB935

PIAGGIO (Spain)

VESPINO 50	50	1980	-	-	FSB910	FSB912
VESPINO 50	50	2000	-	-	FSB902	FSB912
VESPA 80	80	-	-	-	FSB890	FSB874
VESPA 80 PX	80	-	-	-	FSB890	FSB874
VESPA 80 SPECIAL	80	-	-	-	FSB890	FSB874
VESPA 150 PX	150	-	-	-	FSB874	FSB874

PUCH

adaptable to 95x22 front and rear drums	-	-	-	-	FSB831	FSB831
MAXI 30 30 all models	30	-	-	-	FSB712	FSB712
MAXI 40 40 all models	40	-	-	-	FSB712	FSB712
BORRASCA 50	50	-	-	-	FSB826	FSB826
CONDOR 50	50	-	-	-	FDB2107	FSB820
GTL 50	50	-	-	-	FDB213	FSB712
MINICROSS 50	50	-	-	-	FSB826	FSB826
MONZA 50	50	1983	-	-	FSB820	FSB820
MONZA 50	50	1984	-	-	FDB213	FSB827
MONZA 50	50	1985	-	-	FDB2107	FSB827
MONZA 50 4 GP all models	50	-	-	-	FSB712	FSB712
MONZA 50 4 SL	50	-	-	-	FSB712	FSB712
MONZA 50 50 (alloy wheels 160x17)	50	1984	-	-	FSB827	FSB827
RADICAL 50	50	1994	-	-	FSB937	FSB937

* It is recommended that in those applications where sintered pads are supplied as Original Equipment, replacement pads should also be of sintered composition.

** To avoid brake imbalance sintered pads fitted in rear calipers should only be used in combination with front calipers containing sintered pads.



CC FROM → TO



NOTES



NOTES

...PUCH

COBRA 75	75	1985	→	FDB2107	FSB820
LIDO 75 (scooter)	75	1986	→	FSB777	FSB777
80 /6	80		→	FDB213	FSB712
COBRA 80	80	1984	→	FDB2107	FSB820
GS 80 V	80	1983	→	FSB898	FSB898
MAXI 80	80	1988	→	FDB696	FDB207
MAXI 80 EXECUTIVE	80	1988	→	FSB908	FSB877
125	125	1987	→	FDB438	
FS 125 REGOLARITA'	125	1983	→	FSB898	FSB898
CROSS 250	250	1986	→ 1986	FDB207	FDB694
F5 250	250	1984	→	FSB898	
F5 250 REGOLARITA'	250	1983	→	FSB901	FSB876
HFE 250	250	1986	→ 1986	FDB207	FSB876
MC 250 VHS W	250	1983	→	FSB901	FSB876
CROSS 347	347	2000	→	FSB901	FSB852
FS 347 REGOLARITA'	347	2000	→	FSB901	FSB876
348	348		→	FDB213	
MC 496	496	2000	→	FSB901	FSB876
504	504		→	FDB213	
506	506		→	FDB213	
560 (Rotax engine)	560		→	FDB213	
ENDURO 600 4 VALVES	600	1985	→	FDB207	FDB207

RAPIDO

SCRENNIA 50	50		→	FSB914	FSB731
-------------	----	--	---	--------	--------

REAL

NEVADA 80 SPORT	80		→	FDB213	
-----------------	----	--	---	--------	--

RIEJU

MARATHON RV 50	50	1974	→	FSB832	FSB832
MRT 50	50	2008	→	FDB384	FDB384
MRT 50 PRO / SUPERMOTARD / Competizione	50	2008	→	FDB2074	FDB384
MRT 50 SUPERMOTARD	50	2010	→	FDB384	FDB384
MRX 50	50	2003	→ 2008	FRP405	FRP405
MRX 50 CASTROL	50	2001	→ 2002	FDB706	FRP405
MRX 50 PRO / TOP	50	2004	→ 2008	FDB677	FRP405
MTR 50 Competizione (Spoke Wheel)	50	2011	→	FDB2242	FDB2162
NKD 50	50	2007	→	FDB2147	FRP405
RR 50 CASTROL	50	2000	→ 2002	FDB706	FRP405
RR 50 SPORT	50	2003	→ 2006	FRP405	FRP405
RR 50 THUNDERFIRE	50	1997	→ 2002	FRP405	FRP405
RS1 50	50	1997	→ 2000	FRP405	FRP405
RS1 50	50	2001	→ 2004	FDB706	FRP405
RS2 50	50	2009	→	FDB2147	FRP405
RS2 50 FR / PRO	50	2008	→	FDB2169	FDB828
RS2 50 MATRIX / PRO 50 (JJUAN)	50	2007	→ 2008	FDB2169	FDB384
RS2 50 PRO	50	2009	→	FDB2169	FDB828
RS2 50 PRO (AJP)	50	2006	→ 2008	FRP405	FRP405
RS2 MATRIX 50 (AJP)	50	2002	→ 2008	FDB2147	FRP405
RS2 NKD	50	2005	→	FDB677	FRP405
SMX 50	50	2002	→	FRP405	FRP405
SMX 50 PRO	50	2004	→	FDB677	FRP405
SPIKE 50	50	2004	→	FRP405	FRP405
SPIKE 50 MOTARD	50	2004	→	FDB706	FRP405
TANGO 50 / TANGO! 50	50	2007	→	FDB2074	FRP405
TANGO 50 Motard	50	2009	→	FDB384	FRP405
MR 80	80		→	FDB2107	FSB827
MARATHON 125 / MOTARD	125	2008	→	FDB384	FDB384
MARATHON 125 PRO / SUPERMOTARD	125	2008	→	FDB2074	FDB384
Marathon Pro 125 Competizione (Spoke Wheel)	125	2011	→	FDB2242	FDB2162
MRX 125	125	2002	→ 2008	FDB706	FRP405
NKD 125	125	2006	→ 2007	FDB2147	FRP405
NKD 125	125	2008	→	FDB2169	FDB828
RS2 125 (AJP)	125	2006	→ 2008	FDB2147	FRP405
RS2 125 / PRO	125	2009	→	FDB677	FRP405
RS2 125 / PRO 125 (JJUAN)	125	2007	→ 2008	FDB2169	FDB384

* It is recommended that in those applications where sintered pads are supplied as Original Equipment, replacement pads should also be of sintered composition.

** To avoid brake imbalance sintered pads fitted in rear calipers should only be used in combination with front calipers containing sintered pads.



CC FROM → TO



NOTES



NOTES

...RIEJU

RS3 125	125	2009	→		FDB2074		FRP405
SMX 125	125	2002	→ 2007		FDB706		FRP405
SMX 125 / Street	125	2007	→		FDB2074		FRP405
TANGO 125	125	2011	→		FDB2242		FDB2128
TANGO 125 / PRO	125	2006	→ 2010		FDB2074		FRP405
MARATHON 250	250	2010	→		FDB2018		FDB2165
TANGO 250	250	2008	→ 2011		FDB2074		FRP405
TANGO 250	250	2012	→ 2013		FDB2242		FDB2128
MARATHON 450	450	2010	→		FDB2018		FDB2165
MARATHON 450 Motard	450	2010	→	(x2)	FRP416		FDB2165

RIXE

RS 80 W	80		→	(x2)	FDB213		
---------	----	--	---	------	--------	--	--

RIZZATO

ATALA CALIFFONE 50 (alloy wheels)	50		→		FSB907		FSB907
ATALA CALIFFONE 50 (spoke wheels)	50		→		FSB910		FSB910
ATALA CAROSELLO 50	50	1997	→		FDB697		
ATALA HACKER 50	50	1995	→		FDB680		FSB777
ATALA MASTER 50 (alloy wheels)	50		→		FSB907		FSB907
ATALA UNO 50 (spoke wheels)	50		→		FSB902		FSB902

ROYAL ENFIELD

Bullet500 (Efi / Dual Seat)	500	2009	→ 2014		FDB497		
Bullet500 (Efi / Dual Seat)	500	2009	→ 2014		FDB497		
BulletBattle Green 500 (Efi / Single Seat)	500	2009	→ 2014		FDB497		
BulletBattle Green 500 (Efi / Single Seat)	500	2009	→ 2014		FDB497		
BulletClassic 500 (Efi / Single Seat)	500	2009	→ 2014		FDB497		
BulletClassic 500 (Efi / Single Seat)	500	2009	→ 2014		FDB497		
BulletClassic Chrome 500 (Efi / Single Seat)	500	2009	→ 2014		FDB497		
BulletClassic Chrome 500 (Efi / Single Seat)	500	2009	→ 2014		FDB497		
BulletDesert Storm 500 (Efi / Single Seat)	500	2012	→ 2014		FDB497		
BulletDesert Storm 500 (Efi / Single Seat)	500	2012	→ 2014		FDB497		
BulletElectra X (All disc models/Dual Seat)	500	2005	→ 2014		FDB497		
BulletElectra X (All disc models/Dual Seat)	500	2005	→ 2014		FDB497		
Clubman500 EFI	500	2009	→ 2012		FDB497		
Clubman500 EFI	500	2009	→ 2012		FDB497		
Electra500 EFI	500	2009	→ 2014		FDB497		
Electra500 EFI	500	2009	→ 2014		FDB497		
Fury500 (Efi)	500	2011	→ 2012		FDB497		
Fury500 (Efi)	500	2011	→ 2012		FDB497		
Trials500 EFI	500	2009	→ 2012		FDB497		
Trials500 EFI	500	2009	→ 2012		FDB497		
Woodsman500 EFI	500	2009	→ 2012		FDB497		
Woodsman500 EFI	500	2009	→ 2012		FDB497		

SACHS

ROADSTER 125	125	2000	→ 2003		FDB706		FSB733
XTC 125 SUPERSPORT	125	2000	→		FDB498		FDB828
ZX 125	125	2001	→		FDB677		FDB828
ROADSTER 650	650	2001	→		FDB498		FDB383
ROADSTER 800	800	2001	→	(x2)	FDB498		FSB784

SCORPA

SR 125 (2T)	125	2010	→ 2013		FDB2109		FDB2127
SR 125 Long Ride (2T)	125	2010	→ 2011		FDB2109		FDB2127
SY 125 (4T) Long Ride	125	2009	→ 2010		FDB2109		FDB2127
T-Ride 125 F (Enduro)	125	2010	→		FDB2242		FDB2128
TY 125 (4T)	125	2011	→ 2013		FDB2109		FDB2127
SY 200 F (4T) (163cc)	200	2008	→ 2008		FDB2109		FDB2127
SY 250 F (4T) Long Ride	250	2007	→ 2008		FDB2109		FDB2127
SY 250 FR (4T) Long Ride	250	2010	→ 2010		FDB2109		FDB2127
T-Ride 250 F (Enduro)	250	2008	→ 2011		FDB2242		FDB2128
SR 280 (2T)	280	2009	→		FDB2109		FDB2127

* It is recommended that in those applications where sintered pads are supplied as Original Equipment, replacement pads should also be of sintered composition.

** To avoid brake imbalance sintered pads fitted in rear calipers should only be used in combination with front calipers containing sintered pads.



CC FROM → TO



NOTES



NOTES

...SCORPA

SR 280 (2T) Long Ride	280	2009 → 2011	FDB2109	FDB2127
Raidster 660	660	2007 →	FDB2042	FDB2127

SHERCO

50 SE-R	50	2014 →	FDB313	FDB313
50 SM-R	50	2014 →	FDB313	FDB313
Enduro 50c (2T)/Urban/SU - Spoke wheel models)	50	2008 → 2013	FDB677	FDB2128
Enduro 50cc (2T)	50	2002 → 2007	FDB706	FDB2107
SM 0.5cc Black Panther	50	2008 → 2010	FDB677	FDB2128
SU 50 (2T) Urban Base - Cast wheel model)	50	2010 →	FDB384	FDB2128
Supermotard 50cc (2T)	50	2002 → 2007	FDB706	FDB2107
Supermotard 50cc (2T)	50	2008 → 2013	FDB677	FDB2128
ST80 (2T)	80	2013 → 2014	FDB2262	FDB2127
Trials 0.8 (2T)	80	2001 → 2004	FDB2107	FDB2127
Trials 0.8 (2T) AJP CALIPER	80	2005 → 2010	FDB2109	FDB2127
City Corp 125 (All models)	125	2003 → 2007	FDB706	FDB2107
City Corp 125 (All models)	125	2008 →	FDB677	FDB2128
SE 1.25 F Enduro (4T)	125	2010 → 2012	FDB677	FDB2128
SM 1.25 i F Black Panther (4T)	125	2010 → 2012	FDB677	FDB2128
ST125 (2T)	125	2013 → 2014	FDB2262	FDB2127
ST125 (2T) AJP CALIPER	125	2015 →	FDB2109	FDB2127
Trials 1.25cc (2T)	125	1999 → 2005	FDB2107	FDB2107
Trials 1.25cc (2T) AJP CALIPER	125	2006 → 2011	FDB2109	FDB2127
X-Ride125	125	2012 →	FDB313	FDB313
Trials 2.0cc (2T)	200	1999 → 2005	FDB2107	FDB2107
Enduro 2.5i (4T) Inc. SE Models	250	2008 → 2011	FDB2018	FDB2162
SE-R 250 (2T)	250	2012 →	FDB2018	FDB2165
SE250 i (2T/Brembo Rear Caliper)	250	2012 →	FDB2018	FDB2165
SEF 250 (4T)	250	2013 →	FDB2018	FDB2165
SEF-R 250 (4T)	250	2013 →	FDB2018	FDB2165
SM 2.5i Supermotard (4T)	250	2008 →	FDB2018	FDB2162
ST250 (2T)	250	2013 → 2014	FDB2262	FDB2127
ST250 (2T) AJP CALIPER	250	2015 →	FDB2109	FDB2127
SX 2.5i F Moto Cross	250	2010 →	FDB2018	FDB2162
Trials 2.5 (2T)	250	1999 → 2005	FDB2107	FDB2107
Trials 2.5 (2T) AJP CALIPER	250	2006 → 2011	FDB2109	FDB2127
ST290 (2T)	290	2013 → 2014	FDB2262	FDB2127
Trials 2.9 (2T)	290	1999 → 2005	FDB2107	FDB2107
Trials 2.9 (2T) AJP CALIPER	290	2006 → 2011	FDB2109	FDB2127
X-Ride 290	290	2012 →	FDB313	FDB313
Enduro SE 3.0i (4T)	300	2010 → 2011	FDB2018	FDB2162
SE-R 300 (2T)	300	2012 →	FDB2018	FDB2165
SE300 i (2T/Brembo Rear Caliper)	300	2012 →	FDB2018	FDB2165
SEF 300 (4T)	300	2013 →	FDB2018	FDB2165
SEF-R 300 (4T)	300	2013 →	FDB2018	FDB2165
ST300 (2T)	300	2013 → 2014	FDB2262	FDB2127
ST300 (2T) AJP CALIPER	300	2015 →	FDB2109	FDB2127
Trials 3.2cc (4T) AJP CALIPER	320	2005 → 2011	FDB2109	FDB2127
Enduro 4.5i (4T) Inc SE Models	450	2004 → 2011	FDB2018	FDB2162
SE 450 i R (Nissin Rear Caliper)	450	2012 → 2013	FDB2018	FDB2162
SEF-R 450	450	2015 →	FDB2018	FDB2165
SM 4.5i F (Black Panther)	450	2008 → 2012	FDB2120	FDB2162
SM 4.5i F (Supermotard)	450	2004 → 2010	FDB2018	FDB2162
Enduro 5.1iF Inc SE Models	510	2007 → 2011	FDB2018	FDB2162
SE 510 i R (Nissin Rear Caliper)	510	2012 → 2013	FDB2018	FDB2162
SM 5.1i F Black Panther	510	2008 → 2012	FDB2120	FDB2162
SM 5.1i F Supermotard	510	2007 →	FDB2018	FDB2162

SIMSON

SR 50 /1 GAMMA	50	1994 →	FRP405	
SR 50 GAMMA E	50	1994 →	FRP405	
SR 50 XC/XCE	50	→	FRP405	
SR 80 /1 GAMMA	80	1994 →	FRP405	
SR 80 XCE	80	→	FRP405	

* It is recommended that in those applications where sintered pads are supplied as Original Equipment, replacement pads should also be of sintered composition.

** To avoid brake imbalance sintered pads fitted in rear calipers should only be used in combination with front calipers containing sintered pads.



CC FROM → TO



NOTES



NOTES

SINNIS

Pioneer 125	125	2009 → 2010			FSB733
QM 125 GY Apache 125 (Rear drum model)	125	2009 → 2010	FDB497		FSB721
QM 125 GY-2B (A) Apache 125 (Rear disc model)	125	2009 → 2010	FDB497		FDB250
QM 125 GY-2B Blade 125	125	2009 → 2010	FDB497		FDB250
QM 125 GY-2D Trackstar 125 (4T)	125	2010 →	FDB384		FSB721
QM 125- 2 D Stealth 125 Left	125	2008 → 2010	FDB497		FDB531
QM 125- 2 D Stealth 125 Right	125	2008 → 2010	FDB2087		
QM 125-2 C Vista 125	125	2008 →	FDB384		FSB736
QM 125-2 V Max 125	125	2008 → 2010	FDB2003		FSB733
Grampus 250	250	2010 →	FDB2087		FDB2074

SUZUKI

adaptable to 130x28 front and rear drums		→	FSB787		FSB787
ADRESS 50	50	1990 → 1991	FSB792		FSB792
ADRESS 50	50	1992 → 1995	FDB313		FSB792
ADRESS 50 (SPAIN)	50	→	FSB777		FSB777
AH 50	50	1993 → 1995	FSB792		FSB792
AP 50	50	1971 → 1978	FSB722		FSB722
AP 50	50	1995 → 2002	FDB889		FSB722
AY 50 KATANA (Brembo caliper)	50	1997 →	FDB680		FSB777
AY 50 W KATANA	50	1998 →	FRP405		FSB777
AY 50 WR KATANA	50	1998 →	FRP405		FSB777
CARNA 50	50	1990 →	FSB727		FSB791
CL 50 D LOVE	50	1983 →	FSB727		FSB726
CL 50 D SUZY	50	1983 →	FSB727		FSB726
CP 50	50	1991 → 1993	FSB777		FSB777
CP 50 CHF	50	1985 →	FSB777		FSB777
CS 50 D	50	1983 → 1984	FSB726		FSB726
CS 50 Z ROADIE	50	1983 → 1984	FSB726		FSB726
DR 50 BIG	50	1989 →	FRP405		
F 50	50	1971 → 1973	FSB722		FSB722
F 50 SUZY	50	→	FSB727		FSB727
FR 50	50	1971 → 1981	FSB722		FSB722
FS 50 T - X SNIP	50	1981 → 1982	FSB727		FSB727
FZ 50 N - X SUZY	50	1980 → 1982	FSB720		FSB720
GT 50	50	1977 → 1980			FSB722
JR 50	50	1993 → 2003	FSB775		
LIDO 50	50	1989 → 1990	FSB777		FSB777
OR 50	50	1980 →	FDB314		FSB723
RG 50 GAG - GAMMA	50	1987 →	FDB338		FSB728
RM 50 C - N - T	50	1978 → 1980	FSB722		FSB722
RM 50 X - Z 50	50	1981 → 1982	FSB723		FSB723
RME 50 R	50	2010 →			FDB2139
RMX 50	50	2000 → 2001	FRP405		FRP405
S 50 K	50	1993 →	FSB728		FSB720
SEPIA 50	50	1992 → 1995	FDB313		FSB777
SEPIA AU 50 ZZ	50	1996 → 1998	FDB313		FSB792
SMX 50 SUPER MOTARD	50	2000 → 2003	FRP405		FRP405
TR 50 STREET MAGIC	50	1998 → 2000	FDB2133		FSB883
TS 50 D all models	50	1979 →	FSB722		FSB722
TS 50 XKE-XKG all models	50	1984 → 2000	FSB729		FSB723
TUNE 50	50	1993 → 1995	FDB313		FSB792
UF 50 ESTILETE	50	2000 → 2002	FRP405		FSB777
UX 50 ZILLION	50	1998 → 2002	FRP405		FSB777
ZR 50 KEN - KEX	50	1979 →			FSB722
ZR 50 SKX - SLKX	50	1981 → 1987	FDB314		FSB723
ZZ 50	50	1992 → 1995	FDB313		FSB777
RM 65	65	2003 →	FDB2110		FDB381
DR-Z 70	70	2008 →	FSB702		FSB702
FR 70	70	1974 →	FSB722		FSB722
LIDO 75	75	1989 →	FDB313		FSB777
3 E 80	80	→	FDB314		FSB722
AH 80	80	1992 → 1994	FDB313		FSB777
CP 80 CHF	80	1985 → 1993	FSB777		FSB777
CS 80 CD	80	1983 →	FSB720		FSB720
DS 80	80	1993 → 2000	FSB723		FSB723
FR 80 all models	80	1976 → 1983	FSB722		FSB722
GT 80 L	80	1981 →	FDB314		FSB722
RG 80 GAMMA	80	1988 → 1993	FDB437		FSB721
RG 80 GAMMA	80	2000 →	FDB314		FSB721
RM 80 L/M	80	1990 → 1994	FDB313		FDB313

* It is recommended that in those applications where sintered pads are supplied as Original Equipment, replacement pads should also be of sintered composition.

** To avoid brake imbalance sintered pads fitted in rear calipers should only be used in combination with front calipers containing sintered pads.



CC FROM → TO



NOTES



NOTES

...SUZUKI

RM 80 N - B - C	80	1977	→	1979	FSB722	FSB722
RM 80 X	80	1986	→	1989	FDB313	FSB764
RM 80 X - D - E	80	2000	→		FSB721	FSB723
RM 80 XD - XE - XF - XZ	80	1981	→	1985	FSB783	FSB764
RM 80 XT - XX	80	1980	→	1981	FSB723	FSB723
RM 80 XT- XV - X	80	1996	→	2001	FDB2133	FDB313
TS 80 X	80	1984	→		FSB729	FSB720
RM 85 L	85	2002	→	2004	FDB2133	FDB313
RM 85 L	85	2005	→		FDB2080	FDB2197
TS 90	90	1971	→	1973	FSB722	FSB721
A 100 all models	100	1974	→	1980	FSB722	FSB722
ADRESS 100 V	100	1992	→	1996	FDB313	FSB883
GP 100 C - DEN - N - X	100	1978	→	1987	FDB314	FSB722
GP 100 UD - UN - UX	100	1979	→	1992	FSB721	FSB722
RM 100 A - B - C	100	1976	→	1978	FSB722	FSB721
RM 100 N-T-X	100	1979	→	1981	FSB722	FSB728
TS 100 A - B - C	100	1975	→	1981	FSB721	FSB721
TS 100 ERN - ERT - ERX	100	1975	→	1981	FSB721	FSB721
TS 100 ERZ	100	1982	→	1987	FSB721	FSB723
TS 100 K - L - M	100	1973	→	1975	FSB722	FSB721
UG 110 HOKUTO	110	2000	→	2004	FDB2133	FSB883
ADRESS 125	125	2008	→		FDB2087	FSB724
AN 125	125	1995	→	2000	FDB2133	FSB777
CS 125 D	125	1983	→		FSB722	FSB722
DR 125 S	125	1986	→	1993	FDB250	FSB721
DR 125 SD - SZ	125	1982	→	1984	FSB721	FSB721
DR 125 SM	125	2008	→		FDB892	FDB2162
DR-Z 125	125	2003	→	2008	FSB721	FSB721
DR-Z 125	125	2003	→		FDB2133	FSB721
ER 125	125		→		FSB721	FSB721
GN 125	125	1983	→	1993	FDB384	FSB721
GN 125 R	125	1994	→	2001	FDB314	FSB721
GP 125 X - XD	125	1977	→	1984		FSB721
GS 125 D	125	1982	→	1984	FSB721	FSB721
GS 125 E - KATANA	125	1990	→	1994	FDB384	FSB721
GS 125 ESD	125	1983	→	1994	FDB384	FSB721
GS 125 ESR / ESX	125	1995	→	2000	FDB314	FSB721
GS 125 ESZ	125	1982	→		FDB314	FSB721
GS 125 Z	125	1982	→	1984	FSB721	FSB721
GT 125 N - EN	125	1974	→			FSB721
GZ 125 MARAUDER	125	1998	→	2011	FDB404	FSB721
LIDO 125 VARIO	125	1990	→	1993	FDB313	FSB777
RG 125 E	125	1982	→	1984	FDB314	FSB721
RG 125 T - FV	125	1992	→	1996	FDB574	FDB607
RG 125 U WOLF	125	1992	→	1994	FDB481	FDB607
RG 125 W GAMMA	125	1985	→	1991	FDB437	FSB721
RM 125	125	2009	→		FDB892	FDB2162
RM 125 A - B - C - M	125	1975	→	1978	FSB721	FSB721
RM 125 D - X - Z	125	1981	→	1983	FSB721	FSB786
RM 125 E	125	1984	→	1984	FSB778	FSB786
RM 125 E	125	2009	→		FDB892	FDB2162
RM 125 F - G	125	1985	→	1986	FDB404	FSB786
RM 125 H	125	1987	→		FDB497	FSB786
RM 125 J	125	1988	→		FDB497	FDB661
RM 125 K - L - M	125	1989	→	1995	FDB497	FDB659
RM 125 N	125	1979	→	1980	FSB721	FSB729
RM 125 N - T	125	1979	→	1980	FSB721	FSB728
RM 125 T- U - V	125	1996	→	1998	FDB892	FDB539
RM 125 X - Y - K1	125	1999	→	2008	FDB892	FDB539
RM 125 X - Z	125	1981	→	1983	FSB721	FSB786
RV 125 A - L - M	125	1974	→	1976	FSB721	FSB721
RV 125 K	125	1973	→		FSB722	FSB721
RV 125 K2/ K3 / K4 VAN VAN	125	2002	→		FDB2049	FSB722
SM 125	125	2010	→		FDB892	FDB2162
T 125 STINGER	125	1970	→	1971	FSB721	FSB721
TS 125	125	1990	→	1996	FDB497	FDB250
TS 125 A - B - C - C2	125	1973	→	1981	FSB721	FSB721
TS 125 ERN - ERT - ERX	125	1973	→	1981	FSB721	FSB721
TS 125 ERZ - FFS	125	1982	→	1983	FSB721	FSB723
TS 125 K	125	1972	→	1972	FSB722	FSB721
TS 125 L	125	1973	→	1981	FSB721	FSB721
TS 125 L - LC - XE	125	1984	→	1987	FSB721	FSB729

* It is recommended that in those applications where sintered pads are supplied as Original Equipment, replacement pads should also be of sintered composition.

** To avoid brake imbalance sintered pads fitted in rear calipers should only be used in combination with front calipers containing sintered pads.

1070



CC

FROM → TO



NOTES



NOTES

...SUZUKI

TS 125 M - N	125	1973 → 1984	FSB721	FSB721
TS 125 RK	125	1989 →	FDB250	FDB659
TS 125 X	125	1988 →	FDB250	FSB728
TX 125 XF	125	1985 →	FDB250	FSB729
UE - 125 EPICURO	125	1998 → 2000	FDB2133	FSB957
UE - 125 EPICURO	125	2001 → 2002	FDB2133	FDB2133
UH 125 BURGMAN	125	2007 → 2013	FDB2196	FDB2148
VAN VAN 125 (RV)	125	2010 →	FDB2049	FSB722
VL 125 INTRUDER	125	2000 →	FDB404	FSB721
X4 125	125	→	FDB314	FSB721
AN 150	150	1997 → 2000	FDB404	FSB777
UC 150 EPICURO	150	1998 → 2000	FDB2133	FSB957
UC 150 EPICURO	150	2001 → 2002	FDB2133	FDB2133
PE 175 C - CE2 - N	175	1978 → 1979	FSB721	FSB721
PE 175 T - X	175	1980 → 1981	FSB721	FSB775
PE 175 Z	175	1982 →	FSB776	FSB775
GT 185 A - B - C	185	1974 → 1979		FSB721
GT 185 EC - L - M	185	1974 → 1979		FSB721
TS 185 B - C	185	1974 → 1981	FSB721	FSB721
TS 185 ERN - ERT - ERX	185	1974 → 1981	FSB721	FSB721
TS 185 K	185	1973 → 1973	FSB722	FSB721
TS 185 L - M	185	1974 → 1981	FSB721	FSB721
DR 200	200	2000 →	FDB250	
DR 200 K	200	1989 → 1998	FDB250	FSB721
GT 200 EN - EX	200	1979 → 1982	FDB178	FSB721
GT 200 X 5	200	1979 → 1982	FDB178	FSB721
RG 200 GAMMA	200	1993 → 1994	FDB574	FDB607
RG 200 WOLF	200	1993 → 1994	FDB481	FDB607
SB 200 N - X	200	1979 → 1981	FSB724	FSB721
TS 200 R	200	1990 → 1994	FDB497	FDB659
UH 200 BURGMAN	200	2007 → 2013	FDB2196	FDB2148
TS 240 X	240	1988 → 1990	FDB661	FSB728
250 BANDIT	250	1990 →	FDB481	FDB338
ACROSS 250	250	1990 →	FDB481	FDB338
AN 250 8 Skywave SS Left	250	2008 →	FDB497	FDB2173
AN 250 8 Skywave SS Right	250	2008 →	FDB631	
AN 250 BURGMAN K1/K2	250	2001 → 2002	FDB2085	FDB2132
AN 250 BURGMAN W/X/Y	250	1996 → 2002	FDB2085	FDB2086
AN 250 K3-K6 BURGMAN (CJ43A)	250	2003 → 2006	FDB2085	FDB2132
AN 250 Skywave Type M (BA-CJ45A) Left	250	2007 → 2008	FDB497	FDB2173
AN 250 Skywave Type M (BA-CJ45A) Right	250	2007 → 2008	FDB631	
AN 250 Skywave Type S (BA-CJ44A) Left	250	2007 → 2008	FDB497	FDB2173
AN 250 Skywave Type S (BA-CJ44A) Right	250	2007 → 2008	FDB631	
COBRA 250	250	1989 →	FDB574	FDB338
COBRA 250	250	1990 →	FDB574	FDB338
DJEBEL 250	250	1993 →	FDB497	FDB659
DR 250	250	1981 → 1982	FSB721	FSB721
DR 250 S	250	1983 → 1984	FSB785	FSB721
DR 250 S	250	1985 →	FDB673	FSB721
DR 250 S	250	1986 → 1989	FDB250	FSB721
DR 250 S	250	1990 → 2000	FDB497	FDB659
GF 250 S	250	1986 → (x2)	FDB390	FDB338
GN 250	250	1993 → 1997	FDB218	FSB721
GN 250 F / J	250	1983 → 1997	FDB218	FSB725
GNX 250 E	250	1983 →	FDB218	FSB725
GOOSE 250	250	1992 →	FDB574	FDB338
GS 250 E	250	1979 → 1981	FDB218	FSB725
GS 250 FW	250	1984 →	FDB338	FDB338
GS 250 T - TT - TX	250	1979 → 1981	FDB218	FSB725
GSF 250 BANDIT	250	1990 → (x2)	FDB481	FDB338
GSX 250 E - ET - EX - EZ - T	250	1979 →	FDB218	FSB725
GSX 250 S	250	1985 → 1990	FDB218	FSB725
GSX 250 S KATANA	250	1991 → (x2)	FDB481	FDB338
GSX-R 250	250	1987 → 1988 (x2)	FDB389	FDB338
GSX-R 250 R - R/SP	250	1989 → (x2)	FDB574	FDB338
GT 250 A - B - C	250	1973 → 1978		FSB773
GT 250 EN - ET - EX	250	1978 →	FDB178	FSB725
GT 250 K - L - M	250	1973 → 1978		FSB773
GT 250 X7	250	1978 →	FDB178	FSB725
GZ 250 MARAUDER	250	2000 →	FDB404	FSB721
Inazuma 250	250	2013 →	FDB570	FDB2258
Inazuma 250F	250	2015 →	FDB570	FDB2258

* It is recommended that in those applications where sintered pads are supplied as Original Equipment, replacement pads should also be of sintered composition.

** To avoid brake imbalance sintered pads fitted in rear calipers should only be used in combination with front calipers containing sintered pads.



CC

FROM → TO



NOTES



NOTES

...SUZUKI

Inazuma 250Z	250	2015	→	FDB570	FDB2258
PE 250 B - C	250	1977	→ 1978	FSB724	FSB724
PE 250 N	250	1979	→ 1979	FSB722	FSB722
PE 250 T	250	1980	→ 1980	FSB724	FSB724
PE 250 X - Z	250	1981	→ 1982	FSB722	FSB724
RG 250 W GAMMA	250	1984	→ 1987	FDB390	FDB338
RG 250 W GAMMA	250	2000	→ (x2)	FDB338	FDB338
RGV 250	250	1993	→ (x2)	FDB574	FDB607
RGV 250	250	1994	→ 1996 (x2)	FDB574	FDB508
RGV 250 R	250	1988	→ (x2)	FDB557	FDB338
RGV 250 R	250	1989	→ (x2)	FDB574	FDB338
RGV 250 R	250	1990	→ 1992 (x2)	FDB574	FDB508
RH 250 X	250	1987	→	FDB250	
RM 250	250	1991	→ 1992	FDB497	FDB659
RM 250	250	2000	→ 2008	FDB892	FDB539
RM 250	250	2009	→	FDB892	FDB2162
RM 250 A - B - C	250	1976	→ 1978	FSB721	FSB724
RM 250 D	250	1983	→	FSB778	FSB786
RM 250 E	250	1984	→	FSB778	FSB776
RM 250 F - IG - G	250	1985	→ 1986	FDB404	FSB776
RM 250 H	250	1987	→ 1988	FDB497	FDB661
RM 250 K - L - M	250	1989	→ 1994	FDB497	FDB659
RM 250 N	250	1979	→	FSB724	FSB785
RM 250 R-S	250	1993	→ 1995	FDB497	FDB659
RM 250 T	250	1980	→	FSB776	FSB785
RM 250 T/V	250	1996	→ 1999	FDB892	FDB539
RM 250 XZ	250	1981	→ 1982	FSB779	FSB786
RM-Z 250	250	2004	→ 2008	FDB892	FDB2162
RM-Z 250 / E	250	2009	→	FDB892	FDB2162
RMX 250	250	2000	→ 2002	FDB892	FDB659
RMX 250 RP	250	1989	→ 1995	FDB497	FDB659
RMX 250 T/V	250	1996	→ 1998	FDB892	FDB659
SKY WAVE 250 (type II)	250	1998	→	FDB2085	FDB2086
SW1 250	250	1992	→	FDB481	
TS 250 all models	250	1974	→ 1982	FSB724	FSB724
TS 250 X all models 250	250	1986	→ 1989	FDB250	FSB724
TU 250 X	250	1997	→ 2000	FDB404	FSB721
VL 250 INTRUDER	250	2000	→ 2001	FDB404	FSB721
VOLTY 250	250	1995	→ 2000	FDB404	
WOLF 250	250	1990	→	FDB529	FDB338
DR 350	350	1990	→	FDB497	FDB659
DR 350 S-SH-SE	350	1993	→ 1997	FDB497	FDB659
GOOSE 350	350	1992	→	FDB574	FDB338
SP 370 C - N	370	1977	→	FSB724	FSB724
GT 380 J	380		→ 1972		FSB773
GT 380 K/L/M/A/B	380	1973	→ 1977		FSB773
AN 400 BURGMAN	400	1999	→ 2000	FDB2085	FDB2086
AN 400 BURGMAN	400	2001	→ 2006	FDB2085	FDB2132
AN 400 BURGMAN/SKYWAVE ABS (left)	400	2007	→	FDB497	
AN 400 BURGMAN/SKYWAVE ABS (right)	400	2007	→	FDB631	FDB2173
AN 400 BURGMAN/SKYWAVE NO ABS (left)	400	2007	→	FDB497	
AN 400 BURGMAN/SKYWAVE NO ABS (right)	400	2007	→	FDB631	FDB2173
DR 400 ST - SX	400	1979	→ 1981	FSB724	FSB724
DR-Z 400 S - E - SM	400	2000	→	FDB892	FDB539
GN 400 TT	400	1980	→	FDB218	FSB725
GS 400 B - C	400	1977	→ 1978	FDB150	FSB773
GSF 400 BANDIT	400	1991	→ 1992 (x2)	FDB481	FDB338
GSF 400 BANDIT	400	1993	→ 1994 (x2)	FDB574	FDB338
GSF 400 BANDIT	400	1995	→ 1997 (x2)	FDB570	FDB338
GSF 400 S KATANA	400	1989	→ 1990	FDB574	FDB338
GSX 400 ET - EX - EZ	400	1980	→ 1983	FDB218	FSB725
GSX 400 F (FOUR) FZ	400	1981	→ 1983	FDB314	
GSX 400 FD	400	1981	→ 1983	FDB314	
GSX 400 FWS - D - E	400	1983	→ (x2)	FDB338	FDB338
GSX 400 IMPULSE	400	1994	→ 1996 (x2)	FDB570	FDB338
GSX 400 KATANA	400	1989	→ 1992 (x2)	FDB574	FDB338
GSX 400 L	400	1980	→ 1983	FDB218	FSB725
GSX 400 R I/II	400	1985	→ 1986 (x2)	FDB390	FDB338
GSX 400 S	400	1983	→ (x2)	FDB338	FDB338
GSX 400 TWIN	400	1980	→ 1983	FDB218	FSB725
GSX 400 TX - LX	400	1981	→ 1983	FDB218	FSB773
GSX 400 X IMPULSE 400	400	1986	→ 1988 (x2)	FDB389	FDB338

* It is recommended that in those applications where sintered pads are supplied as Original Equipment, replacement pads should also be of sintered composition.

** To avoid brake imbalance sintered pads fitted in rear calipers should only be used in combination with front calipers containing sintered pads.



CC

FROM → TO



NOTES



NOTES

...SUZUKI

GSX-R 400	400	1990 →		FDB605	FDB338
GSX-R 400 (III-IV)	400	2000 →	(x2)	FDB389	FDB338
GSX-R 400 (V)	400	1989 → 1990		FDB574	FDB338
GSX-R 400 (JAPAN)	400	1985 →	(x2)	FDB338	FDB390
GSX-R 400 R	400	1990 → 1995	(x2)	FDB557	FDB338
LS 400 SAVAGE	400	1987 →		FSB724	FSB724
PE 400 T	400	1979 → 1981		FSB722	FSB724
PE 400 X	400	1979 → 1981		FSB722	FSB724
RF 400 RVC	400	1993 →		FDB570	FDB338
RG 400 GAMMA	400	1985 →	(x2)	FDB389	FDB338
RM 400 C	400	1978 → 1978		FSB721	FSB724
RM 400 N	400	1979 → 1979		FSB724	FSB785
RM 400 T	400	1980 →		FSB776	FSB785
SP 400	400	1979 →		FSB724	FSB724
ST 400	400	1979 →		FSB724	FSB724
SX 400	400	1979 →		FSB724	FSB724
GS 425 EN	425	1978 → 1980		FDB150	FSB725
GS 450 ET - L - T	450	1980 → 1980		FDB218	FSB725
GS 450 S	450	1987 →	(x2)	FDB314	FDB338
RM-Z 450	450	2005 → 2007		FDB892	FDB2162
RM-Z 450 / E	450	2008 →		FDB892	FDB2162
RMX 450 E	450	2009 →		FDB892	FDB2162
SM 450X	450	2009 →		FDB892	FDB2162
RM 465 X - Z	465	1981 → 1982		FSB779	FSB776
DR 500 S	500	1989 →		FDB673	FSB721
DR 500 SD - SE	500	1983 →		FSB724	FSB724
GS 500 E - K - FK	500	1996 →		FDB2049	FDB338
GS 500 E - K - L - M	500	1989 → 1993		FDB481	FDB338
GS 500 EK - EL	500	1981 → 1988	(x2)	FDB178	
GT 500 A - B	500	1976 → 1978			FSB773
RE 500 5 A - M	500	1975 → 1977		FDB178	FSB782
RG 500 RF GAMMA	500	1985 → 1987	(x2)	FDB389	FDB338
RGV 500 GAMMA	500	1990 →	(x2)	FDB574	FDB508
RM 500	500	1987 →		FDB497	FDB661
RM 500 D - E	500	1983 → 1984		FSB778	FSB721
RM 500 F	500	1985 → 1986		FDB404	FSB721
T 500 all models	500	1968 → 1975		FSB950	FSB773
GS 550 B - C - D	550	1977 → 1978	(x2)	FDB178	FSB780
GS 550 EC - EN	550	1978 → 1979	(x2)	FDB178	
GS 550 ET - EX - EZ	550	1980 → 1984	(x2)	FDB217	
GS 550 LT - LX	550	1980 → 1984	(x2)	FDB217	
GS 550 MEX	550	1981 → 1983	(x2)	FDB217	
GS 550 MEZ KATANA	550	1981 → 1983	(x2)	FDB217	
GSX 550 EF - EFE	550	1983 → 1987	(x2)	FDB338	FDB338
GSX 550 ES - ESE	550	1983 → 1987	(x2)	FDB338	FDB338
GSX 550 ESD - ES4	550	1983 → 1987	(x2)	FDB338	FDB338
GSX 550 ET - EV	550	1987 →	(x2)	FDB338	FDB338
GT 550 A - B	550	1976 → 1977			FSB780
GT 550 J	550	→ 1972			FSB773
GT 550 J	550	1972 → 1972		FSB950	FSB773
GT 550 K - L - M	550	1973 → 1975			FSB773
DR 600 DJEBEL - DAKAR	600	1989 →		FDB673	FDB607
DR 600 R DAKAR-DJEBEL	600	1987 → 1988		FDB673	FSB721
DR 600 S	600	1989 →		FDB673	FSB721
DR 600 S - SU	600	1985 → 1986		FDB673	FSB721
GSF 600 BANDIT	600	1995 → 1999	(x2)	FDB570	FDB338
GSF 600 BANDIT (left)	600	2000 →	(x2)	FDB2048	FDB338
GSF 600 BANDIT (right)	600	2000 →	(x2)	FDB2049	
GSF 600 BANDIT - KATANA (left)	600	1998 →	(x2)	FDB2048	FDB338
GSF 600 BANDIT - KATANA (right)	600	1998 →	(x2)	FDB2049	
GSR 600 /A / ABS	600	2006 → 2008	(x2)	FDB574	FDB2213
GSX 600 F KATANA	600	1988 → 1993	(x2)	FDB569	FDB338
GSX-R 600	600	2004 → 2005	(x2)	FDB2178	FDB2111
GSX-R 600	600	2006 → 2010	(x2)	FDB2178	FDB2213
GSX-R 600 (Racing version pad)	600	2011 →	(x2)	FDB2218	FDB2221
GSX-R 600 (Road version pad)	600	2011 →	(x2)	FDB2260	FDB2221
GSX-R 600 - Racing Applications	600	2004 → 2005	(x2)	FDB2204	FDB2111
GSX-R 600 - Racing Applications	600	2006 →	(x2)	FDB2204	FDB2213
GSX-R 600 F	600	1994 → 1995	(x2)	FDB570	FDB338
GSX-R 600 V	600	1996 → 2003	(x2)	FDB574	FDB338
RF 600 RR	600	1993 → 1997	(x2)	FDB570	FDB338
SP 600	600	1985 →		FDB673	FSB721

* It is recommended that in those applications where sintered pads are supplied as Original Equipment, replacement pads should also be of sintered composition.

** To avoid brake imbalance sintered pads fitted in rear calipers should only be used in combination with front calipers containing sintered pads.



CC

FROM → TO



NOTES



NOTES

...SUZUKI

VS 600 GL INTRUDER	600	1997 → 1999		FDB389		FSB784
AN 650 BURGMAN Executive/Skywave ABS	650	2004 → (x2)		FDB570		FDB2173
AN 650 BURGMAN Std/Skywave No ABS	650	2003 → (x2)		FDB570		FDB2173
DL V-STROM 650 A XT ABS -Left	650	2015 →		FDB2048		
DL V-STROM 650 A XT ABS -Right	650	2015 →		FDB2049		FDB754
DL V-STROM 650 AK ABS -Left	650	2007 → 2011		FDB2048		
DL V-STROM 650 AK ABS -Right	650	2007 → 2011		FDB2049		FDB754
DL V-STROM 650 AL ABS -Left	650	2012 →		FDB2048		
DL V-STROM 650 AL ABS -Right	650	2012 →		FDB2049		FDB754
DL V-STROM 650 XK NO ABS -Left	650	2007 → 2011		FDB2048		
DL V-STROM 650 XK NO ABS -Right	650	2007 → 2011		FDB2049		FDB754
DL V-STROM 650AK GT Traveller ABS -Left	650	2007 → 2011		FDB2048		
DL V-STROM 650AK GT Traveller ABS -Right	650	2007 → 2011		FDB2049		FDB754
DL V-STROM 650AL XP Xpedition ABS -Left	650	2011 → 2011		FDB2048		
DL V-STROM 650AL XP Xpedition ABS -Right	650	2011 → 2011		FDB2049		FDB754
DR 650 R-RS-RSE-DJEBEL-DAKAR	650	1991 → 1995		FDB606		FDB607
DR 650 RS-R DAKAR	650	1990 →		FDB673		FDB607
DR 650 SE	650	1996 →		FDB892		FDB539
GR 650 - X	650	1983 →		FDB217		FSB725
GS 650 GTX - GTZ - GX	650	1981 → 1983 (x2)		FDB217		
GS 650 GZ KATANA	650	1981 → 1983 (x2)		FDB217		
GS 650 TURBO	650	1983 → (x2)		FDB217		
GS 650 XN - 85 TURBO	650	1983 → (x2)		FDB217		
GSF 650 (Naked Bandid -Non ABS) left	650	2005 → 2006		FDB2049		
GSF 650 (Naked Bandid -Non ABS) right	650	2005 → 2006		FDB2048		FDB2111
GSF 650 (Naked Bandid Non ABS)	650	2007 → 2011 (x2)		FDB574		FDB754
GSF 650 A (Naked Bandid -ABS) left	650	2005 → 2006		FDB2049		
GSF 650 A (Naked Bandid -ABS) right	650	2005 → 2006		FDB2048		FDB754
GSF 650 A (Naked Bandid ABS)	650	2007 → 2011 (x2)		FDB574		FDB754
GSF 650 S (Faired Bandid -Non ABS) left	650	2005 → 2006		FDB2049		
GSF 650 S (Faired Bandid -Non ABS) right	650	2005 → 2006		FDB2048		FDB2111
GSF 650 S (Faired Bandid Non ABS)	650	2007 → 2011 (x2)		FDB574		FDB754
GSF 650 SA (Faired Bandid -ABS) left	650	2005 → 2006		FDB2049		
GSF 650 SA (Faired Bandid -ABS) right	650	2005 → 2006		FDB2048		FDB754
GSF 650 SA (Faired Bandid ABS)	650	2007 → (x2)		FDB574		FDB754
GSX 650F (ABS)	650	2008 → (x2)		FDB574		FDB754
GSX 650F (NO ABS)	650	2008 → 2011 (x2)		FDB574		FDB754
LS 650 P	650	1993 →		FDB673		FSB725
LS 650 SAVAGE	650	1987 → 1999		FDB404		FSB725
SV 650 (Naked - Non ABS) - left	650	1999 → 2002		FDB2048		FDB338
SV 650 (Naked - Non ABS) - left	650	2003 → 2010		FDB2048		FDB754
SV 650 (Naked - Non ABS) - right	650	1999 → 2002		FDB2049		
SV 650 (Naked - Non ABS) - right	650	2003 → 2010		FDB2049		
SV 650 A (Naked - ABS) - left	650	2007 → 2010		FDB2048		FDB754
SV 650 A (Naked - ABS) - right	650	2007 → 2010		FDB2049		
SV 650 S (Top Fairing - Non ABS) - left	650	1999 → 2002		FDB2048		FDB338
SV 650 S (Top Fairing - Non ABS) - left	650	2003 → 2012		FDB2048		FDB754
SV 650 S (Top Fairing - Non ABS) - right	650	2003 → 2012		FDB2049		
SV 650 S (Top Fairing - Non ABS) -right	650	1999 → 2002		FDB2049		
SV 650 SA (Top Fairing - ABS) - left	650	2007 → 2013		FDB2048		FDB754
SV 650 SA (Top Fairing - ABS) - right	650	2007 → 2013		FDB2049		
SVF GLADIUS 650 (Left) NO ABS	650	2009 →		FDB2048		
SVF GLADIUS 650 (Right) NO ABS	650	2009 →		FDB2049		FDB2258
SVF GLADIUS 650 ABS (Left)	650	2009 →		FDB2048		
SVF GLADIUS 650 ABS (Right)	650	2009 →		FDB2049		FDB2258
XF 650 FREEWIND	650	1997 → 2002		FDB2049		FDB754
GS 700 E - ES	700	1985 → (x2)		FDB218		
GV 700 GL	700	1985 → (x2)		FDB218		FSB782
GV 700 GL MADURA	700	1984 → (x2)		FDB218		FSB784
VS 700 GL INTRUDER	700	1985 →		FDB389		FSB784
DR 750 S BIG	750	1988 →		FDB606		FSB790
DR 750 S BIG	750	1989 →		FDB606		FDB607
GS 750 B	750	1976 → 1976		FDB150		
GS 750 DB	750	1977 → 1980 (x2)		FDB150		
GS 750 DL	750	1977 → 1980 (x2)		FDB150		
GS 750 EC	750	1977 → 1980 (x2)		FDB150		
GS 750 EN	750	1977 → 1980 (x2)		FDB150		
GSR 750 ABS&NO ABS (Left)	750	2011 →		FDB2048		FDB754
GSR 750 ABS&NO ABS (Right)	750	2011 →		FDB2049		
GSX 750 EF	750	1987 → (x2)		FDB389		FDB338
GSX 750 EFE - ESD - ESG - ESE - SEH - EFF	750	1980 → 1986 (x2)		FDB218		
GSX 750 ET - EX	750	1980 → 1981 (x2)		FDB218		

* It is recommended that in those applications where sintered pads are supplied as Original Equipment, replacement pads should also be of sintered composition.

** To avoid brake imbalance sintered pads fitted in rear calipers should only be used in combination with front calipers containing sintered pads.



CC

FROM → TO



NOTES



NOTES

...SUZUKI

GSX 750 FK/FL/FM/FN/FP/FR/FS/FT/FV	750	1989 → 1997	(x2)	FDB569	FDB338
GSX 750 FW/FX/FY/FK1/FK2 (left)	750	1998 → 2006		FDB2048	FDB338
GSX 750 FW/FX/FY/FK1/FK2 (right)	750	1998 → 2006		FDB2049	
GSX 750 LIMITED EDITION	750	1986 →	(x2)	FDB389	FDB338
GSX 750 S KATANA	750	1980 →	(x2)	FDB218	
GSX 750 W/X/Y/K1 (left)	750	1998 →		FDB2048	FDB338
GSX 750 W/X/Y/K1 (right)	750	1998 →		FDB2049	
GSX-R 750	750	1988 → 1993	(x2)	FDB557	FDB338
GSX-R 750	750	2004 → 2005	(x2)	FDB2178	FDB2111
GSX-R 750	750	2006 → 2010	(x2)	FDB2178	FDB2213
GSX-R 750 (Racing version pad)	750	2011 →	(x2)	FDB2218	FDB2221
GSX-R 750 (Road version pad)	750	2011 →	(x2)	FDB2260	FDB2221
GSX-R 750 - Racing Applications	750	2004 → 2005	(x2)	FDB2204	FDB2111
GSX-R 750 - Racing Applications	750	2006 →	(x2)	FDB2204	FDB2213
GSX-R 750 LTD Special Edition	750	1987 → 1988	(x2)	FDB389	FDB338
GSX-R 750 W	750	1994 → 1999	(x2)	FDB873	FDB338
GSX-R 750 W (Racing Applications)	750	1994 → 1999	(x2)	FDB2144	FDB338
GSX-R 750 Y	750	2000 → 2003	(x2)	FDB574	FDB338
GT 750 A - B - K - L - M	750	1973 → 1977			FSB782
GT 750 RF	750	1985 → 1986	(x2)	FDB389	FDB338
VS 750 INTRUDER (All Models)	750	1985 → 1991		FDB389	FSB784
DR 800 BIG all models	800	1991 →		FDB481	FDB631
DR 800 BIG S - SU	800	1990 →		FDB606	FDB607
DR 800 Z	800	1988 → 1989		FDB606	FDB661
INTRUDER C800 - spoke wheel (VL 800)	800	2006 → 2013		FDB2049	FSB784
INTRUDER C800B - cast wheel (VL 800)	800	2014 →		FDB2049	FSB784
INTRUDER C800C - cast wheel (VL 800)	800	2007 → 2013		FDB2049	FSB784
INTRUDER M800 (VZ800)	800	2005 → 2013		FDB2049	FSB784
INTRUDER M800 /T (VZ800)	800	2014 →		FDB2049	FSB784
INTRUDER M800 Z (VZ800)	800	2009 → 2010		FDB2049	FSB784
VL 800 INTRUDER VOLUSIA	800	2001 → 2005		FDB2049	FSB784
VS 800 GL INTRUDER (VS25B)	800	1992 → 1999		FDB389	FSB784
VS 800 S INTRUDER	800	1991 → 1992		FDB673	FSB784
VX 800	800	1990 → 1994		FDB481	FDB569
VX 800	800	1995 →		FDB2048	FDB569
VZ 800 MARAUDER / K7	800	1997 → 2003		FDB2049	FSB784
GS 850 GN - GT - GX	850	1979 → 1981	(x2)	FDB178	FDB151
GS 850 GZ - GE - GG	850	1982 → 1985	(x2)	FDB218	FDB151
RF 900 RR	900	1994 → 1995	(x2)	FDB557	FDB2058
RF 900 RT - RV	900	1996 → 1999	(x2)	FDB557	FDB338
DL V-STROM 1000 ABS	1000	2014 →	(x2)	FDB2178	FDB2213
DL V-STROM 1000 NO Abs -left	1000	2002 → 2010		FDB2048	FDB754
DL V-STROM 1000 NO Abs -right	1000	2002 → 2010		FDB2049	
GS 1000 EC - EN - HC - SN	1000	1978 → 1979	(x2)	FDB178	FDB151
GS 1000 ET	1000	1980 → 1981	(x2)	FDB217	FDB151
GS 1000 GT - GX	1000	1980 →	(x2)	FDB218	
GSX 1000 S KATANA	1000	1982 →	(x2)	FDB217	FDB151
GSX-R 1000	1000	2001 → 2002	(x2)	FDB873	FDB2111
GSX-R 1000	1000	2007 → 2008	(x2)	FDB2178	FDB2213
GSX-R 1000	1000	2009 → 2011	(x2)	FDB2178	FDB2221
GSX-R 1000 (Racing Applications)	1000	2001 → 2002	(x2)	FDB2144	FDB2111
GSX-R 1000 - Racing Applications	1000	2004 → 2008	(x2)	FDB2204	FDB2111
GSX-R 1000 - Racing Applications	1000	2009 →	(x2)	FDB2204	FDB2221
GSX-R 1000 ABS (Racing version pad)	1000	2015 →	(x2)	FDB2218	FDB2221
GSX-R 1000 ABS (Road version pad)	1000	2015 →	(x2)	FDB2260	FDB2221
GSX-R 1000 Alstare 25 Ann.	1000	2010 →	(x2)	FDB2178	FDB2221
GSX-R 1000 K3	1000	2003 →	(x2)	FDB2164	FDB2111
GSX-R 1000 K3 - Racing Applications	1000	2003 →	(x2)	FDB2203	FDB2111
GSX-R 1000 No ABS (Racing version pad)	1000	2012 →	(x2)	FDB2218	FDB2221
GSX-R 1000 No ABS (Road version pad)	1000	2012 →	(x2)	FDB2260	FDB2221
GSX-R 1000 Yoshimura 2008	1000	2010 →	(x2)	FDB2178	FDB2213
GSX-S 1000 ABS (Racing version pad)	1000	2015 →	(x2)	FDB2218	FDB2221
GSX-S 1000 ABS (Road version pad)	1000	2015 →	(x2)	FDB2260	FDB2221
GSX-S 1000 F ABS (Racing version pad)	1000	2015 →	(x2)	FDB2218	FDB2221
GSX-S 1000 F ABS (Road version pad)	1000	2015 →	(x2)	FDB2260	FDB2221
SV 1000 K3/SK3	1000	2003 →	(x2)	FDB574	FDB754
TL 1000 R	1000	1998 → 2002	(x2)	FDB873	FDB338
TL 1000 SV TWIN	1000	1997 → 2001	(x2)	FDB574	FDB338
GS 1100 GZ	1100	1982 →	(x2)	FDB218	
GSX 1100 E - EF - ES	1100	1980 → 1982	(x2)	FDB217	
GSX 1100 E - EF - ES	1100	1984 → 1986	(x2)	FDB389	FDB389
GSX 1100 FK - L - M - N - R	1100	1988 → 1993	(x2)	FDB569	FDB569

* It is recommended that in those applications where sintered pads are supplied as Original Equipment, replacement pads should also be of sintered composition.

** To avoid brake imbalance sintered pads fitted in rear calipers should only be used in combination with front calipers containing sintered pads.



CC

FROM → TO



NOTES



NOTES

...SUZUKI

GSX 1100 G	1100	1980 → 1982	(x2) FDB217		
GSX 1100 G	1100	1993 → 1996	(x2) FDB481		FDB508
GSX 1100 GM	1100	1991 → 1992	(x2) FDB481		FDB338
GSX 1100 S KATANA	1100	1982 → 1983	(x2) FDB217		
GSX-R 1100	1100	1985 → 1988	(x2) FDB389		FDB338
GSX-R 1100 K - L - M - N	1100	1989 → 1992	(x2) FDB557		FDB338
GSX-R 1100 W	1100	1993 → 1996	(x2) FDB873		FDB338
GSX-R 1100 W (Racing Applications)	1100	1991 → 1996	(x2) FDB2144		FDB338
GSF 1200 K1/SK1 BANDIT	1200	2001 →	(x2) FDB873		FDB338
GSF 1200 T-ST-V-SV- BANDIT	1200	1995 → 2000	(x2) FDB557		FDB338
GSX 1200	1200	1999 → 2000	(x2) FDB2042		FDB338
GV 1200 GL MADURA	1200	1985 → 1986	(x2) FDB218		FDB151
GSF 1250 (Naked Bandit - Non ABS)	1250	2007 → 2011	(x2) FDB574		FDB754
GSF 1250 A (Naked Bandit - ABS)	1250	2007 → 2010	(x2) FDB574		FDB754
GSF 1250 S (Faired Bandit - Non ABS)	1250	2007 → 2010	(x2) FDB574		FDB754
GSF 1250 SA (Faired Bandit - ABS)	1250	2007 → 2012	(x2) FDB574		FDB754
GSF 1250 SA (Faired Bandit - ABS)	1250	2015 →	(x2) FDB574		FDB754
GSX 1250 FA	1250	2010 →	(x2) FDB574		FDB754
GSX 1250 FA ST (Sport Touring)	1250	2010 →	(x2) FDB574		FDB754
GSX 1300 B-KING / Hyaku	1300	2007 →	(x2) FDB2158		FDB2213
GSX-R 1300	1300	2008 →	(x2) FDB2178		FDB2213
GSX-R 1300 HAYABUSA (Racing Applications)	1300	1999 → 2007	(x2) FDB2144		FDB338
GSX-R 1300 HAYABUSA (Tokico Front std caliper)	1300	2008 → 2012	(x2) FDB2178		FDB2213
GSX-R 1300 HAYABUSA ABS (Brembo Caliper- Racing pad)	1300	2013 →	(x2) FDB2218		FDB2213
GSX-R 1300 HAYABUSA ABS (Brembo Caliper-Road pad)	1300	2013 →	(x2) FDB2260		FDB2213
B-KING	1340	2010 →	(x2) FDB2158		FDB2213
GSX 1400	1400	2002 →	(x2) FDB873		FDB2111
GV 1400	1400	1985 → 1986	(x2) FDB389		FDB313
GV 1400 CAVALCADE	1400	1987 → 1988	(x2) FDB569		
GV 1400 GD	1400	1985 → 1986	(x2) FDB389		FDB389
VS 1400 GLP Intruder (VX51L/T)	1400	1996 → 2003	FDB389		FDB389
VS 1400 Intruder (VX51L)	1400	1987 → 1995	FDB389		FDB389
INTRUDER C1500 (left)	1500	2005 → 2009	FDB2048		FDB2163
INTRUDER C1500 (right)	1500	2005 → 2009	FDB2049		
INTRUDER C1500 BT-T	1500	2013 →	FDB570		FDB2049
M1500 INTRUDER	1500	2008 →	FDB2049		FDB2049
VL 1500	1500	1998 → 2001	(x2) FDB389		FDB389
VL 1500 K2 (left)	1500	2002 → 2003	FDB2048		FDB2163
VL 1500 K2 (right)	1500	2002 → 2003	FDB2049		
VZ 1600 MARAUDER	1600	2004 →	(x2) FDB873		FDB2049
M 1800 R INTRUDER (VRZ)	1800	2006 → 2009	(x2) FDB2178		FDB2049
M 1800 R2 INTRUDER (VRZ)	1800	2008 → 2009	(x2) FDB2178		FDB2049
M 1800 RB INTRUDER (VZR)	1800	2014 →	(x2) FDB2178		FDB2049
M 1800 RZ INTRUDER (VRZ)	1800	2007 → 2013	(x2) FDB2178		FDB2049
VLR 1800 INTRUDER C1800 R/RT	1800	2008 →	(x2) FDB2196		FDB2049

SWM

GS 50 RBS ENDURO	50	1983 →	FSB898		FSB898
MC 50 CROSS	50	1983 →	FSB898		FSB898
MK 50	50	1983 →	FSB898		FSB898
TL 50 TRIAL	50	2000 →	FSB907		FSB907
TR 50	50	2000 →	FSB907		FSB907
GS 80 RBS ENDURO	80	1983 →	FSB898		FSB898
MC 80 CROSS	80	1983 →	FSB898		FSB898
MK 80	80	1983 →	FSB898		FSB898
TL 80 TRIAL	80	2000 →	FSB907		FSB907
TR 80	80	2000 →	FSB907		FSB907
CROSS 125	125	2000 →	FSB901		FSB901
ENDURO 125	125	2000 →	FSB901		FSB901
HW 125	125	2000 →	FSB898		FSB898
MW 125 TRIAL	125	2000 →	FSB898		FSB898
S1 125	125	1983 →	FDB207		
S2 125	125	1983 →	FDB207		
TL 125	125	2000 →	FSB898		FSB898
ENDURO 175	175	2000 →	FSB901		FSB901
HW 240	240	2000 →	FSB898		FSB898
MW 240 TRIAL	240	2000 →	FSB898		FSB898
TL 240	240	2000 →	FSB898		FSB898
TRIAL 240	240	2000 →	FSB898		FSB898
CROSS 250	250	2000 →	FSB901		FSB901
S1 250	250	1983 →	FDB207		

* It is recommended that in those applications where sintered pads are supplied as Original Equipment, replacement pads should also be of sintered composition.

** To avoid brake imbalance sintered pads fitted in rear calipers should only be used in combination with front calipers containing sintered pads.



CC FROM → TO



NOTES



NOTES

...SWM

S2 250	250	1983	→	FDB207		
HW 320	320	2000	→	FSB898	FSB898	
MW 320 TRIAL	320	2000	→	FSB898	FSB898	
TL 320	320	2000	→	FSB898	FSB898	
TRIAL 320	320	2000	→	FSB898	FSB898	
ENDURO 347	347	2000	→	FSB901	FSB901	
HW 350	350	2000	→	FSB898	FSB898	
MW 350 TRIAL	350	2000	→	FSB898	FSB898	
TL 350	350	2000	→	FSB898	FSB898	
XP 350 SAHARA	350	1983	→	FDB108		
CROSS 440	440	2000	→	FSB901	FSB901	
ENDURO 440	440	2000	→	FSB901	FSB901	

SYM

BULLET 50	50	1993	→	FDB2192		
CITY HOPPER 50	50	1999	→ 2002	FDB625	FSB704	
DD 50 CITY TREK	50	2002	→	FDB625	FSB704	
FEEL BIG 50	50	1998	→ 2002	FDB2192		
FIDDLE 50	50	1999	→	FSB704	FSB703	
JET 50	50	1999	→	FDB2190	FSB788	
JUNGLE 50	50	1999	→ 2002	FDB2190	FSB788	
MASK 50	50	2000	→	FDB2190	FSB788	
PURE 50	50	1998	→ 2002	FDB2192		
RED DEVIL 50	50	1999	→	FDB2190	FSB788	
RS 50	50	2004	→	FDB2108		
SHARK 50	50	1999	→ 2003	FDB2108	FSB960	
SUPER FANCY 50	50	1996	→ 2002	FDB625	FSB788	
SUPER FANCY 50 (G5H-6/H325)	50	1996	→ 2002	FDB2190	FSB788	
CINDERELLA 50 / 100	100	1999	→ 2000	FDB625	FSB704	
JET 100	100	1999	→	FDB2190	FSB788	
SR 100 SUNRISE	100	1998	→	FDB539		
ATTILA 125	125	1999	→ 2000	FDB2190	FSB960	
Cevalo B9A (125cc -4T)	125	2010	→ 2010	FDB570		
EURO MX 125	125	2002	→	FDB2108	FSB960	
GTS 125	125	2006	→ 2009	FDB2226	FDB2226	
HD 125	125	2004	→ 2007	FDB2096	FSB960	
HD Evo 125 (Carb & EFi Models/4T/Single Headlight)	125	2003	→	FDB2190	FDB2226	
HD2- 125i (4T)	125	2010	→	FDB2190	FDB2226	
HUSKY 125	125	2000	→	FDB2129	FSB959	
JOYRIDE 125	125	2001	→ 2005	FDB2108	FDB2096	
JOYRIDE 125 EURO2	125	2005	→ 2006	FDB2108	FDB2226	
MEGALO 125	125	2000	→	FDB2190	FSB960	
RS 125	125	2001	→	FDB2108		
SB 125 Ni - Wolf (Efi Model)	125	2011	→	FDB2226	FDB2184	
SB125 N - Wolf (Carb Model/Drum Rear Brake)	125	2011	→	FDB781		
SHARK 125	125	1999	→ 2002	FDB2108	FSB966	
SHARK 4 VR 125	125	2000	→ 2002	FDB2108	FDB2087	
SUPER DUKE 125 / 150	125	1999	→ 2000	FDB2190	FSB788	
VS 125	125	2006	→	FDB2108	FSB960	
XS 125 K	125	2007	→	FDB2087	FSB706	
EURO MX 150	150	2002	→	FDB2108	FSB960	
HUSKY 150	150	2000	→	FDB2129	FSB959	
JOYRIDE 150	150	2001	→	FDB2108	FDB2096	
RS 150	150	2001	→	FDB2108		
SHARK 150	150	1999	→ 2002	FDB2108	FSB966	
SHARK 4 VR 150	150	2000	→ 2002	FDB2108	FDB2087	
SUPER DUKE 150	150	1999	→	FDB2190	FSB960	
VS 150	150	2006	→	FDB2108	FSB960	
HD 200	200	2004	→ 2005	FDB2096	FSB960	
JOYRIDE 200	200	2001	→	FDB2108	FDB2096	
SB250 Ni - Wolf	250	2012	→		FDB2184	
WOLF 300 Cafe' Racer	300	2015	→		FDB2184	
GT 500	500	2004	→	FDB2085		

TGB

203 TRIGGER 50	50	2002	→	FDB313		
----------------	----	------	---	--------	--	--

* It is recommended that in those applications where sintered pads are supplied as Original Equipment, replacement pads should also be of sintered composition.

** To avoid brake imbalance sintered pads fitted in rear calipers should only be used in combination with front calipers containing sintered pads.



CC FROM → TO



NOTES



NOTES

TM

80 (Big wheel)	80	2002	→	2004	FDB2018	FDB2005
80 Cross	80	1996	→	2001	FDB2018	FDB2005
80 Enduro	80	1996	→	2000	FDB2018	FDB2005
80 Junior	80	2005	→	2007	FDB2018	FDB2162
80 Junior Cross (Small wheel)	80	2002	→	2004	FDB2018	FDB2005
80 Minicross/Junior	80	1996	→	2000	FDB313	FDB661
all models 80	80	1990	→	1993	FDB499	FDB314
GS 80	80	1986	→	1989	FDB499	FDB207
MC 80	80	1986	→	1989	FDB499	FDB207
85 (Big wheel)	85	2002	→	2004	FDB2018	FDB2005
85 Cross	85	1996	→	2001	FDB2018	FDB2005
85 Junior	85	2005	→	2007	FDB2018	FDB2162
85 Junior Cross (Small wheel)	85	2002	→	2004	FDB2018	FDB2005
85 Minicross/Junior	85	1996	→	2000	FDB313	FDB661
MX 85 (Big Wheel)	85	2002	→	2004	FDB2018	FDB539
MX 85 (Big Wheel)	85	2005	→		FDB2018	FDB2162
MX 85 JR (Small Wheel)	85	2002	→	2004	FDB2018	FDB539
MX 85 JR (Small Wheel)	85	2005	→		FDB2018	FDB2162
100 (Big wheel)	100	2002	→	2004	FDB2018	FDB2005
100 Junior	100	2005	→	2007	FDB2018	FDB2162
100 Junior Cross (Small wheel)	100	2002	→	2004	FDB2018	FDB2005
125 Cross	125	1995	→	2000	FDB2018	FDB2005
125 Enduro	125	1995	→	2000	FDB2018	FDB2005
Enduro EN 125 (2T)	125	2001	→	2004	FDB2018	FDB539
Enduro EN 125 (2T)	125	2005	→		FDB2018	FDB539
Enduro EN 125 (2T) - USA VERSION	125	2005	→	2008	FDB2018	FDB2162
GS / MC 125	125	1990	→	1993	FDB499	FDB314
GS 125	125	1986	→	1989	FDB499	FDB207
MC 125	125	1986	→	1989	FDB499	FDB207
MX 125 (2T)	125		→	2004	FDB2018	FDB539
MX 125 (2T)	125	2005	→		FDB2018	FDB2162
SMM 125 (2T) Black Dream (320mm front disc)	125	2008	→	2013	FDB2120	FDB207
SMM 125 Black Dream (Rim brake)	125	2004	→	2007		FDB207
SMR 125 (2T)	125	2005	→		FRP408	FDB2162
SMR 125 (2T)	125	2015	→		FDB2120	FDB2162
EN 144 (2T)	144	2008	→		FDB2018	FDB2162
MX 144 (2T)	144	2008	→		FDB2018	FDB2162
250 Cross	250	1995	→	2000	FDB2018	FDB2005
250 Enduro	250	1995	→	2000	FDB2018	FDB2005
EN 250 Fi (4T) Enduro	250	2005	→		FDB2018	FDB2162
EN 250 Fi ES	250	2015	→		FDB2018	FDB2162
Enduro EN 250 (2T)	250	2001	→	2004	FDB2018	FDB539
Enduro EN 250 (2T)	250	2005	→		FDB2018	FDB2162
MX 250 (2T)	250	2001	→	2004	FDB2018	FDB539
MX 250 (2T)	250	2005	→		FDB2018	FDB2162
MX 250 (4T) Cross	250	2002	→	2004	FDB2018	FDB539
MX 250 (4T) Cross	250	2005	→	2012	FDB2018	FDB2162
MX 250 Fi (4T)	250	2010	→		FDB2018	FDB2162
SM 250	250	2002	→		FRP408	FDB539
SME 250 (4T)	250	2004	→		FRP408	FDB539
SMM 250 (2T)	250	2005	→		FRP408	FDB207
SMM 250 Fi (4T)	250	2010	→		FDB2120	FDB2162
SMR 250 (2T)	250	2005	→		FRP408	FDB2162
SMR 250 Fi (4T)	250	2010	→		FDB2120	FDB2162
SMX 250 Fi (4T)	250	2012	→		FDB2120	FDB2162
300 Cross	300	1995	→	2000	FDB2018	FDB2005
300 Enduro (2T)	300	1995	→	2000	FDB2018	FDB2005
Enduro EN 300 (2T)	300	2001	→	2004	FDB2018	FDB539
Enduro EN 300 (2T)	300	2005	→		FDB2018	FDB2162
MX 300 (2T)	300	2001	→	2004	FDB2018	FDB539
MX 300 (2T)	300	2005	→		FDB2018	FDB2162
SMM 300 (2T)	300	2005	→		FRP408	FDB207
SMR 300 (2T)	300	2005	→		FRP408	FDB2162
SMX 300 (2T)	300	2015	→		FDB2120	FDB2162
400 (4T) MX Cross	400	2002	→	2003	FDB2018	FDB539
400 Cross (4T)	400	1995	→	2000	FDB2018	FDB2005
SM 400	400	2002	→	2003	FRP408	FDB539
SME 400 (4T)	400	2004	→		FRP408	FDB539
SMM 400 (4T) (Rim brake)	400	2004	→	2004		FDB207
EN 450 F (4T)	450		→	2004	FDB2018	FDB539
EN 450 Fi (4T)	450	2005	→		FDB2018	FDB2162
EN 450 Fi ES	450	2015	→		FDB2018	FDB2162

* It is recommended that in those applications where sintered pads are supplied as Original Equipment, replacement pads should also be of sintered composition.

** To avoid brake imbalance sintered pads fitted in rear calipers should only be used in combination with front calipers containing sintered pads.

1078



CC FROM → TO



NOTES



NOTES

...TM

MX 450 F (4T)	450	→	2004	FDB2018	FDB539
MX 450 F - USA version	450	2005	→ 2008	FDB2018	FDB539
MX 450 Fi (4T)	450	2005	→	FDB2018	FDB2162
SMM 450 F Black Dream ES (320mm front disc)	450	2008	→ 2010	FDB2120	FDB207
SMM 450 Fi (4T)	450	2011	→	FDB2120	FDB207
SMR 450 FES	450	2005	→ 2009	FRP408	FDB2162
SMR 450 Fi (4T)	450	2010	→	FDB2120	FDB2162
SMX 450 F Competition (4T)	450	2005	→ 2008	FDB2120	FDB539
SMX 450 Fi (4T)	450	2005	→	FDB2120	FDB2162
530 (4T) Cross	530	2002	→ 2003	FRP408	FDB539
530 Cross (4T)	530	1998	→ 2000	FDB2018	FDB2005
EN 530 F (4T)	530	→	2004	FDB2018	FDB539
EN 530 Fi (4T)	530	2005	→	FDB2018	FDB2162
MX 530 F	530	→	2004	FDB2018	FDB539
MX 530 F	530	2005	→	FDB2018	FDB2162
SM 530	530	2002	→ 2003	FRP408	FDB539
SME 530 (4T)	530	2004	→	FRP408	FDB539
SMM 530 F Black Dream (Rim brake)	530	2004	→ 2007		FDB207
SMM 530 F Black Dream ES (320mm front disc)	530	2008	→ 2010	FDB2120	FDB207
SMR 530 F ES	530	2005	→ 2009	FRP408	FDB2162
SMR 530 Fi (4T)	530	2010	→	FDB2120	FDB2162
SMR 530 Fi ES	530	2015	→	FDB2120	FDB207
SMX 530 Fi (T)	530	2005	→	FDB2120	FDB2162
SMX 660 F	660	→	2004	FRP408	FDB539
SMX 660 F	660	2005	→ 2010	FDB2120	FDB2162

TOMOS

N 50 AT BT	50	1991	→ 2000	FDB436	
REVIVAL	50	2003	→	FDB697	
STREETMATE	50	2003	→	FDB697	
K 83	83	→		FSB902	FSB902
M 83	83	→		FSB902	FSB902

TORNAX

RX 80	80	→		FDB207	
-------	----	---	--	--------	--

TRE SOLDI

80	80	→		FSB833	FSB833
CR 80	80	1985	→	FDB207	FDB436
REGOLARITA' 80	80	1986	→ 1986	FSB911	FSB904

TRIUMPH

BONNEVILLE 800 / T100	100	2001	→	FDB664	FDB497
T 100	100	1970	→	FSB919	FSB921
T 120	120	1966	→	FSB919	FSB921
T 140	140	1970	→	FSB919	FSB921
T 150	150	1969	→	FSB919	FSB921
BONNEVILLE T 400 V E	400	1982	→ 1984 (x2)	FRP213	FDB342
BONNEVILLE T 400 V E	400	2000	→ (x2)	FDB342	FDB342
CUB 500	500	→		FSB916	FSB916
TRIDENT TI 500 V	500	1982	→ 1984	FRP213	FDB342
TRIDENT TI 500 V	500	2000	→	FDB342	FDB342
BABY SPEED 600	600	2004	→ (x2)	FDB557	FDB754
DAYTONA 600	600	2003	→ (x2)	FDB557	FDB754
SPEED FOUR 600	600	2002	→ (x2)	FDB557	FDB497
TT 600	600	2000	→ 2003 (x2)	FDB557	FDB531
THUNDERBIRD 650	650	1982	→ 1984	FRP213	
DAYTONA 675	675	2009	→ 2012 (x2)	FDB2252	FDB531
DAYTONA 675	675	2013	→ (x2)	FDB2252	FDB2005
DAYTONA 675 / Special Edition / Triple	675	2006	→ 2008 (x2)	FDB2158	FDB531
DAYTONA 675 R (Racing version pad)	675	2011	→ 2012 (x2)	FDB2218	FDB531
DAYTONA 675 R (Racing version pad)	675	2013	→ (x2)	FDB2218	FDB2005
DAYTONA 675 R (Road version pad)	675	2011	→ 2012 (x2)	FDB2260	FDB531
DAYTONA 675 R (Road version pad)	675	2013	→ (x2)	FDB2260	FDB2005
STREET TRIPLE 675	675	2007	→ 2012 (x2)	FDB570	FDB531

* It is recommended that in those applications where sintered pads are supplied as Original Equipment, replacement pads should also be of sintered composition.

** To avoid brake imbalance sintered pads fitted in rear calipers should only be used in combination with front calipers containing sintered pads.



CC

FROM → TO



NOTES



NOTES

...TRIUMPH

STREET TRIPLE 675	675	2013	→	(x2)	FDB570	FDB2005
STREET TRIPLE 675 R	675	2009	→	2012	(x2) FDB2158	FDB531
STREET TRIPLE 675 R	675	2013	→	(x2)	FDB2158	FDB2005
STREET TRIPLE 675 Rx	675	2015	→	(x2)	FDB2158	FDB2005
BONNEVILLE 750 TWIN (Brembo calipers)	750	1985	→	1986	FDB148	FDB148
BONNEVILLE 750 TWIN (Lockheed calipers)	750	1975	→	1981	FDB342	FDB342
BONNEVILLE 750 TWIN (Lockheed calipers)	750	1982	→	1984	FRP213	FDB342
DAYTONA 750 SPORT	750	1991	→	1992	(x2) FDB557	FDB631
TIGER 750 TR 7V	750	1976	→	1981	FRP213	FDB342
TIGER 750 TR 7V	750	2000	→		FDB342	FSB921
TRIDENT 750 (left)	750	1992	→	1998	FDB497	FDB631
TRIDENT 750 (right)	750	1992	→	1998	FDB631	
BONNEVILLE 800 (USA version)	800	2001	→		FDB570	FDB531
TIGER 800 (NO ABS)	800	2011	→	(x2)	FDB570	FDB531
TIGER 800 XC	800	2015	→	(x2)	FDB570	FDB531
TIGER 800 XC (NO ABS)	800	2011	→	(x2)	FDB570	FDB531
TIGER 800 XC SE	800	2014	→	(x2)	FDB570	FDB531
TIGER 800 XCx	800	2015	→	(x2)	FDB570	FDB531
TIGER 800 XR	800	2015	→	(x2)	FDB570	FDB531
TIGER 800 XRx	800	2015	→	(x2)	FDB570	FDB531
BONNEVILLE T100 SE	865	2012	→		FDB664	FDB497
AMERICA 865	865	2007	→		FDB664	FDB497
AMERICA 865 (12 Spoke Cast wheel)	865	2010	→		FDB664	FDB497
AMERICA LT 865	865	2014	→		FDB570	FDB497
BONNEVILLE California Street Racer 865	865	2008	→		FDB664	FDB497
BONNEVILLE Newchurch	865	2015	→		FDB664	FDB497
BONNEVILLE Spirit	865	2015	→		FDB664	FDB497
BONNEVILLE T100 865	865	2005	→		FDB664	FDB497
BONNEVILLE T100 BLACK	865	2012	→		FDB664	FDB497
BONNEVILLE T214	865	2015	→		FDB664	FDB497
SCRAMBLER 865	865	2006	→		FDB664	FDB497
SPEEDMASTER	865	2010	→		FDB664	FDB497
SPEEDMASTER 865	865	2004	→	(x2)	FDB570	FDB497
ADVENTURER 900	900	1996	→	2001	FDB570	FDB570
DAYTONA 900	900	1993	→	1996	(x2) FDB557	FDB631
DAYTONA SPRINT 900	900	1994	→	1998	(x2) FDB557	FDB631
DAYTONA SPRINT 900 (left)	900	1993	→		FDB497	FDB631
DAYTONA SPRINT 900 (right)	900	1993	→		FDB631	
DAYTONA SUPER III 900	900	1994	→	1997	(x2) FDB864	FDB631
LEGEND 900 TT	900	1999	→	2001	FDB570	FDB570
SCRAMBLER 900	900	2010	→		FDB664	FDB497
SPEED TRIPLE 900	900	1994	→	(x2)	FDB557	FDB631
THRUXTON 900	900	2004	→	2007	FDB570	FDB497
THRUXTON 900	900	2008	→		FDB664	FDB497
THRUXTON 900 (Front Brembo caliper)	900	2008	→	(x2)	FDB2042	FDB497
THRUXTON 900 ACE	900	2015	→		FDB664	FDB497
THUNDERBIRD 900 / SPORT	900	1995	→	(x2)	FDB570	FDB570
TIGER 900 (left)	900	1993	→	1998	(x2) FDB497	FDB631
TIGER 900 (right)	900	1993	→	1998	(x2) FDB631	
TRIDENT 900 SPRINTER (left)	900	1993	→	1998	FDB497	FDB631
TRIDENT 900 SPRINTER (right)	900	1993	→	1998	FDB631	
TROPHY 900	900	1996	→	1998	(x2) FDB557	FDB631
TROPHY 900 (left)	900	1993	→	1995	FDB497	FDB631
TROPHY 900 (right)	900	1993	→	1995	FDB631	
TIGER 950	950	1999	→	(x2)	FDB570	FDB570
DAYTONA 955i	955	1997	→	2000	(x2) FDB557	FDB497
DAYTONA 955i	955	2001	→	2004	(x2) FDB557	FDB531
SPEED TRIPLE 955	955	2002	→	(x2)	FDB557	FDB497
SPRINT RS 955 double sided swing arm	955	1999	→	2002	(x2) FDB557	FDB631
SPRINT RS 955 double sided swing arm	955	2003	→	2004	(x2) FDB557	FDB497
SPRINT RS 955 single sided swing arm	955	2003	→	2004	(x2) FDB557	FDB497
SPRINT ST 955	955	1999	→	2004	(x2) FDB557	FDB497
DAYTONA 1000 SPORT	1000	1991	→	1992	(x2) FDB557	FDB631
SPEEDMASTER	1000	2012	→	(x2)	FDB664	FDB497
SPEED TRIPLE 1050	1050	2004	→	2007	(x2) FDB2158	FDB497
SPEED TRIPLE 1050	1050	2007	→	2012	(x2) FDB2120	FDB497
SPEED TRIPLE R 1050 (Racing version pad)	1050	2012	→	(x2)	FDB2218	FDB497
SPEED TRIPLE R 1050 (Road version pad)	1050	2012	→	(x2)	FDB2260	FDB497
SPRINT GT 1050	1050	2011	→	(x2)	FDB557	FDB497
SPRINT ST 1050 / ABS	1050	2004	→	(x2)	FDB557	FDB497
TIGER SE ABS 1050	1050	2008	→	(x2)	FDB2158	FDB631
TIGER SPORT	1050	2013	→	(x2)	FDB2158	FDB631

* It is recommended that in those applications where sintered pads are supplied as Original Equipment, replacement pads should also be of sintered composition.

** To avoid brake imbalance sintered pads fitted in rear calipers should only be used in combination with front calipers containing sintered pads.

1080



CC FROM → TO



NOTES



NOTES

...TRIUMPH

TIGER XC	1050	2011	→	(x2)	FDB664	FDB531
DAYTONA 1200	1200	1993	→ 1998	(x2)	FDB557	FDB631
TROPHY 1200	1200	1996	→ 2001	(x2)	FDB557	FDB631
TROPHY 1200 (left)	1200	1993	→ 1995		FDB497	FDB631
TROPHY 1200 (right)	1200	1993	→ 1995		FDB631	
TIGER EXPLORER 1200	1215	2012	→	(x2)	FDB557	FDB497
TIGER EXPLORER XC 1200	1215	2013	→	(x2)	FDB557	FDB497
TROPHY SE	1215	2012	→	(x2)	FDB2085	FDB497
THUNDERBIRD 1600	1600	2009	→	(x2)	FDB557	FDB2006
THUNDERBIRD COMANDER	1700	2014	→	(x2)	FDB557	FDB2006
THUNDERBIRD LT	1700	2014	→	(x2)	FDB557	FDB2006
THUNDERBIRD NIGHT STORM	1700	2015	→	(x2)	FDB557	FDB2006
THUNDERBIRD STORM 1700	1700	2011	→	(x2)	FDB557	FDB2006
ROCKET III ROADSTER	2294	2010	→	(x2)	FDB557	FDB2006
ROCKET X	2294	2015	→	(x2)	FDB557	FDB2006
ROCKET 2300 /Rocket III Classic/Touring/Roadster	2300	2004	→	(x2)	FDB557	FDB2006

URAL

RETRO 750	750	2005	→		FDB2042	
-----------	-----	------	---	--	---------	--

VALENTI

80	80		→		FSB834	FSB834
125	125		→		FSB833	FSB833

VICTORY

Arlen Ness Victory Vision		2010	→ 2012	(x2)	FDB2098	FDB664
Broadwalk		2013	→ 2015		FDB2158	FDB664
Cory Ness Cross Country		2011	→ 2012	(x2)	FDB2158	FDB664
Cory Ness Jackpot		2008	→ 2010		FDB2158	FDB664
Cross Country		2010	→ 2014	(x2)	FDB2158	FDB664
Cross Country 8-Ball		2015	→	(x2)	FDB2158	FDB664
Cross Country Tour		2012	→ 2015	(x2)	FDB2158	FDB664
Cross Roads		2010	→ 2012	(x2)	FDB2158	FDB664
Cross Roads 8 - Ball (Cast Wheel)		2014	→	(x2)	FDB2158	FDB664
Cross Roads Classic (Spoke Wheel)		2013	→ 2014	(x2)	FDB2158	FDB664
Cross Touring		2013	→ 2014	(x2)	FDB2158	FDB664
Gunner		2015	→		FDB2158	FDB664
Hammer		2005	→ 2007	(x2)	FDB2099	FDB2006
Hammer		2008	→ 2011	(x2)	FDB2158	FDB664
Hammer 8 Ball		2010	→ 2015	(x2)	FDB2158	FDB664
Hammer S			→ 2007	(x2)	FDB2099	FDB2006
Hammer S		2008	→ 2015	(x2)	FDB2158	FDB664
Hard Ball		2012	→ 2013	(x2)	FDB2158	FDB664
Highball (Cast & Spoke Wheel)		2012	→ 2015		FDB2158	FDB664
Jackpot		2010	→ 2014		FDB2158	FDB664
Judge		2013	→ 2015		FDB2158	FDB664
King Pin		2004	→ 2007		FDB2099	FDB2006
King Pin		2008	→ 2012		FDB2158	FDB664
King Pin Tour		2004	→ 2007		FDB2099	FDB2006
Kingpin 8-Ball		2008	→ 2011		FDB2158	FDB664
Kingpin Tour		2008	→ 2009		FDB2158	FDB664
Kingpin-Low			→ 2009		FDB2158	FDB664
Magnum			→ 2015	(x2)	FDB2158	FDB664
Ness Signature Series		2005	→ 2007		FDB2099	FDB2006
V92SC		2000	→ 2003	(x2)	FDB2099	FDB2006
Vegas		2003	→ 2007		FDB2099	FDB2006
Vegas		2008	→ 2012		FDB2158	FDB664
Vegas 8-Ball		2005	→ 2007		FDB2099	FDB2006
Vegas 8-Ball		2008	→ 2015		FDB2158	FDB664
Vegas Jackpot		2006	→ 2007		FDB2099	FDB2006
Vegas Jackpot		2008	→ 2009		FDB2158	FDB664
Vegas Low		2008	→ 2009		FDB2158	FDB664
Vision 8 Ball		2010	→ 2011	(x2)	FDB2098	FDB664
Vision Street		2008	→ 2009	(x2)	FDB2098	FDB664
Vision Tour (All models)		2008	→ 2015	(x2)	FDB2098	FDB664
Zach Ness Vegas		2008	→ 2012		FDB2158	FDB664
V92C (All models single front rotor)	1500	1998	→ 2003		FDB2099	FDB2006

* It is recommended that in those applications where sintered pads are supplied as Original Equipment, replacement pads should also be of sintered composition.
 ** To avoid brake imbalance sintered pads fitted in rear calipers should only be used in combination with front calipers containing sintered pads.



CC

FROM → TO



NOTES



NOTES

YAMAHA

50 AXIS	50	1993 →	FDB636	FSB788
50 AXIS PROFOOT	50	1994 →	FDB636	FSB788
50 BELUGA	50	1990 → 1995	FSB738	FSB739
50 BELUGA	50	2000 →	FSB739	FSB739
50 BREEZE	50	1994 → 1996	FDB680	FSB738
50 CHAPPY	50	1980 →	FSB732	FSB732
50 FLY ONE	50	1992 → 1995	FDB383	FSB704
50 GRAFIX	50	1993 →	FSB738	FSB738
50 SPY	50	1996 → 1998	FDB680	FSB731
50 TRAFIC	50	1993 →	FSB738	FSB738
50 TRUNK	50	1994 →	FDB636	FSB788
50 YAMY	50	1988 →	FSB771	FSB771
50 YAMY ME	50	1988 →	FSB771	FSB771
50 ZUMA	50	1996 →	FDB680	FSB738
CA 50 SALIENT	50	1983 → 1986	FSB730	FSB739
CR 50 TARGET	50	1991 →	FDB636	FSB731
CR 50 Z	50	1992 →	FDB636	FSB731
CT 50 SUPER SPORT	50	1990 →	FSB731	FSB731
CW 50 RS	50	1995 →	FDB889	FSB738
DT 50	50	1988 → 1992	FSB738	FSB738
DT 50 LCD	50	1996 → 1998	FDB2015	FSB731
DT 50 M - MX	50	1978 → 1987	FSB732	FSB732
DT 50 R	50	1993 → 1997	FDB383	FSB738
DT 50 R	50	1997 →	FDB697	FSB731
DT 50 R	50	2002 → 2007	FDB697	FRP405
DT 50 R	50	2008 →	FDB2107	FDB2107
DT 50 R SM	50	2004 →	FDB677	FDB2128
DT 50 X	50	2008 →	FDB677	FDB2128
EW 50 SLIDER	50	2000 → 2003	FDB889	FSB731
FS 1 50 E	50	1974 → 1975	FSB732	FSB732
FS 1 50 E DX	50	1976 → 1979		FSB732
FS 1 50 SE	50	1981 → 1982	FSB732	FSB732
FZR 50	50	1990 → 1991	FDB631	FDB386
FZR 50	50	1992 →	FDB497	FDB659
JOG 50 (Brasil)	50	→		FSB739
JOG 50 (Espana)	50	1988 →	FDB636	FSB739
JOG 50 (Italia)	50	1993 →	FDB636	FSB788
JOG 50 Z (Italia) - R / RR	50	1993 →	FDB889	FSB788
LB 2 50 M CHAPPY	50	1980 →	FSB732	FSB732
LC 50 M	50	1980 →	FSB732	FSB732
LC 50 M BOP	50	1980 →	FSB739	FSB739
MA 50 M	50	1981 →	FSB730	FSB730
MINI 50 L SHAFT	50	1983 →		FSB738
MINT 50	50	1996 →	FSB730	FSB739
MJ 50 M TOWNY	50	1981 → 1993	FSB730	FSB730
MS 50	50	1985 → 1986	FSB730	FSB739
PW 50	50	1980 → 2013	FSB730	FSB730
QA 50 POCKE	50	1983 →	FSB730	FSB730
QB 50 VOGEL	50	1983 →	FSB730	FSB730
QT 50	50	1980 →	FSB730	FSB730
RD 50 M	50	1978 →		FSB732
RD 50 MX	50	1981 → 1987	FDB277	FSB732
RS 50 CHAMP	50	1988 →	FDB636	FSB739
SA 50 M - ME PASSOLA	50	1980 → 1984	FSB730	FSB739
SG 50 STING	50	1984 →	FSB739	FSB739
SH 50 RAZZ	50	1993 →	FSB730	FSB739
TDR 50	50	1990 →	FDB383	FDB383
TY 50 M	50	1979 →	FSB732	FSB732
TZM 50 R	50	1994 →	FDB636	FDB383
TZR 50	50	1990 → 1996	FDB636	FDB383
TZR 50	50	1997 → 2003	FDB631	
TZR 50 /Race Replica 07	50	2004 →	FDB677	FRP405
V 50 M	50	1983 →	FSB738	FSB738
V 50 M - P	50	1974 → 1982	FSB732	FSB732
YE 50 ZEST	50	1992 →	FDB889	FSB731
YE 50 ZEST	50	1993 → 1995	FDB889	FSB738
YH 50 WHY	50	1999 →	FDB889	FSB731
YSR 50	50	1986 → 1987	FDB475	FSB731
YZ 50 G - H - J - K	50	1980 → 1983	FSB764	FSB764
YSR 60	60	1986 → 1987	FDB475	FSB731
YZ 60	60	1985 →	FSB764	FSB764
V 70 A	70	1976 →	FSB732	FSB732

* It is recommended that in those applications where sintered pads are supplied as Original Equipment, replacement pads should also be of sintered composition.

** To avoid brake imbalance sintered pads fitted in rear calipers should only be used in combination with front calipers containing sintered pads.



CC FROM → TO



NOTES



NOTES

...YAMAHA

80 BELUGA	80	1990	-	FSB738	FSB739
80 BELUGA	80	2000	-	FSB731	FSB731
BOP 80 2	80	1980	-	FSB732	FSB732
DT 80 (Espana)	80		-	FSB738	FSB738
DT 80 LC	80	1981	-	FSB732	FSB732
DT 80 LC (Espana)	80	1989	-	FDB499	FSB738
DT 80 LC - LC II - N	80	1985	-	FDB475	FSB732
DT 80 LC2	80	1993	-	FDB383	FSB733
DT 80 MX - MX-S	80	1981	-	FSB732	FSB732
FS 80 SE	80	1981	- 1982	FSB732	FSB732
PW 80	80	1991	-	FSB739	FSB738
PW 80 K	80	1983	- 1990	FSB764	FSB764
RD 80 AIR COOLED	80	1981	- 1982	FDB277	FSB732
RD 80 LC1	80	1982	-	FDB311	FSB733
RD 80 LC2 - LCS	80	1982	-	FDB311	FSB732
RD 80 MX	80	1981	- 1982	FDB277	FSB732
RX 80 SE	80	1982	-	FDB277	FSB732
T 80 TOWNMATE	80	1983	- 1997	FSB738	FSB738
TDR 80	80	1989	-	FDB475	FDB475
TY 80	80	1977	-	FSB764	FSB732
TY 80	80	1983	-	FSB764	FSB731
TZR 80	80	1992	-	FDB636	FDB383
TZR 80	80	2000	-	FDB386	FSB733
V 80	80	1979	- 1982	FSB732	FSB732
V 80	80	1983	-	FSB738	FSB738
YSR 80	80	1986	-	FDB475	FSB731
YZ 80	80	1977	- 1979	FSB764	FSB732
YZ 80	80	1980	- 1985	FSB764	FSB764
YZ 80	80	1986	- 1992	FDB2015	FSB764
YZ 80	80	1993	- 2001	FDB2015	FDB661
YZ 85 LW	85	2002	-	FDB2015	FDB661
90 AXIS (Brasil)	90		-	FDB636	
CR 90 TARGET	90	1991	-	FDB636	FSB731
JOG 90	90	1990	- 1994	FDB636	FSB739
JOG 90 (Brasil)	90		-	FDB636	FSB739
TT-R 50	90	2006	- 2013	FSB702	FSB702
TT-R 90	90	2000	- 2004	FSB764	FSB731
V 90	90	1978	-	FSB732	FSB732
BW' S 100	100	2000	- 2002	FDB636	FSB947
DT 100	100	1976	- 1980	FSB732	FSB733
RS 100	100	1975	- 1977	FSB732	FSB732
RS 100 all models	100	1977	- 1980		FSB732
RT 100	100	1994	- 2003	FSB731	FSB731
RX 100	100	1983	- 1996	FSB738	FSB738
YB 100	100	1978	- 1981	FSB732	FSB732
YB 100	100	1982	- 1986	FSB732	FSB731
YB 100	100	1987	- 1992	FSB731	FSB731
YN 100 NEO'S	100	2000	- 2003	FDB889	FSB947
YQ 100 AEROX	100	2000	- 2002	FDB889	FSB733
YZ 100 E - F - G - H	100	1978	- 1981	FSB732	FSB733
YZ 100 J - K	100	1982	- 1983	FSB731	FSB733
105 CRIPTON	105	1996	- 1998	FDB2083	FSB738
TT-R 110	110	2008	-	FSB764	FSB731
125 ACTIVE	125	1990	-	FSB733	FSB733
125 BIKAN	125	1991	-	FDB386	FDB337
BL 125 BELUGA	125	1985	- 1987	FSB733	FSB733
BL 125 BELUGA	125	1988	- 1992	FSB772	FSB733
BL 125 BELUGA	125	1993	- 1995	FSB772	FSB947
BW's 125	125	2010	-	FDB2264	FSB967
DT 125 (Italia)	125	1986	- 1987	FDB438	FSB733
DT 125 CHESTERFIELD SCOUT	125	1988	-	FDB592	FSB733
DT 125 CHESTERFIELD SCOUT	125	1989	-	FDB499	FSB733
DT 125 E - LC - MX	125	1974	- 1984	FSB733	FSB733
DT 125 LC - R	125	1985	- 1986	FDB475	FSB733
DT 125 LC / R	125	1988	-	FDB475	FDB383
DT 125 LC TENERE	125	1988	-	FDB592	FSB733
DT 125 MX (drum brakes)	125	1992	-	FSB733	FSB733
DT 125 R	125	2000	- 2003	FDB383	FDB383
DT 125 RE	125	1991	- 1993	FDB383	FDB383
DT 125 RE	125	2004	-	FDB383	
DT 125 TENERE (Italia)	125	1987	-	FDB438	FSB733
IT 125 G - H - J	125	1980	- 1982	FSB732	FSB733

* It is recommended that in those applications where sintered pads are supplied as Original Equipment, replacement pads should also be of sintered composition.

** To avoid brake imbalance sintered pads fitted in rear calipers should only be used in combination with front calipers containing sintered pads.



CC

FROM → TO



NOTES



NOTES

...YAMAHA

MAXTER 125	125	2001 → 2003	FDB2018	FDB2074
MT-125 ABS	125	2015 →	FDB2216	FDB2184
NCX 125 CYGNUS X 220mm disc (5ML)	125	2004 → 2006	FDB2224	FSB967
RD 125 DX	125	1975 → 1977		FSB733
RD 125 LC	125	1982 → 1984	FDB311	FSB733
RD 125 LC R	125	1985 → 1987	FDB386	FSB733
RIVA 125 XX	125	1993 →	FSB772	FSB947
RS 125	125	1975 →	FSB734	FSB733
RS 125 DX	125	1976 → 1980		FSB733
SR 125	125	1993 → 1996	FDB311	FSB763
SR 125	125	1997 → 2003	FDB2003	FSB731
SR 125 SE	125	1982 → 1992	FSB733	FSB731
TD 125 R	125	1993 →	FDB383	FDB383
TDR 125	125	1992 →	FDB499	FDB207
TDR 125	125	1993 → 1993	FDB2003	FDB383
TDR 125 (Italia)	125	1990 → 1991	FDB499	FDB314
TDR 125 R	125	1993 → 2003	FDB781	FDB475
TT-R 125	125	2000 →	FSB731	FSB731
TT-R 125 LW	125	2000 → 2012	FDB2015	FSB731
TW 125	125	1998 → 2002	FDB2083	FSB731
TW 125	125	2003 →	FDB2083	
TY 125	125	1982 →	FSB732	FSB733
TZ 125	125	1997 →	FDB557	FDB2194
TZR 125	125	1987 → 1989	FDB386	FSB733
TZR 125	125	1990 → 1992	FDB337	FDB386
TZR 125	125	1993 →	FDB2003	FDB383
TZR 125 (Italia)	125	1991 →	FRP408	FDB207
TZR 125 RED ROCKET	125	1993 →	FRP408	FDB207
VITY 125	125	2008 →	FDB2238	
WR 125	125	1990 →	FDB497	FDB659
WR 125	125	1991 → 1992	FDB497	FDB659
WR 125 R	125	2009 → 2013	FDB664	FDB2005
WR 125 X (Supermoto)	125	2009 →	FDB664	FDB2005
X-CITY 125	125	2008 →	FDB664	FDB2074
XC 125 BELUGA	125	1993 →	FSB772	FSB733
XC 125 CYGNUS	125	1996 → 1997	FDB383	FSB731
XC 125 CYGNUS T	125	1995 →	FSB947	FSB731
XC 125 TR CYGNUS R	125	1998 → 2003	FDB475	
Xenter 125	125	2012 →	FDB2264	FSB967
XN 125 N TEO'S	125	2000 → 2003	FDB889	FSB947
XQ 125 N MAXSTER	125	2001 → 2003	FDB2018	FDB2074
XT 125	125	1976 →	FSB913	FSB738
XT 125 R	125	2008 →	FDB2128	FDB2128
XT 125 X	125	2008 →	FDB677	FDB2128
XV 125 VIRAGO	125	1997 → 2000	FDB2003	FSB947
XVS 125 DRAG STAR	125	2000 →	FDB2003	FSB947
YBR 125 (3D92/9)	125	2007 → 2009	FDB2238	
YBR 125 (51D1/2)	125	2010 → 2014	FDB2238	
YBR 125 Custom	125	2008 → 2013	FDB2238	
YBR 125 E/K (5HH1/2/C/G/J/SLX/SLX9)	125	2000 → 2008	FSB947	FSB947
YBR 125 ED (3D91)	125	2005 → 2006	FDB383	FSB947
YBR 125 ED (5HHB/F/H)	125	2006 → 2008	FDB497	FSB947
YP 125 MAJESTY	125	1998 → 2000	FDB2018	FSB947
YP 125 MAJESTY	125	2001 → 2009	FDB2018	FDB2074
YP 125 R X-MAX (Brembo Front) NO ABS	125	2006 → 2009	FDB2208	FDB2074
YZ 125	125	1985 → 1987	FDB411	FSB737
YZ 125	125	1988 →	FDB411	FDB383
YZ 125	125	1989 →	FDB497	FDB661
YZ 125	125	2003 → 2007	FDB892	FDB2162
YZ 125	125	2008 →	FDB2219	FDB2162
YZ 125 all models	125	1990 → 1997	FDB497	FDB659
YZ 125 all models	125	1998 → 2002	FDB892	FDB539
YZ 125 C - D - E - F - G - H - J	125	1976 → 1982	FSB913	FSB733
YZ 125 K - N - L	125	1983 → 1984	FSB763	FSB737
YZF-R 125	125	2008 → 2013	FDB2018	FDB2184
YZF-R 125	125	2014 →	FDB2216	FDB2184
CRYPTON T135	135	2006 →	FDB2238	FSB733
150 FLY ONE	150	1992 →	FDB383	FSB704
MAXTER 150	150	2001 → 2003	FDB680	FDB2074
Xenter 150	150	2012 →	FDB2264	FSB967
YP 150 MAJESTY	150	2001 → 2003	FDB2018	FDB2074
YZF-R15	150	2011 →	FDB2238	FDB2143

* It is recommended that in those applications where sintered pads are supplied as Original Equipment, replacement pads should also be of sintered composition.

** To avoid brake imbalance sintered pads fitted in rear calipers should only be used in combination with front calipers containing sintered pads.



CC

FROM → TO



NOTES



NOTES

...YAMAHA

DT 175 MX	175	1974 → 1983		FSB733		FSB733
IT 175 G - H - I	175	1980 → 1982		FSB913		FSB733
TY 175	175	1977 → 1980		FSB732		FSB733
RT 180	180	1990 → 1992		FDB583		FSB733
RT 180	180	1993 → 1994		FDB583		FSB947
RT 180 G	180	1995 → 2000		FDB475		FSB947
XC 180 GYGNUM	180	1983 → 1985		FSB733		FSB734
XC 185 BELUGA	185	1993 →		FSB772		FSB772
DT 200 R	200	1988 → 1991		FDB475		FDB475
DT 200 WR	200	1991 →		FDB497		FDB659
IT 200	200	1984 →		FSB737		FSB737
RD 200 DX	200	1975 → 1978				FSB734
RS 200	200	1979 →		FSB734		FSB734
RS 200 C	200	1975 → 1980				FSB734
SDR 200	200	1987 → 1989		FDB386		FDB386
TW 200	200	1989 → 1992		FSB733		FSB731
TW 200	200	1993 → 2000		FSB947		FSB731
TW 200	200	2001 → 2003		FDB383		FSB731
TW 200 T/U/W	200	1987 → 1988		FSB734		FSB732
WR 200 B	200	1991 → 1994		FDB497		FDB659
BRONCO 225	225	1997 →		FDB2083		
CELLOW 225	225	1997 →		FDB2083		
CELLOW 225	225	2005 →		FDB2208		
SEROW 225 XT	225	1985 → 1992		FDB383		FSB731
SEROW 225 XT	225	1993 → 1995		FDB383		FDB659
TT-R 225	225	1999 → 2002		FDB383		FSB731
XV 240 VIRAGO	240	1991 → 1992		FDB311		FSB733
XV 240 VIRAGO	240	1992 → 2000		FDB311		
CP 250 (1B71) Maxam/Morphus	250	2005 → 2008		FDB2003		FDB2200
CYGNUS X 250	250	2007 →		FDB2224		
DT 250 MX	250	1975 → 1980		FSB767		FSB734
FZR 250	250	1986 → 1988 (x2)		FDB449		FDB386
FZR 250 R	250	1989 →		FDB605		FDB386
FZX 250 ZEAL	250	1991 →		FDB781		FDB386
IT 250 G	250	1980 →		FSB913		FSB767
IT 250 H - J - K	250	1981 → 1983		FSB913		FSB734
IT 250 L	250	1984 →		FSB763		FSB734
R1 250 Z	250	1997 → (x2)		FDB449		FDB386
RD 250 A - B - C	250	1974 → 1977				FSB735
RD 250 E - F	250	1978 → 1979		FDB184		FDB184
RD 250 LC	250	1980 →				FSB735
RD 250 LC	250	1981 → 1983		FDB277		FSB735
RZR 250	250	1990 → (x2)		FDB386		FDB386
SEROW 250 (3C51/52)	250	2005 →		FDB2083		FDB659
SR 250	250	1987 →		FSB766		FSB733
SR 250 E (España)	250	1990 → 1994		FDB311		FSB733
SR 250 SE	250	1980 → 1982		FSB767		FSB733
SRV 250 SOULFULTWIN RENAISSA	250	1992 → 1997		FDB781		FSB947
TDR 250	250	1988 → 1992		FDB449		FDB386
TT 250 R	250	1993 → 1999		FDB497		FDB659
TT 250 S	250	1987 → 1992		FDB411		FSB733
TT-R 250	250	2000 →		FDB497		FDB539
TY 250 D - E - F - G	250	1977 → 1980		FSB732		FSB733
TY 250 H	250	1981 → 1983		FSB913		FSB734
TY 250 R	250	1991 → 1993		FRP405		FSB732
TY 250 S - RS	250	1984 → 1990		FSB737		FSB732
TY 250 Z	250	1993 → 1995		FDB2107		FDB2107
TY 250 Z SCOTTISH	250	1996 →		FDB781		FDB659
TZ 250	250	1985 →		FDB449		FDB386
TZ 250 (Radial Caliper)	250	2002 → (x2)		FDB557		FDB2194
TZ 250 A - GP	250	1990 → 2001 (x2)		FDB557		FDB2194
TZ 250 COMPETITION	250	1988 → (x2)		FDB449		
TZR 250	250	1985 → 1989		FDB449		FDB386
TZR 250 R	250	1994 → (x2)		FRP408		FDB2194
TZR 250 R - SP	250	1989 → 1992 (x2)		FDB557		FDB386
WR 250 (F 4T)	250	2003 → 2013		FDB892		FDB2162
WR 250 (Z 2T)	250	1991 → 1997		FDB497		FDB659
WR 250 (ZK 2T - FN&FT 4T)	250	1998 → 2002		FDB892		FDB539
WR 250 R (32D1/3)	250	2008 → 2010		FDB892		FDB2162
WR 250 X (Supermotard) (32D2/4)	250	2008 → 2010		FDB570		FDB2162
X-CITY 250	250	2008 →		FDB664		FDB2083
XG 250 TRICKER (5XT1)	250	2004 → 2006		FDB2083		FDB659

* It is recommended that in those applications where sintered pads are supplied as Original Equipment, replacement pads should also be of sintered composition.

** To avoid brake imbalance sintered pads fitted in rear calipers should only be used in combination with front calipers containing sintered pads.



CC FROM → TO



NOTES



NOTES

...YAMAHA

XL 250 G	250	1980	→		FSB913		FSB733
XS 250	250	1978	→ 1978		FDB177		FDB177
XS 250 C	250	1980	→		FSB770		FSB736
XS 250 D - E	250	1979	→ 1981		FDB177		FSB736
XS 250 SE - SF SPECIAL	250	1979	→ 1981		FDB184		FSB736
XT 250	250	1980	→		FSB733		FSB733
XT 250 X	250	2006	→ 2008		FDB2083		FDB659
XV 250 S VIRAGO	250	1995	→ 2000		FDB2003		FSB947
XV 250 VIRAGO	250	1993	→ 1994		FDB311		FSB733
XVS 250 DRAGSTAR	250	2001	→ 2004		FDB2003		FSB947
YD 250 S	250	1991	→		FDB337		FSB767
YP 250 A MAJESTY	250	2000	→		FDB2003		FDB2083
YP 250 MAJESTY	250	1996	→ 1997		FDB2003		FSB736
YP 250 MAJESTY DX - ABS	250	1998	→ 1999		FDB2003		FDB2083
YP 250 R X-MAX (Brembo Front Caliper) NO ABS	250	2005	→ 2009		FDB2208		FDB2083
YP 250 R X-MAX (Nissan Front Caliper) NO ABS	250	2010	→ 2013		FDB664		FDB2083
YZ 250	250	1985	→ 1987		FDB411		FSB733
YZ 250	250	1988	→		FDB411		FDB383
YZ 250	250	1989	→		FDB497		FDB661
YZ 250	250	1990	→ 1997		FDB497		FDB659
YZ 250	250	1995	→ 1997		FDB497		
YZ 250 (2T)	250	2003	→ 2007		FDB892		FDB2162
YZ 250 (2T)	250	2008	→		FDB2219		FDB2162
YZ 250 A - B	250	1990	→ 1992		FDB497		FDB659
YZ 250 D - E - F	250	1976	→ 1979		FSB913		FSB767
YZ 250 F (4T)	250	2003	→ 2006		FDB892		FDB2162
YZ 250 F (4T)	250	2007	→		FDB2219		FDB2162
YZ 250 FN-FP (4T)	250	2001	→ 2002		FDB892		FDB539
YZ 250 G	250	1980	→		FSB913		FSB733
YZ 250 H	250	1981	→		FSB913		FSB734
YZ 250 J - K - L	250	1982	→ 1984		FSB763		FSB733
YZ 250 K/L/M	250	1998	→ 2000		FDB892		FDB539
YZ 250 N-P (2T)	250	2001	→ 2002		FDB892		FDB539
YZF-R25 (RG10)	250	2015	→		FDB2280		FDB2283
VERSITY 300	300	2004	→		FDB2018		FDB2018
YZF-R3	321	2015	→		FDB2280		FDB2283
RD 350 A - B	350	1974	→ 1976				FSB735
RD 350 all models	350	1985	→ 1995 (x2)		FDB386		FDB386
RD 350 all models	350	1985	→ 1995 (x2)		FDB386		FDB386
RD 350 LC	350	1980	→ (x2)				FSB735
RD 350 LC	350	1981	→ 1982 (x2)		FDB277		FSB735
RD 350 S	350	1974	→ 1976				FSB735
RD 350 YPVS	350	1983	→ 1984 (x2)		FDB311		FDB337
TT 350	350	1986	→ 1990		FDB411		FSB733
TT 350	350	1991	→ 1995		FDB411		FDB383
XT 350	350	1988	→ 1990		FDB583		FSB733
XT 350	350	1991	→		FDB583		FSB733
XT 350	350	1992	→ 1995		FDB383		FSB733
XT 350 4 VALVES	350	1985	→		FDB311		FSB734
XT 350 4 VALVES	350	1986	→ 1987		FDB475		FSB733
XS 360 B	360	1975	→ 1975				FSB735
XS 360 C	360	1976	→		FDB177		FDB177
YZ 360	360	1989	→		FDB497		FDB661
400 ARTESIA	400	1991	→		FDB737		FDB383
DT 400 MX	400	1975	→ 1977		FSB767		FSB734
FZ 400	400	1986	→ (x2)		FDB337		FDB386
FZR 400 R	400	1987	→ 1990 (x2)		FDB449		FDB337
FZR 400 RR - SP	400	1991	→ 1992 (x2)		FDB605		FDB386
RD 400 E - F	400	1978	→		FDB184		FDB184
SR 400	400	1977	→ 1984		FDB177		FDB177
SR 400 (3HT1)	400	1985	→ 2000				FSB734
SR 400 (BC-RH01J)	400	2001	→		FDB781		FSB734
SR 400 (RH051)	400	2014	→		FDB781		FSB734
SRX 400	400	1985	→ 1986		FDB337		FDB386
SRX 400	400	1987	→ 1989		FDB449		FDB386
SRX 400	400	1990	→ 1996		FDB666		FDB337
WR 400 F	400	1998	→		FDB892		FDB659
WR 400 F	400	1999	→ 2001		FDB892		FDB539
XJ 400 DIVERSION - R	400	1991	→ 1994		FDB2003		FDB386
XJR 400 R	400	1997	→		FDB2003		FDB337
XS 400	400	1979	→ 1979		FDB177		FSB736
XS 400 DOHC	400	1982	→		FDB311		FSB736

* It is recommended that in those applications where sintered pads are supplied as Original Equipment, replacement pads should also be of sintered composition.

** To avoid brake imbalance sintered pads fitted in rear calipers should only be used in combination with front calipers containing sintered pads.



CC

FROM → TO



NOTES



NOTES

...YAMAHA

XS 400 SE	400	1980 → 1981	FDB184	FSB736
XS 400 SPECIAL	400	1982 →	FDB311	FSB736
XV 400 VIRAGO	400	1988 →	FDB591	FSB765
XVS 400	400	1998 → 1999	FDB781	FSB765
YP 400 MAJESTY	400	2004 → 2004 (x2)	FDB781	FDB2200
YP 400 MAJESTY (ABS)	400	2007 → (x2)	FDB2003	FDB2200
YP 400 MAJESTY (NO ABS)	400	2005 → (x2)	FDB2003	FDB2200
YZ 400 D - E - F	400	1977 → 1979	FSB913	FSB767
YZ 400 F	400	1998 →	FDB892	FDB539
IT 425 G	425	1980 →	FSB913	FSB767
WR 426 FN	426	2001 → 2002	FDB892	FDB539
YZ 426 FM / FN	426	2000 → 2002	FDB892	FDB539
WR 450 F	450	2003 →	FDB892	FDB2162
YZ 450 F	450	2003 → 2007	FDB892	FDB2162
YZ 450 F	450	2008 →	FDB2219	FDB2162
IT 465 H - I	465	1981 → 1982	FSB763	FSB734
YZ 465 G - H - J - U	465	1980 →	FSB763	FSB734
IT 490 L	490	1983 → 1984	FSB763	FSB733
YZ 490	490	1985 → 1987	FDB411	FSB734
YZ 490 J	490	1982 → 1982	FSB763	FSB734
YZ 490 K - L	490	1983 → 1984	FSB763	FSB733
IT 500 G - H	500	1980 → 1981	FSB913	FSB767
RD 500 LC	500	1984 → 1986 (x2)	FDB337	FDB386
RD 500 YPVS LC	500	1984 → 1987 (x2)	FDB337	FDB386
SR 500	500	1978 → 1982	FDB177	FSB734
SR 500	500	1993 →		FSB734
TT 500 G - H	500	1976 → 1981	FSB913	FSB767
TX 500	500	1975 → 1977		FSB769
WR 500 B	500	1991 → 1992	FDB497	FDB383
WR 500 ZD - ZE	500	1992 → 1993	FDB497	FDB659
XP 500 T MAX	500	2001 → 2003	FDB781	FDB2126
XP 500 T MAX	500	2004 → 2007 (x2)	FDB2003	FDB2200
XP 500 T MAX	500	2008 → 2011 (x2)	FDB605	FDB2200
XP 500 T MAX SV (Tech Max)	500	2011 → (x2)	FDB605	FDB2200
XP 500 T MAX SV ABS (Tech Max)	500	2011 → (x2)	FDB605	FDB2200
XS 500 B	500	1975 → 1977		FSB769
XS 500 C	500	1976 → 1979	FDB177	FDB177
XT 500	500	1976 → 1981	FSB767	FSB734
XT 500 (Austria)	500	1983 →	FDB311	FSB734
XP 530 T MAX	530	2012 → (x2)	FDB605	FDB2126
XP 530 T MAX ABS	530	2012 → (x2)	FDB605	FDB2126
XP 530 T MAX IRON MAX /ABS	530	2015 → (x2)	FDB605	FDB2126
XV 535 VIRAGO	535	1987 → 1994	FDB591	FSB765
XV 535 VIRAGO	535	1995 → 1998	FDB781	FSB765
XJ 550	550	1981 → 1984 (x2)	FDB277	FSB769
XT 550	550	1982 → 1983	FSB734	FSB734
XZ 550	550	1982 → 1984 (x2)	FDB311	FSB769
XZ 550 S	550	1984 → 1986 (x2)	FDB311	FSB769
600 DIVERSION	600	1992 → 1997	FDB781	FDB386
FZ 600	600	1987 → 1988 (x2)	FDB337	FDB386
FZ6 600 / FZ6 600 FAZER ABS	600	2004 → 2007 (x2)	FDB2003	FDB754
FZ6 600 S2 / FZ6 600 FAZER S2 ABS	600	2007 → 2009 (x2)	FDB605	FDB754
FZ6R 600	600	2009 → (x2)	FDB2003	FDB531
FZR 600	600	1989 → (x2)	FDB337	FDB337
FZR 600 R	600	1990 → (x2)	FDB666	FDB337
FZR 600 R	600	1991 → 1995 (x2)	FDB637	FDB337
FZS 600 FAZER	600	1999 → 2003	FDB605	FDB386
SRX 600	600	1985 → 1987 (x2)	FDB386	FDB386
SRX 600	600	1988 → 1990	FDB449	FDB386
TT 600	600	1987 → 1992	FDB475	FSB733
TT 600	600	1993 →	FDB2018	FDB659
TT 600 L	600	1983 → 1984	FSB763	FSB733
TT 600 N	600	1985 → 2000	FDB411	FSB733
TT 600 N	600	1985 → 1988	FDB311	FSB734
TT 600 R	600	1998 → 1999	FDB2018	FDB2005
TT 600 R (SPORTKIT)	600	1994 → 1997	FDB2018	FDB659
TT 600 RE	600	2004 →	FDB2018	FDB2005
TT-R 600 R	600	2000 → 2003	FDB2018	FDB2005
XJ 600 RADIAN	600	1984 → 1991 (x2)	FDB337	FDB337
XJ 600 S	600	1992 → 1997	FDB781	FDB386
XJ 600 S	600	1998 → 2003	FDB2003	FDB386
XJ6-F Diversion 600 (Non ABS&ABS models)	600	2010 → 2013 (x2)	FDB2003	FDB531

* It is recommended that in those applications where sintered pads are supplied as Original Equipment, replacement pads should also be of sintered composition.

** To avoid brake imbalance sintered pads fitted in rear calipers should only be used in combination with front calipers containing sintered pads.



CC FROM → TO



NOTES



NOTES

...YAMAHA

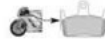
XJ6-F Diversion 600 (Non ABS&ABS models)	600	2013	→	(x2)	FDB2003	FDB754
XJ6-N Diversion 600 (Non ABS&ABS models)	600	2009	→	2013	(x2) FDB2003	FDB531
XJ6-N Diversion 600 (Non ABS&ABS models)	600	2013	→	(x2)	FDB2003	FDB754
XJ6-S Diversion 600 (Non ABS&ABS models)	600	2009	→	2013	(x2) FDB2003	FDB531
XJ6-S Diversion 600 (Non ABS&ABS models)	600	2013	→	(x2)	FDB2003	FDB754
XJ6-SP Diversion 600 (NON ABS&ABS models)	600	2013	→	2013	(x2) FDB2003	FDB754
XT 600 4 VALVES	600	1984	→	1985	FDB311	FSB734
XT 600 4 VALVES	600	1986	→	1986	FDB583	FSB733
XT 600 4 VALVES	600	1987	→	1989	FDB583	FDB475
XT 600 E - K	600	1991	→	1994	FDB737	FDB383
XT 600 E - K	600	1995	→	2003	FDB737	FDB383
XT 600 Z TENERE	600	1983	→	1984	FDB311	FSB734
XT 600 Z TENERE	600	1985	→	1987	FDB583	FSB733
XT 600 Z TENERE	600	1988	→	1990	FDB583	FDB475
XT 600 Z TENERE	600	1991	→		FDB737	FDB383
YZF 600 R THUNDERCAT	600	1996	→	2003	(x2) FDB605	FDB337
YZF 600 R6	600	1999	→	2002	(x2) FDB605	FDB2083
YZF 600 R6	600	2003	→	2004	(x2) FDB605	FDB754
YZF 600 R6	600	2005	→	(x2)	FDB605	FDB754
KJ 650	650	1980	→	(x2)	FDB177	FSB765
XJ 650 TURBO	650	1983	→	(x2)	FDB311	FSB765
XS 650	650	1975	→	1976	(x2)	FSB735
XS 650	650	1977	→	1981	(x2) FDB177	FSB735
XS 650 SE	650	1979	→	1980	FDB177	FDB177
XS 650 SE	650	1981	→		FDB177	FSB735
XVS 650 A DRAG STAR CLASSIC	650	1998	→		FDB781	FSB765
XVS 650 DRAG STAR	650	1997	→		FDB781	FSB765
MT-03 660	660	2008	→	(x2)	FDB2003	FDB2005
MT-03 660	660	2008	→	(x2)	FDB2003	FDB2005
SZR 660	660	1996	→	1997	FRP408	FDB207
XT 660 R	660	2004	→		FDB2006	FDB2005
XT 660 X Supermoto	660	2004	→		FDB2042	FDB2005
XT 660 Z TENERE (Non ABS)	660	2008	→	(x2)	FDB2018	FDB2005
XT 660 ZA TENERE (ABS)	660	2011	→	2011	(x2) FDB2018	FDB2005
XTZ 660 TENERE	660	1991	→	1998	FDB737	FDB383
MT-07 (No ABS)	700	2014	→	(x2)	FDB605	FDB754
MT-07 ABS	700	2014	→	(x2)	FDB605	FDB754
MT-07 Motocage ABS	700	2015	→	(x2)	FDB605	FDB754
FZ 750	750	1985	→	1986	(x2) FDB337	FDB337
FZ 750 GENESIS	750	1987	→	1988	(x2) FDB337	FDB337
FZR 750 (O W01)	750	1989	→	1991	(x2) FDB557	FDB337
FZR 750 GENESIS	750	1987	→	(x2)	FDB662	FDB337
FZX 750	750	1987	→	(x2)	FDB337	FDB337
XJ 750	750	1982	→	1984	FDB277	FSB765
XJ 750 F	750	1984	→	(x2)	FDB337	FDB337
XS 750	750	1977	→	1979	(x2) FDB177	FDB177
XS 750 SE - SG	750	1979	→	1980	FDB247	FDB177
XTZ 750 SUPER TENERE (left)	750	1989	→	(x2)	FDB497	
XTZ 750 SUPER TENERE (right)	750	1989	→	(x2)	FDB631	FDB631
XV 750	750	1989	→	1993	(x2) FDB337	FSB769
XV 750 SE	750	1981	→		FDB247	FSB769
XV 750 VIRAGO	750	1992	→	1993	(x2) FDB337	FSB769
XV 750 VIRAGO	750	1994	→	1997	(x2) FDB781	FSB765
YZF 750 R7 (OW02)	750	1999	→	2001	(x2) FDB605	FDB2084
YZF 750 RR-SP	750	1993	→	1998	(x2) FDB864	FDB337
FAZER 8 (NO ABS/ABS)	800	2011	→	(x2)	FDB605	FDB754
FZ8 ABS	800	2011	→	(x2)	FDB605	FDB754
FZ8 NO ABS	800	2011	→	(x2)	FDB605	FDB754
MT-09 (No ABS)	850	2014	→	(x2)	FDB605	FDB754
MT-09 ABS	850	2014	→	(x2)	FDB605	FDB754
MT-09 Sport Tracker ABS	850	2015	→	(x2)	FDB605	FDB754
MT-09 SR ABS	850	2014	→	(x2)	FDB605	FDB754
MT-09 Tracer ABS	850	2015	→	(x2)	FDB605	FDB754
TDM 850	850	1991	→	1995	(x2) FDB449	FDB337
TDM 850	850	1996	→	2001	(x2) FDB662	FDB337
TRX 850	850	1995	→	1999	(x2) FDB449	FDB337
XS 850	850	2000	→	(x2)	FDB177	FDB177
XS 850 (left)	850	1980	→	1982	(x2) FDB247	FDB177
XS 850 (right)	850	1980	→	1982	(x2) FDB184	FDB177
TDM 900	900	2002	→	(x2)	FDB605	FDB2156
XJ 900	900	1983	→	1984	(x2) FDB337	FDB337
XJ 900 F	900	1985	→	1994	(x2) FDB337	FDB337

* It is recommended that in those applications where sintered pads are supplied as Original Equipment, replacement pads should also be of sintered composition.

** To avoid brake imbalance sintered pads fitted in rear calipers should only be used in combination with front calipers containing sintered pads.



CC FROM → TO



NOTES



NOTES

...YAMAHA

XJ 900 F DIVERSION	900	1995	→	(x2)	FDB662	FDB337
XJ 900 SECA DIVERSION	900	1995	→	2003	(x2) FDB781	FDB337
XV 950 (NO ABS&ABS)	950	2014	→		FDB781	FDB2156
XV 950 R ABS	950	2014	→		FDB781	FDB2156
XVS 950 (1XC1/ABS/Standard Rear Shocks)	950	2014	→		FDB781	FDB2156
XVS 950 (Non ABS/Standard Rear Shocks)	950	2014	→		FDB781	FDB2156
XVS 950 A Midnight Star	950	2009	→	2013	FDB781	FDB2156
XVS 950 R (2DE/Remote Reservoir Rear Shocks)	950	2014	→		FDB781	FDB2156
FZ1 1000 (NO ABS/ABS)	1000	2006	→	(x2)	FDB605	FDB754
FZ1 1000 Fazer (NO ABS/ ABS)	1000	2006	→	(x2)	FDB605	FDB754
FZR 1000 EX-UP	1000	1991	→	1993	(x2) FDB637	FDB337
FZR 1000 GENESIS - EX-UP	1000	1986	→	1988	(x2) FDB449	FDB337
FZR 1000 GENESIS - EX-UP	1000	1994	→	1995	(x2) FDB864	FDB337
FZR 1000 R	1000	1994	→	1995	(x2) FDB864	FDB337
FZR 1000 R - EX-UP	1000	1989	→	1990	(x2) FDB666	FDB337
FZS 1000 FAZER	1000	2001	→	2005	(x2) FDB605	FDB2150
GTS 1000	1000	1993	→	1999		FDB337
XV 1000 SE MIDNIGHT SPECIAL	1000	1983	→		FDB277	FSB765
XV 1000 TR 1	1000	1981	→	(x2)	FDB177	FSB765
XV 1000 VIRAGO	1000	1986	→	1988	(x2) FDB337	FSB765
YZF 1000 R1	1000	1998	→	2001	(x2) FDB605	FDB2084
YZF 1000 R1	1000	2002	→	2003	(x2) FDB605	FDB2083
YZF 1000 R1	1000	2004	→	2006	(x2) FDB605	FDB754
YZF 1000 R1	1000	2007	→	(x2)	FDB2217	FDB754
YZF 1000 R1	1000	2015	→	(x2)	FDB605	FDB2221
YZF 1000 R1M	1000	2015	→	(x2)	FDB605	FDB2221
YZF 1000 THUNDERACE	1000	1996	→	2001	(x2) FDB605	FDB337
BT 1100 BULLDOG	1100	2002	→	(x2)	FDB605	FDB337
FJ 1100 J	1100	1984	→	1985	(x2) FDB337	FDB337
XS 1100	1100	1978	→	1980	(x2) FDB177	FDB177
XS 1100 S	1100	1981	→	(x2)	FDB277	FDB177
XV 1100 VIRAGO	1100	1989	→	1993	(x2) FDB337	FSB765
XV 1100 VIRAGO	1100	1994	→	1998	(x2) FDB781	FSB765
XVS 1100 DRAG STAR / CLASSIC	1100	1999	→	(x2)	FDB2003	FDB337
FJ 1200	1200	1986	→	1987	(x2) FDB337	FDB337
FJ 1200	1200	1988	→	1989	(x2) FDB662	FDB337
FJ 1200	1200	1999	→	(x2)	FDB2003	FDB337
FJ 1200 ABS	1200	1991	→	1995	(x2) FDB662	FDB337
FJ 1200 W - WC	1200	1989	→	1991	(x2) FDB449	FDB337
XJR 1200	1200	1994	→	(x2)	FDB662	FDB337
XJR 1200	1200	1995	→	1998	(x2) FDB2042	FDB337
XT 1200 Z ABS (Supertenere)	1200	2010	→	(x2)	FDB605	FDB2156
XT 1200 ZE ABS (Supertenere)	1200	2014	→	(x2)	FDB605	FDB2156
XVZ 1200 12 T TD	1200	1985	→	1987	(x2) FDB337	FDB337
YMX 1200 12N V - MAX	1200	1993	→	2003	(x2) FDB666	FDB337
YMX 1200 12N V - MAX	1200	2000	→	(x2)	FDB337	FDB337
FJR 1300	1300	2001	→	2002	(x2) FDB605	FDB2126
FJR 1300/FJR 1300 A	1300	2003	→	2005	(x2) FDB605	FDB2156
FJR 1300A (ABS - 4 pad Front caliper)	1300	2006	→	(x2)	FDB2085	FDB2156
FJR 1300AE (ABS - Electronic suspension adj)	1300	2015	→	(x2)	FDB2085	FDB2156
FJR 1300AS (ABS - Electric gearshift)	1300	2006	→	(x2)	FDB2085	FDB2156
XJR 1300	1300	2001	→	(x2)	FDB605	FDB2150
XJR 1300	1300	2015	→	(x2)	FDB605	FDB337
XJR 1300 SP	1300	1999	→	2001	(x2) FDB605	FDB337
XJR1300 Racer	1300	2015	→	(x2)	FDB605	FDB337
XVS 1300 A cfd Midnight Star	1300	2014	→	(x2)	FDB2003	FDB2156
XVS 1300 A Midnight Star	1300	2007	→	(x2)	FDB2003	FDB2156
XVS 1300 A Midnight Star Custom	1300	2014	→		FDB781	FDB2156
XVZ 1300 AH/ATH ROYAL STAR	1300	1996	→	2001	(x2) FDB662	FDB449
XVZ 1300 TF VENTURE STAR	1300	1999	→	2001	(x2) FDB781	FDB449
XV 1600 A WILD STAR	1600	1999	→	(x2)	FDB781	FDB449
MT-01 1670	1670	2005	→	2006	(x2) FDB605	FDB570
MT-01 1670	1670	2007	→	(x2)	FDB2217	FDB570
V-MAX	1680	2008	→	(x2)	FDB2217	FDB2156
XV 1700 ROYAL STAR WARRIOR	1700	2002	→	(x2)	FDB605	FDB2156
XV 1900 A cfd Midnight Star	1900	2014	→	(x2)	FDB2085	FDB2156
XV 1900 A Midnight Star	1900	2006	→	2012	(x2) FDB605	FDB2156
XV 1900 A Midnight Star	1900	2013	→	(x2)	FDB2085	FDB2156

* It is recommended that in those applications where sintered pads are supplied as Original Equipment, replacement pads should also be of sintered composition.

** To avoid brake imbalance sintered pads fitted in rear calipers should only be used in combination with front calipers containing sintered pads.

**CC FROM → TO****NOTES****NOTES****ZUNDAPP**

KS 50 SPORT	50	→	FDB213	FSB835
KS 50 SUPER SPORT	50	→	FDB213	FSB835
K 80	80	1980 →	FDB205	
KS 80	80	1980 →	FDB205	
KS 80 SUPER	80	1980 →	FDB207	
KS 80 TOURING K	80	1982 →	FDB436	
KS 80 TOURING L	80	1982 →	FDB436	
KS 100	100	→	FDB213	FSB835
KS 125	125	1980 →	FDB205	
KS 125	125	1982 →	FDB108	
KS 175	175	1982 →	FDB108	
SUPER COMBINETTE 429	429	→	FSB836	FSB836
SUPER COMBINETTE 433	433	→	FSB836	FSB836
FALCONETTE 435	435	→	FSB836	FSB836
KS 50 500	500	→	FSB836	FSB836
KS 75 500	500	→	FSB836	FSB836

ZUNDAPP

* It is recommended that in those applications where sintered pads are supplied as Original Equipment, replacement pads should also be of sintered composition.

** To avoid brake imbalance sintered pads fitted in rear calipers should only be used in combination with front calipers containing sintered pads.

1090

FERODO™

MOTORCYCLE PADS



ATV/Snowmobile Applications

FERODO™

MOTORCYCLE PADS



CC FROM -> TO



NOTES



NOTES

ADLY ATV

300 Utility	300	2006	-	(x2)	FDB313	FDB313
Interceptor 300	300	2006	-	(x2)	FDB313	FDB313

ARCTIC CAT ATV

F-series Diamond Drive		2005	-		FDB2214	
50 DVX (4T)	50	2006	- 2008	(x2)	FSB753	FDB2096
50 Utility	50	2006	- 2008	(x2)	FSB753	FDB2096
50-Y6 Youth (2T)	50	2004	- 2006	(x2)	FSB753	FSB760
90 DVX	90	2006	- 2010	(x2)	FSB753	FDB2096
90 DVX SE	90	2009	-	(x2)	FSB753	FDB2096
90 DVX SE	90	2009	-	(x2)	FSB753	FDB2096
90 Reverse Gear Model	90	2010	- 2012	(x2)	FSB753	FDB2096
90 Utility (2 x 4)	90	2006	- 2010	(x2)	FSB753	FDB2096
90-Y12 Youth (2T-4T)	90	2002	- 2005	(x2)	FSB753	FSB966
150 Utility 2x4	150	2009	- 2010	(x2)	FSB753	FDB2096
250 (2x4/4x4)	250	1999	- 2004	(x2)	FDB2175	FDB2175
250 DVX	250	2006	- 2008	(x2)	FDB2184	FDB2141
250 Utility 2 x 4	250	2006	- 2009	(x2)	FDB2184	FDB2184 (x2)
300 (2x4/4x4)	300	1998	- 2004	(x2)	FDB2175	FDB2175
300 DVX	300	2009	- 2010	(x2)	FDB2184	FDB2141 (x2)
375 (Auto)	375	2001	-	(x2)	FDB2175	FDB2175
400 (2x4/4x4)	400	1998	- 2004	(x2)	FDB2175	FDB2175
400 DVX	400	2004	- 2008	(x2)	FDB381	FDB2016
440 (4x4)	440	2002	- 2003	(x2)	FDB2175	FDB2175
BEAR CAT 450 (2x4/4x4)	450	1996	- 1997	(x2)	FDB2175	FDB2175
BEAR CAT 454 (2x4/4x4)	454	1996	- 2000	(x2)	FDB2175	FDB2175
500 (4x4,Manual,Auto)	500	1998	- 2004	(x2)	FDB2175	FDB2175
650 H1 4 X 4 Auto LE Utility	650	2007	-	(x2)	FDB2175	FDB2175

BOMBARDIER ATV

DS 50 (2 STROKE)	50	2002	- 2006	(x2)	FSB753	FSB713
QUEST 50	50	2003	- 2004	(x2)	FSB753	FSB713
DS 90 (2 STROKE / 4 STROKE)	90	2002	- 2006	(x2)	FSB753	FSB713
QUEST 90 (2 STROKE / 4 STROKE)	90	2003	- 2004	(x2)	FSB753	FSB713
RALLY 200	200	2003	- 2007	(x2)	FDB313	
DS 250	250	2006	- 2007	(x2)	FDB2184	FDB2184
OUTLANDER 330 HO (left)	330	2004	- 2005		FDB2148	FDB2148
OUTLANDER 330 HO (right)	330	2004	- 2005		FDB2149	
Outlander 400 (STD/MAX HO) (Right)	400	2003	- 2006		FDB2149	
Outlander 400 (STD/MAX HO) Left	400	2003	- 2006		FDB2148	FDB2148
QUEST 500 (2x4/4x4) (left)	500	2002	- 2004		FDB2148	FDB2149
QUEST 500 (2x4/4x4) (right)	500	2002	- 2004		FDB2149	
TRAXTER 500 (4x4/XL/Autoshift)	500	1999	- 2001	(x2)	FDB2074	FDB2074
TRAXTER 500 (4x4/XL/Autoshift) (left)	500	2001	- 2005		FDB2148	FDB2149
TRAXTER 500 (4x4/XL/Autoshift) (right)	500	2001	- 2005		FDB2149	
DS 650 (BAJA/X) (left)	650	2000	- 2006		FDB2148	FDB2148
DS 650 (BAJA/X) (right)	650	2000	- 2006		FDB2149	
Outlander 650 HO Efi (4x4/XT/Max) (Left)	650	2006	-		FDB2148	FDB2148
Outlander 650 HO Efi (4x4/XT/Max) (Right)	650	2006	-		FDB2149	
Quest 650 (2x4/4x4/XT/Max) (Left)	650	2002	- 2005		FDB2148	FDB2149
Quest 650 (2x4/4x4/XT/Max) (Right)	650	2002	- 2005		FDB2149	
TRAXTER 650 (Max/XT-4x4/Footshift) (Left)	650	2001	- 2005		FDB2148	FDB2149
TRAXTER 650 (Max/XT-4x4/Footshift) (Right)	650	2001	- 2005		FDB2149	
Traxter 650 (XT-4x4/Footshift)	650	2000	-	(x2)	FDB2074	FDB2074
Outlander 800 (All models) (Left)	800	2006	-		FDB2148	FDB2148
Outlander 800 (All models) (Right)	800	2006	-		FDB2149	
TRAXTER 1000 XL (Left)	1000	2004	-		FDB2148	FDB2149
TRAXTER 1000 XL (Right)	1000	2004	-		FDB2149	

CAN AM ATV

Spyder RS (Brembo Calipers)		2013	-	(x2)	FDB2265	
Spyder RS-S (Brembo Calipers)		2013	-	(x2)	FDB2265	
Spyder RT (3 Cyl Eng/6 Speed)		2014	-	(x2)	FDB2265	
Spyder RT (Brembo Calipers)		2013	-	(x2)	FDB2265	
Spyder RT - LTD (3 Cyl Eng/6 Speed)		2014	-	(x2)	FDB2265	
Spyder RT - LTD (Brembo Calipers)		2013	-	(x2)	FDB2265	
Spyder RT-S (3 Cyl Eng/6 Speed)		2014	-	(x2)	FDB2265	

* It is recommended that in those applications where sintered pads are supplied as Original Equipment, replacement pads should also be of sintered composition.

** To avoid brake imbalance sintered pads fitted in rear calipers should only be used in combination with front calipers containing sintered pads.

2000



CC

FROM → TO



NOTES



NOTES

...CAN AM ATV

Spyder RT-S (Brembo Calipers)	2013	→	(x2)	FDB2265		
Spyder ST (Brembo Calipers)	2013	→	(x2)	FDB2265		
Spyder ST - S (Brembo Calipers)	2013	→	(x2)	FDB2265		
Spyder ST -LTD (Brembo Calipers)	2013	→	(x2)	FDB2265		
DS 70 (2x4/4T) Mini	70	2008	→	(x2) FSB753		FSB966
DS 90 Mini 4 Stroke	90	2007	→	(x2) FSB753		FSB713
DS 90 X (2x4/4T)	90	2008	→ 2010	(x2) FDB313		FDB313
Rally 200	200	2007	→	(x2) FDB313		FDB2148
DS 250	250	2007	→ 2009	(x2) FDB2184		FDB2184
Outlander 400 (STD/XT/EFI 4x4) (Left)	400	2007	→ 2010	FDB2148		FDB2148
Outlander 400 (STD/XT/EFI 4x4) (Right)	400	2007	→ 2010	FDB2149		
Outlander Max 400 (STD/XT 4x4) (Left)	400	2007	→ 2010	FDB2148		FDB2148
Outlander Max 400 (STD/XT 4x4) (Right)	400	2007	→ 2010	FDB2149		
DS 450 (2x4/EFI)	450	2008	→ 2012	FDB2271		FDB2272
DS 450 X (2x4/EFI)	450	2008	→ 2009	FDB2271		FDB2272
DS 450 Xxc/Xxm	450	2009	→ 2012	FDB2271		FDB2272
Outlander 500 (STD/XT 4x4) (Left)	500	2007	→ 2010	FDB2148		FDB2148
Outlander 500 (STD/XT 4x4) (Right)	500	2007	→ 2010	FDB2149		
Outlander 500 4 x 4 (STD/DPS/XT) - left side	500	2013	→	FDB2274		
Outlander 500 4 x 4 (STD/DPS/XT) - right side	500	2013	→	FDB2273		FDB2273
Outlander Max 500 (STD/XT 4x4) (Left)	500	2007	→ 2010	FDB2148		FDB2148
Outlander Max 500 (STD/XT 4x4) (Right)	500	2007	→ 2010	FDB2149		
Outlander Max 500 4 x 4 (STD/DPS/XT) - left side	500	2013	→	FDB2274		
Outlander Max 500 4 x 4 (STD/DPS/XT) - right side	500	2013	→	FDB2273		FDB2273
Renegade 500 (4x4/EFI) (Left)	500	2008	→ 2010	FDB2148		FDB2148
Renegade 500 (4x4/EFI) (Right)	500	2008	→ 2010	FDB2149		
Renegade 500 (STD) - left side	500	2012	→ 2013	FDB2274		
Renegade 500 (STD) - right side	500	2012	→ 2013	FDB2273		FDB2273
DS 650 X (Left)	650	2007	→	FDB2148		FDB2148
DS 650 X (Right)	650	2007	→	FDB2149		
Outlander 650 (STD/XT 4x4) (Left)	650	2007	→ 2010	FDB2148		FDB2148
Outlander 650 (STD/XT 4x4) (Right)	650	2007	→ 2010	FDB2149		
Outlander 650 4 x 4 (STD/DPS/XT) - left side	650	2013	→	FDB2274		
Outlander 650 4 x 4 (STD/DPS/XT) - right side	650	2013	→	FDB2273		FDB2273
Outlander Max 650 (STD/XT 4x4) (Left)	650	2007	→ 2010	FDB2148		FDB2148
Outlander Max 650 (STD/XT 4x4) (Right)	650	2007	→ 2010	FDB2149		
Outlander 800 (STD/XT 4x4) (Left)	800	2007	→ 2008	FDB2148		FDB2148
Outlander 800 (STD/XT 4x4) (Right)	800	2007	→ 2008	FDB2149		
Outlander 800 R (EFI/XT) (Left)	800	2009	→ 2010	FDB2148		FDB2148
Outlander 800 R (EFI/XT) (Right)	800	2009	→ 2010	FDB2149		
Outlander 800 R 4 x 4 (STD/DPS/XT/XT-P)-left side	800	2013	→	FDB2274		
Outlander 800 R 4 x 4 (STD/DPS/XT/XT-P)-right side	800	2013	→	FDB2273		FDB2273
Outlander 800 R STD - left side	800	2012	→	FDB2274		
Outlander 800 R STD - right side	800	2012	→	FDB2273		FDB2273
Outlander 800 R XT - left side	800	2012	→ 2013	FDB2274		
Outlander 800 R XT - right side	800	2012	→ 2013	FDB2273		FDB2273
Outlander Max 800 (Ltd/STD/XT 4x4) (Left)	800	2007	→ 2008	FDB2148		FDB2148
Outlander Max 800 (Ltd/STD/XT 4x4) (Right)	800	2007	→ 2008	FDB2149		
Outlander Max 800 R (EFI/XT) (Left)	800	2009	→ 2010	FDB2148		FDB2148
Outlander Max 800 R (EFI/XT) (Right)	800	2009	→ 2010	FDB2149		
Renegade 800 (4x4/EFI) (STD/X) (Left)	800	2007	→ 2008	FDB2148		FDB2148
Renegade 800 (4x4/EFI) (STD/X) (Right)	800	2007	→ 2008	FDB2149		
Renegade 800 R (EFI/X) (Left)	800	2009	→ 2010	FDB2148		FDB2148
Renegade 800 R (EFI/X) (Right)	800	2009	→ 2010	FDB2149		
Renegade 800 R STD - left side	800	2012	→ 2013	FDB2274		
Renegade 800 R STD - right side	800	2012	→ 2013	FDB2273		FDB2273
Renegade 800 R Xxc - left side	800	2012	→ 2013	FDB2274		FDB2274
Renegade 800 R Xxc - right side	800	2012	→ 2013	FDB2273		FDB2273
Outlander 1000 4 x 4 (DPS/XT/XT-P) - left side	1000	2013	→	FDB2274		
Outlander 1000 4 x 4 (DPS/XT/XT-P) - right side	1000	2013	→	FDB2273		FDB2273
Outlander 1000 4 x 4 (LTD) - left side	1000	2013	→	FDB2274		
Outlander 1000 4 x 4 (LTD) - right side	1000	2013	→	FDB2273		FDB2273
Outlander 1000 4 x 4 (XMR) - left side	1000	2013	→	FDB2274		
Outlander 1000 4 x 4 (XMR) - right side	1000	2013	→	FDB2273		FDB2273
Outlander 1000 STD - left side	1000	2012	→ 2013	FDB2274		FDB2274
Outlander 1000 STD - right side	1000	2012	→ 2013	FDB2273		FDB2273
Outlander 1000 XT - left side	1000	2013	→	FDB2274		FDB2274
Outlander 1000 XT - right side	1000	2013	→	FDB2273		FDB2273
Outlander Max 1000 4 x 4 (DPS/XT/XT-P) - left side	1000	2013	→	FDB2274		
Outlander Max 1000 4 x 4 (DPS/XT/XT-P)-right side	1000	2013	→	FDB2273		FDB2273
Renegade 1000 STD - left side	1000	2013	→	FDB2274		FDB2274
Renegade 1000 STD - right side	1000	2013	→	FDB2273		FDB2273

* It is recommended that in those applications where sintered pads are supplied as Original Equipment, replacement pads should also be of sintered composition.

** To avoid brake imbalance sintered pads fitted in rear calipers should only be used in combination with front calipers containing sintered pads.



CC

FROM → TO



NOTES



NOTES

CAN AM ATV

Renegade 1000 Xxc - left side	1000	2013	→	FDB2274	FDB2274
Renegade 1000 Xxc - right side	1000	2013	→	FDB2273	FDB2273

CANNONDALE ATV

CANNIBAL 400 BLACK / SILVER (left)	400	2002	→ 2003	FDB2148	FDB2148
CANNIBAL 400 BLACK / SILVER (right)	400	2002	→ 2003	FDB2149	
FX 400 (left)	400	2001	→	FDB2149	
FX 400 (right)	400	2001	→	FDB2148	FDB2148
BLAZE 440 (left)	440	2002	→ 2003	FDB2148	FDB2148
BLAZE 440 (right)	440	2002	→ 2003	FDB2149	
GLAMIS 440 (left)	440	2003	→	FDB2148	FDB2148
GLAMIS 440 (right)	440	2003	→	FDB2149	
MOTO 440 (left)	440	2002	→ 2003	FDB2148	FDB2148
MOTO 440 (right)	440	2002	→ 2003	FDB2149	
SPEED 440 (left)	440	2002	→ 2003	FDB2148	FDB2148
SPEED 440 (right)	440	2002	→ 2003	FDB2149	

CFMOTO

CF 500(Terracross) Left	500	2011	→ 2012	FDB631	FDB2193
CF 500(Terracross) Right	500	2011	→ 2012	FDB497	
CF 500-3 (Rancher 500 Side x Side) Left	500	2010	→ 2012	FDB631	FDB2193
CF 500-3 (Rancher 500 Side x Side) Right	500	2010	→ 2012	FDB497	
CF 625 - B/C (X6 Terranlander)	625	2011	→ 2012 (x2)		FDB2193
CF 625-3 (Z6 Terracross) Left	625	2011	→ 2012	FDB631	FDB2193
CF 625-3 (Z6 Terracross) Right	625	2011	→ 2012	FDB497	
CF 800-2 (Terranlander)	800	2012	→ (x2)		FDB2193

CPI ATV

250 XS	250	2006	→	FDB2184	FDB631
--------	-----	------	---	---------	--------

DINLI ATV

Diamond Back 90	90	2006	→		FDB313
-----------------	----	------	---	--	--------

E-TON ATV

IXL 40 Rascal	40	1998	→ 2001		FSB713
RXL-40E Viper Junior	40	2001	→ 2006		FSB713
Viper 40 E	40	1999	→ 2008		FSB713
AXL 50 Lightning 50	50	1999	→ 2000 (x2)	FSB756	
BXL-50 Draco	50	2005	→ 2006 (x2)	FSB756	FDB313
NXL 50 Lightning 50	50	2001	→ 2002 (x2)	FSB756	
TXL 50 Wizz 50	50	1998	→ 1999 (x2)	FSB756	
Viper 50 Mini RXL 50 M (4T)	50	2003	→ 2007		FDB313
Viper 50 RXL 50	50	2003	→ 2007		FDB313
Viper 70 RLX 70/70M (2T/4T)	70	2005	→ 2009 (x2)	FSB756	FDB313
AXL 90 Thunder	90	1999	→ 2000 (x2)	FSB756	FSB713
DXL-90 Sierra	90	1999	→ 2003 (x2)	FSB727	FSB713
NXL 90 Thunder	90	2001	→ 2002 (x2)	FSB756	FSB713
RXL 90 R Viper 90 R Reverse (2T/4T)	90	2003	→ 2009 (x2)	FSB756	FDB313
RXL 90 Viper 90	90	2003	→ 2006 (x2)	FSB756	FDB313
BXL 100 Draco	100	2005	→ 2006 (x2)	FSB756	FDB313
CXL 150 Yukon II/Challenger	150	2002	→ 2009 (x2)	FSB704	FDB631
RXL 150 Viper	150	2005	→ 2006 (x2)	FSB704	FDB631
RXL 150 Viper R	150	2005	→ 2009 (x2)	FSB704	FDB631
Viper EXL 150 ST Quad	150	2005	→ 2006 (x2)	FDB313	FSB713
Yukon ELX 150	150	2005	→ 2006 (x2)	FDB313	FSB713
YXL 150 Yukon	150	2000	→ 2002 (x2)	FSB704	FSB713
Vector VXL 250 ST Quad	250	2006	→ 2009 (x2)	FDB313	FDB313

GASGAS ATV

WILD HP 50	50	2002	→ 2005 (x2)	FDB2018	FDB2018
HP 125	125	2007	→ 2008 (x2)	FDB2018	FDB2018
HP 200	200	2008	→ (x2)	FDB2018	FDB2018

* It is recommended that in those applications where sintered pads are supplied as Original Equipment, replacement pads should also be of sintered composition.

** To avoid brake imbalance sintered pads fitted in rear calipers should only be used in combination with front calipers containing sintered pads.

2002



CC

FROM → TO



NOTES



NOTES

...GASGAS ATV

WILD HP 240	240	2002 → 2005	(x2)	FDB2018	FDB2018
WILD HP 250	250	2008 →	(x2)	FDB2018	FDB2018
HP 300 RV	300	2006 →	(x2)	FDB2018	FDB2018
WILD HP 300	300	2002 → 2005	(x2)	FDB2018	FDB2018
WILD HP 450	450	2002 → 2008	(x2)	FDB2018	FDB2018
WILD HP 515	515	2009 →	(x2)	FDB2018	FDB2018

GILERA

FUOCO 500 RC/ie	500	2007 →	(x2)	FDB2057	FDB2142
-----------------	-----	--------	------	---------	---------

HONDA 3 WHEELERS

ATC 70	70	1976 → 1977			FSB704
ATC 70	70	1978 → 1985			FSB706
ATC 90	90	1973 → 1978			FSB760
ATC 110	110	1979 → 1985			FSB760
ATC 125	125	1984 → 1987		FSB704	FSB760
ATC 185	185	1980 → 1983		FSB704	FSB760
ATC 200 (Drum Brake)	200	1981 → 1986		FSB704	FSB760
ATC 200 X (Disc Brake)	200	1983 → 1987		FDB381	FDB381
ATC 250 R	250	1981 → 1982		FDB250	FSB760
ATC 250 R	250	1983 → 1984		FDB381	FDB381
ATC 250 R	250	1985 → 1986		FDB382	FDB382
ATC 250 SX / ES BIG RED	250	1985 → 1987		FSB760	FSB742
ATC 350 X	350	1985 → 2000		FDB382	FDB381
ATC 350 X	350	1986 → 2000		FDB495	FDB381

HONDA ATV

TRX 70 Fourtrax	70	1986 → 1987	(x2)	FSB753	FSB713
TRX 90 (Fourtrax/Sportrax/EX/X)	90	1993 → 2009	(x2)	FSB704	FSB760
TRX 125 Fourtrax	125	1985 → 1988	(x2)	FSB704	FSB760
TRX 200 (Fourtrax/SX Fourtrax/D Type II Fourtrax)	200	1986 → 1998	(x2)	FSB945	FSB760
TRX 200 Fourtrax	200	1984 →	(x2)	FSB925	FSB760
FL 250 ODYSSEY	250	1977 → 1984	(x2)		FSB760
TRX 250 D RECON/TE-TEA Recon ES/TM-TMA Recon	250	1997 → 2010	(x2)	FSB945	FSB755
TRX 250 Drum Brake	250	1985 → 1987	(x2)	FSB925	FSB742
TRX 250 EX Fourtrax/Sportrax/X/XA	250	2001 → 2010	(x2)	FDB381	FSB755
TRX 250 Fourtrax	250	1985 → 1987	(x2)	FSB925	FSB742
TRX 250 R Fourtrax	250	1986 → 1989	(x2)	FDB495	FDB382
TRX 250 X Fourtrax	250	1987 → 1992	(x2)	FDB381	FDB381
TRX 300 (2WD) Fourtrax	300	1988 → 2000	(x2)	FSB945	FSB742
TRX 300 (4WD) FW Fourtrax	300	1988 → 2000	(x2)	FSB931	FSB742
TRX 300 EX Fourtrax	300	1993 → 2008	(x2)	FDB381	FDB381
TRX 300 X	300	2009 →	(x2)	FDB381	FDB381
FL 350 R ODYSSEY	350	1985 → 1990	(x2)	FSB925	
TRX 350 TM/TE/FE/FM Fourtrax Rancher	350	2000 → 2007	(x2)	FSB931	FSB946
TRX 350/TRX 350D Fourtrax/Foreman	350	1986 → 1989	(x2)	FSB944	FSB761
FL 400 R Pilot	400	1989 → 1990	(x2)	FSB925	
TRX 400 Fourtrax Rancher	400	2004 → 2007	(x2)	FSB931	FSB946
TRX 400 EX Fourtrax/Sportrax	400	1999 → 2008	(x2)	FDB381	FDB381
TRX 400 FW / FM Fourtrax Foreman	400	1995 → 2003	(x2)	FDB381	FSB946
TRX 400 X	400	2009 →	(x2)	FDB381	FDB381
TRX 420 FA/FPA P.S. Fourtrax Rancher	420	2009 → 2010	(x2)	FDB381	FDB2182
TRX 420 FPE/FPM Fourtrax Rancher 4x4	420	2009 → 2010	(x2)	FDB381	FSB946
TRX 420 TM/TE/FE/FM Fourtrax Rancher	420	2007 → 2010	(x2)	FDB381	FSB946
TRX 450 FE/FM Fourtrax Foreman ES / S	450	1998 → 2004	(x2)	FSB931	FSB946
TRX 450 R/ER	450	2004 → 2009	(x2)	FDB892	FDB2182
TRX 500 FA Fourtrax Rubicon	500	2001 → 2004	(x2)	FSB931	FSB761
TRX 500 FA/FAA Fourtrax Foreman Rubicon	500	2005 → 2010	(x2)	FDB2195	FSB761
TRX 500 FGA Fourtrax Foreman Rubicon Gpscape	500	2001 → 2005	(x2)	FSB931	FSB761
TRX 500 FGA Fourtrax Foreman Rubicon Gpscape	500	2005 → 2009	(x2)	FDB2195	FSB761
TRX 500 FPA9 Fourtrax Foreman Rub. Gpscape EPS	500	2009 →	(x2)	FDB2195	FSB761
TRX 500 TM/FE/FA/FMA/FPE/FPM Fourtrax Foreman	500	2005 → 2010	(x2)	FDB2195	FSB761
TRX 650 FA Rincon / FGA Fourtrax Rincon Gpscape	650	2003 → 2005	(x2)	FSB931	FDB2182
TRX 680 Fourtrax Rincon	680	2006 → 2010	(x2)	FDB2195	FDB2182
TRX 680 Fourtrax Rincon Gpscape	680	2006 → 2009	(x2)	FDB2195	FDB2182
TRX 700 XX (8/XX9)	700	2008 → 2009	(x2)	FDB892	FDB2195

* It is recommended that in those applications where sintered pads are supplied as Original Equipment, replacement pads should also be of sintered composition.

** To avoid brake imbalance sintered pads fitted in rear calipers should only be used in combination with front calipers containing sintered pads.



CC

FROM → TO



NOTES



NOTES

HYOSUNG ATV

RAPIER 450 /S	450	2008	→	(x2)	FDB2016	FDB2016
TE 450 S	450	2007	→	2010	(x2) FDB250	FDB250

JOHN DEERE ATV

4PX Gator 4x2/4x4 4x4 Trail 9345		2004	→	2005	FDB2272	FDB2272
HPX 4 x2 (Petrol) Gator		2010	→	2011	FDB2272	FDB2272
HPX 4 x4 / 4 x 4 Trail (Petrol) - Gator		2010	→	2011	FDB2272	FDB2272
HPX 4x4 (Diesel) - Gator - (SN040000)		2010	→		FDB2272	FDB2272
HPX Gator 4x2/4x4 9446		2004	→	2008	FDB2272	FDB2272
TX Gator Utility 9461		2004	→	2005	FDB2272	FDB2272
TX Turf Gator 9462		2004	→	2005	FDB2272	FDB2272
Buck 500 EX (Left)	500	2004	→	2008	FDB2148	FDB2149
Buck 500 EX (Right)	500	2004	→	2008	FDB2149	
Trail Buck 500 EX (Left)	500	2004	→	2005	FDB2148	FDB2149
Trail Buck 500 EX (Right)	500	2004	→	2005	FDB2149	
Buck 650 EXT (Left)	650	2004	→	2008	FDB2148	FDB2149
Buck 650 EXT (Right)	650	2004	→	2008	FDB2149	
Trail Buck 650 EXT (Left)	650	2004	→	2005	FDB2148	FDB2149
Trail Buck 650 EXT (Right)	650	2004	→	2005	FDB2149	

KAWASAKI 3 WHEELERS

KLT 110 A1 / A2 / A3	110	1984	→	1986	FSB722	FSB721
KLT 160 A1	160	1985	→	2000	FSB722	FSB721
KLT 185 A1 / A2	185	1986	→	1987	FSB722	FSB721
KLT 200 All Models	200	1981	→	1984	FSB722	FSB799
KLT 250 All Models	250	1982	→	2000	FSB722	FSB799
KXT 250 A2 / B1 TECATE	250	1985	→	1986	FDB314	FDB314
KXT 250 B2 TECATE	250	1987	→	2000	(x2) FDB314	FDB381
KXT 250 TECATE	250	1984	→	2000	FSB799	FDB313

KAWASAKI ATV

KFX 50 / KSF 50	50	2007	→	2009	(x2) FSB756	FDB2096
KSF 50 / KFX 50	50	2003	→	2007	(x2) FSB727	FSB723
KSF 80 / KFX 80	80	2003	→	2006	(x2) FSB727	FSB776
KFX 90 / KSF 90	90	2007	→	2010	(x2) FSB756	FDB2096
KSF 90 / KFX 90	90	2006	→	2007	(x2) FSB727	FSB776
KLF 110 MOJAVE A / B	110	1987	→	1988	(x2) FSB722	FSB721
KLF 185 BAYOU A1 Series	185	1985	→	2000		FSB718
KLF 185 BAYOU A2 / A3 / A4	185	1986	→	1988	(x2) FSB799	FSB718
KLF 220 BAYOU A Series	220	1988	→	2002	(x2) FSB799	FSB718
KLF 250 BAYOU A Series	250	2003	→	2010	(x2) FSB799	FSB718
KSF 250 A8 - A9	250	1994	→	1995	(x2) FDB2013	FDB661
KSF 250 MOJAVE A Series	250	1987	→	2005	(x2) FDB2013	FDB381
KXF 250 Tecate	250	1987	→	1988	FDB2013	FDB381
KXF 250 Tecate	250	1989	→		(x2) FDB2013	FDB313
KEF 300 LAKOTA A Series, LAKOTA SPORT B Series	300	1995	→	2003	(x2) FDB2013	FDB381
KLF 300 BAYOU 4x4 C Series (left)	300	1989	→	2004	FDB497	FSB794
KLF 300 BAYOU 4x4 C Series (right)	300	1989	→	2004	FDB631	
KLF 300 BAYOU A Series	300	1986	→	1987	(x2) FSB932	FSB718 (x2)
KLF 300 BAYOU B Series	300	1988	→	2004	(x2) FDB314	FSB718 (x2)
KVF 300 PRAIRIE (2x4/4x4)	300	1999	→	2002	(x2) FDB250	FSB794
KVF 360 PRAIRIE (All Models)	360	2003	→	2010	(x2) FDB250	
KLF 400 BAYOU 4x4 B Series (left)	400	1993	→	1999	FDB497	FSB794
KLF 400 BAYOU 4x4 B Series (right)	400	1993	→	1999	FDB631	
KSF 400 / KFX 400	400	2004	→	2006	(x2) FDB381	FDB2016
KVF 400 PRAIRIE (2x4/4x4)	400	1997	→	2002	(x2) FDB381	FSB794
KFX 450 R (left)	450	2008	→	2012	FDB2188	FDB381
KFX 450 R (right)	450	2008	→	2012	FDB2080	
KSF 450 / KFX 450	450	2007	→		(x2) FDB381	FDB2016
KAF 300 (MULE 250 / 500 / 550 /520)	550	1992	→	2000	(x2) FSB934	
KVF 650 BRUTE FORCE (left)	650	2005	→	2007	FDB2188	
KVF 650 BRUTE FORCE (right)	650	2005	→	2007	FDB2080	
KVF 650 Brute Force 4X4i All models (Left)	650	2007	→	2008	FDB497	
KVF 650 Brute Force 4X4i All models (Right)	650	2007	→	2008	FDB631	
KVF 650 PRAIRIE (left)	650	2002	→	2003	FDB2188	
KVF 650 PRAIRIE (right)	650	2002	→	2003	FDB2080	
KFX 700 (left)	700	2004	→	2009	FDB2188	

* It is recommended that in those applications where sintered pads are supplied as Original Equipment, replacement pads should also be of sintered composition.

** To avoid brake imbalance sintered pads fitted in rear calipers should only be used in combination with front calipers containing sintered pads.

2004



CC FROM -> TO



NOTES



NOTES

...KAWASAKI ATV

KFX 700 (right)	700	2004	-	2009		FDB2080	
KRF 750 Teryx 4x4 All mod.(Left)-side by side	750	2008	-			FDB497	
KRF 750 Teryx 4x4 All mod.(Right)-side by side	750	2008	-			FDB631	
KVF 750 BRUTE FORCE All Models (left)	750	2005	-	2010		FDB497	
KVF 750 BRUTE FORCE All Models (right)	750	2005	-	2010		FDB631	

KEEWAY

Dragon 250 Quad	250	2007	-	2009	(x2)	FDB313	FDB250
-----------------	-----	------	---	------	------	---------------	---------------

KYMCO ATV

MAXXER 50	50	2005	-		(x2)	FSB753	FSB966
Mongoose 50 (2T)	50	2004	-	2008	(x2)	FSB753	FSB966
Mongoose 50 (4T) (Rear disc model)	50	2008	-	2009	(x2)	FSB753	FDB2096
MXer 50	50	2000	-	2007	(x2)	FSB704	FDB2096
MXU 50	50	2005	-	2013	(x2)	FSB704	FDB2096
Mongoose 70 (4T)	70	2007	-	2009	(x2)	FSB753	FDB2096
KXR 90 MONGOOSE	90	2002	-	2010	(x2)	FSB753	FDB2096
MAXXER 90	90	2005	-	2006	(x2)	FSB753	FDB2096
MXer 90	90	2004	-		(x2)	FSB756	FDB2096
MXU 150	150	2005	-	2012	(x2)	FSB704	FDB2096
KXR 250 MONGOOSE	250	2004	-	2009	(x2)	FDB2184	FDB2141
MXU 250	250	2004	-	2013	(x2)	FDB2184	FDB2141 (x2)
MXU 250 R	250	2012	-	2013	(x2)	FDB2184	FDB2184
URBAN 250	250	2006	-	2007	(x2)	FDB2184	FDB2141
MAXXER 300	300	2006	-	2013	(x2)	FDB2184	FDB2141
Mongoose 300	300	2006	-	2010	(x2)	FDB2184	FDB2141 (x2)
MXU 300	300	2006	-	2011	(x2)	FDB2184	FDB2184 (x2)
MXU 300 R	300	2010	-		(x2)	FDB2184	FDB2184 (x2)
MXU 400	400	2008	-	2011	(x2)	FDB2184	FDB2184 (x2)
MXU 400 Parking brake	400	2008	-	2011		FDB381	
MXU 500 (L70000/Carb Model/4x4)	500	2005	-	2013	(x2)	FDB2184	FDB2184 (x2)
MXU 500i DX Parking Brake	500	2012	-	2013		FDB2184	
MXU 500i IRS Parking Brake	500	2012	-	2013		FDB2184	
UXV 500 (Side x Side/4x4/U10000)	500	2008	-	2009	(x2)	FDB2184	FDB2184
UXV 500i (Side x Side/4x4/U10100)	500	2010	-		(x2)	FDB2184	FDB2184
MXU 550i (4x4 LoF) Parking Brake	550	2013	-			FDB2184	
MXU 550i Parking Brake	550	2012	-	2012		FDB2184	
MXU 700i (4X4 LoF) Parking Brake	700	2013	-			FDB2184	
UXV 700i (Turf) Parking Brake	700	2014	-			FDB2184	

LAVERDA ATV

QUASAR 400 4x4	400	2004	-		(x2)	FDB2175	FDB2175
QUASAR 500 4x4	500	2004	-		(x2)	FDB2175	

PGO ATV

Bugrider 50 (Buggie)	50	2006	-	2006	(x2)		FDB250
X Rider 50	50	2004	-	2005	(x2)		FDB313
XL-Rider 50	50	2007	-	2008			FDB313
X Rider 90	90	2004	-	2005	(x2)		FDB313
X Rider 110	110	2004	-	2005	(x2)		FDB313
Bugxter BR150 A	150	2005	-	2007	(x2)		FDB250
X Rider 150	150	2004	-	2005	(x2)	FSB756	FDB313
500 Bug	500	2008	-	2009	(x2)		FDB2184
500 Bug Parking brake	500	2008	-	2009		FDB2054	
BR 500i Racer	500	2007	-	2009	(x2)		FDB2184 (x2)
BR 600i Racer	600	2012	-	2012	(x2)		FDB2184 (x2)

POLARIS ATV

BIG BOSS (All middle axle brake models)		1989	-	1999	(x2)	FDB2055	
BIG BOSS (All standard models)		1989	-	1999	(x2)	FDB2055	FDB2054
MAGNUM (All models)		1999	-	2001	(x2)	FDB2055	FDB2121
MAGNUM (All models)		2002	-	2006	(x2)	FDB2055	FDB2176
Ranger 2x4/4x4 - side by side		2004	-	2005		FDB2236	FDB2236 (x2)
Ranger 6x6 - side by side		2004	-	2005	(x2)	FDB2236	FDB2236 (x2)

* It is recommended that in those applications where sintered pads are supplied as Original Equipment, replacement pads should also be of sintered composition.

** To avoid brake imbalance sintered pads fitted in rear calipers should only be used in combination with front calipers containing sintered pads.



CC FROM -> TO



NOTES



NOTES

...POLARIS ATV

Ranger EV (Electric) - side by side	2010	-	2011	(x2)	FDB2263	FDB2236 (x2)	
Ranger TM - side by side	2004	-		(x2)	FDB2236	FDB2236 (x2)	
Ranger XP - side by side	2005	-			FDB2236	FDB2236	
SCRAMBLER (3 wheeler)	1985	-	1986		FSB731		
SCRAMBLER (All Models)	1995	-	1997	(x2)	FDB2055	FDB2054	
SCRAMBLER (All Models)	1998	-	2004	(x2)	FDB2055	FDB2121	
SPORTSMAN (All Models)	1993	-	1997	(x2)	FDB2055	FDB2054	
TRAIL BOSS (All Models)	1988	-	1999	(x2)	FDB2055	FDB2054	
TRAIL BOSS (All Models)	2000	-	2004	(x2)	FDB2055	FDB2121	
TRAIL BOSS 2x4	1985	-	1987	(x2)	FSB731		
Outlaw 50	50	2007	-	2010	(x2)	FSB756	FSB966
PREDATOR 50	50	2004	-	2006	(x2)	FSB753	FSB966
Predator 50 (2 stroke)	50	2004	-	2006	(x2)	FSB756	FSB966
SCRAMBLER 50	50	2001	-	2006	(x2)	FSB753	FSB966
Outlaw 90	90	2007	-	2010	(x2)	FSB756	FSB966
PREDATOR 90	90	2003	-	2006	(x2)	FSB753	FSB966
SCRAMBLER 90	90	2001	-	2006	(x2)	FSB753	FSB966
SPORTSMAN 90	90	2001	-	2010	(x2)	FSB753	FSB966
Phoenix 200 (Rear disc model)	200	2005	-	2008	(x2)	FDB313	FDB313
PHOENIX 200 (Rear drum model)	200	2005	-	2010	(x2)	FDB313	FSB760
Sawtooth 200 (Rear disc model)	200	2006	-		(x2)	FDB313	FDB313
SAWTOOTH 200 (Rear drum model)	200	2006	-		(x2)	FDB313	FSB760
250 2x4/4x4	250	1990	-	1995	(x2)	FDB2055	FDB2054
CYCLONE 250 X	250	1987	-	2000	(x2)	FSB731	
TRAIL BLAZER 250	250	1990	-	1998	(x2)	FDB2055	FDB2054
TRAIL BLAZER 250	250	1999	-	2004	(x2)	FDB2055	FDB2121
TRAIL BLAZER 250	250	2005	-	2006	(x2)	FDB2055	FDB2176
XPLORER 250	250	2000	-		(x2)	FDB2055	FDB2121
300 2x4/4x4	300	1990	-	1995	(x2)	FDB2055	FDB2054
HAWKEYE 300 2x4	300	2006	-		(x2)	FDB2055	FDB2055
HAWKEYE 300 4x4	300	2007	-		(x2)	FDB2055	FDB2055 (x2)
Sportsman 300 4x4	300	2008	-	2010	(x2)	FDB2055	FDB2055
XPLORER 300	300	1996	-	2000	(x2)	FDB2055	FDB2054
Xpress L (All models)	300	1996	-	2000	(x2)	FDB2055	FDB2054
XPEDITION 325	325	2000	-	2001	(x2)	FDB2055	FDB2121
XPEDITION 325	325	2002	-		(x2)	FDB2055	FDB2176
ATP 330	330	2004	-	2005	(x2)	FDB2055	FDB2055
Trail Blazer 330	330	2008	-	2010	(x2)	FDB2055	FDB2176
TRAIL BOSS 330	330	2005	-	2010	(x2)	FDB2055	FDB2176
SPORTSMAN 335	335	1999	-	2000	(x2)	FDB2055	FDB2121
L 350 2x4/4x4	350	1990	-	1995	(x2)	FDB2055	FDB2054
Sportsman 350 4x4	350	1993	-		(x2)	FDB2055	FDB2054
TRAIL BOSS 350 (All Models)	350	1991	-	1993	(x2)	FDB2055	FDB2054
L 400 2x4/4x4	400	1990	-	1995	(x2)	FDB2055	FDB2054
Ranger 400 - side by side	400	2010	-		(x2)	FDB2263	FDB2236 (x2)
Sport 400	400	1994	-	1998	(x2)	FDB2055	FDB2054
Sport 400	400	1999	-	2000	(x2)	FDB2055	FDB2121
SPORTSMAN 400	400	2001	-	2002	(x2)	FDB2055	FDB2121
SPORTSMAN 400	400	2003	-	2005	(x2)	FDB2055	FDB2176
Sportsman 400 HO 4x4	400	2008	-	2010	(x2)	FDB2055	FDB2055 (x2)
XPLORER 400	400	1995	-	1998	(x2)	FDB2055	FDB2054
XPLORER 400	400	1999	-	2002	(x2)	FDB2055	FDB2121
MAGNUM 425 (All Models)	425	1995	-	1998	(x2)	FDB2055	FDB2054
XPEDITION 425	425	2000	-		(x2)	FDB2055	FDB2121
Outlaw 450 (All models)	450	2008	-	2010	(x2)		FDB2055
Sportsman 450	450	2006	-		(x2)	FDB2055	FDB2176
DIESEL 455	455	1999	-	2001	(x2)	FDB2055	FDB2121
ATP 500 H0	500	2004	-	2005	(x2)	FDB2055	FDB2055 (x2)
Outlaw 500	500	2006	-	2007	(x2)	FDB2055	FDB2055
PREDATOR 500	500	2003	-	2007	(x2)	FDB2055	FDB2055
Ranger 500 (2x4/4x4) - side by side	500	2006	-	2007	(x2)	FDB2236	FDB2236 (x2)
Ranger 500 (Carb) 2x4 -side by side	500	2009	-		(x2)	FDB2263	FDB2236 (x2)
Ranger 500 (EFI) 4x4 H.O. - side by side	500	2009	-	2011	(x2)	FDB2263	FDB2236 (x2)
Ranger 500 2x4 - side by side	500	2008	-		(x2)	FDB2263	FDB2236 (x2)
Ranger 500 4x4 EFI - side by side	500	2006	-	2007	(x2)	FDB2236	FDB2236 (x2)
Ranger 500 4x4 EFI - side by side	500	2008	-		(x2)	FDB2263	FDB2236 (x2)
Ranger 500 Crew - side by side	500	2011	-		(x2)	FDB2263	FDB2236 (x2)
SCRAMBLER 500 (All models)	500	2005	-	2010	(x2)	FDB2055	FDB2176
SPORTSMAN 500	500	1998	-	2002	(x2)	FDB2055	FDB2121
SPORTSMAN 500 6x6	500	2000	-	2008	(x2)	FDB2055	FDB2177
SPORTSMAN 500 HO/EFI/X2/EFI Quad H.O.	500	2003	-	2010	(x2)	FDB2055	FDB2176
Sportsman 500 Touring H.O.	500	2008	-	2010	(x2)	FDB2055	FDB2055 (x2)

* It is recommended that in those applications where sintered pads are supplied as Original Equipment, replacement pads should also be of sintered composition.

** To avoid brake imbalance sintered pads fitted in rear calipers should only be used in combination with front calipers containing sintered pads.

2006



CC

FROM -> TO



NOTES



NOTES

...POLARIS ATV

Sportsman 500 X2 EFI	500	2007	->	2009	(x2)	FDB2055		FDB2055	
XP Sportsman 500	500	2009	->		(x2)	FDB2276		FDB2276	
XPLORE 500	500	1997	->	2000	(x2)	FDB2055		FDB2054	
Outlaw 525 (All models)	525	2008	->	2011				FDB2055	
Sportsman 550	550	2011	->	2012	(x2)	FDB2276		FDB2276	
Sportsman EPS 550	550	2010	->	2012	(x2)	FDB2276		FDB2276	
Sportsman Forest 550	550	2010	->	2012	(x2)	FDB2276		FDB2276	
Sportsman Touring EPS 550	550	2010	->	2012	(x2)	FDB2276		FDB2276	
Sportsman X2 550	550	2010	->	2011	(x2)	FDB2276		FDB2276	
Sportsman X2 550	550	2010	->		(x2)	FDB2276		FDB2276	
XP Sportsman EPS 500	550	2009	->	2011	(x2)	FDB2276		FDB2276	
SPORTSMAN 600	600	2003	->	2006	(x2)	FDB2055		FDB2176	
Ranger 700 4x4 EFI - side by side	700	2009	->		(x2)	FDB2263		FDB2236 (x2)	
Ranger 700 4x4 EFI/LE - side by side	700	2007	->		(x2)	FDB2236		FDB2236 (x2)	
Ranger 700 6x4 EFI - side by side	700	2008	->		(x2)	FDB2263		FDB2236 (x2)	
Ranger 700 6x6 EFI - side by side	700	2006	->	2009	(x2)	FDB2236		FDB2236 (x2)	
Ranger 700 Crew (EFI) 4x4 - side by side	700	2009	->		(x2)	FDB2263		FDB2263 (x2)	
Ranger 700 XP 4x4 - side by side	700	2006	->	2008	(x2)	FDB2236		FDB2236 (x2)	
Ranger 700 XP 4x4 - side by side	700	2008	->		(x2)	FDB2263		FDB2236 (x2)	
SPORTSMAN 700	700	2003	->	2007	(x2)	FDB2055		FDB2176 (x2)	
Sportsman 700 X2	700	2008	->		(x2)	FDB2055		FDB2055	
Ranger 800 RZR - side by side	800	2008	->					FDB2055 (x2)	
Ranger 800 6x6 - side by side	800	2010	->		(x2)	FDB2263		FDB2236 (x2)	
Ranger 800 Crew - side by side	800	2010	->		(x2)	FDB2263		FDB2236 (x2)	
Ranger 800 HD - side by side	800	2010	->		(x2)	FDB2263		FDB2236 (x2)	
Ranger 800 RZR S EFI - side by side	800	2009	->		(x2)			FDB2055 (x2)	
Ranger 800 RZR-4 EFI - side by side	800	2010	->		(x2)	FDB2263		FDB2236 (x2)	
Ranger 800 RZR-4 EPS - side by side	800	2012	->	2012	(x2)	FDB2263		FDB2236 (x2)	
Ranger 800 XP - side by side	800	2010	->	2012	(x2)	FDB2263		FDB2236 (x2)	
Sportsman 800 EFI 6x6 Big Boss	800	2009	->	2010	(x2)	FDB2055		FDB2055 (x2)	
SPORTSMAN 800 EFI/HO	800	2005	->	2010	(x2)	FDB2055		FDB2176 (x2)	
Sportsman 800 Touring/EFI	800	2008	->	2009	(x2)	FDB2055		FDB2055 (x2)	
Sportsman 800 X2 EFI	800	2007	->	2009	(x2)	FDB2055		FDB2055 (x2)	
Sportsman Forest 800	800	2012	->		(x2)	FDB2276		FDB2276	
Sportsman Forest 850	850	2012	->		(x2)	FDB2276		FDB2276 (x2)	
Sportsman Touring EPS 850	850	2010	->	2012	(x2)	FDB2276		FDB2276	
XP EPS Sportsman 850	850	2009	->	2012	(x2)	FDB2276		FDB2276	
XP Sportsman 850	850	2009	->	2012	(x2)	FDB2276		FDB2276	
Polaris Razor XP900 - side by side	900	2012	->		(x2)	FDB2263		FDB2236 (x2)	
Ranger 900 D 4x4 Diesel - side by side	900	2011	->		(x2)	FDB2263		FDB2236 (x2)	
Ranger 900 RZR XP - side by side	900	2011	->	2012	(x2)	FDB2263		FDB2236 (x2)	

QUADZILLA

ZR 50	50	2007	->	2009		FSB753		FDB313	
BR 200	200	2007	->	2008	(x2)			FDB250	
300 E Stinger	300	2009	->	2011	(x2)	FDB314		FDB314	
300 e XLC	300	2007	->	2008	(x2)	FDB314		FDB314	
300 e XLC Stinger	300	2007	->	2008	(x2)	FDB314		FDB314	
CUV 300 E 4x4 Side x Side	300	2008	->	2009	(x2)			FDB2121	
Jow 300	300	2007	->	2008	(x2)	FDB314		FDB314	
RL 300 Buggie	300	2009	->	2011	(x2)	FDB314		FDB314	
320 e 4x4 Parking brake	320	2007	->	2008		FDB2121			
CVT 320 e Parking brake	320	2007	->	2011				FDB2121	
QZ 320 E 4x4	320	2009	->	2009				FDB2121	
QZ 450 Sport	450	2008	->	2009	(x2)	FDB314		FDB314	
CUV 500 Side X Side	500	2010	->	2011	(x2)			FDB2193	
CUV 500 Side X Side Parking Brake	500	2010	->	2011				FDB2054	
QZ 500 E/ES 4x4	500	2009	->	2011	(x2)			FDB2193	
QZ 500 E/ES 4x4 Parking brake	500	2009	->	2011		FDB2054			
RL 500 Buggie	500	2008	->	2009	(x2)	FDB736		FDB736 (x2)	
RL 500 MK 11 Buggie	500	2010	->	2011	(x2)			FDB2193	
RS 5 4WD	500	2010	->	2011	(x2)			FDB2193	
XLC 500	500	2010	->	2011	(x2)	FDB314		FDB314	
RS 6 4WD Left	600	2010	->	2011	(x2)	FDB497			
RS 6 4WD Right	600	2010	->	2011		FDB631			
Z6 4X4	600	2010	->	2013	(x2)			FDB2193	
RS 7 4WD	700	2010	->	2011	(x2)	FDB2184		FDB314	
X7 R	700	2010	->	2011	(x2)	FDB2184		FDB314	
RS 8	800	2010	->	2011	(x2)	FDB2184		FDB314	

* It is recommended that in those applications where sintered pads are supplied as Original Equipment, replacement pads should also be of sintered composition.

** To avoid brake imbalance sintered pads fitted in rear calipers should only be used in combination with front calipers containing sintered pads.



CC

FROM → TO



NOTES



NOTES

SUZUKI 3 WHEELERS

ALT 50 D/E	50	1983 → 1984			FSB726
ALT 125 D	125	1983 → 1984			FSB779
ALT 125 E/F/G	125	1984 → 1986			FSB724
ALT 185 F	185	1985 → 1987			FSB724

SUZUKI ATV

LT 50	50	1984 → 1987			FSB726
LT-A 50 QUADSPORT	50	2002 → 2005 (x2)	FSB727		FSB723
LT-Z 50 QUADSPORT	50	2006 →	(x2) FSB727		FSB723
LT 80 all models	80	1987 → 2007 (x2)	FSB727		FSB776
LT-Z 90 QUADSPORT	90	2006 →	(x2) FSB723		FSB776
LT 125 D	125	1983 → 2000			FSB779
LT 125 E	125	1984 → 2000			FSB724
LT 125 F/G/H	125	1985 → 1987			FSB776
LT 160 (All models)	160	1989 → 2004 (x2)	FSB777		FSB724
LT 185 E/F/G/H	185	1984 → 1987			FSB724
LT 230 EH/EJ/EK/EL/EM/EN/EP	230	1986 → 1993 (x2)	FDB2013		FDB381
LT 230 GEF/GEG QUADRUNNER	230	1985 → 1986 (x2)	FSB927		FSB724
LT 230 S QUADSPORT	230	1985 → 1988 (x2)	FDB2013		FDB661
LT 230 S QUADSPORT	230	1989 →	FDB2013		FDB381
LT-F 230 G/H	230	1986 → 1987 (x2)	FSB927		FSB724
LT 250 EF	250	1985 → 1986 (x2)	FSB927		FSB782
LT 250 R	250	1985 → 1986 (x2)	FDB2013		FDB381
LT 250 R	250	1987 → 1992 (x2)	FDB2013		FDB2016
LT 250 S	250	1989 → 1990 (x2)	FDB2013		FDB381
LT-F 250 4WD QUADRUNNER	250	1987 → 2002 (x2)	FSB934		FSB782
LT-F 250 F QUADRUNNER	250	1999 → 2002 (x2)	FSB934		FSB789
LT-F 250 K OZARK	250	2002 → 2007 (x2)	FDB250		
LT-F 250 QUADRUNNER	250	1988 → 2001 (x2)	FSB934		FSB789
LT-Z 250 K QuadSport	250	2004 → 2009 (x2)	FDB381		
LT 300 E	300	1987 → 1989 (x2)	FSB927		FSB782
LT-F 300 KING QUAD	300	1991 → 2001 (x2)	FSB929		FSB782
LT-F 300 KING QUAD (left)	300	2002 →	FDB497		FSB782
LT-F 300 KING QUAD (right)	300	2002 →	FDB631		
LT-A/F 400 EIGER (All models)	400	2002 → 2008 (x2)	FDB250		FSB725
LT-A/F 400 KING QUAD (Left) - All Models	400	2008 → 2009	FDB2148		FSB725
LT-A/F 400 KING QUAD (Right) - All Models	400	2008 → 2009	FDB2149		
LT-F 400 K8 Manual 2WD (Left)	400	2008 →	FDB2148		FSB725
LT-F 400 K8 Manual 2WD (Right)	400	2008 →	FDB2149		
LT-F 400 X	400	1991 → 2000 (x2)	FSB929		FSB784
LT-Z 400 QUADSPORT	400	2003 → 2012 (x2)	FDB381		FDB2016
LT-A 450 KING QUAD (left)	450	2007 → 2009	FDB2148		FDB2016
LT-A 450 KING QUAD (right)	450	2007 → 2009	FDB2149		
LT-R 450 K/Z (left)	450	2006 →	FDB497		FDB2016
LT-R 450 K/Z (right)	450	2006 →	FDB631		
LT-R 450 Z Quad Racer (left)	450	2008 →	FDB2148		
LT-R 450 Z Quad Racer (right)	450	2008 →	FDB2149		FDB2016
LT 500 R	500	1987 → 1990 (x2)	FDB2013		FDB2016
LT-A 500 F QUADMASTER (left)	500	2000 → 2001	FDB497		FSB782
LT-A 500 F QUADMASTER (right)	500	2000 → 2001	FDB631		
LT-A 500 FK2 VINSON 4x4	500	2001 → 2007 (x2)	FDB250		FDB2149
LT-A 500 KING QUAD Power Steering 4x4 (left)	500	2009 → 2012	FDB2148		FDB2016
LT-A 500 KING QUAD Power Steering 4x4 (right)	500	2009 → 2012	FDB2149		
LT-A/F 500 FK VINSON	500	2003 → 2007 (x2)	FDB250		FDB828
LT-F 500 FW/FX/F1 QUADRUNNER (left)	500	1998 → 2002	FDB497		FSB782
LT-F 500 FW/FX/F1 QUADRUNNER (right)	500	1998 → 2002	FDB631		
LT-A 700 KING QUAD (right)	700	2005 → 2007	FDB2149		
LT-A 700 KING QUAD (left)	700	2005 → 2007	FDB2148		FDB2016
LT-A 700 KING QUAD (left)	700	2008 →	FDB497		
LT-A 700 KING QUAD (right)	700	2008 →	FDB631		
TWIN PEAKS 700 (left)	700	2004 → 2005	FDB2148		
TWIN PEAKS 700 (right)	700	2004 → 2005	FDB2149		
LT-A 750 KING QUAD (left)	750	2008 → 2010	FDB2148		FDB2016
LT-A 750 KING QUAD (right)	750	2008 → 2010	FDB2149		
LT-A 750 KING QUAD Power steering (left)	750	2010 → 2012	FDB2148		
LT-A 750 KING QUAD Power steering (right)	750	2010 → 2012	FDB2149		

* It is recommended that in those applications where sintered pads are supplied as Original Equipment, replacement pads should also be of sintered composition.

** To avoid brake imbalance sintered pads fitted in rear calipers should only be used in combination with front calipers containing sintered pads.

2008



CC

FROM → TO



NOTES



NOTES

YAMAHA ATV

YFM 50 RAPTOR	50	2004 → 2007	(x2)	FSB731		FSB947
YF 60 S (MOTO4)	60	1986 → 2000	(x2)			FSB738
YFM 80 BADGER	80	1992 → 2001	(x2)	FSB731		FSB947
YFM 80 GRIZZLY	80	2005 → 2008	(x2)	FSB731		FSB947
YFM 80 N/S (MOTO4)	80	1985 → 1986	(x2)			FSB733
YFM 80 RAPTOR	80	2002 → 2008	(x2)	FSB731		FSB947
YFM 80 T/U	80	1987 → 1988	(x2)	FSB738		FSB733
YFM 90 R Raptor (No Rear Parking Brake)	90	2009 → 2009	(x2)			FDB313
YFM 90 R Raptor (with Rear Parking Brake)	90	2010 → 2013	(x2)			FDB314
YFM 100 T/U CHAMP	100	1987 → 1988	(x2)	FSB738		FSB733
YFM 100 W/A/B CHAMP	100	1989 → 1991	(x2)	FSB731		FSB733
YFA1 125 BREEZE	125	1989 → 1991	(x2)	FSB731		FSB733
YFA1 125 BREEZE	125	1992 → 2004	(x2)	FSB731		FSB947
YFM 125 GRIZZLY	125	2004 → 2010	(x2)	FSB731		FSB947
YFM 200 (Moto 4)	200	1985 → 1989	(x2)	FSB731		FDB2014
YFS 200 BLASTER	200	1988 → 2002	(x2)	FSB731		FDB2017
YFS 200 BLASTER	200	2003 → 2006	(x2)	FDB250		FDB381
YFM 225 (Moto 4)	225	1986 → 1988	(x2)	FSB731		FDB2014
YFB 250	250	1995 → 1998	(x2)	FSB948		FSB948
YFB 250 D/E/F TIMBERWOLF	250	1992 → 1994	(x2)	FSB731		FSB948
YFB 250 FW TIMBERWOLF	250	1994 → 2000	(x2)	FSB948		FSB948
YFM 250 BEAR TRACKER	250	1999 → 2000	(x2)	FSB948		FSB948
YFM 250 BEAR TRACKER	250	2001 → 2004	(x2)	FDB381		FSB948
YFM 250 Big Bear	250	2007 → 2009	(x2)	FDB250		
YFM 250 BRUIN	250	2005 → 2006	(x2)	FDB250		
YFM 250 R Raptor (left)	250	2008 →		FDB2231		
YFM 250 R Raptor (right)	250	2008 →		FDB2230		FDB381
YFM 250 RSPX Special Edition Custom (Left)	250	2008 →		FDB2231		FDB381
YFM 250 RSPX Special Edition Custom (Right)	250	2008 →		FDB2230		
YFM 250 W/A/B	250	1989 → 1991	(x2)	FSB948		FDB2014
YFM 350 2x4 Grizzly	350	2007 → 2010	(x2)	FDB250		FDB381
YFM 350 4x4 Grizzly	350	2007 → 2010	(x2)	FDB250		FSB736
YFM 350 BRUIN (All Models)	350	2004 → 2006	(x2)	FDB250		FSB736
YFM 350 ER E/F/G	350	1993 → 1995	(x2)	FSB933		FDB2014
YFM 350 ER W/A/D	350	1989 → 1992	(x2)	FSB767		FDB2014
YFM 350 ERT/ERU	350	1987 → 1988	(x2)	FSB928		FDB2014
YFM 350 FW 4WD BIG BEAR	350	1999 → 2003	(x2)	FDB250		FSB736
YFM 350 FW H/J/K BIG BEAR	350	1996 → 1998	(x2)	FSB933		FSB736
YFM 350 FW T/U	350	1987 → 1988	(x2)	FSB928		FDB2014
YFM 350 FW T/U BIG BEAR	350	1987 → 1988	(x2)	FSB928		FDB2014
YFM 350 FW W/A/B/D/E/F/G BIG BEAR	350	1989 → 1995	(x2)	FSB933		FDB2014
YFM 350 FX WOLVERINE	350	1995 → 2007	(x2)	FDB250		FDB381
YFM 350 RAPTOR	350	2004 → 2010	(x2)	FDB381		FDB381
YFM 350 X Wolverine	350	2006 → 2009	(x2)	FDB250		
YFM 350 XT/XU WARRIOR	350	1987 → 1988	(x2)	FDB383		FDB250
YFM 350 XW-XS WARRIOR	350	1989 → 2004	(x2)	FDB250		FDB381
YFP 350 U Terraplo	350	1988 →	(x2)	FSB948		
YFZ 350 A/B/D/E/F BANSHEE	350	1990 → 2006	(x2)	FDB250		FDB381
YFZ 350 T/U/W BANSHEE	350	1987 → 1989	(x2)	FDB383		FDB381
YFM 400 4x4 Grizzly	400	2007 → 2008	(x2)	FDB250		FDB2148
YFM 400 BIG BEAR (All Models)	400	2000 → 2007	(x2)	FDB250		FSB736
YFM 400 FW KODIAK	400	1993 → 1998	(x2)	FSB933		FSB736
YFM 400 FW Kodiak	400	1999 → 2000	(x2)	FDB250		FSB948
YFM 400 FW KODIAK (All Models except AUTO)	400	2000 → 2006	(x2)	FDB250		FDB2148
YFM 400 KODIAK AUTO	400	2003 →	(x2)	FDB250		FSB736
YFM 450 Grizzly (All models)	450	2007 → 2010	(x2)	FDB250		FDB2148
YFM 450 KODIAK	450	2003 → 2006	(x2)	FDB250		FDB2148
YFM 450 WOLVERINE (All models)	450	2006 → 2010	(x2)	FDB250		FDB2148
YFZ 450 (left)	450	2004 → 2005		FDB497		FDB381
YFZ 450 (left) - All models	450	2006 →		FDB497		FDB2119
YFZ 450 (right)	450	2004 → 2005		FDB631		
YFZ 450 (right) - All models	450	2006 →		FDB631		
YXR 450 RHINO (left) - side by side	450	2004 → 2009		FDB497		FDB2149
YXR 450 RHINO (right) - side by side	450	2004 → 2009		FDB631		
YFM 550 4x4 Grizzly (left)	550	2008 →		FDB2231		FDB2233
YFM 550 4x4 Grizzly (right)	550	2008 →		FDB2230		FDB2232
YFM 600 GRIZZLY (All)	600	1998 → 2001	(x2)	FDB381		FSB736
YFM 660 Ducks Unlimited Ed.-side by side	660	2006 → 2007		FDB381		FDB2193
YFM 660 GRIZZLY	660	2002 → 2008	(x2)	FDB381		FDB2193
YFM 660 RAPTOR	660	2001 → 2005	(x2)	FDB381		FDB381
YXR 660 RHINO (left) - side by side	660	2004 → 2007		FDB497		FDB2149
YXR 660 RHINO (right) - side by side	660	2004 → 2007		FDB631		

* It is recommended that in those applications where sintered pads are supplied as Original Equipment, replacement pads should also be of sintered composition.

** To avoid brake imbalance sintered pads fitted in rear calipers should only be used in combination with front calipers containing sintered pads.

2010



CC

FROM → TO



NOTES



NOTES

...YAMAHA ATV

YFM 700 Ducks Unlimited Edition (Left)	700	2007 → 2009	FDB2231	FDB2233
YFM 700 Ducks Unlimited Edition (Right)	700	2007 → 2009	FDB2230	FDB2232
YFM 700 GRIZZLY (left)	700	2008 →	FDB2231	FDB2233
YFM 700 GRIZZLY (right)	700	2008 →	FDB2230	FDB2232
YFM 700 RAPTOR (left) - All Models	700	2006 →	FDB497	FDB2235
YFM 700 RAPTOR (right) - All Models	700	2006 →	FDB631	
YXR 700 FA/FB/FD RHINO Side x Side (Parking brake)	700	2011 → 2013	FDB2270	
YXR 700 RHINO (left) - side by side	700	2008 →	FDB631	FDB631
YXR 700 RHINO (right) - side by side	700	2008 →	FDB497	FDB497
YXR 700 RHINO 4X4 SE (Parking brake)	700	2009 →	FDB2270	

* It is recommended that in those applications where sintered pads are supplied as Original Equipment, replacement pads should also be of sintered composition.

** To avoid brake imbalance sintered pads fitted in rear calipers should only be used in combination with front calipers containing sintered pads.



CC

FROM → TO



NOTES



NOTES

LYN SNOWMOBILE

Enduro		1998 → 2000			FDB2136
GLX 5009 ST		1998 → 2000			FDB2136
Rave Special		1998 → 2000			FDB2136
Gran Touring 700	700	1998 → 2000			FDB2136

POLARIS SNOWMOBILE

ALL MODELS WITH PHANTOM BRAKES		2003 →			FDB2189
HAYES (all models)		1993 → 1998			FDB2001
INDY RXL - RMK - SKS		1993 → 1997			FDB2001
INDY SPORT - TOURING		1993 → 1998			FDB2001
INDY TRAIL - DE LUXE		1993 → 1998			FDB2001
INDY TRANSPORT		1996 → 1998			FDB2001
INDY ULTRA (all models)		1996 → 1998			FDB2001
INDY XLT (all models)		1993 → 1998			FDB2001
INDY 440 XCR	440	1993 → 1999			FDB2001
XCF 440	440	1998 → 2000			FDB2001
INDY 600 XCR - SP	600	1996 → 1999			FDB2001

SKI DOO SNOWMOBILE

REV XP		2008 →	FDB2243		
--------	--	--------	---------	--	--

YAMAHA SNOWMOBILE

EXCEL V		1979 → 1980	FDB2014		
EXCITER		1976 → 2000	FDB2014		
GPX (All Models)		1974 → 1975	FDB2014		
NISSIN (all models)		1997 → 1999		FDB2111	
OVATION		1989 → 1993	FDB2014		
PHAZER		1984 → 1993	FDB2014		
SNO-SCOOT		1989 → 1991	FDB2014		
SPV		1980 → 1991	FDB2014		
SSR		1978 → 2000	FDB2014		
V-MAX		1983 → 1991	FDB2014		
XL-V		1985 → 1990	FDB2014		
SS 440	440	1980 → 1993	FDB2014		
VK X 440	440	1989 → 1991	FDB2014		
SX 500R	500	→		FDB2111	
V-MAX 500 (all)	500	1997 → 1999		FDB2111	
VENTURE 500	500	1997 → 2000		FDB2111	
SRX 600	600	1998 → 1999		FDB2111	
SX 600R	600	→		FDB2111	
V-MAX 600 (all)	600	1997 → 1999		FDB2111	
VENTURE 600	600	1997 → 2000		FDB2111	
SRX 700	700	1998 → 1999		FDB2111	
SRX 700 - MOUNTAIN MAX 700	700	2000 → 2001		FDB2111	
SX 700R	700	→		FDB2111	
V-MAX 700 (all)	700	1997 → 1999		FDB2111	
VENTURE 700	700	1997 → 2000		FDB2111	
V-MAX 800	800	1998 → 2000		FDB2111	

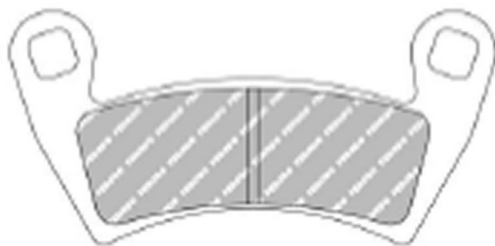
* It is recommended that in those applications where sintered pads are supplied as Original Equipment, replacement pads should also be of sintered composition.

** To avoid brake imbalance sintered pads fitted in rear calipers should only be used in combination with front calipers containing sintered pads.

2012

FERODO™

MOTORCYCLE PADS



Buyer's Guide

FERODO™

MOTORCYCLE PADS



			CC	FROM	TO	FRONT / REAR		
FRP213	TRIUMPH	B	BONNEVILLE T 400 V E	400	1982	1984	F	
		B	TRIDENT TI 500 V	500	1982	1984	F	
		B	THUNDERBIRD 650	650	1982	1984	F	
		B	BONNEVILLE 750 TWIN (Lockheed calipers)	750	1982	1984	F	
		B	TIGER 750 TR 7V	750	1976	1981	F	
FRP405	APRILIA	B	RS 50	50	2006	2011	R	
		B	SX 50	50	2008		R	
		B	TUONO 50	50	2006	2008	R	
		B	TX 125 M	125	1986		F	
		B	TX 300	300	1986		F	
		B	TX 300 M	300	1986		F	
		B	TX 311 M	312	1987		F	
		B	TX 312 M	312	1988		F/R	
		B	TXR 312 M	312	1988		F/R	
		ATK (USA)	B	all models 1987		1987		R
		BETA	B	EIKON 50	50	1999		F/R
			B	Pro Race 50	50	2005		F
			B	REV 50	50	2000		F/R
			B	RR 50 all models	50	1999		R
			B	RR 50 Enduro Standard	50	2009	2012	F
			B	RR 50 Motard Standard	50	2009	2012	F
			B	RR 50 PRO RACE	50	1998		R
			B	RR 50 Standard	50	2005	2008	R
			B	SUPERMOTARD 50	50	2000		F/R
			B	SUPERTRIAL 50	50	1992		F/R
			B	TECHNO 50	50	1996		F/R
			B	TR 50 (SPAIN)	50	1989		F
			B	EVO 80 Junior	80	2009	2012	F/R
			B	REV 80	80	2000	2007	F/R
			B	ALP 125 4T	125	1999	2003	F/R
			B	R-125 (Pit Bike) / R125 Minimotard 4T	125	2008		R
			B	RE 125 4T Enduro	125	2010	2012	F
			B	TR 35 125	125	1990		F/R
			B	TRIAL 125	125	1997		F
			B	ALP 200 4T	200	2000	2003	F/R
			B	ALP 240	240	1996		F
			B	SUPERTRIAL 240	240	1992		F
			B	ALP 250	250	1997		F/R
			B	TECHNO 250	250	1996		F/R
	B		TR 35 250	250	1990	1991	F/R	
	BULTACO		B	LOBITO 50	50	1998		R
			B	SHERCO 250	250	1999		F/R
	CAGIVA		B	CORSA 50	50	1998		F
			B	MANTIS 50	50	1998		F
			B	MITO 50	50	1998		R
			B	PROGRESS 50	50	1997		F
	DERBI		B	FDS 50	50	1986		F
			B	FENIX 50	50	1994		F
		B	GP1 50	50	2002	2006	F	
		B	GP1 50 OPEN	50	2007		R	
		B	GPR 50 R/REPLICA	50	1997	2005	R	
		B	GPR 50 Race Replica	50	2008	2009	R	
		B	HUNTER 50	50	1995		F	
		B	PADDOCK 50 ST	50	1996		F	
		B	PROGRESS 50	50	1997		F	
		B	SENDA 50	50	1994		F	
		B	SENDA DRD PRO 50	50	2005	2007	R	
		B	SENDA DRD RACING R 50	50	2005		R	
		B	SENDA DRS 50 Racing	50	2008		F/R	
		B	SPORT EDITION 50	50	1995		F	
	FANTIC	B	SUPER MOTARD 50	50	2001		F/R	
		B	GPR 80 CUP Criterium Derbi Malossi	80	2008		R	
		B	GPR 125 / NUDE (Radial Caliper)	125	2004	2009	R	
		B	SENDA 125 R 4T	125	2005		R	
		B	TRIAL 50 .5	50	1989		F/R	
		B	TRIAL 50 .7	50	1990		F/R	
		B	TRIAL 50 .9	50	1991		F/R	
		B	TRIAL 125 .5	125	1989		F/R	
		B	TRIAL 125 .9	125	1991		F/R	
		B	TRIAL 249	249	1990		F/R	
	GARELLI	B	COACH 250	250	1991		F	
		B	K-ROO 250	250	1991		F/R	
		B	TRIAL 305	305	1989		F/R	
		B	TRIAL 307	307	1990	1991	F/R	
		B	SAHEL 50	50	1991		R	
	GASGAS	B	SAHEL 80	80	1989		R	
		B	TRIAL 320	320	1986		F	
	B	PAMPERA 250	250	1996	2001	F/R		



			CC	FROM	TO	FRONT / REAR			
GILERA	B	TX 270	270			1998	F/R		
	B	GSM 50 / H @ K 50	50	2000	2003		F/R		
	B	RCR 50	50	2005			F/R		
	B	SMT 50	50	2005			F/R		
	HUSQVARNA	B	WRS 50 (SCOOTER)	50	1998	2000		F	
		ITALJET	B	DRAGSTER 50	50	1998	2003		F/R
			B	FORMULA 50	50	1997	2003		F/R
			B	RG 50	50	1998			F
			B	TORPEDO 50	50	1997			F
	B	DRAGSTER 125	125	1999			F		
B	DRAGSTER 125	125	2000	2003		F/R			
B	FORMULA 125	125	1997	2003		F/R			
B	TORPEDO 125	125	1999	2003		F			
B	TWIN 125	125	1998	2000		F/R			
KTM	B	DRAGSTER 180	180	1999			F		
	B	DRAGSTER 180	180	2000	2003		F/R		
MACAL	B	SX 60	60	1998	1999		F		
	B	SX 60 / 65	60	2000	2001		F		
MALAGUTI	B	TR 50 TROPHY H2O	50	1999			F		
	B	CR1 50 CROSSER	50	1996			F		
MONTESA	B	DRAKON 50 NKD	50	2005			R		
	B	XSM 50 SUPERMOTARD	50	2003			R		
	B	XTM 50 / XSM 50	50	2003			F/R		
	B	X3M Enduro 125	125	2008			F/R		
	B	X3M Motard 125	125	2008			R		
	B	EVASION 260	260	1994			F/R		
	B	COTA 310	310	1990			F/R		
	B	COTA 314 R	314	1994			F		
	B	COTA 315 R	315	1998			F		
	B	COTA 335	335	1987			F/R		
MONTESA (HONDA)	B	MH 311 260	260	1992	1993		F		
	B	MH 314 R	314	1994	1997		F		
MOTORHISPANIA	B	MH 315 R	315	1997	2000		F		
	B	MX 50 FURIA	50	2000			F/R		
	B	RX 50 RACING	50	2000			R		
	B	Blaster Iceblade 50 (2T/12" Wheels)	50	2010	2012		F/R		
	B	Blaster RS 12 50 (2T)	50	2010	2011		F/R		
	B	ELYSEO 50	50	1998	2002		F		
	B	ELYSEO 50	50	2003			F/R		
	B	Jet C Tech 50	50	2011	2012		F/R		
	B	Jet Darkside 50 (2T)	50	2011			F/R		
	B	JET FORCE 50	50	2003			F/R		
PEUGEOT	B	Jet H2i 50 (2T -Air Cooled)	50	2011	2012		F		
	B	Jet H2i 50 (2T-L/C)	50	2011	2012		F/R		
	B	Jet Iceblade 50 (2T)	50	2011			F/R		
	B	LOOXOR 50	50	2001			F		
	B	LooXoR 50 TSDI (Rear disc)	50	2006			F/R		
	B	Ludix 2 Trend 50cc (2T/12? wheels)	50	2007	2012		F		
	B	Ludix Acid	50	2006			F		
	B	Ludix Blaster (10" Wheels)	50	2005	2009		F		
	B	Ludix Pro (4T / 14" Wheels/AJP Caliper)	50	2011			F		
	B	Ludix Red Zone	50	2006			F		
	B	Ludix Urban Track	50	2006	2007		F		
	B	SPEEDFIGHT 50 (liquid cooled AJP caliper)	50	1998	2000		F/R		
	B	SPEEDFIGHT 50 M (AJP caliper)	50	1997	1998		F		
	B	SQUAB 50	50	1996	2001		F		
	B	TRK 50 (2T/10? Wheels)	50	2009	2012		F		
B	TRK 50 12 (2T/12? Wheels)	50	2009	2012		F			
B	Vivacity 2 50	50	2008	2011		F			
B	VIVACITY 50 .	50	1998	2003		F			
B	X FIGHT 50 (liquid cooled)	50	2000			F/R			
B	X FIGHT 50 M	50	2000			F			
B	XPS 50 Top Road (17? F/Wheel)	50	2010	2012		R			
B	XPS 50 Track (21? F/Wheel)	50	2011	2012		R			
B	XR 6 50	50	2002			R			
B	ZENITH 50	50	1996	2000		F			
B	ELYSEO 100	100	1998			F			
B	ELYSEO 100	100	1999	2002		F			
B	ELYSEO 100	100	2003			F/R			
B	LOOXOR 100	100	2001			F/R			
B	TREKKER 100	100	1998			F			
B	VIVACITY 100 .	100	1998			F			
B	X FIGHT 100 (liquid cooled)	100	2000			F/R			
B	X FIGHT 100 M	100	2000			F			
B	ELYSEO 125	125	1998	2000		F			
B	LOOXOR 125 / 150	125	2003			R			
B	LUDIX 125	125	2004			F			
B	SATELIS 125	125	2006			R			

3000

B = Bike
A = ATV
S = Snowmobile

FERODO
MOTORCYCLE PADS

Updated on 9th Oct 2015

B = Bike
A = ATV
S = Snowmobile



CC FROM TO FRONT / REAR

...FRP405

CC	FROM	TO	FRONT / REAR
125	2005		R
125	2005	2007	F/R
150	2000		F
600	2003		R
50	2003	2008	F/R
50	2001	2002	R
50	2004	2008	R
50	2007		R
50	2000	2002	R
50	2003	2006	F/R
50	1997	2002	F/R
50	1997	2000	F/R
50	2001	2004	R
50	2009		R
50	2006	2008	F/R
50	2002	2008	R
50	2005		R
50	2002		F/R
50	2004		R
50	2004		F/R
50	2004		R
50	2007		R
50	2009		R
125	2002	2008	R
125	2006	2007	R
125	2006	2008	R
125	2009		R
125	2002	2007	R
125	2007		R
125	2006	2010	R
250	2008	2011	R
50	1994		F
50	1994		F
50	1994		F
80	1994		F
80			F
50	1998		F
50	1998		F
50	1989		F
50	2000	2001	F/R
50	2000	2003	F/R
50	2000	2002	F
50	1998	2002	F
50	2002	2007	R
50	2004		R
250	1991	1993	F
250	1995	1996	F
250	1997		F
500	1998	1999	F
125	1999	2001	F
125	2002	2005	F
350	2003	2006	F
350	1999	2001	F
350	2002		F
400	1989		F
500	1997		F
600	1991		F
600	1997		F
650	1997		F
750	1996		F
750	1989		F
851	1991		F
900	1992		F
900	1997		F
904	1994	2000	F
904	1998	1999	F
906	1991		F
1000	1992		F
1000	1997		F
1000	1989		F
1000	1990		F
1000	1990		F
1000	1992		F
1002	1991		F
1100	1997		F
125	1993		F
125	1994		F



CC FROM TO FRONT / REAR

CC	FROM	TO	FRONT / REAR
125	2007		F
125	1998		F
125	2003		F
600	1994		F
50	1993	1999	F
50	1993	1999	F
400	1995	1997	F
400	1992		F
400	1992		F
550	1993	1999	F
600	1994	1999	F
600	1994	1999	F
600	1993	1999	F
748	1995	1997	F
750	1987		F
750	1992	1997	F
750	1996	1999	F
750	1993	1998	F
750	1992	1998	F
851	1988	1992	F
888	1992	1995	F
900	1992	1998	F
900	1992	1998	F
900	1993	1995	F
900	1993	1999	F
916	1994	1997	F
450	2003		F
500	1990		F
250	1999		F
600	2000	2007	F
450	2003	2006	F
510	2005	2005	F
570		2004	F
630		2006	F
	2010	2011	F
		2011	F
		2011	F
	2011	2013	F
		2009	F
	2009	2011	F
	2009	2011	F
	2009	2013	F
	2010	2013	F
900	2001		F
125	1998		F
400	1994	1998	F
620	1994	1998	F
650	1995	1996	F
650	2000		F
668	1997	1998	F
750	1999		F
750	1998		F
750	1997		F
800	1999		F
1000	1995		F
1000	1999	2001	F
1000	1996	1999	F
1000	1991	1994	F
1000	1995	1998	F
1100	1997	2001	F
1100	1999	2000	F
1100	1994	1999	F
660	1995		F
588	1989	1991	F
588	1992		F/R
125	2005		F
250	2002		F
250	2004		F
250	2005		F
250	2005		F
300	2005		F
300	2005		F
300	2005		F
400	2002	2003	F
400	2004		F
450	2005	2009	F
530	2002	2003	F
530	2002	2003	F

B = Bike
A = ATV
S = Snowmobile

B = Bike
A = ATV
S = Snowmobile



			CC	FROM	TO	FRONT / REAR	
...FRP408	YAMAHA	B	SME 530 (4T)	530	2004	F	
		B	SMR 530 F ES	530	2005	2009	F
		B	SMX 660 F	660		2004	F
		B	TZR 125 (Italia)	125	1991		F
		B	TZR 125 RED ROCKET	125	1993		F
		B	TZR 250 R	250	1994		F
	B	SZR 660	660	1996	1997	F	
FRP416	HONDA	B	CRM 125 (Italy)	125	1990	1999	R
		B	NSR 125 R - F	125	1989	1992	R
		B	NSR 125 RAIDEN	125	1990	1992	R
	HONDA-HM ITALIA	B	NSR 125 R	125	1989		R
	RIEJU	B	MARATHON 450 Motard	450	2010		F
FDB88	NORTON	B	COMMANDO	750	1975	1975	F/R
FDB108	APRILIA	B	AF1 250 REPLICA	250	1990		R
	BENELLI	B	350 SPORT	350	1978		R
		B	350 SPORT II	350	1978		R
		B	350 T	350	1978		R
		B	500	500	1978		R
		B	500 LS	500	1978		R
		B	650	650	1982		R
		B	650 SPORT	650	1978		R
		B	650 T	650	1978		R
		B	750 SEI	750	1976		F
		B	900 SEI	900	1978		F
	BIMOTA	B	BELLARIA 600 SPORT	600	1991		R
		B	TESI 851 1D	851	1991		R
		B	TESI 906 1D	906	1991		R
		B	1000 all models ->1988	1000	2000		F/R
		B	SB 3 1000	1000	1983		F/R
		B	YB 10 DIECI 1002	1002	1991		R
	BMW	B	R 45 450	450	1978	1981	F
		B	R 45 450	450	1981	1985	F
		B	R 65 650	650	1981	1989	F/R
		B	R 65 650	650	1989	2000	F
		B	R 65 650	650	2000		F
		B	R 65 650 GS	650	1987	1988	F
		B	R 65 650 LS	650	1981	1985	F
		B	R 65 650 LS	650	2000		F
		B	K 75 750	750	1984	1988	F
		B	K 75 750	750	1990	1996	R
		B	K 75 750 (ABS caliper)	750	1991	1996	R
		B	K 75 750 RT	750	1991	1993	R
		B	K 75 750 RT	750	1994	2000	R
		B	K 75 750 S	750	1985	1988	F/R
		B	K 75 750 S	750	1988	1993	F/R
		B	R 80 800 all models	800	1982	1984	F
		B	R 80 800 all models	800	1985	1989	F
		B	R 80 800 GS / PARIS-DAKAR	800	1981	1986	F
		B	R 850 R ROADSTER	850	1995	2000	F
		B	K 1 1000	1000	1989	1993	R
		B	K 100 1000 all models	1000	2000		F/R
		B	K 100 1000 LT	1000	1987	1988	F/R
		B	K 100 1000 LT	1000	1988	1992	R
		B	K 100 1000 RS	1000	1983	1988	F/R
		B	K 100 1000 RS	1000	1988	1989	R
		B	K 100 1000 RS 16 VALVES	1000	1990	1992	R
		B	K 100 1000 RT	1000	1983	1988	F/R
		B	K 100 1000 RT	1000	1988	1989	F/R
		B	R 100 1000 all models	1000	1981	1989	F/R
		B	R 100 1000 all models	1000	1981	1989	F
		B	R 100 1000 RS - RT - CS	1000	1981	1988	F/R
		B	R 100 1000 RT	1000	1991	1995	F
		B	R 1100 RS (ABS)	1100	1994	2001	R
		B	K 1200 GT	1200	2003	2007	R
		B	K 1200 RS	1200	1997	2001	R
		B	K 1200 RS	1200	2002		R
	DUCATI	B	650 DESMO	650	1987		F
		B	750 ENDURANCE	750	1987		R
		B	750 F1 DESMO	750	1986		F
		B	750 LAGUNA SECA	750	1987		R
		B	750 PASO	750	1987		F/R
		B	750 SPORT	750	1989	2000	F/R
		B	750 SUPERSPORT	750	1976	1991	F/R
		B	906 PASO	906	1989	1990	F/R
		B	1000 all models	1000	1984		F/R
	INDIAN	B	Bomber (Brembo Calipers)		2010	2011	R
		B	Chief Blackhawk (Brembo calipers)			2011	R
		B	Chief Blackhawk Dark (Brembo calipers)			2011	R



			CC	FROM	TO	FRONT / REAR	
	LAVERDA	B	Chief Classic (Brembo calipers)		2011	2013	R
		B	Chief Deluxe (Brembo calipers)			2009	R
		B	Chief Roadmaster (Brembo calipers)		2009	2011	R
		B	Chief Standard (Brembo calipers)		2009	2011	R
		B	Chief Vintage (Brembo calipers)		2009	2013	R
		B	Dark Horse (Brembo calipers)		2010	2013	R
		B	125	125			F
		B	SFC 500	500	1977		F/R
		B	SFC 1000	1000	1986		F/R
		B	NTX 350	350	1990		R
		B	V 35 350 GT	350	1990		F
		B	NTX 650	650	1990		R
	MOTO GUZZI	B	V 65 650 GT	650	1990		F
		B	NTX 750	750	1990		R
		B	S 750	750	1974	1975	F
		B	S3 750	750	1975	1976	F/R
		B	CALIFORNIA 850 T3	850	1975	1980	F/R
		B	T5 850	850	1984		F/R
		B	CALIFORNIA 1000 II	1000	1981	1990	F/R
		B	CALIFORNIA 1000 III C	1000	1991	1998	F/R
		B	DAYTONA 1000	1000	1991	1994	R
		B	DAYTONA 1000	1000	1995	1998	R
		B	GT V 1000	1000	1991		F/R
		B	LE MANS - V 1000	1000	1990		F/R
	B	LE MANS 1000	1000	1984	1993	F/R	
	B	SP 1000	1000	1978	1983	F	
	B	SP 1000 II	1000	1984		F/R	
	B	SP III 1000	1000	1991		F/R	
	B	CALIFORNIA 1100	1100	1994	1997	F/R	
	B	ETZ 125	125	1982	1992	F	
	B	SAXON 125	125	1993	1997	F	
	B	ETZ 150	150	1982	1992	F	
	B	SAXON 150	150	1995		F	
	B	FUN 251	251	1995	1996	F	
	B	ETZ 301	301	1990	1992	F	
	B	SAXON 500	500	1993	1998	F	
	NORTON	B	INTERPOL 2 (ROTARY)	588	1983		F/R
	SWM	B	XP 350 SAHARA	350	1983		F
	ZUNDAPP	B	KS 125	125	1982		F
	B	KS 175	175	1982		F	
FDB119	HONDA	B	CB 250 G - G5	250	1975		F
		B	CJ 250 I	250	1977		F
		B	CJ 360 T all models	360	1978		F
		B	CB 400 F - F1 - F2	400	1975	1979	F
		B	CB 500 K1 - K2 - T	500	1975	1977	F
		B	CB 550 F - F1 - F2	550	1978		F
		B	CB 550 K3	550	1978		F
		B	CB 750 F - F1	750	1976	1978	F
		B	CB 750 K7 - K8	750	1978		F
FDB132	KAWASAKI	B	KH 250 B1 - S	250	1977	1982	F
		B	Z 250 A1 - A2	250	1978	1980	F
		B	KH 400 A3-5	400	1976	1981	F
		B	Z 400 G1	400	1979		F
		B	Z 400 J1 LTD	400	1980	1981	F
		B	Z 440 A2 - C1	440	1979	1982	F
		B	Z 440 D2 - D4 LTD	440	1979	1982	F
		B	KH 500 A8	500	1976		F
		B	Z 500 A1 - A3	500	1979	1980	F
		B	Z 500 B1 - B3	500	1979	1980	F
		B	A1 550 LTD	550	1980		F
		B	Z 550 A1	550	1980		F
		B	Z 650 B1 - B3	650	1979	1981	F
		B	Z 650 C1 - C2 - C3	650	1976	1977	F
		B	Z 650 D2 - D3	650	1978	1981	F
		B	Z 650 F1	650	1979	1980	F
		B	Z 650 SR	650	1978	1981	F
		B	Z 750 B1 - B2	750	1977	1978	F/R
		B	Z 750 D1	750	1976	1978	F/R
		B	KZ 900 B1	900	1976	1977	F
		B	Z 900 A 4	900	1977	1978	F
		B	KZ 1000 B1/B2 LTD	1000	1977	1978	F
		B	Z 1000 A1 - A4 - H1 - H2	1000	1974	1978	F
FDB134	HONDA	B	CB 750 F - F1	750	1976	1978	R
		B	GL 1000 K1 - 2 - 3	1000	1977	1979	R
		B	GL 1000 KZ	1000	1977	1979	R
FDB148	DUCATI	B	250 DESMO	250	2000		F
		B	350 DESMO	350	2000		F
		B	600 SL	600	1976		F/R



			CC	FROM	TO	FRONT / REAR		
...FDB148	LAVERDA	B	600 TL PANTAH	600	1976	F/R		
		B	SF3 750	750	1977	F/R		
		B	RGA 1000	1000		F/R		
		B	RGA 1000 JOTA	1000		F/R		
		B	RGS 1000 CORSA	1000		F/R		
		B	RGS 1000 EXECUTIVE	1000		F/R		
		B	RGS 1000 JOTA	1000	1977	F/R		
	MOTO GUZZI	B	T.T. 1200	1200	1976	F/R		
		B	LE MANS 850	850	1976	F/R		
		B	T 850	850	1974 1975	F		
		B	T3 850	850	1975 1979	F/R		
		B	T4 850	850	1980 1983	F/R		
		B	V 1000 1000 G5	1000	1978	F/R		
		B	V 1000 1000 I CONVERT	1000	1975	F/R		
	MZ	B	ETZ 250	250	1982	F		
		B	BONNEVILLE 750 TWIN (Brembo calipers)	750	1985 1986	F/R		
	FDB150	SUZUKI	B	GS 400 B - C	400	1977 1978	F	
B			GS 425 EN	425	1978 1980	F		
B			GS 750 B	750	1976 1976	F		
B			GS 750 DB	750	1977 1980	F		
B			GS 750 DL	750	1977 1980	F		
B			GS 750 EC	750	1977 1980	F		
B			GS 750 EN	750	1977 1980	F		
FDB151	KAWASAKI	B	Z 500 A1 - A3	500	1979 1980	R		
		B	Z 500 B1 - B3	500	1979 1980	R		
		B	Z 1000 A1 - A4 - H1 - H2	1000	1974 1978	R		
		B	Z 1000 E1 - E2 - SHAFT - ST	1000	1979 1981	R		
		B	Z 1300	1300	1979 1983	R		
		B	ZG 1300 DF1	1300	1984 1986	R		
	SUZUKI	B	GS 850 GN - GT - GX	850	1979 1981	R		
		B	GS 850 GZ - GE - GG	850	1982 1985	R		
		B	GS 1000 EC - EN - HC - SN	1000	1978 1979	R		
		B	GS 1000 ET	1000	1980 1981	R		
		B	GSX 1000 S KATANA	1000	1982	R		
		B	GV 1200 GL MADURA	1200	1985 1986	R		
FDB155	BMW	B	R 60/7 600	600	1976 1978	F		
		B	R 75/6 750	750	1975 1979	F		
		B	R 80 800 all models	800	1977 1981	F		
		B	R 90 900 S	900	1973 1976	F		
		B	R 90/6 900	900	1973 1976	F		
		B	R 100 1000 all models	1000	2000	F		
		FDB177	YAMAHA	B	XS 250	250	1978 1978	F/R
B	XS 250 D - E			250	1979 1981	F		
B	XS 360 C			360	1976	F/R		
B	SR 400			400	1977 1984	F/R		
B	XS 400			400	1979 1979	F		
B	SR 500			500	1978 1982	F		
B	XS 500 C			500	1976 1979	F/R		
B	KJ 650			650	1980	F		
B	XS 650			650	1977 1981	F		
B	XS 650 SE			650	1979 1980	F/R		
B	XS 650 SE			650	1981	F		
B	XS 750			750	1977 1979	F/R		
B	XS 750 SE - SG			750	1979 1980	R		
B	XS 850			850	2000	F/R		
B	XS 850 (left)			850	1980 1982	R		
B	XS 850 (right)			850	1980 1982	R		
B	XV 1000 TR 1			1000	1981	F		
B	XS 1100			1100	1978 1980	F/R		
B	XS 1100 S			1100	1981	R		
FDB178	SUZUKI			B	GT 200 EN - EX	200	1979 1982	F
		B	GT 200 X 5	200	1979 1982	F		
		B	GT 250 EN - ET - EX	250	1978	F		
		B	GT 250 X7	250	1978	F		
		B	GS 500 EK - EL	500	1981 1988	F		
		B	RE 500 S A - M	500	1975 1977	F		
		B	GS 550 B - C - D	550	1977 1978	F		
		B	GS 550 EC - EN	550	1978 1979	F		
		B	GS 850 GN - GT - GX	850	1979 1981	F		
		B	GS 1000 EC - EN - HC - SN	1000	1978 1979	F		
		FDB182	HONDA	B	CB 400 N - NA - NB	400	1978 1982	F
				B	CM 400 A	400	1978 1981	F
B	CM 400 AA			400	1978 1981	F		
B	CM 400 AB-TA			400	1978 1981	F		
B	CM 400 T			400	1978 1981	F		
B	CM 400 TB			400	1978	F		
B	CM 400 TC			400	1978 1981	F		
B	CM 400 TZ			400	1978	F		



			CC	FROM	TO	FRONT / REAR		
FDB183	HONDA	B	CX 500 CA - CB	500	1979 1981	F		
		B	CB 750 F2 - F3	750	1977	F/R		
		B	CB 750 FA - FB - F2C	750	1980	F		
		B	CB 750 FZ	750	1979	F/R		
		B	CB 900 F - FZ - FA	900	1979 1981	F/R		
		B	CBX 1000	1000	1977 1980	F/R		
		B	GL 1000	1000	1981	F/R		
		B	GL 1000 K1 - 2 - 3	1000	1977 1979	F		
		B	GL 1000 KZ	1000	1977 1979	F		
		B	GL 1100	1100	1980 1981	F/R		
		FDB184	YAMAHA	B	RD 250 E - F	250	1978 1979	F/R
B	XS 250 SE - SF SPECIAL			250	1979 1981	F		
B	RD 400 E - F			400	1978	F/R		
B	XS 400 SE			400	1980 1981	F		
B	XS 850 (right)			850	1980 1982	F		
FDB185	HARLEY DAVIDSON			B	FL / FLH Electra Glide (4-speed)	1340	1972	F
				B	FL / FLH Electra Glide (4-speed)	1340	1973 1980	F/R
				B	FL / FLH Electra Glide (4-speed)	1340	1981 1984	F
		B	FLHS Electra Glide Sport	1340	1977	F/R		
		B	FX Super Glide	1340	1973	F/R		
		B	FX Super Glide	1340	1974 1977	R		
		B	FX Super Glide	1340	1978 1981	R		
		B	FXB Sturgis Belt	1340	1977 1981	R		
		B	FXE Super Glide	1340	1973	F/R		
		B	FXE Super Glide	1340	1974 1977	R		
FDB204	APRILIA	B	ST 125	125	1987	F		
		B	STX 125	125	1986	F		
		B	900 SEI	900	1978	R		
		B	R 65 650 GS	650	1989 1992	F		
		B	K 75 750 S	750	1994 2000	F/R		
		B	R 80 800 GS / PARIS-DAKAR	800	1987 1995	F		
		B	R 80 RT	800	1990 1994	F		
		B	R 100 1000 GS / PARIS-DAKAR	1000	1987 1994	F		
		B	SP 1000	1000	1978 1983	R		
		FDB205	ASPES	B	DUMA 125	125		F
B	CUSTOM 125			125	1982	F		
B	CUSTOM 250			250	1982	F		
BETA	B		TSR 125 SELF MIX	125		F		
	B		TG1 80	80		F		
GARELLI	B		TG2 80	80		F		
	B		TG3 80	80		F		
GILERA	B		GR1 125	125		F		
	B		TG1 125	125		F		
	B		TG2 125	125		F		
	B		TG3 125	125		F		
	B		T4 200	200		F		
	B		T4C 200	200		F		
	B		T4S 200	200		F		
	B		MUSTANG 125	125	1983	F		
	KREIDLER		B	MONOCILINDRO 125	125	1979	F	
			B	BICILINDRO 250	250	1979	F	
	MOTO MORINI		B	MONOCILINDRO 250	250	2000	F	
		B	SPORT 250	250	2000	F		
		B	TURISMO 250	250	2000	F		
B		GT 350	350	1976 1981	F			
B		GT 350	350	1979	F			
B		GT 350 TURISMO	350	1980	F			
B		SPORT 350	350	1980	F			
B		SPORT 350	350	1981	F			
B		SPORT 350	350	2000	F/R			
B		T.T. 500	500	1980	F			
ZUNDAPP	B	K 80	80	1980	F			
	B	KS 80	80	1980	F			

B = Bike
A = ATV
S = Snowmobile

B = Bike
A = ATV
S = Snowmobile



CC FROM TO FRONT / REAR

Model	CC	FROM	TO	FRONT / REAR
...FDB205	B	KS 125	125 1980	F
FDB207	B	ACCOSSATO	50 1989	F
	B	CE 50	50 1987	F
	B	CE 80	80 1987	F/R
	B	KR 80	80 1987	F
ALFER	B	MC 80	80 1988	F
	B	MC 80 CROSS	80 1989	F/R
	B	MC 125	125 1987	F/R
	B	MC 125	125 1988	R
	B	GR 250 ENDURO	250 1985 1987	F/R
	B	GR 250 ENDURO	250 1988	R
	B	MC 250	250 1985 1986	F
	B	MC 250	250 1987	F/R
	B	MC 250	250 1988	R
	B	GR 300 ENDURO	300 1985 1987	F/R
	B	TX 300	300 1990	R
APRILIA	B	RS 50	50 1993 1998	F
	B	RX 50	50 1996 1998	F
	B	TUAREG 50 HPC SYSTEM	50 1987	R
	B	AF1 125	125 1987	R
	B	AF1 125 EUROPA	125 1990 1991	R
	B	AF1 125 FUTURA	125 1990 1991	R
	B	AF1 125 REPLICA	125 1989 1991	R
	B	AF1 125 SINTESI	125 1989 1991	R
	B	ASR 125	125 1986	R
	B	CLASSIC 125	125 1996	R
	B	ETX 125	125 1985 1986	F
	B	LEONARDO 125	125 1995 1996	F
	B	RS 125 / TUONO 125	125 2004	R
	B	RS 125 EXTREMA - REPLICA	125 1993 1997	R
	B	RS 125 EXTREMA - REPLICA	125 1998 1999	R
	B	RS 125 EXTREMA - REPLICA	125 2000 2003	R
	B	SPORT PRO 125	125 1993 2003	R
	B	TUAREG 125	125 1986	R
	B	TUAREG 125	125 1987	R
	B	TUAREG 125 WIND	125 1990	R
	B	CLIMBER 200	200 1993	F/R
	B	MX 250	250 1983	F
	B	RS 250	250 1995 1996	R
	B	RS 250	250 1998	R
	B	RX 250	250 1983	F
	B	RX 250	250 1986	F
	B	ETX 350	350 1986	R
	B	ETX 350 AE	350 1987	R
	B	TUAREG 350	350 1987	R
	B	TUAREG 350 WIND	350 1987 1988	R
	B	ETX 600	600 1986	R
ATK (USA)	B	all models 1984-85	1984 1985	F
	B	all models 1986	1986	F
	B	all models 1987	1987	F
	B	560	560 1984 1985	F
	B	560	560 1986 1987	F
BENELLI	B	125	125 1976	F
	B	125 2 C	125 1976 1978	F
	B	125 2C Dual brakes	125 2000	F
	B	125 2T - 2 CSE	125 1976 1978	F
	B	250 4	250 1976	F
	B	250 C	250 1976 1978	F
	B	250 TS	250 1976 1978	F
	B	BX Motard (250cc)	250 2012	R
	B	350	350 1983	F/R
	B	350 4 CIL.	350 1978	F
	B	350 SPORT	350 1978	F
	B	350 SPORT II	350 1978	F
	B	350 T	350 1978	F
	B	500	500 1978	F
	B	500 LS	500 1978	F
	B	500 QUATTRO	500 1976	F
	B	650	650 1982	F
	B	650 SPORT	650 1978	F
	B	650 T	650 1978	F
BETA	B	KR 125	125 1986	F
	B	KR 125 AFRIKA	125 1987	F
	B	ALP 240	240 1996	R
	B	CR 250	250 1983	F
	B	KR 250 AFRIKA	250 1986	F
	B	KR 250 RALLY	250 1987	F
	B	GS - RV 500	500 1984	F



CC FROM TO FRONT / REAR

Model	CC	FROM	TO	FRONT / REAR
BIMOTA	B	YB 7 400	400 1989	R
	B	V DUE 500	500 1997	R
	B	YB 9 600 SRI	600 1997	R
	B	SUPERMONO 650	650 1997	R
	B	SB 7 750	750 1996	R
	B	YB 4 750	750 1989	R
	B	DB 1 - 2 900	900 1992	R
	B	MANTRA 900	900 1997	R
	B	DB 2 SR 904	904 1994 2000	R
	B	DB 4 904	904 1998 1999	R
	B	SB8K Gobert (Suzuki Engine) (996cc)	996 2006	R
	B	SB 8 1000 R	1000 1998	R
	B	YB 10 1000 BIPOSTO	1000 1992	R
	B	YB 11 1000	1000 1997	R
	B	YB 6 1000	1000 1989	R
	B	YB 8 1000 E	1000 1990	R
	B	YB 8 1000 E.I. FURANO	1000 1990	R
	B	YB 8 FURANO 1000	1000 1992	R
	B	DB5R/S (1078cc)	1078 2008 2009	R
	B	DB6 (1078cc)	1078 2008 2009	R
	B	DB6/R (1078cc)	1078 2008 2009	R
	B	Tesi-3D (1078cc)	1078 2009	R
	B	DB7 (1099cc)	1099 2009	R
	B	SB 6 1100	1100 1997	R
CAGIVA	B	COCIS 50	50 1988	F
	B	COCIS 50	50 1989	F/R
	B	CUCCILO 50	50 1997	F
	B	LUCKY EXPLORER 50	50 1988	F
	B	SUPERCITY 50	50 1993	R
	B	W4 PRO ACTION 50	50 1994	F
	B	COCIS 80	80 1989	F
	B	SUPERCITY 80	80 1994	R
	B	W4 PRO ACTION 80	80 1994	F
	B	BLUES 125	125 1988 1992	R
	B	ELEFANT 125	125 1987	F
	B	FRECCIA 125	125 1987	R
	B	FRECCIA 125 C10	125 1988	R
	B	FRECCIA 125 C10 ANNIVERSARIO	125 1989	R
	B	FRECCIA 125 C10 R	125 1988	R
	B	FRECCIA 125 C12 R	125 1989 1990	R
	B	FRECCIA 125 C12 R	125 1991	R
	B	FRECCIA 125 C9	125 1988	R
	B	K7 125 ENDURO	125 1991	R
	B	MITO 125	125 1991 1992	R
	B	MITO 125	125 1993	R
	B	MITO 2 125 PRODUCTION RACER / Trofeo	125 1994	R
	B	MITO 525SP	125 2007	R
	B	PLANET 125	125 1998	R
	B	RAPTOR 125	125 2003	R
	B	SUPERCITY 125	125 1994	R
	B	W8 125 PRO ACTION	125 1992 1995	R
	B	WMX 125 CROSS	125 1986	F
	B	ALA BLU 250	250 1983	F
	B	ALA ROSSA 250	250 1983	F
	B	ALA VERDE 250	250 1983	F
	B	SST 250	250 1980	F
	B	SSX 250	250 1982	F
	B	ST 250	250 1982	F
	B	SX 250	250 1982	F
	B	WMX 250	250 2000	F
	B	WMX 250 /1	250 1983	F
	B	WRX 250	250 1983	F
	B	ALA AZZURRA 350	350 1983	F
	B	ALA AZZURRA 350 GT	350 1987	F
	B	ALA BLU 350	350 1983	F
	B	ALA ROSSA 350	350 1983	F
	B	ALA ROSSA 350	350 1988	F
	B	ALA VERDE 350	350 1983	F
	B	ELEFANT 350	350 1985	R
	B	SST 350	350 1981	F
	B	SX 350	350 1982	F
	B	T4 350 R - ER	350 1987	F
	B	W 12 350	350 1992	R
	B	T4 500 E - ER	500 1987	F
	B	WMX 500	500 1984	F
	B	RIVER 600	600 1994	R
	B	ALA AZZURRA 650	650 1984	F/R
	B	ALA AZZURRA 650 GT	650 1987	R



CC FROM TO FRONT / REAR

...FDB207

		CC	FROM	TO	FRONT / REAR
	B	ELEFANT 650	650	1985	R
	B	W 16 650	650	1993	R
	B	DAKAR 750	750	1987	R
	B	ELEFANT 750	750	1987	R
CZ	B	CZ 180	180	1993	F
DERBI	B	TT8 75	75	1984	F
DUCATI	B	502 SINGLE	50	1993	1999 R
	B	502 SUPERMONO	50	1993	1999 R
	B	350 F3	350	1986	F/R
	B	350 INDIANA	350	1987	R
	B	350 S-GTL	350	1975	F/R
	B	350 SPORT GTV-SL-XL	350	1975	F/R
	B	400 DESMO F3	400	1987	F/R
	B	400 MONSTER	400	1995	1997 R
	B	400 MONSTER (JAPAN)	400	2000	R
	B	SS 400 JUNIOR	400	1992	R
	B	SS 400 NUDA	400	1992	R
	B	500 GTL SPORT DESMO	500	1975	F/R
	B	500 GTV	500	1977	F/R
	B	500 PANTAH	500	1977	F/R
	B	S 500	500	1975	F/R
	B	550 SUPERMONO	550	1993	1999 R
	B	600 SUPERSPORT CARENATA	600	1994	1999 R
	B	600 SUPERSPORT NUDA	600	1994	1999 R
	B	M 600 MONSTER	600	1993	1999 R
	B	M 600 MONSTER	600	2000	R
	B	M 620 MONSTER DARK (single/twin disc)	620	2003	R
	B	MULTISTRADA 620 (twin disc)	620	2005	2006 R
	B	MULTISTRADA DARK 620	620	2003	2005 R
	B	650 DESMO	650	1987	R
	B	650 INDIANA	650	1986	1987 F/R
	B	650 INDIANA	650	1987	R
	B	748 BIPOSTO	748	1995	1997 R
	B	748 BIPOSTO	748	1998	R
	B	748 RACING CLIENTI	748	1995	1997 R
	B	748 RACING CLIENTI	748	1998	R
	B	750 F1 DESMO	750	1986	R
	B	750 SUPERSPORT	750	1992	1997 R
	B	M 750 MONSTER	750	1996	1999 R
	B	M 750 MONSTER	750	2000	R
	B	SS 750 CARENATA	750	1993	1998 R
	B	SS 750 NUDA	750	1992	1998 R
	B	MONSTER 800	800	2003	2006 R
	B	MONSTER S2R 800	800	2007	R
	B	851 all models	851	1988	1992 R
	B	880 RACING	880	1994	1995 R
	B	888 all models	888	1992	1995 R
	B	900 all models	900	1992	1998 R
	B	900 I.E. PASO	900	1992	1998 R
	B	900 SUPERMONO DESMO 4	900	1993	1995 R
	B	M 900 MONSTER	900	1993	1999 R
	B	M 900 MONSTER I.E.	900	2000	R
	B	916 RACING CLIENTI	916	1995	1998 R
	B	916 STRADA / SENNA / SP / SPS	916	1994	1997 R
	B	M 916 MONSTER S4	916	2001	2002 R
	B	996 BIPOSTO	996	1999	R
	B	998 R	998	2002	R
	B	998 S	998	2002	R
	B	998 SFE	998	2003	R
	B	MONSTER 1000	1000	2003	2006 R
	B	MONSTER S2R 1000	1000	2007	R
	B	MONSTER S4R /S4RS 1000	1000	2006	2007 R
	B	MONSTER S4R S Testastretta/tricolore	1000	2008	R
FANTIC	B	CABALLERO 50 RC	50	1990	F
GARELLI	B	URKA 50	50	1991	F
	B	TIGER 125 XR	125		F
	B	TIGER 125 XRD	125		F
GILERA	B	ARIZONA 125	125	1983	F
	B	CMM APTS 125	125	1987	R
	B	CRONO 125	125	1991	R
	B	CX 125	125	1991	R
	B	FAST BIKE 125	125	1987	R
	B	GFR 125	125	1993	R
	B	HX 125 LC	125	1983	F
	B	KK 125 APTS	125	1987	R
	B	KZ 125	125	1986	R
	B	KZ 125 ENDURANCE	125	1988	R
	B	MX 1 125	125	1988	R



CC FROM TO FRONT / REAR

		CC	FROM	TO	FRONT / REAR
	B	MX R 125	125	1990	R
	B	R1 125 S	125	1988	R
	B	RX 125	125	1984	F
	B	SP 01 125	125	1989	R
	B	SP 02 125	125	1990	R
	B	XR1 125	125	1988	R
	B	XR2 125	125	1989	R
	B	FAST BIKE 200	200	1987	R
	B	RV 200	200	1985	R
	B	RV 200 ES	200	1987	R
	B	RX 200	200	1985	F
	B	RX 200 ARIZONA	200	1985	F
	B	HX 250 LC	250	1983	F
	B	NGR 250	250	1985	R
	B	RC 250 RALLY	250	1987	R
	B	RX 250 ARIZONA RALLY	250	1986	F
	B	XRT 350	350	1990	R
	B	SATURNO 500 PIUMA	500	1990	R
	B	XRT 600	600	1988	R
HERCULES	B	Lotus 80 SW	80		F
HRD	B	PLATINO 125 ST	125	1986	F
	B	ROAD 125 ST	125	1986	F
HUSQVARNA	B	CR 125	125	1985	1995 F
	B	WR 125	125	1986	F
	B	WR 240	240	1986	F
	B	CR 250	250	1985	1995 F
	B	WR 400	400	1986	F
	B	CR 500	500	1985	F
	B	510	510	1986	F
ITALJET	B	BOSS 350 ENDURO	350		F
	B	CX 350	350	1985	F
	B	ROAD MASTER 350	350		F
KEEWAY		ARN 50 (25/45)	50	2010	2011 F
		Hacker 50	50	2008	2009 F
		ARN 125	125	2006	2012 F
		Hacker 125	125	2008	2010 F
		Am 150	150	2006	2009 F
		Hacker 150	150	2008	2010 F
KTM	B	COMET 50 PL-RL-RLW-RS4L-TS	50		F
	B	MX 50	50	1987	F
	B	RSV 50	50	1986	F
	B	L-PL-RL-RS-RSL-BORA 80	80		F/R
	B	MX 80 GR - SUPER MINI	80	1986	F
	B	BAJA 125	125	1986	F
	B	GS 125 XC ENDURO SPORT	125	1986	2000 F/R
	B	MX 125 CROSS	125	1985	F
	B	MX 125 CROSS	125	1986	F/R
	B	BAJA 250	250	1986	F
	B	GS 250 XC ENDURO SPORT	250	1986	2000 F/R
	B	MX 250 CROSS	250	1985	F
	B	MX 250 CROSS - DIG.CONTR.	250	1986	F/R
	B	GS 300 XC ENDURO SPORT	300	1986	2000 F/R
	B	COUNTRY 350 CROSS E	350	1985	F
	B	GS 350 ENDURO SPORT	350	1983	F
	B	GS 390 ENDURO SPORT	390	1983	F
	B	MX 495 MC LELEU	495	1982	1983 F
	B	GS 500 K4 ENDURO	500	1983	F
	B	MX 500 CROSS	500	1985	F
	B	MX 500 CROSS	500	1986	2000 F/R
	B	GXE 550	550	1986	2000 F/R
	B	ENDURO 600 all models	600	1986	2000 F/R
	B	GS 600 ENDURO SPORT	600	1985	F
	B	XC-XCE 600 CROSS COUNTRY-BAJA	600	1985	F
LAVERDA	B	OR 50 ATLAS	50	1987	F/R
	B	125	125	2000	F
	B	GS 125 LESMO	125	1986	F/R
	B	350	350	1980	F/R
	B	ALPINO 500	500	1977	F/R
	B	PF 500	500	1977	F/R
	B	RS 500	500	1977	F/R
	B	OR 600	600	1986	F
	B	650 (all models)	650	1995	1996 R
	B	LYNX 650	650	2000	R
	B	GHOST - DIAMANTE 668	668	1997	1998 R
	B	750 S (all models)	750	1999	R
	B	CUP 750	750	1998	R
	B	DIAMANTE 750	750	1997	R
	B	JOTA 1000	1000	1995	R

B = Bike
A = ATV
S = Snowmobile

FERODO
MOTORCYCLE PADS
Updated on 9th Oct 2015

B = Bike
A = ATV
S = Snowmobile

3005



CC FROM TO FRONT / REAR

CC	FROM	TO	FRONT / REAR
...FDB207	MAICO	B GM 250 CROSS	250 1984 F
		B GME 250 ENDURO	250 1984 F
		B GM 500 CROSS	500 1984 F
		B GME 500 ENDURO	500 1984 F
	MALANCA	B E2 C 80 CS	80 F/R
		B GTI 125	125 F/R
		B MARK 125 ENDURO	125 F
	MONTESA	B COTA 309	309 1989 R
		B COTA 314 R	314 1994 R
	MONTESA (HONDA)	B MH 311 260	260 1992 1993 R
		B COTA 310	310 1989 R
		B COTA 310 4T / 4RT	310 2007 R
		B MH 314 R	314 1994 1997 R
		B MH 315 R	315 1997 2000 R
	MOTO GUZZI	B 2C 125 4T	125 1979 F
		B TT 125	125 1985 F
		B TS 250	250 1974 1975 F
		B TS 250	250 1976 1982 F/R
		B GTS 350	350 1974 1979 F/R
		B NEVADA 350	350 1993 F/R
		B NTX 350	350 1987 F/R
		B NTX 350	350 1990 F
		B V 35 350	350 1977 F/R
		B V 35 350 C	350 1982 F/R
		B V 35 350 FLORIDA	350 1987 F/R
		B V 35 350 GT	350 1990 R
		B V 35 350 IMOLA	350 1970 1983 F/R
		B V 35 350 IMOLA II	350 1984 F/R
		B V 35 350 TT ENDURO	350 1984 F/R
		B GTS 400	400 1974 1979 F/R
		B V 50 500	500 1977 1980 F/R
		B V 50 500 C	500 1982 F/R
		B V 50 500 III	500 1980 F/R
		B V 50 500 MONZA	500 1980 1983 F/R
		B V 50 500 MONZA II	500 1984 F/R
		B NTX 650	650 1990 F
		B V 65 650	650 1981 1983 F/R
		B V 65 650 FLORIDA	650 1987 F/R
		B V 65 650 GT	650 1990 R
		B V 65 650 II ENDURO	650 1984 F/R
		B V 65 650 LARIO	650 1984 F/R
		B V 65 650 SP CHOPPER	650 1981 F/R
		B VT 650 TT BAJA	650 1986 R
		B SP 750 NEVADA	750 1992 F/R
		B SP 750 NEVADA CLUB	750 2000 2002 F/R
		B T 750	750 1992 1994 F/R
		B QUOTA 1000	1000 1993 1995 R
		B LE MANS V 11	1064 2001 R
		B SPORT 1100	1100 1994 1999 R
	MOTO MORINI	B CAMEL 501	50 1987 R
		B CAMEL 501	50 2000 F
		B COGUARO 501	50 1989 R
		B EXCALIBUR 501	50 1987 1988 R
		B EXCALIBUR 501	50 1989 R
		B NEW YORK 501	50 1989 R
		B BLUES 125	125 1993 R
		B COGAURO 350	350 1990 R
		B DART 350	350 1988 1989 R
		B DART 350	350 1990 R
		B EXCALIBUR RLX 350	350 1990 R
		B KANGURO 350	350 1987 R
		B NEW YORK 350	350 1989 R
		B WS 350 PRO ACTION	350 1993 R
		B DART 400	400 1990 R
	MZ	B SKORPION CUP / SPORT / TOUR / TRAVELLER	660 1995 R
		B SKORPION REPLICA	660 1995 R
	NORTON	B FORMULA 1	588 1989 1991 R
	PUCH	B MAXI 80	80 1988 R
		B CROSS 250	250 1986 1986 F
		B HFE 250	250 1986 1986 F
		B ENDURO 600 4 VALVES	600 1985 F/R
	SWM	B S1 125	125 1983 F
		B S2 125	125 1983 F
		B S1 250	250 1983 F
		B S2 250	250 1983 F
	TM	B GS 80	80 1986 1989 R
		B MC 80	80 1986 1989 R
		B GS 125	125 1986 1989 R



CC FROM TO FRONT / REAR

CC	FROM	TO	FRONT / REAR
		B MC 125	125 1986 1989 R
		B SMM 125 (2T) Black Dream (320mm front disc)	125 2008 2013 R
		B SMM 125 Black Dream (Rim brake)	125 2004 2007 R
		B SMM 250 (2T)	250 2005 R
		B SMM 300 (2T)	300 2005 R
		B SMM 400 (4T) (Rim brake)	400 2004 2004 R
		B SMM 450 F Black Dream ES (320mm front disc)	450 2008 2010 R
		B SMM 450 Fi (4T)	450 2011 R
		B SMM 530 F Black Dream (Rim brake)	530 2004 2007 R
		B SMM 530 F Black Dream ES (320mm front disc)	530 2008 2010 R
		B SMR 530 Fi ES	530 2015 R
	TORNAX	B RX 80	80 R
	TRE SOLDI	B CR 80	80 1985 F
	YAMAHA	B TDR 125	125 1992 R
		B TZR 125 (Italia)	125 1991 R
		B TZR 125 RED ROCKET	125 1993 R
		B SZR 660	660 1996 1997 R
	ZUNDAPP	B KS 80 SUPER	80 1980 F
FDB213	ATK (USA)	B all models 1986	1986 R
		B all models 1988	1988 R
		B 560	560 1986 1987 R
	BENELLI	B 254	254 1979 F
	BETA	B MS 50	50 1980 F
		B SQUIRREL 50	50 1983 F
	CASAL	B RZ 50	50 F
	CIMATTI	B Gringo 50	50 F
	FANTIC	B STRADA 50 SUPER SIX	50 1973 F
	GARELLI	B CICLONE 50 N DE LUXE SELF MIX L.C	50 F
	HERCULES	B Lotus 80 SA	80 F
	HERCULES (SACHS)	B CHOPPER 50	50 F
		B RX - 9 / RX - 9 50 AIRCOOLED	50 F
		B SUPRA 50 4 GP	50 F
		B ULTRA 50 RS	50 F
		B ULTRA 50 RS 40	50 F
		B ULTRA 80 RS	80 F
		B ULTRA 80 RS AC	80 F
		B ULTRA 125 RS	125 F
	HOREX	B REBELL 80 N	80 F
		B REBELL 80 SPORTL	80 F
		B REBELL 80 T	80 F
	MACAL	B TR 50 TROPHY	50 1999 F
	MALAGUTI	B CHOPPER 25	25 2000 F
		B CHOPPER 40	40 2000 F
		B FIFTY 50 HF	50 2000 F
		B GRIZZLY 50 RCX / "12"	50 1987 F
		B LX 50 SPORT	50 2000 F
		B RCW 50 RONCO	50 2000 F
		B VA 50 OLYMPIQUE	50 2000 F
		B WC 50 WATERCOOLED	50 2000 F
		B CHOPPER 80	80 2000 F
	MALANCA	B GT 5 50	50 F
		B ST 54	54 F
		B 125	125 F
	MOTO GUZZI	B TURISMO 125	125 1974 1981 F
	MOTRON	B V 3 50 RID	50 F
	OSSA	B TU-YO 360	360 F/R
	PUCH	B GTL 50	50 F
		B MONZA 50	50 1984 F
		B 80 /6	80 F
		B 348	348 F
		B 504	504 F
		B 506	506 F
		B 560 (Rotax engine)	560 F
	REAL	B NEVADA 80 SPORT	80 F
	RIXE	B RS 80 W	80 F
	ZUNDAPP	B KS 50 SPORT	50 F
		B KS 50 SUPER SPORT	50 F
		B KS 100	100 F
FDB217	SUZUKI	B GS 550 ET - EX - EZ	550 1980 1984 F
		B GS 550 LT - LX	550 1980 1984 F
		B GS 550 MEX	550 1981 1983 F
		B GS 550 MEZ KATANA	550 1981 1983 F
		B GR 650 - X	650 1983 F
		B GS 650 GTX - GTZ - GX	650 1981 1983 F
		B GS 650 GZ KATANA	650 1981 1983 F
		B GS 650 TURBO	650 1983 F
		B GS 650 XN - 85 TURBO	650 1983 F
		B GS 1000 ET	1000 1980 1981 F



CC FROM TO FRONT / REAR

Code	Brand	Model	CC	FROM	TO	FRONT / REAR
...FDB217		B GSX 1000 S KATANA	1000	1982		F
		B GSX 1100 E - EF - ES	1100	1980	1982	F
		B GSX 1100 G	1100	1980	1982	F
		B GSX 1100 S KATANA	1100	1982	1983	F
FDB218	SUZUKI	B GN 250	250	1993	1997	F
		B GN 250 F / J	250	1983	1997	F
		B GNX 250 E	250	1983		F
		B GS 250 E	250	1979	1981	F
		B GS 250 T - TT - TX	250	1979	1981	F
		B GSX 250 E - ET - EX - EZ - T	250	1979		F
		B GSX 250 S	250	1985	1990	F
		B GN 400 TT	400	1980		F
		B GSX 400 ET - EX - EZ	400	1980	1983	F
		B GSX 400 L	400	1980	1983	F
		B GSX 400 TWIN	400	1980	1983	F
		B GSX 400 TX - LX	400	1981	1983	F
		B GS 450 ET - L - T	450	1980	1980	F
		B GS 700 E - ES	700	1985		F
		B GV 700 GL	700	1985		F
		B GV 700 GL MADURA	700	1984		F
		B GSX 750 EFE - ESD - ESG - ESE - SEH - EFF	750	1980	1986	F
		B GSX 750 ET - EX	750	1980	1981	F
		B GSX 750 S KATANA	750	1980		F
		B GS 850 GZ - GE - GG	850	1982	1985	F
B GS 1000 GT - GX	1000	1980		F		
B GS 1100 GZ	1100	1982		F		
B GV 1200 GL MADURA	1200	1985	1986	F		
FDB220	KAWASAKI	B Z 1000 E1 - E2 - SHAFT - ST	1000	1979	1981	F
		B Z 1300	1300	1979	1983	F
		B ZG 1300 DF1	1300	1984	1986	F
FDB244	HONDA	B CB 125 TDC - TDE - TDJ	125	1983	1989	F
		B CN 250 HELIX	250	1986	1987	F
		B NS 250 RF	250	1984	1986	F/R
		B NSR 250	250	1986		R
		B NSR 250 R	250	1986	1987	R
		B CBR 400 RG (NC23) 100	400	1986	1986	R
		B CBR 400 RH-YA (NC23) 101	400	1986	1986	R
		B CBX 400 C	400	1983		R
		B FT 400	400	1982		F/R
		B NS 400 RF - RG	400	1985		R
		B NV 400 SP CUSTOM	400	1988		R
		B VF 400 F INTEGRA	400	1982		R
		B VFR 400 R	400	1986	1987	R
		B CMX 450 CG REBEL	450	1986	1988	F
		B CX 500 CC - EC	500	1982		F/R
		B CX 500 T (TURBO)	500	1983		F/R
		B FT 500 - C	500	1982		F/R
		B GL 500 DC	500	1982		F
		B GL 500 SILVER WING INTERSTATE	500	1982		F
		B VF 500 FE - F2E	500	1984		F
		B VF 500 FF - F2F	500	1984		F
		B VT 500 CD - FT	500	1982		F
		B XBR 500 S - F - G - H	500	1985		F
		B XL 600 LM-RM-R-V-L	600	1985	1990	F
		B XL 600 V TRANSALP	600	1987	1990	F
		B CB 650 SCD	650	1983		F
		B CBX 650 ED	650	1983		F
		B CX 650 EC - T	650	1983		F/R
		B CX 650 ED	650	1982		F
		B CX 650 TD (TURBO) E	650	1983		F/R
		B GL 650 D2TE	650	1983		F
		B GL 650 DD - ID	650	1983		F
		B CB 700 SC NIGHT HAWK	700	1984		F
		B VF 700 C MAGNA	700	1984		F
		B VF 700 C MAGNA	700	1985		F
		B VF 700 F INTERCEPTOR	700	1984	1985	F
		B VF 700 S SABRE	700	1984		F
		B VT 700 C SHADOW	700	1986		F
		B VT 700 C SHADOW	700	1987		F
		B B 750 EC - ED	750	1982		F/R
		B B 750 F2 - F2D	750	1982		F/R
		B CB 750 K	750	1982		F/R
		B CB 750 SC NIGHTHAWK	750	1982	1983	F
		B CBX 750 FE	750	1983	1984	F
		B VF 750 C-SC-CC-F-FC	750	1983		F
		B VF 750 F-FD-FE-MAGNA-SABRE-INT	750	1982		F
		B VT 750 C SHADOW	750	1983	1985	F
		B VT 750 C SHADOW	750	1986	1986	F



CC FROM TO FRONT / REAR

Code	Brand	Model	CC	FROM	TO	FRONT / REAR
		B XLV 750 R - RD - RF	750	1984	1988	F
		B VT 800 C	800	1988		F
		B CB 900 F2B - FB	900	1982	1983	F/R
		B CB 900 FD - FC - F2C - F2D	900	1983	1985	F/R
		B CBX 1000 B - C	1000	1981	1982	F/R
		B VF 1000 - 2	1000	1984	1986	F
		B VF 1000 BOL D'OR	1000	1984	1986	F
		B VF 1000 F - FE	1000	1984	1986	F
		B VF 1000 RE - RF	1000	1984	1986	F
		B CB 1100 FD	1100	1980	1983	F/R
KAWASAKI		B CB 1100 RBI - II	1100	1980	1983	F/R
		B CB 1100 RCII	1100	1980	1983	F/R
		B CBX 1100 F	1100	1982	1985	R
		B GL 1100 / DX	1100	1982		F/R
		B VT 1100 C	1100	1985	1993	F
		B VT 1100 C MAGNA	1100	1983	1985	F/R
		B GL 1200 DX all models	1200	1984	1986	F/R
		B GL 1500 GOLD-ASPENCADE	1500	1992		R
		B GL 1500 SE GOLD WING	1500	1993	2000	R
		B GL 1520	1500	1988	1989	R
FDB247	YAMAHA	B VT 800 C	800	1988	1990	F
		B XS 750 SE - SG	750	1979	1980	F
		B XV 750 SE	750	1981		F
		B XS 850 (left)	850	1980	1982	F
FDB250	CAGIVA	B WR 125	125	1993		R
		B "S" FIVE / "E" FIVE	50	2001		F
DAELIM		B CORDI 50	50	2004		F
		B GZ 50 MESSAGE	50	2001	2003	F
		B TAPO 50	50	1999	2003	F
		B VIVO 50	50	1999		F
		B ALTINO 100	100	1999		F
		B DELFINO 100	100	1999	2000	F
		B DELFINO 100	100	2001	2003	F
		B ALTINO 125	125	2001		F
		B HISTORY 125	125	2001		F/R
		B NS 125	125	2001		F/R
		B OTELLO / NS 125	125	1999		F
		B VS 125	125	1995	1998	F
		B CRM 50	50	1988	1992	F
		B CRM 50	50	1993	1996	F
		B G-DASH 50	50	1989	1992	F
		B MB 50	50	1982		F
		B MXR 50	50			F
		B CR 80 R	80	1987	1991	F
		B CR 80 R	80	1992	2006	F
		B CRM 80	80	1988	1992	F
B CRM 80	80	1993		F		
B MBX 80 FWD	80	1983		F		
B CB 125 RS	125	1983		F		
B RS 125 R	125	1995		R		
B RS 250 R	250	1995		R		
B SILVER WING 600 (hand brake)	600	2001		F		
HONDA 3 WHEELERS		A ATC 250 R	250	1981	1982	F
		B 125 ALL MODELS 1992	125	1992		R
HUSQVARNA		B 250 ALL MODELS 1992	250	1992		R
		B TC 610 CROSS	610	1991		R
HYOSUNG ATV		B TE 610	610	1991		R
		A TE 450 S	450	2007	2010	F/R
KAWASAKI		B KX 65	65	1999		R
		B KX 65	65	2000		R
KAWASAKI ATV		B BN 125 A1/A2 ELIMINATOR	125	1998	1999	F
		B KH 125 K1	125	1982	1998	F
		B KLX 125 C	125	2010		R
		B KLX 125 D (D-Tracker)	125	2010		R
KEEWAY		A KVF 300 PRAIRIE (2x4/4x4)	300	1999	2002	F
		A KVF 360 PRAIRIE (All Models)	360	2003	2010	F
MOTRON		A Dragon 250 Quad	250	2007	2009	R
		B KCV 50	50			F
PEUGEOT		New Vivacity 50cc /2T	50	2008	2012	F
		New Vivacity 50cc /4T	50	2008	2012	F
		New Vivacity Sixtes 50cc/4T	50	2010	2012	F
PGO ATV		Sum-Up (125cc)	125	2008	2011	F
		A Bugrider 50 (Buggie)	50	2006	2006	R
QUADZILLA		A Bugxter BR150 A	150	2005	2007	R
		A BR 200	200	2007	2008	R
SINNIS		125 T-8G Ecocity 125	125	2007	2009	F
		B QM 125 GY-2B (A) Apache 125 (Rear disc model)	125	2009	2010	R
		B QM 125 GY-2B Blade 125	125	2009	2010	R

B = Bike
A = ATV
S = Snowmobile

FERODO
MOTORCYCLE PADS
Updated on 9th Oct 2015

B = Bike
A = ATV
S = Snowmobile

3007



CC FROM TO FRONT / REAR

Code	Brand	Model	CC	FROM	TO	FRONT / REAR		
FDB250	SUZUKI	QM 125 T- Matrix	125	2010		F		
		QM 125 T-10H Matrix II	125	2010		F		
		QM 125 T-10R Eagle 125	125	2010		F		
		DR 125 S	125	1986	1993	F		
		TS 125	125	1990	1996	R		
		TS 125 RK	125	1989		F		
		TS 125 X	125	1988		F		
		TX 125 XF	125	1985		F		
		DR 200	200	2000		F		
		DR 200 K	200	1989	1998	F		
		DR 250 S	250	1986	1989	F		
		RH 250 X	250	1987		F		
		TS 250 X all models 250	250	1986	1989	F		
		SUZUKI ATV	A LT-F 250 K OZARK	250	2002	2007	F	
			A LT-A/F 400 EIGER (All models)	400	2002	2008	F	
			A LT-A 500 FK2 VINSON 4x4	500	2001	2007	F	
		SYM ATV	A LT-A/F 500 FK VINSON	500	2003	2007	F	
			A Quadlander 600	600	2008	2010	F	
	UM ATV	A Quadraider 600	600	2006	2007	F		
		A MTX 450	450	2008		F/R		
	YAMAHA ATV	A YFS 200 BLASTER	200	2003	2006	F		
		A YFM 250 Big Bear	250	2007	2009	F		
		A YFM 250 BRUIN	250	2005	2006	F		
		A YFM 350 2x4 Grizzly	350	2007	2010	F		
		A YFM 350 4x4 Grizzly	350	2007	2010	F		
		A YFM 350 BRUIN (All Models)	350	2004	2006	F		
		A YFM 350 FW 4WD BIG BEAR	350	1999	2003	F		
		A YFM 350 FX WOLVERINE	350	1995	2007	F		
		A YFM 350 X Wolverine	350	2006	2009	F		
		A YFM 350 XT/XU WARRIOR	350	1987	1988	R		
		A YFM 350 XW-XS WARRIOR	350	1989	2004	F		
		A YFZ 350 A/B/D/E/F BANSHEE	350	1990	2006	F		
		A YFM 400 4x4 Grizzly	400	2007	2008	F		
		A YFM 400 BIG BEAR (All Models)	400	2000	2007	F		
		A YFM 400 FW Kodiak	400	1999	2000	F		
		A YFM 400 FW KODIAK (All Models except AUTO)	400	2000	2006	F		
		A YFM 400 KODIAK AUTO	400	2003		F		
		A YFM 450 Grizzly (All models)	450	2007	2010	F		
	A YFM 450 KODIAK	450	2003	2006	F			
	A YFM 450 WOLVERINE (All models)	450	2006	2010	F			
	FDB277	YAMAHA	B RD 50 MX	50	1981	1987	F	
			B RD 80 AIR COOLED	80	1981	1982	F	
			B RD 80 MX	80	1981	1982	F	
			B RX 80 SE	80	1982		F	
			B RD 250 LC	250	1981	1983	F	
			B RD 350 LC	350	1981	1982	F	
			B XJ 550	550	1981	1984	F	
			B XJ 750	750	1982	1984	F	
B XV 1000 SE MIDNIGHT SPECIAL			1000	1983		F		
B XS 1100 S			1100	1981		F		
FDB298	KAWASAKI	B Z 250 A3	250	1981	1983	F		
		B Z 250 J1	250	1981	1983	F		
		B GPZ 400	400	1983	1984	R		
		B Z 400 GP (M1)	400	1983		R		
		B Z 440 C2	440	1981		F		
		B Z 440 D5 LTD	440	1981	1983	F		
		B Z 440 H1 - H2	440	1981	1983	F		
		B Z 550 GP	550	1984		R		
		B Z 550 GP D1 - H1 - H2	550	1981	1983	R		
		B GT 750	750	1985	1996	R		
		B Z 750 E1	750	1980		R		
		B Z 750 GP R1	750	1982		R		
		B Z 750 H1 - H2 LTD	750	1980		R		
		B Z 750 L1 - L3	750	1981		R		
		B Z 750 LTD TWIN K1	750	1983		F		
		B Z 750 P1	750	1981		R		
		B Z 750 P2 SHAFT	750	1981		R		
		B Z 750 P2 SHAFT GT	750	1981		R		
		B Z 750 SPORT	750	1984		R		
		B KZ 1000 all models	1000	1982	1990	F/R		
		B Z 1000 LTD	1000	1981		R		
		B GPZ 1100 (ZX 1100 B1-B2)	1100	1982	1983	F/R		
		B Z 1100 A1/3 - B1/2 - F1	1100	1981	1983	R		
		B Z 1100 GP	1100	1981	1983	R		
		B Z 1100 ST	1100	1981	1983	R		
		FDB299	KAWASAKI	B GPZ 400	400	1983	1984	F
				B Z 400 GP (M1)	400	1983		F
				B Z 400 J2 - J3	400	1981	1983	F



CC FROM TO FRONT / REAR

Code	Brand	Model	CC	FROM	TO	FRONT / REAR	
FDB310	HONDA	B Z 550 A3 - C1 - C2 LTD	550	1980		F	
		B Z 550 GP	550	1984		F	
		B Z 550 GP D1 - H1 - H2	550	1981	1983	F	
		B Z 650 F2 - F4	650	1980	1983	F	
		B GT 750	750	1985	1996	F	
		B Z 750 E1	750	1980		F	
		B Z 750 GP R1	750	1982		F	
		B Z 750 H1 - H2 LTD	750	1980		F	
		B Z 750 L1 - L3	750	1981		F	
		B Z 750 P1	750	1981		F	
		B Z 750 P2 SHAFT	750	1981		F	
		B Z 750 P2 SHAFT GT	750	1981		F	
		B Z 750 SPORT	750	1984		F	
		B Z 750 Y1 LTD	750	1982		F	
		B Z 1000 LTD	1000	1981		F	
		B Z 1100 A1/3 - B1/2 - F1	1100	1981	1983	F	
		B Z 1100 GP	1100	1981	1983	F	
		B Z 1100 SPECTRE - LTD	1100	1981	1983	F/R	
B Z 1100 ST	1100	1981	1983	F			
FDB311	YAMAHA	B RD 80 LC1	80	1982		F	
		B RD 80 LC2 - LCS	80	1982		F	
		B RD 125 LC	125	1982	1984	F	
		B SR 125	125	1993	1996	F	
		B XV 240 VIRAGO	240	1991	1992	F	
		B XV 240 VIRAGO	240	1992	2000	F	
		B SR 250 E (España)	250	1990	1994	F	
		B XV 250 VIRAGO	250	1993	1994	F	
		B RD 350 YPVS	350	1983	1984	F	
		B XT 350 4 VALVES	350	1985		F	
FDB312	BETA	B R 150 (Minicross /4T/49cc)	50	2010	2012	F	
		CFMOTO	CF 250 T - 6A (Scooter)	250	2012		F
		DAELIM	CITY ACE 110	110	2003		F
		HONDA	B MBX 50 SD - SF	50	1983		F
			B NSR 50	50	1993	1994	F
		B NSR 50 (Spain)	50	1988	2000	F	
		B NSR 75 / FII	75	1988		F	
		B MBX 80	80	1982		F	
		B MBX 80 (ESPANA)	80	1984		F	
		B MBX 80 DX	80	1982		F	
B MBX 80 VOLLUERKLEIDUNG	80	1985		F			
ITALJET	HYOSUNG	B NSR 80 R	80	1987	1992	F	
		B CH 125 SPACY	125	1998		F	
		B FS 125 Sonic	125	2003	2004	F	
		B MBX 125 RWB	125	1984	1986	F	
		B CB 250 REBEL	250	1986		F	
		B COMET 125 / GT 125R	125	2004		F/R	
		B GV 125 AQUILA	125	2001		F	
		B KARION RT 125 D	125	2002		F	
		B RX 125	125	2001	2007	F	
		B RX 125 SM	125	2007		F/R	
		B XRX 125 OFFROAD	125	1999		F	
		B COMET 250 / GT 250R	250	2004		F/R	
		B GV 250 AQUILA	250	2001		F	
		B COMET GT 650	650	2006	2009	F/R	
		B COMET GT 650 / R	650	2010		R	
		B COMET GT 650R	650	2004	2009	F/R	
		B GT 650 R / S	650	2004		F/R	
		B GV 650	650	2004	2005	F	
B GV 650 AQUILA	650	2006		F/R			
B AQUILA GV 700	700	2010		R			
B GV 1000	1000	2004		F			
B GRIFON 650	650	2007		F			



CC FROM TO FRONT / REAR

CC	FROM	TO	FRONT / REAR						
...	FDB312	JONWAY	YY 50 QT-10 (2T) Viper	50	2007	2009	F		
			YY 50 QT-10 (4T) Viper	50	2007	2009	F		
			YY 50 QT-28 (2T) Raptor	50	2007	2009	F		
			YY 50 QT-28 (4T) Raptor	50	2007	2009	F		
			YY 50 QT-6 (2T) Agility	50	2007	2009	F		
			YY 50 QT-6 (4T) Agility	50	2007	2009	F		
			YY 80 QT-6 (4T) Agility	80	2007	2009	F		
			YY 150 T-19	150	2008	2009	F/R		
			YY 250 T-19	250	2008	2009	F/R		
		KEEWAY	50 Zahara (2T/4T)	50	2013		F		
			Agora 50 (2T/4T)	50	2010		F		
			110 Kee	110	2012		F		
			125 Link	125	2013		F/R		
		B	125 Strike	125	2013		F		
			125 Zahara (2T/4T)	125	2013		F		
			RKS 125	125	2010	2011	F		
			150 Link	150	2013		F/R		
		B	150 Strike	150	2013		F		
			200 Link	200	2013		F/R		
			Vertigo 125	125	2013		F		
		KSR MOTO BY GENERIC	ACTIV 50 SR	50	2008	2011	F		
			JETIX 50	50	2010	2010	F		
			NEXXON 50	50	2008	2009	F/R		
			JETIX 125	125	2010	2010	F		
			NEXXON 125	125	2007	2008	F/R		
		B	PULSAR 125	125	1999	2013	F		
		B	STRAIGHT 150	150	2008		F/R		
			50 N Pato	50	2008	2010	F/R		
			125 N Pato	125	2008	2010	F/R		
			151 N Pato	150	2008	2010	F/R		
		PEUGEOT	Speedfight 3 (50cc A/C - 2T)	50	2009	2012	F		
			Speedfight 3 (50cc L/C - 2T)	50	2009	2012	F		
			Speedfight 3 - RS (50cc - A/C - 2T)	50	2010	2012	F		
			Speedfight 3 - RS (50cc L/C - 2T)	50	2009	2012	F		
			Speedfight 4 (50cc 2/4 T)	50	2015		F		
		SINNIS	Nitro 50 (2T)	50	2009	2010	F		
			Strike 50 (2T)	50	2009	2010	F		
			WY 125 T-56A Nitro 125	125	2009	2010	F		
		FDB313	ADLY	B	Cat 50	50	1998	F	
				B	G-Shock 50	50	1998	F	
				B	Super Sonic 50	50	2000	F	
				B	Thunderbike 50	50	1997	F	
				B	Cat 100	100	1998	F	
				B	G-Shock 100	100	1998	F	
				B	Cat 125	125	1998	F	
			ADLY ATV	A	300 Utility	300	2006	F/R	
				A	Interceptor 300	300	2006	F/R	
			APRILIA	B	RS4 50 (JJ caliper)	50	2011	R	
					Scarabeo 100 (4T)	100	2010	2012	F
				B	RS4 125 4T (JJ caliper)	125	2011	R	
				B	RS4 125 4T SBK Replica (JJ caliper)	125	2015	R	
			BOMBARDIER ATV	A	RALLY 200	200	2003	2007	F
			CAN AM ATV	A	DS 90 X (2x4/4T)	90	2008	2010	F/R
				A	Rally 200	200	2007		F
			CPI	B	HUSSAR 50	50	2001	2002	F
			DINLI ATV	A	Diamond Back 90	90	2006		R
			E-TON ATV	A	BXL-50 Draco	50	2005	2006	R
				A	Viper 50 Mini RXL 50 M (4T)	50	2003	2007	R
				A	Viper 50 RXL 50	50	2003	2007	R
				A	Viper 70 RLX 70/70M (2T/4T)	70	2005	2009	R
				A	RXL 90 R Viper 90 R Reverse (2T/4T)	90	2003	2009	R
				A	RXL 90 Viper 90	90	2003	2006	R
				A	BXL 100 Draco	100	2005	2006	R
				A	Viper EXL 150 ST Quad	150	2005	2006	F
				A	Yukon ELX 150	150	2005	2006	F
				A	Vector VXL 250 ST Quad	250	2006	2009	F/R
			HONDA	B	MB 80	80	1980		F
				B	MCX 80 all models	80	1982	1984	F
			HYOSUNG	B	AVANTI 50	50	1999		F
				B	RUSH 50	50	1997		F
				B	SENSE 50	50	1998		F
				B	SF 50 / RALLY / RACING	50	1999		F
				B	SUPER CAB 50	50	1995	1997	F
				B	SUPER CAB 50 PLUS	50	1998		F
				B	CAB 100	100	1998		F
				B	KR 110 MASTER	110	2004		F
				B	MIDAS 110 PLUS	110	1998		F
			KAWASAKI	B	AR 50	50	1981	1995	F



CC FROM TO FRONT / REAR

CC	FROM	TO	FRONT / REAR								
			B	KMX 50	50	1988		F			
			B	KSR 50 I/II	50	1990	1991	F			
			B	AR 80	80	1981	1982	F			
			B	KD 80	80	1988	1990	F			
			B	KX 80 E2	80	1984	1986	F			
			B	KX 80 R3	80	1993	1996	F			
			B	KX 80 S1 - V1	80	1988	1991	F			
			B	KX 100	100	1988	1991	F			
			B	KDX 125 A1	125	1990	1994	F			
			B	KMX 125	125	1986	2001	F			
			B	KX 125 B1	125	1981		F			
			B	KMX 200	200	1988	1992	F			
			B	KX 250 B1	250	1982		F			
			A	KAWASAKI 3 WHEELERS	250	1984	2000	R			
			A	KAWASAKI ATV	250	1989		R			
				KEEWAY	F-Act 50 EVO (2T)	50	2009		R		
					Flash 50	50	2007	2009	F		
					Hurricane 50	50	2007		F		
					Hurricane 50-Base	50	2007		F		
					Pixel 50	50	2008	2012	F		
					Matrix 125	125	2006	2007	F		
				A	Dragon 250 Quad	250	2007	2009	F		
					350i Index	350	2013		R		
				KSR MOTO BY GENERIC	Jump 50 (2T)	50	2012		F		
				MALAGUTI	B	CENTRO 50 4T / SL 4T	50	2008		F	
				PEUGEOT	B	BUXI RS 50	50	1994	1997	F	
						Kisbee 50 (4T)	50	2010	2012	F	
						Kisbee RS 50 (4T)	50	2010	2012	F	
				B	SPEEDFIGHT 50 M (Heng-Tong caliper)	50	1997		F		
				B	SQUAB 50 (Heng-Tong caliper)	50	1996	2001	F		
				B	TREKKER 50 ROAD	50	1997		F		
					Vivacity 2 50	50	2008	2011	F		
					DJANGO 150 (SPORT-ID-HERITAGE-EVASION-ALLURE)	150	2015		R		
					Metropolis GT Connect Parking Brake	400	2015		R		
				PGO	B	COMET 50	50	1991		F	
					B	GALAXI 50	50	1992		F	
						Mega 50	50	1994		F	
					B	PS 50	50	1993		F	
					B	GALAXI 90	90	1992		F	
					A	X Rider 50	50	2004	2005	R	
					A	XL-Rider 50	50	2007	2008	R	
					A	X Rider 90	90	2004	2005	R	
					A	X Rider 110	110	2004	2005	R	
					A	X Rider 150	150	2004	2005	R	
					PIAGGIO	B	NGR 50 POWER DD / Silver Bullet	50	2005		F
					B	NGR 50 POWER DT	50	2005	2007	F	
					B	NRG 50 Power DD	50	2005	2013	F	
					B	NRG 50 Power DT	50	2005	2013	F	
					B	NRG 50 Power Pure Jet	50	2004	2010	F	
					B	NRG 50 Silver Bullet	50	2010	2010	F	
					POLARIS ATV	A	Phoenix 200 (Rear disc model)	200	2005	2008	F/R
					A	PHOENIX 200 (Rear drum model)	200	2005	2010	F	
					A	Sawtooth 200 (Rear disc model)	200	2006		F/R	
					A	SAWTOOTH 200 (Rear drum model)	200	2006		F	
					QUADZILLA	A	ZR 50	50	2007	2009	R
					SHERCO	B	50 SE-R	50	2014		F/R
						B	50 SM-R	50	2014		F/R
						B	X-Ride125	125	2012		F/R
						B	X-Ride 290	290	2012		F/R
					SUZUKI	B	ADRESS 50	50	1992	1995	F
						B	SEPIA 50	50	1992	1995	F
						B	SEPIA AU 50 ZZ	50	1996	1998	F
						B	TUNE 50	50	1993	1995	F
						B	ZZ 50	50	1992	1995	F
						B	LIDO 75	75	1989		F
						B	AH 80	80	1992	1994	F
						B	RM 80 L/M	80	1990	1994	F/R
						B	RM 80 X	80	1986	1989	F
						B	RM 80 XT-XV - X	80	1996	2001	R
						B	RM 85 L	85	2002	2004	R
						B	ADDRESS 100 V	100	1992	1996	F
						B	LIDO 125 VARIO	125	1990	1993	F
						B	GV 1400	1400	1985	1986	R
						B	203 TRIGGER 50	50	2002		F
							303Revolution (50cc)	50	2002	2003	F
							303RHawk/Laser (50cc)	50	2004		F
							Bullet 2 50 (2T)	50	2011	2012	F
							Bullet 50 RR (2T)	50	2011	2012	F/R

B = Bike
A = ATV
S = Snowmobile

B = Bike
A = ATV
S = Snowmobile



CC FROM TO FRONT / REAR

CC	FROM	TO	FRONT / REAR
...	FDB313		
		Bullet 50 RS (2T)	50 2011 2012 F/R
		City50cc (2T)	50 2007 2008 F
		City50cc (4T)	50 2007 2011 F
		Delivery/Express50 (From F/E No 609100)	50 2006 2012 F
		F409Cruise 50/125	50 2002 2005 F
		HighWheel 50	50 2002 2003 F
		R50 X Bullet	50 2006 2010 R
		R50 X Bullet	50 2010 R
		TapoRR 50 (2T)	50 2010 2012 F
		TapoRS 50 (2T)	50 2010 2012 F
		Trigger50	50 2002 2003 F
		XRace 50 (2T)	50 2011 2012 F
		204Classic (125cc)	125 2003 2004 F
		303Revolution (125cc)	125 2002 2003 F
		F409Cruise 125	125 2002 2005 F
		R125 X Bullet	125 2008 2009 R
		R125 X Bullet	125 2010 R
TGB ATV	A	Hornet 50 Quad	50 2004 2005 R
	A	Hornet 90 Quad	90 2004 2005 R
	A	250Blade/Congo ATV	250 2006 2007 R
	A	Blade325 LE Quad (4x2)	325 2008 2010 F
	A	Blade325 Quad (4x2)	325 2007 2011 F
	A	Blade325 SL Quad (4x2)	325 2011 2012 F
	A	Target325 (4X2)	325 2009 2012 F
	A	Target400 (4X2)	400 2009 2010 F
	A	Target425 (4X4)	425 2009 2011 F
	A	Blade460 R Target	460 2012 F
	A	Blade460 R Target	460 2012 F
	A	Target500 (4X2)	500 2009 2010 F
	A	Target525 (4X4)	525 2009 2011 F
TM	B	80 Minicross/Junior	80 1996 2000 F
	B	85 Minicross/Junior	85 1996 2000 F
UM ATV	A	Moontrax 50 R	50 2003 2006 R
	A	Earthlander 90 R	90 2005 2006 R
	A	Moontrax 90 R	90 2003 2006 R
	A	Earthlander 200	200 2005 2006 R
YAMAHA ATV	A	YFM 90 R Raptor (No Rear Parking Brake)	90 2009 2009 R
FDB314	ALFER	B AR 250	250 1992 R
		B AR 250	250 1993 R
		B VR 250	250 1994 R
APRILIA	B	RX 125 (Brembo Front & Gremica Rear caliper)	125 2008 2012 R
	B	TUAREG 350 WIND	350 1989 R
	B	TUAREG 350 WIND	350 1990 R
	B	TUAREG 600 WIND	600 1989 F/R
BUELL	B	M2 Cyclone, S1 Lightning, S2-S3 Thunderbolt	1994 1997 R
GASGAS	B	ENDURCROSS 80	80 1994 R
	B	ENDURCROSS 125	125 1994 R
	B	CROSS 250	250 1995 R
HUSABERG	B	501 ENDURO	50 1992 1993 R
	B	MC 350	350 1991 1993 R
	B	500 all models	500 1991 1992 R
	B	500 all models	500 1993 1995 R
	B	600 ENDURO	600 1992 1993 R
	B	EF 600 E (Quad)	600 1998 R
HUSQVARNA	B	CR 125 CROSS	125 1991 1995 R
	B	WR 125	125 1991 1997 R
	B	WR 240	240 1991 R
	B	CR 250 CROSS	250 1991 1995 R
	B	WR 250	250 1990 1991 R
	B	WR 260	260 1991 R
	B	TE 350	350 1990 1995 R
	B	TE 510	510 1990 R
KAWASAKI	B	KSR 50 I/II	50 1990 1991 R
	B	KX 80 H - K2	80 1987 1987 F
	B	KX 80 S1 - V1	80 1992 R
	B	KH 100 G4	100 1983 F
	B	AR 125 A1 - LC	125 1982 1994 F
	B	KH 125 EX	125 1982 1983 F
	B	KH 125 K2-4 - L1	125 1982 1983 F
	B	KMX 125	125 1986 2001 R
	B	KX 125	125 1986 F/R
	B	KX 125 B2 - C1	125 1982 1985 F
	B	KX 125 E2 - D1 - E2	125 1987 1988 R
	B	KDX 200 C1	200 1986 1988 F
	B	KDX 200 E1	200 1989 F
	B	KMX 200	200 1988 1992 R
	B	Z 200 A6	200 1983 F
	B	BJ 250 B1-B7A Estrella	250 1992 1999 F/R



CC FROM TO FRONT / REAR

CC	FROM	TO	FRONT / REAR
B	BJ 250 C1-C7 Estrella-RS	250 1999 2002 F/R	
B	EX 250 H1 - H2	250 1990 R	
B	GPZ 250	250 1985 F	
B	KDX 250 BALIUS	250 1991 1993 R	
B	KL 250 SUPER SHERPA	250 2000 R	
B	KLE 250 ANHELO	250 1993 1999 R	
B	KLR 250 all models	250 1984 2000 F	
B	KLX 250 H1 SUPER SHERPA	250 1998 2005 R	
B	KMX 250	250 1989 F/R	
B	KX 250	250 1986 F/R	
B	KX 250 C1 - C2	250 1983 1985 F	
B	KX 250 E1 - F1	250 1987 1988 R	
B	ZXR 250	250 1989 R	
B	ZZR 250 (EX 250 H)	250 1990 1993 R	
B	GPZ 305 A1	305 1983 1996 F	
B	GPZ 305 B2 - B3	305 1983 1996 F	
B	GPZ 305 BELT DRIVE	305 1983 1996 F	
B	EX 4 400	400 1995 R	
B	GPX 400	400 1985 F	
B	GPZ 400	400 1985 1987 F	
B	KLE 400	400 1991 R	
B	LX 400 ELIMINATOR - SE	400 1990 F	
B	XANTUS 400	400 1992 R	
B	Z 400 F2	400 1985 1987 F	
B	ZR 400 A1 - F	400 1983 F	
B	ZX 400 C2	400 1985 F	
B	GPZ 500 S	500 1988 F	
B	GPZ 500 S	500 1989 1992 F	
B	GPZ 500 S	500 1994 1997 R	
B	KLE 500	500 1991 R	
B	KX 500	500 1986 F/R	
B	KX 500 A1 - A2	500 1983 1985 F	
B	KX 500 C1	500 1987 1988 R	
B	Z 500 F	500 1983 F	
B	ZR 500 A1	500 1983 F	
B	Z 550 F	550 1983 1984 F	
B	Z 550 G1 SHAFT	550 1983 F	
B	Z 550 GT - SPORT	550 1983 F	
B	ZR 550 A1	550 1983 1984 F	
B	KLR 570	570 1988 F	
B	KLE 600	600 1992 R	
B	KLR 600	600 1984 1988 F	
B	KLR 600 ELECTRIC STARTER	600 1985 F	
B	KLR 600 S	600 1992 F	
B	KL 650 TENGAI	650 1989 1992 R	
B	KLR 650	650 1987 1994 R	
B	KLR 650	650 1995 R	
KAWASAKI 3 WHEELERS	A	KXT 250 A2 / B1 TECATE	250 1985 1986 F/R
	A	KXT 250 B2 TECATE	250 1987 2000 F
KAWASAKI ATV	A	KLF 300 BAYOU B Series	300 1988 2004 F
KTM	B	125	125 1989 1990 F/R
	B	250	250 1989 1990 F/R
	B	350	350 1989 1990 F/R
	B	GS 350 4 STROKE	350 1993 R
	B	THE DUKE 400	400 1994 1998 R
	B	500	500 1989 1990 F/R
	B	MX 600	600 1992 R
KYMCO		VISA R	50 2011 2012 F
		VISA R 110	110 2011 2011 F
		AGILITY 125 R16 +	125 2015 R
		AGILITY CITY 125 R16	125 2008 R
QUADZILLA	A	300 E Stinger	300 2009 2011 F/R
	A	300 e XLC	300 2007 2008 F/R
	A	300 e XLC Stinger	300 2007 2008 F/R
	A	Jow 300	300 2007 2008 F/R
	A	RL 300 Buggie	300 2009 2011 F/R
	A	QZ 450 Sport	450 2008 2009 F/R
	A	XLC 500	500 2010 2011 F/R
	A	RS 7 4WD	700 2010 2011 R
	A	X7 R	700 2010 2011 R
	A	RS 8	800 2010 2011 R
SUZUKI	B	OR 50	50 1980 F
	B	ZR 50 SKX - SLKX	50 1981 1987 F
	B	3 E 80	80 F
	B	GT 80 L	80 1981 F
	B	RG 80 GAMMA	80 2000 F
	B	GP 100 C - DEN - N - X	100 1978 1987 F
	B	GN 125 R	125 1994 2001 F



CC FROM TO FRONT / REAR

Code	Brand	Model	CC	FROM	TO	FRONT / REAR		
...FDB314	TGB ATV	B GS 125 ESR / ESX	125	1995	2000	F		
		B GS 125 ESZ	125	1982		F		
		B RG 125 E	125	1982	1984	F		
		B X4 125	125			F		
		B GSX 400 F (FOUR) FZ	400	1981	1983	F		
		B GSX 400 FD	400	1981	1983	F		
		B GS 450 S	450	1987		F		
		A 250Blade/Congo ATV	250	2006	2007	F		
		A Blade325 LE Quad (4x2)	325	2008	2010	R		
		A Blade325 Quad (4x2)	325	2007	2011	R		
		A Blade325 SL Quad (4x2)	325	2011	2012	R		
		A Target325 (4X2)	325	2009	2012	R		
		A Target400 (4X2)	400	2009	2010	R		
		A Target425 (4X4)	425	2009	2011	R		
		A Blade450 SE (4x4)	450	2010	2011	R		
		A Blade460 R Target	460	2012		R		
		A Blade460 R Target	460	2012		R		
		A Blade460 SL IRS 4x4	460	2012		R		
		A Target500 (4X2)	500	2009	2010	R		
		A Blade510 LE	510	2011	2012	R		
		A 525SE 4X4	525	2009		R		
		A Blade525 SL 4X4	525	2009	2010	R		
		A Target525 (4X4)	525	2009	2011	R		
		A 550IRS Blade LT	550	2010	2012	R		
		A Blade550 IRS Target	550	2011	2012	R		
		A Blade550 LT 4X4	550	2010	2011	R		
		A Blade550 SE 4X4	550	2009	2011	R		
		A Blade550 SL 4X4	550	2009	2010	R		
		TM	B all models 80	80	1990	1993	R	
			B GS / MC 125	125	1990	1993	R	
		YAMAHA	B TDR 125 (Italia)	125	1990	1991	R	
		YAMAHA ATV	A YFM 90 R Raptor (with Rear Parking Brake)	90	2010	2013	R	
		FDB333	HARLEY DAVIDSON	B XLX	883	1983		F
				B XLCH 1000 Sportster	1000	1978	1979	F
				B XLCR 1000 Cafe Racer	1000	1977	1978	F
				B XLH 1000 Sportster	1000	1978	1981	F
				B XLH 1000 Sportster	1000	1982	1983	F
				B XLS 1000 Roadster	1000	1979	1981	F
B XLS 1000 Roadster	1000			1982	1983	F		
B FX Super Glide	1340			1978	1981	F		
B FXB Sturgis Belt	1340			1977	1981	F		
B FXB Sturgis Belt	1340			1982		F		
B FXE Super Glide	1340			1978	1981	F		
B FXE Super Glide	1340			1982	1983	F		
B FXEF Super Glide	1340			1978	1981	F		
B FXR Super Glide II	1340			1982	1983	F		
B FXRS Super Glide II	1340			1982	1983	F		
B FXRT Sport Glide	1340			1983		F		
B FXS Sturgis	1340			1977	1981	F		
B FXS Sturgis	1340			1982		F		
B FXSB Low Rider	1340			1983		F		
B FXWG Wide Glide	1340			1980	1981	F		
B FXWG Wide Glide	1340			1982	1983	F		
FDB334	HARLEY DAVIDSON			B XLCH 1000 Sportster	1000	1978	1979	R
				B XLCR 1000 Cafe Racer	1000	1977	1978	R
				B XLH 1000 Sportster	1000	1978	1981	R
		B XLS 1000 Roadster	1000	1979	1981	R		
		B FLHT Electra Glide (all models)	1340	1983		F		
		B FLT Tour Glide (all models)	1340	1980	1983	F		
		FDB335	HARLEY DAVIDSON	B XL 883 EVO	883	1986	1987	R
				B XLX	883	1983		R
B XLX	883			1984	1985	R		
B XLH 1000 Sportster	1000			1982	1983	R		
B XLH 1000 Sportster	1000			1984	1985	R		
B XLS 1000 Roadster	1000			1982	1983	R		
B XLS 1000 Roadster	1000			1984	1985	R		
B XR 1000	1000			1983	1985	R		
B XL 1100 EVO	1100			1986		R		
B FLST Heritage Softail	1340					R		
B FXB Sturgis Belt	1340			1982		R		
B FXE Super Glide	1340			1982	1983	R		
B FXE Super Glide	1340			1984	1985	R		
B FXEF Super Glide	1340			1984	1985	R		
B FXLR Low Rider Custom	1340				2000	R		
B FXR Super Glide	1340			1986		R		
B FXR Super Glide II	1340			1982	1983	R		
B FXRD Sport Glide Grand Touring	1340			1986		R		
B FXRS Low Glide	1340			1984		R		
FDB337	NORTON YAMAHA			B COMMANDER	580	1990		F/R
				B 125 BIKAN	125	1991		R
				B TZR 125	125	1990	1992	F
				B YD 250 S	250	1991		F
				B RD 350 YPVS	350	1983	1984	R
		B FZ 400	400	1986		F		
		B FZR 400 R	400	1987	1990	R		
		B SRX 400	400	1985	1986	F		
		B SRX 400	400	1990	1996	R		
		B XJR 400 R	400	1997		R		
		B RD 500 LC	500	1984	1986	F		
		B RD 500 YPVS LC	500	1984	1987	F		
		B FZ 600	600	1987	1988	F		
		B FZR 600	600	1989		F/R		
		B FZR 600 R	600	1990		R		
		B FZR 600 R	600	1991	1995	R		
		B XJ 600 RADIAN	600	1984	1991	F/R		
		B YZF 600 R THUNDERCAT	600	1996	2003	R		
		B FZ 750	750	1985	1986	F/R		
		B FZ 750 GENESIS	750	1987	1988	F/R		
		B FZR 750 (O W01)	750	1989	1991	R		
		B FZR 750 GENESIS	750	1987		R		
		B FZX 750	750	1987		F/R		
		B XJ 750 F	750	1984		F/R		
B XV 750	750	1989	1993	F				
B XV 750 VIRAGO	750	1992	1993	F				
B YZF 750 RR-SP	750	1993	1998	R				
B TDM 850	850	1991	1995	R				
B TDM 850	850	1996	2001	R				
B TRX 850	850	1995	1999	R				
B XJ 900	900	1983	1984	F/R				
B XJ 900 F	900	1985	1994	F/R				
B XJ 900 F DIVERSION	900	1995		R				
B XJ 900 SECA DIVERSION	900	1995	2003	R				
B FZR 1000 EX-UP	1000	1991	1993	R				
B FZR 1000 GENESIS - EX-UP	1000	1986	1988	R				
B FZR 1000 GENESIS - EX-UP	1000	1994	1995	R				
B FZR 1000 R	1000	1994	1995	R				
B FZR 1000 R - EX-UP	1000	1989	1990	R				
B GTS 1000	1000	1993	1999	R				
B XV 1000 VIRAGO	1000	1986	1988	F				
B YZF 1000 THUNDERACE	1000	1996	2001	R				
B BT 1100 BULLDOG	1100	2002		R				
B FJ 1100 J	1100	1984	1985	F/R				
B XV 1100 VIRAGO	1100	1989	1993	F				
B XVS 1100 DRAG STAR / CLASSIC	1100	1999		R				
B FJ 1200	1200	1986	1987	F/R				
B FJ 1200	1200	1988	1989	R				
B FJ 1200	1200	1999		R				
B FJ 1200 ABS	1200	1991	1995	R				
B FJ 1200 W - WC	1200	1989	1991	R				
B XJR 1200	1200	1994		R				
B XJR 1200	1200	1995	1998	R				
B XVZ 1200 12 T TD	1200	1985	1987	F/R				
B YMX 1200 12N V - MAX	1200	1993	2003	R				
B YMX 1200 12N V - MAX	1200	2000		F/R				
B XJR 1300	1300	2015		R				
B XJR 1300 SP	1300	1999	2001	R				
B XJR1300 Racer	1300	2015		R				
FDB338	KAWASAKI	B ZX 400 L	400	1992		R		
		B ZXR 400	400	1991		R		
		B ZXR 400 (ZX400-L)	400	1992		R		
		B ZX-7 750 R NINJA	750	1989	1995	R		
		B ZX-7 750 R NINJA	750	1996	2003	R		
		B ZX-7 750 R NINJA (Racing Applications)	750	1996	2003	R		
		B ZXR 750	750	1989	1990	R		
		B ZXR 750 R	750	1993	1995	R		
		B ZR 1100 C1	1100	1997	2000	R		



CC FROM TO FRONT / REAR

Code	Brand	Model	CC	FROM	TO	FRONT / REAR		
...	TGB ATV	B GS 125 ESR / ESX	125	1995	2000	F		
		B GS 125 ESZ	125	1982		F		
		B RG 125 E	125	1982	1984	F		
		B X4 125	125			F		
		B GSX 400 F (FOUR) FZ	400	1981	1983	F		
		B GSX 400 FD	400	1981	1983	F		
		B GS 450 S	450	1987		F		
		A 250Blade/Congo ATV	250	2006	2007	F		
		A Blade325 LE Quad (4x2)	325	2008	2010	R		
		A Blade325 Quad (4x2)	325	2007	2011	R		
		A Blade325 SL Quad (4x2)	325	2011	2012	R		
		A Target325 (4X2)	325	2009	2012	R		
		A Target400 (4X2)	400	2009	2010	R		
		A Target425 (4X4)	425	2009	2011	R		
		A Blade450 SE (4x4)	450	2010	2011	R		
		A Blade460 R Target	460	2012		R		
FDB333	HARLEY DAVIDSON	B XLX	883	1983		F		
		B XLCH 1000 Sportster	1000	1978	1979	F		
		B XLCR 1000 Cafe Racer	1000	1977	1978	F		
		B XLH 1000 Sportster	1000	1978	1981	F		
		B XLH 1000 Sportster	1000	1982	1983	F		
		B XLS 1000 Roadster	1000	1979	1981	F		
		B XLS 1000 Roadster	1000	1982	1983	F		
		B FX Super Glide	1340	1978	1981	F		
		B FXB Sturgis Belt	1340	1977	1981	F		
		B FXB Sturgis Belt	1340	1982		F		
		B FXE Super Glide	1340	1978	1981	F		
		B FXE Super Glide	1340	1982	1983	F		
		B FXEF Super Glide	1340	1978	1981	F		
		B FXR Super Glide II	1340	1982	1983	F		
		B FXRS Super Glide II	1340	1982	1983	F		
		B FXRT Sport Glide	1340	1983		F		
		B FXS Sturgis	1340	1977	1981	F		
		B FXS Sturgis	1340	1982		F		
		B FXSB Low Rider	1340	1983		F		
		B FXWG Wide Glide	1340	1980	1981	F		
		B FXWG Wide Glide	1340	1982	1983	F		
		FDB334	HARLEY DAVIDSON	B XLCH 1000 Sportster	1000	1978	1979	R
				B XLCR 1000 Cafe Racer	1000	1977	1978	R
				B XLH 1000 Sportster	1000	1978	1981	R
B XLS 1000 Roadster	1000			1979	1981	R		
B FLHT Electra Glide (all models)	1340			1983		F		
B FLT Tour Glide (all models)	1340			1980	1983	F		
FDB335	HARLEY DAVIDSON			B XL 883 EVO	883	1986	1987	R
				B XLX	883	1983		R
		B XLX	883	1984	1985	R		
		B XLH 1000 Sportster	1000	1982	1983	R		
		B XLH 1000 Sportster	1000	1984	1985	R		
		B XLS 1000 Roadster	1000	1982	1983	R		
		B XLS 1000 Roadster	1000	1984	1985	R		
		B XR 1000	1000	1983	1985	R		
		B XL 1100 EVO	1100	1986		R		
		B FLST Heritage Softail	1340			R		
		B FXB Sturgis Belt	1340	1982		R		
		B FXE Super Glide	1340	1982	1983	R		
		B FXE Super Glide	1340	1984	1985	R		
		B FXEF Super Glide	1340	1984	1985	R		
		B FXLR Low Rider Custom	1340		2000	R		
		B FXR Super Glide	1340	1986		R		
		B FXR Super Glide II	1340	1982	1983	R		
		B FXRD Sport Glide Grand Touring	1340	1986		R		
		B FXRS Low Glide	1340	1984		R		
		FDB337	NORTON YAMAHA	B COMMANDER	580	1990		F/R
				B 125 BIKAN	125	1991		R
				B TZR 125	125	1990	1992	F
				B YD 250 S	250	1991		F
				B RD 350 YPVS	350	1983	1984	R
B FZ 400	400			1986		F		
B FZR 400 R	400			1987	1990	R		
B SRX 400	400			1985	1986	F		
B SRX 400	400			1990	1996	R		
B XJR 400 R	400			1997		R		
B RD 500 LC	500			1984	1986	F		
B RD 500 YPVS LC	500			1984	1987	F		
B FZ 600	600			1987	1988	F		
B FZR 600	600			1989		F/R		
B FZR 600 R	600			1990		R		
B FZR 600 R	600			1991	1995	R		
B XJ 600 RADIAN	600			1984	1991	F/R		
B YZF 600 R THUNDERCAT	600			1996	2003	R		
B FZ 750	750			1985	1986	F/R		
B FZ 750 GENESIS	750			1987	1988	F/R		
B FZR 750 (O W01)	750			1989	1991	R		
B FZR 750 GENESIS	750			1987		R		
B FZX 750	750			1987		F/R		
B XJ 750 F	750			1984		F/R		
B XV 750	750	1989	1993	F				
B XV 750 VIRAGO	750	1992	1993	F				
B YZF 750 RR-SP	750	1993	1998	R				
B TDM 850	850	1991	1995	R				
B TDM 850	850	1996	2001	R				
B TRX 850	850	1995	1999	R				
B XJ 900	900	1983	1984	F/R				
B XJ 900 F	900	1985	1994	F/R				
B XJ 900 F DIVERSION	900	1995		R				
B XJ 900 SECA DIVERSION	900	1995	2003	R				
B FZR 1000 EX-UP	1000	1991	1993	R				
B FZR 1000 GENESIS - EX-UP	1000	1986	1988	R				
B FZR 1000 GENESIS - EX-UP	1000	1994	1995	R				
B FZR 1000 R	1000	199						



CC FROM TO FRONT / REAR

...FDB338

SUZUKI

CC	FROM	TO	FRONT / REAR
B	ZRX 1100	1100 1996 2000	R
B	ZZR 1100 GT (ZX 1100 D)	1100 1993 2001	R
B	ZRX 1200 R - S	1200 2000	R
B	ZRX 1200 R - S	1200 2001	R
B	ZX 12 1200 R	1200 2000 2003	R
B	ZX 12 1200 R (Racing Applications)	1200 2000 2003	R
B	ZX-12R 1200	1200 2004	R
B	ZX-12R 1200 - Racing Applications	1200 2004	R
B	ZZR 1200	1200 2002	R
B	RG 50 GAG - GAMMA	50 1987	F
B	250 BANDIT	250 1990	R
B	ACROSS 250	250 1990	R
B	COBRA 250	250 1989	R
B	COBRA 250	250 1990	R
B	GF 250 S	250 1986	R
B	GOOSE 250	250 1992	R
B	GS 250 FW	250 1984	F/R
B	GSF 250 BANDIT	250 1990	R
B	GSX 250 S KATANA	250 1991	R
B	GSX-R 250	250 1987 1988	R
B	GSX-R 250 R - R/SP	250 1989	R
B	RG 250 W GAMMA	250 1984 1987	R
B	RG 250 W GAMMA	250 2000	F/R
B	RGV 250 R	250 1988	R
B	RGV 250 R	250 1989	R
B	WOLF 250	250 1990	R
B	GOOSE 350	350 1992	R
B	GSF 400 BANDIT	400 1991 1992	R
B	GSF 400 BANDIT	400 1993 1994	R
B	GSF 400 BANDIT	400 1995 1997	R
B	GSF 400 S KATANA	400 1989 1990	R
B	GSX 400 FWS - D - E	400 1983	F/R
B	GSX 400 IMPULSE	400 1994 1996	R
B	GSX 400 KATANA	400 1989 1992	R
B	GSX 400 R /II	400 1985 1986	R
B	GSX 400 S	400 1983	F/R
B	GSX 400 X IMPULSE 400	400 1986 1988	R
B	GSX-R 400	400 1990	R
B	GSX-R 400 (III-IV)	400 2000	R
B	GSX-R 400 (V)	400 1989 1990	R
B	GSX-R 400 (JAPAN)	400 1985	F
B	GSX-R 400 R	400 1990 1995	R
B	RF 400 RVC	400 1993	R
B	RG 400 GAMMA	400 1985	R
B	GS 450 S	450 1987	R
B	GS 500 E - K - FK	500 1996	R
B	GS 500 E - K - L - M	500 1989 1993	R
B	RG 500 RF GAMMA	500 1985 1987	R
B	GSX 550 EF - EFE	550 1983 1987	F/R
B	GSX 550 ES - ESE	550 1983 1987	F/R
B	GSX 550 ESD - ES4	550 1983 1987	F/R
B	GSX 550 ET - EV	550 1987	F/R
B	GSF 600 BANDIT	600 1995 1999	R
B	GSF 600 BANDIT (left)	600 2000	R
B	GSF 600 BANDIT - KATANA (left)	600 1998	R
B	GSX 600 F KATANA	600 1988 1993	R
B	GSX-R 600 F	600 1994 1995	R
B	GSX-R 600 V	600 1996 2003	R
B	RF 600 RR	600 1993 1997	R
B	SV 650 (Naked - Non ABS) - left	650 1999 2002	R
B	SV 650 S (Top Fairing - Non ABS) - left	650 1999 2002	R
B	GSX 750 EF	750 1987	R
B	GSX 750 FK/FL/FM/FN/FP/FR/FS/FT/FV	750 1989 1997	R
B	GSX 750 FW/FX/FY/FK1/FK2 (left)	750 1998 2006	R
B	GSX 750 LIMITED EDITION	750 1986	R
B	GSX 750 W/X/Y/K1 (left)	750 1998	R
B	GSX-R 750	750 1988 1993	R
B	GSX-R 750 LTD Special Edition	750 1987 1988	R
B	GSX-R 750 W	750 1994 1999	R
B	GSX-R 750 W (Racing Applications)	750 1994 1999	R
B	GSX-R 750 Y	750 2000 2003	R
B	GT 750 RF	750 1985 1986	R
B	RF 900 RT - RV	900 1996 1999	R
B	TL 1000 R	1000 1998 2002	R
B	TL 1000 SV TWIN	1000 1997 2001	R
B	GSX 1100 GM	1100 1991 1992	R
B	GSX-R 1100	1100 1985 1988	R
B	GSX-R 1100 K - L - M - N	1100 1989 1992	R



CC FROM TO FRONT / REAR

FDB339

HYOSUNG

KAWASAKI

CC	FROM	TO	FRONT / REAR
B	GSX-R 1100 W	1100 1993 1996	R
B	GSX-R 1100 W (Racing Applications)	1100 1991 1996	R
B	GSF 1200 K1/SK1 BANDIT	1200 2001	R
B	GSF 1200 T-ST-V-SV- BANDIT	1200 1995 2000	R
B	GSX 1200	1200 1999 2000	R
B	GSX-R 1300 HAYABUSA (Racing Applications)	1300 1999 2007	R
B	GA 300	300 1998	F
B	EL 250 all models	250 1991 1994	F
B	EX 250 NINJA	250 1986 1987	F/R
B	GPZ 250	250 1985	R
B	LX 250 ELIMINATOR - SE	250 1990	F
B	Z 250	250 1983	F
B	Z 250 GP BELT DRIVE	250 1983	F
B	GPX 400	400 1985	R
B	GPZ 400	400 1985 1987	R
B	KLE 400 VULCAN	400 1990	F
B	VN 400 VULCAN	400 1995	F
B	Z 400 F2	400 1985 1987	R
B	ZL 400	400 1986 1987	F
B	ZL 400 ELIMINATOR	400 1988 1992	F/R
B	ZL 400 ELIMINATOR	400 1993	R
B	ZX 400 C2	400 1985	R
B	LTD450 (EN450 A1-A5)	454 1986 1989	F
B	EN 500 all models	500 1990 1993	F
B	GPZ 500 S	500 1987	F
B	GPZ 500 S	500 1989 1992	R
B	GPZ 600 R	600 1985 1989	F/R
B	ZL 600 A1/A2	600 1985 1994	F
B	750 BELT DRIVE	750 1985 1987	F/R
B	750 TURBO	750 1985 1987	F/R
B	750 VULCAN	750 1989 1993	F
B	GPZ 750	750 1985 1986	F/R
B	GPZ 750 R1	750 1985 1987	F/R
B	VN 750	750 1988 1989	F/R
B	VN 750 TWIN	750 1986 1987	F
B	VN 750 VULCAN	750 1990 1994	F
B	Z 750 GP	750 1983	F/R
B	ZX 750 A1	750 1983 1985	F/R
B	ZX 750 E1 TURBO	750 1983 1985	F/R
B	VN 800	800 1995 1998	F
B	VN 850	850 1995 1999	F
B	GPZ 900 R (ZX900A or NINJA 900)	900 1984 1989	F/R
B	GPZ 1000 RX - RY	1000 1986	F/R
B	GTR 1000	1000 1986 1993	F/R
B	VN 1000 VULCAN	1000 1987	F/R
B	Z 1000 GTR	1000 1994 2003	R
B	Z 1000 GTR (ZG 1000)	1000 1986 1993	F/R
B	ZL 1000 all models	1000 1987	F/R
B	GPZ 1100 (ZX 1100 A1)	1100 1983 1985	F/R
B	VN 1100	1100 1987	F/R
B	Z 1100 R1	1100 1984	F/R
B	ZX 1100 A1	1100 1983 1984	F/R
B	KZ 1200	1200 1987	F/R
B	ZG 1200	1200 1986 1990	F/R
B	ZG 1200 VOYAGER	1200 1986	F/R
B	VN 1500 all models	1500 1987 1993	F/R
B	VN 1500 CLASSIC TOURER (left)	1500 1999	R
B	VN 1500 D1/D2 CLASSIC	1500 1996 1998	R
B	850 GT - GTS	850 1977 1980	F
B	BONNEVILLE T 400 V E	400 1982 1984	R
B	BONNEVILLE T 400 V E	400 2000	F/R
B	TRIDENT TI 500 V	500 1982 1984	R
B	TRIDENT TI 500 V	500 2000	F/R
B	BONNEVILLE 750 TWIN (Lockheed calipers)	750 1975 1981	F/R
B	BONNEVILLE 750 TWIN (Lockheed calipers)	750 1982 1984	R
B	TIGER 750 TR 7V	750 1976 1981	R
B	TIGER 750 TR 7V	750 2000	F
B	XL 883 EVO	883 1986 1987	F
B	XL 883 EVO	883 1987 1999	F
B	XLH Sportster 883 Hugger	883 1992 1993	F
B	XLX	883 1984 1985	F
B	XLH 1000 Sportster	1000 1984 1985	F
B	XLS 1000 Roadster	1000 1984 1985	F
B	XR 1000	1000 1983 1985	F
B	XL 1100 EVO	1100 1986	F
B	XL 1200 EVO	1200 1999	F
B	FLHR Road King (all models)	1340 1994 1999	F
B	FLHS Electra Glide Sport	1340 1993	F

FDB342

DUCATI

TRIUMPH

FDB352

HARLEY DAVIDSON



CC FROM TO FRONT / REAR

...FDB352

B	FLHT Electra Glide (all models)	1340	1984	1985	F	
B	FLHT Electra Glide (all models)	1340	1986	1999	F	
B	FLST Heritage Softail	1340			F	
B	FLST Heritage Softail	1340		1990	F	
B	FLSTC Heritage Softail Classic	1340		1999	F	
B	FLSTF Fat Boy	1340	1990	1999	F	
B	FLSTN Heritage Softail	1340	1993	1996	F	
B	FLSTS Heritage Springer Softail	1340	1997	1999	F	
B	FLT Tour Glide (all models)	1340	1984	1985	F	
B	FLT Tour Glide (all models)	1340	1986	1999	F	
B	FLTR Road Glide (all models)	1340	1988	1999	F	
B	FXD Dyna Super Glide	1340	1995	1999	F	
B	FXDB Dyna Street Bob	1340	1991	1992	F	
B	FXDC Dyna Super Glide Custom	1340	1991	1992	F	
B	FXDG Dyna Glide Sturgis	1340	1991		F	
B	FXDL Dyna Low Rider	1340	1993	1999	F	
B	FXDS-Conv. / Dyna Convertible	1340	1994	1999	F	
B	FXDWG Dyna Wide Glide	1340	1993	1999	F	
B	FXDX Dyna Super Glide Sport	1340	1995	1999	F	
B	FXE Super Glide	1340	1984	1985	F	
B	FXEF Super Glide	1340	1984	1985	F	
B	FXLR Low Rider Custom	1340		2000	F	
B	FXLR Low Rider Custom	1340		1994	F	
B	FXR Super Glide	1340		1994	F	
B	FXR Super Glide	1340	1986		F	
B	FXRD Sport Glide Grand Touring	1340	1986		F	
B	FXRS Low Glide	1340		1992	F	
B	FXRS Low Glide	1340	1984		F	
B	FXRT Sport Glide	1340		1992	F	
B	FXRT Sport Glide	1340	1984		F	
B	FXSB Low Rider	1340	1984	1985	F	
B	FXST Softail	1340		1990	F	
B	FXST Softail	1340	1984		F	
B	FXST Softail Standard	1340		1999	F	
B	FXSTB Night Train	1340		1999	F	
B	FXSTC Softail Custom	1340		1999	F	
B	FXSTC Softail Custom	1340	1986		F	
B	FXSTS Springer Softail	1340		1999	F	
B	FXSTSB Bad Boy	1340	1995	1997	F	
B	FXWG Wide Glide	1340	1984	1986	F	
B	FLSTS/I Heritage Springer	1450	2000	2003	F	
B	FLSTSC/FLSTSCI Springer Classic	1450	2005	2007	F	
B	FXSTS/FXSTSI Softail Springer	1450	2000	2005	F	
B	FXSTS/FXSTSI Softail Springer	1450	2006		F	
B	FLSTSB Softail Cross Bones	1584	2008	2011	F	
B	FLSTSC/FLSTSCI Springer Softail Classic	1584	2006	2007	F	
PGO	G-Max 125	125	2006	2008	F	
	G-Max 125 (Wave disc)	125	2009	2012	F	
	G-Max 250	250	2006	2008	F	
FDB381	ARCTIC CAT ATV	A	400	2004	2008	F
	HONDA 3 WHEELERS	A	200	1983	1987	F/R
		A	250	1983	1984	F/R
		A	350	1985	2000	R
		A	350	1986	2000	R
	HONDA ATV	A	250	2001	2010	F
		A	250	1987	1992	F/R
		A	300	1993	2008	F/R
		A	300	2009		F/R
		A	400	1999	2008	F/R
		A	400	1995	2003	F
		A	400	2009		F/R
		A	420	2009	2010	F
		A	420	2009	2010	F
		A	420	2007	2010	F
	HUSQVARNA	B	250	1992	1994	R
	KAWASAKI	B	80	1993	1996	R
		B	80	1997	2000	R
		B	80	1988	1991	R
		B	85	2001		R
		B	100	1988	1991	R
		B	100	1997	2000	R
	KAWASAKI 3 WHEELERS	A	250	1987	2000	R
	KAWASAKI ATV	A	250	1987	2005	R
		A	250	1987	1988	R
		A	300	1995	2003	R
		A	400	2004	2006	F
		A	400	1997	2002	F
		A	450	2008	2012	R



CC FROM TO FRONT / REAR

...FDB382

KYMC0 ATV	A	KSF 450 / KFX 450	450	2007		F	
SUZUKI	A	MXU 400 Parking brake	400	2008	2011	F	
SUZUKI ATV	B	RM 65	65	2003		R	
	A	LT 230 EH/EJ/EK/EL/EM/EN/EP	230	1986	1993	R	
	A	LT 230 S QUADSPORT	230	1989		R	
	A	LT 250 R	250	1985	1986	R	
	A	LT 250 S	250	1989	1990	R	
	A	LT-Z 250 K QuadSport	250	2004	2009	F	
	A	LT-Z 400 QUADSPORT	400	2003	2012	F	
YAMAHA ATV	A	YFS 200 BLASTER	200	2003	2006	R	
	A	YFM 250 BEAR TRACKER	250	2001	2004	F	
	A	YFM 250 R Raptor (right)	250	2008		R	
	A	YFM 250 RSPX Special Edition Custom (Left)	250	2008		R	
	A	YFM 350 2x4 Grizzly	350	2007	2010	R	
	A	YFM 350 FX WOLVERINE	350	1995	2007	R	
	A	YFM 350 RAPTOR	350	2004	2010	F/R	
	A	YFM 350 XW-XS WARRIOR	350	1989	2004	R	
	A	YFZ 350 A/B/D/E/F BANSHEE	350	1990	2006	R	
	A	YFZ 350 T/U/W BANSHEE	350	1987	1989	R	
	A	YFZ 450 (left)	450	2004	2005	R	
	A	YFM 600 GRIZZLY (All)	600	1998	2001	F	
	A	YFM 660 Ducks Unlimited Ed.-side by side	660	2006	2007	F	
	A	YFM 660 GRIZZLY	660	2002	2008	F	
	A	YFM 660 RAPTOR	660	2001	2005	F/R	
FDB382	HONDA	B	CR 50 R	50	1986	F	
		B	CR 80 RG	80	1986	F	
		B	LEAD 100	100		F	
		B	@ 125 NES	125	2001	F	
		B	CR 125 RE	125	1984	1985	F
		B	CR 125 RG	125	1986		F
		B	MTX 125 R2F	125	1985	1995	F
		B	MTX 125 RF	125	1985	1995	F
		B	MTX 125 RWF	125	1985	1995	F
		B	XL 125 R	125	1985	1986	F
		B	XL 125 R PARIS DAKAR	125	1984		F
		B	MTX 200 RW	200	1985	1986	F
		B	CH 250 ELITE	250	1985	1986	F
		B	CH 250 SPACY	250	1985	1986	F
		B	CN 250	250	1988	1989	F
		B	CN 250 ELITE	250	1985	1986	F
		B	CN 250 HELIX-FUSION	250	1992		F
		B	CR 250	250	1986		F
		B	CR 250 RE	250	1984	1985	F
		B	FTR 250	250	1986		F/R
		B	RX 250 RE	250	1984		F
		B	XLR 250 R	250	1985	1988	F
		B	XR 250 RE - RH	250	1984	1987	F
		B	XL 350 R	350	1985	1986	F
		B	XLX 350	350	1989		F
		B	XR 350 RE - RD	350	1984		F
		B	CR 500	500	1986		F
		B	CR 500 RE - G - H - J	500	1984	1985	F
		B	XR 500 R	500	1983	1984	F
		B	XR 500 R	500	1984		F
		B	XL 600 LD - PARIS DAKAR	600	1983	1984	F
		B	XL 600 R - RD - RE	600	1983	1984	F
		B	XR 600 R	600	1985	1987	F
	HONDA 3 WHEELERS	A	ATC 250 R	250	1985	1986	F/R
		A	ATC 350 X	350	1985	2000	F
	HONDA ATV	A	TRX 250 R Fourtrax	250	1986	1989	R
		A	Fox 50 / SILVER FOX 50	50	2000		F
	BETA	B	EURO / JONATHAN 350	350	2003	2006	R
	CFMOTO	B	CF 250 T - 5 Custom	250	2011	2012	R
	GILERA	B	APACHE 125	125	1991		R
		B	RC 125 TOP RALLY	125	1989		R
		B	RC 600	600	1989	1990	R
		B	RC 600	600	1991		R
		B	RC 600 NORD WEST	600	1991		R
		B	RC 600 R	600	1991		R
		B	RC 600 TOP RALLY	600	1990		R
	ITALJET	B	MILLENNIUM 100	100	2000	2001	F
		B	MILLENNIUM 125	125	2000	2001	F
		B	MILLENNIUM 150	150	2000	2001	F
	LINHAI	B	LH 50 Prince (Scooter)	50	2007		F
		B	Eggy 125 (Scooter)	125	2007		F
	MALAGUTI	B	CENTRO 125 ie/SL	125	2007	2011	R
		B	CENTRO 160 ie	160	2008		R
	MBK	B	XC 125 FLAME	125	1998		F

B = Bike
A = ATV
S = Snowmobile

B = Bike
A = ATV
S = Snowmobile



...FDB383

			CC	FROM	TO	FRONT / REAR	
		B	XC 125 FLAME R	125	1998	F	
SACHS		B	ROADSTER 650	650	2001	R	
YAMAHA		B	50 FLY ONE	50	1992	1995	F
		B	DT 50 R	50	1993	1997	F
		B	TDR 50	50	1990	F/R	
		B	TZM 50 R	50	1994	R	
		B	TZR 50	50	1990	1996	R
		B	DT 80 LC2	80	1993	F	
		B	TZR 80	80	1992	R	
		B	DT 125 LC / R	125	1988	R	
		B	DT 125 R	125	2000	2003	F/R
		B	DT 125 RE	125	1991	1993	F/R
		B	DT 125 RE	125	2004	F	
		B	TD 125 R	125	1993	F/R	
		B	TDR 125	125	1993	1993	R
		B	TZR 125	125	1993	R	
		B	XC 125 CYGNUS	125	1996	1997	F
		B	YBR 125 ED (3D91)	125	2005	2006	F
		B	YZ 125	125	1988	R	
		B	150 FLY ONE	150	1992	F	
		B	TW 200	200	2001	2003	F
		B	SEROW 225 XT	225	1985	1992	F
		B	SEROW 225 XT	225	1993	1995	F
		B	TT-R 225	225	1999	2002	F
		B	YZ 250	250	1988	R	
		B	TT 350	350	1991	1995	R
		B	XT 350	350	1992	1995	F
		B	400 ARTESIA	400	1991	R	
		B	WR 500 B	500	1991	1992	R
		B	XT 600 E - K	600	1991	1994	R
		B	XT 600 E - K	600	1995	2003	R
		B	XT 600 Z TENERE	600	1991	R	
		B	XTZ 660 TENERE	660	1991	1998	R
YAMAHA 3 WHEELERS	A	YZT 250 N/S	250	1985	1986	F/R	
YAMAHA ATV	A	YFM 350 XT/XU WARRIOR	350	1987	1988	F	
	A	YFZ 350 T/U/W BANSHEE	350	1987	1989	F	

FDB384

AJP	B	PR4 Enduro 125	125	2010	2011	R
	B	PR4 Enduro Pro 125	125	2010	2011	R
	B	PR4 Supermoto 125	125	2010	2011	R
	B	PR4 Supermoto Pro 125	125	2010	2011	R
	B	PR4 200 Supermoto	200	2010	2011	R
	B	PR4 200 Supermoto Pro	200	2010	2011	R
	B	PR4 Enduro 200	200	2010	2011	R
	B	PR4 Enduro Pro 200	200	2010	2011	R
APRILIA	B	RS4 50 (AJP caliper)	50	2011	R	
	B	RS4 125 4T (AJP caliper)	125	2011	R	
	B	RX 125 (AJP Calipers Front & Rear)	125	2008	2012	R
CFMOTO	B	CF 150 Leader	150	2010	2012	F
DERBI	B	GPR 50	50	2010	R	
	B	SENDA DRD Evo 50	50	2008	R	
	B	GPR 125	125	2010	R	
	B	MULHACEN CAFE' 125	125	2008	R	
	B	SENDA DRD 125	125	2010	R	
	B	TERRA 125	125	2007	2008	R
	B	TERRA 125 ADVENTURE	125	2010	2013	R
KEEWAY	B	Speed 125/150	125	2007	2012	F/R
PEUGEOT		NK7 (50cc) Naked	50	2009	2012	R
		XPS 50 SM	50	2009	F/R	
		XPS 50 Top Road (17? F/Wheel)	50	2010	2012	F
		XPS 50 Track (21? F/Wheel)	50	2011	2012	F
		XR7 (50cc) Full Fairing	50	2008	2012	R
RIEJU	B	MRT 50	50	2008	F/R	
	B	MRT 50 PRO / SUPERMOTARD / Competizione	50	2008	R	
	B	MRT 50 SUPERMOTARD	50	2010	F/R	
	B	RS2 50 MATRIX / PRO 50 (JUJUAN)	50	2007	2008	R
	B	TANGO 50 Motard	50	2009	F	
	B	MARATHON 125 / MOTARD	125	2008	F/R	
	B	MARATHON 125 PRO / SUPERMOTARD	125	2008	R	
	B	RS2 125 / PRO 125 (JUJUAN)	125	2007	2008	R
SHERCO	B	SU 50 (2T) Urban Base - Cast wheel model)	50	2010	F	
SINNIS	B	QM 125 GY-2D Trackstar 125 (4T)	125	2010	F	
	B	QM 125-2 C Vista 125	125	2008	F	
SUZUKI	B	GN 125	125	1983	1993	F
	B	GS 125 E - KATANA	125	1990	1994	F
	B	GS 125 ESD	125	1983	1994	F
TGB		302Sport (50cc)	50	2003	2009	F
		309RS 50	50	2002	2003	F
		R50 X Bullet	50	2006	2010	F



FRONT / REAR

			CC	FROM	TO	FRONT / REAR	
			R50 X Bullet	50	2010	F	
			303RHawk/Laser (125cc)	125	2004	2008	F
			303RHawk/Laser (125cc)	125	2009	F	
			304Sport (125cc)	125	2003	2009	F
			Delivery/Express(125cc)	125	2004	F	
			R125 X Bullet	125	2008	2009	F
			R125 X Bullet	125	2010	F	
			303RHawk/Laser (150cc)	150	2004	2008	F
			303RHawk/Laser (150cc)	150	2009	F	
			404Executive	404	2003	2004	F
FDB386	YAMAHA	B	FZR 50	50	1990	1991	R
		B	TZR 80	80	2000	F	
		B	125 BIKAN	125	1991	F	
		B	RD 125 LC R	125	1985	1987	F
		B	TZR 125	125	1987	1989	F
		B	TZR 125	125	1990	1992	R
		B	SDR 200	200	1987	1989	F/R
		B	FZR 250	250	1986	1988	R
		B	FZR 250 R	250	1989	R	
		B	FZX 250 ZEAL	250	1991	R	
		B	R1 250 Z	250	1997	R	
		B	RZR 250	250	1990	F/R	
		B	TDR 250	250	1988	1992	R
		B	TZ 250	250	1985	R	
		B	TZR 250	250	1985	1989	R
		B	TZR 250 R - SP	250	1989	1992	R
		B	RD 350 all models	350	1985	1995	F/R
		B	RD 350 all models	350	1985	1995	F/R
		B	FZ 400	400	1986	R	
		B	FZR 400 RR - SP	400	1991	1992	R
		B	SRX 400	400	1985	1986	R
		B	SRX 400	400	1987	1989	R
		B	XJ 400 DIVERSION - R	400	1991	1994	R
		B	RD 500 LC	500	1984	1986	R
		B	RD 500 YPVS LC	500	1984	1987	R
		B	600 DIVERSION	600	1992	1997	R
		B	FZ 600	600	1987	1988	R
		B	FZS 600 FAZER	600	1999	2003	R
		B	SRX 600	600	1985	1987	F/R
		B	SRX 600	600	1988	1990	R
		B	XJ 600 S	600	1992	1997	R
		B	XJ 600 S	600	1998	2003	R
FDB389	SUZUKI	B	GSX-R 250	250	1987	1988	F
		B	GSX 400 X IMPULSE 400	400	1986	1988	F
		B	GSX-R 400 (III-IV)	400	2000	F	
		B	RG 400 GAMMA	400	1985	F	
		B	RG 500 RF GAMMA	500	1985	1987	F
		B	VS 600 GL INTRUDER	600	1997	1999	F
		B	VS 700 GL INTRUDER	700	1985	F	
		B	GSX 750 EF	750	1987	F	
		B	GSX 750 LIMITED EDITION	750	1986	F	
		B	GSX-R 750 LTD Special Edition	750	1987	1988	F
		B	GT 750 RF	750	1985	1986	F
		B	VS 750 INTRUDER (All Models)	750	1985	1991	F
		B	VS 800 GL INTRUDER (VS52B)	800	1992	1999	F
		B	GSX 1100 E - EF - ES	1100	1984	1986	F/R
		B	GSX-R 1100	1100	1985	1988	F
		B	GV 1400	1400	1985	1986	F
		B	GV 1400 GD	1400	1985	1986	F/R
		B	VS 1400 GLP Intruder (VX51L/T)	1400	1996	2003	F/R
		B	VS 1400 Intruder (VX51L)	1400	1987	1995	F/R
		B	VL 1500	1500	1998	2001	F/R
FDB390	SUZUKI	B	GF 250 S	250	1986	F	
		B	RG 250 W GAMMA	250	1984	1987	F
		B	GSX 400 R I/II	400	1985	1986	F
		B	GSX-R 400 (JAPAN)	400	1985	R	
FDB404	MAICO	B	250 CROSS	250	1986	F/R	
		B	250 ENDURO	250	1986	F/R	
		B	GP 250	250	1987	F/R	
		B	GP 400	400	1987	F/R	
		B	500 CROSS	500	1986	F/R	
		B	500 ENDURO	500	1986	F/R	
		B	GP 500	500	1987	F/R	
		B	GPE 500	500	1987	F/R	
	SUZUKI	B	GZ 125 MARAUDER	125	1998	2011	F
		B	RM 125 F - G	125	1985	1986	F
		B	VL 125 INTRUDER	125	2000	F	
		B	AN 150	150	1997	2000	F

3014

B = Bike
A = ATV
S = SnowmobileFERODO
MOTORCYCLE PADS

Updated on 9th Oct 2015

B = Bike
A = ATV
S = Snowmobile



CC FROM TO FRONT / REAR

Code	Brand	Model	CC	FROM	TO	FRONT / REAR
...FDB404		B GZ 250 MARAUDER	250	2000		F
		B RM 250 F - IG - G	250	1985	1986	F
		B TU 250 X	250	1997	2000	F
		B VL 250 INTRUDER	250	2000	2001	F
		B VOLTY 250	250	1995	2000	F
		B RM 500 F	500	1985	1986	F
		B LS 650 SAVAGE	650	1987	1999	F
FDB411	YAMAHA	B YZ 125	125	1985	1987	F
		B YZ 125	125	1988		F
		B TT 250 S	250	1987	1992	F
		B YZ 250	250	1985	1987	F
		B YZ 250	250	1988		F
		B TT 350	350	1986	1990	F
		B TT 350	350	1991	1995	F
		B YZ 490	490	1985	1987	F
		B TT 600 N	600	1985	2000	F
		FDB436	BENELLI	B DEVIL 50	50	1992
B MASTER 4 50	50			1995		F
B SPRING 50	50			1992		R
B DEVIL 80	80			1995		R
B ALP 50	50			1991		F
B FOUR 50 AE	50			1987		F
B FOUR 50 S	50			1987		F
B FOUR TWIN 50	50			1988		F
B TR 32 125	125			1986		F
B TR 33 125	125			1987		F
B TR 34 125	125	1988		F		
B ALP 240	240	1991	1995	F		
B TR 33 240	240	1986	1988	F		
B TR 33 TREKKING 240	240	1988		F		
B TR 34 250	250	1986	1988	F		
B TR 34 250 (SPAIN)	250	1989		F/R		
B TR 34 250 PROFESSIONAL	250	1989		F		
B ALP 260	260	1990		F		
B TR 34 260	260	1987	1988	F		
B TR 35 260	260	1989	1991	F		
B Gringo 50	50	1985		F		
B TRIAL 50 .1 (FM.268)	50	1986		F		
B TRIAL 50 .1 H2O	50	1987		F		
B TRIAL 125 .1 Progress 1	125	1986	1986	F		
B TRIAL 125 .1 Progress 2	125	1986		F		
B TRIAL 125 .3 PROFESSIONAL (FM 361)	125	1987		F/R		
B TRIAL 200 Progress 1	200	1986		F		
B TRIAL 201 Progress2	201	1986		F		
B TRIAL 240 (FM 363)	240	1987		F/R		
B TRIAL 241 PROFESSIONAL	241	1986		F		
B TRIAL 301 Progress 1 (FM. 266)	301	1985		F		
B TRIAL 301 Progress 2	301	1986		F		
B TRIAL 303 (FM 364)	303	1987		F/R		
B TIGER 50 XLE	50	1986		R		
B HALLEY 325 PCX	325	1987		F/R		
B 503 50	50	1991		F/R		
B BULLIT 50	50	1990		F		
B CR1 50 CROSSER	50	1995		F		
B DUNE 50 ENDURO	50	1987		F/R		
B F 12 50 PHANTOM (liquid cooled)	50	1995	1997	F		
B F 15 50 FIREFOX	50	1996	1997	F		
B FIFTY 50 FULL (all models)	50	1983		F		
B FIFTY 50 TOP	50	1985		F		
B Mopeds 50 (all models)	50	2000		F		
B MR4 50 ENDURO	50	1987		F/R		
B RCX-W 50 ENDURO	50	1983		F		
B RGT 50 SPORT	50	1985		F		
B RGT 50 STRADA	50	1983		F		
B RST 50 SPORT tutti i tipi	50	1987		F/R		
B SAHIB 50 ENDURO	50	1983		F		
B MKS 50	50	1987		F		
B COTA 304	304	1987		F		
B N 50 AT BT	50	1991	2000	F		
B CR 80	80	1985		R		
B KS 80 TOURING K	80	1982		F		
B KS 80 TOURING L	80	1982		F		
FDB437	SUZUKI	B RG 80 GAMMA	80	1988	1993	F
		B RG 125 W GAMMA	125	1985	1991	F
FDB438	APRILIA	B TUAREG 50 HPC SYSTEM	50	1987		F
		B ETX 125	125	1986	1997	F
		B RED ROSE 125	125	1989	1989	F
		B RX 125	125	1986		F



CC FROM TO FRONT / REAR

Code	Brand	Model	CC	FROM	TO	FRONT / REAR
		B SCARABEO 125	125	1998	2006	F
		B SPORTCITY 125 ie	125	2004		F
		B TREND GO WEST 125	125	1987		F
		B TUAREG 125	125	1986		F
		B TUAREG 125	125	1987		F
		B TUAREG 125 RALLY	125	1986		F
		B TUAREG 125 RALLY(Mozzi Rimoldi)	125	1986		F
		B SCARABEO 150	150	1998		F
		B SCARABEO 200	200	2001	2007	F
		B SPORTCITY 200	200	2004		F
B LEONARDO 250	250	1999		F		
B SPORTCITY 250 ie	250	2007		F		
B TUAREG 250 RALLY	250	1986		F		
B TUAREG 250 RALLY (Mozzi Rimoldi)	250	1986		F		
B LEONARDO 300	300	2004		F		
B SPORTCITY 300 / Cube Black line	300	2008		F		
B ETX 350	350	1986		F		
B ETX 350 AE	350	1987		F		
B TUAREG 350	350	1987		F		
B TUAREG 350 WIND	350	1987	1988	F		
B SCARABEO 400 ie	400	2007		F		
B ATLANTIC (ARECIFE) 500 (left)	500	2001		F		
B SCARABEO 500	500	2008		F		
B SCARABEO 500 Class	500	2010		F		
B ETX 600	600	1986		F		
B BLUES 50	50	1989		F		
B MITO 50	50	1998		F		
B BLUES 125	125	1988	1992	F		
B BLUES 125	125	1993		F		
B ROADSTER 125	125	1994		F		
B ROADSTER 200	200	1996		F		
B ALA AZZURRA 650 GT	650	1987		F		
B RAIDER 250 (FM. 259)	250	1985		F		
B TIGER 125 XLE	125	1986	1986	F		
B EC ROOKIE 50	50	2001		F		
B CROSS 125	125	1994		R		
B TT 125 ENDURCROSS	125	1993		R		
B ARIZONA HAWK 125	125	1986		F		
B CMM APTS 125	125	1987		F		
B ER 125	125	1987		F		
B FAST BIKE 125	125	1987		F		
B KK 125 APTS	125	1987		F		
B KZ 125	125	1986		F		
B KZ 125 ENDURANCE	125	1988		F		
B R1 125 S	125	1988		F		
B RC 125 RALLY	125	1987		F		
B RRT 125 NEBRASKA	125	1987		F		
B RRT 125 NEBRASKA (tubeless tires)	125	1987	2000	F		
B RRT 125 NEBRASKA (tubeless tires)	125	1987	2000	F		
B RTX 125	125			F		
B RV 125 ES	125	1987		F		
B XR1 125	125	1988		F		
B XR2 125	125	1989		F		
B ARIZONA HAWK 200	200	1986		F		
B ER 200	200	1987		F		
B FAST BIKE 200	200	1987		F		
B RTX 200	200	1986		F		
B RV 200 ES	200	1987		F		
B RC 250 RALLY	250	1987		F		
B DAKOTA 350	350	1986		F		
B ER 350	350	1987		F		
B XRT 350	350	1990		F		
B DAKOTA 500	500	1987		F		
B ER 500	500	1987		F		
B XRT 600	600	1988		F		
B CLR 125 CITY FLY	125	2000		F		
B CRM 125 (Italy)	125	1990	1999	F		
B MTX 125 R	125	1987	1988	F		
B MTX 125 RII	125	1989		F		
B NS 125 F all models	125	1985	1990	F		
B NSR 125	125	1988	1989	F		
B NSR 125 R - F	125	1989	1992	F		
B NSR 125 RAIDEN	125	1990	1992	F		
B NX 125 (ITALY)	125	1990		F		
B XL 125 L PARIS DAKAR	125	1989		F		
B XL 125 PARIS DAKAR	125	1989		F		
B XL 125 R	125	1987	1988	F		
B MTX 200 R	200	1987		F		

B = Bike
A = ATV
S = Snowmobile

B = Bike
A = ATV
S = Snowmobile



CC FROM TO FRONT / REAR

Code	Brand	Model	CC	FROM	TO	FRONT / REAR		
...FDB438	HONDA-HM ITALIA	B XL 200 R	200	1985		F		
		B DT 125	125	1987		F		
		B MTX 125 R	125	1986		F		
		B MTX 125 RALLY SPORT	125	1988		F		
		B NS 125 F	125	1985		F		
		B NS 125 R SUPER SPORT	125	1987		F		
		B NSR 125 R	125	1989		F		
		B XL 125 L PARIS DAKAR	125	1985		F		
		B XL 125 R2	125	1987		F		
		B XL 200 L	200	1985		F		
	MALAGUTI MOTO MORINI	B XL 200 L PARIS DAKAR	200	1987		F		
		B XL 200 R2	200	1987		F		
		B SPIDER MAX RS 500/ GT	500	2004		F		
		B CAMEL 501	50	1987		F		
		B EXCALIBUR 501	50	1986	1986	F		
		B EXCALIBUR 501	50	1987	1988	F		
		B BLUES 125	125	1993		F		
		B EXCALIBUR 350	350	1986	1989	F		
		B KANGURO 350	350	1987		F		
		B RX 50 RACING	50	2000		F		
MOTORHISPANIA PUCH YAMAHA	B 125	125	1987		F			
	B DT 125 (Italia)	125	1986	1987	F			
	B DT 125 TENERE (Italia)	125	1987		F			
FDB449	YAMAHA	B FZR 250	250	1986	1988	F		
		B R1 250 Z	250	1997		F		
		B TDR 250	250	1988	1992	F		
		B TZ 250	250	1985		F		
		B TZ 250 COMPETITION	250	1988		F		
		B TZR 250	250	1985	1989	F		
		B FZR 400 R	400	1987	1990	F		
		B SRX 400	400	1987	1989	F		
		B SRX 600	600	1988	1990	F		
		B TDM 850	850	1991	1995	F		
		B TRX 850	850	1995	1999	F		
		B FZR 1000 GENESIS - EX-UP	1000	1986	1988	F		
		B FJ 1200 W - WC	1200	1989	1991	F		
		B XVZ 1300 AH/ATH ROYAL STAR	1300	1996	2001	R		
		B XVZ 1300 TF VENTURE STAR	1300	1999	2001	R		
		B XV 1600 A WILD STAR	1600	1999		R		
FDB452	HONDA	B RS 125 R	125	1988		F		
		B CB 250	250	1988	1991	F		
		B VTZ 250	250	1988		F		
		B TRANSALP 400	400	1992		F		
		B NX 650 DOMINATOR	650	1993	1994	F		
		B VFR 700 F/F2 INTERCEPTOR	700	1986	1987	F		
		B CBR 1000 F	1000	1987	1988	F		
		B CBR 1000 R HURRICANE	1000	1987	1988	F		
		FDB462	HONDA	B CBR 250 F	250	2004		F
				B CBR 250 R HURRICANE	250	1986	1988	F
B NSR 250	250			1986		F		
B NSR 250 R	250			1986	1987	F		
B VT 250 F INTEGRA	250			1987		F		
B CB 350 SG	350			1986		F		
B CBR 400 RG (NC23) 100	400			1986	1986	F		
B CBR 400 RH-YA (NC23) 101	400			1986	1986	F		
B VFR 400 R	400			1986	1987	F		
B VFR 400 R	400			1987	1989	F		
FDB475	HONDA-HM ITALIA YAMAHA	B CBX 450 S	450	1987		F		
		B CBR 500	500	1987	1990	F		
		B CBR 600 F/R HURRICANE	600	1987	1990	F		
		B XRV 750 R AFRICA TWIN	750	1990	1993	F		
		B CRE 50 (up to frame nr.1000)	50			R		
		B YSR 50	50	1986	1987	F		
		B YSR 60	60	1986	1987	F		
		B DT 80 LC - LC II - N	80	1985		F		
		B TDR 80	80	1989		F/R		
		B YSR 80	80	1986		F		
FDB481	KAWASAKI	B DT 125 LC - R	125	1985	1986	F		
		B DT 125 LC / R	125	1988		F		
		B TDR 125 R	125	1993	2003	R		
		B XC 125 TR CYGNUS R	125	1998	2003	F		
		B RT 180 G	180	1995	2000	F		
		B DT 200 R	200	1988	1991	F/R		
		B XT 350 4 VALVES	350	1986	1987	F		
		B TT 600	600	1987	1992	F		
		B XT 600 4 VALVES	600	1987	1989	R		
		B XT 600 Z TENERE	600	1988	1990	R		



CC FROM TO FRONT / REAR

Code	Brand	Model	CC	FROM	TO	FRONT / REAR
FDB485	HARLEY DAVIDSON	B GPX 250 R NINJA	250	1987	1995	F
		B KDX 250 BALIUS	250	1991	1993	F
		B KLE 250 ANHELO	250	1993	1999	F
		B KLE 250 ANHELO	250	2000	2002	F
		B KR-1 250	250	1988		F
		B ZZR 250 (EX 250 H)	250	1990	1993	F
		B EX 4 400	400	1995		F
		B GPX 400 R	400	1987		R
		B GPZ 400 R	400	1990		R
		B KLE 400	400	1991		F
		B ZL 400 ELIMINATOR	400	1993		F
		B ZR 400 ZEPHYR	400	1993	1995	F
		B ZR 400 ZEPHYR (ZR-C)	400	1989	1992	F
		B ZXR 400	400	1994		F
		B ZZR 400	400	1990	1992	R
		B ER-5 500 (ER)	500	1997	2000	F
		B EX 500 all models	500	1987	1991	F
		B GPZ 500 S	500	1993		R
		B GPZ 500 S	500	1994	1997	F
		B KLE 500	500	1991		F
		B ZZ-R 500	500	1990		R
		B ZEPHYR 550	550	1991		F
		B ZR 550 ZEPHYR	550	1990	1992	F
		B ZR 550 ZEPHYR	550	1993	1999	F
		B GPX 600 R (ZX)	600	1988	1996	F/R
		B GPX 600 R WARBIRD	600	1988	1996	F/R
		B KLE 600	600	1992		F
		B ZL 600 B1 ELIMINATOR	600	1995	1997	F
		B ZX 6R 600 D1-D2 (DX 6)	600	1990	1993	R
		B ZZR 600	600	1990	1992	R
B KL 650 TENGAI	650	1989	1992	F		
B GPX 750 BLACKBIRD	750	1988	1989	F/R		
B GPX 750 WARBIRD	750	1988	1989	F/R		
B GPZ 750 R - G2-3	750	1987		F/R		
B ZR 750	750	1991	1995	F/R		
B ZR 750 ZEPHYR	750	1991	1993	F		
B ZR 750 ZEPHYR	750	1996		R		
B ZX 750 F2 NINJA	750	1988		F/R		
B GPZ 900 R	900	1990	1996	R		
B GPX 1000 R	1000	1988	1990	F/R		
B Z 1000 GTR	1000	1994	2003	F		
B ZX 1000 ELIMINATOR	1000	1988	1990	F/R		
B ZX 1000 RX NINJA - TOMCAT	1000	1988	1990	F/R		
B ZX10 1000 TOMCAT B1-3	1000	1988	1990	F/R		
B ZZR 1000	1000	1991		R		
B ZR 1100 ZEPHIR	1100	1997	2000	R		
B ZR 1100 ZEPHYR (left)	1100	1996	1997	R		
B ZR 1100 ZEPHYR (ZR 1100 A)	1100	1992	1996	R		
B ZX 1100	1100	1993		R		
B ZZR 1100 GT (ZX 1100 C)	1100	1990	1992	R		
B ZRX 1200 R - S	1200	2000		F		
B RG 125 U WOLF	125	1992	1994	F		
B RG 200 WOLF	200	1993	1994	F		
B 250 BANDIT	250	1990		F		
B ACROSS 250	250	1990		F		
B GSF 250 BANDIT	250	1990		F		
B GSX 250 S KATANA	250	1991		F		
B SW1 250	250	1992		F		
B GSF 400 BANDIT	400	1991	1992	F		
B GS 500 E - K - L - M	500	1989	1993	F		
B DR 800 BIG all models	800	1991		F		
B VX 800	800	1990	1994	F		
B GSX 1100 G	1100	1993	1996	F		
B GSX 1100 GM	1100	1991	1992	F		
FDB485	HARLEY DAVIDSON	B FLHR Road King (all models)	1340	1994	1999	R
		B FLHS Electra Glide Sport	1340		1993	R
		B FLHT Electra Glide (all models)	1340	1986	1999	R
		B FLT Tour Glide (all models)	1340	1986	1999	R
		B FLTR Road Glide (all models)	1340	1998	1999	R
		B CB 100 N	100	1978		F
FDB485	HONDA	B CB 125 J	125	1979		F
		B CB 125 T	125	1978		F
		B CB 125 T2 - TA - TB	125	1979		F
		FDB494	KAWASAKI	B KX 60 B9	60	1993
B KX 125 E2 - D1 - E2	125			1987	1988	F
B KX 250 E1 - F1	250			1987	1988	F
B KX 500 C1	500			1987	1988	F
FDB485	HARLEY DAVIDSON	B KLR 650	650	1987	1994	F



			CC	FROM	TO	FRONT / REAR	
FDB495	HONDA	B	CRM 75	75	1990	1994	F
		B	CRM 75 R	75	1990	1994	F
		B	CR 125 RH - J - K - L	125	1987	1994	F
		B	CRM 125	125	1990	1999	F
		B	NX 125 TRANSCITY	125	1989	1997	F
		B	AX 1 250	250	1988		F
		B	CR 250 R	250	1987	1994	F
		B	CRM 250 R	250	1989	1990	F
		B	NX 250	250	1988	1990	F
		B	NX 250 DOMINATOR	250	1988	1990	F
		B	XL 250	250	1990		F
		B	XL 250	250	1991		F
		B	XLR 250 R BAJA	250	1988	1990	F
		B	XR 250 R	250	1988	1993	F
		B	CRE 260	260	1990		F
		B	CR 500 R	500	1987	1992	F
		B	XR 600 R	600	1988	1990	F
		B	XR 600 R	600	1991	1993	F
		B	XR 650 L	650	1993	1995	F
	HONDA 3 WHEELERS	A	ATC 350 X	350	1986	2000	F
	HONDA ATV	A	TRX 250 R Fourtrax	250	1986	1989	F
FDB496	HONDA	B	NSR 250 R SE-SP	250	1994		R
		B	RVF 400	400	1994		R
		B	VTR 400 R (NC 30)	400	1989	1991	R
		B	NR 750	750	1992		R
		B	RVF 750 RR (RC 45)	750	1994		R
		B	VFR 750 R (RC-30)	750	1988	1993	R
	KAWASAKI	B	ZXR 750 R STINGER / NINJA	750	1991	1992	R
FDB497	ATK (USA)	B	all models 1994-95		1994	1995	F/R
	BENELLI		Caffe Nero 125	125	2011	2012	F/R
			Macis 125	125	2010	2012	F/R
			Caffe Nero 150	150	2011	2012	F/R
			Macis 150	150	2010	2012	F/R
		B	Caffe Nero 250 Right	250	2008	2011	F
	CAGIVA	B	WR 125	125	1993		F
		B	CANYON 500	500	1995		F
	CFMOTO		CF 125 T-21A E-Charm	125	2010	2012	F
			CF 125 T-22 Glory	125	2010	2011	F
			CF 150 T-5i E-Charm	150	2010	2012	F
			CF 150 T-6A Glory	150	2010	2011	F
		A	CF 500(Terracross) Right	500	2011	2012	F
		A	CF 500-3 (Rancher 500 Side x Side) Right	500	2010	2012	F
		A	CF 625-3 (Z6 Terracross) Right	625	2011	2012	F
	DERBI	B	RUNNER 50 2T Blacksoul	50	2011		F
		B	SENDA DRD Racing 50	50	2011		F
		B	FUOCO 500 ie	500	2011		F
	HONDA	B	CRE 50 Baja	50	2011		F
		B	CRM 50 Derapage	50	2011		F
		B	CA 125 REBEL	125	1995	1997	F
		B	CRE Baja HM 125 4T	125	2011		F
		B	CRM 125 Derapage HM 125 4T	125	2011		F
		B	NSR 150	150	2001	2003	R
		B	CMX 250 C REBEL	250	1996	2000	F
	HUSQVARNA	B	125 ALL MODELS 1992	125	1992		F
		B	125 ALL MODELS 1993	125	1993		F
		B	250 ALL MODELS 1992	250	1992		F
		B	250 ALL MODELS 1993	250	1993		F
		B	TC 610 CROSS	610	1991		F
		B	TE 610	610	1991		F
	HYOSUNG	B	MS3 125	125	2006		F
		B	MS3 250	250	2006		F
	KAWASAKI	B	KLX 125 C	125	2010		F
		B	KLX 125 D (D-Tracker)	125	2010		F
		B	KX 125	125	1989	1994	F
		B	KDX 200 SR	200	1990	1993	F
		B	KDX 250 SR-D	250	1991	1993	F
		B	KLX 250	250	1993		F
		B	KLX 250	250	2008		F
		B	KX 250	250	1989	1994	F
		B	KR 500 ES	500	1993		F
		B	KX 500	500	1989	1994	F
		B	KLR 650	650	2008		F
	KAWASAKI ATV	A	KLF 300 BAYOU 4x4 C Series (left)	300	1989	2004	F
		A	KLF 400 BAYOU 4x4 B Series (left)	400	1993	1999	F
		A	KVF 650 Brute Force 4X4i All models (Left)	650	2007	2008	F
		A	KRF 750 Teryx 4x4 All mod.(Left)-side by side	750	2008		F
		A	KVF 750 BRUTE FORCE All Models (left)	750	2005	2010	F
	KEEWAY		Partner 110	110	2006	2007	F



			CC	FROM	TO	FRONT / REAR	
			125 Logik	125	2013		F/R
			Cityblade 125	125	2013		F
			Outlook 125/150	125	2007	2010	F/R
		B	Superlight 125	125	2007		F
			150 Logik	150	2013		F/R
			Cityblade 150	150	2013		F
		B	Superlight 150	150	2007	2012	F
		B	250 Blackster	250	2014		F
		B	Cruiser 250i	250	2009		F
			350i Index	350	2013		F
			Inox 125 (4T)	125	2012		F
			Zion 125/150 (Rear Disc Model)	125	2011	2012	F
			Zion 125/150 (Rear Drum Model)	125	2008	2010	F
		B	AGILITY 50 (KG10SA)	50	2005	2008	F
			AGILITY 50 R10 (4T)	50	2006		F
			AGILITY 50 R12 (4T)	50	2006		F
			AGILITY RS Naked 50 2T	50	2010		F
		B	FILLY LX 50	50	2000		F
			LIKE LX 50 2T/4T	50	2010		F
			VITALITY 50 (2T & 4T)	50	2004	2009	F
		B	YUP 50	50	2001	2006	F
		B	COBRA 100 RACER	100	1999	2003	F
		B	AGILITY 125	125	2006	2008	F
			AGILITY 125 R12 (4T)	125	2006		F
			AGILITY RS 125 R12 (4T)	125	2010		F
			AGILITY RS 125 R12 (4T) Naked +	125	2010		F
			LIKE LX 125 4T	125	2010		F
			MOVIE 125	125	1998	2000	F
		B	STRYKER 125	125	2001	2006	F
		B	VIVIO 125	125	2000	2003	F
		B	STRYKER 150 (Off-Road)	150	2000	2006	F
			LIKE LX 200 i	200	2010		F
		B	PEOPLE 250 S (Left side)	250	2006	2008	F
			PEOPLE S300i Left	300	2008	2010	F
		B	BLOG 125	125	2008		F
		B	CENTRO 125 ie/SL	125	2007	2011	F
		B	BLOG 160	160	2008		F
		B	CENTRO 160 ie	160	2008		F
			e - Satelis		2011		F/R
			e - Vivacity (Electric)		2011	2012	F
			City Star 125 i	125	2011	2012	F
			Geo RS 125 (Nissin Calipers)	125	2007	2012	F/R
			Geopolis 125 Premium (Nissin Caliper/Non ABS)	125	2007	2012	F/R
			Satelis 125 Avenue (Nissin Calipers)	125	2008	2009	F/R
			SATELIS 125 RS (4T)	125	2013		F
			Vivacity 125 (4T)	125	2010	2012	F
			Vivacity Sixties 125 (4T)	125	2011	2012	F
			City Star 200 i	200	2012		F
			Geo 250 (Nissin Caliper)	250	2007	2011	F/R
			Geopolis 250 Premium (Nissin caliper/ Non ABS)	250	2007	2011	F/R
			Satelis 250 Premium (Nissin Calipers)	250	2007	2012	F/R
			Satelis 250 RS (Nissin Calipers)	250	2007	2012	F/R
			Geo RS 300 (Nissin Calipers)	300	2010	2012	F/R
			Geopolis 300 Premium (Nissin Calipers/Non ABS)	300	2010	2012	F/R
			Geostyle 300 (Nissin Calipers)	300	2010	2012	F/R
			Geo RS 400 (Nissin Calipers)	400	2008	2012	F/R
			Geopolis 400 Premium (Nissin Caliper/ Non ABS)	400	2007	2012	F/R
			Satelis 400 Premium (Nissin Calipers)	400	2008	2011	R
			Satelis 400 RS (Nissin Calipers)	400	2008	2012	R
			Satelis 400 Urban (Nissin Calipers)	400	2008	2012	R
			Geopolis 500	500	2008	2011	R
			Satelis 500	500	2007	2012	R
			Satelis 500 RS (Nissin Calipers)	500	2008	2012	R
			VESPA 946 Special - 125 (4T/3V)	125	2013		F
		A	RS 6 4WD Left	600	2010	2011	F
		B	Bullet500 (Efi / Dual Seat)	500	2009	2014	F
		B	Bullet500 (Efi / Dual Seat)	500	2009	2014	F
		B	BulletBattle Green 500 (Efi / Single Seat)	500	2009	2014	F
		B	BulletBattle Green 500 (Efi / Single Seat)	500	2009	2014	F
		B	BulletClassic 500 (Efi / Single Seat)	500	2009	2014	F
		B	BulletClassic 500 (Efi / Single Seat)	500	2009	2014	F
		B	BulletClassic Chrome 500 (Efi / Single Seat)	500	2009	2014	F
		B	BulletClassic Chrome 500 (Efi / Single Seat)	500	2009	2014	F
		B	BulletDesert Storm 500 (Efi / Single Seat)	500	2012	2014	F
		B	BulletDesert Storm 500 (Efi / Single Seat)	500	2012	2014	F
		B	BulletElectra X (All disc models/Dual Seat)	500	2005	2014	F
		B	BulletElectra X (All disc models/Dual Seat)	500	2005	2014	F
		B	Clubman500 EFI	500	2009	2012	F

B = Bike
A = ATV
S = Snowmobile

B = Bike
A = ATV
S = Snowmobile



CC FROM TO FRONT / REAR

...FDB497

CC	FROM	TO	FRONT / REAR
B	Clubman500 EFI	500 2009 2012	F
B	Electra500 EFI	500 2009 2014	F
B	Electra500 EFI	500 2009 2014	F
B	Fury500 (Efi)	500 2011 2012	F
B	Fury500 (Efi)	500 2011 2012	F
B	Trials500 EFI	500 2009 2012	F
B	Trials500 EFI	500 2009 2012	F
B	Woodsmen500 EFI	500 2009 2012	F
B	Woodsmen500 EFI	500 2009 2012	F
QM	QM 50 10A (B) Hawk	50 2008 2010	F
QM	QM 50 T-10R Eagle 50	50 2010 2012	F
B	QM 125 GY Apache 125 (Rear drum model)	125 2009 2010	F
B	QM 125 GY-2B (A) Apache 125 (Rear disc model)	125 2009 2010	F
B	QM 125 GY-2B Blade 125	125 2009 2010	F
B	QM 125- 2 D Stealth 125 Left	125 2008 2010	F
B	RM 125 H	125 1987	F
B	RM 125 J	125 1988	F
B	RM 125 K - L - M	125 1989 1995	F
B	TS 125	125 1990 1996	F
B	UH 125 BURGMAN ABS	125 2014	F
B	TS 200 R	200 1990 1994	F
B	UH 200 BURGMAN ABS	200 2014	F
B	AN 250 8 Skywave SS Left	250 2008	F
B	AN 250 Skywave Type M (BA-CJ45A) Left	250 2007 2008	F
B	AN 250 Skywave Type S (BA-CJ44A) Left	250 2007 2008	F
B	DJEBEL 250	250 1993	F
B	DR 250 S	250 1990 2000	F
B	RM 250	250 1991 1992	F
B	RM 250 H	250 1987 1988	F
B	RM 250 K - L - M	250 1989 1994	F
B	RM 250 R-S	250 1993 1995	F
B	RMX 250 RP	250 1989	F
B	DR 350	350 1990	F
B	DR 350 S-SH-SE	350 1993 1997	F
B	AN 400 BURGMAN/SKYWAVE ABS (left)	400 2007	F
B	AN 400 BURGMAN/SKYWAVE NO ABS (left)	400 2007	F
B	RM 500	500 1987	F
A	LT-F 300 KING QUAD (left)	300 2002	F
A	LT-R 450 K/Z (left)	450 2006	F
A	LT-A 500 F QUADMASTER (left)	500 2000 2001	F
A	LT-F 500 FW/FX/F1 QUADRUNNER (left)	500 1998 2002	F
A	LT-A 700 KING QUAD (left)	700 2008	F
RS	RS 150	150 2006	R
B	BONNEVILLE 800 / T100	100 2001	R
B	SPEED FOUR 600	600 2002	R
B	TRIDENT 750 (left)	750 1992 1998	F
B	BONNEVILLE T100 SE	865 2012	R
B	AMERICA 865	865 2007	R
B	AMERICA 865 (12 Spoke Cast wheel)	865 2010	R
B	AMERICA LT 865	865 2014	R
B	BONNEVILLE California Street Racer 865	865 2008	R
B	BONNEVILLE Newchurch	865 2015	R
B	BONNEVILLE Spirit	865 2015	R
B	BONNEVILLE T100 865	865 2005	R
B	BONNEVILLE T100 BLACK	865 2012	R
B	BONNEVILLE T214	865 2015	R
B	SCRAMBLER 865	865 2006	R
B	SPEEDMASTER	865 2010	R
B	SPEEDMASTER 865	865 2004	R
B	DAYTONA SPRINT 900 (left)	900 1993	F
B	SCRAMBLER 900	900 2010	R
B	THRUXTON 900	900 2004 2007	R
B	THRUXTON 900	900 2008	R
B	THRUXTON 900 (Front Brembo caliper)	900 2008	R
B	THRUXTON 900 ACE	900 2015	R
B	TIGER 900 (left)	900 1993 1998	F
B	TRIDENT 900 SPRINT (left)	900 1993 1998	F
B	TROPHY 900 (left)	900 1993 1995	F
B	DAYTONA 955i	955 1997 2000	R
B	SPEED TRIPLE 955	955 2002	R
B	SPRINT RS 955 double sided swing arm	955 2003 2004	R
B	SPRINT RS 955 single sided swing arm	955 2003 2004	R
B	SPRINT ST 955	955 1999 2004	R
B	SPEEDMASTER	1000 2012	R
B	SPEED TRIPLE 1050	1050 2004 2007	R
B	SPEED TRIPLE 1050	1050 2007 2012	R
B	SPEED TRIPLE R 1050 (Racing version pad)	1050 2012	R
B	SPEED TRIPLE R 1050 (Road version pad)	1050 2012	R



CC FROM TO FRONT / REAR

FDB498

CC	FROM	TO	FRONT / REAR
B	SPRINT GT 1050	1050 2011	R
B	SPRINT ST 1050 / ABS	1050 2004	R
B	TROPHY 1200 (left)	1200 1993 1995	F
B	TIGER EXPLORER 1200	1215 2012	R
B	TIGER EXPLORER XC 1200	1215 2013	R
B	TROPHY SE	1215 2012	R
B	FZR 50	50 1992	F
B	WR 125	125 1990	F
B	WR 125	125 1991 1992	F
B	YBR 125 ED (5HNB/F/H)	125 2006 2008	F
B	YZ 125	125 1989	F
B	YZ 125 all models	125 1990 1997	F
B	DT 200 WR	200 1991	F
B	WR 200 B	200 1991 1994	F
B	TT 250 R	250 1993 1999	F
B	TT-R 250	250 2000	F
B	WR 250 (Z 2T)	250 1991 1997	F
B	YZ 250	250 1989	F
B	YZ 250	250 1990 1997	F
B	YZ 250	250 1995 1997	F
B	YZ 250 A - B	250 1990 1992	F
B	YZ 360	360 1989	F
B	WR 500 B	500 1991 1992	F
B	WR 500 ZD - ZE	500 1992 1993	F
B	XTZ 750 SUPER TENERE (left)	750 1989	F
A	YZF 450 (left)	450 2004 2005	F
A	YZF 450 (left) - All models	450 2006	F
A	YXR 450 RHINO (left) - side by side	450 2004 2009	F
A	YXR 660 RHINO (left) - side by side	660 2004 2007	F
A	YFM 700 RAPTOR (left) - All Models	700 2006	F
A	YXR 700 RHINO (right) - side by side	700 2008	F/R
B	MC 125	125 1988	F
B	GR 250 ENDURO	250 1988	F
B	MC 250	250 1988	F
B	GR 300 ENDURO	300 1989	R
B	AF 1 125 EUROPA	125 1990 1991	F
B	AF1 125 FUTURA	125 1990 1991	F
B	AF1 125 REPLICA	125 1989 1991	F
B	AF1 125 SINTESI	125 1989 1991	F
B	RS 125 / TUONO 125	125 2004	F
B	RS 125 EXTREMA - REPLICIA	125 1993 1997	F
B	RS 125 EXTREMA - REPLICIA	125 2000 2003	F
B	SPORT PRO 125	125 1993 2003	F
B	AF 1 250 REPLICIA	250 1990	F
B	all models 1988	1988	F
B	all models 1989-93	1989 1993	F
B	DEVIL 50	50 1992	F
B	SPRING 50	50 1992	F
B	DEVIL 80	80 1995	F
B	125 JARNO	125 1989	F
B	CRONO 125	125 1991	F
B	CX 125	125 1991	F
B	GFR 125	125 1993	F
B	MX 1 125	125 1988	F
B	MX R 125	125 1990	F
B	SP 01 125	125 1989	F
B	SP 02 125	125 1990	F
B	CHRONO 50 SCOOTER	50 1994	F
B	GS 125 XC ENDURO SPORT	125 1986 1987	F/R
B	MX 125 VC CROSS	125 1986 1987	F/R
B	GS 250 XC ENDURO SPORT	250 1986 1987	F/R
B	MX 250 VC CROSS	250 1986 1987	F/R
B	GS 300 XC ENDURO SPORT	300 1986 1987	F/R
B	MX 500 CROSS	500 1986 1987	F/R
B	GXE 550	550 1986 1987	F/R
B	MX 550 LC4	550 1987	F/R
B	ENDURO 600 all models	600 1986 1987	F/R
B	QUOTA 1000	1000 1993 1995	F
B	SKORPION CUP / SPORT / TOUR / TRAVELLER	660 1995	F
B	XTC 125 SUPERSPORT	125 2000	F
B	ROADSTER 650	650 2001	F
B	ROADSTER 800	800 2001	F
B	AR 250	250 1992	F
B	GR 300 ENDURO	300 1989	F
B	AF1 125	125 1987	F
B	TUAREG 350 WIND	350 1989	F
B	WMX 50	50 1989	F
B	N 90 ENDURO	90 1990	F



CC FROM TO FRONT / REAR

CC	FROM	TO	FRONT / REAR	
...FDB499	B	CRUISER 125	125 1987 F	
	B	FRECCIA 125	125 1987 F	
	B	FRECCIA 125 C9	125 1988 F	
	B	WMX 125 CROSS	125 1987 F	
	B	WMX 250 CROSS	250 1987 F	
	B	ELEFANT 750 BIFARO	750 1990 F	
GILERA	B	APACHE 125	125 1991 F	
	B	RC 125 TOP RALLY	125 1989 F	
	B	RC 600	600 1989 1990 F	
	B	RC 600 TOP RALLY	600 1990 F	
HONDA-HM ITALIA	B	CRE 50 (up to frame nr.1000)	50 F	
HUSABERG	B	501 ENDURO	50 1992 1993 F	
	B	MC 350	350 1991 1993 F	
	B	MC 350	350 1994 F	
	B	500 all models	500 1991 1992 F	
	B	600 ENDURO	600 1992 1993 F	
HUSQVARNA	B	CR 125 CROSS	125 1991 1995 F	
	B	WR 125	125 1987 1990 F	
	B	WR 125	125 1991 1997 F	
	B	WRE 125	125 1988 F	
	B	WRE 125	125 1989 1994 F	
	B	CR 240	240 1987 F	
	B	WR 240	240 1987 1990 F	
	B	WR 240	240 1991 F	
	B	WRK 240	240 1988 F	
	B	CR 250 CROSS	250 1991 1995 F	
	B	WR 250	250 1987 1989 F	
	B	WR 250	250 1990 1991 F	
	B	WR 250	250 1992 1994 F	
	B	XC 250	250 1987 F	
	B	WR 260	260 1991 F	
	B	WRK 260	260 1988 F	
	B	TE 350	350 1990 1995 F	
	B	WR 400	400 1987 F	
	B	AE 430	430 1988 F	
	B	AUTO 430	430 1987 F	
	B	CR 430	430 1987 F	
	B	WR AE 430	430 1987 F	
	B	XC 430	430 1987 F	
	B	XC 500	500 1987 F	
	B	TC 510	510 1988 F	
	B	TE - AC - LC 510	510 1987 F	
	B	TE 510	510 1990 F	
	B	WRK 600	600 1989 F	
KRAM IT	B	ER 125 RV 3	125 1988 F	
	B	ER 250 RV 3	250 F	
	B	ER 300 RV 3	300 1988 F	
LAVERDA	B	CR 600 CRUISER	600 1987 F	
MOTO MORINI	B	EXCALIBUR 501	50 1989 F	
	B	NEW YORK 501	50 1989 F	
	B	COGAURO 350	350 1990 F	
	B	DART 350	350 1988 1989 F	
	B	EXCALIBUR RLX 350	350 1990 F	
	B	NEW YORK 350	350 1989 F	
TM	B	all models 80	80 1990 1993 F	
	B	GS 80	80 1986 1989 F	
	B	MC 80	80 1986 1989 F	
	B	GS / MC 125	125 1990 1993 F	
	B	GS 125	125 1986 1989 F	
	B	MC 125	125 1986 1989 F	
YAMAHA	B	DT 80 LC (Espana)	80 1989 F	
	B	DT 125 CHESTERFIELD SCOUT	125 1989 F	
	B	TDR 125	125 1992 F	
	B	TDR 125 (Italia)	125 1990 1991 F	
FDB508	KAWASAKI	B	GPX 250 R NINJA	250 1987 1995 R
		B	KR-1 250	250 1988 R
		B	KR-1 250	250 1989 F/R
		B	KR-1 250 C1 - C3	250 1990 1992 R
		B	ZXR 250	250 1989 F
		B	GPX 400 R	400 1987 F
		B	GPX 400 R	400 1988 F/R
		B	GPZ 400 R	400 1990 F
		B	XANTUS 400	400 1992 F
		B	ZR 400 ZEPHYR (ZR-C)	400 1989 1992 R
		B	ZX 4 400	400 1988 F/R
		B	ZEPHYR 550	550 1991 R
		B	ZR 550 ZEPHYR	550 1990 1992 R
		B	ZR 750 ZEPHYR	750 1991 1993 R



CC FROM TO FRONT / REAR

CC	FROM	TO	FRONT / REAR	
	SUZUKI	B	KR 1250	1250 1989 F/R
		B	RGV 250	250 1994 1996 R
		B	RGV 250 R	250 1990 1992 R
		B	RGV 500 GAMMA	500 1990 R
		B	GSX 1100 G	1100 1993 1996 R
FDB529	APRILIA	B	TUAREG 125 WIND	125 1990 F
		B	TUAREG 350 WIND	350 1990 F
		B	TUAREG 600 WIND	600 1990 F
		B	TUAREG 600 WIND PARIS-DAKAR	600 1989 F
		B	TUAREG 600 WIND.	600 1989 F
	CAGIVA	B	SUPERCITY 50	50 1993 F
		B	SUPERCITY 80	80 1994 F
		B	FRECCIA 125 C10	125 1988 F
		B	FRECCIA 125 C10 ANNIVERSARIO	125 1989 F
		B	FRECCIA 125 C10 R	125 1988 F
		B	FRECCIA 125 C12 R	125 1989 1990 F
		B	FRECCIA 125 C12 R	125 1991 F
		B	K7 125 ENDURO	125 1991 F
		B	MITO 125	125 1991 1992 F
		B	N 125	125 1991 F
		B	SUPERCITY 125	125 1994 F
		B	TAMANACO 125	125 1989 F
		B	W8 125 PRO ACTION	125 1992 1995 F
		B	W8 125 PRO ACTION	125 1996 F
		B	W 12 350	350 1992 F
		B	W 16 650	650 1993 F
		B	ELEFANT 750	750 1988 1989 R
	GILERA	B	RC 600	600 1991 F
		B	RC 600 NORD WEST	600 1991 F
		B	RC 600 R	600 1991 F
	MOTO MORINI	B	COGUARO 501	50 1989 F
		B	DART 350	350 1990 F
		B	DART 400	400 1990 F
		B	WOLF 250	250 1990 F
FDB531	BUELL	B	M2 Cyclone, S1 Lightning-Whelighting, S3-S3T Thunderbolt, X1 Lightning	1998 2002 R
		B	M2 Cyclone, X1 Lightning	2000 2005 R
		B	Blast 500	500 2000 2007 R
		B	Firebolt XB9R	984 2002 2007 R
		B	XB9 SX Lightning	984 2008 2010 R
		B	XB9S Lightning	984 2003 2004 R
		B	XB9SX Lightning CityX	984 2005 2009 R
		B	XB12 R Firebolt	1200 2004 2008 R
		B	XB12 R Firebolt	1200 2009 2010 R
		B	XB12 S Lightning	1200 2004 2008 R
		B	XB12 S Lightning	1200 2009 2010 R
		B	XB12 SCG Lightning	1200 2006 2008 R
		B	XB12 SCG Lightning	1200 2009 2010 R
		B	XB12 Ss Lightning Long	1200 2006 2008 R
		B	XB12 Ss Lightning Long	1200 2009 2010 R
		B	XB12 STT Lightning	1200 2008 R
		B	XB12 X Ulysses	1200 2006 2010 R
		B	XB12 XT Ulysses	1200 2008 2010 R
	HONDA	B	FES 150 PANTHEON	150 2003 2006 R
		B	CB 250 FT HORNET	250 1996 2001 R
		B	CBR 250 R - RRR	250 1990 1994 R
		B	CBR 250 R HURRICANE	250 1986 1988 R
		B	FE 250 FORESIGHT	250 1999 R
		B	JADE 250	250 1991 R
		B	NSR 250 R - SP	250 1988 1993 R
		B	RS 250 R	250 1991 R
		B	VT 250 SPADA	250 1988 R
		B	VTR 250 (MC33)	250 1998 2009 R
		B	CB 400 FK (CB-1)	400 1990 R
		B	CB 400 SUPER FOUR	400 1992 R
		B	CB 400 SUPER FOUR S	400 1997 1998 R
		B	CB-1 400 F	400 1989 R
		B	CBR 400 RRL/RRK (NC23) Tri-Arm (102/109)	400 1987 1989 R
		B	CBR 400 RRL/RRR/RRR (NC29) Gull Arm	400 1990 1994 R
		B	NTV 400 BROS	400 1988 R
		B	TRANSALP 400	400 1992 R
		B	VFR 400 R	400 1987 1989 R
		B	CB 500 F Twin	500 2013 R
		B	CB 500 R	500 2013 R
		B	CB 500 X	500 2013 R
		B	CBR 500 R	500 2013 R
		B	NX 500 DOMINATOR	500 1988 1996 R
		B	NTV 600 BROSS	600 1988 1992 R
		B	NTV 600 REVERE - HAWK	600 1990 1992 R

B = Bike
A = ATV
S = Snowmobile

FERODO
MOTORCYCLE PADS

Updated on 9th Oct 2015

B = Bike
A = ATV
S = Snowmobile

3019



CC FROM TO FRONT / REAR

...FDB531

CC	FROM	TO	FRONT / REAR
B	XL 600 V TRANSALP	600 1991 1993	R
B	XL 600 V TRANSALP	600 1994 1996	R
B	XL 600 V TRANSALP	600 1997 1999	R
B	FMX 650	650 2007	R
B	NT 650 HAWK GT	650 1988 1990	R
B	NT 650 V DEAUVILLE	650 1998 2001	R
B	NTV 650	650 1994 1997	R
B	NTV 650 BROS - I	650 1990 1993	R
B	NTV 650 REVERE	650 1988 1993	R
B	NX 650 DOMINATOR	650 1993 1994	R
B	NX 650 DOMINATOR	650 1995 1997	R
B	NX 650 DOMINATOR J - K	650 1988 1992	R
B	XL 650 V TRANSALP	650 2000	R
B	XRV 650 AFRICA TWIN	650 1988 1989	R
B	NC 700 S,X (manual gearbox - No ABS)	700 2012	R
B	NM4 Vultus	750 2015	R
B	XRV 750 R AFRICA TWIN	750 1990 1993	R
B	XRV 750 R AFRICA TWIN	750 1994 2003	R
B	SV 250	250 2001	R
B	QM 125- 2 D Stealth 125 Left	125 2008 2010	R
B	TT 600	600 2000 2003	R
B	DAYTONA 675	675 2009 2012	R
B	DAYTONA 675 / Special Edition / Triple	675 2006 2008	R
B	DAYTONA 675 R (Racing version pad)	675 2011 2012	R
B	DAYTONA 675 R (Road version pad)	675 2011 2012	R
B	STREET TRIPLE 675	675 2007 2012	R
B	STREET TRIPLE 675 R	675 2009 2012	R
B	BONNEVILLE 800 (USA version)	800 2001	R
B	TIGER 800 (NO ABS)	800 2011	R
B	TIGER 800 XC	800 2015	R
B	TIGER 800 XC (NO ABS)	800 2011	R
B	TIGER 800 XC SE	800 2014	R
B	TIGER 800 XCx	800 2015	R
B	TIGER 800 XR	800 2015	R
B	TIGER 800 XRx	800 2015	R
B	DAYTONA 955i	955 2001 2004	R
B	TIGER XC	1050 2011	R
B	YP 250 X-MAX MOMODESIGN	250 2015	R
B	FZ6R 600	600 2009	R
B	XJ6-F Diversion 600 (Non ABS&ABS models)	600 2010 2013	R
B	XJ6-N Diversion 600 (Non ABS&ABS models)	600 2009 2013	R
B	XJ6-S Diversion 600 (Non ABS&ABS models)	600 2009 2013	R
FDB533	HONDA		
B	CB 250 FT HORNET	250 1996 2001	F
B	CBR 250 R - RR	250 1990 1994	F
B	NSR 250 R - SP	250 1988 1993	F
B	RS 250 R	250 1991	F
B	NTV 400 BROS	400 1988	F
B	VTR 400 R (NC 30)	400 1989 1991	F
B	NTV 600 BROSS	600 1988 1992	F
B	NTV 650 BROS - I	650 1990 1993	F
B	NR 750	750 1992	F
B	VFR 750 R (RC-30)	750 1988 1993	F
B	CB 900 HORNET	900 2002	F
B	CBR 900 RR-FIREBLADE (SC28)	900 1992 1995	F
B	CB 1000 SF	1000 1993 1997	F
B	CBR 1000 BIG ONE	1000 1993 1997	F
B	VTR 1000 FV FIRESTORM - SUPERHAWK	1000 1997 2000	F
B	CB 1300 X4	1300 1997 2000	F
FDB538	HONDA		
B	CN 250	250 1990 1992	F
B	CN 250	250 1993 2000	F
B	VT 250 F2	250 1982	F
B	CB 400 N/F	400 1983	F
B	CBX 400 C	400 1983	F
B	NS 400 RF - RG	400 1985	F
B	VF 400 F INTEGRA	400 1982	F
B	VF 700 F INTERCEPTOR	700 1984 1985	R
B	VFR 700 F/F2 INTERCEPTOR	700 1986 1987	R
B	CBR 750 F HURRICANE	750 1987 1988	R
B	VF 750 CH	750 1987 1989	F
B	VFR 750 C V45 MAGNA	750 1988	F
B	CBR 1000 F	1000 1987 1988	R
B	CBR 1000 R HURRICANE	1000 1987 1988	R
B	CB 1100 RC	1100 1980 1983	F/R
B	CB 1100 RC ventilated discs	1100 1980 1983	F/R
B	CBX 1100 F	1100 1982 1985	F
FDB539	AJP		
B	PR5 250 Enduro	250 2009	R
B	PR5 250 Enduro	250 2010 2011	R
B	PR5 250 Supermoto	250 2009	R



CC FROM TO FRONT / REAR

CC	FROM	TO	FRONT / REAR
B	PR5 250 Supermoto	250 2010 2011	R
B	GPR 50 NAKED	50 2004 2006	R
B	GPR 80 CUP	80 2004 2007	R
B	EC / MC 125	125 2000	R
B	EC 200	200 2001	R
B	EC / MC 250	250 2000	R
B	EC / MC 300	300 2000	R
B	EC 400	400 2001	R
B	FSE 450	450 2004	R
B	FSE 450 SM	450 2003	R
B	CRM 50	50 1993 1996	R
B	NSR 50 (Spain)	50	R
B	CRM 75	75 1990 1994	R
B	CRM 75 R	75 1990 1994	R
B	YUPY 75	75 1991	F
B	CR 80 R	80 1992 2006	R
B	CR 80 R	80 2007	R
B	CRM 80	80 1993	R
B	NSR 80 R	80 1987 1992	R
B	NSR 80 R	80 1993 1998	R
B	CR 85 R/RB	85 2003 2007	R
B	CR 125 RH - J - K - L	125 1987 1994	R
B	CR 125 RW - RX - RY - R1	125 1996 2001	R
B	CRM 125	125 1990 1999	R
B	XLR 125	125 1993	R
B	XLR 200 R	200 1993	R
B	CRF 230 F	230 2008	R
B	EASY 230 Enduro /SM	230 2008	R
B	CR 250 R	250 1987 1994	R
B	CR 250 R	250 1996	R
B	CRM 250 R	250 1989 1990	R
B	CRM 250 R	250 1991	R
B	XL 250	250 1990	R
B	XLR 250 R	250 1991	R
B	XLR 250 R BAJA	250 1988 1990	R
B	XLR 250 R BAJA	250 1991	R
B	XR 250 L	250 1991 1995	R
B	XR 250 R	250 1988 1993	R
B	XR 250 R	250 1994	R
B	CRE 260	260 1990	R
B	XR 400 R (All Models)	400 1996	R
B	XR 400 SUPERMOTARD	400 2000	R
B	XR 440 R (DALL'ARA)	440 1999	R
B	CR 500 R	500 1987 1992	R
B	CR 500 R	500 1993 1994	R
B	CR 500 R	500 1995 2001	R
B	XR 600 L - R	600 1994 2002	R
B	XR 600 R	600 1991 1993	R
B	XR 650 L	650 1993 1995	R
B	XR 650 L	650 1996	R
B	XR 650 R	650 1999	R
B	TE 125	125 2007 2010	R
B	WXE 125	125 2007	R
B	KX 125	125 1996 2002	R
B	KX 125	125 2003	R
B	KDX 250 K2-K4	250 1995	R
B	KX 250	250 1996 2002	R
B	KX 250	250 2003	R
B	KLX 300 R	300 1997 2003	R
B	KX 500 E8/E9	500 1996	R
B	SUPER 9 50	50 1999 2000	F
B	SV 80 EXECUTIVE	80 1996	F
B	RM 125 T - U - V	125 1996 1998	R
B	RM 125 X - Y - K1	125 1999 2008	R
B	RM 250	250 2000 2008	R
B	RM 250 T/V	250 1996 1999	R
B	DR-Z 400 S - E - SM	400 2000	R
B	DR 650 SE	650 1996	R
B	SR 100 SUNRISE	100 1998	F
B	MX 85 (Big Wheel)	85 2002 2004	R
B	MX 85 JR (Small Wheel)	85 2002 2004	R
B	Enduro EN 125 (2T)	125 2001 2004	R
B	Enduro EN 125 (2T)	125 2005	R
B	MX 125 (2T)	125 2004	R
B	Enduro EN 250 (2T)	250 2001 2004	R
B	MX 250 (2T)	250 2001 2004	R
B	MX 250 (4T) Cross	250 2002 2004	R
B	SM 250	250 2002	R

3020

B = Bike
A = ATV
S = Snowmobile

FERODO
MOTORCYCLE PADS

Updated on 9th Oct 2015

B = Bike
A = ATV
S = Snowmobile



CC FROM TO FRONT / REAR

Code	Brand	Model	CC	FROM	TO	FRONT / REAR	
...FDB539	YAMAHA	B SME 250 (4T)	250	2004		R	
		B Enduro EN 300 (2T)	300	2001	2004	R	
		B MX 300 (2T)	300	2001	2004	R	
		B 400 (4T) MX Cross	400	2002	2003	R	
		B SM 400	400	2002	2003	R	
		B SME 400 (4T)	400	2004		R	
		B EN 450 F (4T)	450		2004	R	
		B MX 450 F (4T)	450		2004	R	
		B MX 450 F - USA version	450	2005	2008	R	
		B SMX 450 F Competition (4T)	450	2005	2008	R	
		B 530 (4T) Cross	530	2002	2003	R	
		B EN 530 F (4T)	530		2004	R	
		B MX 530 F	530		2004	R	
		B SM 530	530	2002	2003	R	
		B SME 530 (4T)	530	2004		R	
		B SMX 660 F	660		2004	R	
		B YZ 125 all models	125	1998	2002	R	
		B TT-R 250	250	2000		R	
		B WR 250 (ZK 2T - FN&FT 4T)	250	1998	2002	R	
		B YZ 250 FN-FP (4T)	250	2001	2002	R	
		B YZ 250 K/L/M	250	1998	2000	R	
		B YZ 250 N-P (2T)	250	2001	2002	R	
		B WR 400 F	400	1999	2001	R	
		B YZ 400 F	400	1998		R	
		B WR 426 FN	426	2001	2002	R	
		B YZ 426 FM / FN	426	2000	2002	R	
FDB557		SUZUKI	B RGV 250 R	250	1988		F
		B GSX-R 400 R	400	1990	1995	F	
		B GSX-R 750	750	1988	1993	F	
		B RF 900 RR	900	1994	1995	F	
		B RF 900 RT - RV	900	1996	1999	F	
		B GSX-R 1100 K - L - M - N	1100	1989	1992	F	
		B GSF 1200 T-ST-V-SV- BANDIT	1200	1995	2000	F	
	TRIUMPH	B BABY SPEED 600	600	2004		F	
		B DAYTONA 600	600	2003		F	
		B SPEED FOUR 600	600	2002		F	
		B TT 600	600	2000	2003	F	
		B DAYTONA 750 SPORT	750	1991	1992	F	
		B DAYTONA 900	900	1993	1996	F	
		B DAYTONA SPRINT 900	900	1994	1998	F	
		B SPEED TRIPLE 900	900	1994		F	
		B TROPHY 900	900	1996	1998	F	
		B DAYTONA 955i	955	1997	2000	F	
		B DAYTONA 955i	955	2001	2004	F	
		B SPEED TRIPLE 955	955	2002		F	
		B SPRINT RS 955 double sided swing arm	955	1999	2002	F	
		B SPRINT RS 955 double sided swing arm	955	2003	2004	F	
		B SPRINT RS 955 single sided swing arm	955	2003	2004	F	
		B SPRINT ST 955	955	1999	2004	F	
		B DAYTONA 1000 SPORT	1000	1991	1992	F	
		B SPRINT GT 1050	1050	2011		F	
		B SPRINT ST 1050 / ABS	1050	2004		F	
		B DAYTONA 1200	1200	1993	1998	F	
		B TROPHY 1200	1200	1996	2001	F	
		B TIGER EXPLORER 1200	1215	2012		F	
		B TIGER EXPLORER XC 1200	1215	2013		F	
		B THUNDERBIRD 1600	1600	2009		F	
		B THUNDERBIRD COMANDER	1700	2014		F	
		B THUNDERBIRD LT	1700	2014		F	
		B THUNDERBIRD NIGHT STORM	1700	2015		F	
		B THUNDERBIRD STORM 1700	1700	2011		F	
		B ROCKET III ROADSTER	2294	2010		F	
		B ROCKET X	2294	2015		F	
		B ROCKET 2300 /Rocket III Classic/Touring/Roadster	2300	2004		F	
		YAMAHA	B TZ 125	125	1997		F
			B TZ 250 (Radial Caliper)	250	2002		F
	B TZ 250 A - GP		250	1990	2001	F	
	B TZR 250 R - SP		250	1989	1992	F	
	B FZR 750 (O W01)		750	1989	1991	F	
FDB569	SUZUKI		B GSX 600 F KATANA	600	1988	1993	F
	B GSX 750 FK/FL/FM/FN/FP/FR/FS/FT/FV	750	1989	1997	F		
	B VX 800	800	1990	1994	R		
	B VX 800	800	1995		R		
	B GSX 1100 FK - L - M - N - R	1100	1988	1993	F/R		
	B GV 1400 CAVALCADE	1400	1987	1988	F		
FDB570	BMW	B evolution (elettrico)		2014		F/R	
	B C 600 GT Special Edition	600	2015		F		
	B C 600 SPORT	600	2012		F		



CC FROM TO FRONT / REAR

Code	Brand	Model	CC	FROM	TO	FRONT / REAR	
	CAGIVA	B C 600 SPORT Highline	600	2013		F	
		B C 600 SPORT Special Edition	600	2015		F	
		B C 650 GT	650	2012		F	
		B C 650 GT Highline	650	2013		F	
		B 900 CAT	900	1993		F	
		B GRAN CANYON 900	900	1999		F	
		B NAVIGATOR / NAVIGATOR T	1000	2000	2005	F	
		HONDA	B RS 125 R	125	1991	1994	F
			B CB 250 NIGHT HAWK	250	1991	2001	F
			B CBR 250 R	250	2011		F
			B CBX 250 F	250	1995		F
			B JADE 250	250	1991		F
			B VT 250 CR MAGNA	250	1994		F
			B VT 250 SPADA	250	1988		F
			B VTZ 250 XELVIS	250	1992		F
			B CB 400 FK (CB-1)	400	1990		F
			B CB 400 SUPER FOUR	400	1992		F
			B CB-1 400 F	400	1989		F
			B CBR 400 RR/RRK (NC23) Tri-Arm (102/109)	400	1987	1989	F
			B CBR 400 RRL/RRN/RRR (NC29) Gull Arm	400	1990	1994	F
			B CB 500 R	500	2013		F
			B CB 500 R/T	500	1994	1996	F
			B CB 500 X	500	2013		F
			B CBR 500 R	500	2013		F
			B CB 600 F HORNET	600	2007		F
			B CB 600 F HORNET (16 wheel)	600	1998	1999	F
			B CB 600 F HORNET (17 wheel)	600	2000	2006	F
			B CB 600 F HORNET S (17 wheel)	600	2000	2004	F
			B CBF 600 4/A4 / HORNET / Travel	600	2004		F
			B NTV 600 REVERE - HAWK	600	1990	1992	F
			B SW-T 600 ABS	600	2011		R
			B VT 600 C SHADOW	600	1994	2003	F
			B XL 600 V TRANSALP	600	1994	1996	F
	B NT 650 HAWK GT		650	1988	1990	F	
	B NTV 650		650	1994	1997	F	
	B NTV 650 REVERE		650	1988	1993	F	
	B DN-01 Sports Cruiser		680	2009		R	
	B VFR 700 F INTERCEPTOR		700	1988		F/R	
	B CB 750 N SEVEN FIFTY		750	1992	2002	F	
	B CBR 750 F		750	1988		F/R	
	B MAGNA 750	750	1993		F		
	B NM4 Vultus	750	2015		F		
	B VF 750 C	750	1993		F		
	B VFR 750 F	750	1990	1993	F		
	B VFR 750 F	750	1994	1997	F		
	B CROSSRUNNER	780	2011		R		
	B PC 800 PACIFIC COAST	800	1989	1997	F		
	B VFR 800 F	800	2014		R		
	B VFR 950 F CARAT	950	1992		F		
	B CB 1000 SUPERFOUR (BIG FOUR)	1000	1992		F		
	B CBF 1000	1000	2006		F		
	B CBR 1000 F	1000	1989	1992	F/R		
	B 1100 AMERICAN CLASSIC EDITION	1100	1995		F		
	B ST 1100 PAN EUROPEAN	1100	1990	2000	F/R		
	B ST 1100 PAN EUROPEAN ABS/TCS	1100	1992	1995	F/R		
	B VT 1100 C SHADOW	1100	1994		F		
	B VT 1100 C2 SHADOW	1100	1995		F		
	B VTX 1300 S / C	1300	2003		F		
	B GL 1500 FC6	1500	1997	1999	F/R		
	HYOSUNG	B V2 125	125	1999		F	
		KAWASAKI	B J300	300	2014		F
			B Z 750 / Z 750 S	750	2007		F
			B Z800 E (CDS)	800	2013		F
			B G-DINK 125i	125	2012		F
			B XCITING 250	250	2004	2005	F
	B DOWNTOWN 300 i ABS		300	2010		F	
	B G-DINK 300i	300	2012		F		
	B XCITING 500	500	2004		F/R		
	B XCITING 500 (T70000)	500	2005	2005	F		
	B XCITING 500 / 500i	500	2005		R		
	B XCITING 500 i (T20020)	500	2006	2008	F		
	B XCITING 500 R (T70021)	500	2009	2009	F		
	MOTO GUZZI	B BELLAGIO 1000 / Aquila Nera	1000	2008		R	
		B V12 X / Strada	1200	2010		R	
		B V12 X / Strada	1200	2010		R	
		B SATELIS 125 / 600	125	2004	2005	F	
	PEUGEOT	B Sateelis 400 Premium (Nissin Calipers)	400	2008	2011	F	
		B Sateelis 400 RS (Nissin Calipers)	400	2008	2012	F	

B = Bike
A = ATV
S = Snowmobile

FERODO
MOTORCYCLE PADS

Updated on 9th Oct 2015

B = Bike
A = ATV
S = Snowmobile

3021



CC FROM TO FRONT / REAR

...FDB570

CC	FROM	TO	FRONT / REAR
SUZUKI	Satelis 400 Urban (Nissin Calipers)	400 2008 2012	F
	Geopolis 500	500 2007 2011	F
	Satelis 500	500 2007 2012	F
	Satelis 500 RS (Nissin Calipers)	500 2008 2012	F
	Inazuma 250	250 2013	F
	Inazuma 250F	250 2015	F
	Inazuma 250Z	250 2015	F
	GSF 400 BANDIT	400 1995 1997	F
	GSX 400 IMPULSE	400 1994 1996	F
	RF 400 RVC	400 1993	F
	GSF 600 BANDIT	600 1995 1999	F
	GSX-R 600 F	600 1994 1995	F
	RF 600 RR	600 1993 1997	F
	AN 650 BURGMAN Executive/Skywave ABS	650 2004	F
	AN 650 BURGMAN Std/Skywave No ABS	650 2003	F
	INTRUDER C1500 BT-T	1500 2013	F
SYM	Cevalo B9A (125cc -4T)	125 2010 2010	F
TRIUMPH	STREET TRIPLE 675	675 2007 2012	F
	STREET TRIPLE 675	675 2013	F
	BONNEVILLE 800 (USA version)	800 2001	F
	TIGER 800 (NO ABS)	800 2011	F
	TIGER 800 XC	800 2015	F
	TIGER 800 XC (NO ABS)	800 2011	F
	TIGER 800 XC SE	800 2014	F
	TIGER 800 XCx	800 2015	F
	TIGER 800 XR	800 2015	F
	TIGER 800 XRx	800 2015	F
	AMERICA LT 865	865 2014	F
	SPEEDMASTER 865	865 2004	F
	ADVENTURER 900	900 1996 2001	F/R
	LEGEND 900 TT	900 1999 2001	F/R
	THRUXTON 900	900 2004 2007	F
	THUNDERBIRD 900 / SPORT	900 1995	F/R
	TIGER 950	950 1999	F/R
YAMAHA	WR 250 X (Supermotard) (32D2/4)	250 2008 2010	F
	MT-01 1670	1670 2005 2006	R
	MT-01 1670	1670 2007	R
FDB574	KAWASAKI		
	VN 200	200 2007	F
	KR-1 250 C1 - C3	250 1990 1992	F
	ZXR 400	400 1991	F
	ZZR 400	400 1990 1992	F
	ZZR 400	400 1993	F
	GPZ 500 S	500 1993	F
	ZZ-R 500	500 1990	F
	ZX 6R 600 D1-D2 (DX 6)	600 1990 1993	F
	ZX 6R 600 NINJA	600 1994 1997	F
	ZZR 600	600 1990 1992	F
	ZZR 600	600 1993	F
	ZX-7 750 R NINJA	750 1989 1995	F
	ZXR 750	750 1989 1990	F
	ZXR 750 R	750 1993 1995	F
	ZXR 750 R STINGER / NINJA	750 1991 1992	F
	GPZ 900 R	900 1990 1996	F
	X-9 R 900 NINJA	900 1994 1995	F
	ZX-9R 900 R NINJA (B1 - B2)	900 1994 1995	F
	KLZ VERSYS 1000	1000 2012	F
	KLZ VERSYS 1000	1000 2015	F
	ZZR 1000	1000 1991	F
	ZR 1100 ZEPHYR (ZR 1100 A)	1100 1992 1996	F
	ZX 1100	1100 1993	F
	ZZR 1100 GT (ZX 1100 C)	1100 1990 1992	F
	ZZR 1100 GT (ZX 1100 D)	1100 1993 2001	F
	ZZR 1200	1200 2002	F
	VN 1700 Classic&Classic Tourer ABS	1700 2010	F
	VN 1700 Voyager (B/BA)	1700 2009	F
	VN 1700 Voyager Custom (KB)	1700 2011	F
	VN 2000 VULCAN / CLASSIC	2000 2004	F
SUZUKI	RG 125 T - FV	125 1992 1996	F
	RG 200 GAMMA	200 1993 1994	F
	COBRA 250	250 1989	F
	COBRA 250	250 1990	F
	GOOSE 250	250 1992	F
	GSX-R 250 R - R/SP	250 1989	F
	RGV 250	250 1993	F
	RGV 250	250 1994 1996	F
	RGV 250 R	250 1989	F
	RGV 250 R	250 1990 1992	F
	GOOSE 350	350 1992	F



CC FROM TO FRONT / REAR

FDB583

CC	FROM	TO	FRONT / REAR
	GSF 400 BANDIT	400 1993 1994	F
	GSF 400 S KATANA	400 1989 1990	F
	GSX 400 KATANA	400 1989 1992	F
	GSX-R 400 (V)	400 1989 1990	F
	RGV 500 GAMMA	500 1990	F
	GSR 600 /A / ABS	600 2006 2008	F
	GSX-R 600 V	600 1996 2003	F
	GSF 650 (Naked Bandit Non ABS)	650 2007 2011	F
	GSF 650 A (Naked Bandit ABS)	650 2007 2011	F
	GSF 650 S (Faired Bandit Non ABS)	650 2007 2011	F
	GSF 650 SA (Faired Bandit ABS)	650 2007	F
	GSX 650F (ABS)	650 2008	F
	GSX 650F (NO ABS)	650 2008 2011	F
	GSX-R 750 Y	750 2000 2003	F
	SV 1000 K3/SK3	1000 2003	F
	TL 1000 SV TWIN	1000 1997 2001	F
	GSF 1250 (Naked Bandit - Non ABS)	1250 2007 2011	F
	GSF 1250 A (Naked Bandit - ABS)	1250 2007 2010	F
	GSF 1250 S (Faired Bandit - Non ABS)	1250 2007 2010	F
	GSF 1250 SA (Faired Bandit - ABS)	1250 2007 2012	F
	GSF 1250 SA (Faired Bandit - ABS)	1250 2015	F
	GSX 1250 FA	1250 2010	F
	GSX 1250 FA ST (Sport Touring)	1250 2010	F
FDB583	MOTO GUZZI		
	NTX 750	750 1990	F
YAMAHA	RT 180	180 1990 1992	F
	RT 180	180 1993 1994	F
	XT 350	350 1988 1990	F
	XT 350	350 1991	F
	XT 600 4 VALVES	600 1986 1986	F
	XT 600 4 VALVES	600 1987 1989	F
	XT 600 Z TENERE	600 1985 1987	F
	XT 600 Z TENERE	600 1988 1990	F
FDB591	YAMAHA		
	XV 400 VIRAGO	400 1988	F
	XV 535 VIRAGO	535 1987 1994	F
FDB592	CAGIVA		
	ALA AZZURRA 350 GT	350 1987	R
	ELEFANT 350	350 1985	F
	ELEFANT 650	650 1985	F
	DAKAR 750	750 1987	F
	ELEFANT 750	750 1987	F
	ELEFANT 750	750 1988 1989	F
DUCATI	350 INDIANA	350 1987	F
	650 INDIANA	650 1987	F
LAVERDA	OR 600	600 1986	R
	OR 600 ATLAS	600 1987	F
MOTO GUZZI	VT 650 TT BAJA	650 1986	F
MOTO MORINI	WS 350 PRO ACTION	350 1993	F
YAMAHA	DT 125 CHESTERFIELD SCOUT	125 1988	F
	DT 125 LC TENERE	125 1988	F
FDB605	SUZUKI		
	GSX-R 400	400 1990	F
YAMAHA	FZR 250 R	250 1989	F
	FZR 400 RR - SP	400 1991 1992	F
	XP 500 T MAX	500 2008 2011	F
	XP 500 T MAX SV (Tech Max)	500 2011	F
	XP 500 T MAX SV ABS (Tech Max)	500 2011	F
	XP 530 T MAX	530 2012	F
	XP 530 T MAX ABS	530 2012	F
	XP 530 T MAX IRON MAX /ABS	530 2015	F
	FZ6 600 S2 / FZ6 600 FAZER S2 ABS	600 2007 2009	F
	FZS 600 FAZER	600 1999 2003	F
	YZF 600 R THUNDERCAT	600 1996 2003	F
	YZF 600 R6	600 1999 2002	F
	YZF 600 R6	600 2003 2004	F
	YZF 600 R6	600 2005	F
	YZF 600 R6	600 2007	F
	MT-07 (No ABS)	700 2014	F
	MT-07 ABS	700 2014	F
	MT-07 Motocage ABS	700 2015	F
	YZF 750 R7 (OW02)	750 1999 2001	F
	FAZER 8 (NO ABS/ABS)	800 2011	F
	FZ8 ABS	800 2011	F
	FZ8 NO ABS	800 2011	F
	MT-09 (No ABS)	850 2014	F
	MT-09 ABS	850 2014	F
	MT-09 Sport Tracker ABS	850 2015	F
	MT-09 SR ABS	850 2014	F
	MT-09 Tracer ABS	850 2015	F
	TDM 900	900 2002	F
	FZ1 1000 (NO ABS/ABS)	1000 2006	F
	FZ1 1000 Fazer (NO ABS/ ABS)	1000 2006	F



CC FROM TO FRONT / REAR

CC	FROM	TO	FRONT / REAR		
...FDB605	B	FZS 1000 FAZER	1000 2001 2005 F		
		YZF 1000 R1	1000 1998 2001 F		
		YZF 1000 R1	1000 2002 2003 F		
		YZF 1000 R1	1000 2004 2006 F		
		YZF 1000 R1	1000 2015 F		
		YZF 1000 R1M	1000 2015 F		
		YZF 1000 THUNDERACE	1000 1996 2001 F		
		BT 1100 BULLDOG	1100 2002 F		
		XT 1200 Z ABS (Supertenere)	1200 2010 F		
		XT 1200 ZE ABS (Supertenere)	1200 2014 F		
		FJR 1300	1300 2001 2002 F		
		FJR 1300/FJR 1300 A	1300 2003 2005 F		
		XJR 1300	1300 2001 F		
		XJR 1300	1300 2015 F		
		XJR 1300 SP	1300 1999 2001 F		
		XJR1300 Racer	1300 2015 F		
		MT-01 1670	1670 2005 2006 F		
		XV 1700 ROYAL STAR WARRIOR	1700 2002 F		
XV 1900 A Midnight Star	1900 2006 2012 F				
FDB606	HONDA SUZUKI	VTZ 250 XELVIS	250 1992 R		
		DR 650 R-RS-RSE-DJEBEL-DAKAR	650 1991 1995 F		
		DR 750 S BIG	750 1988 F		
		DR 750 S BIG	750 1989 F		
		DR 800 BIG S - SU	800 1990 F		
FDB607	SUZUKI	RG 125 T - FV	125 1992 1996 R		
		RG 125 U WOLF	125 1992 1994 R		
		RG 200 GAMMA	200 1993 1994 R		
		RG 200 WOLF	200 1993 1994 R		
		RGV 250	250 1993 R		
FDB624	APRILIA BETA FANTIC GARELLI KEEWAY KSR MOTO BY GENERIC	RX 50	50 1992 1995 R		
		RX 50	50 1996 1998 R		
		TUAREG 50	50 1987 R		
		KR 50	50 1987 R		
		KR 50 ADVENTURE	50 1987 R		
		OASIS 50 .1	50 1986 R		
		OASIS 50 .1 E.S.	50 1987 R		
		SPORT 125 HP1 (FM.265)	125 1985 F		
		TIGER 125 XLE	125 1986 1986 R		
		TX50	50 2010 2012 R		
Toxic 50	50 2007 2008 R				
Trigger 125 SM	125 2008 2009 R				
Trigger 125 X	125 2008 2009 R				
FDB625	BS VILLA CAGIVA HONDA HSC SYM	ZX 50	50 1993 F		
		CITY 50	50 1992 1994 F		
		GP 50 DIO	50 1991 1995 F		
		SR 50 DIO	50 1990 F		
		SR 50 LIFE DIO	50 1994 F		
		SUPER DIO 50 SR	50 1991 1992 F		
		SUPER DIO 50 ZX	50 1992 F		
		XR 50 DIO BAJA	50 1994 F		
		YUPY 50	50 1992 F		
		ZX 50 LIFE DIO	50 1994 F		
		ZX DIO 50	50 1995 F		
		TUR/ML 125 (Brasil)	125 F		
		STRADA 200 (Brasil)	200 F		
		HSC 01 50	50 1992 F		
		SR 50 DIO	50 1992 F		
		ZR 50	50 1992 F		
		ZX 50 DIO	50 1992 F		
		CITY HOPPER 50	50 1999 2002 F		
		DD 50 CITY TREK	50 2002 F		
		Orbit 50	50 2008 2009 F		
		SUPER FANCY 50	50 1996 2002 F		
		CINDERELLA 50 / 100	100 1999 2000 F		
		Orbit 125	125 2008 2009 F		
		FDB631	BENELLI CAGIVA	Caffe Nero 250 Left	250 2008 2011 F
				CANYON 500	500 1995 R
CANYON 600	600 1996 1997 R				
CANYON 900 I.E.	900 1997 R				
ELEFANT 900 I.E.- GT - AC	900 1991 R				
GRAN CANYON 900	900 1999 R				
ELEFANT 906	906 1990 R				



CC FROM TO FRONT / REAR

CC	FROM	TO	FRONT / REAR
CFMOTO	B	NAVIGATOR / NAVIGATOR T	1000 2000 2005 R
		NAVIGATOR 1000	1000 2001 R
		CF 500(Terracross) Left	500 2011 2012 F
		CF 500-3 (Rancher 500 Side x Side) Left	500 2010 2012 F
		CF 625-3 (Z6 Terracross) Left	625 2011 2012 F
		250 XS	250 2006 R
		ROADWIN 125	125 2004 R
		CXL 150 Yukon II/Challenger	150 2002 2009 R
		RXL 150 Viper	150 2005 2006 R
		RXL 150 Viper R	150 2005 2009 R
		NSR 50	50 1994 2000 F
		NSR 80 R	80 1993 1998 F
		SUPRA 100	100 1999 F
		VT 125 SHADOW	125 1999 F
		XL 125 VARADERO	125 2001 F
		NSR 150	150 2001 2003 F
		TA 200	200 2003 2004 F/R
		HYOSUNG	B
MS3 125	125 2006 F/R		
MS3 250	250 2006 F/R		
YY 125	125 2008 2009 F/R		
YY 150	150 2008 2009 F/R		
YY 250/250 A	250 2008 2009 F/R		
KAZER 115 R	115 1998 1999 F		
BN 125 A3/A4 ELIMINATOR	125 2000 F		
NINJA 250R (EX250K)	250 2008 2012 F/R		
NINJA 250SL (BX250A)	250 2015 F/R		
KAWASAKI	B	Z250SL (BR250E)	250 2015 F/R
		NINJA 300 (EX300A)	300 2013 F/R
		Z300	300 2015 F/R
		KLR 650	650 2008 R
		KLF 300 BAYOU 4x4 C Series (right)	300 1989 2004 F
		KLF 400 BAYOU 4x4 B Series (right)	400 1993 1999 F
		KVF 650 Brute Force 4X4i All models (Right)	650 2007 2008 F
		KRF 750 Terx 4x4 All mod.(Right)-side by side	750 2008 F
		KVF 750 BRUTE FORCE All Models (right)	750 2005 2010 F
		250 Blackster	250 2014 R
KAWASAKI ATV	A	LIKE LX 125 4T	125 2010 R
		LIKE LX 200 i	200 2010 R
		PEOPLE 250 S (Right side)	250 2006 2008 F
		PEOPLE S300i Left	300 2008 2010 R
		PEOPLE S300i Right	300 2008 2010 F
		KRISS 115	115 1999 F
		RS 6 4WD Right	600 2010 2011 F
		AN 250 8 Skywave SS Right	250 2008 F
		AN 250 Skywave Type M (BA-CJ45A) Right	250 2007 2008 F
		AN 250 Skywave Type S (BA-CJ44A) Right	250 2007 2008 F
SUZUKI	B	AN 400 BURGMAN/SKYWAVE ABS (right)	400 2007 F
		AN 400 BURGMAN/SKYWAVE NO ABS (right)	400 2007 F
		DR 800 BIG all models	800 1991 R
		LT-F 300 KING QUAD (right)	300 2002 F
		LT-R 450 K/Z (right)	450 2006 F
		LT-A 500 F QUADMASTER (right)	500 2000 2001 F
		LT-F 500 FW/FX/F1 QUADRUNNER (right)	500 1998 2002 F
		LT-A 700 KING QUAD (right)	700 2008 F
		DAYTONA 750 SPORT	750 1991 1992 R
		TRIDENT 750 (left)	750 1992 1998 R
SUZUKI ATV	B	TRIDENT 750 (right)	750 1992 1998 F
		DAYTONA 900	900 1993 1996 R
		DAYTONA SPRINT 900	900 1994 1998 R
		DAYTONA SPRINT 900 (left)	900 1993 R
		DAYTONA SPRINT 900 (right)	900 1993 F
		DAYTONA SUPER III 900	900 1994 1997 R
		SPEED TRIPLE 900	900 1994 R
		TIGER 900 (left)	900 1993 1998 R
		TIGER 900 (right)	900 1993 1998 F
		TRIDENT 900 SPRINTER (left)	900 1993 1998 R
TRIUMPH	B	TRIDENT 900 SPRINTER (right)	900 1993 1998 F
		TROPHY 900	900 1996 1998 R
		TROPHY 900 (left)	900 1993 1995 R
		TROPHY 900 (right)	900 1993 1995 F
		SPRINT RS 955 double sided swing arm	955 1999 2002 R
		DAYTONA 1000 SPORT	1000 1991 1992 R
		TIGER SE ABS 1050	1050 2008 R
		TIGER SPORT	1050 2013 R
		DAYTONA 1200	1200 1993 1998 R
		TROPHY 1200	1200 1996 2001 R
SUZUKI	B	TROPHY 1200 (left)	1200 1993 1995 R

B = Bike
A = ATV
S = Snowmobile

B = Bike
A = ATV
S = Snowmobile



			CC	FROM	TO	FRONT / REAR		
...FDB631	YAMAHA	B	TROPHY 1200 (right)	1200	1993	1995	F	
		B	FZR 50	50	1990	1991	F	
		B	TZR 50	50	1997	2003	F	
		B	XTZ 750 SUPER TENERE (right)	750	1989		F/R	
		YAMAHA ATV	A	YZF 450 (right)	450	2004	2005	F
			A	YZF 450 (right) - All models	450	2006		F
			A	YXR 450 RHINO (right) - side by side	450	2004	2009	F
			A	YXR 660 RHINO (right) - side by side	660	2004	2007	F
			A	YFM 700 RAPTOR (right) - All Models	700	2006		F
			A	YXR 700 RHINO (left) - side by side	700	2008		F/R
FDB636	ADLY	B	Jet 50	50	1996		F	
		B	Pista 50	50	1996		F	
	BETA	B	Predator 50	50	2000		F	
		B	Jet 100	100	1996		F	
	BS VILLA	B	Predator 100	100	2000		F	
		B	R-125 (Pit Bike) / R125 Minimoto 4T	125	2008		F	
	FANTIC	B	AX 50	50	1993		F	
		B	GZ 50	50	1993		F	
		B	BIG WEEL 50	50	1994		F	
		B	GRINTA 50	50	1995		F	
	GARELLI	B	LEADER 50	50	1995		F	
		B	PONY 50 SR	50	1993		F	
		B	QUEENIE 50	50	1995		F	
		B	BIG WHEEL 50	50	1993	1994	F	
	ITALJET	B	BIP RACING 50	50	1994		F	
		B	GRINTA	50	1995		F	
		B	PONY 50 SR	50	1992	1995	F	
		B	QUEENIE	50	1995		F	
	MALAGUTI	B	BAZOOKA 2 50	50	1992	1997	F	
		B	CRUISE 50	50	1995	1998	F	
		B	PISTA 2 50	50	1992	1996	F	
		B	SCOOPE 50	50	1993		F	
	MBK	B	YANKEE 8 50	50	1994		F	
		B	BLOG 125	125	2008		R	
	PEUGEOT	B	BLOG 160	160	2008		R	
		B	TARGET 50	50	1992		F	
	PGO	B	BOOSTER 100	100	2000	2002	F	
		B	V-Clic 50 (4T)	50	2008	2011	F	
	SINNIS	B	BIG MAX 50	50	1995	2004	F	
		B	EPS	50	1997		F	
	YAMAHA	B	Tomado 50	50	1997		F	
		B	Tomado 125	125	1997		F	
	YAMAHA	B	QM 50 QT-2T Falcon	50	2008	2010	F	
		B	QM 50 QT-6A Jet 50	50	2008	2010	F	
	YAMAHA	B	50 AXIS	50	1993		F	
		B	50 AXIS PROFOOT	50	1994		F	
		B	50 TRUNK	50	1994		F	
		B	CR 50 TARGET	50	1991		F	
		B	CR 50 Z	50	1992		F	
		B	JOG 50 (España)	50	1988		F	
		B	JOG 50 (Italia)	50	1993		F	
		B	RS 50 CHAMP	50	1988		F	
		B	TZM 50 R	50	1994		F	
		B	TZR 50	50	1990	1996	F	
		B	TZR 80	80	1992		F	
		B	90 AXIS (Brasil)	90			F	
		B	CR 90 TARGET	90	1991		F	
		B	JOG 90	90	1990	1994	F	
	B	JOG 90 (Brasil)	90			F		
	B	BW S 100	100	2000	2002	F		
FDB637	YAMAHA	B	FZR 600 R	600	1991	1995	F	
		B	FZR 1000 EX-UP	1000	1991	1993	F	
FDB659	CANNONDALE	B	MX 400	400	2000	2002	R	
		B	440 (All Enduro / MX Models)	440	2003		R	
	KAWASAKI	B	S 440 SUPERMOTO	440	2003		R	
		B	KDX 125 A1	125	1990	1994	R	
		B	KX 125	125	1989	1994	R	
		B	KX 125 K2-K4	125	1995		R	
		B	KDX 200 E1	200	1989		R	
		B	KDX 200 E6 / H1 - H3	200	1994	2003	R	
		B	KDX 200 SR	200	1990	1993	R	
		B	KDX 220 RA4	220	1997	2003	R	
		B	KDX 250 SR-D	250	1991	1993	R	
		B	KLX 250	250	1993		R	
		B	KLX 250	250	1995	1997	R	
		B	KX 250	250	1989	1994	R	
		B	KX 250	250	1994	1995	R	
		B	KR 500 ES	500	1993		R	



			CC	FROM	TO	FRONT / REAR		
	SUZUKI	B	KX 500	500	1989	1994	R	
		B	KX 500	500	1994	1995	R	
		B	KLX 600 R	600	1993		R	
		B	KLX 650 R	650	1993	1997	R	
		B	RM 125 K - L - M	125	1989	1995	R	
		B	TS 125 RK	125	1989		R	
		B	TS 200 R	200	1990	1994	R	
		B	DJEBEL 250	250	1993		R	
		B	DR 250 S	250	1990	2000	R	
		B	RM 250	250	1991	1992	R	
		B	RM 250 K - L - M	250	1989	1994	R	
		B	RM 250 R-S	250	1993	1995	R	
		B	RMX 250	250	2000	2002	R	
		B	RMX 250 RP	250	1989	1995	R	
		B	RMX 250 TV	250	1996	1998	R	
		B	DR 350	350	1990		R	
		B	DR 350 S-SH-SE	350	1993	1997	R	
		B	FZR 50	50	1992		R	
		B	WR 125	125	1990		R	
		B	WR 125	125	1991	1992	R	
		B	YZ 125 all models	125	1990	1997	R	
		B	DT 200 WR	200	1991		R	
		B	WR 200 B	200	1991	1994	R	
		B	SEROW 225 XT	225	1993	1995	R	
	B	SEROW 250 (3C51/52)	250	2005		R		
	B	TT 250 R	250	1993	1999	R		
	B	TY 250 Z SCOTTISH	250	1996		R		
	B	WR 250 (Z 2T)	250	1991	1997	R		
	B	XG 250 TRICKER (5XT1)	250	2004	2006	R		
	B	XT 250 X	250	2006	2008	R		
	B	YZ 250	250	1990	1997	R		
	B	YZ 250 A - B	250	1990	1992	R		
	B	WR 400 F	400	1998		R		
	B	WR 500 ZD - ZE	500	1992	1993	R		
	B	TT 600	600	1993		R		
	B	TT 600 R (SPORTKIT)	600	1994	1997	R		
FDB661	HONDA	B	CR 80 R	80	2007		F	
		B	CR 85 R/RB	85	2008	2007	F	
	HUSQVARNA	B	CRF 150 RB	150	2003		F	
		B	125 ALL MODELS 1993	125	1993		R	
	KAWASAKI	B	250 ALL MODELS 1993	250	1993		R	
		B	KX 80 S1 - V1	80	1992		F	
	KAWASAKI ATV	A	KSF 250 A8 - A9	250	1994	1995	R	
		B	RM 125 J	125	1988		R	
	SUZUKI	B	TS 240 X	240	1988	1990	F	
		B	RM 250 H	250	1987	1988	R	
	SUZUKI ATV	B	RM 500	500	1987		R	
		B	DR 800 Z	800	1988	1989	R	
	TM	A	LT 230 S QUADSPORT	230	1985	1988	R	
		B	80 Minicross/Junior	80	1996	2000	R	
	YAMAHA	B	85 Minicross/Junior	85	1996	2000	R	
		B	YZ 80	80	1993	2001	R	
		B	YZ 85 LW	85	2002		R	
		B	YZ 125	125	1989		R	
	YAMAHA	B	YZ 250	250	1989		R	
		B	YZ 360	360	1989		R	
FDB662		YAMAHA	B	FZR 750 GENESIS	750	1987		F
			B	TDM 850	850	1996	2001	F
	B		XJ 900 F DIVERSION	900	1995		F	
	B		FJ 1200	1200	1988	1989	F	
	B		FJ 1200 ABS	1200	1991	1995	F	
	B		XJR 1200	1200	1994		F	
	B	XVZ 1300 AH/ATH ROYAL STAR	1300	1996	2001	F		
FDB663	CAGIVA	B	CANYON 600	600	1996	1997	F	
		B	ELEFANT 750	750	1994		F	
		B	CANYON 900 I.E.	900	1997		F	
		B	ELEFANT 900 I.E. - GT - AC	900	1991		F	
		B	ELEFANT 906	906	1990		F	
		B	CB 125 TT	125	1990		F	
		B	CD 250	250	1988	1992	F	
		B	NV 400 CUSTOM	400	1988		F	
		B	NX 500 DOMINATOR	500	1988	1996	F	
		B	NV 600 C	600	1988		F	
		B	VLX 600 SHADOW	600	1988	1991	F	
		B	VT 600 C SHADOW	600	1988	1993	F	
		B	XL 600 V TRANSALP	600	1991	1993	F	
		B	NX 650 DOMINATOR J - K	650	1988	1992	F	
		B	XRV 650 AFRICA TWIN	650	1988	1989	F	



CC FROM TO FRONT / REAR

CC	FROM	TO	FRONT / REAR
...FDB663	B	CBR 750 F HURRICANE	750 1987 1988 F
	B	CBR 750 SUPER AERO	750 1988 1989 F
	B	VFR 750 F INTERCEPTOR	750 1986 1987 F
	B	GL 1500 GOLD-ASPENCADE	1500 1992 F
	B	GL 1500 SE GOLD WING	1500 1993 2000 F
	B	GL 1520 / 6 GOLD WING	1500 1988 1991 F
FDB664	BMW	C 600 GT Special Edition	600 2015 R
	B	C 600 SPORT	600 2012 R
		C 600 SPORT Highline	600 2013 R
		C 600 SPORT Special Edition	600 2015 R
	B	C 650 GT	650 2012 R
		C 650 GT Highline	650 2013 R
	BUELL	B Blast 500	500 2000 2007 F
	CAGIVA	B 900 CAT	900 1993 R
		B NAVIGATOR 1000	1000 2001 F
	DAELIM	B ROADWIN 125	125 2004 F
		B ROCKET 125	125 1999 2001 F
		B VL 125 DAYSTAR	125 2003 F
		B VS 125 CUSTOM	125 2001 F
		B VT 125 MAGNA	125 1997 F
	HONDA	NSS 125 FORZA	125 2015 F
		B VTR 250 (MC33)	250 1998 2009 F
		B CBR300R	300 2014 F
		B SILVERWING 400	400 2006 R
		B SW-T 400	400 2009 R
		B CB 500 F Twin	500 2013 F
		B CBF 500	500 2004 F
		B CBF 600 S/ABS	600 2011 F
		B CBR 600 F / ABS	600 2011 F
		B CBR 600 F3	600 1995 1998 F
		B SILVER WING 600	600 2001 R
		B CB650F	650 2014 F
		B CBR650F	650 2014 F
		B FMX 650	650 2005 2006 F
		B FMX 650	650 2007 F
		B CTX700	700 2014 F
		B CTX700N	700 2014 F
		B NC 700 S,X (manual gearbox - No ABS)	700 2012 F
		B 750 BLACK WIDOW	750 2001 F
		B CB 750 NIGHTHAWK	750 1991 F
		NC 750 INTEGRA DCT (NC750DE)	750 2014 F
		B NC750S (RC70)	750 2014 F
		B NC750X (RC72)	750 2014 F
		B VFR 750 F	750 1990 1993 R
		B VFR 750 F	750 1994 1997 R
		B VFR 750 F INTERCEPTOR	750 1988 1989 F/R
		B VT 750 AMERICAN CLASSIC EDITION	750 1998 1998 F
		B VT 750 C SHADOW	750 1997 2009 F
		B VT 750 C2 SHADOW BLACK SPIRIT	750 2010 F
		B VT 750 DC Black Widow	750 2001 2004 F
		B VT 750 DC Shadow Spirit	750 2007 2009 F
		B VT 750 S	750 2010 2012 F
		B VFR 950 F CARAT	950 1992 R
		B CB 1000 SUPERFOUR (BIG FOUR)	1000 1992 R
		B VT 1300 CX	1300 2010 F
	INDIAN	B Chief Classic (Spoke Wheel/Nissin calipers)	2014 2015 R
		B Chief Vintage (Spoke Wheel/Nissin calipers)	2014 2015 R
		B Chieftain (Cast Wheel/Nissin calipers)	2014 2015 R
	KYMCO	B VENOX 250	250 2000 F
	TRIUMPH	B BONNEVILLE 800 / T100	100 2001 F
		B BONNEVILLE T100 SE	865 2012 F
		B AMERICA 865	865 2007 F
		B AMERICA 865 (12 Spoke Cast wheel)	865 2010 F
		B BONNEVILLE California Street Racer 865	865 2008 F
		B BONNEVILLE Newchurch	865 2015 F
		B BONNEVILLE Spirit	865 2015 F
		B BONNEVILLE T100 865	865 2005 F
		B BONNEVILLE T100 BLACK	865 2012 F
		B BONNEVILLE T214	865 2015 F
		B SCRAMBLER 865	865 2006 F
		B SPEEDMASTER	865 2010 F
		B SCRAMBLER 900	900 2010 F
		B THRUXTON 900	900 2008 F
		B THRUXTON 900 ACE	900 2015 F
		B SPEEDMASTER	1000 2012 F
		B TIGER XC	1050 2011 F
	VICTORY	B Arlen Ness Victory Vision	2010 2012 R
		B Broadwalk	2013 2015 R



CC FROM TO FRONT / REAR

CC	FROM	TO	FRONT / REAR
	B	Cory Ness Cross Country	2011 2012 R
	B	Cory Ness Jackpot	2008 2010 R
	B	Cross Country	2010 2014 R
	B	Cross Country 8-Ball	2015 R
	B	Cross Country Tour	2012 2015 R
	B	Cross Roads	2010 2012 R
	B	Cross Roads 8 - Ball (Cast Wheel)	2014 R
	B	Cross Roads Classic (Spoke Wheel)	2013 2014 R
	B	Cross Touring	2013 2014 R
	B	Gunner	2015 R
	B	Hammer	2008 2011 R
	B	Hammer 8 Ball	2010 2015 R
	B	Hammer S	2008 2015 R
	B	Hard Ball	2012 2013 R
	B	Highball (Cast & Spoke Wheel)	2012 2015 R
	B	Jackpot	2010 2014 R
	B	Judge	2013 2015 R
	B	King Pin	2008 2012 R
	B	Kingpin 8-Ball	2008 2011 R
	B	Kingpin Tour	2008 2009 R
	B	Kingpin-Low	2009 R
	B	Magnum	2015 R
	B	Vegas	2008 2012 R
	B	Vegas 8-Ball	2008 2015 R
	B	Vegas Jackpot	2008 2009 R
	B	Vegas Low	2008 2009 R
	B	Vision 8 Ball	2010 2011 R
	B	Vision Street	2008 2009 R
	B	Vision Tour (All models)	2008 2015 R
	B	Zach Ness Vegas	2008 2012 R
	YAMAHA	B WR 125 R	125 2009 2013 F
	B	WR 125 X (Supernote)	125 2009 F
	B	X-CITY 125	125 2008 F
		YP 125 MAJESTY S	125 2015 F
		YP 125 R X-MAX (Nissin Front) NO ABS	125 2010 2013 F
		YP 125 R X-MAX (Nissin Front) NO ABS	125 2014 F
		YP 125 RA X-MAX (Nissin Front) (39D2) ABS	125 2011 F
	B	X-CITY 250	250 2008 F
	B	YP 250 R X-MAX (Nissin Front Caliper) NO ABS	250 2010 2013 F
		YP 250 R X-MAX (Nissin Front Caliper) NO ABS	250 2014 F
		YP 250 RA X-MAX (Nissin Front Caliper) ABS	250 2011 F
		YP 250 X-MAX MOMODESIGN	250 2015 F
		YP 400 R X-MAX ABS	400 2013 F
		YP 400 R X-MAX no ABS	400 2013 F
FDB665	HONDA	B NV 400 CUSTOM	400 1988 R
		B CBR 500	500 1987 1990 R
		B VF 500 FE - F2E	500 1984 R
		B VF 500 FF - F2F	500 1984 R
		B CBR 600 F/R HURRICANE	600 1987 1990 R
		B CBX 750 FE	750 1983 1984 R
		B VF 750 F-FD-FE-MAGNA-SABRE-INT	750 1982 R
		B VFR 750 F INTERCEPTOR	750 1986 1987 R
		B VF 1000 - 2	1000 1984 1986 R
		B VF 1000 BOL D'OR	1000 1984 1986 R
		B VF 1000 F - FE	1000 1984 1986 R
		B GL 1520	1500 1988 1989 F
		B GL 1520 / 6 GOLD WING	1500 1988 1991 R
FDB666	YAMAHA	B SRX 400	400 1990 1996 F
		B FZR 600 R	600 1990 F
		B FZR 1000 R - EX-UP	1000 1989 1990 F
		B YMX 1200 12N V - MAX	1200 1993 2003 F
FDB672	HERCULES (SACHS)	B SAMBA SR 80	80 1993 F
		B SAMBA SR 125	125 1993 F
	HONDA	B NH 50 LEAD	50 1994 F
		B YUPY 90 (NH 90)	90 1990 F
	KYMCO	B COBRA 50 / RACER & CROSS	50 1999 2006 F
		B CURIO 50	50 1994 F
		B CX 50 SUPER	50 1994 1997 F
		B K 12 50	50 1995 F
		B KB 50	50 1994 2000 F
		B SCOUT 50	50 1998 F
		B SNIPER 50 DD	50 1994 1996 F
		B TOP BOY 50	50 2000 F
		B ZK 50 SUPERFEVER	50 1999 F
		B ZX 50 FEVER	50 1995 F
	PEUGEOT	B SV 50 GEO (all models)	50 1993 F
		B SV 125 GEO	125 1993 F
FDB673	APRILIA	B TUAREG 125 RALLY	125 1991 F

B = Bike
A = ATV
S = Snowmobile

B = Bike
A = ATV
S = Snowmobile



CC FROM TO FRONT / REAR

...		
FDB673	SUZUKI	B	DR 250 S	250	1985		F				
		B	DR 500 S	500	1989		F				
		B	DR 600 DJEBEL - DAKAR	600	1989		F				
		B	DR 600 R DAKAR-DJEBEL	600	1987	1988	F				
		B	DR 600 S	600	1989		F				
		B	DR 600 S - SU	600	1985	1986	F				
		B	SP 600	600	1985		F				
		B	DR 650 RS-R DAKAR	650	1990		F				
		B	LS 650 P	650	1993		F				
		B	VS 800 S INTRUDER	800	1991	1992	F				
FDB677	AJP	B	PR3 125 Enduro	125	2008	2011	F				
		B	PR3 125 Enduro Pro	125	2008	2011	F				
		B	PR3 125 Supermoto	125	2008	2011	F				
		B	PR3 125 Supermoto Pro	125	2010	2011	F				
		B	PR4 Enduro 125	125	2010	2011	F				
		B	PR4 Enduro Pro 125	125	2010	2011	F				
		B	PR4 Supermoto 125	125	2010	2011	F				
		B	PR4 Supermoto Pro 125	125	2010	2011	F				
		B	PR3 200 Enduro	200	2008	2011	F				
		B	PR3 200 Enduro Pro	200	2010	2011	F				
APRILIA	APRILIA	B	PR3 200 M/X	200	2010	2011	F				
		B	PR3 200 M/X Pro	200	2010	2011	F				
		B	PR3 200 Supermotard Pro	200	2010	2011	F				
		B	PR3 200 Supermoto	200	2008	2011	F				
		B	PR4 200 Supermoto	200	2010	2011	F				
		B	PR4 200 Supermoto Pro	200	2010	2011	F				
		B	PR4 Enduro 200	200	2010	2011	F				
		B	PR4 Enduro Pro 200	200	2010	2011	F				
		B	CLASSIC 50	50	1992		F				
		B	MX 50	50	2003		F				
BENELLI	BENELLI	B	RS 50	50	1999	2005	F				
		B	RX 50	50	1992	1995	F				
		B	RX 50 RACING	50	2004		F				
		B	SX 50	50	2007		F				
		B	SX 50	50	2008		F				
		B	TUONO 50	50	2004	2006	F				
		B	ETX 125	125	1998		F				
		B	PEGASO 125 KAT	125	1994		F				
		B	RX 125	125	1992	1994	F				
		B	Velvet 125 (13" Front Wheel/Touring)	125	2008	2012	F				
BETA	BETA	B	Velvet 150 (13" Front Wheel/Touring)	150	2008	2012	F				
		B	VELVET 250	250	1999		F				
		B	RR 50 Enduro	50	2004	2007	F				
		B	RR 50 Enduro	50	2008	2012	F				
		B	RR 50 Enduro Factory	50	2012		F				
		B	RR 50 Enduro Racing	50	2009	2011	F				
		B	RR 50 Motard (Spoke Wheel)	50	2009	2012	F				
		B	RR 50 Motard Skull	50	2011		F				
		B	RR 50 Standard	50	2005	2008	F				
		B	RR Motard 50 Track (Cast Wheels)	50	2008	2012	F				
CPI	CPI	B	ALP 125 4T	125	2005	2012	F				
		B	RE 125 4T Enduro	125	2009	2010	F				
		B	RR 125 4T Enduro (A/C)	125	2009	2011	F				
		B	RR 125 4T Enduro (L/C)	125	2011		F				
		B	RR 125 4T Motard (A/C - Spoke Wheel)	125	2008	2012	F				
		B	RR 125 4T Motard (L/C - Cast Wheel)	125	2011	2012	F				
		B	Urban 125	125	2008	2012	F				
		B	Urban 125 Special	125	2009	2012	F				
		B	ALP 200 4T	200	2005	2012	F				
		B	URBAN 200	200	2008	2012	F				
DERBI	DERBI	B	Urban 200 Special	200	2009	2012	F				
		B	ALP 4.0 350	350	2004		F				
		B	ALP 4.0 350 4T	350	2005	2012	F				
		B	GTS 50 / 125 / 200	125	2002	2003	F				
		B	GP1 50 OPEN	50	2007		F				
		B	SENDA DRD RACING R 50	50	2005		F				
		B	Cross City 125	125	2007	2008	F				
		B	SENDA 125 R 4T	125	2005		F				
		B	SENDA BAJA 125 SM	125	2008		F				
		B	PAMPERA 250	250	2002		F				
GASGAS	GASGAS	B	DNA 50	50	2001		F				
		B	RUNNER 125	125	2000		F				
		B	RUNNER 125 FX - SP	125	2000		F				
		B	RUNNER 125 VX 4T	125	2001		F				
		B	RUNNER 180	180	2000		F				
		B	RUNNER 180 FXR - SP	180	1999		F				
		B	RUNNER 180 VXR 4T	180	2001		F				
		B	RUNNER 200 VXR	200	2004		F				
		GILERA	GILERA	B	RUNNER 125	125	2000		F		
				B	RUNNER 125 FX - SP	125	2000		F		
B	RUNNER 125 VX 4T			125	2001		F				
B	RUNNER 180			180	2000		F				
B	RUNNER 180 FXR - SP			180	1999		F				
B	RUNNER 180 VXR 4T			180	2001		F				
B	RUNNER 200 VXR			200	2004		F				



CC FROM TO FRONT / REAR

...
HONDA	HONDA	B	HM 50 CRE	50	2006		F		
		B	HONDA-HM ITALIA	50			F		
		B	CRE 50 (from frame nr.2819)	50			F		
		B	TX50	50	2010	2012	F		
		B	X-Ray 50 Supermoto	50	2007	2009	F		
		B	TX 125 SM (17" F/Wheel)	125	2013		F		
		B	TX125	125	2010	2012	F		
		B	TX200 (19" F/Wheel)	200	2013		F		
		B	Toxic 50	50	2007	2008	F		
		B	Trigger 125 SM	125	2008	2009	F		
KSR MOTO BY GENERIC	KSR MOTO BY GENERIC	B	Trigger 125 X	125	2008	2009	F		
		B	XSM 50 SUPERMOTARD	50	2003		F		
		B	MADISON 125	125	1999	2003	F		
		B	MADISON 3 - 125	125	2006		F		
		B	PHANTOM MAX 125	125	2004		F		
		B	X3M Motard 125	125	2008		F		
		B	MADISON 150	150	1999	2003	F		
		B	MADISON 180	180	1999	2003	F		
		B	MADISON S 200	200	2004		F		
		B	PHANTOM MAX 200	200	2004		F		
MALAGUTI	MALAGUTI	B	MADISON 3 250 RS	250	2004		F		
		B	PASSWORD 250	250	2005		F		
		B	PHANTOM MAX 250	250	2006		F		
		B	ELYSEO 125	125	2003		F		
		B	Elystar 125 (5 bolt fixing front disc)	125	2006	2007	F		
		B	Geopolis 125 (AJP Caliper/ABS)	125	2007	2012	F		
		B	Geopolis 125 Executive (AJP Caliper/Non ABS)	125	2007	2012	F		
		B	Geopolis 125 Urban (AJP Caliper/ ABS)	125	2007	2012	F		
		B	SATELIS 125	125	2006		F		
		B	Satelis 125 4V Executive/Premium/City	125	2006	2009	F		
PEUGEOT	PEUGEOT	B	Satelis 125 Blacksat (AJP Calipers)	125	2010	2011	F		
		B	Satelis 125 Compressor (4T)	125	2006	2011	F		
		B	Satelis 125 RS (AJP Caliper)	125	2007	2011	F		
		B	Satelis 125 Urban (AJP Caliper/ABS)	125	2007	2011	F		
		B	Satelis 125 Whitesat (AJP Calipers)	125	2010	2011	F		
		B	ELYSEO 150	150	2011		F		
		B	Elystar 150 (5 bolt fixing front disc)	150	2006	2007	F		
		B	Geopolis 250 Executive (AJP caliper/ Non ABS)	250	2007	2011	F		
		B	Geopolis 250 Urban (AJP caliper/ ABS)	250	2007	2011	F		
		B	Satelis 250 Urban (AJP Caliper/ABS)	250	2007	2012	F		
PIAGGIO	PIAGGIO	B	Geopolis 400 Urban (AJP Caliper/ ABS)	400	2007	2012	F		
		B	BEVERLY 125 (Grimeca caliper)	125	2001		F/R		
		B	DNA 125	125	2000	2003	F		
		B	HEXAGON 125 LX	125	1998	1999	F		
		B	SKIPPER 125 ST 4T	125	1998	1999	F		
		B	SKIPPER ST 125 (Grimeca caliper)	125	2000		F		
		B	VESPA GRANTURISMO 125 (Grimeca caliper)	125	2003		F		
		B	SKIPPER 150 ST 4T	150	1998	1999	F		
		B	SKIPPER ST 150 (Grimeca caliper)	150	2000		F		
		B	DNA 180	180	2001	2002	F		
RIEJU	RIEJU	B	HEXAGON 180 LX	180	1998	1999	F		
		B	SUPER HEXAGON 180 GTX	180	2000		F		
		B	BEVERLY 200 (Grimeca caliper)	200	2001		F/R		
		B	VESPA GRANTURISMO 200 (Grimeca caliper)	200	2003		F		
		B	BEVERLY 250 (Grimeca caliper)	250	2002	2006	F/R		
		B	HEXAGON 250	250	1998	1999	F		
		B	SUPER HEXAGON 250 GTX	250	2001	2002	F		
		B	MRX 50 PRO / TOP	50	2004	2008	F		
		B	RS2 NKD	50	2005		F		
		B	SMX 50 PRO	50	2004		F		
SACHS	SACHS	B	RS2 125 / PRO	125	2009		F		
		B	ZX 125	125	2001		F		
		B	Enduro 50c (2T)/Urban/SU - Spoke wheel models)	50	2008	2013	F		
		B	SM 0.5cc Black Panther	50	2008	2010	F		
		B	Supermotard 50cc (2T)	50	2008	2013	F		
		B	City Corp 125 (All models)	125	2008		F		
		B	SE 1.25 F Enduro (4T)	125	2010	2012	F		
		B	SM 1.25 i F Black Panther (4T)	125	2010	2012	F		
		B	DT 50 R SM	50	2004		F		
		B	DT 50 X	50	2008		F		
SHERCO	SHERCO	B	TZR 50 /Race Replica 07	50	2004		F		
		B	XT 125 X	125	2008		F		
		B	AMICO 50 all models	50	1992		F		
		B	AREA 51 50	50	1998		F/R		
		B	GULLIVER 50	50	1995	1998	F		
		B	HABANA 50 all models	50	1998		F		
		B	MOJITO CUSTOM 50	50	1999	2003	F		
		B	MOJITO CUSTOM 50	50	2004	2012	F		
		B	RALLY 50 air cooled	50	1995	2002	F		
		B	FDB680 APRILIA	50	2004		F		



CC FROM TO FRONT / REAR

...FDB680

CC	FROM	TO	FRONT / REAR
B	RALLY 50 liquid cooled	50 1996 2000	F/R
B	SCARABEO 50 / 50 Street 4T-2T	50 1996	F
B	SCARABEO 50 DELUXE	50 1998	F/R
B	SONIC 50 GP	50 1997	F
B	SONIC 50 SPICE	50 1997	F
B	SR 50 2000	50 2000	F
B	SR 50 FACTORY	50 2004	F
B	SR 50 STEALTH - RACING	50 1997 1999	F/R
B	SR 50 WWW - NETSCAPER	50 1997 2001	F/R
B	SCARABEO 70	70 1994	F
B	LEONARDO 125	125 1995 1996	R
B	LEONARDO 125	125 1997 1998	R
B	MOJITO CUSTOM 125	125 2004	F
B	SR STREET 50	125 2003	F
B	LEONARDO 150	150 1997 1998	R
B	RS 250	250 1997	R
B	BYTE 50	50 1996	F
B	CAROSSELLO 50	50 1997	F
B	HACKER 50	50 1996	F
B	HACKER 50	50 2000	F
B	SCHEGGIA 50	50 1998	F
B	491 50 GT	50 1997	F
B	491 50 SPORT - RACING	50 1997	F/R
B	K2 50 all models	50 1998 2001	F
B	NAKED 50	50 1998	F
B	Pepe 50 (5 Spoke Cast Wheel/2T/4T)	50 2010 2012	F
B	PEPE 50/50 LX/Classic (7 Spoke Cast Wheel)	50 1999 2013	F
B	K2 100 BIPOSTO	100 1999	F
B	666 125	125 1998	R
B	ADIVA 125	125 1999	F
B	VELVET 125	125 1999 2008	F/R
B	ADIVA 150	150 1999	F
B	VELVET 150	150 1999 2008	F/R
B	ARK 50 all models	50 1996	F/R
B	CH 50	50 1996	F
B	CHRONO 50 13	50 1994	F
B	CHRONO 50 502	50 1997	F
B	QUADRA 50	50 1995	F
B	NUVOLA 50	50 2000	F
B	NUVOLA 125	125 2000	F
B	RUNNER 50 2T Blacksoul	50 2011	R
B	EASY MOVING 50	50 1995 1996	F
B	ICE 50	50 2001 2003	F
B	NRG 50	50 1995 2003	F
B	RUNNER 50	50 1997 1998	F
B	RUNNER 50 SP / SKP	50 1999 2005	F
B	STALKER 50	50 1997	F
B	STORM 50	50 1994 1995	F
B	TYPHOON 50	50 1993 1995	F
B	TYPHOON 50	50 1996	F
B	TYPHOON 80	80 1995	F
B	TYPHOON 125	125 1995	F
B	TYPHOON 125 XR KAT	125 2000	F
B	GIPSY 50	50 1993	F
B	SFX 50	50 1995	F
B	SH 50 SCOOPY / FIFTY	50 1997 2003	F
B	SKY 50	50 1997	F
B	SKY 50 VETRO	50 2000	F
B	SXR 50	50 1997 1999	F
B	X8R 50 S	50 1998	F
B	X8R 50 X	50 1998	F
B	SH 100 Scoopy	100 1996 2001	F
B	GRAND PRIX 125	125 1998	F
B	HYPER 125	125 1999	F
B	GRAND PRIX 150	150 1998	F
B	FORMULA 50	50 1994 1996	R
B	FORMULA 80	80 1994	R
B	FORMULA 125	125 1994 1996	R
B	Goccia 50 (2T/4T)	50 2008	F
B	Onyx 50 (2T/All Models)	50 2010 2012	F
B	KROSS 50	50 1996	F
B	50 FLASH	50 1999	F
B	CIAK 50 / CIAK Master 4T 50	50 1999	F
B	F 10 50 JETLINE /F10 WAP JETLINE	50 1994	F
B	F 12 50 PHANTOM (liquid cooled)	50 1999	R
B	F 12 50 PHANTOM Twin disk	50 1998	F/R
B	F 15 50 FIREFOX Twin disk	50 1998	R
B	F12 R 50 PHANTOM (all air cooled models)	50 2007 2011	F



CC FROM TO FRONT / REAR

CC	FROM	TO	FRONT / REAR
B	F12 R 50 PHANTOM (all liquid cooled models)	50 2007 2011	F/R
B	YESTERDAY 50	50 1998	F
B	CIAK 100	100 1999 2003	F/R
B	F 12 100 PHANTOM	100 1999 2003	F/R
B	F 18 WARRIOR 125	125 2001 2003	F/R
B	F 18 WARRIOR 150	150 2001 2003	F/R
B	FLIPPER 50	50 1998	F
B	STUNT 50	50 2000	F
B	NITRO 100	100 2000 2003	F
B	OVETTO 100	100 2000 2002	F
B	BUXI 50	50 1994 1997	F
B	Ludix Pro (4T / 14" Wheels/J.Juan Caliper)	50 2011	F
B	SPEEDAKE 50	50 1995 2001	F
B	Rodo Show 50	50 2000 2009	F
B	FREE 50	50 2002	F
B	Liberty Sport 50 4T	50 2007 2008	F/R
B	NRG 50	50 1994 1995	F
B	NRG 50	50 1996 1997	F
B	NRG 50 DT MC3 (Rear drum model)	50 2001 2005	F
B	NRG 50 EXTREME (Rear disc model)	50 1999 2001	F
B	NRG 50 EXTREME (Rear drum model)	50 1999 2001	F
B	NRG 50 MC2	50 1996 1997	F
B	NRG 50 MC2	50 1998	F
B	NRG 50 MC2 DD	50 1998	F
B	NRG 50 MC3 DD (Rear disc model)	50 2001 2005	F
B	NTT 50	50 1996	F
B	NTT 50	50 2000	F
B	TPH 50 X-R	50 2005	F
B	TYPHOON 50	50 1993 1999	F
B	TYPHOON XR 50	50 2000 2007	F
B	XR 50	50 2000	F
B	ZIP 50 BASE (Disc)	50 1995 1996	F
B	ZIP 50 Electric	50 2002	F
B	ZIP 50 FAST RIDER	50 1993 1997	F
B	TYPHOON 80	80 1993 1996	F
B	FREE 100	100 2002	F
B	HEXAGON 125	125 1994 1997	F
B	TYPHOON 125 / XR 125	125 1995 2000	F
B	TYPHOON 125 / XR 125	125 1999 2003	F
B	HEXAGON 150	150 1994 1999	F
B	ATALA HACKER 50	50 1995	F
B	AY 50 KATANA (Brembo caliper)	50 1997	F
B	50 BREEZE	50 1994 1996	F
B	50 SPY	50 1996 1998	F
B	50 ZUMA	50 1996	F
B	BW's / ZUMA II 50	50 1995	F
B	BW's 50	50 2004 2004	F
B	BW's 50	50 2005	F
B	BW's NAKED 50	50 2003 2004	F
B	BW's NAKED 50	50 2009	F
B	CS 50 Jog R	50 2002 2005	F
B	CS 50 Jog R	50 2006	F
B	CS 50 Z (Jog RR)	50 2003 2005	F
B	CS 50 Z (Jog RR)	50 2006 2012	F
B	NS 50 AEROX R	50 2013	F
B	NS 50 AEROX R NAKED	50 2013	F
B	YN 50 NEO'S	50 2002 2006	F
B	YN 50 NEO'S 2T	50 2007	F
B	YN 50 NEO'S 4T	50 2009	F
B	YN 50 R NEO'S	50 1997 2002	F
B	MAXTER 150	150 2001 2003	F
B	AF1 50 AE all models	50 1987	R
B	AF1 50 EUROPA	50 1991	R
B	AF1 50 FUTURA	50 1990	R
B	ET 50 AE	50 1987	R
B	MX 50	50 2003	R
B	RS 50	50 1993 1998	R
B	RS 50	50 1999 2005	R
B	RX 50	50 1990 1991	R
B	RX 50 RACING	50 2004	R
B	SX 50	50 2007	R
B	TUAREG 50 RALLY	50 1990	R
B	TUONO 50	50 2004 2006	R
B	CLIMBER 240	240 1989 1990	R
B	CLIMBER 275	275 1989 1992	R
B	R 150 (Minicross /4T/49cc)	50 2010 2012	R
B	BLUES 50	50 1989	R
B	COCIS 50	50 1988	R

B = Bike
A = ATV
S = Snowmobile

B = Bike
A = ATV
S = Snowmobile



CC FROM TO FRONT / REAR

...FDB694

	B	LUCKY EXPLORER 50	50	1988		R
	B	W4 PRO ACTION 50	50	1994		R
	B	COCIS 80	80	1989		R
	B	W4 PRO ACTION 80	80	1994		R
	B	ALETTA 125 ELECTRA	125	1984		F
	B	ALETTA 125 ELECTRA	125	1988		F
	B	ALETTA 125 ELECTRA	125	2000		F
	B	ALETTA 125 ELECTRA CLASSIC	125	1987		F/R
	B	ALETTA 125 ORO S2	125	1986		F/R
	B	BLUES 125	125	1993		R
	B	CRUISER 125	125	1987		R
	B	DAKAR 125	125	1985		F
	B	ELEFANT 125	125	1984		F
	B	ELEFANT 125	125	1985	1986	F
	B	ELEFANT 125	125	2000		F
	B	GP 125 S ALETTA ORO	125	1985		F/R
	B	N 125	125	1991		R
	B	SST 125	125	1981		F
	B	SST 125 LOW RIDER	125	1983		F
	B	SST 125 spoke wheel	125			F
	B	SXT 125	125	1982		F
	B	TAMANACO 125	125	1989		R
	B	W8 125 PRO ACTION	125	1996		R
	B	WSXT 125 ALETTA ROSSA	125	1983		F
	B	XSST 125	125	1981		F
	B	XSST 125	125	2000		F
	B	ELEFANT 200	200	1985		F
	B	ELEFANT 200	200	1988		F
	B	ELEFANT 200 A.E.	200	1986		F
DERBI	B	GPR 50 SPORT	50	1996		R
	B	GPR 75 SPORT	75	1990		R
FANTIC	B	CABALLERO 50 RC	50	1990		R
	B	KOALA 50	50	1987		F/R
	B	RAIDER 125	125	1983		F
	B	RAIDER 125 LC	125	1983		F
GARELLI	B	GTA 125	125	1986	2000	F/R
	B	GTA 125	125	1986	1986	F
GILERA	B	NGR 250	250	1985		F
HRD	B	FORMULA 125 LS	125	1986		F/R
	B	PLATINO 125 SL	125	1986		F/R
	B	SILVER 125 HOUSE	125	1986		F/R
KEEWAY	B	X-Ray 50 Supermoto	50	2007	2009	R
	B	TX125	125	2010	2012	R
KTM	B	SX 60 / 65	60	2000	2001	R
	B	SX 65	65	2002	2003	R
LAVERDA	B	125 (Brembo caliper)	125	1982		F
	B	GS 125 LESMO	125	1990		F/R
	B	LB 125 CUSTOM	125			F
	B	LB 125 STRADA	125			F
	B	LB 125 UNO	125			F
MALANCA	B	MARK 125	125	1985		F
	B	OB ONE 125 6M	125	1985		F/R
	B	OB ONE 125 RACING	125	1985		F/R
PUCH	B	CROSS 250	250	1986	1986	R
FDB696	FANTIC	B SPORT 125	125	2000		F
	B	SPORT 125 MK II	125	2000		F
	B	SPORT 125 MK II (f.a.tel.1706338)	125	1985		F
	B	STRADA 125 (FM. 4000-A)	125	1983		F
GARELLI	B	TSR 125	125			F
GILERA	B	RV 125	125	1983		F
	B	RV 200	200	1985		F
MOTO MORINI	B	K2 350	350	1984		F
PUCH	B	MAXI 80	80	1988		F
FDB697	ACCOSSATO	B 50 ENDURO CODICE	50	1989		R
	B	CE 50	50	1987		R
	B	KR 80	80	1987		R
APRILIA	B	AF1 50 AE all models	50	1987		F
	B	AF1 50 EUROPA	50	1991		F
	B	AF1 50 FUTURA	50	1990		F
	B	ET 50 AE	50	1987		F
	B	ETX 50	50	1986		F
	B	RED ROSE 50	50	1988	1991	F
	B	RED ROSE 50	50	1992		F
	B	RX 50	50	1990	1991	F
	B	TUAREG 50	50	1986		F
	B	TUAREG 50	50	1987		F
	B	TUAREG 50 RALLY	50	1990		F
	B	CLASSIC 80	80	1993		F



CC FROM TO FRONT / REAR

	B	CLIMBER 240	240	1989	1990	F
	B	TRX 240 M	240	1989		F/R
	B	CLIMBER 275	275	1989	1992	F
ATK (USA)	B	all models 1989-93		1989	1993	R
BETA	B	ALP 50	50	1991		R
	B	CHRONO 50	50	1992	1994	F
	B	CHRONO 50	50	1994		F
	B	KR 50	50	1987		F
	B	KR 50 ADVENTURE	50	1987		F
	B	TEMPO 50	50	1993		F
	B	REV 80	80	2008		R
	B	TR 34 125	125	1988		R
	B	REV 4T 250	250	2007	2008	R
	B	TR 34 250	250	1986	1988	R
	B	TR 34 250 PROFESSIONAL	250	1989		R
	B	TR 34 260	260	1987	1988	R
DERBI	B	GPR 50 SPORT	50	1996		F
	B	GPR 75 SPORT	75	1990		F
FANTIC	B	FAST 50	50	1988		F
	B	OASIS 50 .1	50	1986		F
	B	OASIS 50 .1 E.S.	50	1987		F
	B	OASIS 50 .1 K.S.	50	1987		F
	B	OASIS 50 .1 KICK	50	1987		F
	B	OASIS 50 .1 RALLY	50	1986		F
GARELLI	B	SAHEL 50	50	1991		F
	B	TIGER 50 XLE	50	1986		F
	B	SAHEL 80	80	1989		F
GILERA	B	EAGLET 50	50	1996		F
KTM	B	GO 50 SCOOTER	50	1994		F
MALAGUTI	B	CENTRO 50 SL	50	1993	1999	F
	B	F 12 50 PHANTOM (liquid cooled)	50	1994		F
	B	F 12 50 PHANTOM (liquid cooled)	50	1999		F
	B	F 15 50 FIREFOX Twin disk	50	1998		F
	B	MDX GOLD 50 ENDURO	50	1987		F
	B	MLX 50 ENDURO	50	1987		F
MBK	B	X-LIMIT 50	50	1998	2003	F
PIAGGIO	B	FREE 50	50	1996	2000	F
	B	FREE Delivery 50	50	2000	2001	F
RIZZATO	B	ATALA CAROSELLO 50	50	1997		F
TOMOS	B	REVIVAL	50	2003		F
	B	STREETMATE	50	2003		F
YAMAHA	B	DT 50 R	50	1997		F
	B	DT 50 R	50	2002	2007	F
FDB706	APRILIA	B CLASSIC 125	125	1996		F
	B	PEGASO 125	125	1989		F
	B	RED ROSE 125	125	1990		F
	B	RX 125	125	1990		F
	B	RX 125	125	1991		F
	B	TUAREG 125 RALLY	125	1989	1990	F
BETA	B	RR 50 all models	50	1999		F
	B	RR 50 PRO RACE	50	1998		F
BULTACO	B	LOBITO 50	50	1998		F
	B	LOBITO 75	75	1999		F
CAGIVA	B	ELEFANT 750 BIFARO	750	1990		R
DERBI	B	GPR 50 R/REPLICA	50	1997	2005	F
HUSQVARNA	B	WXE 125	125	2007		F
PEUGEOT	B	XR 6 50	50	2002		F
	B	XP 125 Street Evo 2	125	2005		F
	B	XPS 6 SUPERMOTARD	600	2003		F
RIEJU	B	MRX 50 CASTROL	50	2001	2002	F
	B	RR 50 CASTROL	50	2000	2002	F
	B	RS1 50	50	2001	2004	F
	B	SPIKE 50 MOTARD	50	2004		F
	B	MRX 125	125	2002	2008	F
	B	SMX 125	125	2002	2007	F
SACHS	B	ROADSTER 125	125	2000	2003	F
SHERCO	B	Enduro 50cc (2T)	50	2002	2007	F
	B	Supermotard 50cc (2T)	50	2002	2007	F
	B	City Corp 125 (All models)	125	2003	2007	F
FDB731	APRILIA	B SCARABEO 50 2T Street / 4T 4V	50	2010		F
DERBI	B	SENDA DRD Racing 50	50	2011		R
	B	SENDA DRD X-Treme 50 SM	50	2011		F/R
FANTIC	B	RAIDER 50	50	1981		F
	B	RAIDER 50 .1	50	1986		F
	B	STRADA 50 (FM. 240)	50	1982		F
KRAM IT	B	ER 125 RV 3	125	1988		R
	B	ER 250 RV 3	250			R
	B	ER 300 RV 3	300	1988		R

3028

B = Bike
A = ATV
S = Snowmobile

FERODO
MOTORCYCLE PADS

Updated on 9th Oct 2015

B = Bike
A = ATV
S = Snowmobile



CC FROM TO FRONT / REAR

Code	Brand	Model	CC	FROM	TO	FRONT / REAR
...FDB731	MALAGUTI	B MEX 50 ENDURO	50	1986		F
FDB736	BMW	B K 75 750	750	1990	1996	F
		B K 75 750 (ABS caliper)	750	1991	1996	F
		B K 75 750 RT	750	1991	1993	F
		B K 75 750 RT	750	1994	2000	F
		B R 80 800 all models	800	1989	1995	F
		B R 80 800 R ROADSTER	800	1993	1994	R
		B K 100 1000 LT	1000	1988	1992	F
		B K 100 1000 RS	1000	1988	1989	F
		B R 100 1000 R ROADSTER - MYSTIC	1000	1993	1996	F
		B K 1100 LT (ABS)	1100	1992	1993	R
		B K 1100 RS (ABS and NOT)	1100	1994	1999	R
		B K 1100 RT (ABS)	1100	1994	1999	R
		B K 1200 ST	1200	1999	2001	R
		QUADZILLA	A RL 500 Buggie	500	2008	2009
FDB737	YAMAHA	B 400 ARTESIA	400	1991		F
		B XT 600 E - K	600	1991	1994	F
		B XT 600 E - K	600	1995	2003	F
		B XT 600 Z TENERE	600	1991		F
		B XTZ 660 TENERE	660	1991	1998	F
FDB741	KAWASAKI	B ZX 400 L	400	1992		F
		B ZXR 400 (ZX400-L)	400	1992		F
FDB754	HONDA	B NSS 250 FORZA (MF04/06)	250	2000	2004	R
		B CBF 500	500	2004		R
		B CBF 500 ABS	500	2004	2007	R
		B CB 600 F HORNET (16 wheel)	600	1998	1999	R
		B CB 600 F HORNET (17 wheel)	600	2000	2006	R
		B CB 600 F HORNET (Japan)	600	1998		R
		B CB 600 F HORNET ABS	600	2007		R
		B CB 600 F HORNET S (17 wheel)	600	2000	2004	R
		B CBF 600 4/A4 / HORNET / Travel	600	2004		R
		B CBF 600 N / S / ABS	600	2008		R
		B CBF 600 S/ABS	600	2011		R
		B CBR 600 F	600	2007		R
		B CBR 600 F (Japan)	600	1999	2004	R
		B CBR 600 F1 / F2 / FS1 / FS2 Sport	600	2001	2002	R
		B CBR 600 F2	600	1991	1994	R
		B CBR 600 F3	600	1995	1998	R
		B CBR 600 F4 / F4i Sport	600	1999	2004	R
		B CBR 600 FX / FY	600	1999	2000	R
		B CBR 600 RR	600	2003	2004	R
		B CBR 600 RR	600	2005	2006	R
		B CBR 600 RR - Racing Applications	600	2005		R
		B FMX 650	650	2005	2006	R
		B TRANSALP 680	680	2008		R
		B CTX700	700	2014		R
		B CTX700N	700	2014		R
		B INTEGRA 700 (NC700DC,DD)	700	2012		R
		B NC 700 SA,XA (manual gearbox - ABS)	700	2012		R
		B NC 700 SD,XD (automatic gearbox - ABS)	700	2012		R
		B CB 750 N SEVEN FIFTY	750	1992	2002	R
		B NC 750 INTEGRA DCT (NC750DE)	750	2014		R
		B NC750S (RC70)	750	2014		R
		B NC750X (RC72)	750	2014		R
		B CB 900 HORNET	900	2002		R
		B CBR 900 RR-FIREBLADE (Japan)	900	1998	2003	R
		B CBR 900 RR-FIREBLADE (SC28)	900	1992	1995	R
		B CBR 900 RR-FIREBLADE (SC33)	900	1998	1999	R
		B CBR 900 RR-FIREBLADE (SC44&50)	900	2000	2003	R
		B CBR 929 RR-FIREBLADE	929	2000	2001	R
		B CB 1000 SF	1000	1993	1997	R
		B CBF 1000	1000	2006		R
		B CBF 1000 / ST	1000	2011		R
		B CBR 1000 BIG ONE	1000	1993	1997	R
		B CBR 1000 FIREBLADE	1000	2004	2005	R
		B CBR 1000 FIREBLADE - Racing Applications	1000	2004	2005	R
		B VTR 1000 FV FIRESTORM - SUPERHAWK	1000	1997	2000	R
		B VTR 1000 SP-1 (Japan)	1000	2000	2004	R
		B VTR 1000 SP-1 (SC45)	1000	2000	2001	R
		B VTR 1000 SP-2 (SC45)	1000	2002		R
		B 1100 AMERICAN CLASSIC EDITION	1100	1995		R
		B CB 1100	1100	2013		R
		B CB 1100 EX	1100	2015		R
		B VT 1100 C2 SHADOW	1100	1995		R
		B CB 1300	1300	2001		R
		B CB 1300 S	1300	2011		R
		B VT 1300 CX	1300	2010		R
		B VTX 1300 S / C	1300	2003		R



CC FROM TO FRONT / REAR

Code	Brand	Model	CC	FROM	TO	FRONT / REAR	
	KAWASAKI	B Vulcan650 S	650	2015		R	
		B Z 750 / Z 750 S	750	2007		R	
		B Z 750 R	750	2011		R	
		B KLZ VERSYS 1000	1000	2012		R	
		B KLZ VERSYS 1000	1000	2015		R	
		B Z 1000	1000	2007	2009	R	
		SUZUKI	B DL V-STROM 650 A XT ABS -Right	650	2015		R
			B DL V-STROM 650 AK ABS -Right	650	2007	2011	R
			B DL V-STROM 650 AL ABS -Right	650	2012		R
			B DL V-STROM 650 XK NO ABS -Right	650	2007	2011	R
			B DL V-STROM 650AK GT Traveller ABS -Right	650	2007	2011	R
			B DL V-STROM 650AL XP Xpedition ABS -Right	650	2011	2011	R
			B GSF 650 (Naked Bandit Non ABS)	650	2007	2011	R
			B GSF 650 A (Naked Bandit -ABS) right	650	2005	2006	R
	B GSF 650 A (Naked Bandit ABS)		650	2007	2011	R	
	B GSF 650 S (Faired Bandit Non ABS)		650	2007	2011	R	
	B GSF 650 SA (Faired Bandit -ABS) right		650	2005	2006	R	
	B GSF 650 SA (Faired Bandit ABS)		650	2007		R	
	B GSX 650F (ABS)		650	2008		R	
	B GSX 650F (NO ABS)		650	2008	2011	R	
	B SV 650 (Naked - Non ABS) - left	650	2003	2010	R		
	B SV 650 A (Naked - ABS) - left	650	2007	2010	R		
	B SV 650 S (Top Fairing - Non ABS) - left	650	2003	2012	R		
	B SV 650 SA (Top Fairing - ABS) - left	650	2007	2013	R		
	B XF 650 FREEWIND	650	1997	2002	R		
	B GSR 750 ABS&NO ABS (Left)	750	2011		R		
	B DL V-STROM 1000 NO Abs -left	1000	2002	2010	R		
	B SV 1000 K3/SK3	1000	2003		R		
	B GSF 1250 (Naked Bandit - Non ABS)	1250	2007	2011	R		
	B GSF 1250 A (Naked Bandit - ABS)	1250	2007	2010	R		
	B GSF 1250 S (Faired Bandit - Non ABS)	1250	2007	2010	R		
	B GSF 1250 SA (Faired Bandit - ABS)	1250	2007	2012	R		
	B GSF 1250 SA (Faired Bandit - ABS)	1250	2015		R		
	B GSX 1250 FA	1250	2010		R		
	B GSX 1250 FA ST (Sport Touring)	1250	2010		R		
	TRIUMPH	B BABY SPEED 600	600	2004		R	
		B DAYTONA 600	600	2003		R	
		YAMAHA	B FZ6 600 / FZ6 600 FAZER ABS	600	2004	2007	R
			B FZ6 600 S2 / FZ6 600 FAZER S2 ABS	600	2007	2009	R
			B XJ6-F Diversion 600 (Non ABS&ABS models)	600	2013		R
			B XJ6-N Diversion 600 (Non ABS&ABS models)	600	2013		R
			B XJ6-S Diversion 600 (Non ABS&ABS models)	600	2013		R
			B XJ6-SP Diversion 600 (NON ABS&ABS models)	600	2013	2013	R
			B YZF 600 R6	600	2003	2004	R
			B YZF 600 R6	600	2005		R
			B MT-07 (No ABS)	700	2014		R
			B MT-07 ABS	700	2014		R
			B MT-07 Motocage ABS	700	2015		R
			B FAZER 8 (NO ABS/ABS)	800	2011		R
	B FZ8 ABS		800	2011		R	
	B FZ8 NO ABS		800	2011		R	
	B MT-09 (No ABS)	850	2014		R		
	B MT-09 ABS	850	2014		R		
	B MT-09 Sport Tracker ABS	850	2015		R		
	B MT-09 SR ABS	850	2014		R		
	B MT-09 Tracer ABS	850	2015		R		
	B FZ1 1000 (NO ABS/ABS)	1000	2006		R		
	B FZ1 1000 Fazer (NO ABS/ ABS)	1000	2006		R		
	B YZF 1000 R1	1000	2004	2006	R		
	B YZF 1000 R1	1000	2007		R		
FDB781	CFMOTO	B CF 250 T - 5 Custom	250	2011	2012	F	
	SYM	B SB125 N - Wolf (Carb Model/Drum Rear Brake)	125	2011		F	
	YAMAHA	B TDR 125 R	125	1993	2003	F	
		B FZX 250 ZEAL	250	1991		F	
		B SRV 250 SOULFULTWIN RENAISSA	250	1992	1997	F	
		B TY 250 Z SCOTTISH	250	1996		F	
		B SR 400 (BC-RH01J)	400	2001		F	
		B SR 400 (RH051)	400	2014		F	
		B XVS 400	400	1998	1999	F	
		B YP 400 MAJESTY	400	2004	2004	F	
		B XP 500 T MAX	500	2001	2003	F	
		B XV 535 VIRAGO	535	1995	1998	F	
		B 600 DIVERSION	600	1992	1997	F	
		B XJ 600 S	600	1992	1997	F	
		B XVS 650 A DRAG STAR CLASSIC	650	1998		F	
		B XVS 650 DRAG STAR	650	1997		F	
	B XV 750 VIRAGO	750	1994	1997	F		
	B XJ 900 SECA DIVERSION	900	1995	2003	F		

B = Bike
A = ATV
S = Snowmobile

FERODO
MOTORCYCLE PADS

Updated on 9th Oct 2015

B = Bike
A = ATV
S = Snowmobile

3029



CC FROM TO FRONT / REAR

...FDB892

			CC	FROM	TO	FRONT / REAR
	B	CR 125	125	2002		F
	B	CR 125 RW - RX - RY - R1	125	1996	2001	F
	B	CRE 125 2T /Six Comp	125	2002		F
	B	CRE 125 4T Six Racing	125	2011		F
	B	XLR 125	125	1993		F
	B	CRF 150	150	2003	2007	F
	B	NX 150 (Brasil)	150			F
	B	CTX 200	200	2003	2004	F
	B	NX 200 (Brasil)	200			F
	B	XLR 200 R	200	1993		F
	B	XR 200 (Brasil)	200			F
	B	CRF 230 F	230	2003	2007	F
	B	CRF 230 F	230	2008		F
	B	EASY 230 Enduro /SM	230	2008		F
	B	SL 230	230	1997		F
	B	CR 250	250	2002		F
	B	CR 250 R	250	1996		F
	B	CRE 250 / CRE F250 X/R	250	2002		F
	B	CRF 250 X / R	250	2004		F
	B	CRF250R	250	2014		F
	B	CRM 250 R	250	1991		F
	B	NX 250 DOMINATOR	250	1993		F
	B	XL 250 DEGREE	250	1991		F
	B	XLR 250 R	250	1991		F
	B	XLR 250 R BAJA	250	1991		F
	B	XR 250 L	250	1991	1995	F
	B	XR 250 R	250	1994		F
	B	CRE F300 X	300	2008		F
	B	NX 350 SAHARA (Brasil)	350			F
	B	XR 400 R (All Models)	400	1996		F
	B	XR 400 SUPERMOTARD	400	2000		F
	B	XR 440 R (DALL'ARA)	440	1999		F
	B	CRE F450 R	450	2011		F
	B	CRE F450 X/R	450	2008		F
	B	CRF 450 R	450	2002		F
	B	CRF 450 Rally	450	2013		F
	B	CRF 450 SUPERMOTARD	450	2002		F
	B	CRF 450 X	450	2005	2013	F
	B	CR 500 R	500	1993	1994	F
	B	CR 500 R	500	1995	2001	F
	B	CRE F500 X	500	2009		F
	B	XL 600 V TRANSALP	600	1997	1999	F
	B	XR 600 L - R	600	1994	2002	F
	B	NX 650 DOMINATOR	650	1995	1997	F
	B	XL 650 V TRANSALP	650	2000		F
	B	XR 650 L	650	1996		F
	B	XR 650 R	650	1999		F
	B	XR V 750 R AFRICA TWIN	750	1994	2003	F
HONDA ATV	A	TRX 450 R/ER	450	2004	2009	F
	A	TRX 700 XX (8/XX9)	700	2008	2009	F
KAWASAKI	B	KX 125	125	1996	2002	F
	B	KX 125	125	2003		F
	B	KX 125 K2-K4	125	1995		F
	B	KDX 200 E6 / H1 - H3	200	1994	2003	F
	B	KDX 220 RA4	220	1997	2003	F
	B	KDX 250 K2-K4	250	1995		F
	B	KLX 250	250	1995	1997	F
	B	KX 250	250	1994	1995	F
	B	KX 250	250	1996	2002	F
	B	KX 250	250	2003		F
	B	KX 250 F	250	2004		F
	B	KLX 300 R	300	1997	2003	F
	B	KLX 450 R	450	2007		F
	B	KX 450 F	450	2006		F
	B	KX 500	500	1994	1995	F
	B	KX 500 E8/E9	500	1996		F
	B	KLX 600 R	600	1993		F
	B	KLE VERSYS 650 NO ABS&ABS	650	2015		F
	B	KLX 650 R	650	1993	1997	F
SUZUKI	B	DR 125 SM	125	2008		F
	B	RM 125	125	2009		F
	B	RM 125 E	125	2009		F
	B	RM 125 T - U - V	125	1996	1998	F
	B	RM 125 X - Y - K1	125	1999	2008	F
	B	SM 125	125	2010		F
	B	RM 250	250	2000	2008	F
	B	RM 250	250	2009		F
	B	RM 250 T/V	250	1996		F



CC FROM TO FRONT / REAR

			CC	FROM	TO	FRONT / REAR
	B	RM-Z 250	250	2004	2008	F
	B	RM-Z 250 / E	250	2009		F
	B	RMX 250	250	2000	2002	F
	B	RMX 250 T/V	250	1996	1998	F
	B	DR-Z 400 S - E - SM	400	2000		F
	B	RM-Z 450	450	2005	2007	F
	B	RM-Z 450 / E	450	2008		F
	B	RMX 450 E	450	2009		F
	B	SM 450X	450	2009		F
	B	DR 650 SE	650	1996		F
	B	YZ 125	125	2003	2007	F
	B	YZ 125 all models	125	1998	2002	F
	B	WR 250 (F 4T)	250	2003	2013	F
	B	WR 250 (ZK 2T - FN&FT 4T)	250	1998	2002	F
	B	WR 250 R (32D1/3)	250	2008	2010	F
	B	YZ 250 (2T)	250	2003	2007	F
	B	YZ 250 F (4T)	250	2003	2006	F
	B	YZ 250 FN-FP (4T)	250	2001	2002	F
	B	YZ 250 K/L/M	250	1998	2000	F
	B	YZ 250 N-P (2T)	250	2001	2002	F
	B	WR 400 F	400	1998		F
	B	WR 400 F	400	1999	2001	F
	B	YZ 400 F	400	1998		F
	B	WR 426 FN	426	2001	2002	F
	B	YZ 426 FM / FN	426	2000	2002	F
	B	WR 450 F	450	2003		F
	B	YZ 450 F	450	2003	2007	F
FDB2001	HARLEY DAVIDSON	XL 883 EVO	883	1987	1999	R
	B	XLH Sportster 883 Hugger	883	1992	1993	R
	B	XL 1200 EVO	1200		1999	R
	B	FLST Heritage Softail	1340		1990	R
	B	FLSTC Heritage Softail Classic	1340		1999	R
	B	FLSTF Fat Boy	1340	1990	1999	R
	B	FLSTN Heritage Softail	1340	1993	1996	R
	B	FLSTS Heritage Springer Softail	1340	1997	1999	R
	B	FXD Dyna Super Glide	1340	1995	1999	R
	B	FXDB Dyna Street Bob	1340	1991	1992	R
	B	FXDC Dyna Super Glide Custom	1340	1991	1992	R
	B	FXDG Dyna Glide Sturgis	1340	1991		R
	B	FXDL Dyna Low Rider	1340	1993	1999	R
	B	FXDS-Conv. / Dyna Convertible	1340	1994	1999	R
	B	FXDWG Dyna Wide Glide	1340	1993	1999	R
	B	FXDX Dyna Super Glide Sport	1340	1995	1999	R
	B	FXLR Low Rider Custom	1340		1994	R
	B	FXR Super Glide	1340		1994	R
	B	FXRS Low Glide	1340		1992	R
	B	FXRT Sport Glide	1340		1992	R
	B	FXST Softail	1340		1990	R
	B	FXST Softail Standard	1340		1999	R
	B	FXSTB Night Train	1340		1999	R
	B	FXSTC Softail Custom	1340		1999	R
	B	FXSTS Springer Softail	1340		1999	R
	B	FXSTSB Bad Boy	1340	1995	1997	R
	S	HAYES (all models)		1993	1998	R
	S	INDY RXL - RMK - SKS		1993	1997	R
	S	INDY SPORT - TOURING		1993	1998	R
	S	INDY TRAIL - DE LUXE		1993	1998	R
	S	INDY TRANSPORT		1996	1998	R
	S	INDY ULTRA (all models)		1996	1998	R
	S	INDY XLT (all models)		1993	1998	R
	S	INDY 440 XCR	440	1993	1999	R
	S	XCF 440	440	1998	2000	R
	S	INDY 600 XCR - SP	600	1996	1999	R
FDB2002	HONDA	CBR 1000 F-PP	1000	1993	1999	F/R
FDB2003	ADIVA	AD 125	125	2009	2011	R
		AR 125	125	2010	2011	R
		AD 200	200	2009	2011	R
		AR 200	200	2010	2011	R
	ITALJET	B JUPITER 125	125	2001		F
		B JUPITER 125 / 150 / 250	125	2002	2003	F
		B JUPITER 250	250	2001		F
		B JUPITER 250	250	2002		F
	KTM	B SX 450 SMR	450	2005	2006	R
		B SX 525 SMR	525	2005		R
	LINHAI	B Monarch 125 T	125	2006		F
		B Monarch 150 T	150	2006		F
		B Main Street 300 (Scooter)	300	2007		F
	MBK	B SKYLINER 250	250	2000	2002	F

B = Bike
A = ATV
S = Snowmobile

B = Bike
A = ATV
S = Snowmobile



CC FROM TO FRONT / REAR

...FDB2003

		CC	FROM	TO	FRONT / REAR
		400	2004		F
SINNIS	B SKYLINER 400	125	2008	2010	F
	B QM 125-2 V Max 125	125	1997	2003	F
YAMAHA	B SR 125	125	1993	1993	F
	B TDR 125	125	1993		F
	B TZR 125	125	1997	2000	F
	B XV 125 VIRAGO	125	2000		F
	B XVS 125 DRAG STAR	250	2005	2008	F
	B CP 250 (1B71) Maxam/Morphus	250	1995	2000	F
	B XV 250 S VIRAGO	250	2001	2004	F
	B XVS 250 DRAGSTAR	250	2000		F
	B YP 250 A MAJESTY	250	1996	1997	F
	B YP 250 MAJESTY	250	1998	1999	F
	B YP 250 MAJESTY DX - ABS	400	1991	1994	F
	B XJ 400 DIVERSION - R	400	1997		F
	B XJR 400 R	400	2007		F
	B YP 400 MAJESTY (ABS)	400	2005		F
	B YP 400 MAJESTY (NO ABS)	500	2004	2007	F
	B XP 500 T MAX	600	2004	2007	F
	B FZ6 600 / FZ6 600 FAZER ABS	600	2009		F
	B FZ6R 600	600	1998	2003	F
	B XJ 600 S	600	2010	2013	F
	B XJ6-F Diversion 600 (Non ABS&ABS models)	600	2013		F
	B XJ6-F Diversion 600 (Non ABS&ABS models)	600	2009	2013	F
	B XJ6-N Diversion 600 (Non ABS&ABS models)	600	2013		F
	B XJ6-N Diversion 600 (Non ABS&ABS models)	600	2009	2013	F
	B XJ6-S Diversion 600 (Non ABS&ABS models)	600	2013		F
	B XJ6-S Diversion 600 (Non ABS&ABS models)	600	2013	2013	F
	B XJ6-SP Diversion 600 (NON ABS&ABS models)	660	2008		F
	B MT-03 660	660	2008		F
	B MT-03 660	1100	1999		F
	B XVS 1100 DRAG STAR / CLASSIC	1200	1999		F
	B FJ 1200	1300	2014		F
	B XVS 1300 A cfd Midnight Star	1300	2007		F
	B XVS 1300 A Midnight Star	250	1995		R
FDB2005	ALFER	250	1995		R
	B VR 250 ENDURO	250	1995		R
	B VR 250 MOTOCROSS	250	1999		R
	B VR 250 SUPERMOTARD	650	2007		R
APRILIA	B PEGASO 650 TRAIL	650	2001	2004	R
	B PEGASO 650 / I.E.	650	2008		R
	B PEGASO 650 Factory	650	2004		R
	B PEGASO 650 STRADA	750	2008		R
	B SL 750 SHIVER ABS / GT	750	2008		R
	B SMV 750 Dorsoduro (NO ABS/ABS)	750	2010		R
	B SMV 750 Dorsoduro FACTORY	1200	2013		R
	B CAPONORD 1200	1200	2015		R
	B CAPONORD 1200 Rally	1200	2011		R
	B DORSODURO 1200 / ABS / ATC		1996	2001	R
ATK (USA)	B all models 1996-01	500	1998	1999	R
	B 500 / 600 Dirt Track	449	2010		R
BENELLI	B BX 449 Motard	449	2007	2012	R
	B BX Cross (449cc)	505	2008	2012	R
	B BX Enduro (505cc)	570	2008	2010	R
	B BX 570 Motard	125	1999	2001	R
BETA	B JONATHAN 125	350	1999	2001	R
	B EURO 350	125	2000	2003	R
BMW	B C1 125 Scooter	200	2001	2003	R
	B C1 200 Scooter	650	1994	2000	R
	B F 650 / 650 ST	650	2001		R
	B F 650 GS / CS	650	2002		R
	B F 650 SCARVER	650	2007		R
	B G 650 X Challenge / X Country	650	2008		R
	B G 650 X Moto	650	2011		R
	B G650 GS	700	2013		R
	B F700 GS	800	2008		R
	B F800 GS	800	2012		R
	B F800 GS ADV	800	2013		R
	B F800 GT	800	2015		R
	B F800 R	800	2007		R
	B F800 S / ST / R	850	1998	2001	R
	B R 850 RT	1000	2013		R
	B HP4 1000 (K42) - Racing version pad	1000	2013		R
	B HP4 1000 (K42) - Road version pad	1000	2014		R
	B S1000 R Naked (K47)	1000	2015		R
	B S1000 RR	1000	2010	2014	R
	B S1000 RR (K46)	600	1999		R
CCM	B 604 E 600 SPORT	600	1999		R
	B 604 E 600 SUPERMOTO	600	1999		R



CC FROM TO FRONT / REAR

		CC	FROM	TO	FRONT / REAR
		600	1996		R
	B C 25 600	604	2000		R
	B 604 RS ROADSTER	803	2015		R
DUCATI	B SCRAMBLER Classic	803	2015		R
	B SCRAMBLER Full Throttle	803	2015		R
	B SCRAMBLER Icon	803	2015		R
	B SCRAMBLER Urban Enduro	803	2015		R
	B Sportclassic GT 1000 / SPORT 1000S / Touring	1000	2008		R
GASGAS	B EC / MC 125	125	1996	1999	R
	B EC / MC 250	250	1996	1999	R
	B TT 250	250	1995		R
	B EC / MC 300	300	1996	1999	R
HONDA	B CB 500 S	500	1999	2003	R
	B CB 500 V	500	1997	2003	R
	B NX 500	500	1997	1999	R
	B NX 650 DOMINATOR	650	1998	2002	R
	B SLR 650	650	1997	1998	R
	B VIGOR 650	650	1999	2002	R
HUSABERG	B FC 501	50	1998		R
	B FE 501 S - E	50	1998		R
	B FE 350 / 450 / 550 / 650 / E	350	1995		R
	B MC 350	350	1994		R
	B FC 400	400	1999		R
	B FE 400 S - E	400	1998		R
	B FE 450	450	2003	2006	R
	B FE 450 c	450	2006		R
	B 500 all models	500	1996		R
	B FC 350 / 450 / 550	550	1995		R
	B FE 550 E Strada	550	2008		R
	B FE 570	570	2009		R
	B EF 600 E (Quad)	600	1998		F
	B FC 600 SUPERMOTARD	600	1998		R
	B FE 600 S - E - R	600	1998		R
	B FE 600 SUPERMOTARD	600	2000	2007	R
	B FE 650 E	650	2006	2008	R
	B FS 650 e, c	650	2006		R
HUSQVARNA	B 125 ALL MODELS 1994-1995	125	1994	1995	R
	B CR 125	125	1996	2004	R
	B SM 125 S	125	2002	2011	R
	B SM 125 S (4T)	125	2011		R
	B SM 125 S SUPERMOTARD	125	1998	1999	R
	B TE 125 (4T)	125	2011	2013	R
	B WR 125	125	1998	2005	R
	B WRE 125 / DUAL	125	1994	1999	R
	B 250 ALL MODELS 1994-1995	250	1994	1995	R
	B CR 250	250	1996		R
	B SMS 250	250	2011		R
	B TC 250	250	2002	2003	R
	B TE 250 (4T)	250	2002	2005	R
	B WR 250	250	1995	2008	R
	B WR 250 (2T)	250	2009	2013	R
	B WR 300 (2T)	300	2009	2013	R
	B TE 350	350	1996		R
	B WR 360 ENDURO	360	1998	1999	R
	B TE 400 E DUAL - ENDURO	400	1998		R
	B 401 SVARTPILEN	401	2015		R
	B 401 VITPILEN	401	2015		R
	B TE 410 E	410	2000		R
	B SM 450 R	450	2003	2006	R
	B TC 450	450	2003	2004	R
	B TE 450	450	2003	2005	R
	B SM 510 R	510	2005	2005	R
	B TC 510	510	2004	2004	R
	B TE 510	510	2004	2005	R
	B SM 570 R	570		2004	R
	B TE 570	570		2004	R
	B SM 600 SUPERMOTARD	600	1998		R
	B TE 600	600	1996		R
	B TE 600 E DUAL - ENDURO	600	1998		R
	B LT 610	610	2000	2000	R
	B SM 610 (6 bolt front disc)	610	1998	1999	R
	B SM 610 IE	610	2007	2009	R
	B SM 610 R	610	2000	2011	R
	B SM 610 S (Radial caliper)	610	2006	2006	R
	B SM 610/S (4 bolt front disc)	610	2002	2006	R
	B TC 610	610	1996		R
	B TE 610 E	610	1995	2000	R
	B TE 610 E	610	2003	2004	R
	B TE 610/E	610	2006	2009	R



CC FROM TO FRONT / REAR



CC FROM TO FRONT / REAR

...FDB2005

KTM

B	SMR 630	630		2006	R
B	SMR 630 (4T)	630	2010	2012	R
B	STR 650 CRC	630	2007		R
B	TE 630	630	2010	2012	R
B	BAJA	650	2013		R
B	Moab	650	2012		R
B	SMR 650	650	2007		R
B	STR 650	650	2007		R
B	TR 650 Strada (Cast Wheel)	650	2012	2013	R
B	TR 650 Terra (Spoke Wheel)	650	2012	2013	R
B	701 SUPERMOTO	690	2015		R
B	NUDA 900	900	2012		R
B	NUDA 900 ABS	900	2013		R
B	NUDA 900 R	900	2012		R
B	NUDA 900 R ABS	900	2013		R
B	125 DUKE	125	2010		R
B	125 DUKE (ABS Std)	125	2013		R
B	125 EXC (2T)	125	1998	2003	R
B	EXE 125	125	2000	2003	R
B	LC2 125	125	1998		R
B	LC2 STING 125	125	1998		R
B	RC 125 (ABS Std)	125	2014		R
B	SX 125	125	1996	2002	R
B	200 DUKE (ABS Std)	200	2013		R
B	200 EXC (2T)	200	1998	2003	R
B	EGS 200	200	1998		R
B	RC 200 (ABS Std)	200	2014		R
B	250 all models	250	1994	1995	R
B	250 EXC (2T)	250	1998	2003	R
B	250 SX (2T)	250	1994	2002	R
B	300 all models	300	1994	1995	R
B	300 EXC (2T)	300	2000	2003	R
B	SX 380	380	1998		R
B	390 DUKE (ABS Std)	390	2013		R
B	RC 390 (ABS Std)	390	2014		R
B	LC4 400 E	400	1998		R
B	SX 400	400	2000		R
B	SXC 400	400	1998		R
B	450 EXC (4T)	450	2003	2004	R
B	500 all models	500	1994	1995	R
B	500 EXC (4T)	500	1998	2011	R
B	SXC 540	540	1998		R
B	SC 600	600	1998		R
B	ADVENTURE 620 / 625 / 640 R	620	1998		R
B	LC4 620 COMPETITION	620	1998		R
B	THE DUKE 620	620	1994	1998	R
B	625 SMC LC4	625	2005		R
B	DUKE 2 640	640	1998	1999	R
B	LC4 640 DUKE II	640	2000		R
B	LC4 640 E	640	1998		R
B	LC4 640 SUPERMOTO	640	1998		R
B	SXC 650	650	2004		R
B	660 SMC	660	2004		R
B	LC4 660 SUPERMOTO	660	2003		R
B	690 DUKE (ABS Std)	690	2012		R
B	690 DUKE R	690	2010	2012	R
B	690 DUKE R (ABS Std) (Racing version pad)	690	2013		R
B	690 DUKE R (ABS Std) (Road version pad)	690	2014		R
B	690 Enduro R (ABS Std)	690	2008		R
B	690 SM	690	2007		R
B	690 SMC R (ABS Std)	690	2013		R
B	690 SMR / SMC / DUKE / SupermotoR	690	2008		R
B	LC4 690 SUPERMOTO Prestige	690	2007		R
B	DUKE 950 / 990 / 990 RC8	950	2003		R
B	990 SUPERDUKE	990	2005	2011	R
B	990 SUPERDUKE R	990	2007		R
B	250 CROSS	250	1998		R
B	500 CROSS	500	1998		R
B	80 (Big wheel)	80	2002	2004	R
B	80 Cross	80	1996	2001	R
B	80 Enduro	80	1996	2000	R
B	80 Junior Cross (Small wheel)	80	2002	2004	R
B	85 (Big wheel)	85	2002	2004	R
B	85 Cross	85	1996	2001	R
B	85 Junior Cross (Small wheel)	85	2002	2004	R
B	100 (Big wheel)	100	2002	2004	R
B	100 Junior Cross (Small wheel)	100	2002	2004	R
B	125 Cross	125	1995	2000	R

MAICO

TM

FDB2006

B	125 Enduro	125	1995	2000	R
B	250 Cross	250	1995	2000	R
B	250 Enduro	250	1995	2000	R
B	300 Cross	300	1995	2000	R
B	300 Enduro (2T)	300	1995	2000	R
B	400 Cross (4T)	400	1995	2000	R
B	530 Cross (4T)	530	1998	2000	R
B	TRIUMPH DAYTONA 675	675	2013		R
B	DAYTONA 675 R (Racing version pad)	675	2013		R
B	DAYTONA 675 R (Road version pad)	675	2013		R
B	STREET TRIPLE 675	675	2013		R
B	STREET TRIPLE 675 R	675	2013		R
B	STREET TRIPLE 675 Rx	675	2015		R
B	YAMAHA WR 125 R	125	2009	2013	R
B	WR 125 X (Supermoto)	125	2009		R
B	YP 125 MAJESTY S	125	2015		R
B	TT 600 R	600	1998	1999	R
B	TT 600 RE	600	2004		R
B	TT-R 600 R	600	2000	2003	R
B	MT-03 660	660	2008		R
B	MT-03 660	660	2008		R
B	XT 660 R	660	2004		R
B	XT 660 X Supermoto	660	2004		R
B	XT 660 Z TENERE (Non ABS)	660	2008		R
B	XT 660 ZA TENERE (ABS)	660	2011	2011	R
FDB2006	APRILIA RS 125 EXTREMA - REPLICA	125	1998	1999	F
B	PEGASO 600	600	1990		F
B	MOTO 650 6.5	650	1995	1999	F
B	PEGASO 650	650	1996	2000	F
B	PEGASO 650 TRAIL	650	2007		F
B	PEGASO 650 / I.E.	650	2001	2004	F
B	STARCK 650	650	1996		F
B	BMW ETV 1000 CAPONORD / RALLY RAID	1000	2001		F
B	C1 125 Scooter	125	2000	2003	F
B	C1 200 Scooter	200	2001	2003	F
B	F 650 / 650 ST	650	1994	2000	F
B	F 650 GS / CS	650	2001		F
B	F 650 SCARVER	650	2002		F
B	G 650 X Challenge / X Country	650	2007		F
B	G650 GS	650	2011		F
B	F700 GS	700	2013		F
B	F800 GS	800	2008		F
B	F800 GS ADV	800	2012		F
B	HP2 Enduro 1200	1200	2007		F
B	R 1200 GS (K50)	1200	2013		R
B	R 1200 GS Adventure (K51)	1200	2013		R
B	R 1200 R	1200	2015		R
B	R 1200 RS	1200	2015		R
B	R 1200 RT	1200	2014		R
B	K 1600 GT/ GTL/GTL E	1600	2011		R
B	YAMAHA DUCATI GT 1000	1000	2006	2007	F
B	PAUL SMART 1000 Limited Edition	1000	2007		F
B	SPORT 1000	1000	2006		F
B	Sportclassic GT 1000 / SPORT 1000S / Touring	1000	2008		F
B	DIAVEL CARBON 1200 (ABS Std) (Racing version pad)	1198	2014		R
B	DIAVEL CARBON 1200 (ABS Std) (Road version pad)	1198	2014		R
B	DIAVEL DARK 1200 (ABS Std) (Racing version pad)	1198	2014		R
B	DIAVEL DARK 1200 (ABS Std) (Road version pad)	1198	2014		R
B	DIAVEL STRADA 1200 (ABS Std) (Racing version pad)	1198	2014		R
B	DIAVEL STRADA 1200 (ABS Std) (Road version pad)	1198	2014		R
B	DIAVEL TITANIUM 1200 (ABS Std) (Racing pad)	1198	2015		R
B	DIAVEL TITANIUM 1200 (ABS Std) (Road version pad)	1198	2015		R
B	DIAVEL 1200 (ABS Std) (Racing version pad)	1200	2011		R
B	DIAVEL 1200 (ABS Std) (Road version pad)	1200	2011		R
B	HONDA CB 500 S	500	1999	2003	F
B	CB 500 V	500	1997	2003	F
B	NX 500	500	1997	1999	F
B	NT 650 V DEAUVILLE	650	1998	2001	F
B	NX 650 DOMINATOR	650	1998	2002	F
B	SLR 650	650	1997	1998	F
B	VIGOR 650	650	1999	2002	F
B	HUSQVARNA BAJA	650	2013		F
B	Moab	650	2012		F
B	TR 650 Strada (Cast Wheel)	650	2012	2013	F
B	TR 650 Terra (Spoke Wheel)	650	2012	2013	F
B	690 Enduro R (ABS Std)	690	2008		F
B	950 R SUPERENDURO	950	2006	2008	F
B	ADVENTURE 950	950	2003		F

B = Bike
A = ATV
S = Snowmobile

B = Bike
A = ATV
S = Snowmobile



CC FROM TO FRONT / REAR

Code	Brand	Model	CC	FROM	TO	FRONT / REAR
FDB2006	MOTO GUZZI	990 ADVENTURE ABS	990	2008		F
		990 ADVENTURE R	990	2008		F
		940 - Bellagio	940	2007	2012	F
		BELLAGIO 1000 / Aquila Nera	1000	2008		F
		CALIFORNIA 1000 EV	1000	1999	2001	R
		CENTAURO 1000	1000	1996	1999	R
		CALIFORNIA 1100	1100	1997	2001	R
		California 1100 90	1100	2012		R
		California 1100 Aquila Nera	1100	2009	2011	R
		California 1100 Classic Touring	1100	2006	2008	R
		California 1100 Vintage	1100	2006	2012	R
		CENTAURO 1100 V11 SPORT	1100	1999	2000	R
		QUOTA 1100 ES	1100	1999	2001	F
		GRAN PASSO 1200 / H83	1200	2010		F
		SCRAMBLER 1200	1200	2010		F
		California 1400 Custom	1400	2013		R
		California 1400 Touring	1400	2013		R
	MOTO MORINI	Gransasso 1200 / H83	1200	2008		F
		Scrambler 1200	1200	2008		F
	TRIUMPH	THUNDERBIRD 1600	1600	2009		R
		THUNDERBIRD COMANDER	1700	2014		R
		THUNDERBIRD LT	1700	2014		R
		THUNDERBIRD NIGHT STORM	1700	2015		R
		THUNDERBIRD STORM 1700	1700	2011		R
		ROCKET III ROADSTER	2294	2010		R
		ROCKET X	2294	2015		R
		ROCKET 2300 /Rocket III Classic/Touring/Roadster	2300	2004		R
	VICTORY	Hammer		2005	2007	R
		Hammer S			2007	R
		King Pin		2004	2007	R
		King Pin Tour		2004	2007	R
		Ness Signature Series		2005	2007	R
		V92SC		2000	2003	R
		Vegas		2003	2007	R
		Vegas 8-Ball		2005	2007	R
		Vegas Jackpot		2006	2007	R
		V92C (All models single front rotor)	1500	1998	2003	R
	YAMAHA	XT 660 R	660	2004		F
FDB2007	APRILIA	SVX VD8 450/550 Replica	450	2007		F
	DUCATI	748 RACING CLIENTI	748	1995	1997	F
		880 RACING	880	1994	1995	F
		916 RACING CLIENTI	916	1995	1998	F
FDB2008	HONDA	RS 250 R	250	1995		F
FDB2012	CFMOTO	650NK Right	650	2012	2014	R
		650TK Right	650	2013	2014	R
		650TR Right	650	2013	2014	R
	KAWASAKI	ZR 400 ZEPHYR	400	1993	1995	R
		ZRX 400	400	1998		R
		ZRX 400 (ZR 400 E2)	400	1999	2001	R
		ZXR 400	400	1994		R
		ZZR 400	400	1993		R
		ZR 550 ZEPHYR	550	1993	1999	R
		ZX 6RR (ZX 599 B1)	599	2003	2006	R
		ZX 6RR (ZX 599 B1) - Racing Applications	599	2003	2006	R
		ZX 6R 600 NINJA	600	1994	1997	R
		ZX 6R 600 NINJA	600	1998	2001	R
		ZX 6R 600 NINJA	600	2007		R
		ZX 6R 600 NINJA (Racing Applications)	600	1998	2001	R
		ZZR 600	600	1993		R
		ZX 6R (ZX 636 K1)	636	2003	2006	R
		ZX 6R (ZX 636 K1) - Racing Applications	636	2003	2006	R
		ER-6 650 F / N (right)	650	2005		R
		KLE VERSYS 650 (left) NO ABS&ABS	650	2007	2010	R
		KLE VERSYS 650 (left) NO ABS&ABS	650	2011		R
		Z 750 / Z 750 S (left)	750	2004	2006	R
		X-9 R 900 NINJA	900	1994	1995	R
		ZX-9R 900 R NINJA (B1 - B2)	900	1994	1995	R
		ZX-9R 900 R NINJA (B1 - B2)	900	1996	1997	R
		ZX-9R 900 R NINJA (B1 - B2)	900	1998	1999	R
		ZX-9R 900 R NINJA (B3 - B4) (C1 - C2) (E1 - E2)	900	2000	2001	R
		ZX-9R 900 R NINJA (Racing Applications)	900	1996	1997	R
		ZX-9R 900 R NINJA (Racing Applications)	900	1998	1999	R
		ZX-9R 900 R NINJA (Racing Applications)	900	2000	2001	R
		ZX-9R 900 R NINJA (Racing Applications)	900	2002	2004	R
		Z 1000 (ZR 1000 A1)	1000	2003	2006	R
		Z 1000 / ABS / SX	1000	2010		R
		Z 1000 / SE	1000	2012		R
		Z 1000 SX	1000	2012		R



CC FROM TO FRONT / REAR

Code	Brand	Model	CC	FROM	TO	FRONT / REAR
		Z1000	1000	2014		R
		ZX-10R 1000	1000	2004	2007	R
		ZX-10R 1000	1000	2008	2010	R
		ZX-10R 1000 - Racing Applications	1000	2004		R
		GPZ 1100 (left)	1100	1995	1997	R
FDB2013	KAWASAKI ATV	KSF 250 A8 - A9	250	1994	1995	F
		KSF 250 MOJAVE A Series	250	1987	2005	F
		KXF 250 Tecate	250	1987	1988	F
		KXF 250 Tecate	250	1989		F
		KEF 300 LAKOTA A Series, LAKOTA SPORT B Series	300	1995	2003	F
	SUZUKI ATV	LT 230 EH/EJ/EK/EL/EM/EN/EP	230	1986	1993	F
		LT 230 S QUADSPORT	230	1985	1988	F
		LT 230 S QUADSPORT	230	1989		F
		LT 250 R	250	1985	1986	F
		LT 250 R	250	1987	1992	F
		LT 250 S	250	1989	1990	F
		LT 500 R	500	1987	1990	F
FDB2014	YAMAHA 3 WHEELERS	YT 125 G/H/J/K/L/N	125	1980	1985	R
		YT 175 J/K	175	1982	1983	R
		YTM 200 EK/EL	200	1983	1984	R
		YTM 200 ERN	200	1985	2000	R
		YTM 200 K/L/N	200	1983	1985	R
		YTM 225 DRN/DRS	225	1985	1986	R
		YTM 225 DXK/DXL/DXN	225	1983	1985	R
	YAMAHA ATV	YFM 200 (Moto 4)	200	1985	1989	R
		YFM 225 (Moto 4)	225	1986	1988	R
		YFM 250 W/A/B	250	1989	1991	R
		YFM 350 ER E/F/G	350	1993	1995	R
		YFM 350 ER W/A/D	350	1989	1992	R
		YFM 350 ERT/ERU	350	1987	1988	R
		YFM 350 FW T/U	350	1987	1988	R
		YFM 350 FW T/U BIG BEAR	350	1987	1988	R
		YFM 350 FW W/A/B/D/E/F/G BIG BEAR	350	1989	1995	R
	YAMAHA SNOWMOBILE	EXCEL V		1979	1980	F
		EXCITER		1976	2000	F
		GPX (All Models)		1974	1975	F
		OVATION		1989	1993	F
		PHAZER		1984	1993	F
		SNO-SCOOT		1989	1991	F
		SPV		1980	1991	F
		SSR		1978	2000	F
		V-MAX		1983	1991	F
		XL-V		1985	1990	F
		SS 440	440	1980	1993	F
		VK X 440	440	1989	1991	F
FDB2015	KAWASAKI	KLE 250 ANHELO	250	2000	2002	R
	YAMAHA	DT 50 LCD	50	1996	1998	F
		YZ 80	80	1986	1992	F
		YZ 80	80	1993	2001	F
		YZ 85 LW	85	2002		F
		TT-R 125 LW	125	2000	2012	F
FDB2016	ARCTIC CAT ATV	400 DVX	400	2004	2008	R
	HYOSUNG ATV	RAPIER 450 /S	450	2008		F/R
	KAWASAKI ATV	KSF 400 / KFX 400	400	2004	2006	R
		KSF 450 / KFX 450	450	2007		R
	SUZUKI ATV	LT 250 R	250	1987	1992	R
		LT-Z 400 QUADSPORT	400	2003	2012	R
		LT-A 450 KING QUAD (left)	450	2007	2009	R
		LT-R 450 K/Z (left)	450	2006		R
		LT-R 450 Z Quad Racer (right)	450	2008		R
		LT 500 R	500	1987	1990	R
		LT-A 500 KING QUAD Power Steering 4x4 (left)	500	2009	2012	R
		LT-A 700 KING QUAD (left)	700	2005	2007	R
		LT-A 750 KING QUAD (left)	750	2008	2010	R
FDB2017	YAMAHA ATV	YFS 200 BLASTER	200	1988	2002	R
FDB2018	ALFER	AR 250	250	1993		F
		NO LIMITS 250	250	1995		F
		VR 250	250	1994		F
		VR 250 ENDURO	250	1995		F
		VR 250 MOTOCROSS	250	1995		F
		VR 250 SUPERMOTARD	250	1999		F
	APRILIA	MX 125	125	2004		F
		RX 125	125	1995		F
		RX 125 (AJP Calipers Front & Rear)	125	2008	2012	F
		RX 125 (Brembo Front & Gremica Rear caliper)	125	2008	2012	F
		SX 125	125	2008		F
		SRV 850 ABS ATC	850	2013		F
		RST FUTURA 1000	1000	2001		R



CC FROM TO FRONT / REAR

...FDB2018

Model	CC	FROM	TO	FRONT / REAR
ATK (USA)	B	all models 1996-01	1996 2001	F
BENELLI	B	BX Motard (250cc)	250 2012	F
	B	BX Cross (449cc)	449 2007 2012	F
	B	BX Enduro (505cc)	505 2008 2012	F
BMW	B	G450 X	450 2008	F
	B	R nineT	1170 2014	R
CAGIVA	B	ELEFANT 750	750 1994	R
CCM	B	604 E 600 SPORT	600 1999	F
	B	604 E 600 SUPERMOTO	600 1999	F
	B	C 25 600	600 1996	F
	B	604 RS ROADSTER	604 2000	F
DERBI	B	GP800	800 2010 2010	F
	B	GP800	800 2011	F
DUCATI	B	MULTISTRADA 620 (twin disc)	620 2005 2006	F
	B	MULTISTRADA DARK 620	620 2003 2005	F
	B	MONSTER 695	695 2006 2008	F
	B	MONSTER S2R 800	800 2007	F
	B	MULTISTRADA 1200S (Racing version pad)	1198 2015	R
	B	MULTISTRADA 1200S (Road version pad)	1198 2015	R
	B	MULTISTRADA 1200S D air (Racing version pad)	1198 2015	R
	B	MULTISTRADA 1200S D air (Road version pad)	1198 2015	R
GASGAS	B	ENDURCROSS 80	80 1994	F
	B	CROSS 125	125 1994	F
	B	EC / MC 125	125 1996 1999	F
	B	ENDURCROSS 125	125 1994	F
	B	TT 125	125 1995	F
	B	TT 125 ENDURCROSS	125 1993	F
	B	CROSS 250	250 1995	F
	B	EC / MC 250	250 1996 1999	F
	B	ENDURCROSS 250	250 1995	F
	B	TT 250	250 1995	F
	B	EC / MC 300	300 1996 1999	F
GASGAS ATV	A	WILD HP 50	50 2002 2005	F/R
	A	HP 125	125 2007 2008	F/R
	A	HP 200	200 2008	F/R
	A	WILD HP 240	240 2002 2005	F/R
	A	WILD HP 250	250 2008	F/R
	A	HP 300 RV	300 2006	F/R
	A	WILD HP 300	300 2002 2005	F/R
	A	WILD HP 450	450 2002 2008	F/R
	A	WILD HP 515	515 2009	F/R
GILERA	B	NEXUS 500	500 2004	F
	B	GP800	800 2008	F
HARLEY DAVIDSON	B	XG 500 Street	549 2014 2015	F/R
	B	XG 750 Street	749 2014 2015	F/R
HUSABERG	B	FC 501	50 1998	F
	B	FE 501 S - E	50 1998	F
	B	FE 350 / 450 / 550 / 650 / E	350 1995	F
	B	FC 400	400 1999	F
	B	FE 400 S - E	400 1998	F
	B	FE 450	450 2003 2006	F
	B	500 all models	500 1993 1995	F
	B	500 all models	500 1996	F
	B	FC 350 / 450 / 550	550 1995	F
	B	FE 550 E Strada	550 2008	F
	B	FE 570	570 2009	F
	B	FC 600 SUPERMOTARD	600 1998	F
	B	FE 600 S - E - R	600 1998	F
	B	FE 650 E	650 2006 2008	F
HUSQVARNA	B	125 ALL MODELS 1994-1995	125 1994 1995	F
	B	CR 125	125 1996 2004	F
	B	CR 125	125 2005 2013	F
	B	ENDURO WR 125	125 2010	F
	B	SM 125 S	125 2002 2011	F
	B	SM 125 S (4T)	125 2011	F
	B	SM 125 S SUPERMOTARD	125 1998 1999	F
	B	TC 125 (2T)	125 2014	F
	B	TE 125	125 2007 2010	F
	B	TE 125 (2T)	125 2014	F
	B	TE 125 (4T)	125 2011 2013	F
	B	WR 125	125 1998 2005	F
	B	WR 125	125 2006 2013	F
	B	WRE 125	125 2000 2013	F
	B	WRE 125 / DUAL	125 1994 1999	F
	B	250 ALL MODELS 1994-1995	250 1994 1995	F
	B	CR 250	250 1996	F
	B	CR 250	250 2005 2007	F
	B	FC 250 (4T)	250 2014	F



CC FROM TO FRONT / REAR

Model	CC	FROM	TO	FRONT / REAR
FE 250 (2T)	B	250	2014	F
SMS 250	B	250	2011	F
TC 250	B	250	2002 2003	F
TC 250	B	250	2005 2008	F
TC 250 (2T)	B	250	2014	F
TC 250 (4T)	B	250	2009 2013	F
TC 250 R	B	250	2013	F
TE 250 (2T)	B	250	2014	F
TE 250 (4T)	B	250	2002 2005	F
TE 250 (4T)	B	250	2006 2013	F
TE 250 Meo Replica (4T)	B	250	2011 2011	F
TE 250 R (4T)	B	250	2013	F
WR 250	B	250	1995 2008	F
WR 250 (2T)	B	250	2009 2013	F
TE 300 (2T)	B	300	2014	F
WR 300 (2T)	B	300	2009 2013	F
TE 310	B	310	2010 2013	F
TE 310 R (4T)	B	310	2013	F
FC 350 (4T)	B	350	2014	F
FE 350 (4T)	B	350	2015	F
TE 350	B	350	1996	F
WR 360 ENDURO	B	360	1998 1999	F
TE 400 E DUAL - ENDURO	B	400	1998	F
TE 410 E	B	410	2000	F
TC 449	B	449	2011 2013	F
TE 449	B	449	2011 2013	F
FC 450 (4T)	B	450	2014	F
FE 450 (4T)	B	450	2014	F
TC 450	B	450	2003 2004	F
TC 450	B	450	2005 2010	F
TE 450	B	450	2003 2005	F
TE 450	B	450	2006 2008	F
TE 450 (4T)	B	450	2009 2010	F
FE 501 (4T)	B	501	2014	F
TC 510	B	510	2004 2004	F
TC 510	B	510	2005 2009	F
TE 510	B	510	2004 2005	F
TE 510	B	510	2006 2010	F
TC 511	B	511	2011	F
TE 511 (4T)	B	511	2011 2012	F
TE 570	B	570	2004	F
LT 600 DUAL	B	600	1998	R
TE 600	B	600	1996	F
TE 600 E DUAL - ENDURO	B	600	1998	F
TC 610	B	610	1996	F
TE 610 E	B	610	1995 2000	F
TE 610 E	B	610	2003 2004	F
TE 610/IE	B	610	2006 2009	F
TE 630	B	630	2010 2012	F
Silverblade 125/150/250		125	2007	F
KXM 200	B	200	2014	F
KXV 200	B	200	2014	F
125 all models	B	125	1992 1993	F/R
125 EXC (2T)	B	125	1998 2003	F
125 EXC (2T)	B	125	2004	F
125 EXC Six Days (2T)	B	125	2011	F
125 SX	B	125	2004	F
EXE 125	B	125	2000 2003	F
LC2 125	B	125	1998	F
SX 125	B	125	1996 2002	F
SX 125	B	125	2003	F
150 SX	B	150	2008	F
200 EXC (2T)	B	200	1998 2003	F
200 EXC (2T)	B	200	2004	F
EGS 200	B	200	1998	F
SX 200	B	200	2003	F
250 all models	B	250	1992 1993	F/R
250 all models	B	250	1994 1995	F
250 EXC (2T)	B	250	1998 2003	F
250 EXC (2T)	B	250	2004	F
250 EXC (2T)	B	250	2011	F
250 EXC Six Days (2T)	B	250	2007	F
250 EXC-F (4T)	B	250	2011	F
250 EXC-F Six Days (4T)	B	250	2011	F
250 SX (2T)	B	250	1994 2002	F
250 SX (2T)	B	250	2003	F
250 SX-F (4T)	B	250	2006	F
MX 250	B	250	2003	F
Superenduro 250 - S	B	250	2008	F/R

B = Bike
A = ATV
S = Snowmobile

FERODO
MOTORCYCLE PADS
Updated on 9th Oct 2015

B = Bike
A = ATV
S = Snowmobile

3035



CC FROM TO FRONT / REAR

...FDB2018

	CC	FROM	TO	FRONT / REAR
B	300	1994	1995	F
B	300	2000	2003	F
B	300	2004		F
B	300	2011		F
B	300	2004		F
B	350	2011		F
B	350	2012		F
B	350	2011		F
B	350	2011		F
B	350	2011		F
B	350	1993		F
B	380	1998		F
B	400	2006		F
B	400	1998		F
B	400	2000		F
B	400	1998		F
B	450	2003	2004	F
B	450	2004		F
B	450	2011		F
B	450	2007		F
B	450	2003		F
B	450	2003		F
B	500	1993	1993	F/R
B	500	1994	1995	F
B	500	1998	2011	F
B	500	2012		F
B	500	2012		F
B	500	2012		F
B	525	2003		F
B	540	1998		F
B	600	1992		F
B	600	1998		F
B	620	1998		F
B	620	1998		F
B	640	1998	1999	F
B	640	1998		F
B	640	1998		F
B	650	2004		F
B	950	2006	2008	R
B	950	2003		R
B	950	2005		R
B	990	2008		R
B	990	2008		R
B	990	2008	2009	R
B	990	2010		R
B	990	2010		R
B	990	2009		R
B	1050	2015		R
B	1190	2013		R
B	1190	2013		R
B	1300	2015		R
B	250	1998		F
B	500	1998		F
B	125	2001	2003	F
B	125	1998	2000	F
B	125	2001		F
B	125	2001		F
B	150	2001	2003	F
B	150	2000	2002	F
B	150	2001	2002	F
B	180	2004		F
B	300	2003		F/R
B	850	2007		R
B	850	2007		R
B	940	2007	2012	R
B	1000	2007		R
B	1100	2005	2007	R
B	1100	2005	2008	R
B	1100	1999	2001	R
B	1200	2008	2009	R
B	1200	2008	2013	R
B	1200	2010		R
B	1200	2010		R
B	1200	2010		R
B	1200	2007	2013	R
B	1200	2006	2008	R
B	1200	2010		R
B	1200	2010		R

MAICO

MBK

MOTO GUZZI



CC FROM TO FRONT / REAR

	CC	FROM	TO	FRONT / REAR
B	1200	2008	2011	R
B	1200	2011		R
B	1200	2011		R
B	1200	2009	2010	R
B	1200	2010		R
B	1200	2008		R
B	1200	2008		R
B	400	2007	2007	F
B	500	2003		F
B	500	2007		F
B	250	2010		F
B	250	2010		F
B	250	2008	2011	F
B	250	2012		F
B	250	2012		F
B	250	2013		F
B	250	2013		F
B	250	2008		F
B	250	2010		F
B	300	2010	2011	F
B	300	2012		F
B	300	2012		F
B	300	2013		F
B	300	2013		F
B	450	2004	2011	F
B	450	2012	2013	F
B	450	2015		F
B	450	2004	2010	F
B	510	2007	2011	F
B	510	2012	2013	F
B	510	2007		F
B	80	2002	2004	F
B	80	1996	2001	F
B	80	1996	2000	F
B	80	2005	2007	F
B	80	2002	2004	F
B	85	2002	2004	F
B	85	1996	2001	F
B	85	2005	2007	F
B	85	2002	2004	F
B	85	2002	2004	F
B	85	2005		F
B	85	2002	2004	F
B	85	2005		F
B	100	2002	2004	F
B	100	2005	2007	F
B	100	2002	2004	F
B	125	1995	2000	F
B	125	1995	2000	F
B	125	2001	2004	F
B	125	2005		F
B	125	2005	2008	F
B	125	2004		F
B	125	2005		F
B	144	2008		F
B	144	2008		F
B	250	1995	2000	F
B	250	1995	2000	F
B	250	2005		F
B	250	2015		F
B	250	2001	2004	F
B	250	2005		F
B	250	2001	2004	F
B	250	2005		F
B	300	1995	2000	F
B	300	1995	2000	F
B	300	2001	2004	F
B	300	2005		F
B	400	2002	2003	F
B	400	1995	2000	F
B	450	2008	2004	F
B	450	2005		F
B	450	2015		F

MOTO MORINI

PIAGGIO

RIEJU

SHERCO

TM



CC FROM TO FRONT / REAR

...FDB2018

YAMAHA	B	MX 450 F (4T)	450		2004	F		
	B	MX 450 F - USA version	450	2005	2008	F		
	B	MX 450 Fi (4T)	450	2005		F		
	B	530 Cross (4T)	530	1998	2000	F		
	B	EN 530 F (4T)	530		2004	F		
	B	EN 530 Fi (4T)	530	2005		F		
	B	MX 530 F	530		2004	F		
	B	MX 530 F	530	2005		F		
	B	MAXTER 125	125	2001	2003	F		
	B	XQ 125 N MAXSTER	125	2001	2003	F		
	B	YP 125 MAJESTY	125	1998	2000	F		
	B	YP 125 MAJESTY	125	2001	2009	F		
	B	YZF-R 125	125	2008	2013	F		
	B	YP 150 MAJESTY	150	2001	2003	F		
	B	VERSITY 300	300	2004		F/R		
	B	TT 600	600	1993		F		
	B	TT 600 R	600	1998	1999	F		
	B	TT 600 R (SPORTKIT)	600	1994	1997	F		
	B	TT 600 RE	600	2004		F		
	B	TT-R 600 R	600	2000	2003	F		
	B	XT 660 Z TENERE (Non ABS)	660	2008		F		
	B	XT 660 ZA TENERE (ABS)	660	2011	2011	F		
	FDB2036	BUELL	B	M2 Cyclone, S1 Lightning-WhiteLightning, S3-S3T Thunderbolt, X1 Lightning	1998	2002	F	
			B	M2 Cyclone, X1 Lightning	2000	2005	F	
		HONDA	B	CB 1300 SF	1300	1998	2000	F
		KAWASAKI	B	ZX-7 750 RR NINJA N1	750	1996	1999	F
			B	ZRX 1100	1100	1996	2000	F
		MV AGUSTA	B	F4 750 Brutale	750	1999		F
			B	BRUTALE 910 / Hydrogen	910	2007		F
		B	F4 1000	1000	2003	2005	F	
FDB2037	PIAGGIO	B	SFERA 50 RST	50	1995	1997	F	
		B	SFERA 125	125	1995	1997	F	
FDB2039	BMW	B	R 850 C	850	1999	2000	R	
		B	R 850 GS	850	1999	2000	R	
		B	R 850 R	850	2001		R	
		B	R 850 R ROADSTER	850	1995	2000	R	
		B	R 850 RT	850	2002	2003	R	
		B	R 1100 GS (ABS)	1100	1994	1999	R	
		B	R 1100 R ROADSTER	1100	1995	2000	R	
		B	R 1100 RT (ABS)	1100	1995	2001	R	
		B	R 1100 S (no ABS)	1100	2001		R	
		B	R 1100 S ABS	1100	2001		R	
		B	R 1150 GS	1150	1998	2001	R	
		B	R 1150 GS	1150	2001		R	
		B	R 1150 GS ADVENTURE	1150	2003		R	
		B	R 1150 R / ROCKSTER	1150	2001		R	
		B	R 1150 R ROADSTER	1150	2001		R	
		B	R 1150 RS / RT	1150	2002		R	
		B	R 1150 RT	1150	2001		R	
		B	HP2 Enduro 1200	1200	2007		R	
		B	HP2 Megamoto 1200	1200	2008		R	
		B	HP2 Sport 1200 (Racing version pad)	1200	2008		R	
		B	HP2 Sport 1200 (Road version pad)	1200	2008		R	
		B	K 1200 GT	1200	2007		R	
		B	K 1200 RT	1200	2008		R	
		B	K 1200 S / R	1200	2004		R	
		B	R 1200 C	1200	1997	2000	R	
		B	R 1200 C CLASSIC	1200	2003		R	
		B	R 1200 C MONTAUK	1200	2004		R	
		B	R 1200 GS & GS Adventure all models	1200	2004	2012	R	
		B	R 1200 R	1200	2007		R	
		B	R 1200 S / ST / RT	1200	2007		R	
		B	K 1300 GT	1300	2009		R	
		B	K 1300 R	1300	2009		R	
		B	K 1300 S	1300	2009		R	
		B	K 1300 S Motorsport	1300	2015		R	
	MOTO GUZZI	B	CALIFORNIA (all models)	1000	2001	2006	R	
FDB2040	INDIAN	B	Chief All models Chief/Deluxe/Springfield/Roadmaster/Vintage		2002	2008	F/R	
		B	Road Master/Vintage		2002	2008	F/R	
		B	Scout All models Scout/Deluxe/Springfield		2002	2008	F/R	
		B	Spirit All models Deluxe/Springfield/Roadblaster		2002	2008	F/R	
FDB2042	APRILIA	B	RS 250	250	1998		F	
		B	PEGASO 650 STRADA	650	2004		F	
		B	RST FUTURA 1000	1000	2001		F	
		B	RSV 1000 MILLE	1000	1997	2000	F	
		B	RSV 1000 MILLE R / SP	1000	2000		F	
		B	RSV 1000 TUONO	1000	2004		F	
		B	SL 1000 FALCO	1000	2000		F	



CC FROM TO FRONT / REAR

BENELLI	B	666 125	125	1998		F	
	B	2 UE 750	750	2009	2010	F	
	B	TORNADO NAKED TRE 899 / S	899	2007	2011	F	
	B	TRE 899 K	899	2007	2012	F	
	B	900 TORNADO	900	2000		F	
	B	TNT 1130	1130	2005		F	
	B	TRE-K 1130	1130	2007	2012	F	
	B	TRE-K 1130 Amazonas	1130	2007	2012	F	
	BIMOTA	B	SB8K Gobert (Suzuki Engine) (996cc)	996	2006		F
		B	SB 8 1000 R	1000	1998		F
	BMW	B	G 650 X Moto	650	2008		F
B		F800 GT	800	2013		F	
CAGIVA	B	F800 S / ST / R	800	2007		F	
	B	RAPTOR 650 / 650 i.e.	650	2001		F	
DUCATI	B	V RAPTOR 650	650	2001		F	
	B	RAPTOR 1000	1000	2000		F	
	B	RAPTOR V 1000	1000	2001		F	
	B	RAPTOR XTRA 1000	1000	2003		F	
	B	400 MONSTER (JAPAN)	400	2000		F	
	B	M 600 MONSTER	600	2000		F	
	B	M 600 MONSTER	600	2001	2002	F	
	B	M 620 MONSTER	620	2002	2003	F	
	B	M 620 MONSTER DARK (single/twin disc)	620	2003		F	
	B	MULTISTRADA 620 DARK (single disc)	620	2005	2006	F	
	B	SPORT 620	620	2003		F	
	B	MONSTER 696	696	2008	2013	F	
	B	748 BIPOSTO	748	1998		F	
	B	748 RACING CLIENTI	748	1998		F	
	B	748 SPS	748	1998		F	
	B	750 SPORT	750	2001	2002	F	
	B	750 SUPERSPORT	750	1998	2002	F	
B	M 750 MONSTER	750	2000		F		
B	M 750 MONSTER	750	2001	2002	F		
B	HYPERMOTARD 796	796	2010		F		
B	MONSTER 796 (ABS Std)	796	2011	2013	F		
B	800 SUPERSPORT	800	2003		F		
B	MONSTER 800	800	2003	2006	F		
B	848	848	2008		F		
B	Streetfighter 848	848	2014		F		
B	FE 900 SUPERSPORT	900	1998		F		
B	M 900 MONSTER	900	2001		F		
B	M 900 MONSTER I.E.	900	2000		F		
B	916 ST2	916	2001	2002	F		
B	916 STRADA	916	1998		F		
B	916 SUPERSPORT 4	916	1998		F		
B	M 916 MONSTER S4	916	2001	2002	F		
B	944 ST2	944	1997	2002	F		
B	944 ST4	944	1999		F		
B	944 SUPERSPORT 2	944	1998	2002	F		
B	ST3 992	992	2004		F		
B	996 BIPOSTO	996	1999		F		
B	996 SPS / S	996	1998		F		
B	ST4 / ST4 ABS 996	996	2001		F		
B	998 BIPOSTO	998	2002		F		
B	998 S	998	2002		F		
B	MONSTER 1000	1000	2003	2006	F		
B	MONSTER S2R 1000	1000	2007		F		
B	MONSTER S2R 1000	1000	2008		F		
B	MONSTER S4R / S4RS 1000	1000	2008		F		
B	MULTISTRADA 1000 / 1000 DS / 1000S DS	1000	2003	2006	F		
B	SUPERSPORT 1000 DS	1000	2003		F		
B	HYPERMOTARD 1100	1100	2007		F		
B	HYPERMOTARD 1100 EVO	1100	2010		F		
B	MONSTER 1100 / 1100 S	1100	2009		F		
B	MULTISTRADA 1100 / 1100 S / S Touring / S Sport	1100	2007		F		
B	MULTISTRADA 1200	1198	2014		F		
B	MULTISTRADA 1200S Granturismo (ABS Std)	1198	2014		F		
B	MULTISTRADA 1200S Pikes peak (ABS Std)	1198	2014		F		
B	MULTISTRADA 1200S Touring (ABS Std)	1198	2010		F		
HUSQVARNA	B	LT 600 DUAL	600	1998		F	
	B	SM 600 SUPERMOTARD	600	1998		F	
	B	LT 610	610	2000	2000	F	
	B	SM 610 (6 bolt front disc)	610	1998	1999	F	
	B	SM 610 R	610	2000	2011	F	
	B	SM 610/S (4 bolt front disc)	610	2002	2006	F	
	KTM	B	625 SMC LC4	625	2005		F
		B	LC4 640 DUKE II	640	2000		F
		B	660 SMC	660	2004		F

B = Bike
A = ATV
S = Snowmobile

B = Bike
A = ATV
S = Snowmobile



CC FROM TO FRONT REAR



CC FROM TO FRONT REAR

...FDB2042

		CC	FROM	TO	FRONT	REAR
MOTO GUZZI	B LC4 660 SUPERMOTO	660	2003		F	
	B 690 DUKE (ABS Std)	690	2012		F	
	B 690 SM	690	2007		F	
	B 1050 ADVENTURE (ABS Std)	1050	2015		F	
	B 1190 ADVENTURE (ABS Std)	1190	2013		F	
	B 1190 ADVENTURE R (ABS Std)	1190	2013		F	
	B 1290 SUPER ADVENTURE	1300	2015		F	
	B BREVA 750 IE	750	2003	2011	F	
	B SP 750 NEVADA CLUB / CLASSIC I.E./ Aquila Nera	750	2002		F	
	B V7 Cafe Classic	750	2009	2012	F	
	B V7 Classic	750	2008	2012	F	
	B V7 II Racer	750	2012		F	
	B V7 II Special	750	2012		F	
	B V7 II Stone	750	2012		F	
	B V7 Racer	750	2010	2011	F	
	B BREVA V 850	850	2007		F	
	B GRISO 850	850	2007		F	
	B CALIFORNIA (all models)	1000	2001	2006	F	
	B CALIFORNIA Classic / Vintage	1000	2007		F	
	B LE MANS V 11	1064	2001		F	
	B BREVA V 1100	1100	2004		F	
	B BREVA V 1100 (Std/ABS Models)	1100	2005	2007	F	
	B California 1100 90	1100	2012		F	
	B California 1100 Aquila Nera	1100	2009	2011	F	
	B California 1100 Classic Touring	1100	2006	2008	F	
	B California 1100 Vintage	1100	2006	2012	F	
	B GRISO 1100	1100	2005	2008	F	
	B 1200 GT	1200	2010		F	
	B BREVA 1200	1200	2008	2009	F	
	B BREVA 1200 SPORT	1200	2008	2013	F	
	B CORSARO Avio / Veloce	1200	2010		F	
	B GRISO SE 1200 8V	1200	2007	2013	F	
	B NORGE 1200	1200	2006	2008	F	
	B NORGE 1200 GT 8V ABS	1200	2010		F	
	B STELVIO 1200	1200	2008	2011	F	
B STELVIO 1200 8V ABS	1200	2011		F		
B STELVIO 1200 8V NTX	1200	2011		F		
B STELVIO 1200 NTX ABS	1200	2009	2010	F		
B California 1400 Custom	1400	2013		F		
B California 1400 Touring	1400	2013		F		
MOTO MORINI	B 939844	998	2006		F	
	B 1200 SPORT	1200	2008		F	
	B Corsaro Veloce / Corsaro 1200 / Corsaro Avio	1200	2005		F	
MV AGUSTA	B MM3	1200	2007		F	
	B 675 - F3	675	2012		F	
	B 675 - Brutale	675	2012		F	
	B BRUTALE DRAGSTER 800	800	2015		F	
	B BRUTALE DRAGSTER 800 RR	800	2015		F	
B 920 - Brutale	920	2011	2012	F		
B BRUTALE 989 R	989	2008		F		
B BRUTALE 990 R	990	2010		F		
SCORPA	B Raidster 660	660	2007		F	
	B GSX 1200	1200	1999	2000	F	
TRIUMPH	B THRUXTON 900 (Front Brembo caliper)	900	2008		F	
URAL	B RETRO 750	750	2005		F	
YAMAHA	B XT 660 X Supermoto	660	2004		F	
	B XJR 1200	1200	1995	1998	F	

FDB2048

		CC	FROM	TO	FRONT	REAR
CFMOTO	B 650NK Left	650	2012	2014	F	
	B 650TK Left	650	2013	2014	F	
KAWASAKI	B 650TR Left	650	2013	2014	F	
	B VN 400 CLASSIC	400	1999		F	
	B ER-5 500 (ER)	500	2001		F	
	B ER-6 650 F / N (left)	650	2005		F	
	B KLE VERSYS 650 (left) NO ABS&ABS	650	2007	2010	F	
	B KLE VERSYS 650 (left) NO ABS&ABS	650	2011		F	
	B KLR 650	650	1995		F	
	B Z 750 / Z 750 S (left)	750	2004	2006	F	
	B ZR 750 ZEPHYR	750	1996		F	
	B ZR-7 750 (left)	750	1999		F	
	B ZR-7S 750 (left)	750	2001		F	
	B VN 800 CLASSIC	800	1996		F	
	B VN 800 DRIFTER	800	1999	2003	F	
	B VN 900 CLASSIC / CUSTOM /LIGHT TOURER	900	2006		F	
	B GPZ 1100 (left)	1100	1995	1997	F	
	B ZR 1100 ZEPHYR	1100	1997	2000	F	
	B ZR 1100 ZEPHYR (left)	1100	1996	1997	F	
	B VN 1500 CLASSIC FI	1500	1999		F	
B VN 1500 CLASSIC TOURER (left)	1500	1999		F		

		CC	FROM	TO	FRONT	REAR
SUZUKI	B VN 1500 D1/D2 CLASSIC	1500	1996	1998	F	
	B VN 1500 DRIFTER	1500	1999	2003	F	
	B VN 1600 CLASSIC (left)	1600	2003		F	
	B VN 1600 CLASSIC TOURER (left)	1600	2005		F	
	B VN 1700 Classic&Classic Tourer (right)	1700	2009	2009	F	
	B GSF 600 BANDIT (left)	600	2000		F	
	B GSF 600 BANDIT - KATANA (left)	600	1998		F	
	B DL V-STROM 650 A XT ABS -Left	650	2015		F	
	B DL V-STROM 650 AK ABS -Left	650	2007	2011	F	
	B DL V-STROM 650 AL ABS -Left	650	2012		F	
	B DL V-STROM 650 XK NO ABS -Left	650	2007	2011	F	
	B DL V-STROM 650AK GT Traveller ABS -Left	650	2007	2011	F	
	B DL V-STROM 650AL XP Xpedition ABS -Left	650	2011	2011	F	
	B GSF 650 (Naked Bandid -Non ABS) right	650	2005	2006	F	
	B GSF 650 A (Naked Bandid -ABS) right	650	2005	2006	F	
	B GSF 650 S (Faired Bandid -Non ABS) right	650	2005	2006	F	
	B GSF 650 SA (Faired Bandid -ABS) right	650	2005	2006	F	
	B SV 650 (Naked - Non ABS) - left	650	1999	2002	F	
	B SV 650 (Naked - Non ABS) - left	650	2003	2010	F	
	B SV 650 A (Naked - ABS) - left	650	2007	2010	F	
	B SV 650 S (Top Fairing - Non ABS) - left	650	1999	2002	F	
	B SV 650 S (Top Fairing - Non ABS) - left	650	2003	2012	F	
	B SV 650 SA (Top Fairing - ABS) - left	650	2007	2013	F	
	B SVF GLADIUS 650 (Left) NO ABS	650	2009		F	
	B SVF GLADIUS 650 ABS (Left)	650	2009		F	
	B GSR 750 ABS&NO ABS (Left)	750	2011		F	
	B GSX 750 FW/FX/FY/FK1/FK2 (left)	750	1998	2006	F	
	B GSX 750 W/X/Y/K1 (left)	750	1998		F	
	B VX 800	800	1995		F	
	B DL V-STROM 1000 NO Abs -left	1000	2002	2010	F	
	B INTRUDER C1500 (left)	1500	2005	2009	F	
	B VL 1500 K2 (left)	1500	2002	2003	F	

FDB2049

		CC	FROM	TO	FRONT	REAR	
CFMOTO	B 650NK Right	650	2012	2014	F		
	B 650TK Right	650	2013	2014	F		
	B 650TR Right	650	2013	2014	F		
	KAWASAKI	B VN 200	200	2007		R	
		B BJ 250 F1/F2 (250 TR)	250	2002	2003	F	
		B ER-6 650 F / N (right)	650	2005		F	
		B KLE VERSYS 650 (right) NO ABS&ABS	650	2007	2010	F	
		B KLE VERSYS 650 (right) NO ABS&ABS	650	2011		F	
		B W 650	650	1999		F	
		B Z 750 / Z 750 S (right)	750	2004	2006	F	
		B ZR-7 750 (left)	750	1999		R	
		B ZR-7 750 (right)	750	1999		F	
		B ZR-7S 750 (left)	750	2001		R	
		B ZR-7S 750 (right)	750	2001		F	
		B EJ800 (W 800 all model)	800	2011		F	
		B VN 800 DRIFTER	800	1999	2003	R	
		B VN 900 CLASSIC / CUSTOM /LIGHT TOURER	900	2006		R	
		B GPZ 1100 (right)	1100	1995	1997	F	
		B ZR 1100 ZEPHYR (right)	1100	1996	1997	F	
		B MEAN STREAK 1500	1500	2002	2003	R	
		B VN 1500 CLASSIC FI	1500	1999		R	
	B VN 1500 CLASSIC TOURER (right)	1500	1999		F		
	B VN 1500 DRIFTER	1500	1999	2003	R		
	B VN 1600 CLASSIC (left)	1600	2003		R		
	B VN 1600 CLASSIC (right)	1600	2003		F		
	B VN 1600 CLASSIC TOURER (left)	1600	2005		R		
	B VN 1600 CLASSIC TOURER (right)	1600	2005		F		
	B VN 1600 MEAN STREAK	1600	2004		R		
	B VN 1700 Classic&Classic Tourer (left)	1700	2009	2009	F/R		
	B VN 1700 Classic&Classic Tourer ABS	1700	2010		R		
	B VN 1700 Voyager (B/BA)	1700	2009		R		
	B VN 1700 Voyager Custom (KB)	1700	2011		R		
	B VN 2000 VULCAN / CLASSIC	2000	2004		R		
	SUZUKI	B RV 125 K2/ K3 / K4 VAN VAN	125	2002		F	
		B VAN VAN 125 (RV)	125	2010		F	
B GS 500 E - K - FK		500	1996		F		
B GSF 600 BANDIT (right)		600	2000		F		
B GSF 600 BANDIT - KATANA (right)		600	1998		F		
B DL V-STROM 650 A XT ABS -Right		650	2015		F		
B DL V-STROM 650 AK ABS -Right		650	2007	2011	F		
B DL V-STROM 650 AL ABS -Right		650	2012		F		
B DL V-STROM 650 XK NO ABS -Right		650	2007	2011	F		
B DL V-STROM 650AK GT Traveller ABS -Right		650	2007	2011	F		
B DL V-STROM 650AL XP Xpedition ABS -Right		650	2011	2011	F		
B GSF 650 (Naked Bandid -Non ABS) left		650	2005	2006	F		
B GSF 650 A (Naked Bandid -ABS) left	650	2005	2006	F			



CC FROM TO FRONT / REAR

CC	FROM	TO	FRONT / REAR
...	FDB2049		
B	GSF 650 S (Faired Bandid -Non ABS) left	650 2005 2006	F
B	GSF 650 SA (Faired Bandid -ABS) left	650 2005 2006	F
B	SV 650 (Naked - Non ABS) - right	650 1999 2002	F
B	SV 650 (Naked - Non ABS) - right	650 2003 2010	F
B	SV 650 A (Naked - ABS) - right	650 2007 2010	F
B	SV 650 S (Top Fairing - Non ABS) - right	650 2003 2012	F
B	SV 650 S (Top Fairing - Non ABS) -right	650 1999 2002	F
B	SV 650 SA (Top Fairing - ABS) - right	650 2007 2013	F
B	SVF GLADIUS 650 (Right) NO ABS	650 2009	F
B	SVF GLADIUS 650 ABS (Right)	650 2009	F
B	XF 650 FREEWIND	650 1997 2002	F
B	GSR 750 ABS&NO ABS (Right)	750 2011	F
B	GSX 750 FW/FX/FY/FK1/FK2 (right)	750 1998 2006	F
B	GSX 750 W/XY/K1 (right)	750 1998	F
B	INTRUDER C800 - spoke wheel (VL 800)	800 2006 2013	F
B	INTRUDER C800B - cast wheel (VL 800)	800 2014	F
B	INTRUDER C800C - cast wheel (VL 800)	800 2007 2013	F
B	INTRUDER M800 (VZ800)	800 2005 2013	F
B	INTRUDER M800 /T (VZ800)	800 2014	F
B	INTRUDER M800 Z (VZ800)	800 2009 2010	F
B	VL 800 INTRUDER VOLUSIA	800 2001 2005	F
B	VZ 800 MARAUDER / K7	800 1997 2003	F
B	DL V-STROM 1000 NO Abs -right	1000 2002 2010	F
B	INTRUDER C1500 (right)	1500 2005 2009	F
B	INTRUDER C1500 BT-T	1500 2013	R
B	M1500 INTRUDER	1500 2008	F/R
B	VL 1500 K2 (right)	1500 2002 2003	F
B	VZ 1600 MARAUDER	1600 2004	R
B	M 1800 R INTRUDER (VRZ)	1800 2006 2009	R
B	M 1800 R2 INTRUDER (VRZ)	1800 2008 2009	R
B	M 1800 RB INTRUDER (VZR)	1800 2014	R
B	M 1800 RZ INTRUDER (VRZ)	1800 2007 2013	R
B	VLR 1800 INTRUDER C1800 R/RT	1800 2008	R
FDB2050	BMW		
B	R 80 800 R ROADSTER	800 1993 1994	F
B	R 850 C	850 1999 2000	F
B	R 850 GS	850 1999 2000	F
B	R 850 RT	850 1998 2001	F
B	K 1 1000	1000 1989 1993	F
B	K 100 1000 RS 16 VALVES	1000 1990 1992	F
B	R 100 1000 R	1000 1991 1995	F
B	K 1100 LT (ABS)	1100 1992 1993	F
B	K 1100 RS (ABS and NOT)	1100 1994 1999	F
B	K 1100 RT (ABS)	1100 1994 1999	F
B	R 1100 GS (ABS)	1100 1994 1999	F
B	R 1100 R ROADSTER	1100 1995 2000	F
B	R 1100 RS (ABS)	1100 1994 2001	F
B	R 1100 RT (ABS)	1100 1995 2001	F
B	R 1150 GS	1150 1998 2001	F
B	R 1150 GS	1150 2001	F
B	K 1200 LT	1200 1999 2001	F
B	K 1200 RS	1200 1997 2001	F
B	K 1200 ST	1200 1999 2001	F
B	R 1200 C	1200 1997 2000	F
FDB2054	PGO ATV		
A	500 Bug Parking brake	500 2008 2009	F
POLARIS ATV			
A	BIG BOSS (All standard models)	1989 1999	R
A	SCRAMBLER (All Models)	1995 1997	R
A	SPORTSMAN (All Models)	1993 1997	R
A	TRAIL BOSS (All Models)	1988 1999	R
A	250 2x4/4x4	250 1990 1995	R
A	TRAIL BLAZER 250	250 1990 1998	R
A	300 2x4/4x4	300 1990 1995	R
A	XPLORER 300	300 1996 2000	R
A	Xpress L (All models)	300 1996 2000	R
A	L 350 2x4/4x4	350 1990 1995	R
A	Sportsman 350 4x4	350 1993	R
A	TRIAL BOSS 350 (All Models)	350 1991 1993	R
A	L 400 2x4/4x4	400 1990 1995	R
A	Sport 400	400 1994 1998	R
A	XPLORER 400	400 1995 1998	R
A	MAGNUM 425 (All Models)	425 1995 1998	R
A	XPLORER 500	500 1997 2000	R
QUADZILLA			
A	CUV 500 Side X Side Parking Brake	500 2010 2011	R
A	QZ 500 E/ES 4x4 Parking brake	500 2009 2011	F
FDB2055	POLARIS ATV		
A	BIG BOSS (All middle axle brake models)	1989 1999	F
A	BIG BOSS (All standard models)	1989 1999	F
A	MAGNUM (All models)	1999 2001	F
A	MAGNUM (All models)	2002 2006	F
A	SCRAMBLER (All Models)	1995 1997	F



CC FROM TO FRONT / REAR

CC	FROM	TO	FRONT / REAR
A	SCRAMBLER (All Models)	1998 2004	F
A	SPORTSMAN (All Models)	1993 1997	F
A	TRAIL BOSS (All Models)	1988 1999	F
A	TRAIL BOSS (All Models)	2000 2004	F
A	250 2x4/4x4	250 1990 1995	F
A	TRAIL BLAZER 250	250 1990 1998	F
A	TRAIL BLAZER 250	250 1999 2004	F
A	TRAIL BLAZER 250	250 2005 2006	F
A	XPLORER 250	250 2000	F
A	300 2x4/4x4	300 1990 1995	F
A	HAWKEYE 300 2x4	300 2006	F/R
A	HAWKEYE 300 4x4	300 2007	F/R
A	Sportsman 300 4x4	300 2008 2010	F/R
A	XPLORER 300	300 1996 2000	F
A	Xpress L (All models)	300 1996 2000	F
A	XPEDITION 325	325 2000 2001	F
A	XPEDITION 325	325 2002	F
A	ATP 330	330 2004 2005	F/R
A	Trail Blazer 330	330 2008 2010	F
A	TRAIL BOSS 330	330 2005 2010	F
A	SPORTSMAN 335	335 1999 2000	F
A	L 350 2x4/4x4	350 1990 1995	F
A	Sportsman 350 4x4	350 1993	F
A	TRIAL BOSS 350 (All Models)	350 1991 1993	F
A	L 400 2x4/4x4	400 1990 1995	F
A	Sport 400	400 1994 1998	F
A	Sport 400	400 1999 2000	F
A	SPORTSMAN 400	400 2001 2002	F
A	SPORTSMAN 400	400 2003 2005	F
A	Sportsman 400 HO 4x4	400 2008 2010	F/R
A	XPLORER 400	400 1995 1998	F
A	XPLORER 400	400 1999 2002	F
A	MAGNUM 425 (All Models)	425 1995 1998	F
A	XPEDITION 425	425 2000	F
A	Outlaw 450 (All models)	450 2008 2010	R
A	Sportsman 450	450 2006	F
A	DIESEL 455	455 1999 2001	F
A	ATP 500 HO	500 2004 2005	F/R
A	Outlaw 500	500 2006 2007	F/R
A	PREDATOR 500	500 2003 2007	F/R
A	SCRAMBLER 500 (All models)	500 2005 2010	F
A	SPORTSMAN 500	500 1998 2002	F
A	SPORTSMAN 500 6x6	500 2000 2008	F
A	SPORTSMAN 500 HO/EFI/X2/EFI Quad H.O.	500 2003 2010	F
A	Sportsman 500 Touring H.O.	500 2008 2010	F/R
A	Sportsman 500 X2 EFI	500 2007 2009	F/R
A	XPLORER 500	500 1997 2000	F
A	Outlaw 525 (All models)	525 2008 2011	R
A	SPORTSMAN 600	600 2003 2006	F
A	SPORTSMAN 700	700 2003 2007	F
A	Sportsman 700 X2	700 2008	F/R
A	Ranger 800 RZR - side by side	800 2008	R
A	Ranger 800 RZR S EFI - side by side	800 2009	R
A	Sportsman 800 EFI 6x6 Big Boss	800 2009 2010	F/R
A	SPORTSMAN 800 EFI/HO	800 2005 2010	F
A	Sportsman 800 Touring/EFI	800 2008 2009	F/R
A	Sportsman 800 X2 EFI	800 2007 2009	F/R
FDB2057	CPI		
B	GTR 50	50 2003	R
B	GTS 50 / 125 / 200	125 2002 2003	R
B	SONAR 125 (4T)	125 2010 2011	F
B	DNA 50	50 2001	R
B	RUNNER 50 SP / SKP	50 1999 2005	R
B	RUNNER 50 SP / SKP	50 2006	R
B	STALKER 50	50 1997	R
B	RUNNER 125 FX - SP	125 2000	R
B	RUNNER 180 FXR - SP	180 1999	R
A	FUOCO 500 RC/ie	500 2007	F
KEEWAY			
Cityblade 150		150 2013	R
PEUGEOT			
Tweet 50 RS (4T/Rear Disc Model)		50 2010 2012	R
City Star 125 i		125 2011 2012	R
DJANGO 125 (SPORT-ID-HERITAGE-EVASION-ALLURE)		125 2015	R
SATELIS 125		125 2013	R
SATELIS 125 RS (4T)		125 2013	R
Tweet 125 RS (4T/Rear Disc Model)		125 2010 2012	R
Tweet 150 RS (4T/Rear Disc Model)		150 2010 2012	R
City Star 200 i		200 2012	R
PGO			
Tigra125 (4T/4V)		125 2012	R
PIAGGIO			
Liberty Elettrico		2011 2012	F

B = Bike
A = ATV
S = Snowmobile

B = Bike
A = ATV
S = Snowmobile



CC FROM TO FRONT / REAR

...FDB2057

CC	FROM	TO	FRONT / REAR
B	LIBERTY 50	50 1997 2003	F
	Liberty Sport 50 2T	50 2007 2008	F
B	NRG 50 POWER DD / Silver Bullet	50 2005	R
B	NRG 50 EXTREME (Rear disc model)	50 1999 2001	R
B	NRG 50 MC2 DD	50 1998	R
B	NRG 50 MC3 DD (Rear disc model)	50 2001 2005	R
B	NRG 50 Power DD	50 2005 2013	R
B	NRG 50 Power Pure Jet	50 2004 2010	R
B	NRG 50 Silver Bullet	50 2010 2010	R
B	VESPA 50 ET2	50 1997 1998	F
B	VESPA 50 ET4	50 1999	F
	Vespa LXV 50	50 2007 2009	F
	VESPA S 50 (2T)	50 2007 2013	F
	VESPA S 50 (4T/4V)	50 2008 2013	F
	VESPA S 50 Sport (2T)	50 2011 2013	F
	VESPA S 50 Sport (4T/4V)	50 2011 2013	F
B	ZIP 50 Grimeca/Heng Tong A/C 4T	50 2000 2008	F
B	ZIP 50 SP	50 2001 2006	F
B	ZIP 50 RST	50 1996 1997	F
B	ZIP 50 RST	50 1998 1999	F
B	ZIP 50 SP	50 1996 2000	F
	Zip 100	100 2007	F
	125 ie MP3 Yourban	125 2011 2012	F
B	LIBERTY 125 (5 Spoke wheels)	125 1998 2008	F
	Liberty 125 4T 2V (10 Spoke Cast Wheels)	125 2009	F
	Liberty 125 4T 3V (10 Spoke Cast Wheels)	125 2013	F
	Liberty SPORT 125	125 2006 2008	F
B	MP3 125 ie	125 2006	F
B	MP3 Hybrid 125	125 2010	F
B	SFERA 125 (4 stroke)	125 1996	F
B	VESPA 125 ET4	125 1996	F
	Vespa S 125 (4T)	125 2007 2013	F
	Vespa S 125 Sport (4T)	125 2011 2013	F
B	ZIP 125	125 2000	F
	LIBERTY 150 (5 Spoke Wheels)	150 2000 2002	F
	Liberty 150 4T (10 Spoke Cast Wheels)	150 2009 2013	F
	LIBERTY 150 4T (5 Spoke Wheels)	150 2008 2008	F
	Liberty 150 4T 3V LEM (10 Spoke Cast Wheels)	150 2013	F
B	VESPA 150 ET4	150 1996	F
	VESPA LX 150 (4T/3V) 05-13	150 2005	F
	VESPA LX 150 (Serie Speciali/4T)	150 2012	F
	VESPA S 150 (4T)	150 2007 2013	F
	VESPA S 150 Sport (4T)	150 2011 2012	F
B	SUPER HEXAGON 180 GTX	180 2000	R
	Liberty S 200	200 2007 2008	F
B	MP3 250	250 2007	F
	300 ie MP3 Yourban	300 2011 2012	F
	300 ie MP3 Yourban LT	300 2011	F
	300 ie MP3 Yourban LT Sport	300 2015	F
B	MP3 300 ie LT Sport	300 2011 2013	F
	MP3 Hybrid 300 ie 4T 4V	300 2010 2013	F
	MP3 Hybrid LT 300 ie 4T 4V	300 2010 2011	F
B	MP3 LT 300 ie	300 2010 2011	F
B	MP3 MIC 300 ie	300 2010 2011	F
	MP3 Touring 300 ie	300 2011 2012	F
	MP3 Touring LT 300 ie	300 2011 2012	F
B	MP3 400 ie	400 2007 2008	F
B	MP3 LT 400 ie	400 2009	F
B	MP3 500 i.e. Bussines	500 2011 2012	F
B	MP3 500 i.e. LT Bussines	500 2011 2013	F
B	MP3 500 i.e. LT Sport	500 2011 2013	F
B	MP3 500 i.e. Sport	500 2012 2012	F
SYM	Symphony 50 SR (4T/Rear disc model)	50 2010	R
	Symphony 50 ST	50 2015	R
	Symphony S 50 (4T/Rear disc model)	50 2010	R
	Symphony 125 SR (4T/Rear disc model)	125 2010	R
	Symphony 125 ST	125 2015	R
	Symphony S 125 (4T/Rear disc model)	125 2010	R
	Symphony 151 SR (4T/Rear disc model)	151 2010	R
	Symphony S 151 (4T/Rear disc model)	151 2010	R
	Fiddle III 200i (4T)	200 2014	R
FDB2058	SUZUKI	B RF 900 RR	900 1994 1995 R
FDB2060	APRILIA	Sport City Cube 125	125 2008 2012 F
	Sport City Cube 200	200 2008 2009	F
B	SCARABEO 500	500 2003	F
B	NA 850 MANA ABS / GT	850 2008	R
HONDA	SJ 50 BALI	50 1993 1999	F
B	SJ 100 BALI - EX	100 1998 1999	F



CC FROM TO FRONT / REAR

CC	FROM	TO	FRONT / REAR
B	CA 125 REBEL	125 1998	F
B	MOTO GUZZI V7 II Racer	750 2012	R
B	V7 II Special	750 2012	R
B	V7 II Stone	750 2012	R
FDB2062	CPI	B OLIVER / TNT / STUNT 50	50 2006 F
	MBK	B NITRO 50	50 1997 R
	YAMAHA	B NS 50 AEROX R	50 2013 R
		B NS 50 AEROX R NAKED	50 2013 R
		B YQ 50 AEROX / AEROX R	50 1997 2012 R
FDB2073	HONDA	B FES 125 PANTHEON	125 1998 1999 F
		B FES 150 PANTHEON	150 1998 1999 F
		B FE 250 FORESIGHT	250 1997 1998 F
		B JAZZ 250	250 2001 F
		B DEAUVILLE TRAVEL	680 2007 R
		B CB 1100 HORNET	1100 1999 2000 R
		B CBR 1100 XX Superblackbird	1100 1996 1997 F
		B X 11 1100	1100 2000 2002 F
	KAWASAKI	B Vulcan650 S	650 2015 F
FDB2074	ADIVA	B AD 400	400 2009 2011 F/R
	APRILIA	B RS 50	50 2006 2011 F
		B TUONO 50	50 2006 2008 F
		B ETV 1000 CAPONORD / RALLY RAID	1000 2001 R
		B RSV 1000 MILLE	1000 1997 2000 R
		B RSV 1000 MILLE	1000 2001 R
		B RSV 1000 MILLE R	1000 2001 2003 R
		B RSV 1000 MILLE R / FACTORY / TUONO RACING	1000 2004 R
		B RSV 1000 MILLE R / SP	1000 2000 R
		B RSV 1000 TUONO	1000 2004 R
		B RSV4 Factory /APRC SE /R	1000 2008 R
		B RSV4 Factory /APRC SE /R (Racing version pad)	1000 2008 R
		B RSV4 Factory APRC ABS (Racing version pad)	1000 2013 R
		B RSV4 Factory APRC ABS (Road version pad)	1000 2013 R
		B RSV4 R APRC ABS (Racing version pad)	1000 2013 R
		B RSV4 R APRC ABS (Road version pad)	1000 2013 R
		B SL 1000 FALCO	1000 2000 R
		B TUONO V4 R	1000 2011 2012 R
		B TUONO V4 R APRC	1000 2011 2013 R
		B TUONO V4 R APRC ABS	1000 2013 R
	BENELLI	B BN 600GT	600 2015 R
		B BN 600i	600 2014 R
		B BN 600R	600 2014 R
		B 2 UE 750	750 2009 2010 R
		B Cafe Racer 899	899 2010 2012 R
		B Century Racer 899	899 2011 2012 R
		B TORNADO NAKED TRE 899 / S	899 2007 2011 R
		B TRE 899 K	899 2007 2012 R
		B 900 TORNADO	900 2000 R
		B TORNADO TRE 900 / RS / Naked Sport Evo	900 2002 R
		B TNT 1130	1130 2005 R
		B TNT 1130 Cafe Racer	1130 2006 2012 R
		B TNT 1130 R	1130 2011 R
		B TNT 1130 Sport/Sport Evo	1130 2005 2009 R
		B TNT 1130 Titanium	1130 2005 R
		B TNT R 160	1130 2010 R
		B Tomado Century Racer	1130 2011 R
		B Tomado TRE 1130 (Radial caliper)	1130 2006 2010 R
		B TRE-K 1130	1130 2007 2012 R
		B TRE-K 1130 Amazonas	1130 2007 2012 R
	BIMOTA	B DB6 Delirio (992cc) Ducati engine	992 2007 R
		B DB5 (All models)	1000 2006 2007 R
		B DB5R	1078 2006 2007 R
		B DB6 Elirio	1078 2006 R
		B DB7 (1098cc)	1098 2008 R
		B DB7 Oronero Millenovantotto	1098 2009 R
		B DB7 Oronero Millenovantotto	1098 2009 R
		B DB6 (1100cc)	1100 2008 R
		B DB6R Delirio (1100cc)	1100 2008 R
		B TEST 3D 1100	1100 2009 R
		B DB8 (1198cc)	1198 2010 R
	BOMBARDIER ATV	A TRAXTER 500 (4x4/XL/Autoshift)	500 1999 2001 F/R
		A Traxter 650 (XT-4x4/Footshift)	650 2000 F/R
	CAGIVA	B RAPTOR 650 / 650 i.e.	650 2001 R
		B V RAPTOR 650	650 2001 R
		B RAPTOR 1000	1000 2000 R
		B RAPTOR V 1000	1000 2001 R
		B RAPTOR X3 1000	1000 2003 R
		B RAPTOR XTRA 1000	1000 2003 R
	CFMOTO	CF 125 T-21A E-Charm	125 2010 2012 R

3040

B = Bike
A = ATV
S = Snowmobile

FERODO
MOTORCYCLE PADS
Updated on 9th Oct 2015

B = Bike
A = ATV
S = Snowmobile



CC FROM TO FRONT / REAR

CC	FROM	TO	FRONT / REAR		
...FDB2074	RIEJU	B X9 250 AMALFI	250 2000 2003 F/R		
		B X9 250 Evolution (right)	250 2004 2005 R		
		B BEVERLY Tourer 400 i.e.	400 2008 2010 F/R		
		B BEVERLY 500	500 2002 2005 F/R		
		B BEVERLY 500	500 2006 2006 F		
		B BEVERLY CRUISER 500 ie	500 2007 2012 F/R		
		B X9 500	500 2001 2002 F/R		
		B X9 500	500 2003 R		
		B X9 500 ie	500 2007 R		
		B MRT 50 PRO / SUPERMOTARD / Competizione	50 2008 F		
		B TANGO 50 / TANGOO! 50	50 2007 F		
		B MARATHON 125 PRO / SUPERMOTARD	125 2008 F		
		B RS3 125	125 2009 F		
		B SMX 125 / Street	125 2007 F		
		B TANGO 125 / PRO	125 2006 2010 F		
	B TANGO 250	250 2008 2011 F			
	SINNIS	B 125 T-8G Ecocity 125	125 2007 2009 R		
		B Grampus 250	250 2010 R		
		B MAXTER 125	125 2001 2003 R		
	YAMAHA	B X-CITY 125	125 2008 R		
		B XQ 125 N MAXSTER	125 2001 2003 R		
		B YP 125 MAJESTY	125 2001 2009 R		
		B YP 125 R X-MAX (Brembo Front) NO ABS	125 2006 2009 R		
		B YP 125 R X-MAX (Nissin Front) NO ABS	125 2010 2013 R		
		B MAXTER 150	150 2001 2003 R		
		B YP 150 MAJESTY	150 2001 2003 R		
		FDB2075	DUCATI HONDA	B MONSTER 821 Stripe	821 2015 R
				B FES 125 PANTHEON	125 2000 2006 F
				B FES 150 PANTHEON	150 2000 2002 F
				B FES 150 PANTHEON	150 2003 2006 F
				B FE 250 FORESIGHT	250 1999 F
				B NSS 250 FORZA (MF04/06)	250 2000 2004 F
				B SILVER WING 600	600 2001 F
B XL 1000 V VARADERO				1000 1999 2003 R	
B XL 1000 VARADERO A4 (ABS)	1000 2004 R				
B CBR 1100 XX Superblackbird	1100 1996 1997 R				
B ST 1100 PAN EUROPEAN ABS/TCS (Dual brake)	1100 1996 2000 R				
B X 11 1100	1100 2000 2002 R				
B GOLDWING F6B	1832 2012 R				
B GOLDWING F6C	1832 2014 R				
PEUGEOT	B SV 250			250 2001 F	
FDB2079	HONDA	B CB 400 SUPER FOUR (SF)	400 1999 2003 F		
		B CBR 600 F	600 2007 F		
		B CBR 600 F1 / F2 / FS1 / FS2 Sport	600 2001 2002 F		
		B CBR 600 F4 / F4i Sport	600 1999 2004 F		
		B CBR 600 FX / FY	600 1999 2000 F		
		B CBR 600 RR	600 2003 2004 F		
		B CBR 900 RR-FIREBLADE (SC33)	900 1998 1999 F		
		B CBR 900 RR-FIREBLADE (SC44&50)	900 2000 2003 F		
		B CBR 929 RR-FIREBLADE	929 2000 2001 F		
		B VTR 1000 SP-1 (SC45)	1000 2000 2001 F		
		B VTR 1000 SP-2 (SC45)	1000 2002 F		
		B CB 1100 EX	1100 2015 F		
		B CB 1300	1300 2001 F		
		KAWASAKI	B ZX 6R 636 NINJA	636 2013 F	
		FDB2080	KAWASAKI KAWASAKI ATV SUZUKI	B KX 80 R7-T7-W1/2-Y1/2	80 1997 2000 F
B KX 85 / 85-2 A1 / B1	85 2001 F				
B KX 100 B7 / C1 / C2 / C3	100 1997 2000 F				
B KL 250 SUPER SHERPA	250 2000 F				
B KLX 250 H1 SUPER SHERPA	250 1998 2005 F				
A KFX 450 R (right)	450 2008 2012 F				
A KVF 650 BRUTE FORCE (right)	650 2005 2007 F				
A KVF 650 PRAIRIE (right)	650 2002 2003 F				
A KFX 700 (right)	700 2004 2009 F				
B RM 85 L	85 2005 F				
FDB2081	APRILIA BENELLI BETA MALAGUTI			B LEONARDO 125	125 1997 1998 F
				B LEONARDO 150	150 1997 1998 F
				B 125 JARNO	125 1989 R
				B EIKON 125	125 1999 F
				B EIKON 150	150 1999 F
		B MEX 50 ENDURO	50 1985 F		
		B MDX 80 ENDURO	80 1984 F		
		B CIAK 125	125 2001 F		
		B CIAK 150	150 2001 F		
		FDB2083	ITALJET LINHAI	B JUPITER 125	125 2001 R
				B JUPITER 250	250 2001 R
				B Monarch 125 T	125 2006 R
				B Monarch 150 T	150 2006 R



CC FROM TO FRONT / REAR

CC	FROM	TO	FRONT / REAR		
FDB2084	MBK YAMAHA	B Main Street 300 (Scooter)	300 2007 R		
		B SKYLINER 250	250 2000 2002 R		
		B 105 CRIPTON	105 1996 1998 F		
		B TW 125	125 1998 2002 F		
		B TW 125	125 2003 F		
		B YP 125 RA X-MAX (Nissin Front) (39D2) ABS	125 2011 R		
		B BRONCO 225	225 1997 F		
		B CELLOW 225	225 1997 F		
		B SEROW 250 (3C51/52)	250 2005 F		
		B X-CITY 250	250 2008 R		
		B XG 250 TRICKER (5XT1)	250 2004 2006 F		
		B XT 250 X	250 2006 2008 F		
		B YP 250 A MAJESTY	250 2000 R		
		B YP 250 MAJESTY DX - ABS	250 1998 1999 R		
		B YP 250 R X-MAX (Brembo Front Caliper) NO ABS	250 2005 2009 R		
		B YP 250 R X-MAX (Nissin Front Caliper) NO ABS	250 2010 2013 R		
		B YP 250 RA X-MAX (Nissin Front Caliper) ABS	250 2011 R		
		B YP 400 R X-MAX ABS	400 2013 R		
		B YP 400 R X-MAX no ABS	400 2013 R		
		B YZF 600 R6	600 1999 2002 R		
		B YZF 1000 R1	1000 2002 2003 R		
		FDB2085	YAMAHA	B YZF 750 R7 (OW02)	750 1999 2001 R
				B YZF 1000 R1	1000 1998 2001 R
		FDB2086	KAWASAKI SUZUKI SYM TRIUMPH YAMAHA	B SC 250 EPSILON	250 2002 F
				B AN 250 BURGMAN K1/K2	250 2001 2002 F
				B AN 250 BURGMAN W/X/Y	250 1996 2002 F
				B AN 250 K3-K6 BURGMAN (CJ43A)	250 2003 2006 F
				B SKY WAVE 250 (type II)	250 1998 F
B AN 400 BURGMAN	400 1999 2000 F				
B AN 400 BURGMAN	400 2001 2006 F				
B GT 500	500 2004 F				
B TROPHY SE	1215 2012 F				
B FJR 1300A (ABS - 4 pad Front caliper)	1300 2006 F				
B FJR 1300AE (ABS - Electronic suspension adj)	1300 2015 F				
B FJR 1300AS (ABS - Electric gearshift)	1300 2006 F				
B XV 1900 A cfd Midnight Star	1900 2014 F				
B XV 1900 A Midnight Star	1900 2013 F				
FDB2087	SUZUKI			B AN 250 BURGMAN W/X/Y	250 1996 2002 R
		B SKY WAVE 250 (type II)	250 1998 R		
		B AN 400 BURGMAN	400 1999 2000 R		
FDB2087	HONDA KEEWAY KSR MOTO BY GENERIC KYMCO	B NSR 75 (NS-1)	75 1992 2000 F		
		B 125i Silverblade	125 2013 R		
		B RKS 125	125 2012 F		
		B Silverblade 125	125 2010 2011 F/R		
		B RKS 150	150 2012 F		
		B RKS 200	200 2012 F		
		B 250i Silverblade	250 2013 R		
		B Work 125/150 (4T)	125 2012 F		
		B ACTIV 50	50 2005 2006 F		
		B BET & WIN 50	50 2002 2006 F		
		B DINK / GRAND DINK 50 / New Dink	50 1997 F		
		B DINK 50 (4T)	50 2007 F		
		B G-DINK 50 (2T)	50 2012 F		
		B GRAND DINK 50 (2T)	50 2004 2007 F		
		B JETIX 50	50 2010 2010 R		
B SENTO 50	50 2008 2009 F				
B SPACER 50	50 1999 F				
B SUPER 9 50 LC / SUPER 9 S	50 2000 F				
B TOP BOY 50	50 1997 2000 F				
B TOP BOY 100	100 1997 F				
B LIBERO 111 4T	111 2008 F				
B ACTIV 110 / 125	125 2004 2006 F				
B B & W 125 BET & WIN Dinksport	125 2000 F/R				
B CK1 125	125 2014 F				
B DINK / GRAND DINK 125 / New Dink	125 1997 F/R				
B DINK 125 (4T)	125 2006 F/R				
B EGO 125	125 2001 2003 F/R				
B GRAND DINK 125 (4T)	125 2001 2007 F/R				
B HIPSTER 125	125 1999 F				
B JETIX 125	125 2010 2010 R				
B K-PIPE 125	125 2012 2013 F				
B KR 125 QUANNON NAKED	125 2010 F/R				
B KR 125 QUANNON NAKED	125 2010 F/R				
B KR 125 QUANNON SPORT	125 2007 2013 F/R				
B MOVIE XL 125	125 2001 2009 F				
B SECTOR 125	125 1998 2001 F				
B SPACER 125	125 1998 F/R				
B SPIKE 125	125 2004 F/R				



CC FROM TO FRONT / REAR

...FDB2087

CC	FROM	TO	FRONT	REAR
B	YAGER 125	125 2001	F/R	
B	ZING 125 / ZING II 125	125 1997 2013	F	
	AGILITY CITY 150 R16	150 2008 2012	R	
B	B & W 150 BET & WIN	150 2000	F/R	
	DINK 150	150 1997 2004	F/R	
	GRAND DINK 150	150 2001 2007	F/R	
B	HIPSTER 150	150 1999	F	
	MOVIE XL 150	150 2001 2009	F	
B	SPACER 150	150 2003	F/R	
B	YAGER 150	150 2001	F	
	AGILITY 200 i R16 +	200 2015	R	
	AGILITY CITY 200 i R16	200 2010	R	
	DINK 200i	200 2006	F/R	
B	SPACER	200 2004	F/R	
B	YAGER 200i	200 2007 2013	F/R	
B	B & W 250 BET & WIN	250 2000	F/R	
B	EGO 250	250 2001	F/R	
B	PEOPLE 250	250 2003 2005	F	
B	YUP 250	250 2003	F/R	
PEUGEOT	WTR 125	125 2008 2008	F	
PGO	G-Max 125	125 2006 2008	R	
	G-Max 125 (Wave disc)	125 2009 2012	R	
	G-Max 250	250 2006 2008	R	
SINNIS	QM 125-2 D Stealth 125 Right	125 2008 2010	F	
B	Grampus 250	250 2010	F	
SUZUKI	ADDRESS 125	125 2008	F	
SYM	X'Pro 50	50 2013	F	
	Euro MX 125 (HF12W3-6 Euro 2) (Rear disc model)	125 2006 2009	R	
B	SHARK 4 VR 125	125 2000 2002	R	
	X Pro125	125 2013	F	
B	XS 125 K	125 2007	F	
B	SHARK 4 VR 150	150 2000 2002	R	
FDB2090	APRILIA			
B	SR 50 2000	50 2000	R	
B	SR 50 FACTORY	50 2004	R	
B	SR 50 R	50 2008	F/R	
B	ATLANTIC (ARECIFE) 125	125 2003	R	
	Atlantic 125	125 2010	R	
B	RS 125	125 2006	R	
B	RS 125 2T RADIAL CALIPER	125 2006 2012	R	
B	SCARABEO 125	125 1998 2006	R	
B	SCARABEO 125 Street	125 2007	R	
	Sport City Cube 125	125 2008 2012	R	
B	SPORTCITY 125 ie	125 2004	R	
	SR STREET 50	125 2003	R	
B	SCARABEO 150	150 1998	R	
B	ATLANTIC (ARECIFE) 200	200 2003 2007	R	
B	SCARABEO 200	200 2001 2007	R	
B	SCARABEO 200	200 2009	R	
B	SCARABEO 200 / Class	200 2008	R	
	Sport City Cube 200	200 2008 2009	R	
B	SPORTCITY 200	200 2004	R	
B	ATLANTIC 250	250 2008	R	
B	LEONARDO 250	250 1999	R	
B	SCARABEO 250 ie	250 2007	R	
B	SPORTCITY 250 ie	250 2007	R	
B	ATLANTIC 300	300 2010	R	
B	LEONARDO 300	300 2004	R	
B	SCARABEO 300 Class / Special	300 2010	R	
B	SPORTCITY 300 / Cube Black line	300 2008	R	
B	ATLANTIC Sprint 400	400 2007	R	
B	SCARABEO 400 ie	400 2007	R	
B	ATLANTIC (ARECIFE) 500 (right)	500 2001	R	
B	ATLANTIC Sprint 500	500 2007	R	
B	SCARABEO 500	500 2003	R	
B	SCARABEO 500	500 2008	R	
B	SCARABEO 500 Class	500 2010	R	
BENELLI	Velvet 125 (13" Front Wheel/Touring)	125 2008 2012	R	
B	Velvet 150 (13" Front Wheel/Touring)	150 2008 2012	R	
B	BN 251	250 2015	R	
B	VELVET 250	250 1999	R	
BETA	EIKON 125	125 1999	R	
B	EIKON 150	150 1999	R	
KEEWAY	Cityblade 125	125 2013	R	
B	RKV 125	125 2010 2015	R	
B	TX 125 SM (17" F/Wheel)	125 2013	R	
B	RKV 150	150 2013 2015	R	
B	RKX 150	150 2013 2014	R	
B	KXM 200	200 2014	R	



CC FROM TO FRONT / REAR

FDB2095

CC	FROM	TO	FRONT	REAR
B	KXV 200	200 2014	R	
B	RKV 200 S	200 2014	R	
B	RKV 200 S Factory	200 2014	R	
B	RKX 200	200 2013	R	
B	TX200 (19" F/Wheel)	200 2013	R	
B	Code S 125/150/200 (4T)	125 2012 2015	R	
B	Code X 125/150/200 (4T)	125 2012 2014	R	
B	MADISON 125	125 1999 2003	R	
B	MADISON 3 - 125	125 2006	R	
B	PHANTOM MAX 125	125 2004	R	
B	MADISON 150	150 1999 2003	R	
B	MADISON 180	180 1999 2003	R	
B	MADISON S 200	200 2004	R	
B	PHANTOM MAX 200	200 2004	R	
B	MADISON 250	250 1999 2003	R	
B	MADISON 3 250 RS	250 2004	R	
B	PASSWORD 250	250 2005	R	
B	PHANTOM MAX 250	250 2006	R	
B	MADISON K 400	400 2002	R	
	Bellavita125 i (4T)	125 2012	R	
	Bellavita300 i (4T)	300 2012	R	
FDB2095	APRILIA			
B	SCARABEO 100 (Minarelli engine)	100 2000	F	
B	SCARABEO 100 (Yamaha engine)	100 2000	F	
B	SCARABEO 100 4T / Net	100 2001	F	
B	HABANA 125 all models	125 1999	F	
B	LEONARDO 125	125 1999	F/R	
B	SR 125	125 1999	F	
B	LEONARDO 150	150 1999	F/R	
B	SR 150	150 1999	F	
FDB2096	ARCTIC CAT ATV			
A	50 DVX (4T)	50 2006 2008	R	
A	50 Utility	50 2006 2008	R	
A	90 DVX	90 2006 2010	R	
A	90 DVX SE	90 2009	R	
A	90 DVX SE	90 2009	R	
A	90 Reverse Gear Model	90 2010 2012	R	
A	90 Utility (2 x 4)	90 2006 2010	R	
A	150 Utility 2x4	150 2009 2010	R	
A	KFX 50 / KSF 50	50 2007 2009	R	
A	KFX 90 / KSF 90	90 2007 2010	R	
KAWASAKI ATV				
KYMCO				
	AGILITY 50 R16 + (2T)	50 2015	F	
	AGILITY 50 R16 + (4T)	50 2015	F	
	AGILITY Carry 50 (4T)	50 2011 2013	F	
	AGILITY CITY 50 R16 (4T/2T)	50 2008	F	
	DJS 50	50 2012 2013	F	
	PEOPLE 50 (2T)	50 1999 2011	F	
	PEOPLE S 50 (2T)	50 2005 2010	F	
	PEOPLE S 50 (4T)	50 2006 2013	F	
	SUPER 8 50 2T/4T	50 2007	F	
B	SUPER 9 50 LC / SUPER 9 S	50 2000	R	
	AGILITY 125 R16 +	125 2015	F	
	AGILITY Carry 125 (4T)	125 2011 2012	F	
	AGILITY CITY 125 R16	125 2008	F	
	AGILITY RS 125 R12 (2T)	125 2009 2013	F	
B	PEOPLE / PEOPLE S 125	125 2006	F	
	PEOPLE 125	125 1999	F	
	PEOPLE ONE 125i	125 2013	F	
	PEOPLE S 125	125 2005 2006	F	
	PEOPLE S 125 DD	125 2007	F	
	SUPER 8 125	125 2008 2013	F	
	AGILITY CITY 150 R16	150 2008 2012	F	
B	PEOPLE 150	150 1999	F	
	AGILITY 200 i R16 +	200 2015	F	
	AGILITY CITY 200 i R16	200 2010	F	
B	PEOPLE S 200	200 2004 2007	F	
	PEOPLE S 200 i	200 2007	F	
KYMCO ATV				
A	Mongoose 50 (4T) (Rear disc model)	50 2008 2009	R	
A	MXer 50	50 2000 2007	R	
A	MXU 50	50 2005 2013	R	
A	Mongoose 70 (4T)	70 2007 2009	R	
A	KXR 90 MONGOOSE	90 2002 2010	R	
A	MAXXER 90	90 2005 2006	R	
A	MXer 90	90 2004	R	
A	MXU 150	150 2005 2012	R	
LAVERDA				
B	PHOENIX 125 / 150 / 200	125 2001	R	
SYM				
	ComBiz 125	125 2011	F	
B	HD 125	125 2004 2007	F	
	JETV (125cc/4T)	125 2012 2013	F	
B	JOYRIDE 125	125 2001 2005	R	

B = Bike
A = ATV
S = Snowmobile

B = Bike
A = ATV
S = Snowmobile



CC FROM TO FRONT / REAR

CC	FROM	TO	FRONT / REAR
...FDB2096	B JOYRIDE 150	150 2001	R
	B HD 200	200 2004	2005 F
	B JOYRIDE 200	200 2001	R
FDB2097	HARLEY DAVIDSON		
	B XL 883 R 100th Anniversary Edition	883 2003	2003 F/R
	B XL 883 R Sportster	883 2000	2003 F/R
	B XL53C Sportster Custom	883 2000	2003 F/R
	B XLH 883 Sportster	883 2000	2003 F/R
	B XLH 883 Sportster Hugger	883 2000	2003 F/R
	B VRSC V-Rod (Hayes Caliper)	1130 2000	2005 F/R
	B XL 1200 C Sportster Custom	1200 2000	2003 F/R
	B XL 1200 S Sportster Sport	1200 2000	2003 F/R
	B XLH 1200 Sporter	1200 2000	2003 F/R
	B FLHRCi Road King Classic	1450 2000	2007 F/R
	B FLHRi/FLHR Road King	1450 2000	2007 F/R
	B FLHRS/FLHRSi Road King Custom	1450 2004	2007 F/R
	B FLHT/FLHTi Electra Glide Standard	1450 2000	2006 F/R
	B FLHTC/FLHTCi Electra Glide Classic	1450 2004	2007 F/R
	B FLHTCU-i Electra Glide Ultra Classic	1450 2000	2007 F/R
	B FLHX Street Glide	1450 2006	2006 F/R
	B FLST/FLSTi Heritage Softail	1450 2006	F/R
	B FLSTC/i Heritage Softail Classic	1450 2000	2004 F/R
	B FLSTF/FLSTFi Fat Boy	1450 2000	2006 F/R
	B FLSTFi Fat Boy 15th Anniversary Edition	1450 2005	2005 F/R
	B FLSTN/FLSTNi Softail Deluxe	1450 2005	2007 F/R
	B FLSTS/i Heritage Springer	1450 2000	2003 R
	B FLSTSC/FLSTSci Springer Classic	1450 2005	2007 R
	B FLTR/FLTR-i Road Glide	1450 2000	2006 F/R
	B FXD Super Glide	1450 2000	2003 F/R
	B FXDBi Street Bob (Spoke wheels)	1450 2006	F/R
	B FXDC/i Dyna Super Glide Custom	1450 2005	2006 F/R
	B FXDC/i Super Glide Custom	1450 2005	2006 F/R
	B FXDi 35 35th Anniv. Super Glide (Spoke wheels)	1450 2006	2006 F/R
	B FXDi Super Glide	1450 2004	2005 F/R
	B FXDi Super Glide (Cast wheel)	1450 2006	2007 F/R
	B FXDL Dyna Low Rider	1450 2000	2003 F/R
	B FXDLi Dyna Low Rider	1450 2004	2006 F/R
	B FXDS-Conv. / Dyna Convertible	1450 2000	2002 F/R
	B FXDWG Wide Glide	1450 2000	2003 F/R
	B FXDWGi Wide Glide	1450 2004	2006 F/R
	B FXDX Super Glide Sport	1450 2000	2003 F/R
	B FXDXi Super Glide Sport	1450 2004	2005 F/R
	B FXDXT Super Glide T-Sport	1450 2000	2003 F/R
	B FXST/FXSTi Softail Standard	1450 2000	2005 F/R
	B FXSTB/FXSTBi Night Train	1450 2000	2005 F/R
	B FXSTD/i Softail Deuce	1450 2000	2005 F/R
	B FXSTD/i Softail Deuce	1450 2006	F
	B FXSTS/FXSTSi Softail Springer	1450 2000	2005 R
	B FLHRS/FLHRSi Road King Custom	1584 2007	F/R
	B FLHT/FLHTi Electra Glide Standard	1584 2007	2007 F/R
	B FLHTC/FLHTCi Electra Glide Classic	1584 2007	2007 F/R
	B FLHX Street Glide	1584 2007	2007 F/R
	B FLSTC Heritage Softail Classic	1584 2007	2008 F
	B FLSTF/FLSTFi Fat Boy	1584 2007	F
	B FXDB Street Bob	1584 2007	F/R
	B FXDC Dyna Super Glide Custom (Spoke wheels)	1584 2007	F/R
	B FXDL Dyna Low Rider	1584 2007	F/R
	B FXDWG Wide Glide	1584 2007	F/R
	B FXST/FXSTi Softail Standard	1584 2006	2007 F
	B FXSTB/FXSTBi Night Train Softail	1584 2006	2007 F
	B FXSTC Softail Custom	1584 2007	F
	B FXSTD Softail Deuce	1584 2007	F
FDB2098	HONDA		
	B SILVERWING 400	400 2006	F
	B NT 650 DEAUVILLE	650 2002	F/R
	B NT 700 DEAUVILLE 680 / ABS	680 2006	R
	B VFR 800	800 2006	R
	B VFR 800 FI	800 1998	F/R
	B VFR 800 FI INTERCEPTOR / INTERCEPTOR ABS	800 2002	2005 F/R
	B XL 1000 V VARADERO	1000 1999	2003 F
	B CB 1100 HORNET	1100 1999	2000 F
	B CBR 1100 XX Superblackbird	1100 1998	F/R
	B ST 1100 PAN EUROPEAN ABS/TCS (Dual brake)	1100 1996	2000 F
	B CTX1300	1300 2014	R
	B ST 1300 PAN EUROPEAN / ABS	1300 2002	F/R
	B ST 1300 PAN EUROPEAN / ABS	1300 2008	R
	B GL 1800 GOLDWING	1800 2001	F/R
	B VTX 1800	1800 2001	F/R
	B GOLDWING F6B	1832 2012	F
	VICTORY		
	B Arlen Ness Victory Vision	2010 2012	F



CC FROM TO FRONT / REAR

CC	FROM	TO	FRONT / REAR
	B Vision 8 Ball	2010 2011	F
	B Vision Street	2008 2009	F
	B Vision Tour (All models)	2008 2015	F
FDB2099	APRILIA		
	B SMV 750 Dorsoduro FACTORY	750 2010	F
	B TUONO V4 R	1000 2011	2012 F
	B TUONO V4 R APRC	1000 2011	2013 F
	B DORSODURO 1200 / ABS / ATC	1200 2011	F
	B CB 400 SUPER FOUR S	400 1997	1998 F
	B NUDA 900 R	900 2012	F
	B NUDA 900 R ABS	900 2013	F
	B Hammer	2005 2007	F
	B Hammer S	2007 2007	F
	B King Pin	2004 2007	F
	B King Pin Tour	2004 2007	F
	B Ness Signature Series	2005 2007	F
	B V92SC	2000 2003	F
	B Vegas	2003 2007	F
	B Vegas 8-Ball	2005 2007	F
	B Vegas Jackpot	2006 2007	F
	B V92C (All models single front rotor)	1500 1998	2003 F
FDB2100	PIAGGIO		
	B VESPA 125 PX	125 1998	2013 F
	B VESPA 150 PX	150 1998	F
	B VESPA 200 PX	200 1998	F
FDB2101	HONDA		
	B X8R 50 S	50 1998	R
	B X8R 50 X	50 1998	R
	B SNIPER 50 DD	50 1994	1996 R
	B Jet Sport X 50	50 2006	2013 R
	B Jet Sport X 50 S	50 2006	2013 R
	B Jet Sport X 50 SR	50 2006	2013 R
FDB2102	BMW		
	B K 1200 LT	1200 1999	2001 R
	B K 1200 LT	1200 2001	R
	B R 1200 CL	1200 2003	R
FDB2103	GASGAS		
	B EC BOY 50	50 2001	F/R
	B EC ROOKIE 50	50 2001	R
	B TXT 125	125 2001	2003 F/R
	B TXT 200	200 2000	2003 F/R
	B TXT 249	249 2001	2003 F/R
	B PAMPERA 250	250 2002	R
	B TXT 250	250 2000	F/R
	B TXT 280	280 2000	F/R
	B TXT 321	321 2000	F/R
FDB2105	APRILIA		
	B ATLANTIC (ARECIFE) 125	125 2003	F
	B Atlantic 125	125 2010	F
	B SCARABEO 125 Street	125 2007	F
	B ATLANTIC (ARECIFE) 200	200 2003	2007 F
	B SCARABEO 200	200 2009	F
	B SCARABEO 200 / Class	200 2008	F
	B ATLANTIC 250	250 2008	F
	B SCARABEO 250 ie	250 2007	F
	B ATLANTIC 300	300 2010	F
	B SCARABEO 300 Class / Special	300 2010	F
	B ATLANTIC Sprint 400	400 2007	F
	B ATLANTIC Sprint 500	500 2007	F
	B KYMCO		
	B K-XCT 125i	125 2012	F
	B NEW DOWNTOWN 125 i	125 2015	F
	B PEOPLE GT 125i	125 2010	F
	B PEOPLE GTi 200	200 2010	F
	B AGILITY maxi 300i ABS	300 2015	F
	B K-XCT 300i /ABS	300 2012	F
	B PEOPLE GTi 300 / ABS	300 2010	F
	B DOWNTOWN 350i Sporty-Touring-Comfortable	350 2015	F
	B MALAGUTI		
	B MADISON 250	250 1999	2003 F
	B MADISON K 400	400 2002	F
	B PEUGEOT		
	B LOOXOR 125 / 150	125 2003	F
	B PIAGGIO		
	B BEVERLY 350 ie Sport Touring (4T 4V) NO ABS	350 2011	F
FDB2107	ALFER		
	B MC 80	80 1988	R
	B TX 300	300 1990	F
	B APRILIA		
	B CLIMBER 280	280 1993	F/R
	B BETA		
	B MX 50 ENDURO	50 1992	F/R
	B SYNT 260	260 1992	F
	B ZERO 260 GARA - TECHNO - SYNT	260 1993	F
	B ZERO 260 SYNT	260 1989	1992 F
	B BULTACO		
	B LOBITO 75	75 1999	R
	B CPI		
	B SUPERCROSS 50	50 2003	F/R
	B SUPERMOTO 50	50 2003	F/R
	B DERBI		
	B all models 50 (disc brake)	50 1983	F
	B AVENTURA 50	50 1996	F
	B COPPA 50 FDT	50 1986	F



CC FROM TO FRONT / REAR

...FDB2107

CC	FROM	TO	FRONT	REAR		
B	COPPA 50 FDX	50	1987	F		
B	DS 50 WORLD CHAMPION	50	1988	F		
B	FD 50 JUMBO	50	1985	F		
B	FURAX 50	50	1996	F		
B	PREDATOR 50	50	1998	F/R		
B	PREDATOR 50 0.2	50	1999	F		
B	RECORD 50	50	1998	F		
B	SABANA 50	50	1990	F/R		
B	SENDA 50	50	1994	R		
B	VAMOS 50	50	1994	F		
B	VAMOS 50 R	50	1996	F		
B	VARIANT 50 SPORT R	50	1994	F		
B	COPPA 75 SPORT	75	1985	F		
B	YUMBO 75 RD-2 FDS	75	1987	F		
FANTIC	B	K-ROO 250	250	1993	F/R	
FB MINARELLI	B	MR 80	80		F	
GASGAS	B	TXT 50 BOY	50	2004	F/R	
	B	DELTA 125	125	1991	F	
	B	JT 12 125	125	1995	F/R	
	B	PAMPERA 125	125	1996	F/R	
	B	TRIAL 125	125	1991	F	
	B	TT 125	125	1995	R	
	B	JTR 140 CONTACT	140	1996	F/R	
	B	JT 16 150	150	1995	F/R	
	B	JT 160	160	1995	F/R	
	B	JT 25 250	250	1991	F/R	
	B	JT 250 CONTACT	250	1994	F/R	
	B	JTR 250 CONTACT	250	1996	F/R	
	B	T 25 250 CONTACT	250	1993	F/R	
	B	JTR 270 CONTACT	270	1996	F/R	
	B	JT 32 320	320	1991	F/R	
	B	TRIAL 327	327	1989	F/R	
	B	GASGAS 350	350		F/R	
	B	JT 350	350	1995	F/R	
	B	JTR 370 CONTACT	370	1996	F/R	
MONTESA	B	COTA 309	309	1989	F	
	B	COTA 335	335	1989	F/R	
	B	H7-S 360	360		F	
MONTESA (HONDA)	B	COTA 310	310	1989	F	
PUCH	B	CONDOR 50	50		F	
	B	MONZA 50	50	1985	F	
	B	COBRA 75	75	1985	F	
	B	COBRA 80	80	1984	F	
RIEJU	B	MR 80	80		F	
SHERCO	B	Enduro 50cc (2T)	50	2002	2007	R
	B	Supermotard 50cc (2T)	50	2002	2007	R
	B	Trials 0.8 (2T)	80	2001	2004	F
	B	City Corp 125 (All models)	125	2003	2007	R
	B	Trials 1.25cc (2T)	125	1999	2005	F/R
	B	Trials 2.0cc (2T)	200	1999	2005	F/R
	B	Trials 2.5 (2T)	250	1999	2005	F/R
	B	Trials 2.9 (2T)	290	1999	2005	F/R
YAMAHA	B	DT 50 R	50	2008		F/R
	B	TY 250 Z	250	1993	1995	F/R

FDB2108

CC	FROM	TO	FRONT	REAR	
B	PHOENIX 125 / 150 / 200	125	2001	F	
B	RS 50	50	2004	F	
B	SHARK 50	50	1999	2003	F
B	EURO MX 125	125	2002	F	
	Euro MX 125 (HF12W3-6 Euro 2) (Rear disc model)	125	2006	2009	F
	JOYRIDE (Euro2 - Euro3)	125	2005	2006	F
B	JOYRIDE 125	125	2001	2005	F
B	JOYRIDE 125 EURO2	125	2005	2006	F
	Joyride 125 i	125	2007	2009	F
	Joyride EVO 125 i (Twin Headlights)	125	2009		F
B	RS 125	125	2001	F	
B	SHARK 125	125	1999	2002	F
B	SHARK 4 VR 125	125	2000	2002	F
B	VS 125	125	2006	F	
B	EURO MX 150	150	2002	F	
B	JOYRIDE 150	150	2001	F	
B	RS 150	150	2001	F	
	RS 150	150	2006	F	
B	SHARK 150	150	1999	2002	F
B	SHARK 4 VR 150	150	2000	2002	F
B	VS 150	150	2006	F	
B	JOYRIDE 200	200	2001	F	
	Joyride 200 i	200	2007	2009	F
	Joyride EVO 200 i	200	2009		F



CC FROM TO FRONT / REAR

FDB2109

CC	FROM	TO	FRONT	REAR		
B	PR3 125 Enduro	125	2008	2011	R	
B	PR3 125 Enduro Pro	125	2008	2011	R	
B	PR3 125 Supermoto	125	2008	2011	R	
B	PR3 125 Supermoto Pro	125	2010	2011	R	
B	PR3 200 Enduro	200	2008	2011	R	
B	PR3 200 Enduro Pro	200	2010	2011	R	
B	PR3 200 M/X	200	2010	2011	R	
B	PR3 200 M/X Pro	200	2010	2011	R	
B	PR3 200 Supermotard Pro	200	2010	2011	R	
B	PR3 200 Supermoto	200	2008	2011	R	
B	EVO 80	80	2009	2012	F	
B	REV 80	80	2008		F	
B	EVO 125 2T	125	2009	2011	F	
B	EVO 125 2T	125	2012		F	
B	Rev 3 125	125	2000	2005	F/R	
B	Rev 3 125	125	2006	2008	F	
B	EVO 200 2T	200	2009	2012	F	
B	Rev 3 200	200	2006	2008	F	
B	Evo 250 (2T)	250	2009	2012	F	
B	Evo 250 (4T)	250	2009	2012	F	
B	REV 3 250	250	2000	2004	F/R	
B	Rev 3 250	250	2005	2008	F	
B	REV 3 250 / Long Range	250	2008		F	
B	REV 4T 250	250	2007	2008	F	
B	Rev 3 270	270	2005	2008	F	
B	EVO 290 2T	290	2009		F	
B	EVO 300 2T/4T	300	2009	2012	F	
GASGAS	B	TXT 125 / 200 / 250 / 280 / 300	125	2004	F	
MONTESA (HONDA)	B	COTA 250 4RT	250	2005	2010	F
	B	COTA 260 4RT	260	2014		F
	B	COTA 310 4T / 4RT	310	2007		F
	B	MH 315 R	315	2001	2004	F
SCORPA	B	SR 125 (2T)	125	2010	2013	F
	B	SR 125 Long Ride (2T)	125	2010	2011	F
	B	SY 125 (4T) Long Ride	125	2009	2010	F
	B	TY 125 (4T)	125	2011	2013	F
	B	SY 200 F (4T) (163cc)	200	2008	2008	F
	B	SY 250 F (4T) Long Ride	250	2007	2008	F
	B	SY 250 FR (4T) Long Ride	250	2010	2010	F
	B	SR 280 (2T)	280	2009		F
	B	SR 280 (2T) Long Ride	280	2009	2011	F
SHERCO	B	Trials 0.8 (2T) AJP CALIPER	80	2005	2010	F
	B	ST125 (2T) AJP CALIPER	125	2015		F
	B	Trials 1.25cc (2T) AJP CALIPER	125	2006	2011	F
	B	ST250 (2T) AJP CALIPER	250	2015		F
	B	Trials 2.5 (2T) AJP CALIPER	250	2006	2011	F
	B	Trials 2.9 (2T) AJP CALIPER	290	2006	2011	F
	B	ST300 (2T) AJP CALIPER	300	2015		F
	B	Trials 3.2cc (4T) AJP CALIPER	320	2005	2011	F

FDB2110

KAWASAKI	B	KX 65	65	1999		F
	B	KX 65	65	2000		F
SUZUKI	B	RM 65	65	2003		F

FDB2111

HARLEY DAVIDSON	B	XL 883 L Super Low (Cast Wheels)	883	2014		R
	B	XL 883 N Iron (Cast Wheels)	883	2014		R
	B	XL 883 R ROADSTER (Cast Wheels)	883	2014		R
	B	XL 1200 C CUSTOM (Spoke Wheels)	1200	2014		R
	B	XL 1200 V - Seventy Two	1200	2014		R
	B	XL 1200 X - Forty Eight	1200	2014		R
HONDA	B	CB 400 SUPER FOUR (SF)	400	1999	2003	R
	B	VT 750 C2 SHADOW	750	2010	2012	R
	B	CB 1300 SF	1300	1998	2000	R
	B	CB 1300 X4	1300	1997	2000	R
KAWASAKI	B	ZX-7 750 RR NINJA N1	750	1996	1999	R
	B	1400 GTR	1400	2007		R
	B	1400 GTR	1400	2015		R
	B	ZZR 1400	1400	2006		R
SUZUKI	B	GSX-R 600	600	2004	2005	R
	B	GSX-R 600 - Racing Applications	600	2004	2005	R
	B	GSF 650 (Naked Bandid -Non ABS) right	650	2005	2006	R
	B	GSF 650 S (Faired Bandid -Non ABS) right	650	2005	2006	R
	B	GSX-R 750	750	2004	2005	R
	B	GSX-R 750 - Racing Applications	750	2004	2005	R
	B	GSX-R 1000	1000	2001	2002	R
	B	GSX-R 1000 (Racing Applications)	1000	2001	2002	R
	B	GSX-R 1000 - Racing Applications	1000	2004	2008	R
	B	GSX-R 1000 K3	1000	2003		R
	B	GSX-R 1000 K3 - Racing Applications	1000	2003		R
	B	GSX 1400	1400	2002		R

B = Bike
A = ATV
S = Snowmobile

B = Bike
A = ATV
S = Snowmobile



		CC	FROM	TO	FRONT / REAR					
...FDB2111	YAMAHA SNOWMOBILE	S NISSIN (all models)	1997	1999	R					
		S SX 500R	500		R					
		S V-MAX 500 (all)	500	1997	1999	R				
		S VENTURE 500	500	1997	2000	R				
		S SRX 600	600	1998	1999	R				
		S SX 600R	600			R				
		S V-MAX 600 (all)	600	1997	1999	R				
		S VENTURE 600	600	1997	2000	R				
		S SRX 700	700	1998	1999	R				
		S SRX 700 - MOUNTAIN MAX 700	700	2000	2001	R				
		S SX 700R	700			R				
		S V-MAX 700 (all)	700	1997	1999	R				
		S VENTURE 700	700	1997	2000	R				
		S V-MAX 800	800	1998	2000	R				
		FDB2113	HONDA	B CBR 600 F2	600	1991	1994	F		
		FDB2114	HARLEY DAVIDSON	B XR 1200	1200	2008	2010	F		
				B XR 1200 X	1200	2010	2012	F		
				B FLSTC Heritage Softail Classic	1584	2015		F		
				B FLSTC Heritage Softail Deluxe	1584	2015		F		
B FLSTF Fat Boy	1584			2015		F				
B FXST Softail Standard	1584			2015		F				
B FLS Softail Slim	1690			2015		F				
B FLSTF Fat Boy LO	1690			2015		F				
B FXSB Breakout	1690			2015		F				
HONDA	B CB 600 F HORNET (Japan)			600	1998		F			
B CBR 600 F (Japan)	600			1999	2004	F				
B CBR 900 RR-FIREBLADE (Japan)	900			1998	2003	F				
B VTR 1000 SP-1 (Japan)	1000			2000	2004	F				
B GOLDWING F6C	1832			2014		F				
FDB2115	BENELLI			B ADIVA 125	125	1999		R		
				B ADIVA 150	150	1999		R		
		B RUNNER 125 VX 4T	125	2001		R				
	GILERA	B RUNNER 180 VXR 4T	180	2001		R				
		B RUNNER 200 VXR	200	2004		R				
		B VESPA LX 50 2T	50	2007		F				
	PIAGGIO	B DNA 125	125	2000	2003	R				
		B SUPER HEXAGON 125 GTX	125	2001		R				
		B VESPA 946 Special - 125 (4T/3V)	125	2013		R				
		B VESPA GRANTURISMO 125 (Grimeca caliper)	125	2003		R				
		B VESPA GRANTURISMO 125 (Heng Tong caliper)	125	2003		R				
		B Vespa GTS 125	125	2007	2011	R				
		B Vespa GTS 125 i.e. Supersport	125	2013	2013	R				
		B Vespa GTS 125 Super 4T i.e.	125	2010	2013	R				
		B Vespa GTS 125 Super 4T i.e. ABS	125	2015		R				
		B Vespa GTV 125	125	2007	2009	R				
		B VESPA LXV 125 / LX 125 / LXW 125 / Touring	125	2007		F				
		B SUPER HEXAGON 150 GTX	150	2001		R				
		B VESPA LX 150	150	2007		F				
		B DNA 180	180	2001	2002	R				
		B SUPER HEXAGON 180 GTX	180	2001	2003	R				
		B VESPA GRANTURISMO 200 (Grimeca caliper)	200	2003		R				
		B VESPA GRANTURISMO 200 (Heng Tong caliper)	200	2003		R				
		B SUPER HEXAGON 250 GTX	250	2001	2002	R				
		B VESPA GTS - GTV 250 ie	250	2008		R				
		B GTV Via Montenapoleone 280	280	2010		R				
		B VESPA GTS 300 i.e.	300	2012		R				
		B VESPA GTS 300 i.e. Supersport	300	2010	2013	R				
		B VESPA GTS 300 i.e. Touring	300	2011	2012	R				
	B VESPA GTS 300 Super	300	2008		R					
	FDB2119	HONDA	B LEAD 100	100			F			
			B 125 DYLAN	125	2002		F			
			B @ 125 NES	125	2000		F			
B PS 125 i			125	2007		F				
B SH 125 & 125i (Rear Drum Model)			125	2000	2008	F				
B @ 150 NES			150	2000		F				
B PS 150i			150	2008		F				
B SH 150			150	2000	2008	F				
YAMAHA ATV			A YFZ 450 (left) - All models	450	2006		R			
FDB2120			APRILIA	B RSV 1000 MILLE	1000	2001		F		
				B RSV 1000 MILLE R	1000	2001	2003	F		
				B RSV 1000 MILLE R / FACTORY / TUONO RACING	1000	2004		F		
				B BX 449 Motard	449	2010		F		
				B BX 570 Motard	570	2008	2010	F		
	B Cafe Racer 899	899		2010	2012	F				
	B Century Racer 899	899		2011	2012	F				
	B TORNADO TRE 900 / RS / Naked Sport Evo	900		2002		F				
	B TNT 1130 Cafe Racer	1130		2006	2012	F				
	B TNT 1130 R	1130		2011		F				
	FDB2121	POLARIS ATV		A MAGNUM (All models)				1999	2001	R
				A SCRAMBLER (All Models)				1998	2004	R
				A TRAIL BOSS (All Models)				2000	2004	R
				A TRAIL BLAZER 250	250	1999		2004	R	



		CC	FROM	TO	FRONT / REAR			
BIMOTA	BIMOTA	B TNT 1130 Sport/Sport Evo	1130	2005	2009	F		
		B TNT 1130 Titanium	1130	2005		F		
		B TNT R 160	1130	2010		F		
		B Tornado Century Racer	1130	2011		F		
		B Tornado TRE 1130 (Radial caliper)	1130	2006	2010	F		
		B DB6 Delirio (992cc) Ducati engine	992	2007		F		
		B DB5 (All models)	1000	2006	2007	F		
		B DB5R	1078	2006	2007	F		
		B DB5R/S (1078cc)	1078	2008	2009	F		
		B DB6 (1078cc)	1078	2008	2009	F		
		B DB6 Elirio	1078	2006		F		
		B DB6/R (1078cc)	1078	2008	2009	F		
		B Tesi-3D (1078cc)	1078	2009		F		
		B DB7 (1098cc)	1098	2008		F		
		B DB6 (1100cc)	1100	2008		F		
		B DB6R Delirio (1100cc)	1100	2008		F		
		B TEST 3D 1100	1100	2009		F		
		B RAPTOR X3 1000	1000	2003		F		
		CAGIVA	CAGIVA	B MULHACEN CAFE' 659 Angel Nieto Lim. Ed.	659	2008		F
				B 748 / 748R / 748S	748	2001		F
				B 749 / 749R / 749S / 749 DARK	749	2003		F
B 996 R TESTA STRETTA	996			2001		F		
B 998 R	998			2002		F		
B 998 SFE	998			2003		F		
B 999 R / S	999			2003		F		
B HYPERMOTARD 1000	1000			2006		F		
B MONSTER S4R /S4RS 1000	1000			2006	2007	F		
B MONSTER S4R S Testastretta/tricolore	1000			2008		F		
DERBI	DERBI			B SMR 449 (4T)	449	2011		F
				B SM 450 R Radial caliper	450	2007	2010	F
				B SM 450 RR	450	2008	2010	F
				B SM 450 RR (Radial Caliper)	450	2006	2007	F
		B SM 510 R (Radial caliper)	510	2006	2010	F		
		B SMR 511	511	2011	2013	F		
		B SM 530 RR	530	2008	2010	F		
		B SM 610 IE	610	2007	2009	F		
		B SM 610 S (Radial caliper)	610	2006	2006	F		
		B SMR 630 (4T)	630	2010	2012	F		
		B STR 650 CRC	630	2007		F		
		B STR 650	650	2007		F		
		B 701 SUPERMOTO	690	2015		F		
		B 690 DUKE R	690	2010	2012	F		
DUCATI	DUCATI	B 690 SMC R (ABS Std)	690	2013		F		
		B 690 SMR / SMC / DUKE / SupermotoR	690	2008		F		
		B LC4 690 SUPERMOTO Prestige	690	2007		F		
		B DUKE 950 / 990 / 990 RC8	950	2003		F		
		B SUPERMOTO 950	950	2005		F		
		B 990 SMR	990	2008	2009	F		
		B 990 SMT	990	2009		F		
		B 990 SUPERDUKE	990	2005	2011	F		
		B 990 SUPERDUKE R	990	2007		F		
		B SFC 1000	1000	2003		F		
		HUSQVARNA	HUSQVARNA	B MGS - 01 Corsa	1225	2007		F
				B BRUTALE 910 R / Starfighter	910	2006		F
				B F4 1000 R (1+1)	1000	2006	2007	F
				B SM 4.5i F (Black Panther)	450	2008	2012	F
B SM 5.1i F Black Panther	510			2008	2012	F		
B SMM 125 (2T) Black Dream (320mm front disc)	125			2008	2013	F		
B SMR 125 (2T)	125			2015		F		
B SMM 250 Fi (4T)	250			2010		F		
B SMR 250 Fi (4T)	250			2010		F		
B SMX 250 Fi (4T)	250			2012		F		
B SMX 300 (2T)	300			2015		F		
B SMM 450 F Black Dream ES (320mm front disc)	450			2008	2010	F		
B SMM 450 Fi (4T)	450			2011		F		
B SMR 450 Fi (4T)	450			2010		F		
B SMX 450 F Competition (4T)	450	2005	2008	F				
B SMM 450 Fi (4T)	450	2005		F				
B SMM 530 F Black Dream ES (320mm front disc)	530	2008	2010	F				
B SMR 530 Fi (4T)	530	2010		F				
B SMR 530 Fi ES	530	2015		F				
B SMX 530 Fi (T)	530	2005		F				
B SMX 660 F	660	2005	2010	F				
B SPEED TRIPLE 1050	1050	2007	2012	F				
MOTO GUZZI	MOTO GUZZI	B BRUTALE 910 R / Starfighter	910	2006		F		
		B F4 1000 R (1+1)	1000	2006	2007	F		
		B SM 4.5i F (Black Panther)	450	2008	2012	F		
		B SM 5.1i F Black Panther	510	2008	2012	F		
MV AGUSTA	MV AGUSTA	B SMM 125 (2T) Black Dream (320mm front disc)	125	2008	2013	F		
		B SMR 125 (2T)	125	2015		F		
		B SMM 250 Fi (4T)	250	2010		F		
		B SMR 250 Fi (4T)	250	2010		F		
SHERCO	SHERCO	B SMX 250 Fi (4T)	250	2012		F		
		B SMX 300 (2T)	300	2015		F		
		B SMM 450 F Black Dream ES (320mm front disc)	450	2008	2010	F		
		B SMM 450 Fi (4T)	450	2011		F		
TM	TM	B SMR 450 Fi (4T)	450	2010		F		
		B SMX 450 F Competition (4T)	450	2005	2008	F		
		B SMM 450 Fi (4T)	450	2005		F		
		B SMM 530 F Black Dream ES (320mm front disc)	530	2008	2010	F		
TRIUMPH	TRIUMPH	B SMR 530 Fi (4T)	530	2010		F		
		B SMR 530 Fi ES	530	2015		F		
		B SMX 530 Fi (T)	530	2005		F		
		B SMX 660 F	660	2005	2010	F		



CC FROM TO FRONT / REAR

Code	Brand	Model	CC	FROM	TO	FRONT / REAR		
...FDB2121	QUADZILLA	A XPLOER 250	250	2000		R		
		A XPEDITION 325	325	2000	2001	R		
		A SPORTSMAN 335	335	1999	2000	R		
		A Sport 400	400	1999	2000	R		
		A SPORTSMAN 400	400	2001	2002	R		
		A XPLOER 400	400	1999	2002	R		
		A XPEDITION 425	425	2000		R		
		A DIESEL 455	455	1999	2001	R		
		A SPORTSMAN 500	500	1998	2002	R		
		A CUV 300 E 4x4 Side x Side	300	2008	2009	R		
		A 320 e 4x4 Parking brake	320	2007	2008	F		
		A CVT 320 e Parking brake	320	2007	2011	R		
		A QZ 320 E 4x4	320	2009	2009	R		
		FDB2123	APRILIA	B SX 450	450	2008		F
	B SX 550		550	2008		F		
FDB2124	HUSQVARNA	B SMR 650	650	2007		F		
	MOTO GUZZI	B V12 LM	1200	2010		F		
FDB2125	BMW	B R 850 R	850	2001		F		
		B R 1100 S ABS	1100	2001		F		
		B R 1150 R / ROCKSTER	1150	2001		F		
		B R 1150 R ROADSTER	1150	2001		F		
		B K 1200 RT	1200	2008		F		
		B R 1200 C CLASSIC	1200	2003		F		
		B R 1200 C MONTAUK	1200	2004		F		
		B R 1200 CL	1200	2003		F		
		B R 1200 R	1200	2007		F		
		B K 1300 R	1300	2009		F		
		B K 1600 GT/ GTL/GTL E	1600	2011		F		
		KAWASAKI	B ZRX 400 (ZR 400 E2)	400	1999	2001	F	
		FDB2125	BMW	B R 850 RT	850	2002	2003	F
				B R 1100 S (no ABS)	1100	2001		F
B R 1150 GS ADVENTURE	1150			2003		F		
B R 1150 RS / RT	1150			2002		F		
B R 1150 RT	1150			2001		F		
B HP2 Megamoto 1200	1200			2008		F		
B K 1200 GT	1200			2003	2007	F		
B K 1200 GT	1200			2007		F		
B K 1200 LT	1200			2001		F		
B K 1200 RS	1200			2002		F		
B K 1200 S / R	1200			2004		F		
B R 1200 GS & GS Adventure all models	1200			2004	2012	F		
B R 1200 S / ST / RT	1200			2007		F		
B K 1300 GT	1300			2009		F		
B K 1300 S	1300	2009		F				
B K 1300 S Motorsport	1300	2015		F				
FDB2126	SYM	Voyager 250	250	2005	2005	R		
	YAMAHA	B XP 500 T MAX	500	2001	2003	R		
		B XP 530 T MAX	530	2012		R		
		B XP 530 T MAX ABS	530	2012		R		
		B XP 530 T MAX IRON MAX /ABS	530	2015		R		
		B FJR 1300	1300	2001	2002	R		
FDB2127	BETA	B MINICROSS 50 PRO RACE 12/10	50	2004	2006	F/R		
		B Minitrial 50	50	2009	2012	F		
		B Pro Race 50	50	2005		R		
		B EVO 125 2T	125	2009	2011	R		
	GASGAS	B EVO 290 2T	290	2009		R		
		B TXT 125 / 200 / 250 / 280 / 300	125	2004		R		
	HUSQVARNA	B CR 50 Junior	50	2005		F		
		B CR 50 Senior Pro	50	2005		F		
	MONTESA (HONDA)	B TE 100	100	2005		F		
		B COTA 250 4RT	250	2005	2010	R		
	SCORPA	B COTA 260 4RT	260	2014		R		
		B MH 315 R	315	2001	2004	R		
		B SR 125 (2T)	125	2010	2013	R		
		B SR 125 Long Ride (2T)	125	2010	2011	R		
B SY 125 (4T) Long Ride		125	2009	2010	R			
B TY 125 (4T)		125	2011	2013	R			
B SY 200 F (4T) (163cc)		200	2008	2008	R			
B SY 250 F (4T) Long Ride		250	2007	2008	R			
B SY 250 FR (4T) Long Ride		250	2010	2010	R			
B SR 280 (2T)		280	2009		R			
B SR 280 (2T) Long Ride	280	2009	2011	R				
SHERCO	B Raidster 660	660	2007		R			
	B ST80 (2T)	80	2013	2014	R			
	B Trials 0.8 (2T)	80	2001	2004	R			
	B Trials 0.8 (2T) AJP CALIPER	80	2005	2010	R			
	B ST125 (2T)	125	2013	2014	R			
	B ST125 (2T) AJP CALIPER	125	2015		R			



CC FROM TO FRONT / REAR

Code	Brand	Model	CC	FROM	TO	FRONT / REAR
FDB2128	DERBI	B Trials 1.25cc (2T) AJP CALIPER	125	2006	2011	R
		B ST250 (2T)	250	2013	2014	R
		B ST250 (2T) AJP CALIPER	250	2015		R
		B Trials 2.5 (2T) AJP CALIPER	250	2006	2011	R
		B ST290 (2T)	290	2013	2014	R
		B Trials 2.9 (2T) AJP CALIPER	290	2006	2011	R
		B ST300 (2T)	300	2013	2014	R
		B ST300 (2T) AJP CALIPER	300	2015		R
		B Trials 3.2cc (4T) AJP CALIPER	320	2005	2011	R
		B SENDA DRD Pro 50 SM	50	2008		R
		B BOULEVARD 125 / 150	125	2003		F
		B Cross City 125	125	2007	2008	R
		B Cross City 125	125	2009		R
		B SENDA BAJA 125 SM	125	2008		R
B TERRA 125 ADVENTURE	125	2008	2009	R		
FDB2129	HONDA	B FUOCO 500 ie	500	2011		R
		B GP800	800	2011		R
		B HM 50 CRE	50	2006		R
		B MILLENIUM 100	100	2002	2003	F
		B JET SET 125	125	2002	2003	F
		B MILLENIUM 125	125	2001	2003	F
		B JET SET 150	150	2002	2003	F
		B MILLENIUM 150	150	2001	2003	F
		B ELYSEO 125	125	2001	2002	F
		B ELYSEO 125	125	2003		R
		B Elystar 125 (5 bolt fixing front disc)	125	2006	2007	R
		B Geopolis 125 (AJP Caliper/ABS)	125	2007	2012	R
		B Geopolis 125 Executive (AJP Caliper/Non ABS)	125	2007	2012	R
		B Geopolis 125 Urban (AJP Caliper/ ABS)	125	2007	2012	R
B SATELIS 125 / 600	125	2004	2005	R		
FDB2130	ITALJET	B Satelis 125 4V Executive/Premium/City	125	2006	2009	R
		B Satelis 125 Blacksats (AJP Calipers)	125	2010	2011	R
		B Satelis 125 Compressor (4T)	125	2006	2011	R
		B Satelis 125 RS (AJP Caliper)	125	2007	2011	R
		B Satelis 125 Urban (AJP Caliper/ABS)	125	2007	2011	R
		B Satelis 125 Whitesat (AJP Calipers)	125	2010	2011	R
		B ELYSEO 150	150	2000		R
		B ELYSEO 150	150	2001		R
		B Elystar 150 (5 bolt fixing front disc)	150	2006	2007	R
		B Geopolis 250 Executive (AJP caliper/ Non ABS)	250	2007	2011	R
		B Geopolis 250 Urban (AJP caliper/ ABS)	250	2007	2011	R
		B Satelis 250 Urban (AJP Caliper/ABS)	250	2007	2012	R
		B Geopolis 400 Urban (AJP Caliper/ ABS)	400	2007	2012	R
		B TANGO 125	125	2011		R
FDB2131	PEUGEOT	B TANGO 250	250	2012	2013	R
		B T-Ride 125 F (Enduro)	125	2010		R
		B T-Ride 250 F (Enduro)	250	2008	2011	R
		B Enduro 50c (2T)/Urban/SU - Spoke wheel models)	50	2008	2013	R
		B SM 0.5cc Black Panther	50	2008	2010	R
		B SU 50 (2T) Urban Base - Cast wheel model)	50	2010		R
		B Supermotard 50cc (2T)	50	2008	2013	R
		B City Corp 125 (All models)	125	2008		R
		B SE 1.25 F Enduro (4T)	125	2010	2012	R
		B SM 1.25 I F Black Panther (4T)	125	2010	2012	R
		B DT 50 R SM	50	2004		R
		B DT 50 X	50	2008		R
		B XT 125 R	125	2008		F/R
		B XT 125 X	125	2008		R
FDB2132	SYM	B HUSKY 125	125	2000		F
		B HUSKY 150	150	2000		F
FDB2133	HONDA	B JAZZ 250	250	2001		R
	KAWASAKI	B SC 250 EPSILON	250	2002		R
FDB2134	SUZUKI	B AN 250 BURGMAN K1/K2	250	2001	2002	R
		B AN 250 K3-K6 BURGMAN (CJ43A)	250	2003	2006	R
		B AN 400 BURGMAN	400	2001	2006	R
		B KLX 125 L	125	2003	2006	F
FDB2135	KAWASAKI	B TR 50 STREET MAGIC	50	1998	2000	F
		B RM 80 XT- XV - X	80	1996	2001	F
		B RM 85 L	85	2002	2004	F
		B UG 110 HOKUTO	110	2000	2004	F
		B AN 125	125	1995	2000	F
		B DR-Z 125	125	2003		F
		B UE - 125 EPICURO	125	1998	2000	F
		B UE - 125 EPICURO	125	2001	2002	F/R
		B UC 150 EPICURO	150	1998	2000	F
		B UC 150 EPICURO	150	2001	2002	F/R
FDB2136	LYN SNOWMOBILE	S Enduro		1998	2000	R
		S GLX 5009 ST		1998	2000	R

B = Bike
A = ATV
S = Snowmobile

B = Bike
A = ATV
S = Snowmobile



CC FROM TO FRONT / REAR

Model	Year	CC	FROM	TO	FRONT / REAR	
...FDB2136	S	Rave Special	1998	2000	R	
	S	Gran Touring 700	700	1998	2000	R
FDB2139	B	MXV 450	450	2008	R	
FANTIC	B	TR 125 CR (2T) Cross Competizione	125	2013	R	
	B	TR 125 MR (2T) Motard Competizione	125	2013	R	
	B	TZ 125 CS (2T) Caballero Cross	125	2011	2012	R
	B	TZ 125 ES (2T) Regolarita Scuderia	125	2011	2012	R
	B	TZ 125 SM (2T) Caballero Motard	125	2011	2012	R
	B	TZ 170 E (125 E / 4T) Regolarita Casa	170	2011	2013	R
	B	TZ 170 ER (125 ER / 4T) Caballero Regolarita Comp.	170	2011	2013	R
	B	TZ 170 SM (125 SM/ 4T) Motard Casa	170	2011	2013	R
	B	TX 180 E (49cc/2T) Regolarita Casa 50E	180	2011	2013	R
	B	TX 180 ER (49cc/2T) Regolarita Competizione 50ER	180	2011	2013	R
	B	TX 180 ES (49cc/2T) Regolarita Scuderia 50ES	180	2011	2013	R
	B	TX 180 MR (49cc/2T) Motard Competizione 50MR	180	2011	2013	R
	B	TX 180 SM (49cc/2T) Motard Casa 50M	180	2011	2013	R
	B	TZ 200 ER (200 ER / 4T) Caballero Regolarita Comp.	200	2011	2013	R
	B	TZ 200 MR (200 MR / 4T) Motard	200	2011	2013	R
	B	TF 250 ES (4T)	250	2011	2013	R
	B	TR 250 ES (2T) Enduro Six Day	250	2013	R	
	B	TR 300 ES (2T) Enduro Six Day	300	2013	R	
	B	TZ 300 ES Regolarita Scuderia	300	2011	2012	R
HONDA	B	CR 125	125	2002	R	
	B	CRE 125 2T /Six Comp	125	2002	R	
	B	CRF 150 RB	150	2008	R	
	B	CR 250	250	2002	R	
	B	CRE 250 / CRE F250 X/R	250	2002	R	
	B	CRF 250 X / R	250	2004	R	
	B	CRF250R	250	2014	R	
	B	CRE F300 X	300	2008	R	
	B	CRE F450 R	450	2011	R	
	B	CRE F450 X/R	450	2008	R	
	B	CRF 450 R	450	2002	R	
	B	CRF 450 SUPERMOTARD	450	2002	R	
	B	CRF 450 X	450	2005	2013	R
	B	CRM F 450 / R / X / RR (Magura 4 pistons)	450	2008	R	
	B	CRE F500 X	500	2009	R	
HONDA-HM ITALIA	B	CRE Baja RR HM 125 2T	125	2011	R	
SUZUKI	B	RME 50 R	50	2010	R	
FDB2140	B	GRAND DINK 250	250	2001	R	
FDB2141	A	ARCTIC CAT ATV 250 DVX	250	2006	2008	R
	A	300 DVX	300	2009	2010	R
KYMCO	B	GRAND DINK 250	250	2001	F	
KYMCO ATV	A	KXR 250 MONGOOSE	250	2004	2009	R
	A	MXU 250	250	2004	2013	R
	A	URBAN 250	250	2006	2007	R
	A	MAXXER 300	300	2006	2013	R
	A	Mongoose 300	300	2006	2010	R
SYM		GTS 125 i	125	2010	F	
		GTS 250	250	2007	2008	F
		GTS 250i / Joymax (All Models)	250	2009	F	
		JOYMAX 250	250	2006	2007	F
		Joymax 250 i	250	2007	2008	F
		Voyager 250	250	2005	2005	F
		GTS 300/Joymax (All Models)	300	2008	F	
FDB2142		Sport City One 50 (2T)	50	2008	2011	F
APRILIA		Sport City One 50 (4T)	50	2008	2009	F
		SR MOTARD 50	50	2012	F	
	B	SPORTCITY ONE 125	125	2010	F	
		SR MAX 125	125	2011	F/R	
		SR MOTARD 125	125	2012	F	
		SR MAX 300	300	2011	F/R	
	B	SRV 850 ABS ATC	850	2013	R	
DERBI	B	GP800	800	2010	2010	R
GILERA	B	RUNNER 50 SP / SKP	50	2006	F	
	B	NEXUS 250 IE	250	2007	F/R	
	A	FUOCO 500 RC/ie	500	2007	R	
	B	GP800	800	2008	R	
KEEWAY		K2 125/150/250	125	2007	F/R	
PIAGGIO	B	FLY 50 2T	50	2005	F	
	B	FLY 50 4T	50	2005	F	
		Liberty 50 (2T / 10 Spoke Cast Wheels)	50	2009	2013	F
		Liberty 50 (4T / 10 Spoke Cast Wheels)	50	2009	2013	F
		Typhoon 50 (2T/12" Wheels)	50	2010	2012	F
		VESPA PRIMAVERA 50 2T	50	2014	F	
		VESPA PRIMAVERA 50 4T 4V	50	2014	F	
		VESPA SPRINT 125 (4T 3V) i.e. ABS	50	2014	F	
		VESPA SPRINT 50 (2T 2V)	50	2014	F	



CC FROM TO FRONT / REAR

Model	Year	CC	FROM	TO	FRONT / REAR	
VESPA SPRINT 50 (4T 4V)	B	50	2014		F	
Fly 100 (4T)	B	100	2007	2012	F	
Beverly 125	B	125	2007	2007	F	
BEVERLY B 125 (Heng Tong caliper)	B	125	2002	2006	F/R	
Beverly RST 125 i.e. (4T 4V)	B	125	2010	2014	F	
Beverly S 125	B	125	2007	2007	F/R	
Beverly Tourer 125	B	125	2008	2009	F/R	
CORNABY 125	B	125	2008		F	
FLY 125	B	125	2004	2006	F	
SKIPPER ST 125 (Heng Tong caliper)	B	125	2000		F	
SUPER HEXAGON 125 GTX	B	125	2001		F	
Typhoon 125 (4T/12" Wheels)	B	125	2010	2012	F	
VESPA GRANTURISMO 125 (Heng Tong caliper)	B	125	2003		F	
Vespa GTS 125	B	125	2007	2011	F	
Vespa GTS 125 i.e. Supersport	B	125	2013	2013	F	
Vespa GTS 125 Super 4T i.e.	B	125	2010	2013	F	
Vespa GTS 125 Super 4T i.e. ABS	B	125	2015		F	
Vespa GTV 125	B	125	2007	2009	F	
VESPA PRIMAVERA 125 4T 3V i.e.	B	125	2013		F	
VESPA PRIMAVERA 125 4T 3V i.e. ABS	B	125	2015		F	
X10 125 i.e. (4T 4V) -Left	B	125	2012		F	
X10 EXECUTIVE (ABS-ASR) 125 i.e. (4T 4V) -Left	B	125	2013		F	
X7 125cc	B	125	2008	2009	F	
X7 Evo 125 ie (EFI)	B	125	2009	2012	F	
X8 125	B	125	2005		F	
X8 125 ie	B	125	2007		F	
X9 125 Evolution (left)	B	125	2004		F	
Xevo 125	B	125	2007	2012	F	
FLY 150	B	150	2006	2008	F	
SKIPPER ST 150 (Heng Tong caliper)	B	150	2000		F	
SUPER HEXAGON 150 GTX	B	150	2001		F	
VESPA PRIMAVERA 150 3V	B	150	2014		F	
SUPER HEXAGON 180 GTX	B	180	2001	2003	F	
BEVERLY B 200 (Heng Tong caliper)	B	200	2002	2006	F/R	
Carnaby 200	B	200	2007	2009	F/R	
VESPA GRANTURISMO 200 (Heng Tong caliper)	B	200	2003		F	
X8 200	B	200	2004		F	
BEVERLY 250 i.e.	B	250	2006	2008	F/R	
Beverly Cruiser 250 i.e.	B	250	2007	2009	F/R	
Beverly Sport 250 i.e.	B	250	2006	2008	F/R	
BEVERLY Tourer 250 i.e.	B	250	2007	2009	F/R	
Carnaby 250 ie	B	250	2008	2009	F/R	
VESPA GTS - GTV 250 ie	B	250	2008		F	
X-EVO 250 ie	B	250	2008		F	
X8 250	B	250	2006		F	
X8 250 ie	B	250	2007		F	
X9 250 Evolution (left)	B	250	2004	2005	F	
X9 250 Evolution (left)	B	250	2005	2005	F	
GTV Via Montenapoleone 280	B	280	2010		F	
BEVERLY 300 ie RST (4T 4V)	B	300	2010		F	
BEVERLY Tourer 300	B	300	2009	2010	F/R	
Carnaby 300 ie	B	300	2012		F/R	
CARNABY CRUISER 300 ie	B	300	2008		F/R	
VESPA GTS 300 i.e.	B	300	2012		F	
VESPA GTS 300 i.e. Supersport	B	300	2010	2013	F	
VESPA GTS 300 i.e. Touring	B	300	2011	2012	F	
VESPA GTS 300 Super	B	300	2008		F	
X7 EVO 300	B	300	2010		F	
BEVERLY 350 ie Sport Touring (4T 4V) ABS	B	350	2011		F	
X10 350 i.e. (4T 4V) -Left	B	350	2012		F	
X10 EXECUTIVE (ABS-ASR) 350 i.e. (4T 4V) -Left	B	350	2013		F	
Beverly 400 i.e.	B	400	2007	2007	R	
MP3 400 ie	B	400	2007	2008	R	
X-EVO 400 ie (left)	B	400	2008		F	
MP3 500 i.e. LT Business ABS/ASR	B	500	2014		R	
MP3 500 i.e. Sport ABS/ASR	B	500	2014		R	
X10 500 i.e. (4T 4V) -Left	B	500	2012		F	
X10 EXECUTIVE (ABS-ASR) 500 i.e. (4T 4V) -Left	B	500	2013		F	
FDB2143	B	HERO Karizma ZMR 230	320	2011	2012	R
HONDA	B	CBR 125 R (6 Bolt Front Disc Fixing)	125	2004	2010	R
	B	CBR 150 R	125	2000	2003	R
YAMAHA	B	XL 125 VARADERO	125	2001		R
		Tricity 125	125	2014		R
	B	YZF-R15	150	2011		R
FDB2144	B	KAWASAKI ZX 6R 600 NINJA (Racing Applications)	600	1998	2001	F
	B	ZX-7 750 R NINJA (Racing Applications)	750	1996	2003	F
	B	ZX-9R 900 R NINJA (Racing Applications)	900	1996	1997	F
	B	ZX-9R 900 R NINJA (Racing Applications)	900	1998	1999	F



CC FROM TO FRONT / REAR

CC	FROM	TO	FRONT	REAR		
...FDB2144	SUZUKI	B ZX-9R 900 R NINJA (Racing Applications)	900	2000	2001	F
		B ZX 12 1200 R (Racing Applications)	1200	2000	2003	F
		B GSX-R 750 W (Racing Applications)	750	1994	1999	F
		B GSX-R 1000 (Racing Applications)	1000	2001	2002	F
		B GSX-R 1100 W (Racing Applications)	1100	1991	1996	F
		B GSX-R 1300 HAYABUSA (Racing Applications)	1300	1999	2007	F
FDB2145	BUELL	B Firebolt XB9R	984	2002	2007	F
		B XB9 SX Lightning	984	2008	2010	F
		B XB9S Lightning	984	2003	2004	F
		B XB9SX Lightning CityX	984	2005	2009	F
		B XB12 R Firebolt	1200	2004	2008	F
		B XB12 S Lightning	1200	2004	2008	F
		B XB12 SCG Lightning	1200	2006	2008	F
		B XB12 Ss Lightning Long	1200	2006	2008	F
		B XB12 STT Lightning	1200	2008	2008	F
		B XB12 X Ulysses	1200	2006	2010	F
		B XB12 XT Ulysses	1200	2008	2010	F
		FDB2146	APRILIA	B ATLANTIC (ARECIFE) 500 (right)	500	2001
FDB2147	ITALJET	B JUPITER 125 / 150 / 250	125	2002	2003	R
		B JUPITER 250	250	2002		R
	RIEJU	B NKD 50	50	2007		F
		B RS2 50	50	2009		F
		B RS2 MATRIX 50 (AJP)	50	2002	2008	F
		B NKD 125	125	2006	2007	F
B RS2 125 (AJP)	125	2006	2008	F		
FDB2148	BENELLI	B Caffè Nero 250 Left	250	2008	2011	R
	BOMBARDIER ATV	A OUTLANDER 330 HO (left)	330	2004	2005	F/R
		A Outlander 400 (STD/MAX HO) Left	400	2003	2006	F/R
		A QUEST 500 (2x4/4x4) (left)	500	2002	2004	F
		A TRAXTER 500 (4x4/XL/Autoshift) (left)	500	2001	2005	F
		A DS 650 (BAJA/X) (left)	650	2000	2006	F/R
		A Outlander 650 HO Efi (4x4/XT/Max) (Left)	650	2006		F/R
		A Quest 650 (2x4/4x4/XT/Max) (Left)	650	2002	2005	F
		A TRAXTER 650 (Max/XT-4x4/Footshift) (Left)	650	2001	2005	F
		A Outlander 800 (All models) (Left)	800	2006		F/R
		A TRAXTER 1000 XL (Left)	1000	2004		F
	CAN AM ATV	A Rally 200	200	2007		R
		A Outlander 400 (STD/XT/EFI 4x4) (Left)	400	2007	2010	F/R
		A Outlander Max 400 (STD/XT 4x4) (Left)	400	2007	2010	F/R
		A Outlander 500 (STD/XT 4x4) (Left)	500	2007	2010	F/R
		A Outlander Max 500 (STD/XT 4x4) (Left)	500	2007	2010	F/R
		A Renegade 500 (4x4/EFI) (Left)	500	2008	2010	F/R
		A DS 650 X (Left)	650	2007		F/R
		A Outlander 650 (STD/XT 4x4) (Left)	650	2007	2010	F/R
		A Outlander Max 650 (STD/XT 4x4) (Left)	650	2007	2010	F/R
		A Outlander 800 (STD/XT 4x4) (Left)	800	2007	2008	F/R
	CANNONDALE ATV	A Outlander 800 R (EFI/XT) (Left)	800	2009	2010	F/R
		A Outlander Max 800 (Ltd/STD/XT 4x4) (Left)	800	2007	2008	F/R
		A Outlander Max 800 R (EFI/XT) (Left)	800	2009	2010	F/R
		A Renegade 800 (4x4/EFI) (STD/X) (Left)	800	2007	2008	F/R
		A Renegade 800 R (EFI/X) (Left)	800	2009	2010	F/R
		A CANNIBAL 400 BLACK / SILVER (left)	400	2002	2003	F/R
		A FX 400 (right)	400	2001		F/R
		A BLAZE 440 (left)	440	2002	2003	F/R
		A GLAMIS 440 (left)	440	2003		F/R
		A MOTO 440 (left)	440	2002	2003	F/R
	JOHN DEERE ATV	A SPEED 440 (left)	440	2002	2003	F/R
		A Buck 500 EX (Left)	500	2004	2008	F
		A Trail Buck 500 EX (Left)	500	2004	2005	F
		A Buck 650 EXT (Left)	650	2004	2008	F
	SUZUKI	A Trail Buck 650 EXT (Left)	650	2004	2005	F
		SIXTEEN 125 UH	125	2008		R
		B UH 125 BURGMAN	125	2007	2013	R
	SUZUKI ATV	B UH 125 BURGMAN ABS	125	2014		R
		SIXTEEN 150 UH	150	2008		R
		B UH 200 BURGMAN	200	2007	2013	R
		B UH 200 BURGMAN ABS	200	2014		R
		A LT-A/F 400 KING QUAD (Left) - All Models	400	2008	2009	F
		A LT-F 400 K8 Manual 2WD (Left)	400	2008		F
		A LT-A 450 KING QUAD (left)	450	2007	2009	F
		A LT-R 450 Z Quad Racer (left)	450	2008		F
		A LT-A 500 KING QUAD Power Steering 4x4 (left)	500	2009	2012	F
		A LT-A 700 KING QUAD (left)	700	2005	2007	F
	YAMAHA ATV	A TWIN PEAKS 700 (left)	700	2004	2005	F
		A LT-A 750 KING QUAD (left)	750	2008	2010	F
		A LT-A 750 KING QUAD Power steering (left)	750	2010	2012	F
		A YFM 400 4x4 Grizzly	400	2007	2008	R
		A YFM 400 FW KODIAK (All Models except AUTO)	400	2000	2006	R



CC FROM TO FRONT / REAR

CC	FROM	TO	FRONT	REAR		
...	SUZUKI	A YFM 450 Grizzly (All models)	450	2007	2010	R
		A YFM 450 KODIAK	450	2003	2006	R
		A YFM 450 WOLVERINE (All models)	450	2006	2010	R
FDB2149	BOMBARDIER ATV	A OUTLANDER 330 HO (right)	330	2004	2005	F
		A Outlander 400 (STD/MAX HO) (Right)	400	2003	2006	F
		A QUEST 500 (2x4/4x4) (left)	500	2002	2004	R
		A QUEST 500 (2x4/4x4) (right)	500	2002	2004	F
		A TRAXTER 500 (4x4/XL/Autoshift) (left)	500	2001	2005	R
		A TRAXTER 500 (4x4/XL/Autoshift) (right)	500	2001	2005	F
		A DS 650 (BAJA/X) (right)	650	2000	2006	F
		A Outlander 650 HO Efi (4x4/XT/Max) (Right)	650	2006		F
		A Quest 650 (2x4/4x4/XT/Max) (Left)	650	2002	2005	R
		A Quest 650 (2x4/4x4/XT/Max) (Right)	650	2002	2005	F
CAN AM ATV	CAN AM ATV	A TRAXTER 650 (Max/XT-4x4/Footshift) (Left)	650	2001	2005	R
		A TRAXTER 650 (Max/XT-4x4/Footshift) (Right)	650	2001	2005	F
		A Outlander 800 (All models) (Right)	800	2006		F
		A TRAXTER 1000 XL (Left)	1000	2004		R
		A TRAXTER 1000 XL (Right)	1000	2004		F
		A Outlander 400 (STD/XT/EFI 4x4) (Right)	400	2007	2010	F
		A Outlander Max 400 (STD/XT 4x4) (Right)	400	2007	2010	F
		A Outlander 500 (STD/XT 4x4) (Right)	500	2007	2010	F
		A Outlander Max 500 (STD/XT 4x4) (Right)	500	2007	2010	F
		A Renegade 500 (4x4/EFI) (Right)	500	2008	2010	F
CANNONDALE ATV	CANNONDALE ATV	A DS 650 X (Right)	650	2007		F
		A Outlander 650 (STD/XT 4x4) (Right)	650	2007	2010	F
		A Outlander Max 650 (STD/XT 4x4) (Right)	650	2007	2010	F
		A Outlander 800 (STD/XT 4x4) (Right)	800	2007	2008	F
		A Outlander 800 R (EFI/XT) (Right)	800	2009	2010	F
		A Outlander Max 800 (Ltd/STD/XT 4x4) (Right)	800	2007	2008	F
		A Outlander Max 800 R (EFI/XT) (Right)	800	2009	2010	F
		A Renegade 800 (4x4/EFI) (STD/X) (Right)	800	2007	2008	F
		A Renegade 800 R (EFI/X) (Right)	800	2009	2010	F
		A CANNIBAL 400 BLACK / SILVER (right)	400	2002	2003	F
JOHN DEERE ATV	JOHN DEERE ATV	A FX 400 (left)	400	2001		F
		A BLAZE 440 (right)	440	2002	2003	F
		A GLAMIS 440 (right)	440	2003		F
		A MOTO 440 (right)	440	2002	2003	F
		A SPEED 440 (right)	440	2002	2003	F
		A Buck 500 EX (Left)	500	2004	2008	R
		A Buck 500 EX (Right)	500	2004	2008	F
		A Trail Buck 500 EX (Left)	500	2004	2005	R
		A Trail Buck 500 EX (Right)	500	2004	2005	F
		A Buck 650 EXT (Left)	650	2004	2008	R
SUZUKI ATV	SUZUKI ATV	A Buck 650 EXT (Right)	650	2004	2008	F
		A Trail Buck 650 EXT (Left)	650	2004	2005	R
		A Trail Buck 650 EXT (Right)	650	2004	2005	F
		A LT-A/F 400 KING QUAD (Right) - All Models	400	2008	2009	F
		A LT-F 400 K8 Manual 2WD (Right)	400	2008		F
		A LT-A 450 KING QUAD (right)	450	2007	2009	F
		A LT-R 450 Z Quad Racer (right)	450	2008		F
		A LT-A 500 FK2 VINSON 4x4	500	2001	2007	R
		A LT-A 500 KING QUAD Power Steering 4x4 (right)	500	2009	2012	F
		A LT-A 700 KING QUAD (right)	700	2005	2007	F
YAMAHA ATV	YAMAHA ATV	A TWIN PEAKS 700 (right)	700	2004	2005	F
		A LT-A 750 KING QUAD (right)	750	2008	2010	F
		A LT-A 750 KING QUAD Power steering (right)	750	2010	2012	F
		A YXR 450 RHINO (left) - side by side	450	2004	2009	R
		A YXR 660 RHINO (left) - side by side	660	2004	2007	R
		FDB2150	YAMAHA	B FZS 1000 FAZER	1000	2001
		B XJR 1300	1300	2001		R
FDB2153	LIGIER	B NOVA	500	2001		F
	PIAGGIO	B M 500 Minicar	500	2006	2008	F
		B PK 500 Motocarro	500	2006	2008	F
FDB2154	GREKAV	B EIKE 505	50			F
FDB2156	HYOSUNG	B GV 650	650	2004	2005	R
		B GV 1000	1000	2004		R
	YAMAHA	B TDM 900	900	2002		R
		B XV 950 (NO ABS&ABS)	950	2014		R
		B XV 950 R ABS	950	2014		R
		B XVS 950 (1XC1/ABS/Standard Rear Shocks)	950	2014		R
		B XVS 950 (Non ABS/Standard Rear Shocks)	950	2014		R
		B XVS 950 A Midnight Star	950	2009	2013	R
		B XVS 950 R (2DE/Remote Reservoir Rear Shocks)	950	2014		R
		B XT 1200 Z ABS (Supertenerere)	1200	2010		R
		B XT 1200 ZE ABS (Supertenerere)	1200	2014		R
		B FJR 1300/FJR 1300 A	1300	2003	2005	R
		B FJR 1300A (ABS - 4 pad Front caliper)	1300	2006		R
		B FJR 1300AE (ABS - Electronic suspension adj)	1300	2015		R

B = Bike
A = ATV
S = Snowmobile

B = Bike
A = ATV
S = Snowmobile



CC FROM TO FRONT / REAR

Code	Brand	Model	CC	FROM	TO	FRONT / REAR		
...FDB2156		FJR 1300AS (ABS - Electric gearshift)	1300	2006		R		
		XVS 1300 A cfd Midnight Star	1300	2014		R		
		XVS 1300 A Midnight Star	1300	2007		R		
		XVS 1300 A Midnight Star Custom	1300	2014		R		
		V-MAX	1680	2008		R		
		XV 1700 ROYAL STAR WARRIOR	1700	2002		R		
		XV 1900 A cfd Midnight Star	1900	2014		R		
		XV 1900 A Midnight Star	1900	2006	2012	R		
		XV 1900 A Midnight Star	1900	2013		R		
		FDB2157	HUSQVARNA KTM	CR 65	65	2010	2013	F
		SX 65	65	2002	2003	F		
		SX 65	65	2004	2009	F		
		SX 65	65	2010		F/R		
		SX 85	85	2003	2010	F/R		
		SX 85 (17"/14")	85	2011		F		
FDB2158	INDIAN	Chief Classic (Spoke Wheel/Nissin calipers)		2014	2015	F		
		Chief Vintage (Spoke Wheel/Nissin calipers)		2014	2015	F		
		Chieftain (Cast Wheel/Nissin calipers)		2014	2015	F		
	KAWASAKI	Z800 (ADS)	800	2013		F		
		Z800 ABS (BDS)	800	2013		F		
		Z800 E ABS (DDS)	800	2013		F		
		ZX-9R 900 R NINJA F1-F2	900	2002	2004	F		
		Z 1000 (ZR 1000 A1)	1000	2003	2006	F		
		GSX 1300 B-KING / Hyaku	1300	2007		F		
	SUZUKI	B-KING	1340	2010		F		
		DAYTONA 675 / Special Edition / Triple	675	2006	2008	F		
	TRIUMPH	STREET TRIPLE 675 R	675	2009	2012	F		
		STREET TRIPLE 675 R	675	2013		F		
		STREET TRIPLE 675 Rx	675	2015		F		
		SPEED TRIPLE 1050	1050	2004	2007	F		
		TIGER SE ABS 1050	1050	2008		F		
		TIGER SPORT	1050	2013		F		
		VICTORY	Broadwalk		2013	2015	F	
			Cory Ness Cross Country		2011	2012	F	
			Cory Ness Jackpot		2008	2010	F	
			Cross Country		2010	2014	F	
			Cross Country 8-Ball		2015		F	
			Cross Country Tour		2012	2015	F	
	Cross Roads			2010	2012	F		
	Cross Roads 8 - Ball (Cast Wheel)			2014		F		
	Cross Roads Clasic (Spoke Wheel)			2013	2014	F		
	Cross Touring			2013	2014	F		
	Gunner			2015		F		
	Hammer			2008	2011	F		
	Hammer 8 Ball			2010	2015	F		
	Hammer S			2008	2015	F		
	Hard Ball			2012	2013	F		
	Highball (Cast & Spoke Wheel)			2012	2015	F		
	Jackpot			2010	2014	F		
	Judge			2013	2015	F		
	King Pin			2008	2012	F		
	Kingpin 8-Ball			2008	2011	F		
	Kingpin Tour		2008	2009	F			
	Kingpin-Low			2009	F			
	Magnum			2015	F			
	Vegas		2008	2012	F			
	Vegas 8-Ball		2008	2015	F			
	Vegas Jackpot		2008	2009	F			
	Vegas Low		2008	2009	F			
	Zach Ness Vegas		2008	2012	F			
	FDB2162	APRILIA	RXV 450 / Rally / Merriman Replica	450	2005		R	
			SX 450	450	2008		R	
			SXV 450	450	2005	2007	R	
			SXV VD8 450/550 Replica	450	2007		R	
			RXV 550	550	2005		R	
			SX 550	550	2008		R	
			SXV 550	550	2005		R	
			BETA	RR 50 Enduro	50	2008	2012	R
				RR 50 Enduro Factory	50	2012		R
				RR 50 Enduro Racing	50	2009	2011	R
		RR 50 Enduro Standard		50	2009	2012	R	
		RR 50 Motard Skull		50	2011		R	
		RR 50 Motard Standard		50	2009	2012	R	
		RR Motard 50 Track (Cast Wheels)		50	2008	2012	R	
		RE 125 4T Enduro		125	2009	2010	R	
RE 125 4T Enduro		125		2010	2012	R		
RR 125 4T Enduro (A/C)		125		2009	2011	R		
RR 125 4T Enduro (L/C)		125	2011		R			
		RR 125 4T Motard (A/C - Spoke Wheel)	125	2008		R		
		RR 125 4T Motard (L/C - Cast Wheel)	125	2011		R		
		Urban 125 Special	125	2009	2012	R		
		Urban 200 Special	200	2009	2012	R		
		RR 250 2T Enduro	250	2015		R		
		RR 250 4T Enduro	250	2005	2007	R		
		RR 300 2T Enduro	250	2015		R		
		XTRAINER 300	300	2015		R		
		RR 350 4T Enduro	350	2011		R		
		RR 350 4T Enduro	350	2012		R		
		RR 350 EFI 4T Enduro	350	2015		R		
		RR 390 4T Enduro	390	2015		R		
	RR 400 4T Enduro	400	2005		R			
	RR 390 4T Enduro	430	2015		R			
	RR 450 4T Cross Country	450	2012		R			
	RR 450 4T Enduro	450	2005	2013	R			
	RR 480 4T Enduro	480	2015		R			
	RR 498 4T Enduro	500	2012		R			
	RR 520 4T Enduro	520	2010	2011	R			
	RR Enduro 525 4T	525	2005	2009	R			
HONDA	CRE 50 SIX Comp.	50	2007	2012	R			
	CRE 50 Six Racing	50	2011		R			
	CRM 50 Derapage Comp.	50	2007	2012	R			
	CRE 125 4T Six Racing	125	2011		R			
	CRE 125 SIX Comp.	125	2010	2011	R			
	CRM 125 2T Derapage Comp.	125	2011	2012	R			
	CRM 125 4T Derapage Comp.	125	2011	2012	R			
	KLX 250	250	2008		R			
	KX 250 F	250	2004		R			
	KLX 450 R	450	2007		R			
KAWASAKI	KX 450 F	450	2006		R			
	MTR 50 Competizione (Spoke Wheel)	50	2011		R			
	Marathon Pro 125 Competizione (Spoke Wheel)	125	2011		R			
	Enduro 2.5i (4T) Inc. SE Models	250	2008	2011	R			
	SM 2.5i Supermotard (4T)	250	2008		R			
	SX 2.5i F Moto Cross	250	2010		R			
	Enduro SE 3.0i (4T)	300	2010	2011	R			
	Enduro 4.5i (4T) Inc SE Models	450	2004	2011	R			
	SE 450 i R (Nissin Rear Caliper)	450	2012	2013	R			
	SM 4.5i F (Black Panther)	450	2008	2012	R			
RIEJU	SM 4.5i F (Supermotard)	450	2004	2010	R			
	Enduro 5.1iF Inc SE Models	510	2007	2011	R			
	SE 510 i R (Nissin Rear Caliper)	510	2012	2013	R			
	SM 5.1i F Black Panther	510	2008	2012	R			
	SM 5.1i F Supermotard	510	2007		R			
	DR 125 SM	125	2008		R			
	RM 125	125	2009		R			
	RM 125 E	125	2009		R			
	SM 125	125	2010		R			
	RM 250	250	2009		R			
SHERCO	RM-Z 250	250	2004	2008	R			
	RM-Z 250 / E	250	2009		R			
	RM-Z 450	450	2005	2007	R			
	RM-Z 450 / E	450	2008		R			
	RMX 450 E	450	2009		R			
	SM 450X	450	2009		R			
	80 Junior	80	2005	2007	R			
	85 Junior	85	2005	2007	R			
	MX 85 (Big Wheel)	85	2005		R			
	MX 85 JR (Small Wheel)	85	2005		R			
SUZUKI	100 Junior	100	2005	2007	R			
	Enduro EN 125 (2T) - USA VERSION	125	2005	2008	R			
	MX 125 (2T)	125	2005		R			
	SMR 125 (2T)	125	2005		R			
	SMR 125 (2T)	125	2015		R			
	EN 144 (2T)	144	2008		R			
	MX 144 (2T)	144	2008		R			
	EN 250 Fi (4T) Enduro	250	2005		R			
	EN 250 Fi ES	250	2015		R			
	Enduro EN 250 (2T)	250	2005		R			
MX 250 (2T)	250	2005		R				
TM	MX 250 (4T) Cross	250	2005	2012	R			
	MX 250 Fi (4T)	250	2010		R			
	SMM 250 Fi (4T)	250	2010		R			
	SMR 250 (2T)	250	2005		R			
	SMR 250 Fi (4T)	250	2010		R			
	SMX 250 Fi (4T)	250	2012		R			
	Enduro EN 300 (2T)	300	2005		R			



CC FROM TO FRONT / REAR

3050

B = Bike
A = ATV
S = Snowmobile

FERODO
MOTORCYCLE PADS
Updated on 9th Oct 2015

B = Bike
A = ATV
S = Snowmobile



CC FROM TO FRONT / REAR

Code	Brand	Model	CC	FROM	TO	FRONT / REAR	
...FDB2162	YAMAHA	B MX 300 (2T)	300	2005		R	
		B SMR 300 (2T)	300	2005		R	
		B SMX 300 (2T)	300	2015		R	
		B EN 450 Fi (4T)	450	2005		R	
		B EN 450 Fi ES	450	2015		R	
		B MX 450 Fi (4T)	450	2005		R	
		B SMR 450 FES	450	2005	2009	R	
		B SMR 450 Fi (4T)	450	2010		R	
		B SMX 450 Fi (4T)	450	2005		R	
		B EN 530 Fi (4T)	530	2005		R	
		B MX 530 F	530	2005		R	
		B SMR 530 F ES	530	2005	2009	R	
		B SMR 530 Fi (4T)	530	2010		R	
		B SMX 530 Fi (T)	530	2005		R	
		B SMX 660 F	660	2005	2010	R	
		B YZ 125	125	2003	2007	R	
		B YZ 125	125	2008		R	
		B WR 250 (F 4T)	250	2003	2013	R	
		B WR 250 R (32D1/3)	250	2008	2010	R	
		B WR 250 X (Supermotard) (32D2/4)	250	2008	2010	R	
		B YZ 250 (2T)	250	2003	2007	R	
		B YZ 250 (2T)	250	2008		R	
		B YZ 250 F (4T)	250	2003	2006	R	
		B YZ 250 F (4T)	250	2007		R	
		B WR 450 F	450	2003		R	
		B YZ 450 F	450	2003	2007	R	
		B YZ 450 F	450	2008		R	
FDB2163		SUZUKI	B INTRUDER C1500 (left)	1500	2005	2009	R
			B VL 1500 K2 (left)	1500	2002	2003	R
FDB2164		KAWASAKI	B ZX 6RR (ZX 599 B1)	599	2003	2006	F
		B ZX 6R (ZX 636 K1)	636	2003	2006	F	
		B ZX-10R 1000	1000	2004	2007	F	
		B ZX-12R 1200	1200	2004		F	
	SUZUKI	B GSX-R 1000 K3	1000	2003		F	
FDB2165	BMW	B G450 X	450	2008		R	
	HUSQVARNA	B CR 125	125	2005	2013	R	
		B ENDURO WR 125	125	2010		R	
		B TC 125 (2T)	125	2014		R	
		B TE 125 (2T)	125	2014		R	
		B WR 125	125	2006	2013	R	
		B WRE 125	125	2000	2013	R	
		B CR 250	250	2005	2007	R	
		B FC 250 (4T)	250	2014		R	
		B FE 250 (2T)	250	2014		R	
		B TC 250	250	2005	2008	R	
		B TC 250 (2T)	250	2014		R	
		B TC 250 (4T)	250	2009	2013	R	
		B TC 250 R	250	2013		R	
		B TE 250 (2T)	250	2014		R	
		B TE 250 (4T)	250	2006	2013	R	
		B TE 250 Meo Replica (4T)	250	2011	2011	R	
		B TE 250 R (4T)	250	2013		R	
		B TE 300 (2T)	300	2014		R	
		B TE 310	310	2010	2013	R	
		B TE 310 R (4T)	310	2013		R	
		B FC 350 (4T)	350	2014		R	
		B FE 350 (4T)	350	2015		R	
		B SMR 449 (4T)	449	2011		R	
		B TC 449	449	2011	2013	R	
		B TE 449	449	2011	2013	R	
		B FC 450 (4T)	450	2014		R	
		B FE 450 (4T)	450	2014		R	
		B FS 450 (4T)	450	2015		R	
		B SM 450 R Radial caliper	450	2007	2010	R	
		B SM 450 RR	450	2008	2010	R	
		B SM 450 RR (Radial Caliper)	450	2006	2007	R	
		B TC 450	450	2005	2010	R	
		B TE 450	450	2006	2008	R	
		B TE 450 (4T)	450	2009	2010	R	
		B FE 501 (4T)	501	2014		R	
		B SM 510 R (Radial caliper)	510	2006	2010	R	
		B TC 510	510	2005	2009	R	
		B TE 510	510	2006	2010	R	
		B SMR 511	511	2011	2013	R	
		B TC 511	511	2011		R	
		B TE 511 (4T)	511	2011	2012	R	
		B SM 530 RR	530	2008	2010	R	
KTM		B 125 EXC (2T)	125	2004		R	



CC FROM TO FRONT / REAR

Code	Brand	Model	CC	FROM	TO	FRONT / REAR
		B 125 EXC Six Days (2T)	125	2011		R
		B 125 SX	125	2004		R
		B SX 125	125	2003		R
		B 150 SX	150	2008		R
		B 200 EXC (2T)	200	2004		R
		B SX 200	200	2003		R
		B 250 EXC (2T)	250	2004		R
		B 250 EXC Six Days (2T)	250	2011		R
		B 250 EXC-F (4T)	250	2007		R
		B 250 EXC-F Six Days (4T)	250	2011		R
		B 250 SX (2T)	250	2003		R
		B 250 SX-F (4T)	250	2006		R
		B MX 250	250	2003		R
		B 300 EXC (2T)	300	2004		R
		B 300 EXC Six Days (2T)	300	2011		R
		B MX 300	300	2004		R
		B 350 EXC-F (4T)	350	2011		R
		B 350 EXC-F Six Days (4T)	350	2012		R
		B 350 SX-F	350	2011		R
		B 350 XC-F	350	2011		R
		B 350 XCF W	350	2011		R
		B ECX 400	400	2006		R
		B 450 EXC (4T)	450	2004		R
		B 450 EXC Six Days (4T)	450	2011		R
		B 450 SMR	450	2007		R
		B 450 SX-F	450	2007		R
		B MX 450	450	2003		R
		B SX 450 / F	450	2003		R
		B 500 EXC (4T)	500	2012		R
		B 500 EXC Six Days (4T)	500	2012		R
		B 500 XC-W	500	2012		R
		B SX / MX 525	525	2003		R
		B 560 SMR	560	2007		R
	RIEJU	B MARATHON 250	250	2010		R
		B MARATHON 450	450	2010		R
		B MARATHON 450 Motard	450	2010		R
	SHERCO	B SE-R 250 (2T)	250	2012		R
		B SE250 i (2T/Brembo Rear Caliper)	250	2012		R
		B SEF 250 (4T)	250	2013		R
		B SEF-R 250 (4T)	250	2013		R
		B SE-R 300 (2T)	300	2012		R
		B SE300 i (2T/Brembo Rear Caliper)	300	2012		R
		B SEF 300 (4T)	300	2013		R
		B SEF-R 300 (4T)	300	2013		R
		B SEF-R 450	450	2015		R
FDB2166	MV AGUSTA	B F4 VELTRO	1000	2008	2009	F
		B F4 100CC	1078	2007	2008	F
FDB2167	HONDA	B CRE Baja RR HM 125 4T	125	2011		F
FDB2169	HERO	B Karizma ZMR 230	320	2011	2012	F
	HONDA	B ANF 125 INNOVA	125	2003	2011	F
		B CBF 125 M	125	2009		F
		B CBR 125 R (5 Bolt Front Disc Fitting)	125	2011	2013	F
		B CBR 125 R (6 Bolt Front Disc Fixing)	125	2004	2010	F
		B CBR 150 R	125	2000	2003	F
		B FS 125 Sonic	125	2003	2004	R
	LIFAN	B Smart 50/125	125			F
	RIEJU	B RS2 50 FR / PRO	50	2008		F
		B RS2 50 MATRIX / PRO 50 (JJUAN)	50	2007	2008	F
		B RS2 50 PRO	50	2009		F
		B NKD 125	125	2008		F
		B RS2 125 / PRO 125 (JJUAN)	125	2007	2008	F
FDB2173	SUZUKI	B AN 250 8 Skywave SS Left	250	2008		R
		B AN 250 Skywave Type M (BA-CJ45A) Left	250	2007	2008	R
		B AN 250 Skywave Type S (BA-CJ44A) Left	250	2007	2008	R
		B AN 400 BURGMAN/SKYWAVE ABS (right)	400	2007		R
		B AN 400 BURGMAN/SKYWAVE NO ABS (right)	400	2007		R
		B AN 650 BURGMAN Executive/Skywave ABS	650	2004		R
		B AN 650 BURGMAN Std/Skywave No ABS	650	2003		R
FDB2175	ARCTIC CAT ATV	A 250 (2x4/4x4)	250	1999	2004	F/R
		A 300 (2x4/4x4)	300	1998	2004	F/R
		A 375 (Auto)	375	2001		F/R
		A 400 (2x4/4x4)	400	1998	2004	F/R
		A 440 (4x4)	440	2002	2003	F/R
		A BEAR CAT 450 (2x4/4x4)	450	1996	1997	F/R
		A BEAR CAT 454 (2x4/4x4)	454	1996	2000	F/R
		A 500 (4x4, Manual, Auto)	500	1998	2004	F/R
		A 650 H1 4 X 4 Auto LE Utility	650	2007		F/R
	LAVERDA ATV	A QUASAR 400 4x4	400	2004		F/R

B = Bike
A = ATV
S = Snowmobile

B = Bike
A = ATV
S = Snowmobile



CC FROM TO FRONT / REAR

Code	Brand	Model	CC	FROM	TO	FRONT / REAR
...FDB2176		QUASAR 500 4x4	500	2004		F
FDB2176	POLARIS ATV	MAGNUM (All models)		2002	2006	R
		TRAIL BLAZER 250	250	2005	2006	R
		XPEDITION 325	325	2002		R
		Trail Blazer 330	330	2008	2010	R
		TRAIL BOSS 330	330	2005	2010	R
		SPORTSMAN 400	400	2003	2005	R
		Sportsman 450	450	2006		R
		SCRAMBLER 500 (All models)	500	2005	2010	R
		SPORTSMAN 500 HO/EFI/X2/EFI Quad H.O.	500	2003	2010	R
		SPORTSMAN 600	600	2003	2006	R
		SPORTSMAN 700	700	2003	2007	R
		SPORTSMAN 800 EFI/HO	800	2005	2010	R
FDB2177	POLARIS ATV	SPORTSMAN 500 6x6	500	2000	2008	R
FDB2178	HYOSUNG	COMET GT 650 / R	650	2010		F
		AQUILA GV 700	700	2010		F
	KAWASAKI	Z 1000 / ABS / SX	1000	2010		F
		Z1000	1000	2014		F
		ZX-10R 1000	1000	2008	2010	F
		ZX-10R 1000	1000	2011		F
	SUZUKI	GSX-R 600	600	2004	2005	F
		GSX-R 600	600	2006	2010	F
		GSX-R 750	750	2004	2005	F
		GSX-R 750	750	2006	2010	F
		DL V-STROM 1000 ABS	1000	2014		F
		GSX-R 1000	1000	2007	2008	F
		GSX-R 1000	1000	2009	2011	F
		GSX-R 1000 Alstare 25 Ann.	1000	2010		F
		GSX-R 1000 Yoshimura 2008	1000	2010		F
		GSX-R 1300	1300	2008		F
		GSX-R 1300 HAYABUSA (Tokico Front std caliper)	1300	2008	2012	F
		M 1800 R INTRUDER (VRZ)	1800	2006	2009	F
		M 1800 R2 INTRUDER (VRZ)	1800	2008	2009	F
		M 1800 RB INTRUDER (VZR)	1800	2014		F
		M 1800 RZ INTRUDER (VRZ)	1800	2007	2013	F
FDB2179	HARLEY DAVIDSON	XL 883	883	2004	2008	F
		XL 883 C Sportster Custom	883	2004	2008	F
		XL 883 L Low	883	2004	2010	F
		XL 883 L Superlow	883	2011	2013	F
		XL 883 N Iron	883	2009	2010	F
		XL 883 N Iron (Cast Wheel)	883	2011	2013	F
		XL 883 R Roadster	883	2010	2011	F
		XL 883 R Roadster (Cast Wheel)	883	2011	2013	F
		XL 883 SPORTSTER R	883	2005	2013	F
		XL 1200 C Sportster Custom	1200	2004		F
		XL 1200 L Sportster Low (Cast Wheel)	1200	2007	2011	F
		XL 1200 L Sportster Low (Spoke Wheel)	1200	2007	2011	F
		XL 1200 N Nightster (Spoke wheel)	1200	2008	2012	F
		XL 1200 R Sportster Roadster	1200	2004	2008	F
		XL 1200 V - Seventy Two	1200	2012	2013	F
		XL 1200 X - Forty Eight	1200	2010	2013	F
		XL 50 50th Anniversary Sportster	1200	2007	2007	F
FDB2180	HARLEY DAVIDSON	XL 883	883	2004	2008	R
		XL 883 C Sportster Custom	883	2004	2008	R
		XL 883 L Low	883	2004	2010	R
		XL 883 L Superlow	883	2011	2013	R
		XL 883 N Iron	883	2009	2010	R
		XL 883 N Iron (Cast Wheel)	883	2011	2013	R
		XL 883 R Roadster	883	2010	2011	R
		XL 883 R Roadster (Cast Wheel)	883	2011	2013	R
		XL 883 SPORTSTER R	883	2005	2013	R
		XL 1200 C Sportster Custom	1200	2004		R
		XL 1200 L Sportster Low (Cast Wheel)	1200	2007	2011	R
		XL 1200 L Sportster Low (Spoke Wheel)	1200	2007	2011	R
		XL 1200 N Nightster (Spoke wheel)	1200	2008	2012	R
		XL 1200 R Sportster Roadster	1200	2004	2008	R
		XL 1200 V - Seventy Two	1200	2012	2013	R
		XL 1200 X - Forty Eight	1200	2010	2013	R
		XL 50 50th Anniversary Sportster	1200	2007	2007	R
		XR 1200	1200	2008	2010	R
		XR 1200 X	1200	2010	2012	R
FDB2181	HONDA	CBR 600 RR	600	2005	2006	F
		CBR 600 RR / Lim. Ed. / Fireblade Repsol	600	2007		F
		VFR 800 F	800	2014		F
		VFR 800 X Crossrunner	800	2015		F
		VFR 800 X Crossrunner Travel Edition	800	2015		F
		CB 1000 R (No ABS)	1000	2009		F
		CBR 1000 FIREBLADE	1000	2004	2005	F



CC FROM TO FRONT / REAR

Code	Brand	Model	CC	FROM	TO	FRONT / REAR
		CBR 1000 FIREBLADE RR / Hansspree Ed.	1000	2006		F
		CBR 1000RR Fireblade	1000	2014		F
FDB2182	HONDA ATV	TRX 420 FA/FPA P.S.Fourtrax Rancher	420	2009	2010	R
		TRX 450 R/ER	450	2004	2009	R
		TRX 650 FA Rincon / FGA Fourtrax Rincon Gpscape	650	2003	2005	R
		TRX 680 Fourtrax Rincon	680	2006	2010	R
		TRX 680 Fourtrax Rincon Gpscape	680	2006	2009	R
FDB2183	HUSQVARNA	CR 50	50	2010	2013	F/R
		CR 50 Senior Pro	50	2005		R
		SM 50	50	2010	2013	F/R
	KTM	50 SX PRO SENIOR LC	50	2002	2003	F
		50 SX PRO SENIOR LC	50	2004		F/R
		50 SX SENIOR ADVENTURE	50	2002	2007	F
		SX 65	65	2004	2009	R
		R2 / R3	50	2003		F/R
FDB2184	ARCTIC CAT ATV	250 DVX	250	2006	2008	F
		250 Utility 2 x 4	250	2006	2009	F/R
		300 DVX	300	2009	2010	F
	BOMBARDIER ATV	DS 250	250	2006	2007	F/R
	CAN AM ATV	DS 250	250	2007	2009	F/R
	CPI ATV	250 XS	250	2006		F
	KYMCO	AGILITY maxi 300i ABS	300	2015		R
	KYMCO ATV	KXR 250 MONGOOSE	250	2004	2009	F
		MXU 250	250	2004	2013	F
		MXU 250 R	250	2012	2013	F/R
		URBAN 250	250	2006	2007	F
		MAXXER 300	300	2006	2013	F
		Mongoose 300	300	2006	2010	F
		MXU 300	300	2006	2011	F/R
		MXU 300 R	300	2010		F/R
		MXU 400	400	2008	2011	F/R
		MXU 500 (L70000/Carb Model/4x4)	500	2005	2013	F/R
		MXU 500i DX Parking Brake	500	2012	2013	F
		MXU 500i IRS Parking Brake	500	2012	2013	F
		UXV 500 (Side x Side/4x4/U10000)	500	2008	2009	F/R
		UXV 500i (Side x Side/4x4/U10100)	500	2010		F/R
		MXU 550i (4x4 LoF) Parking Brake	550	2013		F
		MXU 550i Parking Brake	550	2012	2012	F
		MXU 700i (4X4 LoF) Parking Brake	700	2013		F
		UXV 700i (Turf) Parking Brake	700	2014		F
	PGO ATV	500 Bug	500	2008	2009	R
		BR 500i Racer	500	2007	2009	R
		BR 600i Racer	600	2012	2012	R
	QUADZILLA	RS 7 4WD	700	2010	2011	F
		X7 R	700	2010	2011	F
		RS 8	800	2010	2011	F
	SYM	SB 125 Ni - Wolf (EFI Model)	125	2011		R
		SB250 Ni - Wolf	250	2012		R
		WOLF 300 Cafe' Racer	300	2015		R
	SYM ATV	Quadlander 200	200	2012	2013	F
		Trackrunner 200 Quad	200	2005	2009	F
		Quadlander 250	250	2005	2009	F
		Citymax 300 Quad	300	2006		F
		Quadlander 300	300	2007	2010	F/R
		Quadlander 300 S	300	2007		F/R
		Quadlander 600	600	2008	2010	R
		Quadraider 600	600	2006	2007	R
		Quadraider 600	600	2008		F/R
		Quadraider 600LE	600	2010		F/R
	TGB ATV	Avenger400 LE Quad (4x2)	400	2009	2010	F/R
		Avenger400 Quad (4x2)	400	2007	2009	F/R
		Blade(4x4) 425 Quad	425	2007	2009	F/R
		BladeSE (4x4) 425 Quad	425	2009	2010	F/R
		Outback 425 C 4x4	425	2007	2009	F/R
		Outback 425 Real Tree Camo Edition 4x4 Auto	425	2007	2009	F/R
		Outback 425 SE 4x4 Auto	425	2007	2009	F/R
		Blade450 SE (4x4)	450	2010	2011	F
		Blade460 SL IRS 4x4	460	2012		F
		Avenger500 R Quad (4x2)	500	2009	2010	F/R
		Blade510 LE	510	2011	2012	F
		525SE 4X4	525	2009		F
		Blade525 SE 4X4	525	2009	2010	F/R
		Blade525 SL 4X4	525	2009	2010	F
		550IRS Blade LT	550	2010	2012	F
		Blade550 IRS Target	550	2011	2012	F
		Blade550 LT 4X4	550	2010	2011	F
		Blade550 SE 4X4	550	2009	2011	F
		Blade550 SL 4X4	550	2009	2010	F



CC FROM TO FRONT / REAR

...
FDB2184	YAMAHA	A	Gunner550 4 X 4 Target	550	2010	2012	F/R
		B	MT-125 ABS	125	2015		R
		B	YZF-R 125	125	2008	2013	R
		B	YZF-R 125	125	2014		R
FDB2185	BETA	B	M4 Supermotard	350	2006	2012	F
		B	M4 Supermotard 350	350	2004	2006	F
FDB2186	GILERA PIAGGIO	B	NEXUS 300	300	2009		F/R
			125 ie MP3 Yourban	125	2011	2012	R
			Beverly RST 125 i.e. (4T 4V)	125	2010	2014	R
		B	CORNABY 125	125	2008		R
		B	MP3 Hybrid 125	125	2010		R
			X10 125 i.e. (4T 4V) -Left	125	2012		R
			X10 125 i.e. (4T 4V) -Right	125	2012		F
			X10 EXECUTIVE (ABS-ASR) 125 i.e. (4T 4V) -Left	125	2013		R
			X10 EXECUTIVE (ABS-ASR) 125 i.e. (4T 4V) -Right	125	2013		F
			X7 125cc	125	2008	2009	R
			X7 Evo 125 ie (EFi)	125	2009	2012	R
		B	X9 125 Evolution (right)	125	2004		F
			Xevo 125	125	2007	2012	R
		B	X-EVO 250 ie	250	2008		R
		B	X7 250	250	2008		F/R
		B	X9 250 Evolution (right)	250	2004	2005	F
		B	X9 250 Evolution (right)	250	2005	2005	F
			300 ie MP3 Yourban	300	2011	2012	R
			300 ie MP3 Yourban LT	300	2011		R
			300 ie MP3 Yourban LT Sport	300	2015		R
		B	BEVERLY 300 ie RST (4T 4V)	300	2010		R
		B	MP3 300 ie LT Business ABS	300	2014		R
		B	MP3 300 ie LT Sport	300	2011	2013	R
		B	MP3 300 ie LT Sport ABS	300	2014		R
			MP3 Hybrid 300 ie 4T 4V	300	2010	2013	R
			MP3 Hybrid LT 300 ie 4T 4V	300	2010	2011	R
		B	MP3 LT 300 ie	300	2010	2011	R
		B	MP3 MIC 300 ie	300	2010	2011	R
			MP3 Touring 300 ie	300	2011	2012	R
			MP3 Touring LT 300 ie	300	2011	2012	R
		B	X7 EVO 300	300	2010		R
		B	BEVERLY 350 ie Sport Touring (4T 4V) ABS	350	2011		R
		B	BEVERLY 350 ie Sport Touring (4T 4V) NO ABS	350	2011		R
			X10 350 i.e. (4T 4V) -Left	350	2012		R
			X10 350 i.e. (4T 4V) -Right	350	2012		F
			X10 EXECUTIVE (ABS-ASR) 350 i.e. (4T 4V) -Left	350	2013		R
			X10 EXECUTIVE (ABS-ASR) 350 i.e. (4T 4V) -Right	350	2013		F
		B	X-EVO 400 ie (right)	400	2008		F/R
		B	MP3 500 i.e. Bussines	500	2011	2012	R
		B	MP3 500 i.e. LT Bussines	500	2011	2013	R
		B	MP3 500 i.e. LT Sport	500	2011	2013	R
		B	MP3 500 i.e. Sport	500	2012	2012	R
			X10 500 i.e. (4T 4V) -Left	500	2012		R
			X10 500 i.e. (4T 4V) -Right	500	2012		F
			X10 EXECUTIVE (ABS-ASR) 500 i.e. (4T 4V) -Left	500	2013		R
			X10 EXECUTIVE (ABS-ASR) 500 i.e. (4T 4V) -Right	500	2013		F
		FDB2188	KAWASAKI ATV	A	KFX 450 R (left)	450	2008
A	KVF 650 BRUTE FORCE (left)			650	2005	2007	F
A	KVF 650 PRAIRIE (left)			650	2002	2003	F
A	KFX 700 (left)			700	2004	2009	F
FDB2189	POLARIS SNOWMOBILE	S	ALL MODELS WITH PHANTOM BRAKES		2003		R
FDB2190	ADIVA		AD 125	125	2009	2011	F
			AR 125	125	2010	2011	F
			AD 200	200	2009	2011	F
	CAGIVA		AR 200	200	2010	2011	F
		B	CITY 50	50	1995		F
		B	PASSING 50	50	1995		F
		B	STELLA 50	50	1997		F/R
	GARELLI	B	PASSING 125	125	1993	1997	F
		B	KRS 50	50	2002		F
		B	FREELAND 125	125	2002		F
		B	JOKER 125	125	2002		F
	KSR MOTO BY GENERIC	B	FREELAND 150	150	2002		F
		B	JOKER 150	150	2002		F
			Vendetta 50 (2T)	50	2012		F
	LAMBRETTA		LJ 50	50	2012	2013	F
			LT 50	50	2012	2013	F
			LN 125 (4T)	125	2011	2013	F
			LN 151 (4T)	150	2011	2013	F
	PEUGEOT		Tweet 50 (4T/Rear Drum Model)	50	2010	2012	F
			Tweet 50 RS (4T/Rear Disc Model)	50	2010	2012	F
			DIANGO 125 (SPORT-ID-HERITAGE-EVASION-ALLURE)	125	2015		F



CC FROM TO FRONT / REAR

...
PGO	PGO		LXR 125 (4T)	125	2010	2012	F
			Tweet 125 (4T/Rear Drum Model)	125	2010	2012	F
			Tweet 125 RS (4T/Rear Disc Model)	125	2010	2012	F
			Tweet 150 (4T/Rear Drum Model)	150	2010	2012	F
			Tweet 150 RS (4T/Rear Disc Model)	150	2010	2012	F
			LXR 200i (4T)	200	2010	2011	F
			i-Dep Electric Scooter		2009		F/R
			Big Max 50 (Front wave disc)	50	2007	2009	F
			Big Max 50 Naked	50	2007	2009	F
		B	BIG MAX 50 S	50	2003	2004	F
			G-Max 50	50	2005	2007	F
			G-Max 50 (Wave disc)	50	2008	2012	F
			G-Max 50 Naked (Wave disc)	50	2009		F
			Libra 50 (2T)	50	2009	2009	F
			Ligero 50 (2T)	50	2008	2012	F
		B	PMX 50	50	2000	2004	F
		B	T-REX 50	50	1999	2004	F
			Bubu 100	100	2003	2008	F
			My Bubu 100	100	2003	2005	F
		B	PMX 110	110	2000	2004	F
		B	T-REX 110	110	1999	2004	F
			Bubu 125	125	2003	2008	F
		B	CHARGE 125 A / B	125	2001	2002	F
		B	I-CHARGE 125	125	2003	2004	F
			Libra 125 EFI (4T)	125	2009	2012	F
			Ligero 125	125	2006	2008	F
			Ligero 125 (4T)	125	2008	2012	F
B	MY BUBU 100 / 125	125	2003	2004	F		
B	T-REX 125	125	1999	2004	F		
	T/Rex 125	125	1999	2007	F		
	Tigra125 (4T/4V)	125	2012		F		
B	YOUNG BUBU 125	125	2003	2004	F		
	Libra 150 (4T)	150	2009	2009	F		
B	T-REX 150	150	1999	2004	F		
	TR-3 150cc (3 wheeler)	150	2003	2009	F		
	Allo 50 (4T)	50	2011		F		
	Allo GT 50 (4T)	50	2013		F		
	Fiddle II 50	50	2008		F		
	Fiddle III 50 (4T)	50	2014		F		
	Jet 4 (50cc- 4T)	50	2010		F		
	Jet 4 R (50cc- 2T)	50	2011		F		
B	JET 50	50	1999		F		
	Jet Basix 50	50	2006	2009	F		
	Jet Euro X 50	50	2006	2012	F		
	Jet Evo 50 (2T)	50	2013		F		
	Jet Sport X 50	50	2006	2013	F		
	Jet Sport X 50 S	50	2006	2013	F		
	Jet Sport X 50 SR	50	2006	2013	F		
	Jet4 Naked (50cc/4T)	50	2013		F		
B	JUNGLE 50	50	1999	2002	F		
B	MASK 50	50	2000		F		
	Orbit II 50 (4T)	50	2012		F		
	Orbit II 50 Naked (4T)	50	2012		F		
	Orbit II 50 TS (4T)	50	2012		F		
B	RED DEVIL 50	50	1999		F		
B	SUPER FANCY 50 (G5H-6/H325)	50	1996	2002	F		
	Symphony 50 (4T/Rear drum model)	50	2009	2009	F		
	Symphony 50 SR (4T/Rear disc model)	50	2010		F		
	Symphony 50 ST	50	2015		F		
	Symphony S 50 (4T/Rear disc model)	50	2010		F		
	Symply 50	50	2007	2008	F		
	Symply II 50	50	2009		F		
B	JET 100	100	1999		F		
	Allo 125 (4T)	125	2011		F		
B	ATTILA 125	125	1999	2000	F		
	City Com 125	125	2008	2013	F		
	Fiddle II 125	125	2008		F		
	Fiddle III 125 (4T)	125	2008		F		
	HD 125 S Evo	125	2007		F		
B	HD Evo 125 (Carb & EFi Models/4T/Single Headlight)	125	2003		F		
B	HD2- 125i (4T)	125	2010		F		
	JET 4 (125cc- 4T)	125	2010		F		
B	MEGALO 125	125	2000		F		
	Orbit II/Symply 125 (4T)	125	2009		F		
B	SUPER DUKE 125 / 150	125	1999	2000	F		
	Symphony 125 (4T/Rear drum)	125	2009	2009	F		
	Symphony 125 SR (4T/Rear disc model)	125	2010		F		
	Symphony 125 ST	125	2015		F		

B = Bike
A = ATV
S = Snowmobile

B = Bike
A = ATV
S = Snowmobile



...FDB2190

			CC	FROM	TO	FRONT / REAR	
TGB	B	Symphony S 125 (4T/Rear disc model)	125	2010		F	
		Symply 125	125	2007	2008	F	
		Symply II 125	125	2009		F	
		Allo 150 (4T)	150	2011		F	
		Jet4 (150cc/4T)	150	2013		F	
		SUPER DUKE 150	150	1999		F	
		Fiddle II 151	151	2008		F	
		Symphony 151 SR (4T/Rear disc model)	151	2010		F	
		Symphony S 151 (4T/Rear disc model)	151	2010		F	
		Fiddle III 200i (4T)	200	2014		F	
		HD 200 EVO Euro 2-3 / EVO 1 Euro 2-3	200	2005	2006	F	
		HD2-200i (Twin H/Lights/4T)	200	2010		F	
		HD200 S Evo	200	2007		F	
		City Com 300 i	300	2008		F/R	
		101R (50cc)	50	2004	2009	F	
		202 Classic (50cc)	50	2003		F	
		AkrosTec -50	50	2003	2004	F	
		Delivery50 Scooter (Up to E/F no 609099)	50	2004	2006	F	
		Bellavita125 i (4T)	125	2012		F	
		Bellavita300 i (4T)	300	2012		F	
FDB2191	BENELLI	QuattroNove X (50cc/All Rear Disc Models)	50	2010	2012	F/R	
		QuattroNove X (50cc/All Rear Drum Models)	50	2008	2012	F	
CPI	B	OLIVER 50	50	2003	2005	F	
	B	POPCORN 50	50	2003		F	
KEEWAY	B	HUSSAR 50 / 125 / 150	125	2003		F	
		F-Act 50	50	2007	2010	F	
		F-Act 50 EVO (2T)	50	2009		F	
		F-Act 50 EVO (4T)	50	2009		F	
		F-Act- 50 Racing (25/45)	50	2010	2012	F	
		F-Act- 50 RS	50	2010	2011	F	
		F-Act-NKD 50	50	2009	2011	F	
		Flash 50 Electric	50	2009	2010	F	
		Focus 50	50	2006	2007	F	
		Matrix 50 (2T)	50	2006	2012	F	
		Matrix V4 50 (25/45)	50	2010	2011	F	
		RY6 50cc (25/45)	50	2010		F	
		RY8 50cc (All models)	50	2007	2009	F	
		RY8 Racing 50cc (25/45)	50	2010	2011	F	
		RY8 SP 50cc (25/45)	50	2010	2011	F	
		Swan 50 (25/45)	50	2010	2011	F	
		F-Act 125	125	2007	2011	F	
		Focus 125	125	2006	2007	F	
		Matrix 125	125	2007	2010	F	
		F-Act 150	150	2007	2010	F	
		Matrix 150	150	2007	2010	F	
KSR MOTO BY GENERIC		Epico Electric		2012	2013	F	
		50 GT Race Explorer	50	2009	2009	F	
		Cracker 50 (2T/4T)	50	2009		F	
		Epico 50 (2T)	50	2010		F	
		Race 2 50 (2T/4T)	50	2010		F	
		Roc 50	50	2008	2011	F	
		Sirion 50 (2T/4T)	50	2012		F	
		Toxic 50 Sport (2T)	50	2012	2012	F	
		Race 2 125 (4T)	125	2010		F	
		Sirion 125 (4T)	125	2012		F	
	KYMCO	B	HEROISM 50	50	1995	1997	F
		B	HEROISM 125	125	1995	1997	F
		B	HEROISM 150	150	1995	1997	F
	PEUGEOT		E-Vivacity (Electric)		2010		F
FDB2192	HONDA	B NH 50 LEAD	50	1988	1992	F	
		B NH 80 LEAD	80	1988		F	
		B RS 125 R	125	1991	1994	R	
		B RS 250	250	1993	1994	R	
KYMCO	B	MANBOY 50	50	1995		F	
	B	SP 90 YUP	90	1995		F	
SYM		E Woo - Electric		2011		F	
		E-Symmetry(Electric)		2012	2013	F	
		E-VividDeluxe (Electric)		2012		F	
	B	BULLET 50	50	1993		F	
	B	FEEL BIG 50	50	1998	2002	F	
		Mio 50	50	2005	2013	F	
	B	PURE 50	50	1998	2002	F	
		Tonick 50	50	2011		F	
		Mio 100	100	2005	2014	F	
		Tonik 110 (4T)	110	2011	2013	F	
	Tonick 125	125	2011		F		
FDB2193	CFMOTO	A CF 500(Terracross) Left	500	2011	2012	R	
	A	CF 500-3 (Rancher 500 Side x Side) Left	500	2010	2012	R	



			CC	FROM	TO	FRONT / REAR	
QUADZILLA	A	CF 625 - B/C (X6 Terranlander)	625	2011	2012	R	
	A	CF 625-3 (Z6 Terracross) Left	625	2011	2012	R	
	A	CF 800-2 (Terranlander)	800	2012		R	
	A	CUV 500 Side X Side	500	2010	2011	R	
	A	QZ 500 E/ES 4x4	500	2009	2011	R	
	A	RL 500 MK 11 Buggie	500	2010	2011	R	
	A	RS 5 4WD	500	2010	2011	R	
	A	Z6 4X4	600	2010	2013	R	
	YAMAHA ATV	A	YFM 660 Ducks Unlimited Ed.-side by side	660	2006	2007	R
		A	YFM 660 GRIZZLY	660	2002	2008	R
FDB2194	YAMAHA	B TZ 125	125	1997		R	
		B TZ 250 (Radial Caliper)	250	2002		R	
		B TZ 250 A - GP	250	1990	2001	R	
		B TZR 250 R	250	1994		R	
FDB2195	HONDA ATV	A TRX 500 FA/FAA Fourtrax Foreman Rubicon	500	2005	2010	F	
		A TRX 500 FGA Fourtrax Foreman Rubicon Gpscape	500	2005	2009	F	
		A TRX 500 FPA9 Fourtrax Foreman Rub.Gpscape EPS	500	2009		F	
		A TRX 500 TM/FE/FA/FMA/FPPE/FPM Fourtrax Foreman	500	2005	2010	F	
		A TRX 680 Fourtrax Rincon	680	2006	2010	F	
		A TRX 680 Fourtrax Rincon Gpscape	680	2006	2009	F	
		A TRX 700 XX (8/XX9)	700	2008	2009	R	
FDB2196	HARLEY DAVIDSON	B XL 883 L Super Low (Cast Wheels)	883	2014		F	
		B XL 883 N Iron (Cast Wheels)	883	2014		F	
		B XL 883 R ROADSTER (Cast Wheels)	883	2014		F	
		B XL 1200 C CUSTOM (Spoke Wheels)	1200	2014		F	
		B XL 1200 V - Seventy Two	1200	2014		F	
		B XL 1200 X - Forty Eight	1200	2014		F	
HONDA	B	FES 125 S-WING	125	2007		F	
	B	SH 125i	125	2009	2012	F	
	B	SH 125i R	125	2010	2012	F	
	B	FES 150 S-WING	150	2007	2013	F	
	B	SH 150i	150	2009	2012	F	
	B	SH 150i R	150	2010	2012	F	
	B	CBR 250 R ABS	250	2011		F	
	B	NSS 250 FORZA EX (ABS)	250	2005	2008	F	
	B	NSS 250 FORZA X	250	2005	2008	F	
	B	NSS 250 FORZA Z (ABS)	250	2005	2006	F/R	
			NSS 300 FORZA (ABS)	300	2013		F
	B	SH 300i	300	2006	2014	F	
			SH 300i ABS	300	2006		F
	B	SW-T 400	400	2009		F	
B	CBF 500 ABS	500	2004	2007	F		
B	CB 600 F HORNET ABS	600	2007		F		
B	CBF 600 N / S / ABS	600	2008		F		
B	SW-T 600 ABS	600	2011		F		
B	DEAUVILLE TRAVEL	680	2007		F		
B	DN-01 Sports Cruiser	680	2009		F		
B	NT 700 DEAUVILLE 680 / ABS	680	2006		F		
B	TRANSALP 680	680	2008		F		
B	INTEGRA 700 (NC700DC,DD)	700	2012		F		
B	NC 700 SA,XA (manual gearbox - ABS)	700	2012		F		
B	NC 700 SD,XD (automatic gearbox - ABS)	700	2012		F		
B	VT 750 C2 SHADOW	750	2010	2012	F		
B	CROSSRUNNER	780	2011		F		
B	VFR 800	800	2006		F		
B	VFR 800 XC (Crossrunner)	800	2012		F		
B	CBF 1000 / Special Ed. (ABS System)	1000	2006		F/R		
B	CBF 1000 / ST	1000	2011		F		
B	XL 1000 VARADERO A4 (ABS)	1000	2004		F		
B	CB 1100	1100	2013		F		
B	VFR 1200 XA Crosstourer (Manual Transmission) SC70	1237	2012		F		
B	VFR 1200 XD-DCT Crosstourer (Autom. Transm.) SC70	1237	2012		F		
B	VFR 1200 XD-DCT Crosstourer Highlander (Aut. Tr.) SC70	1237	2013		F		
B	CB 1300 S	1300	2011		F		
B	CTX1300	1300	2014		F		
B	ST 1300 PAN EUROPEAN / ABS	1300	2008		F		
B	SIXTEEN 125 UH	125	2008		F		
B	UH 125 BURGMAN	125	2007	2013	F		
B	SIXTEEN 150 UH	150	2008		F		
B	UH 200 BURGMAN	200	2007	2013	F		
B	VLR 1800 INTRUDER C1800 R/RT	1800	2008		F		
FDB2197	SUZUKI	B RM 85 L	85	2005		R	
FDB2198	MV AGUSTA	B F4 750 Brutale	750	1999		R	
		B BRUTALE 910 / Hydrogen	910	2007		R	
		B BRUTALE 910 R / Starfighter	910	2006		R	
		B 920 - Brutale	920	2011	2012	R	
		B BRUTALE 989 R	989	2008		R	
		B BRUTALE 990 R	990	2010		R	

3054

B = Bike
A = ATV
S = Snowmobile

Updated on 9th Oct 2015

B = Bike
A = ATV
S = Snowmobile



CC FROM TO FRONT / REAR

Code	Brand	Model	CC	FROM	TO	FRONT / REAR		
...FDB2198		B F4 1000	1000	2003	2005	R		
		B F4 1000 R (1+1)	1000	2006	2007	R		
		B F4 Stealth Italian Flag	1000	2010		R		
		B F4 Stealth Italian Flag	1000	2010		R		
		B F4 VELTRO	1000	2008	2009	R		
		B BRUTALE 1078 R	1078	2008		R		
		B BRUTALE 1078 R	1078	2008		R		
		B F4 100CC	1078	2007	2008	R		
		B F4 312 R	1078	2007		R		
		B F4 312 R	1078	2007		R		
		B F4 RR 1078	1078	2008		R		
		B F4 RR 1078	1078	2008		R		
		B BRUTALE 1090 RR	1090	2010		R		
		B BRUTALE 1090 RR	1090	2010		R		
		FDB2200	MBK YAMAHA	B SKYLINER 400	400	2004		R
B CP 250 (1B71) Maxam/Morphus	250			2005	2008	R		
B YP 400 MAJESTY	400			2004	2004	R		
B YP 400 MAJESTY (ABS)	400			2007		R		
B YP 400 MAJESTY (NO ABS)	400			2005		R		
B XP 500 T MAX	500			2004	2007	R		
B XP 500 T MAX	500			2008	2011	R		
B XP 500 T MAX SV (Tech Max)	500			2011		R		
B XP 500 T MAX SV ABS (Tech Max)	500			2011		R		
FDB2201	APRILIA			B RS4 50 (AJP caliper)	50	2011		F
		B RS4 50 (JJ caliper)	50	2011		F		
		B RS4 125 4T (AJP caliper)	125	2011		F		
		B RS4 125 4T (JJ caliper)	125	2011		F		
		B RS4 125 4T SBK Replica (JJ caliper)	125	2015		F		
	DERBI	B GPR 50	50	2010		F		
		B GPR 125	125	2010		F		
		B GPR 125 / NUDE (Radial Caliper)	125	2004	2009	F		
	PEUGEOT	B NK7 (50cc) Naked	50	2009	2012	F		
		B XR7 (50cc) Full Fairing	50	2008	2012	F		
FDB2202	HARLEY DAVIDSON	B FXSTD/I Softail Deuce	1450	2006		R		
		B FXSTS/FXSTSi Softail Springer	1450	2006		R		
		B FLSTC Heritage Softail Classic	1584	2007	2008	R		
		B FLSTF/FLSTFi Fat Boy	1584	2007		R		
		B FLSTSC/FLSTSci Springer Softail Classic	1584	2006	2007	R		
		B FXST/FXSTi Softail Standard	1584	2006	2007	R		
		B FXSTB/FXSTBi Night Train Softail	1584	2006	2007	R		
		B FXSTC Softail Custom	1584	2007		R		
		B FXSTD Softail Deuce	1584	2007		R		
		FDB2203	KAWASAKI	B ZX 6RR (ZX 599 B1) - Racing Applications	599	2003	2006	F
B ZX 6R (ZX 636 K1) - Racing Applications	636			2003	2006	F		
B ZX-10R 1000 - Racing Applications	1000			2004		F		
B ZX-12R 1200 - Racing Applications	1200			2004		F		
B GSX-R 1000 K3 - Racing Applications	1000			2003		F		
FDB2204	SUZUKI	B GSX-R 600 - Racing Applications	600	2004	2005	F		
		B GSX-R 600 - Racing Applications	600	2006		F		
		B GSX-R 750 - Racing Applications	750	2004	2005	F		
		B GSX-R 750 - Racing Applications	750	2006		F		
		B GSX-R 1000 - Racing Applications	1000	2004	2008	F		
		B GSX-R 1000 - Racing Applications	1000	2009		F		
FDB2205	HONDA	B CBR 600 RR - Racing Applications	600	2005		F		
		B CBR 1000 FIREBLADE - Racing Applications	1000	2004	2005	F		
FDB2206	BETA	B RR 50 Enduro	50	2004	2007	R		
		B RR 50 Motard (Spoke Wheel)	50	2009	2012	R		
		B ALP 125 4T	125	2005	2012	R		
		B Urban 125	125	2008	2012	R		
		B ALP 200 4T	200	2005	2012	R		
		B URBAN 200	200	2008	2012	R		
		B ALP 4.0 350 4T	350	2005	2012	R		
		B M4 Supermotard	350	2006	2012	R		
		FDB2207	PIAGGIO	B MP3 125 ie	125	2006		R
				B X8 125	125	2005		R
B X8 125 ie	125			2007		R		
B MP3 250	250			2007		R		
B X8 250	250			2006		R		
B X8 250 ie	250			2007		R		
B X9 250 Evolution (right)	250			2005	2005	R		
B MP3 LT 400 ie	400			2009		R		
B BEVERLY 500	500			2006	2006	R		
FDB2208	YAMAHA			B YP 125 R X-MAX (Brembo Front) NO ABS	125	2006	2009	F
		B CELLOW 225	225	2005		F		
		B YP 250 R X-MAX (Brembo Front Caliper) NO ABS	250	2005	2009	F		
FDB2210	HARLEY DAVIDSON	B VRSC V-Rod (Brembo Caliper)	1130	2006	2008	F/R		
		B VRSCD Night Rod (Cast Wheel)	1130	2006		F/R		
		B VRSCR Street Rod	1130	2006		F/R		



CC FROM TO FRONT / REAR

Code	Brand	Model	CC	FROM	TO	FRONT / REAR
		B VRSCAW V-Rod	1250	2007	2008	F/R
		B VRSCAW V-Rod (Spoke wheel)	1250	2008		F/R
		B VRSCDX Night Rod Special (Cast Wheel)	1250	2008		F/R
		B VRSCF V-Rod Muscle	1250	2008		F/R
		B VRSCX V-Rod	1250	2008		F/R
		B FLHR Road King	1584	2008	2012	F/R
		B FLHRC Road King Classic	1584	2008		F/R
		B FLHT Electra Glide Standard	1584	2008	2010	F/R
		B FLHTC Electra Glide Classic	1584	2008	2012	F/R
		B FLHTCU Ultra Classic Electra Glide	1584	2007	2010	F/R
		B FLHTK Electra Glide Ultra LTD	1584	2010	2012	F/R
		B FLHX Street Glide	1584	2008		F/R
		B FLTR Road Glide	1584	2008	2009	F/R
		B FLTRU Road Glide Ultra	1584	2011	2012	F/R
		FDB2212	BENELLI HONDA	B BN 302	300	2015
B FES 125 S-WING	125			2007		R
B NSS 125 FORZA	125			2015		R
B SH 125i	125			2009	2012	R
B SH 125i (2 piston caliper)	125			2013		R
B SH 125i ABS	125			2013		R
B SH 125i R	125			2010		R
B FES 150 S-WING	150			2007	2013	R
B SH 150i	150			2009	2012	R
B SH 150i ABS (2 piston caliper)	150			2013		R
FDB2213	SUZUKI	B SH 150i R	150	2010	2012	R
		B NSS 250 FORZA EX (ABS)	250	2005	2008	R
		B NSS 250 FORZA X	250	2005	2008	R
		B NSS 300 FORZA (ABS)	300	2013		R
		B SH 300i	300	2006	2014	R
		B SH 300i (SH30)	300	2015		R
		B SH 300i ABS	300	2006		R
		B GSR 600 /A / ABS	600	2006	2008	R
		B GSX-R 600	600	2006	2010	R
		B GSX-R 600 - Racing Applications	600	2006		R
FDB2214	ARCTIC CAT ATV	B GSX-R 750	750	2006	2010	R
		B GSX-R 750 - Racing Applications	750	2006		R
		B DL V-STROM 1000 ABS	1000	2014		R
		B GSX-R 1000	1000	2007	2008	R
		B GSX-R 1000 Yoshimura 2008	1000	2010		R
		B GSX 1300 B-KING / Hyaku	1300	2007		R
		B GSX-R 1300	1300	2008		R
		B GSX-R 1300 HAYABUSA (Tokico Front std caliper)	1300	2008	2012	R
		B GSX-R 1300 HAYABUSA ABS (Brembo Caliper-Racing pad)	1300	2013		R
		B GSX-R 1300 HAYABUSA ABS (Brembo Caliper-Road pad)	1300	2013		R
FDB2216	APRILIA	B B-KING	1340	2010		R
		A F-series Diamond Drive		2005		F
FDB2217	YAMAHA	B RS 125	125	2006		F
		B RS 125 2T RADIAL CALIPER	125	2006	2012	F
		B SL 750 SHIVER ABS / GT	750	2008		F
		B SMV 750 Dorsoduro (NO ABS/ABS)	750	2008		F
		B NA 850 MANA ABS / GT	850	2008		F
FDB2218	APRILIA	B Xciting 400i	400	2013		F
		B Xciting 400i ABS	400	2014		F
		B Xciting 400i R	400	2015		F
		B MT-125 ABS	125	2015		F
		B YZF-R 125	125	2014		F
FDB2219	YAMAHA	B YZF 1000 R1	1000	2007		F
		B MT-01 1670	1670	2007		F
		B V-MAX	1680	2008		F
FDB2220	APRILIA	B RSV4 Factory /APRC SE /R (Racing version pad)	1000	2008		F
		B RSV4 Factory APRC ABS (Racing version pad)	1000	2013		F
		B RSV4 R APRC ABS (Racing version pad)	1000	2013		F
		B DB7 Oronero Millenovantotto	1098	2009		F
		B HP4 1000 (K42) - Racing version pad	1000	2013		F
		B HP2 Sport 1200 (Racing version pad)	1200	2008		F
		B Superbike 848 EVO (Racing version pad)	848	2011		F
		B Desmosedici RR (Lim. Ed.)(Racing version pad)	1000	2008		F
		B 1098 /1098 S / 1098 R Bayliss Lim. Ed. (Racing pad)	1098	2007		F
		B STREETFIGHTER S (Racing version pad)	1099	2011		F
		B HYPERMOTARD 1100 SPE/EVO SPI/Corse ed. (Racing pad)	1100	2010		F
		B HYPERMOTARD 1100S (Racing version pad)	1100	2007		F
		B Streetfighter / S (Racing version pad)	1100	2010		F
		B 1199 Panigale (ABS Std) (Racing version pad)	1198	2014		F

B = Bike
A = ATV
S = Snowmobile

FERODO
MOTORCYCLE PADS
Updated on 9th Oct 2015

B = Bike
A = ATV
S = Snowmobile

3055



CC FROM TO FRONT / REAR

Code	Brand	Model	CC	FROM	TO	FRONT / REAR	
...FDB2218	HONDA	B 1199 Panigale R (ABS Std) (Racing version pad)	1198	2014		F	
		B 1199 Panigale S (ABS Std) (Racing version pad)	1198	2012		F	
		B DIAVEL CARBON 1200 (ABS Std) (Racing version pad)	1198	2014		F	
		B DIAVEL DARK 1200 (ABS Std) (Racing version pad)	1198	2014		F	
		B DIAVEL STRADA 1200 (ABS Std) (Racing version pad)	1198	2014		F	
		B DIAVEL TITANIUM 1200 (ABS Std) (Racing pad)	1198	2015		F	
		B MULTISTRADA 1200S (Racing version pad)	1198	2015		F	
		B MULTISTRADA 1200S D air (Racing version pad)	1198	2015		F	
		B SUPERBIKE 1198 / S / S Corse / R / SP (Racing pad)	1198	2009		F	
		B 1199 Panigale Superleggera (Racing version pad)	1199	2014		F	
		B DIAVEL 1200 (ABS Std) (Racing version pad)	1200	2011		F	
		B MONSTER 1200S (Racing version pad)	1200	2014		F	
		B MONSTER 1200S Stripe (Racing version pad)	1200	2015		F	
		B 1299 Panigale (ABS Std) (Racing version pad)	1285	2015		F	
		B 1299 Panigale S (ABS Std) (Racing version pad)	1285	2015		F	
		B CBR1000RR Fireblase SP (Racing version pad)	1000	2014		F	
		B RCV 213 (Racing version pad)	1000	2015		F	
		B FS 450 (4T)	450	2015		F	
		B NINJA H2 (Racing version pad)	1000	2015		F	
		B NINJA H2R (Racing version pad)	1000	2015		F	
KAWASAKI	B 690 DUKE R (ABS Std) (Racing version pad)	690	2013		F		
	B 990 SMR (Racing version pad)	990	2010		F		
KTM	B 1190 RC8 (Racing version pad)	1190	2008	2011	F		
	B 1190 RC8 R (ABS Std) (Racing version pad)	1190	2009		F		
MOTO GUZZI	B SUPERDUKE R 1290 (ABS Std) (Racing version pad)	1301	2014		F		
	B SUPERDUKE R 1290 PROTO (Racing version pad)	1301	2013		F		
MV AGUSTA	B GRANFERRO 1200	1200	2010		F		
	B V12 X / Strada	1200	2010		F		
SUZUKI	B F4 Stealth Italian Flag	1000	2010		F		
	B BRUTALE 1078 R	1078	2008		F		
TRIUMPH	B F4 312 R	1078	2007		F		
	B F4 RR 1078	1078	2008		F		
SUZUKI	B BRUTALE 1090 RR	1090	2010		F		
	B GSX-R 600 (Racing version pad)	600	2011		F		
SUZUKI	B GSX-R 750 (Racing version pad)	750	2011		F		
	B GSX-R 1000 ABS (Racing version pad)	1000	2015		F		
SUZUKI	B GSX-R 1000 No ABS (Racing version pad)	1000	2012		F		
	B GSX-S 1000 ABS (Racing version pad)	1000	2015		F		
SUZUKI	B GSX-S 1000 F ABS (Racing version pad)	1000	2015		F		
	B GSX-R 1300 HAYABUSA ABS (Brembo Caliper - Racing pad)	1300	2013		F		
TRIUMPH	B DAYTONA 675 R (Racing version pad)	675	2011	2012	F		
	B DAYTONA 675 R (Racing version pad)	675	2013		F		
B SPEED TRIPLE R 1050 (Racing version pad)	1050	2012		F			
FDB2219	YAMAHA	B YZ 125	125	2008		F	
		B YZ 250 (2T)	250	2008		F	
		B YZ 250 F (4T)	250	2007		F	
		B YZ 450 F	450	2008		F	
FDB2220	KAWASAKI	B ZX 6R 600 NINJA	600	2007		F	
		B Z 750 R	750	2011		F	
		B Z 1000	1000	2007	2009	F	
		B Z 1000 / SE	1000	2012		F	
		B Z 1000 SX	1000	2012		F	
		B 1400 GTR	1400	2007		F	
		B 1400 GTR	1400	2015		F	
		B ZZR 1400	1400	2006		F	
FDB2221	HONDA	B CB 600 F HORNET	600	2007		R	
		B CBR 600 F / ABS	600	2011		R	
		B CBR 600 RR / Lim. Ed. / Fireblade Repsol	600	2007		R	
		B CBR 1000 FIREBLADE RR / Hansspree Ed.	1000	2006		R	
		B CBR 1000RR Fireblade	1000	2014		R	
		B CBR1000RR Fireblase SP (Racing version pad)	1000	2014		R	
		B CBR1000RR Fireblase SP (Road version pad)	1000	2014		R	
		B ZX 6R 636 NINJA	636	2013		R	
		B ZX-10R 1000	1000	2011		R	
		SUZUKI	B GSX-R 600 (Racing version pad)	600	2011		R
			B GSX-R 600 (Road version pad)	600	2011		R
		SUZUKI	B GSX-R 750 (Racing version pad)	750	2011		R
			B GSX-R 750 (Road version pad)	750	2011		R
		SUZUKI	B GSX-R 1000	1000	2009	2011	R
			B GSX-R 1000 - Racing Applications	1000	2009		R
		SUZUKI	B GSX-R 1000 ABS (Racing version pad)	1000	2015		R
			B GSX-R 1000 ABS (Road version pad)	1000	2015		R
		SUZUKI	B GSX-R 1000 Alstare 25 Ann.	1000	2010		R
			B GSX-R 1000 No ABS (Racing version pad)	1000	2012		R
		SUZUKI	B GSX-R 1000 No ABS (Road version pad)	1000	2012		R
B GSX-S 1000 ABS (Racing version pad)	1000		2015		R		
SUZUKI	B GSX-S 1000 ABS (Road version pad)	1000	2015		R		
	B GSX-S 1000 F ABS (Racing version pad)	1000	2015		R		



CC FROM TO FRONT / REAR

Code	Brand	Model	CC	FROM	TO	FRONT / REAR
YAMAHA	YAMAHA	B GSX-S 1000 F ABS (Road version pad)	1000	2015		R
		B YZF 1000 R1	1000	2015		R
		B YZF 1000 R1M	1000	2015		R
FDB2224	YAMAHA	B NCX 125 CYGNUS X 220mm disc (5ML)	125	2004	2006	F
		B NCX 125 CYGNUS X 240mm disc (4P9)	125	2006	2013	F
FDB2225	HONDA	B CYGNUS X 250	250	2007		F
		B SH 125i (2 piston caliper)	125	2013		F
KYMCO	KYMCO	B SH 125i ABS	125	2013		F
		B SH 150i ABS (2 piston caliper)	150	2013		F
KYMCO	KYMCO	B SH 300i (SH30)	300	2015		F
		B DOWNTOWN 125 i (Super Dink V21000)	125	2009		F
KYMCO	KYMCO	B DOWNTOWN 200 i (Super Dink V22000)	200	2010		F
		B PEOPLE 250	250	2003	2005	R
KYMCO	KYMCO	B XCITING 250	250	2006	2008	F
		B DOWNTOWN 300 i (Super Dink V20000)	300	2009	2012	F
KYMCO	KYMCO	B XCITING 300 i	300	2008	2008	F
		B XCITING 300 i R	300	2009		F
KYMCO	KYMCO	B Xciting 400i	400	2013		R
		B Xciting 400i ABS	400	2014		R
KYMCO	KYMCO	B Xciting 400i R	400	2015		R
		B XCITING 500 (T70000)	500	2005	2005	R
KYMCO	KYMCO	B XCITING 500 / 500i	500	2005		F
		B XCITING 500 i (T20020)	500	2006	2008	R
KYMCO	KYMCO	B XCITING 500 i R (T70030)	500	2007		F/R
		B XCITING 500 R (T70021)	500	2009	2009	R
FDB2226	KYMCO	B MYROAD 700i	700	2011	2012	F/R
		B XCITING 300 i R	300	2009		R
PEUGEOT	PEUGEOT	B LXR 125 (4T)	125	2010	2012	R
		B LXR 200i (4T)	200	2010	2011	R
SYM	SYM	B City Com 125	125	2008	2013	R
		B GTS 125	125	2006	2009	F/R
SYM	SYM	B GTS 125 i	125	2010		R
		B HD Evo 125 (Carb & EFI Models/4T/Single Headlight)	125	2003		R
SYM	SYM	B HD2- 125i (4T)	125	2010		R
		B JOYRIDE (Euro2 - Euro3)	125	2005	2006	R
SYM	SYM	B JOYRIDE 125 EURO2	125	2005	2006	R
		B Joyride 125 i	125	2007	2009	R
SYM	SYM	B Joyride EVO 125 i (Twin Headlights)	125	2009		R
		B SB 125 Ni - Wolf (EFI Model)	125	2011		F
SYM	SYM	B HD 200 EVO Euro 2-3 / EVO 1 Euro 2-3	200	2005	2006	R
		B HD2-200i (Twin H/Lights/4T)	200	2010		R
SYM	SYM	B HD200 S Evo	200	2007		R
		B Joyride 200 i	200	2007	2009	R
SYM	SYM	B Joyride EVO 200 i	200	2009		R
		B GTS 250	250	2007	2008	R
SYM	SYM	B GTS 250i / Joymax (All Models)	250	2009		R
		B JOYMAX 250	250	2006	2007	R
SYM	SYM	B Joymax 250 i	250	2007	2008	R
		B GTS 300/Joymax (All Models)	300	2008		R
SYM	SYM	B Quadlander 200	200	2012	2013	R
		B Trackrunner 200 Quad	200	2005	2009	R
SYM	SYM	B Quadlander 250	250	2005	2009	R
		B Citymax 300 Quad	300	2006		R
TGB	TGB	B X-Motion125	125	2008		R
		B X-Motion125 R i	125	2011	2012	R
TGB	TGB	B X-Motion250i	250	2008	2010	R
		B X-Motion300 Efi	300	2010	2012	R
FDB2230	YAMAHA	A YFM 250 R Raptor (right)	250	2008		F
		A YFM 250 RSPX Special Edition Custom (Right)	250	2008		F
		A YFM 550 4x4 Grizzly (right)	550	2008		F
		A YFM 700 Ducks Unlimited Edition (Right)	700	2007	2009	F
		A YFM 700 GRIZZLY (right)	700	2008		F
		A YFM 700 GRIZZLY (left)	700	2008		F
FDB2231	YAMAHA	A YFM 250 R Raptor (left)	250	2008		F
		A YFM 250 RSPX Special Edition Custom (Left)	250	2008		F
		A YFM 550 4x4 Grizzly (left)	550	2008		F
		A YFM 700 Ducks Unlimited Edition (Left)	700	2007	2009	F
		A YFM 700 GRIZZLY (left)	700	2008		F
		A YFM 700 GRIZZLY (right)	700	2008		R
FDB2232	YAMAHA	A YFM 550 4x4 Grizzly (right)	550	2008		R
		A YFM 700 Ducks Unlimited Edition (Right)	700	2007	2009	R
		A YFM 700 GRIZZLY (right)	700	2008		R
FDB2233	YAMAHA	A YFM 550 4x4 Grizzly (left)	550	2008		R
		A YFM 700 Ducks Unlimited Edition (Left)	700	2007	2009	R
		A YFM 700 GRIZZLY (left)	700	2008		R
FDB2235	YAMAHA	A YFM 700 RAPTOR (left) - All Models	700	2006		R
FDB2236	POLARIS	A Ranger 2x4/4x4 - side by side		2004	2005	F/R
		A Ranger 6x6 - side by side		2004	2005	F/R
		A Ranger EV (Electric) - side by side		2010	2011	R
		A Ranger TM - side by side		2004		F/R



CC FROM TO FRONT / REAR

CC	FROM	TO	FRONT / REAR
...FDB2236	A	Ranger XP - side by side	2005 F/R
	A	Ranger 400 - side by side	400 2010 R
	A	Ranger 500 (2x4/4x4) - side by side	500 2006 2007 F/R
	A	Ranger 500 (Carb) 2x4 -side by side	500 2009 R
	A	Ranger 500 (EFI) 4x4 H.O. - side by side	500 2009 2011 R
	A	Ranger 500 2x4 - side by side	500 2008 R
	A	Ranger 500 4x4 EFI - side by side	500 2006 2007 F/R
	A	Ranger 500 4x4 EFI - side by side	500 2008 R
	A	Ranger 500 Crew - side by side	500 2011 R
	A	Ranger 700 4x4 EFI - side by side	700 2009 R
	A	Ranger 700 4x4 EFI/LE - side by side	700 2007 F/R
	A	Ranger 700 6x4 EFI - side by side	700 2008 R
	A	Ranger 700 6x6 EFI - side by side	700 2006 2009 F/R
	A	Ranger 700 XP 4x4 - side by side	700 2006 2008 F/R
	A	Ranger 700 XP 4x4 - side by side	700 2008 R
	A	Ranger 800 6x6 - side by side	800 2010 R
	A	Ranger 800 Crew - side by side	800 2010 R
	A	Ranger 800 HD - side by side	800 2010 R
	A	Ranger 800 RZR-4 EFI - side by side	800 2010 R
	A	Ranger 800 RZR-4 EPS - side by side	800 2012 2012 R
	A	Ranger 800 XP - side by side	800 2010 2012 R
	A	Polaris Razor XP900 - side by side	900 2012 R
	A	Ranger 900 D 4x4 Diesel - side by side	900 2011 R
	A	Ranger 900 RZR XP - side by side	900 2011 2012 R
FDB2238	YAMAHA	XC 115 D'elight	115 2014 F
	B	VITY 125	125 2008 F
	B	YBR 125 (3D92/9)	125 2007 2009 F
	B	YBR 125 (51D1/2)	125 2010 2014 F
	B	YBR 125 Custom	125 2008 2013 F
	B	CRYPTON T135	135 2006 F
	B	YZF-R15	150 2011 F
FDB2240	BUELL	B 1125CR	1125 2009 2010 F
	B	1125R	1125 2008 2010 F
	B	XB12 R Firebolt	1200 2009 2010 F
	B	XB12 S Lightning	1200 2009 2010 F
	B	XB12 SCG Lightning	1200 2009 2010 F
	B	XB12 Ss Lightning Long	1200 2009 2010 F
	EBR	B 1190RX	1190 2014 2015 F
	B	1190SX	1190 2014 2015 F
FDB2242	AJP	B PR5 250 Enduro	250 2010 2011 F
	B	PR5 250 Supermoto	250 2010 2011 F
	DERBI	B Cross City 125	125 2009 F
	B	Mulhacen 125 (4T) From ref no.: 7N001791	125 2007 2010 F
	B	TERRA 125	125 2007 2008 F
	B	TERRA 125 ADVENTURE	125 2008 2009 F
	B	TERRA 125 ADVENTURE	125 2010 2013 F
	FANTIC	B TR 125 CR (2T) Cross Competizione	125 2013 F
	B	TR 125 MR (2T) Motard Competizione	125 2013 F
	B	TZ 125 CS (2T) Caballero Cross	125 2011 2012 F
	B	TZ 125 ES (2T) Regolarita Scuderia	125 2011 2012 F
	B	TZ 125 SM (2T) Caballero Motard	125 2011 2012 F
	B	TZ 170 E (125 E / 4T) Regolarita Casa	170 2011 2013 F
	B	TZ 170 ER (125 ER / 4T) Caballero Regolarita Comp.	170 2011 2013 F
	B	TZ 170 SM (125 SM/ 4T) Motard Casa	170 2011 2013 F
	B	TX 180 E (49cc/2T) Regolarita Casa 50E	180 2011 2013 F
	B	TX 180 ER (49cc/2T) Regolarita Competizione 50ER	180 2011 2013 F
	B	TX 180 ES (49cc/2T) Regolarita Scuderia 50ES	180 2011 2013 F
	B	TX 180 MR (49cc/2T) Motard Competizione 50MR	180 2011 2013 F
	B	TX 180 SM (49cc/2T) Motard Casa 50M	180 2011 2013 F
	B	TZ 200 ER (200 ER / 4T) Caballero Regolarita Comp.	200 2011 2013 F
	B	TZ 200 MR (200 MR / 4T) Motard	200 2011 2013 F
	B	TF 250 ES (4T)	250 2011 2013 F
	B	TR 250 ES (2T) Enduro Six Day	250 2013 F
	B	TR 300 ES (2T) Enduro Six Day	300 2013 F
	B	TZ 300 ES Regolarita Scuderia	300 2011 2012 F
	HONDA	B CRF 250 LD	250 2013 F
	B	CRF250M Supermoto	250 2014 F
	HONDA-HM ITALIA	B CRE Baja RR HM 125 2T	125 2011 F
	RIEJU	B MTR 50 Competizione (Spoke Wheel)	50 2011 F
	B	Marathon Pro 125 Competizione (Spoke Wheel)	125 2011 F
	B	TANGO 125	125 2011 F
	B	TANGO 250	250 2012 2013 F
	SCORPA	B T-Ride 125 F (Enduro)	125 2010 F
	B	T-Ride 250 F (Enduro)	250 2008 2011 F
FDB2243	SKI DOO SNOWMOBILE	S REV XP	2008 F
FDB2244	HONDA	B CRM F 450 / R / X / RR (Magura 4 pistons)	450 2008 F
	KTM	B 450 SMR	450 2007 F
	B	560 SMR	560 2007 F



CC FROM TO FRONT / REAR

CC	FROM	TO	FRONT / REAR
FDB2245	APRILIA	B SXV 450	450 2005 2007 F
	B	SXV 550	550 2005 F
	B	PEGASO 650 Factory	650 2008 F
	HUSABERG	B FE 450 c	450 2006 F
	B	FS 650 e, c	650 2006 F
	KTM	B SX 450 SMR	450 2005 2006 F
	B	SX 525 SMR	525 2005 F
FDB2248	KAWASAKI	B J300	300 2014 R
	KYMCO	B DOWNTOWN 125 i (Super Dink V21000)	125 2009 R
	B	G-DINK 125i	125 2012 R
	B	NEW DOWNTOWN 125 i	125 2015 R
	B	DOWNTOWN 200 i (Super Dink V22000)	200 2010 R
	B	DOWNTOWN 300 i (Super Dink V20000)	300 2009 2012 R
	B	DOWNTOWN 300 i ABS	300 2010 R
	B	DOWNTOWN 350i Sporty-Touring-Confortable	350 2015 R
FDB2250	HARLEY DAVIDSON	B FXCW Rocker (Cast wheel)	1450 2008 2009 F
	B	FLSTC Heritage Softail Classic	1584 2008 2014 F
	B	FLSTF Fat Boy	1584 2008 2014 F
	B	FLSTF Fat Boy (Solid wheel)	1584 2008 2014 F
	B	FLSTFB Fat Boy Special/LO	1584 2010 2013 F
	B	FLSTN Softail Deluxe (Spoke wheel)	1584 2008 2014 F
	B	FXCWC Rocker C (Cast wheel)	1584 2008 2011 F
	B	FXD Super Glide (Cast wheel)	1584 2008 2010 F
	B	FXDB Street Bob (Spoke wheel)	1584 2008 2013 F
	B	FXDC Super Glide Custom (Spoke wheel)	1584 2008 F
	B	FXDF Fat Bob (Cast wheel)	1584 2008 F
	B	FXDL Low Rider (Cast wheel)	1584 2008 2009 F
	B	FXDWG Wide Glide (Spoke wheel)	1584 2008 F
	B	FXSTB Night Train (Spoke wheel)	1584 2008 2009 F
	B	FXSTC Softail Custom (Spoke wheel)	1584 2008 2010 F
	B	FXSTI Softail Standard	1584 2008 2014 F
	B	FLD Switchback	1690 2012 F
	B	FLHTC Electra Glide Classic	1690 2011 F
	B	FLS Softail Slim	1690 2012 2014 F
	B	FLSTF Fat Boy LO	1690 2010 2014 F
	B	FXDB Street Bob (Spoke wheel)	1690 2014 F
	B	FXDC Super Glide Custom (Spoke wheel)	1690 2014 F
	B	FXS Blackline	1690 2011 2013 F
	B	FXSB Breakout	1690 2013 2014 F
FDB2251	HARLEY DAVIDSON	B FXCW Rocker (Cast wheel)	1450 2008 2009 R
	B	FLSTC Heritage Softail Classic	1584 2008 2014 R
	B	FLSTC Heritage Softail Classic	1584 2015 R
	B	FLSTC Heritage Softail Deluxe	1584 2015 R
	B	FLSTF Fat Boy	1584 2008 2014 R
	B	FLSTF Fat Boy	1584 2015 R
	B	FLSTF Fat Boy (Solid wheel)	1584 2008 2014 R
	B	FLSTFB Fat Boy Special/LO	1584 2010 2013 R
	B	FLSTN Softail Deluxe (Spoke wheel)	1584 2008 2014 R
	B	FLSTSB Softail Cross Bones	1584 2008 2011 R
	B	FXCWC Rocker C (Cast wheel)	1584 2008 2011 R
	B	FXD Super Glide (Cast wheel)	1584 2008 2010 R
	B	FXDB Street Bob (Spoke wheel)	1584 2008 2013 R
	B	FXDC Super Glide Custom (Spoke wheel)	1584 2008 R
	B	FXDF Fat Bob (Cast wheel)	1584 2008 R
	B	FXDL Low Rider (Cast wheel)	1584 2008 2009 R
	B	FXDWG Wide Glide (Spoke wheel)	1584 2008 R
	B	FXST Softail Standard	1584 2015 R
	B	FXSTB Night Train (Spoke wheel)	1584 2008 2009 R
	B	FXSTC Softail Custom (Spoke wheel)	1584 2008 2010 R
	B	FXSTI Softail Standard	1584 2008 2014 R
	B	FLD Switchback	1690 2012 R
	B	FLHTC Electra Glide Classic	1690 2011 R
	B	FLS Softail Slim	1690 2012 2014 R
	B	FLS Softail Slim	1690 2015 R
	B	FLSTF Fat Boy LO	1690 2010 2014 R
	B	FLSTF Fat Boy LO	1690 2015 R
	B	FXDB Street Bob (Spoke wheel)	1690 2014 R
	B	FXDC Super Glide Custom (Spoke wheel)	1690 2014 R
	B	FXS Blackline	1690 2011 2013 R
	B	FXSB Breakout	1690 2013 2014 R
	B	FXSB Breakout	1690 2015 R
FDB2252	TRIUMPH	B DAYTONA 675	675 2009 2012 F
	B	DAYTONA 675	675 2013 F
FDB2253	HONDA	B VFR 800 X Crossrunner	800 2015 R
	B	VFR 800 X Crossrunner Travel Edition	800 2015 R
	B	VFR 800 XC (Crossrunner)	800 2012 R
	B	CB 1000 R (No ABS)	1000 2009 R
	B	VFR 1200 FA (Manual Transmission) SC63	1237 2009 R

B = Bike
A = ATV
S = Snowmobile

B = Bike
A = ATV
S = Snowmobile



			CC	FROM	TO	FRONT / REAR		
FDB2254	KYMCO	B	K-XCT 125i	125	2012	R		
		B	PEOPLE / PEOPLE S 125	125	2006	R		
			PEOPLE GT 125i	125	2010	R		
			PEOPLE S 125 DD	125	2007	R		
			PEOPLE GTi 200	200	2010	R		
			PEOPLE S 200 i	200	2007	R		
		B	PEOPLE 250 S (Left side)	250	2006	2008	R	
			XCITING 250	250	2004	2005	R	
			XCITING 250	250	2006	2008	R	
			G-DINK 300i	300	2012	R		
			K-XCT 300i / ABS	300	2012	R		
			PEOPLE GTi 300 / ABS	300	2010	R		
			XCITING 300 i	300	2008	2008	R	
		FDB2255	BMW	B	S1000 R Naked (K47)	1000	2014	F
				B	S1000 RR	1000	2015	F
B	S1000 RR (K46)			1000	2010	2014	F	
FDB2256	HONDA	B	NSC 50 C,AC Vision & R	50	2012	F		
		B	NSC 110 WHB,AC Vision	110	2011	F		
		B	SCV 110 Lead (WHA)	110	2010	2011	F	
		B	PCX 125 (WW125 EX2)	125	2010	2013	F	
		B	PCX 125 LIMITED EDITION (WW125 EX2)	125	2012	F		
		B	PCX 150 (WW150)	150	2012	F		
		B	SATELIS 125	125	2013	F		
FDB2257	HUSQVARNA	B	DJANGO 150 (SPORT-ID-HERITAGE-EVASION-ALLURE)	150	2015	F		
		B	CR 65	65	2010	2013	R	
FDB2258	HONDA	B	TC 85 (2T/ 17"/14" Wheels)	85	2014	R		
		B	TC 85 (2T/ 19"/16" Wheels)	85	2014	R		
		B	Freeride E-SM		2015	R		
		B	Freeride E-SX		2015	R		
		B	Freeride E-XC		2015	R		
		B	Freeride Electric		2012	R		
		B	SX 85 (16"/19")	85	2012	R		
		B	SX 85 (17"/14")	85	2011	R		
		B	Freeride 250 R	250	2014	R		
		B	Freeride 350	350	2012	R		
		FDB2259	HONDA	B	CBR 250 R	250	2011	R
				B	CBR 250 R ABS	250	2011	R
				B	CBR300R	300	2014	R
				B	CB650F	650	2014	R
				B	CBR650F	650	2014	R
B	Z800 (ADS)			800	2013	R		
B	Z800 ABS (BDS)			800	2013	R		
B	Z800 E (CDS)			800	2013	R		
B	Z800 E ABS (DDS)			800	2013	R		
B	Inazuma 250			250	2013	R		
B	Inazuma 250F			250	2015	R		
B	Inazuma 250Z			250	2015	R		
B	SVF GLADIUS 650 (Right) NO ABS			650	2009	R		
B	SVF GLADIUS 650 ABS (Right)			650	2009	R		
FDB2260	APRILIA			B	RSV4 Factory /APRC SE /R	1000	2008	F
		B	RSV4 Factory APRC ABS (Road version pad)	1000	2013	F		
FDB2261	APRILIA	B	RSV4 R APRC ABS (Road version pad)	1000	2013	F		
		B	DB7 Oronero Millenovantotto	1098	2009	F		
		B	DB7 (1099cc)	1099	2009	F		
		B	DB8 (1198cc)	1198	2010	F		
		B	HP4 1000 (K42) - Road version pad	1000	2013	F		
		B	HP2 Sport 1200 (Road version pad)	1200	2008	F		
		B	Superbike 848 EVO (Road version pad)	848	2011	F		
		B	Desmosedici RR (Lim. Ed.) (Road version pad)	1000	2008	F		
		B	1098 /1098 S / 1098 R Bayliss Lim. Ed. (Road pad)	1098	2007	F		
		B	STREETFIGHTER S (Road version pad)	1099	2011	F		
		B	HYPERMOTARD 1100 SP / EVO SP / Corse ed. (Road pad)	1100	2010	F		
		B	HYPERMOTARD 1100S (Road version pad)	1100	2007	F		
		B	Streetfighter / S (Road version pad)	1100	2010	F		
		B	1199 Panigale (ABS Std) (Road version pad)	1198	2014	F		
		B	1199 Panigale R (ABS Std) (Road version pad)	1198	2014	F		
B	1199 Panigale S (ABS Std) (Road version pad)	1198	2012	F				
B	DIAVEL CARBON 1200 (ABS Std) (Road version pad)	1198	2014	F				
B	DIAVEL DARK 1200 (ABS Std) (Road version pad)	1198	2014	F				
B	DIAVEL STRADA 1200 (ABS Std) (Road version pad)	1198	2014	F				
B	DIAVEL TITANIUM 1200 (ABS Std) (Road version pad)	1198	2015	F				
B	MULTISTRADA 1200S (Road version pad)	1198	2015	F				
B	MULTISTRADA 1200S D air (Road version pad)	1198	2015	F				
B	SUPERBIKE 1198 / S / S Corse / R / SP (Road pad)	1198	2009	F				
B	1199 Panigale Superleggera (Road version pad)	1199	2014	F				
B	DIAVEL 1200 (ABS Std) (Road version pad)	1200	2011	F				



			CC	FROM	TO	FRONT / REAR			
FDB2262	HONDA	B	MONSTER 1200S (Road version pad)	1200	2014	F			
		B	MONSTER 1200S Stripe (Road version pad)	1200	2015	F			
		B	1299 Panigale (ABS Std) (Road version pad)	1285	2015	F			
		B	1299 Panigale S (ABS Std) (Road version pad)	1285	2015	F			
		B	CBR1000RR Fireblade SP (Road version pad)	1000	2014	F			
		B	RCV 213 (Road version pad)	1000	2015	F			
		HUSQVARNA	B	NUDA 900	900	2012	F		
			B	NUDA 900 ABS	900	2013	F		
			B	NINJA H2 (Road version pad)	1000	2015	F		
		KAWASAKI	B	NINJA H2R (Road version pad)	1000	2015	F		
			B	690 DUKE R (ABS Std) (Road version pad)	690	2014	F		
		KTM	B	990 SMR (Road version pad)	990	2010	F		
			B	1190 RC8 (Road version pad)	1190	2008	2011	F	
		MOTO GUZZI	B	1190 RC8 R (ABS Std) (Road version pad)	1190	2009	F		
			B	SUPERDUKE R 1290 (ABS Std) (Road version pad)	1301	2014	F		
		FDB2263	SUZUKI	B	GRANFERRRO 1200	1200	2010	F	
				B	V12 X / Strada	1200	2010	F	
				MV AGUSTA	B	675 - F3 Serie Oro	675	2012	F
					B	F4 Stealth Italian Flag	1000	2010	F
					B	BRUTALE 1078 R	1078	2008	F
				B	F4 312 R	1078	2007	F	
B	F4 RR 1078			1078	2008	F			
TRIUMPH	B			BRUTALE 1090 RR	1090	2010	F		
	B			GSX-R 600 (Road version pad)	600	2011	F		
	B			GSX-R 750 (Road version pad)	750	2011	F		
B	GSX-R 1000 ABS (Road version pad)			1000	2015	F			
B	GSX-R 1000 No ABS (Road version pad)			1000	2012	F			
B	GSX-S 1000 ABS (Road version pad)			1000	2015	F			
B	GSX-S 1000 F ABS (Road version pad)			1000	2015	F			
B	GSX-R 1300 HAYABUSA ABS (Brembo Caliper-Road pad)			1300	2013	F			
B	DAYTONA 675 R (Road version pad)	675	2011	2012	F				
B	DAYTONA 675 R (Road version pad)	675	2013	F					
B	SPEED TRIPLE R 1050 (Road version pad)	1050	2012	F					
FDB2264	SUZUKI	B	TC 85 (2T/ 17"/14" Wheels)	85	2014	F			
		B	TC 85 (2T/ 19"/16" Wheels)	85	2014	F			
		B	Freeride E-SM		2015	F			
		B	Freeride E-SX		2015	F			
		B	Freeride E-XC		2015	F			
		B	Freeride Electric		2012	F			
		B	SX 85 (16"/19")	85	2012	F			
		B	Freeride 250 R	250	2014	F			
		B	Freeride 350	350	2012	F			
		SHERCO	B	ST80 (2T)	80	2013	2014	F	
			B	ST125 (2T)	125	2013	2014	F	
			B	ST250 (2T)	250	2013	2014	F	
		B	ST290 (2T)	290	2013	2014	F		
		B	ST300 (2T)	300	2013	2014	F		
		FDB2265	POLARIS ATV	A	Ranger EV (Electric) - side by side	400	2010	2011	F
A	Ranger 400 - side by side			400	2010	F			
A	Ranger 500 (Carb) 2x4 -side by side			500	2009	F			
A	Ranger 500 (EFI) 4x4 H.O. - side by side			500	2009	2011	F		
A	Ranger 500 2x4 - side by side			500	2008	F			
A	Ranger 500 4x4 EFI - side by side			500	2008	F			
A	Ranger 500 Crew - side by side			500	2011	F			
A	Ranger 700 4x4 EFI - side by side			700	2009	F			
A	Ranger 700 6x4 EFI - side by side			700	2008	F			
A	Ranger 700 Crew (EFI) 4x4 - side by side			700	2009	F/R			
A	Ranger 700 XP 4x4 - side by side	700	2008	F					
A	Ranger 800 6x6 - side by side	800	2010	F					
A	Ranger 800 Crew - side by side	800	2010	F					
A	Ranger 800 HD - side by side	800	2010	F					
A	Ranger 800 RZR-4 EFI - side by side	800	2010	F					
A	Ranger 800 RZR-4 EPS - side by side	800	2012	2012	F				
A	Ranger 800 XP - side by side	800	2010	2012	F				
A	Polaris Razor XP900 - side by side	900	2012	F					
A	Ranger 900 D 4x4 Diesel - side by side	900	2011	F					
A	Ranger 900 RZR XP - side by side	900	2011	2012	F				
FDB2266	MBK	B	YW 125 Z X-Over	125	2010	2010	F		
		B	BW's 125	125	2010	F			
		B	Xenter 125	125	2012	F			
		B	Xenter 150	150	2012	F			
FDB2267	APRILIA	B	TUONO V4 R APRC ABS	1000	2013	F			
		B	CAPONORD 1200	1200	2013	F			
		B	CAPONORD 1200 Rally	1200	2015	F			
		B	BN 600GT	600	2015	F			
		B	BN 600i	600	2014	F			
		B	BN 600R	600	2014	F			
		B	F800 R	800	2015	F			
		BENELLI	B	BN 600GT	600	2015	F		
			B	BN 600i	600	2014	F		
			B	BN 600R	600	2014	F		
B	F800 R		800	2015	F				



CC FROM TO FRONT / REAR

Code	Brand	Model	CC	FROM	TO	FRONT / REAR	
...FDB2265	CAN AM ATV	B S1000 XR	1000	2015		F	
		B R nineT	1170	2014		F	
		B R 1200 GS (K50)	1200	2013		F	
		B R 1200 GS Adventure (K51)	1200	2013		F	
		B R 1200 R	1200	2015		F	
		B R 1200 RS	1200	2015		F	
		B R 1200 RT	1200	2014		F	
		A Spyder RS (Brembo Calipers)		2013		F	
		A Spyder RS-S (Brembo Calipers)		2013		F	
		A Spyder RT (3 Cyl Eng/6 Speed)		2014		F	
	A Spyder RT (Brembo Calipers)		2013		F		
	A Spyder RT - LTD (3 Cyl Eng/6 Speed)		2014		F		
	A Spyder RT - LTD (Brembo Calipers)		2013		F		
	A Spyder RT-S (3 Cyl Eng/6 Speed)		2014		F		
	A Spyder RT-S (Brembo Calipers)		2013		F		
	A Spyder ST (Brembo Calipers)		2013		F		
	A Spyder ST - S (Brembo Calipers)		2013		F		
	A Spyder ST - LTD (Brembo Calipers)		2013		F		
	DUCATI	B SCRAMBLER Classic	803	2015		F	
		B SCRAMBLER Full Throttle	803	2015		F	
B SCRAMBLER Icon		803	2015		F		
B SCRAMBLER Urban Enduro		803	2015		F		
B HYPERMOTARD 821 (ABS Std)		821	2013		F		
B HYPERMOTARD SP 821 (ABS Std)		821	2013		F		
B HYPERSTRADA 821 (ABS Std)		821	2013		F		
B MONSTER 821		821	2015		F		
B MONSTER 821 DARK		821	2015		F		
B MONSTER 821 Stripe		821	2015		F		
MV AGUSTA	B 899 Panigale (ABS Std)	898	2014		F		
	B MONSTER 1200	1200	2014		F		
	B Rivale	800	2013		F		
	B STRADALE 800	800	2015		F		
	B TURISMO VELOCE 800	800	2015		F		
	B TURISMO VELOCE 800 LUSSO	800	2015		F		
	FDB2266	HUSQVARNA	B 401 SVARTPILEN	401	2015		F
			B 401 VITPILEN	401	2015		F
			B 125 DUKE	125	2010		F
			B 125 DUKE (ABS Std)	125	2013		F
B RC 125 (ABS Std)			125	2014		F	
B 200 DUKE (ABS Std)			200	2013		F	
B RC 200 (ABS Std)			200	2014		F	
B 390 DUKE (ABS Std)			390	2013		F	
B RC 390 (ABS Std)			390	2014		F	
FDB2267			BETA	B EVO 80	80	2009	2012
	B EVO 125 2T	125		2012		R	
	B EVO 200 2T	200		2009	2012	R	
	B Evo 250 (2T)	250		2009	2012	R	
	B Evo 250 (4T)	250		2009	2012	R	
	B EVO 300 2T/4T	300		2009	2012	R	
FDB2268	HONDA	B CRE 50 SIX Comp.	50	2007	2012	F	
		B CRM 50 Derapage Comp.	50	2007	2012	F	
		B CRE 125 SIX Comp.	125	2010	2011	F	
		B CRM 125 2T Derapage Comp.	125	2011	2012	F	
		B CRM 125 4T Derapage Comp.	125	2011	2012	F	
FDB2270	YAMAHA ATV	A YXR 700 FA/FB/FD RHINO Side x Side (Parking brake)	700	2011	2013	F	
		A YXR 700 RHINO 4x4 SE (Parking brake)	700	2009		F	
FDB2271	CAN AM ATV	A DS 450 (2x4/EFI)	450	2008	2012	F	
		A DS 450 X (2x4/EFI)	450	2008	2009	F	
		A DS 450 Xxc/Xxm	450	2009	2012	F	
FDB2272	CAN AM ATV	A DS 450 (2x4/EFI)	450	2008	2012	R	
		A DS 450 X (2x4/EFI)	450	2008	2009	R	
		A DS 450 Xxc/Xxm	450	2009	2012	R	
	JOHN DEERE ATV	A 4PX Gator 4x2/4x4 4x4 Trail 9345	2004	2005	F/R		
		A HPX 4 x2 (Petrol) Gator	2010	2011	F/R		
		A HPX 4 x4 / 4 x 4 Trail (Petrol) - Gator	2010	2011	F/R		
		A HPX 4x4 (Diesel) - Gator - (SN040000)	2010		F/R		
		A HPX Gator 4x2/4x4 9446	2004	2008	F/R		
		A TX Gator Utility 9461	2004	2005	F/R		
		A TX Turf Gator 9462	2004	2005	F/R		
FDB2273	CAN AM ATV	A Outlander 500 4 x 4 (STD/DPS/XT) - right side	500	2013		F/R	
		A Outlander Max 500 4 x 4 (STD/DPS/XT) - right side	500	2013		F/R	
		A Renegade 500 (STD) - right side	500	2012	2013	F/R	
		A Outlander 650 4 x 4 (STD/DPS/XT) - right side	650	2013		F/R	
		A Outlander 800 R 4 x 4 (STD/DPS/XT/XT-P)-right side	800	2013		F/R	
		A Outlander 800 R STD - right side	800	2012		F/R	
		A Outlander 800 R XT - right side	800	2012	2013	F/R	
		A Renegade 800 R STD - right side	800	2012	2013	F/R	
		A Renegade 800 R Xxc - right side	800	2012	2013	F/R	



CC FROM TO FRONT / REAR

Code	Brand	Model	CC	FROM	TO	FRONT / REAR
FDB2274	CAN AM ATV	A Outlander 1000 4 x 4 (DPS/XT/XT-P) - right side	1000	2013		F/R
		A Outlander 1000 4 x 4 (LTD) - right side	1000	2013		F/R
		A Outlander 1000 4 x 4 (XMR) - right side	1000	2013		F/R
		A Outlander 1000 STD - right side	1000	2012	2013	F/R
		A Outlander 1000 XT - right side	1000	2013		F/R
		A Outlander Max 1000 4 x 4 (DPS/XT/XT-P)-right side	1000	2013		F/R
		A Renegade 1000 STD - right side	1000	2013		F/R
		A Renegade 1000 Xxc - right side	1000	2013		F/R
		A Outlander 500 4 x 4 (STD/DPS/XT) - left side	500	2013		F
		A Outlander Max 500 4 x 4 (STD/DPS/XT) - left side	500	2013		F
FDB2275	HONDA	A Renegade 500 (STD) - left side	500	2012	2013	F
		A Outlander 650 4 x 4 (STD/DPS/XT) - left side	650	2013		F
		A Outlander 800 R 4 x 4 (STD/DPS/XT/XT-P)-left side	800	2013		F
		A Outlander 800 R STD - left side	800	2012		F
		A Outlander 800 R XT - left side	800	2012	2013	F
		A Renegade 800 R STD - left side	800	2012	2013	F
		A Renegade 800 R Xxc - left side	800	2012	2013	F/R
		A Outlander 1000 4 x 4 (DPS/XT/XT-P) - left side	1000	2013		F
		A Outlander 1000 4 x 4 (LTD) - left side	1000	2013		F
		A Outlander 1000 4 x 4 (XMR) - left side	1000	2013		F
FDB2276	POLARIS ATV	A Outlander 1000 STD - left side	1000	2012	2013	F/R
		A Outlander 1000 XT - left side	1000	2013		F/R
		A Outlander Max 1000 4 x 4 (DPS/XT/XT-P) - left side	1000	2013		F
FDB2277	PIAGGIO	A Renegade 1000 STD - left side	1000	2013		F/R
		A Renegade 1000 Xxc - left side	1000	2013		F/R
		A CBR 125 R (5 Bolt Front Disc Fitting)	125	2011	2013	R
FDB2278	HONDA	B CRF 250 LD	250	2013		R
		B CRF250M Supermoto	250	2014		R
		A XP Sportsman 500	500	2009		F/R
FDB2279	YAMAHA	A Sportsman 550	550	2011	2012	F/R
		A Sportsman EPS 550	550	2010	2012	F/R
		A Sportsman Forest 550	550	2010	2012	F/R
		A Sportsman Touring EPS 550	550	2010	2012	F/R
		A Sportsman X2 550	550	2010	2011	F/R
		A Sportsman X2 550	550	2010		F/R
		A XP Sportsman EPS 500	550	2009	2011	F/R
		A Sportsman Forest 800	800	2012		F/R
		A Sportsman Forest 850	850	2012		F/R
		A Sportsman Touring EPS 850	850	2010	2012	F/R
FDB2280	YAMAHA	A XP EPS Sportsman 850	850	2009	2012	F/R
		A XP Sportsman 850	850	2009	2012	F/R
FDB2281	HONDA	B MP3 300 ie LT Business ABS	300	2014		F
		B MP3 300 ie LT Sport ABS	300	2014		F
		B MP3 500 i.e. LT Business ABS/ASR	500	2014		F
FDB2282	YAMAHA	B MP3 500 i.e. Sport ABS/ASR	500	2014		F
		B YP 125 R X-MAX (Nissan Front) NO ABS	125	2014		R
FDB2283	YAMAHA	B YP 250 R X-MAX (Nissan Front Caliper) NO ABS	250	2014		R
		B YZF-R25 (RG10)	250	2015		F
FDB2284	YAMAHA	B YZF-R3	321	2015		F
		B VFR 1200 FAD-DCT (Automatic Transmission) SC63	1237	2009		R
FDB2285	HONDA	B VFR 1200 XA Crosstourer (Manual Transmission) SC70	1237	2012		R
		B VFR 1200 XD-DCT Crosstourer (Autom. Transm.) SC70	1237	2012		R
		B VFR 1200 XD-DCT Crosstourer (Autom. Tr.) SC70	1237	2013		R
		B VFR 1200 XD-DCT Crosstourer-Highlander (Aut. Tr.) SC70	1237	2013		R
FDB2286	YAMAHA	B YZF-R25 (RG10)	250	2015		R
		B YZF-R3	321	2015		R
FSB700	BMW	B R 45 450	450	1978	1981	R
		B R 50/5 500	500	1969	1975	R
		B R 60/5 600	600	2000		R
		B R 60/6 600	600	2000		R
		B R 60/7 600	600	1976	1978	R
		B R 65 650	650	2000		R
		B R 75/5 750	750	2000		R
		B R 75/6 750	750	1975	1979	R
		B R 80 800 all models	800	1977	1981	R
		B R 90 900 S	900	1973	1976	R
FSB701	BMW	B R 90/6 900	900	1973	1976	R
		B R 100 1000 all models	1000	2000		R
		B R 45 450	450	1981	1985	R
		B R 65 650	650	1989	2000	R
		B R 65 650 GS	650	1987	1988	R
		B R 65 650 GS	650	1989	1992	R
		B R 65 650 LS	650	1981	1985	R
		B R 80 800 all models	800	1982	1984	R
		B R 80 800 all models	800	1985	1989	R
		B R 80 800 all models	800	1989	1995	R
FDB2273	CAN AM ATV	B R 80 800 GS / PARIS-DAKAR	800	1981	1986	R
		B R 80 800 GS / PARIS-DAKAR	800	1987	1995	R
		B R 80 RT	800	1990	1994	R

B = Bike
A = ATV
S = Snowmobile

B = Bike
A = ATV
S = Snowmobile



CC FROM TO FRONT / REAR

Code	Brand	Model	CC	FROM	TO	FRONT / REAR		
...FSB701		B R 100 1000 all models	1000	1981	1989	R		
		B R 100 1000 GS / PARIS-DAKAR	1000	1987	1994	R		
FSB702	HONDA	B CRF 50R	50	2004		F/R		
		B NB 50	50	1985		F		
		B NB 50 DELUX	50	1982		F		
		B NB 50 MELODY	50	1982		F		
		B NB 50 MSB	50	1982		F		
		B NC 50 A	50	1982		F/R		
		B NC 50 B	50	1982		F/R		
		B NC 50 C	50	1982		F/R		
		B NC 50 EXPRESS 2	50	1982		F/R		
		B NC 50 EXPRESS 3	50	1982		F/R		
		B NC 50 KI	50	1979		F/R		
		B NC 50 Z EXPRESS	50	1979		F/R		
		B ND 50	50	1982		F		
		B ND 50 MELODY 2 all models	50	1982		F		
		B NE 50 VISION	50	1985		F		
		B NP 50 D MELODY MINI	50	1983		F		
		B NX 50 A	50	1982		F		
		B NX 50 B	50	1982		F		
		B NX 50 MB CAREN	50	1982		F		
		B OR 50	50	1993		F		
		B PC 50 KI	50	1979		F/R		
		B QR 50	50	1993		F		
		B QR 50 ED	50	1982	1990	F		
		B SA 50 ELITE LX	50	1988	1990	F		
		B XR 50 R	50	2000		F/R		
		B Z 50 all models	50	1979	1991	F/R		
		PEUGEOT	B ST 50	50			F	
			B STL 2 50	50			F	
		SUZUKI	B DR-Z 70	70	2008		F/R	
		YAMAHA	B TT-R 50	90	2006	2013	F/R	
		FSB703	HERCULES (SACHS)	B LIMBO 50	50	1993		F
			HONDA	B NB 50	50	1985		R
				B NB 50 DELUX	50	1982		R
B NB 50 MELODY	50			1982		R		
B NB 50 MSB	50			1982		R		
B ND 50	50			1982		R		
B ND 50 MELODY 2 all models	50			1982		R		
B NE 50 VISION	50			1985		R		
B NH 50 LEAD	50			1988	1992	R		
B NH 50 LEAD	50			1993	1994	R		
B NH 50 LEAD	50			1994		R		
B NH 50 LEAD	50			2000		R		
B NP 50 D MELODY MINI	50			1983		R		
B NU 50 MC RUNAWAY	50			1982		R		
B NV 50 MSD STREA	50			1984		F/R		
B NX 50 A	50			1982		R		
B NX 50 B	50			1982		R		
B NX 50 MB CAREN	50			1982		R		
B OR 50	50			1993		R		
B PX 50 all models	50			1982	1983	R		
B QR 50 ED	50			1982	1990	R		
B SA 50 ELITE LX	50			1988	1990	R		
B NH 80 LEAD	80			1988		R		
B NH 80 LEAD	80			2000		R		
B NH 80 LEAD AERO	80			1983	1984	R		
B NH 80 LEAD M D AERO	80			1983	1986	R		
B NH 80 LEAD SCOOTER	80			1985		R		
B NH 80 LEAD SCOOTER	80			1986	1987	R		
PEUGEOT	B METROPOLIS 50			50			R	
	B SC 50			50			R	
	B ST 50			50			R	
	B STL 2 50			50			R	
	B SC 75			75			R	
	B SX 75			75			R	
	B METROPOLIS 80		80			R		
	B SX 80		80			R		
	PGO		B STAR 2 50	50	1994		R	
			B STAR 50	50	2000		R	
B BIG MAX 80			80			R		
B STAR 80			80	1990		R		
B FIDDLE 50			50	1999		R		
FSB704	CAGIVA		B PASSING 125	125	1993	1997	R	
	E-TON ATV		A CXL 150 Yukon II/Challenger	150	2002	2009	F	
			A RXL 150 Viper	150	2005	2006	F	
			A RXL 150 Viper R	150	2005	2009	F	
			A YXL 150 Yukon	150	2000	2002	F	



CC FROM TO FRONT / REAR

Code	Brand	Model	CC	FROM	TO	FRONT / REAR
HERCULES (SACHS)	HONDA	B GIPSY 50	50	1993		R
		B LIMBO 50	50	1993		R
		B SAMBA SR 50	50	1993		F/R
		B SAMBA SR 80	80	1993		R
		B SAMBA SR 125	125	1993		R
		B C 50 22 ZZ ZA	50	1975	1993	F/R
		B CB 50 J all models	50	1981		F/R
		B CF 50 CHALY	50	1979		F/R
		B DAX 50	50	1993	1996	F/R
		B MONKEY 50	50	1988		R
		B NH 50 LEAD	50	1993	1994	F
		B NH 50 LEAD	50	2000		F
		B PK 50 WALLAROO DX - STD	50	1990	2001	R
		B QA 50 K1/3	50	1987	1990	F/R
		B SFX 50	50	1995		R
		B SH 50 CITY EXPRESS	50	1984	1996	F
		B SH 50 SCOOPY / FIFTY	50	1997	2003	R
		B SJ 50 BALI	50	1993	1999	R
		B SKY 50	50	1997		R
		B SKY 50 VETRO	50	2000		R
		B SS 50 ZB2	50	1977	1980	R
		B SS 50 ZK2	50	1975	1977	F/R
		B ST 50	50	1978	1993	F/R
		B ST 50 DAX	50	1993	1996	F/R
		B VT 50 SHADOW	50	1998		R
		B C 70 all models	70	1975		F/R
		B CF 70 C	70	1978	1979	F/R
		B CF 70 K2	70	1978	1980	F/R
		B DAX ST 70	70	1978	1980	F/R
		B NF 75	75	1979		F/R
		B SA 75 VISION	75	1988		F
		B SH 75 SCOOPY	75	1988	1995	F
		B XR 75 K5	75	1979		F
		B YUPY 75	75	1991		R
		B CH 80 ELITE	80	1985	1990	F
		B MBX 80 (ESPANA)	80	1984		R
		B NH 80 LEAD	80	2000		F
		B NH 80 LEAD AERO	80	1983	1984	F
		B NH 80 LEAD M D AERO	80	1983	1986	F
		B SH 80	80	1984		F
		B SH 80 SCOOPY	80	1988		F
		B C 90 C - E - G - M - FG	90	1975		F/R
		B C 90 22 - ZZ	90	1975	1991	F/R
		B EZ 90 CUB	90	1990		F/R
		B VT 90 SHADOW	90	1998		R
		B H 100 A - SD	100	1982		F/R
		B SH 100 Scoopy	100	1996	2001	R
		B SJ 100 BALI - EX	100	1998	1999	R
		B SUPRA 100	100	1999		R
		B SUPRA 100	100	2000		F/R
		B CT 110 K/M/P	110	1989	2003	F
		B ANF 125 INNOVA	125	2003	2011	R
		B CG 125	125	1985		R
B CG 125 all models	125	1977	1984	F/R		
B CH 125 SPACY	125	1983	1997	F/R		
B CH 125 SPACY	125	1998		R		
B MTX 125 R	125	1987	1988	R		
B MTX 125 RII	125	1989		R		
B NH 125 H	125	1983		F/R		
B NH 125 LEAD	125	1983	1987	F/R		
B NH 125 LEAD	125	1988		R		
B NS 125 F all models	125	1985	1990	R		
B NSR 125	125	1988	1989	R		
B NX 125 (ITALY)	125	1990		R		
B XL 125 K3	125	1979		F		
B XL 125 R - S	125	1984		F/R		
B CT 200 E - K	200	1984	1989	F		
B MTX 200 R	200	1987		R		
B XL 200 R	200	1985		R		
B XLR 250 R	250	1985	1988	R		
HONDA 3 WHEELERS	A ATC 70	70	1976	1977	R	
	A ATC 125	125	1984	1987	F	
	A ATC 185	185	1980	1983	F	
	A ATC 200 (Drum Brake)	200	1981	1986	F	
	A TRX 90 (Fourtrax/Sportrax/EX/X)	90	1993	2009	F	
HONDA-HM ITALIA	A TRX 125 Fourtrax	125	1985	1988	F	
	B CB 125	125	1979		R	
B DT 125	125	1987		R		

3060

B = Bike
A = ATV
S = Snowmobile

FERODO
MOTORCYCLE PADS

Updated on 9th Oct 2015

B = Bike
A = ATV
S = Snowmobile



CC FROM TO FRONT / REAR



CC FROM TO FRONT / REAR

...FSB704

	B	MTX 125 R	125	1986		R
	B	MTX 125 RALLY SPORT	125	1988		R
	B	NS 125 F	125	1985		R
	B	NS 125 R SUPER SPORT	125	1987		R
	B	XL 125	125	1979		F/R
	B	XL 125 L PARIS DAKAR	125	1985		R
	B	XL 125 PARIS DAKAR	125	1984	1985	F/R
	B	XL 125 R2	125	1987		R
	B	XL 200 L	200	1985		R
	B	XL 200 L PARIS DAKAR	200	1987		R
	B	XL 200 R	200	1983		F/R
	B	XL 200 R PARIS DAKAR	200	1984		F/R
	B	XL 200 R2	200	1987		R
KYMCO		ACTIV 50	50	2005	2006	R
		ACTIV 50 SR	50	2008	2011	R
	B	AGILITY 50 (KG10SA)	50	2005	2008	R
		AGILITY 50 Basic	50	2007	2007	F/R
		AGILITY 50 R10 (4T)	50	2006		R
		AGILITY 50 R12 (4T)	50	2006		R
		AGILITY Carry 50 (4T)	50	2011	2013	R
		AGILITY RS Naked 50 2T	50	2010		R
	B	BET & WIN 50	50	2002	2006	R
	B	COBRA 50 / RACER & CROSS	50	1999	2006	R
	B	CURIO 50	50	1994		R
	B	CX 50	50	1993		F
	B	DINK / GRAND DINK 50 / New Dink	50	1997		R
		DINK 50 (4T)	50	2007		R
		DJS 50	50	2012	2013	R
	B	DJW 50	50	1994		F
	B	DJX 50	50	1991	1992	F
	B	DJY 50 / DJY 50 REFINED	50	1993		F
	B	FILLY 50	50	1998	2000	F/R
	B	FILLY LX 50	50	2000		R
		G-DINK 50 (2T)	50	2012		R
		GRAND DINK 50 (2T)	50	2004	2007	R
	B	HEROISM 50	50	1995	1997	R
	B	K 12 50	50	1995		R
	B	KB 50	50	1994	2000	R
		LIKE LX 50 2T/4T	50	2010		R
	B	MANBOY 50	50	1995		R
	B	SCOUT 50	50	1998		R
		SENTO 50	50	2008	2009	R
	B	SPACER 50	50	1999		R
	B	TOP BOY 50	50	1997	2000	R
	B	TOP BOY 50	50	2000		R
		VISA R	50	2011	2012	R
		VITALITY 50 (2T & 4T)	50	2004	2009	R
	B	COBRA 100 RACER	100	1999	2003	R
	B	TOP BOY 100	100	1997		R
		VISA R 110	110	2011	2011	R
	B	LIBERO 111 4T	111	2008		R
		ACTIV 110 / 125	125	2004	2006	R
	B	AGILITY 125	125	2006	2008	R
		AGILITY Carry 125 (4T)	125	2011	2012	R
	B	FREEWAY 125	125	1997		F/R
	B	HEROISM 125	125	1995	1997	R
	B	FREEWAY 150	150	1997		F/R
	B	HEROISM 150	150	1995	1997	R
KYMCO ATV	A	MXer 50	50	2000	2007	F
	A	MXU 50	50	2005	2013	F
	A	MXU 150	150	2005	2012	F
PEUGEOT		e - Vivacity (Electric)		2011	2012	R
		E-Vivacity (Electric)		2010		R
	B	BUXI 50	50	1994	1997	R
	B	BUXI RS 50	50	1994	1997	R
	B	ELYSEO 50	50	1998	2002	R
	B	FOX 50	50	1996		R
		Jet H2i 50 (2T -Air Cooled)	50	2011	2012	R
		Kisbee 50 (4T)	50	2010	2012	R
		Kisbee RS 50 (4T)	50	2010	2012	R
	B	LOOXOR 50	50	2001		R
		Ludix 2 Bipoosto 50cc (2T/10? wheels)	50	2007	2009	F/R
		Ludix 2 One Biposoto (2T/10? Wheels)	50	2010	2012	F/R
		Ludix 2 One Monoposoto (2T/12? Wheels)	50	2010	2011	F/R
		Ludix 2 Trend 50cc (2T/12? wheels)	50	2007	2012	R
		Ludix Acid	50	2006		R
		Ludix Blaster (10" Wheels)	50	2005	2009	R
	B	LUDIX ONE 50	50	2004		F/R

		Ludix Pro (4T / 14" Wheels/AJP Caliper)	50	2011		R
		Ludix Pro (4T / 14" Wheels/J.Juan Caliper)	50	2011		R
		Ludix Red Zone	50	2006		R
		Ludix Urban Track	50	2006	2007	R
	B	METROPOLIS 50	50			F
		New Vivacity 50cc /2T	50	2008	2012	R
		New Vivacity 50cc /4T	50	2008	2012	R
		New Vivacity Sixtes 50cc/4T	50	2010	2012	R
	B	SC 50	50			F
	B	SPEEDAKE 50	50	1995	2001	R
		Speedfight 3 (50cc A/C - 2T)	50	2009	2012	R
	B	SPEEDFIGHT 50 M (AJP caliper)	50	1997	1998	R
	B	SPEEDFIGHT 50 M (Heng-Tong caliper)	50	1997		R
	B	SQUAB 50	50	1996	2001	R
	B	SQUAB 50 (Heng-Tong caliper)	50	1996	2001	R
	B	SV 50 APS SYSTEM	50	1991		F/R
	B	SV 50 GEO	50	1992		R
	B	SV 50 GEO (all models)	50	1993		R
	B	SX 50	50			F
	B	TREKKER 50 ROAD	50	1997		R
		TRK 50 (2T/10? Wheels)	50	2009	2012	R
		TRK 50 12 (2T/12? Wheels)	50	2009	2012	R
		Tweet 50 (4T/Rear Drum Model)	50	2010	2012	R
		V-Clic 50 (4T)	50	2008	2011	R
		Vivacity 2 50	50	2008	2011	R
		Vivacity 2 50	50	2008	2011	R
	B	VIVACITY 50 .	50	1998	2003	R
	B	X FIGHT 50 M	50	2000		R
	B	ZENITH 50	50	1994	1995	R
	B	ZENITH 50	50	1996	2000	R
		SC 75	75			F
	B	SX 75	75			F
	B	METROPOLIS 80	80			F
	B	SC 80	80			F
	B	SV 80 EXECUTIVE	80	1996		R
	B	SX 80	80			F
	B	ELYSEO 100	100	1998		R
	B	TREKKER 100	100	1998		R
	B	VIVACITY 100 .	100	1998		R
	B	X FIGHT 100 M	100	2000		R
	B	LUDIX 125	125	2004		R
	B	SV 125 GEO	125	1991	1992	R
	B	SV 125 GEO	125	1993		R
	B	STAR 2 50	50	1994		F
	B	STAR 50	50	2000		F
	B	BIG MAX 80	80			F
	B	STAR 80	80	1990		F
		Nitro 50 (2T)	50	2009	2010	R
		Pioneer 50 (2T)	50	2009	2010	R
		QM 50 QT-2T Falcon	50	2008	2010	R
		QM 50 QT-6A Jet 50	50	2008	2010	R
		Strike 50 (2T)	50	2009	2010	R
		E Woo - Electric		2011		R
		E-Symmetry(Electric)		2012	2013	R
		E-Virid(Electric)		2012		F/R
		E-ViridDeluxe (Electric)		2012		R
		Evie (Electric Scooter)		2010		F/R
		Symmetry - Electric		2011		F/R
	B	CITY HOPPER 50	50	1999	2002	R
	B	DD 50 CITY TREK	50	2002		R
	B	FIDDLE 50	50	1999		F
		Fiddle II 50	50	2008		R
		Fiddle III 50 (4T)	50	2014		R
		Jet 4 (50cc- 4T)	50	2010		R
		Jet 4 R (50cc- 2T)	50	2011		R
		Jet Basix 50	50	2006	2009	R
		Jet Euro X 50	50	2006	2012	R
		Jet Evo 50 (2T)	50	2013		R
		Jet4 Naked (50cc/4T)	50	2013		R
		Mio 50	50	2005	2013	R
		Orbit 50	50	2008	2009	R
		Orbit II 50 TS (4T)	50	2012		R
		Symply 50	50	2007	2008	R
		Symply II 50	50	2009		R
		Tonick 50	50	2011		R
		X'Pro 50	50	2013		R
	B	CINDERELLA 50 / 100	100	1999	2000	R
		Mio 100	100	2005	2014	R

B = Bike
A = ATV
S = Snowmobile

B = Bike
A = ATV
S = Snowmobile



...FSB704

			CC	FROM	TO	FRONT / REAR
		Mio 100	100	2015		R
		Symba 100	100	2011	2012	F/R
		Orbit III/Sympley 125 (4T)	125	2009		R
		X Pro125	125	2013		R
	YAMAHA	B 50 FLY ONE	50	1992	1995	R
		B 150 FLY ONE	150	1992		R
FSB705	HONDA	B MB 50	50	1982		R
		B MBX 50 SD - SF	50	1983		R
		B MT 50	50	1980		F/R
		B MTX 50 S	50	1983		F/R
		B MXR 50	50			R
		B NSR 50	50	1993	1994	R
		B NSR 50	50	1994	2000	R
		B XL 50	50			F/R
		B NSR 75 / FII	75	1988	2000	R
		B XR 75 K4	75	1975	1979	F/R
		B XR 75 K5	75	1979		R
		B CR 80 R2F	80	1985		F
		B CR 80 RA - RB	80	1980	1981	F/R
		B CR 80 RC	80	1982		F
		B MBX 80	80	1982		R
		B MBX 80 DX	80	1982		R
		B MBX 80 FWD	80	1983		R
		B MBX 80 VOLLUERKLEIDUNG	80	1985		R
		B MCX 80 all models	80	1982	1984	R
		B MT 80 all models	80	1980	1984	F/R
		B MTX 80 all models	80	1982	1984	F/R
		B XR 80 A - B - Z	80	1980	1984	F/R
		B XR 80 RJ	80	1989		F/R
		B C 90	90	1993		F/R
		B YUPY 90 (NH 90)	90	1990		R
		B CB 100 N	100	1978		R
		B XL 100 all models	100	1978		F/R
		B CT 110 K/M/P	110	1989	2003	R
		B CT 110 P	110	1989	2004	F/R
		B CT 110 X	110	2004		F
		B CB 125 J	125	1979		R
		B CLR 125 CITY FLY	125	2000		R
		B CR 125 M2 - 3 - 4	125	1976	1978	F/R
		B CT 125 M2	125	1976	1978	F/R
		B CT 125 M3	125	1976	1978	F/R
		B CT 125 M4	125	1976	1978	F/R
		B MTX 125 R2F	125	1985	1995	R
		B MTX 125 RF	125	1985	1995	R
		B MTX 125 RWD	125	1983	1984	F/R
		B MTX 125 RWF	125	1985	1995	R
		B NX 125	125	1988		R
		B NX 125 TRANSCITY	125	1989	1997	R
		B TL 125	125	1976		F/R
		B XL 125 K3	125	1979		R
		B XL 125 L PARIS DAKAR	125	1989		R
		B XL 125 PARIS DAKAR	125	1989		R
		B XL 125 R	125	1985	1986	R
		B XL 125 R	125	1987	1988	R
		B XL 125 R PARIS DAKAR	125	1984		R
		B XL 125 RC	125	1979	1983	F/R
		B XL 125 SA - B - C - Z - K2	125	1979	1983	F/R
		B CRF 150	150	2003	2007	R
		B XL 185 SA	185	1980	1984	F/R
		B XL 185 SB	185	1980	1984	F/R
		B XL 185 SZ	185	1980	1984	F/R
		B CT 200 E - K	200	1984	1989	R
		B CT 200 P	200	1993	1999	F/R
		B CTX 200	200	2003	2004	R
		B MTX 200 RW	200	1985	1986	R
		B MTX 200 RWD	200	1983	1984	F/R
		B TL 200 J	200			F/R
		B TL 200 X	200			F/R
		B XL 200 R	200	1983	1984	F/R
		B XR 200 A - RB - RC - RD	200	1981	1983	F/R
		B XR 200 R	200	1984	1991	F/R
		B CRF 230 F	230	2003	2007	R
		B RTL 250 SG	250	1986		F/R
		B RX 250 RE	250	1984		R
		B TL 250 F	250	1985		F/R
		B TL 250 KI	250	1979		F/R
		B XL 350 RD	350	1983		R
		B XR 350 RE - RD	350	1984		R



FSB706

			CC	FROM	TO	FRONT / REAR
		B XR 500 R	500	1984		R
		B XR 600 R	600	1985	1987	R
		B XR 600 R	600	1988	1990	R
FSB706	HONDA	B CB 125 K1 - K5	125	1972	1976	R
		B CB 125 K6 - S2	125	1976	1977	R
		B CB 125 RS	125	1983		R
		B CB 125 T	125	1978		R
		B CB 125 T2 - TA - TB	125	1979		R
		B CB 125 TDC - TDE - TDJ	125	1983	1989	R
		B CB 125 TT	125	1990		R
		B CD 125 CD	125	1982		R
		B CD 125 TC	125	1982		R
		B CM 125 L	125	1982		R
		B CD 185 T	185	1978	1980	R
		B CD 200 T	200	1979	1980	R
		B CM 200 TA - TB	200	1980	1981	R
		B CB 250 NIGHT HAWK	250	1991	2001	R
		B CD 250	250	1988	1992	R
		B CM 250 C	250	1982		R
	HONDA 3 WHEELERS	A ATC 70	70	1978	1985	R
	SYM	B XS 125 K	125	2007		R
FSB707	HONDA	B CD 125 CD	125	1982		F
		B CD 125 TC	125	1982		F
		B CM 125 L	125	1982		F
		B CD 185 T	185	1978	1980	F
		B CD 200 T	200	1979	1980	F
		B CM 200 TA - TB	200	1980	1981	F
		B CL 250 SC	250	1981		F
		B CM 250 C	250	1982		F
		B XL 250 K3 - K4	250	1978	1979	R
		B XL 250 S	250	1982	1990	F
		B XL 250 S - SZ - SA	250	1978	1981	F
		B XR 250 Z - SZ - SA	250	1979	1980	F
		B XL 500 SZ	500	1980		F
FSB708	HONDA	B CB 250	250	1988	1991	R
		B CB 250 N	250	1978	1982	R
		B CB 250 NA - NB	250	1978	1982	R
		B CB 250 T-DREAM	250	1978	1982	R
		B CB 250 T-SUPERDREAM	250	1978	1982	R
		B CM 250 TB	250	1981		R
		B CB 350 SG	350	1986		R
		B CB 400 A - HAWK	400	1978		R
		B CB 400 N - NA - NB	400	1978	1982	R
		B CB 400 N/F	400	1983		R
		B CM 400 A	400	1978	1981	R
		B CM 400 AA	400	1978	1981	R
		B CM 400 AB-TA	400	1978	1981	R
		B CM 400 T	400	1978	1981	R
		B CM 400 TB	400	1978		R
		B CM 400 TC	400	1978	1981	R
		B CM 400 TZ	400	1978		R
		B CB 450 N	450	1985		R
		B CBX 450 S	450	1987		R
		B CMX 450 CG REBEL	450	1986	1988	R
		B VT 500 CD - FT	500	1982		R
		B VT 500 ED - EF - C	500	1983		R
FSB709	HONDA	B CA 125 REBEL	125	1995	1997	R
		B CA 125 REBEL	125	1998		R
		B VT 125 SHADOW	125	1999		R
		B CMX 250 C REBEL	250	1996	2000	R
		B XL 250 S	250	1982	1990	R
		B XL 500 R - RC	500	1982		R
		B XL 500 R PARIS DAKAR	500	1983		R
		B XL 500 SZ	500	1980		R
		B XR 500 R	500	1983	1984	R
		B XR 500 R - RB	500	1981	1983	R
		B XR 500 SA - SZ	500	1979	1980	R
		B XL 600 LD - PARIS DAKAR	600	1983	1984	R
		B XL 600 LM-RM-R-V-L	600	1985	1990	R
		B XL 600 R - RD - RE	600	1983	1984	R
		B XL 600 V TRANSALP	600	1987	1990	R
FSB710	HONDA	B CB 650 A - Z	650	1979	1981	R
		B CB 650 B	650	1979	1981	R
		B CB 650 SCC NIGHTHAWK	650	1982		R
		B CB 750 K1 - K6	750	1971	1977	R
		B CB 750 K7 - K8	750	1978		R
		B CB 750 KZ	750	1980		R
		B CB 750 SC NIGHTHAWK	750	1982	1983	R



			CC	FROM	TO	FRONT / REAR					
FSB711	HONDA	B	CB 500 K1 - K2 - T	500	1975	1977	R				
		B	CB 500 R/T	500	1994	1996	R				
		B	CX 500 CA - CB	500	1979	1981	R				
		B	GL 500 DC	500	1982		R				
		B	GL 500 SILVER WING INTERSTATE	500	1982		R				
		B	NV 600 C	600	1988		R				
		B	VLX 600 SHADOW	600	1988	1991	R				
		B	VT 600 C SHADOW	600	1988	1993	R				
		B	VT 600 C SHADOW	600	1994	2003	R				
		B	CB 650 SCD	650	1983		R				
		B	CBX 650 ED	650	1983		R				
		B	CX 650 ED	650	1982		R				
		B	GL 650 D2TE	650	1983		R				
		B	GL 650 DD - ID	650	1983		R				
		B	VF 700 C MAGNA	700	1984		R				
		B	VF 700 S SABRE	700	1984		R				
		B	VT 700 C SHADOW	700	1984	1985	R				
		B	CB 750 NIGHTHAWK	750	1991		R				
		B	VF 750 C	750	1993		R				
		B	VF 750 C-SC-CC-F-FC	750	1983		R				
		B	VF 750 CH	750	1987	1989	R				
		B	VT 750 C SHADOW	750	1983	1985	R				
		B	VENOX 250	250	2000		R				
		FSB712	HONDA	B	CAMINO 50 all models	50	1980		F/R		
				B	PA 50 all models	50	1980		F/R		
				B	PF 50 M	50	1975		F/R		
				B	PX 50 all models	50	1982	1983	F		
B	PX 50 E			50	1984		F				
KTM	B			50 SX MINI ADVENTURE	50	2004	2007	F/R			
	B			50 SX PRO SENIOR LC	50	2002	2003	R			
	B			50 SX SENIOR ADVENTURE	50	2002	2007	R			
MOTOBECANE	B			50 SX/SXR PRO JUNIOR/SENIOR/ADEVENTURE	50	1996	2003	F/R			
	B			all models 50 (mozzi atom)	50	1988	1989	F			
PEUGEOT	B			all models 50 (mozzi leleu)	50	1988	1989	F			
	B			103 / 104 / 105 50	50			F/R			
PUCH	B			ASV 50 (telescopic fork)	50	1993		F/R			
	B			MAXI 30 30 all models	30			F/R			
B	MAXI 40 40 all models			40			F/R				
B	GTL 50			50			R				
B	MONZA 50 4 GP all models			50			F/R				
B	MONZA 50 4 SL			50			F/R				
B	80 /6			80			R				
FSB713	BOMBARDIER ATV			A	DS 50 (2 STROKE)	50	2002	2006	R		
				A	QUEST 50	50	2003	2004	R		
				A	DS 90 (2 STROKE / 4 STROKE)	90	2002	2006	R		
				A	QUEST 90 (2 STROKE / 4 STROKE)	90	2003	2004	R		
				CAN AM ATV	A	DS 90 Mini 4 Stroke	90	2007		R	
					E-TON ATV	A	IXL 40 Rasca	40	1998	2001	R
						A	RXL-40E Viper Junior	40	2001	2006	R
						A	Viper 40 E	40	1999	2008	R
		A	AXL 90 Thunder			90	1999	2000	R		
		A	DXL-90 Sierra			90	1999	2003	R		
		A	NXL 90 Thunder			90	2001	2002	R		
		A	Viper EXL 150 ST Quad			150	2005	2006	R		
		A	Yukon ELX 150			150	2005	2006	R		
		A	YXL 150 Yukon			150	2000	2002	R		
		HONDA	B	CG 125		125	1985		F		
			B	CR 125 RA	125	1979	1981	R			
			B	CR 125 RB	125	1979	1981	R			
			B	CR 125 RS	125	1979	1981	R			
			B	CR 125 RZ	125	1979	1981	R			
			B	NX 125	125	1988		F			
			B	CH 250 ELITE	250	1985	1990	F/R			
			B	CN 250	250	1993	2000	R			
			B	CN 250 ELITE	250	1987	1990	F/R			
			B	CR 250 RB	250	1981		R			
			B	CR 250 RC	250	1982		R			
			B	XL 250 RC - RH	250	1982		F			
			B	XLX 250	250	1984		F			
HONDA ATV	A		TRX 70 Fourtrax	70	1986	1987	R				
	B		ZX 50	50	1993		R				
FSB714	BS VILLA		B	CR 50 RE - RF	50	1984		F/R			
			B	G-DASH 50	50	1989	1992	R			
		B	GP 50 DIO	50	1991	1995	R				
		B	LIFE DIO 50	50	1994		F/R				
		B	NU 50 MC RUNAWAY	50	1982		F				
		B	PK 50 WALLAROO DX - STD	50	1990	2001	F				
		B	QR 50	50	1993		R				



			CC	FROM	TO	FRONT / REAR		
HSC	HSC	B	SA 50 J VISION MET-IN	50	1988	1990	F/R	
		B	SAA 50 VISION	50	1993		F/R	
		B	SR 50 DIO	50	1990		R	
		B	SR 50 LIFE DIO	50	1994		R	
		B	SUPER DIO 50 SR	50	1991	1992	R	
		B	SUPER DIO 50 ZX	50	1992		R	
		B	TLM 50 F	50	1985		F/R	
		B	XR 50 DIO BAJA	50	1994		R	
		B	ZX 50 LIFE DIO	50	1994		R	
		B	ZX DIO 50	50	1995		R	
		B	CR 60 R	60	1986		F/R	
		B	CR 60 RG	60	1986		F/R	
		B	CRF 70F	70	2004		F/R	
		B	XR 70 RV	70	1997	2003	F/R	
		B	SA 75 VISION	75	1988		R	
		B	CH 80 ELITE	80	1985	1990	R	
		B	CR 80 RC	80	1982		R	
		B	CR 80 RD - RE - RF	80	1983	1984	F/R	
		B	XR 80 R	80	1985		F/R	
		B	CRF 100R	100	2004		F/R	
		B	XR 100 R	100	1985	2003	F/R	
		B	TLR 200 EF	200	1984		F/R	
		B	HSC 01 50	50	1992		R	
		B	SR 50 DIO	50	1992		R	
		B	ZR 50	50	1992		R	
		B	ZX 50 DIO	50	1992		R	
		KYMCO	B	CX 50	50	1993		R
B	CX 50 SUPER		50	1994	1997	R		
B	DJW 50		50	1994		R		
B	DJX 50		50	1991	1992	R		
B	DJY 50 / DJY 50 REFINED		50	1993		R		
B	ZK 50 SUPERFEVER		50	1999		R		
B	ZX 50 FEVER		50	1995		R		
FSB715	HONDA		B	SH 50 CITY EXPRESS	50	1984	1996	R
			B	SH 50 SCOOPY	50	1988	1994	F/R
			B	SH 75 SCOOPY	75	1988	1995	R
		B	SH 80	80	1984		R	
		B	SH 80 SCOOPY	80	1988		R	
FSB716	KAWASAKI	B	KD 80	80	1988	1990	R	
		B	KH 125 A1 -A3	125	1977	1981	R	
		B	KX 125 B2 - C1	125	1982	1985	R	
		B	KDX 200 A1 - A2	200	1983	1985	R	
		B	KDX 200 C1	200	1986	1988	R	
FSB717	KAWASAKI	B	KE 175 D1 - D5	175	1979	1983	R	
		B	KDX 200 A1 - A2	200	1983	1985	F	
		B	KL 250 A3 - A4	250	1980	1984	R	
		B	KL 250 C1	250	1980	1984	R	
		B	KLR 250 all models	250	1984	2000	R	
FSB718	KAWASAKI	B	BJ 250 D1-D7 Estrella Custom	250	1996	2002	R	
		B	BJ 250 E1-E4A Estrella RS Custom	250	1996	1999	R	
		B	BJ 250 F1/F2 (250 TR)	250	2002	2003	R	
		B	EL 250 all models	250	1991	1994	R	
		B	Z 250	250	1983		R	
		B	Z 250 B1 - B2	250	1980	1983	R	
		B	Z 250 GP BELT DRIVE	250	1983		R	
		B	GPZ 305 A1	305	1983	1996	R	
		B	GPZ 305 B2 - B3	305	1983	1996	R	
		B	GPZ 305 BELT DRIVE	305	1983	1996	R	
		B	Z 400 G1	400	1979		R	
		B	ZR 400 A1 - F	400	1983		R	
		B	Z 440 A2 - C1	440	1979	1982	R	
		B	Z 440 C2	440	1981		R	
		B	Z 440 D2 - D4 LTD	440	1979	1982	R	
		B	Z 440 D5 LTD	440	1981	1983	R	
		B	Z 440 H1 - H2	440	1981	1983	R	
		B	ER-5 500 (ER)	500	1997	2000	R	
		B	ER-5 500 (ER)	500	2001		R	
		B	EX 500 all models	500	1987	1991	R	
B	GPZ 500 S	500	1987		R			
B	GPZ 500 S	500	1988		R			
B	Z 500 F	500	1983		R			
B	ZR 500 A1	500	1983		R			
B	Z 550 F	550	1983	1984	R			
B	ZR 550 A1	550	1983	1984	R			
B	W 650	650	1999		R			
KAWASAKI ATV	A	KLF 185 BAYOU A1 Series	185	1985	2000	R		
	A	KLF 185 BAYOU A2 / A3 / A4	185	1986	1988	R		
	A	KLF 220 BAYOU A Series	220	1988	2002	R		

B = Bike
A = ATV
S = Snowmobile

B = Bike
A = ATV
S = Snowmobile



CC FROM TO FRONT / REAR

Code	Brand	Model	CC	FROM	TO	FRONT / REAR		
...FSB718		A KLF 250 BAYOU A Series	250	2003	2010	R		
		A KLF 300 BAYOU A Series	300	1986	1987	R		
		A KLF 300 BAYOU B Series	300	1988	2004	R		
FSB719	KAWASAKI	B VN 400 CLASSIC	400	1999		R		
		B VN 400 VULCAN	400	1995		R		
		B Z 400 J1 LTD	400	1980	1981	R		
		B Z 400 J2 - J3	400	1981	1983	R		
		B ZL 400	400	1986	1987	R		
		B LTD450 (EN450 A1-A5)	454	1986	1989	R		
		B EN 500 all models	500	1990	1993	R		
		B A1 550 LTD	550	1980		R		
		B Z 550 A1	550	1980		R		
		B Z 550 A3 - C1 - C2 LTD	550	1980		R		
		B Z 550 G1 SHAFT	550	1983		R		
		B Z 550 GT - SPORT	550	1983		R		
		B ZL 600 A1/A2	600	1985	1994	R		
		B ZL 600 B1 ELIMINATOR	600	1995	1997	R		
		B Z 650 B1 - B3	650	1979	1981	R		
		B Z 650 F1	650	1979	1980	R		
		B Z 650 F2 - F4	650	1980	1983	R		
		B 750 VULCAN	750	1989	1993	R		
		B VN 750 TWIN	750	1986	1987	R		
		B VN 750 VULCAN	750	1990	1994	R		
		B Z 750 LTD TWIN K1	750	1983		R		
		B Z 750 Y1 LTD	750	1982		R		
		B EJ800 (W 800 all model)	800	2011		R		
		B VN 800	800	1995	1998	R		
		B VN 800 CLASSIC	800	1996		R		
		B VN 850	850	1995	1999	R		
		FSB720	SUZUKI	B FZ 50 N - X SUZY	50	1980	1982	F/R
				B S 50 K	50	1993		R
				B CS 80 CD	80	1983		F/R
				B TS 80 X	80	1984		R
		FSB721	CFMOTO	B CF 150 Leader	150	2010	2012	R
				B RX 125	125	2001	2007	R
HYOSUNG	B KH 100 A2 - A4			100	1978	1981	F	
	B KM 100 A4 - A6			100	1978	1981	F	
	B AR 125 A1 - LC			125	1982	1994	R	
	B BN 125 A1/A2 ELIMINATOR			125	1998	1999	R	
	B BN 125 A3/A4 ELIMINATOR			125	2000		R	
	B KE 125 A4 - A10			125	1976	1985	R	
	B KH 125 EX			125	1982	1983	R	
	B KH 125 K1			125	1982	1998	R	
	B KH 125 K2-4 - L1		125	1982	1983	R		
	B KX 125 A3 - A7		125	1974	1980	R		
B KX 125 B1	125		1981		R			
B KDX 175 all models	175		1980	1982	R			
B Z 200 A1 - A5	200		1977	1982	R			
B Z 200 A6	200		1983		R			
B KLX 250	250		2000		R			
B KX 250 B1	250		1982		R			
B KX 250 B2 - B3	250		1980	1981	R			
B KX 250 C1 - C2	250		1983	1985	R			
B Z 250 C1 - C2	250		1981	1983	R			
B Z 250 G1 - G2	250		1981	1983	R			
B Z 250 LTD	250		1983		R			
B KX 500 A1 - A2	500		1983	1985	R			
B KLR 570	570		1988		R			
B KLR 600	600		1984	1988	R			
B KLR 600 ELECTRIC STARTER	600		1985		R			
B KLR 600 S	600		1992		R			
KAWASAKI 3 WHEELERS	A KLT 110 A1 / A2 / A3		110	1984	1986	R		
	A KLT 160 A1		160	1985	2000	R		
	A KLT 185 A1 / A2		185	1986	1987	R		
	KAWASAKI ATV		A KLF 110 MOJAVE A / B	110	1987	1988	R	
			Bubu 100	100	2003	2008	R	
			My Bubu 100	100	2003	2005	R	
			Bubu 125	125	2003	2008	R	
			B I-CHARGE 125	125	2003	2004	R	
			B MY BUBU 100 / 125	125	2003	2004	R	
			B T-REX 125	125	1999	2004	R	
T/Rex 125			125	1999	2007	R		
B YOUNG BUBU 125			125	2003	2004	R		
B T-REX 150			150	1999	2004	R		
SINNIS	B QM 125 GY Apache 125 (Rear drum model)		125	2009	2010	R		
	B QM 125 GY-2D Trackstar 125 (4T)		125	2010		R		
SUZUKI	B RG 80 GAMMA		80	1988	1993	R		
	B RG 80 GAMMA		80	2000		R		



CC FROM TO FRONT / REAR

Code	Brand	Model	CC	FROM	TO	FRONT / REAR
		B RM 80 X - D - E	80	2000		F
		B TS 90	90	1971	1973	R
		B GP 100 UD - UN - UX	100	1979	1992	F
		B RM 100 A - B - C	100	1976	1978	R
		B TS 100 A - B - C	100	1975	1981	F/R
		B TS 100 ERN - ERT - ERX	100	1975	1981	F/R
		B TS 100 ERZ	100	1982	1987	F
		B TS 100 K - L - M	100	1973	1975	R
		B DR 125 S	125	1986	1993	R
		B DR 125 SD - SZ	125	1982	1984	F/R
		B DR-Z 125	125	2003	2008	F/R
		B DR-Z 125	125	2003		R
		B ER 125	125			F/R
		B GN 125	125	1983	1993	R
		B GN 125 R	125	1994	2001	R
		B GP 125 X - XD	125	1977	1984	R
		B GS 125 D	125	1982	1984	F/R
		B GS 125 E - KATANA	125	1990	1994	R
		B GS 125 ESD	125	1983	1994	R
		B GS 125 ESR / ESX	125	1995	2000	R
		B GS 125 ESZ	125	1982		R
		B GS 125 Z	125	1982	1984	F/R
		B GT 125 N - EN	125	1974		R
		B GZ 125 MARAUDER	125	1998	2011	R
		B RG 125 E	125	1982	1984	R
		B RG 125 W GAMMA	125	1985	1991	R
		B RM 125 A - B - C - M	125	1975	1978	F/R
		B RM 125 D - X - Z	125	1981	1983	F
		B RM 125 N	125	1979	1980	F
		B RM 125 N - T	125	1979	1980	F
		B RM 125 X - Z	125	1981	1983	F
		B RV 125 A - L - M	125	1974	1976	F/R
B RV 125 K	125	1973		R		
B T 125 STINGER	125	1970	1971	F/R		
B TS 125 A - B - C - C2	125	1973	1981	F/R		
B TS 125 ERN - ERT - ERX	125	1973	1981	F/R		
B TS 125 ERZ - FFS	125	1982	1983	F		
B TS 125 K	125	1972	1972	R		
B TS 125 L	125	1973	1981	F/R		
B TS 125 L - LC - XE	125	1984	1987	F		
B TS 125 M - N	125	1973	1984	F/R		
B VL 125 INTRUDER	125	2000		R		
B X4 125	125			R		
B PE 175 C - CE2 - N	175	1978	1979	F/R		
B PE 175 T - X	175	1980	1981	F		
B GT 185 A - B - C	185	1974	1979	R		
B GT 185 EC - L - M	185	1974	1979	R		
B TS 185 B - C	185	1974	1981	F/R		
B TS 185 ERN - ERT - ERX	185	1974	1981	F/R		
B TS 185 K	185	1973	1973	R		
B TS 185 L - M	185	1974	1981	F/R		
B DR 200 K	200	1989	1998	R		
B GT 200 EN - EX	200	1979	1982	R		
B GT 200 X 5	200	1979	1982	R		
B SB 200 N - X	200	1979	1981	R		
B DR 250	250	1981	1982	F/R		
B DR 250 S	250	1983	1984	R		
B DR 250 S	250	1985		R		
B DR 250 S	250	1986	1989	R		
B GN 250	250	1993	1997	R		
B GZ 250 MARAUDER	250	2000		R		
B RM 250 A - B - C	250	1976	1978	F		
B TU 250 X	250	1997	2000	R		
B VL 250 INTRUDER	250	2000	2001	R		
B RM 400 C	400	1978	1978	F		
B DR 500 S	500	1989		R		
B RM 500 D - E	500	1983	1984	R		
B RM 500 F	500	1985	1986	R		
B DR 600 R DAKAR-DJEBEL	600	1987	1988	R		
B DR 600 S	600	1989		R		
B DR 600 S - SU	600	1985	1986	R		
B SP 600	600	1985		R		
FSB722	HYOSUNG KAWASAKI	B KR 110 MASTER	110	2004		R
		B AE 50 - A1 - A2	50	1981	1982	F/R
		B AR 50	50	1981	1995	R
		B KMX 50	50	1988		R
		B AE 80 A1 - B1	80	1981	1982	F/R
		B AR 80	80	1981	1982	R



CC FROM TO FRONT / REAR

CC	FROM	TO	FRONT / REAR
..FSB722	B	KC 100 C1/2/3/4	100 1980 1983 F/R
	B	KE 100 all models	100 1979 1991 F/R
	B	KH 100 A2 - A4	100 1978 1981 R
	B	KH 100 G2 - G3	100 1981 1982 R
	B	KH 100 G4	100 1983 R
	B	KM 100 A4 - A6	100 1978 1981 R
	B	KLX 110 R	110 2002 R
	B	KAZER 115 R	115 1998 1999 R
KAWASAKI 3 WHEELERS	A	KLT 110 A1 / A2 / A3	110 1984 1986 F
	A	KLT 160 A1	160 1985 2000 F
	A	KLT 185 A1 / A2	185 1986 1987 F
	A	KLT 200 All Models	200 1981 1984 F
	A	KLT 250 All Models	250 1982 2000 F
KAWASAKI ATV	A	KLF 110 MOJAVE A / B	110 1987 1988 F
MODENAS	B	KRISS 115	115 1999 R
	B	KRISS 115	115 2000 F/R
SUZUKI	B	AP 50	50 1971 1978 F/R
	B	AP 50	50 1995 2002 R
	B	F 50	50 1971 1973 F/R
	B	FR 50	50 1971 1981 F/R
	B	GT 50	50 1977 1980 R
	B	RM 50 C - N - T	50 1978 1980 F/R
	B	TS 50 D all models	50 1979 F/R
	B	ZR 50 KEN - KEX	50 1979 R
	B	FR 70	70 1974 F/R
	B	3 E 80	80 R
	B	FR 80 all models	80 1976 1983 F/R
	B	GT 80 L	80 1981 R
	B	RM 80 N - B - C	80 1977 1979 F/R
	B	TS 90	90 1971 1973 F
	B	A 100 all models	100 1974 1980 F/R
	B	GP 100 C - DEN - N - X	100 1978 1987 R
	B	GP 100 UD - UN - UX	100 1979 1992 R
	B	RM 100 A - B - C	100 1976 1978 F
	B	RM 100 N-T-X	100 1979 1981 F
	B	TS 100 K - L - M	100 1973 1975 F
	B	CS 125 D	125 1983 F/R
	B	RV 125 K	125 1973 F
	B	RV 125 K2/ K3 / K4 VAN VAN	125 2002 R
	B	TS 125 K	125 1972 1972 F
	B	VAN VAN 125 (RV)	125 2010 R
	B	TS 185 K	185 1973 1973 F
	B	PE 250 N	250 1979 1979 F/R
	B	PE 250 X - Z	250 1981 1982 F
	B	PE 400 T	400 1979 1981 F
	B	PE 400 X	400 1979 1981 F
FSB723	KAWASAKI	KLX 125 A	125 2003 2006 F/R
	B	KLX 125 L	125 2003 2006 R
KAWASAKI ATV	A	KSF 50 / KFX 50	50 2003 2007 R
SUZUKI	B	OR 50	50 1980 R
	B	RM 50 X - Z 50	50 1981 1982 F/R
	B	TS 50 XKE-XKG all models	50 1984 2000 R
	B	ZR 50 SKX - SLKX	50 1981 1987 R
	B	DS 80	80 1993 2000 F/R
	B	RM 80 X - D - E	80 2000 R
	B	RM 80 XT - XX	80 1980 1981 F/R
	B	TS 100 ERZ	100 1982 1987 R
	B	TS 125 ERZ - FFS	125 1982 1983 R
SUZUKI ATV	A	LT-A 50 QUADSPORT	50 2002 2005 R
	A	LT-Z 50 QUADSPORT	50 2006 R
	A	LT-Z 90 QUADSPORT	90 2006 F
FSB724	KAWASAKI	B KDX 250 B1	250 1979 R
	B	KL 250 A1 - A2	250 1978 1979 R
	B	KX 250 A all models	250 1974 1981 R
	B	KX 420 A1 - A2	420 1980 R
	B	ADRESS 125	125 2008 R
	B	SB 200 N - X	200 1979 1981 F
	B	PE 250 B - C	250 1977 1978 F/R
	B	PE 250 T	250 1980 1980 F/R
	B	PE 250 X - Z	250 1981 1982 R
	B	RM 250 A - B - C	250 1976 1978 R
	B	RM 250 N	250 1979 F
	B	TS 250 all models	250 1974 1982 F/R
	B	TS 250 X all models 250	250 1986 1989 R
	B	SP 370 C - N	370 1977 F/R
	B	DR 400 ST - SX	400 1979 1981 F/R
	B	LS 400 SAVAGE	400 1987 F/R
	B	PE 400 T	400 1979 1981 R



CC FROM TO FRONT / REAR

CC	FROM	TO	FRONT / REAR
	B	PE 400 X	400 1979 1981 R
	B	RM 400 C	400 1978 1978 R
	B	RM 400 N	400 1979 1979 F
	B	SP 400	400 1979 F/R
	B	ST 400	400 1979 F/R
	B	SX 400	400 1979 F/R
	B	DR 500 SD - SE	500 1983 F/R
SUZUKI 3 WHEELERS	A	ALT 125 E/F/G	125 1984 1986 R
	A	ALT 185 F	185 1985 1987 R
SUZUKI ATV	A	LT 125 E	125 1984 2000 R
	A	LT 160 (All models)	160 1989 2004 R
	A	LT 185 E/F/G/H	185 1984 1987 R
	A	LT 230 GEF/GEG QUADRUNNER	230 1985 1986 R
	A	LT-F 230 G/H	230 1986 1987 R
FSB725	SUZUKI	GN 250 F / J	250 1983 1997 R
	B	GNX 250 E	250 1983 R
	B	GS 250 E	250 1979 1981 R
	B	GS 250 T - TT - TX	250 1979 1981 R
	B	GSX 250 E - ET - EX - EZ - T	250 1979 R
	B	GSX 250 S	250 1985 1990 R
	B	GT 250 EN - ET - EX	250 1978 R
	B	GT 250 X7	250 1978 R
	B	GN 400 TT	400 1980 R
	B	GSX 400 ET - EX - EZ	400 1980 1983 R
	B	GSX 400 L	400 1980 1983 R
	B	GSX 400 TWIN	400 1980 1983 R
	B	GS 425 EN	425 1978 1980 R
	B	GS 450 ET - L - T	450 1980 1980 R
	B	GR 650 - X	650 1983 R
	B	LS 650 P	650 1993 R
	B	LS 650 SAVAGE	650 1987 1999 R
	A	LT-A/F 400 EIGER (All models)	400 2002 2008 R
	A	LT-A/F 400 KING QUAD (Left) - All Models	400 2008 2009 R
	A	LT-F 400 K8 Manual 2WD (Left)	400 2008 R
FSB726	SUZUKI	CL 50 D LOVE	50 1983 R
	B	CL 50 D SUZY	50 1983 R
	B	CS 50 D	50 1983 1984 F/R
	B	CS 50 Z ROADIE	50 1983 1984 F/R
SUZUKI 3 WHEELERS	A	ALT 50 D/E	50 1983 1984 R
SUZUKI ATV	A	LT 50	50 1984 1987 R
FSB727	E-TON ATV	DXL-90 Sierra	90 1999 2003 F
KAWASAKI ATV	A	KSF 50 / KFX 50	50 2003 2007 F
	A	KSF 80 / KFX 80	80 2003 2006 F
	A	KSF 90 / KFX 90	90 2006 2007 F
SUZUKI	B	CARNA 50	50 1990 F
	B	CL 50 D LOVE	50 1983 F
	B	CL 50 D SUZY	50 1983 F
	B	F 50 SUZY	50 F/R
	B	FS 50 T - X SNIP	50 1981 1982 F/R
SUZUKI ATV	A	LT-A 50 QUADSPORT	50 2002 2005 F
	A	LT-Z 50 QUADSPORT	50 2006 F
	A	LT 80 all models	80 1987 2007 F
FSB728	SUZUKI	B RG 50 GAG - GAMMA	50 1987 R
	B	S 50 K	50 1993 F
	B	RM 100 N-T-X	100 1979 1981 R
	B	RM 125 N - T	125 1979 1980 R
	B	TS 125 X	125 1988 R
	B	TS 240 X	240 1988 1990 R
FSB729	SUZUKI	B TS 50 XKE-XKG all models	50 1984 2000 F
	B	TS 80 X	80 1984 F
	B	RM 125 N	125 1979 1980 R
	B	TS 125 L - LC - XE	125 1984 1987 R
	B	TX 125 XF	125 1985 R
FSB730	MBK	B CHAMP 50	50 F/R
YAMAHA	B	CA 50 SALIENT	50 1983 1986 F
	B	MA 50 M	50 1981 F/R
	B	MINT 50	50 1996 F
	B	MJ 50 M TOWNY	50 1981 1993 F/R
	B	MS 50	50 1985 1986 F
	B	PW 50	50 1980 2013 F/R
	B	QA 50 POCKE	50 1983 F/R
	B	QB 50 VOGEL	50 1983 F/R
	B	QT 50	50 1980 F/R
	B	SA 50 M - ME PASSOLA	50 1980 1984 F
	B	SH 50 RAZZ	50 1993 F
FSB731	ADLY	B Cat 50	50 1998 R
	B	Fox 50 / SILVER FOX 50	50 2000 R
	B	G-Shock 50	50 1998 R

B = Bike
A = ATV
S = Snowmobile

B = Bike
A = ATV
S = Snowmobile



CC FROM TO FRONT / REAR

Model	CC	FROM	TO	FRONT / REAR
...FSB731	B	Jet 50	50 1996	R
	B	Pista 50	50 1996	R
	B	Predator 50	50 2000	R
	B	Super Sonic 50	50 2000	R
	B	Thunderbike 50	50 1997	R
	B	Cat 100	100 1998	R
	B	G-Shock 100	100 1998	R
	B	Jet 100	100 1996	R
	B	Predator 100	100 2000	R
	B	Cat 125	125 1998	R
BENELLI		QuattroNove X (50cc/All Rear Drum Models)	50 2008 2012	R
BRANDY-BRAS	B	BRANDY 50	50	R
	B	BRANDY 90	90	R
CPI	B	HUSSAR 50	50 2001 2002	R
	B	OLIVER 50	50 2003 2005	R
	B	HUSSAR 50 / 125 / 150	125 2003	R
FANTIC	B	PONY 50	50 1993	F/R
	B	PONY 50 SR	50 1993	R
	B	QUEENIE 50	50 1995	R
ITALJET	B	ADLY 50	50 1990 1995	R
KEEWAY		50 Zahara (2T/4T)	50 2013	R
		Agora 50 (2T/4T)	50 2010	R
		ARN 50 (25/45)	50 2010 2011	R
		Easy/Hurricane 50 (25/45)	50 2007 2012	R
		F-Act 50	50 2007 2010	R
		F-Act 50 EVO (4T)	50 2009	R
		F-Act- 50 Racing (25/45)	50 2010 2012	R
		F-Act- 50 RS	50 2010 2011	R
		F-Act-NKD 50	50 2009 2011	R
		Flash 50	50 2007 2009	R
		Flash 50 Electric	50 2009 2010	R
		Focus 50	50 2006 2007	R
		Goccia 50 (2T/4T)	50 2008	R
		Hacker 50	50 2008 2009	R
		Hurricane 50	50 2007	R
		Hurricane 50-Base	50 2007	R
		Matrix 50 (2T)	50 2006 2012	R
		Matrix V4 50 (25/45)	50 2010 2011	R
		Pixel 50	50 2008 2012	R
		RY6 50cc (25/45)	50 2010	R
		RY8 50cc (All models)	50 2007 2009	R
		RY8 SP 50cc (25/45)	50 2010 2011	R
		Swan 50 (25/45)	50 2010 2011	R
		125 Zahara (2T/4T)	125 2013	R
		ARN 125	125 2006 2012	R
		F-Act 125	125 2007 2011	R
KOTIR	B	RS 50	50 1990	F/R
KSR MOTO BY GENERIC		Epico Electric	2012 2013	R
		50 GT Race Explorer	50 2009 2009	R
		Cracker 50 (2T/4T)	50 2009	R
		Epico 50 (2T)	50 2010	R
		Jump 50 (2T)	50 2012	R
		Onyx 50 (2T/All Models)	50 2010 2012	R
		Race 2 50 (2T/4T)	50 2010	R
		Roc 50	50 2008 2011	R
		Sirion 50 (2T/4T)	50 2012	R
		Toxic 50 Sport (2T)	50 2012 2012	R
		Vendetta 50 (2T)	50 2012	R
		Race 2 125 (4T)	125 2010	R
		Sirion 125 (4T)	125 2012	R
		Vertigo 125	125 2013	R
LEM	B	FLASH 50	50 1994	R
	B	GHIBLI 50	50 1990	F/R
MBK	B	BOOSTER 50 NEXT GENERATION	50 1996 1998	R
	B	EVOLIS 50	50 1992	R
	B	OVETTO 50	50 1997	R
	B	ROCKET 50	50 1996 1998	R
	B	SORRISO 50	50 1992 1996	F/R
	B	STUNT 50	50 2000	R
	B	TARGET 50	50 1992	R
	B	X-LIMIT 50	50 1998 2003	R
	B	EVOLIS 80	80 1994	R
	B	XC 125 FLAME	125 1998	R
	B	XC 125 FLAME R	125 1998	R
PEUGEOT		Sum-Up (125cc)	125 2008 2011	R
		Tweet 125 (4T/Rear Drum Model)	125 2010 2012	R
		Vivacity 125 (4T)	125 2010 2012	R
		Vivacity Sixties 125 (4T)	125 2011 2012	R



CC FROM TO FRONT / REAR

Model	CC	FROM	TO	FRONT / REAR
		Tweet 150 (4T/Rear Drum Model)	150 2010 2012	R
PGO	B	MY BUBU 50	50 2003	R
POLARIS ATV	A	SCRAMBLER (3 wheeler)	1985 1986	F
	A	TRAIL BOSS 2x4	1985 1987	F
	A	CYCLONE 250 X	250 1987 2000	F
RAPIDO	B	SCREENNA 50	50	R
YAMAHA	B	50 SPY	50 1996 1998	R
		BW's 50	50 2004 2004	R
		BW's NAKED 50	50 2003 2004	R
	B	CR 50 TARGET	50 1991	R
	B	CR 50 Z	50 1992	R
		CS 50 Jog R	50 2002 2005	R
		CS 50 Z (Jog RR)	50 2003 2005	R
	B	CT 50 SUPER SPORT	50 1990	F/R
	B	DT 50 LCD	50 1996 1998	R
	B	DT 50 R	50 1997	R
	B	EW 50 SLIDER	50 2000 2003	R
	B	YE 50 ZEST	50 1992	R
	B	YH 50 WHY	50 1999	R
		YN 50 NEO'S	50 2002 2006	R
		YN 50 R NEO'S	50 1997 2002	R
	B	YSR 50	50 1986 1987	R
	B	YSR 60	60 1986 1987	R
	B	80 BELUGA	80 2000	F/R
	B	TY 80	80 1983	R
	B	YSR 80	80 1986	R
	B	CR 90 TARGET	90 1991	R
	B	TT-R 90	90 2000 2004	R
	B	RT 100	100 1994 2003	F/R
	B	YB 100	100 1982 1986	R
	B	YB 100	100 1987 1992	F/R
	B	YZ 100 J - K	100 1982 1983	F
	B	TT-R 110	110 2008	R
	B	SR 125	125 1997 2003	R
	B	SR 125 SE	125 1982 1992	R
	B	TT-R 125	125 2000	F/R
	B	TT-R 125 LW	125 2000 2012	R
	B	TW 125	125 1998 2002	R
	B	XC 125 CYGNUS	125 1996 1997	R
	B	XC 125 CYGNUS T	125 1995	R
	B	TW 200	200 1989 1992	R
	B	TW 200	200 1993 2000	R
	B	TW 200	200 2001 2003	R
	B	SEROW 225 XT	225 1985 1992	R
	B	TT-R 225	225 1999 2002	R
YAMAHA 3 WHEELERS	A	YT 175 J/K	175 1982 1983	F
	A	YTM 200 EK/EL	200 1983 1984	F
	A	YTM 200 ERN	200 1985 2000	F
	A	YTM 200 K/L/N	200 1983 1985	F
	A	YTM 225 DRN/DRS	225 1985 1986	F
	A	YTM 225 DXK/DXL/DXN	225 1983 1985	F
YAMAHA ATV	A	YFM 50 RAPTOR	50 2004 2007	F
	A	YFM 80 BADGER	80 1992 2001	F
	A	YFM 80 GRIZZLY	80 2005 2008	F
	A	YFM 80 RAPTOR	80 2002 2008	F
	A	YFM 100 W/A/B CHAMP	100 1989 1991	F
	A	YFA1 125 BREEZE	125 1989 1991	F
	A	YFA1 125 BREEZE	125 1992 2004	F
	A	YFM 125 GRIZZLY	125 2004 2010	F
	A	YFM 200 (Moto 4)	200 1985 1989	F
	A	YFS 200 BLASTER	200 1988 2002	F
	A	YFM 225 (Moto 4)	225 1986 1988	F
	A	YFB 250 D/E/F TIMBERWOLF	250 1992 1994	F
FSB732	CPI	POPCORN 50	50 2003	R
GARELLI	B	GRINTA	50 1995	R
	B	PONY 50	50 1992	F/R
	B	PONY 50 SR	50 1992 1995	R
	B	QUEENIE	50 1995	R
HONDA	B	CN 250 HELIX	250 1986 1987	R
YAMAHA	B	50 CHAPPY	50 1980	F/R
	B	DT 50 M - MX	50 1978 1987	F/R
	B	FS 1 50 E	50 1974 1975	F/R
	B	FS 1 50 E DX	50 1976 1979	R
	B	FS 1 50 SE	50 1981 1982	F/R
	B	LB 2 50 M CHAPPY	50 1980	F/R
	B	LC 50 M	50 1980	F/R
	B	RD 50 M	50 1978	R
	B	RD 50 MX	50 1981 1987	R



CC FROM TO FRONT / REAR

...FSB732

B	TY 50 M	50	1979		F/R		
B	V 50 M - P	50	1974	1982	F/R		
B	V 70 A	70	1976		F/R		
B	BOP 80 2	80	1980		F/R		
B	DT 80 LC	80	1981		F/R		
B	DT 80 LC - LC II - N	80	1985		R		
B	DT 80 MX - MX-S	80	1981		F/R		
B	FS 80 SE	80	1981	1982	F/R		
B	RD 80 AIR COOLED	80	1981	1982	R		
B	RD 80 LC2 - LCS	80	1982		R		
B	RD 80 MX	80	1981	1982	R		
B	RX 80 SE	80	1982		R		
B	TY 80	80	1977		R		
B	V 80	80	1979	1982	F/R		
B	YZ 80	80	1977	1979	R		
B	V 90	90	1978		F/R		
B	DT 100	100	1976	1980	F		
B	RS 100	100	1975	1977	F/R		
B	RS 100 all models	100	1977	1980	R		
B	YB 100	100	1978	1981	F/R		
B	YB 100	100	1982	1986	F		
B	YZ 100 E - F - G - H	100	1978	1981	F		
B	IT 125 G - H - J	125	1980	1982	F		
B	TY 125	125	1982		F		
B	TY 175	175	1977	1980	F		
B	TW 200 T/U/W	200	1987	1988	R		
B	TY 250 D - E - F - G	250	1977	1980	F		
B	TY 250 R	250	1991	1993	R		
B	TY 250 S - RS	250	1984	1990	R		
FSB733	APRILIA	B	SCARABEO 100 (Minarelli engine)	100	2000		R
	KEEWAY		110 Kee	110	2012		R
			110 Target	110	2013		R
		B	125 New Strike	125	2013		F/R
		B	125 Strike	125	2013		R
			125 Target	125	2013		R
			Focus 125	125	2006	2007	R
			Matrix 125	125	2006	2007	R
			Matrix 125	125	2007	2010	R
			RKS 125	125	2012		R
		B	150 New Strike	150	2013		F/R
		B	150 Strike	150	2013		R
			Arn 150	150	2006	2009	R
			F-Act 150	150	2007	2010	R
			Matrix 150	150	2007	2010	R
		B	RKS 150	150	2012		R
			200 New Strike	200	2013		F/R
		B	RKS 200	200	2012		R
	MBK	B	NITRO 100	100	2000	2003	R
		B	OVETTO 100	100	2000	2002	R
	SACHS	B	ROADSTER 125	125	2000	2003	R
	SINNIS	B	Pioneer 125	125	2009	2010	R
			QM 125 T- Matrix	125	2010		R
			QM 125 T-10H Matrix II	125	2010		R
			QM 125 T-10R Eagle 125	125	2010		R
		B	QM 125-2 V Max 125	125	2008	2010	R
			Sublime 125	125	2009	2010	R
			WY 125 T-56A Nitro 125	125	2009	2010	R
	YAMAHA	B	DT 80 LC2	80	1993		R
		B	RD 80 LC1	80	1982		R
		B	TZR 80	80	2000		R
		B	DT 100	100	1976	1980	R
		B	YQ 100 AEROX	100	2000	2002	R
		B	YZ 100 E - F - G - H	100	1978	1981	R
		B	YZ 100 J - K	100	1982	1983	R
		B	125 ACTIVE	125	1990		F/R
		B	BL 125 BELUGA	125	1985	1987	F/R
		B	BL 125 BELUGA	125	1988	1992	R
		B	DT 125 (Italia)	125	1986	1987	R
		B	DT 125 CHESTERFIELD SCOUT	125	1988		R
		B	DT 125 CHESTERFIELD SCOUT	125	1989		R
		B	DT 125 E - LC - MX	125	1974	1984	F/R
		B	DT 125 LC - R	125	1985	1986	R
		B	DT 125 LC TENERE	125	1988		R
		B	DT 125 MX (drum brakes)	125	1992		F/R
		B	DT 125 TENERE (Italia)	125	1987		R
		B	IT 125 G - H - J	125	1980	1982	R
		B	RD 125 DX	125	1975	1977	R
		B	RD 125 LC	125	1982	1984	R



CC FROM TO FRONT / REAR

FSB732

B	RD 125 LC R	125	1985	1987	R		
B	RS 125	125	1975		R		
B	RS 125 DX	125	1976	1980	R		
B	SR 125 SE	125	1982	1992	F		
B	TY 125	125	1982		R		
B	TZR 125	125	1987	1989	R		
B	XC 125 BELUGA	125	1993		R		
B	YZ 125 C - D - E - F - G - H - J	125	1976	1982	R		
B	CRYPTON T135	135	2006		R		
B	DT 175 MX	175	1974	1983	F/R		
B	IT 175 G - H - I	175	1980	1982	R		
B	TY 175	175	1977	1980	R		
B	RT 180	180	1990	1992	R		
B	XC 180 GYGNUS	180	1983	1985	F		
B	TW 200	200	1989	1992	F		
B	XV 240 VIRAGO	240	1991	1992	R		
B	SR 250	250	1987		R		
B	SR 250 E (Espana)	250	1990	1994	R		
B	SR 250 SE	250	1980	1982	R		
B	TT 250 S	250	1987	1992	R		
B	TY 250 D - E - F - G	250	1977	1980	R		
B	XL 250 G	250	1980		R		
B	XT 250	250	1980		F/R		
B	XV 250 VIRAGO	250	1993	1994	R		
B	YZ 250	250	1985	1987	R		
B	YZ 250 G	250	1980		R		
B	YZ 250 J - K - L	250	1982	1984	R		
B	TT 350	350	1986	1990	R		
B	XT 350	350	1988	1990	R		
B	XT 350	350	1991		R		
B	XT 350	350	1992	1995	R		
B	XT 350 4 VALVES	350	1986	1987	R		
B	IT 490 L	490	1983	1984	R		
B	YZ 490 K - L	490	1983	1984	R		
B	TT 600	600	1987	1992	R		
B	TT 600 L	600	1983	1984	R		
B	TT 600 N	600	1985	2000	R		
B	XT 600 4 VALVES	600	1986	1986	R		
B	XT 600 Z TENERE	600	1985	1987	R		
YAMAHA ATV	A	YFM 80 N/S (MOTO4)	80	1985	1986	R	
	A	YFM 80 T/U	80	1987	1988	R	
	A	YFM 100 T/U CHAMP	100	1987	1988	R	
	A	YFM 100 W/A/B CHAMP	100	1989	1991	R	
	A	YFA1 125 BREEZE	125	1989	1991	R	
FSB734	YAMAHA	B	RS 125	125	1975		F
		B	XC 180 GYGNUS	180	1983	1985	R
		B	RD 200 DX	200	1975	1978	R
		B	RS 200	200	1979		F/R
		B	RS 200 C	200	1975	1980	R
		B	TW 200 T/U/W	200	1987	1988	F
		B	DT 250 MX	250	1975	1980	R
		B	IT 250 H - J - K	250	1981	1983	R
		B	IT 250 L	250	1984		R
		B	TY 250 H	250	1981	1983	R
		B	YZ 250 H	250	1981		R
		B	XT 350 4 VALVES	350	1985		R
		B	DT 400 MX	400	1975	1977	R
		B	SR 400 (3HT1)	400	1985	2000	R
		B	SR 400 (BC-RH01J)	400	2001		R
		B	SR 400 (RH051)	400	2014		R
		B	IT 465 H - I	465	1981	1982	R
		B	YZ 465 G - H - J - U	465	1980		R
		B	YZ 490	490	1985	1987	R
		B	YZ 490 J	490	1982	1982	R
		B	SR 500	500	1978	1982	R
		B	SR 500	500	1993		R
		B	XT 500	500	1976	1981	R
		B	XT 500 (Austria)	500	1983		R
		B	XT 550	550	1982	1983	F/R
		B	TT 600 N	600	1985	1988	R
		B	XT 600 4 VALVES	600	1984	1985	R
		B	XT 600 Z TENERE	600	1983	1984	R
FSB735	YAMAHA	B	RD 250 A - B - C	250	1974	1977	R
		B	RD 250 LC	250	1980		R
		B	RD 250 LC	250	1981	1983	R
		B	RD 350 A - B	350	1974	1976	R
		B	RD 350 LC	350	1980		R
		B	RD 350 LC	350	1981	1982	R

B = Bike
A = ATV
S = Snowmobile

B = Bike
A = ATV
S = Snowmobile



			CC	FROM	TO	FRONT / REAR			
...FSB735		B	RD 350 S	350	1974	1976	R		
		B	XS 360 B	360	1975	1975	R		
		B	XS 650	650	1975	1976	R		
		B	XS 650	650	1977	1981	R		
		B	XS 650 SE	650	1981		R		
FSB736	SINNIS YAMAHA	B	QM 125-2 C Vista 125	125	2008		R		
		B	XS 250 C	250	1980		R		
		B	XS 250 D - E	250	1979	1981	R		
		B	XS 250 SE - SF SPECIAL	250	1979	1981	R		
		B	YP 250 MAJESTY	250	1996	1997	R		
	YAMAHA ATV	B	XS 400	400	1979	1979	R		
		B	XS 400 DOHC	400	1982		R		
		B	XS 400 SE	400	1980	1981	R		
		B	XS 400 SPECIAL	400	1982		R		
		A	YFM 350 4x4 Grizzly	350	2007	2010	R		
		A	YFM 350 BRUIN (All Models)	350	2004	2006	R		
		A	YFM 350 FW 4WD BIG BEAR	350	1999	2003	R		
		A	YFM 350 FW H/J/K BIG BEAR	350	1996	1998	R		
		A	YFM 400 BIG BEAR (All Models)	400	2000	2007	R		
		A	YFM 400 FW KODIAK	400	1993	1998	R		
		A	YFM 400 KODIAK AUTO	400	2003		R		
		A	YFM 600 GRIZZLY (All)	600	1998	2001	R		
		FSB737	YAMAHA	B	YZ 125	125	1985	1987	R
				B	YZ 125 K - N - L	125	1983	1984	R
B	IT 200			200	1984		F/R		
B	TY 250 S - RS			250	1984	1990	F		
FSB738	MBK	B	ACTIVE 50	50	1990		F		
		B	BOOSTER 50	50	2000		F/R		
		B	BOOSTER 50 / SPIRIT	50	1996		R		
		B	BOOSTER 50 R	50	1994	1995	R		
		B	BOOSTER 50 TRACK	50	1996	1998	R		
		B	FIZZ 50	50	1994		R		
		B	FLIPPER 50	50	1998		R		
		B	FORTE 50	50	1995		R		
		B	ACTIVE 75	75	1990		F		
		B	ACTIVE 80	80	1990		F		
		YAMAHA	B	50 BELUGA	50	1990	1995	F	
			B	50 BREEZE	50	1994	1996	R	
			B	50 GRAFIX	50	1993		F/R	
			B	50 TRAFIC	50	1993		F/R	
			B	50 ZUMA	50	1996		R	
				BW'S / ZUMA II 50	50	1995		R	
			B	BW'S 50	50	1992	1994	F/R	
			B	CW 50 RS	50	1995		R	
			B	CY 50 JOG-IN	50	1991	1995	R	
			B	DT 50	50	1988	1992	F/R	
	B		DT 50 R	50	1993	1997	R		
	B		JOG 50	50	1990	1991	F/R		
	B		MINI 50 L SHAFT	50	1983		R		
	B		V 50 M	50	1983		F/R		
	B		YE 50 ZEST	50	1993	1995	R		
	B		80 BELUGA	80	1990		F		
	B		DT 80 (España)	80			F/R		
	B		DT 80 LC (España)	80	1989		R		
	B		PW 80	80	1991		R		
	B		T 80 TOWNMATE	80	1983	1997	F/R		
	B		V 80	80	1983		F/R		
	B		RX 100	100	1983	1996	F/R		
	B		105 CRIPTON	105	1996	1998	R		
	B	XT 125	125	1976		R			
	YAMAHA 3 WHEELERS	A	YT 60 L/N TRI-ZINGER	60	1984	1985	R		
		YAMAHA ATV	A	YF 60 S (MOTO4)	60	1986	2000	R	
			A	YFM 80 T/U	80	1987	1988	F	
	FSB739	MBK	B	ACTIVE 50	50	1990		R	
			B	ACTIVE 50	50	2000		F/R	
			B	ACTIVE 75	75	1990		R	
			B	ACTIVE 80	80	1990		R	
			B	ACTIVE 80	80	2000		F/R	
			YAMAHA	B	50 BELUGA	50	1990	1995	R
B				50 BELUGA	50	2000		F/R	
B				CA 50 SALIENT	50	1983	1986	R	
B				CY 50 JOG-IN	50	1991	1995	F	
B				JOG 50 (Brasil)	50			R	
B				JOG 50 (España)	50	1988		R	
B				LC 50 M BOP	50	1980		F/R	
B			MINT 50	50	1996		R		
B	MS 50	50	1985	1986	R				



			CC	FROM	TO	FRONT / REAR			
		B	RS 50 CHAMP	50	1988		R		
		B	SA 50 M - ME PASSOLA	50	1980	1984	R		
		B	SG 50 STING	50	1984		F/R		
		B	SH 50 RAZZ	50	1993		R		
		B	80 BELUGA	80	1990		R		
		B	PW 80	80	1991		F		
		B	JOG 90	90	1990	1994	R		
		B	JOG 90 (Brasil)	90			R		
		FSB740	HONDA	B	NX 250	250	1988	1990	R
				B	NX 250 DOMINATOR	250	1988	1990	R
B	NX 250 DOMINATOR			250	1993		R		
B	XL 250			250	1991		R		
B	XL 250 DEGREE			250	1991		R		
B	XL 250 RC - RH			250	1982		R		
B	XL 250 S - SZ - SA			250	1978	1981	R		
B	XLX 250			250	1984		R		
B	XR 250 RB - RD			250	1981	1983	R		
B	XR 250 RE - RH			250	1984	1987	R		
FSB741	HONDA	B	CB 550 F - F1 - F2	550	1978		R		
		B	CB 550 K3	550	1978		R		
FSB742	HONDA	B	CB 250 B4	250	1973	1975	R		
		B	CB 250 G - G5	250	1975		R		
		B	CB 250 K3 - K4 - K5	250	1973	1975	R		
		B	CJ 250 I	250	1977		R		
		B	CB 350 K4	350			R		
		B	CB 360 G5 all models	360	1975		R		
		B	CJ 360 T all models	360	1978		R		
		B	CB 400 F - F1 - F2	400	1975	1979	R		
		HONDA 3 WHEELERS	A	ATC 250 SX / ES BIG RED	250	1985	1987	R	
			HONDA ATV	A	TRX 250 Drum Brake	250	1985	1987	R
A	TRX 250 Fourtrax	250		1985	1987	R			
A	TRX 300 (2WD) Fourtrax	300		1988	2000	R			
A	TRX 300 (4WD) FW Fourtrax	300	1988	2000	R				
FSB743	HONDA	B	CR 250 RA	250	1979	1980	R		
		B	CR 250 RZ	250	1979	1980	R		
		B	XL 500 SA - SB	500	1980		F		
FSB744	HONDA	B	CR 250 RB	250	1981		F		
		B	CR 250 RS	250	2000		F		
		B	XR 250 RB - RD	250	1981	1983	F		
		B	CR 450 RB - RS	450	1981		F		
		B	CR 480 RC	480	1982		F		
FSB745	HONDA	B	XR 500 R - RB	500	1981	1983	F		
		B	CR 125 RC	125	1982	1983	F/R		
		B	CR 125 RD	125	1983	1984	F		
		B	CR 250 RC	250	1982		F		
		B	CR 250 RD	250	1983		F		
FSB746	HONDA	B	CR 480 RD	480	1983		F		
		B	CR 125 RD	125	1983	1984	R		
		B	CR 125 RE	125	1984	1985	R		
		B	MBX 125 RWB	125	1984	1986	R		
		B	CR 250 RD	250	1983		R		
		B	CR 250 RE	250	1984	1985	R		
		B	XL 350 RD	350	1983		F		
FSB747	HONDA	B	CR 480 RD	480	1983		R		
		B	CR 500 RE - G - H - J	500	1984	1985	R		
		B	CR 125 RA	125	1979	1981	F		
		B	CR 125 RB	125	1979	1981	F		
		B	CR 125 RS	125	1979	1981	F		
		B	CR 125 RZ	125	1979	1981	F		
FSB748	HONDA	B	CR 250 RA	250	1979	1980	F		
		B	CR 250 RZ	250	1979	1980	F		
		B	CR 250 RA	250	1979	1980	F		
		B	XR 500 SA - SZ	500	1979	1980	F		
		B	CH 250 ELITE	250	1985	1986	R		
FSB749	HONDA	B	CH 250 SPACY	250	1985	1986	R		
		B	CN 250 ELITE	250	1985	1986	R		
		B	CN 250 HELIX-FUSION	250	1992		R		
		B	CB 175 all models	175	1974	1976	R		
		B	CB 200 B - T	200	1977	1979	R		
		B	CB 250 RSA - RSD - RSE	250	1981	1984	R		
		B	CL 250 SC	250	1981		R		
		B	VMX 250 F	250	1988		R		
		B	VT 250 F INTEGRA	250	1987		R		
		B	VT 250 F2	250	1982		R		
		B	VT 250 F2	250	1983	1984	R		
		B	VT 250 FD	250	1983		R		
		B	VT 250 FZ	250	1982	1987	R		



			CC	FROM	TO	FRONT / REAR
...FSB749		B	VTZ 250	250	1988	R
		B	XL 500 SA - SB	500	1980	R
FSB750	HONDA	B	CR 250 RS	250	2000	R
		B	CR 450 RB - RS	450	1981	R
FSB751	HONDA	B	XL 500 R - RC	500	1982	F
		B	XL 500 R PARIS DAKAR	500	1983	F
FSB752	HONDA	B	PX 50 E	50	1984	R
FSB753	ARCTIC CAT ATV	A	50 DVX (4T)	50	2006	2008 F
		A	50 Utility	50	2006	2008 F
		A	50-Y6 Youth (2T)	50	2004	2006 F
		A	90 DVX	90	2006	2010 F
		A	90 DVX SE	90	2009	F
		A	90 DVX SE	90	2009	F
		A	90 Reverse Gear Model	90	2010	2012 F
		A	90 Utility (2 x 4)	90	2006	2010 F
		A	90-Y12 Youth (2T-4T)	90	2002	2005 F
		A	150 Utility 2x4	150	2009	2010 F
	BOMBARDIER ATV	A	DS 50 (2 STROKE)	50	2002	2006 F
		A	QUEST 50	50	2003	2004 F
		A	DS 90 (2 STROKE / 4 STROKE)	90	2002	2006 F
		A	QUEST 90 (2 STROKE / 4 STROKE)	90	2003	2004 F
	CAN AM ATV	A	DS 70 (2x4/4T) Mini	70	2008	F
		A	DS 90 Mini 4 Stroke	90	2007	F
	HONDA ATV	A	TRX 70 Fourtrax	70	1986	1987 F
	KYMCO ATV	A	MAXXER 50	50	2005	F
		A	Mongoose 50 (2T)	50	2004	2008 F
		A	Mongoose 50 (4T) (Rear disc model)	50	2008	2009 F
		A	Mongoose 70 (4T)	70	2007	2009 F
		A	KXR 90 MONGOOSE	90	2002	2010 F
		A	MAXXER 90	90	2005	2006 F
	POLARIS ATV	A	PREDATOR 50	50	2004	2006 F
		A	SCRAMBLER 50	50	2001	2006 F
		A	PREDATOR 90	90	2003	2006 F
		A	SCRAMBLER 90	90	2001	2006 F
		A	SPORTSMAN 90	90	2001	2010 F
	QUADZILLA	A	ZR 50	50	2007	2009 F
FSB754	HONDA	B	PXR 50 ALL MODELS	50	1985	1995 R
	MBK	B	EVASION 50 (ruote in lega diritte)	50		F/R
		B	HARDROCK 50 (ruote in lega diritte)	50		F/R
		B	MAGNUM 50 (ruote in lega diritte)	50		F/R
	PEUGEOT	B	PASSION 50 (ruote in lega diritte)	50		F/R
		B	ST 50 RAPIDO	50		F/R
		B	SX 50	50		R
		B	SC 80	80		R
FSB755	HONDA	B	XBR 500 S - F - G - H	500	1985	R
		B	XLV 750 R - RD - RF	750	1984	1988 R
	HONDA ATV	A	TRX 250 D RECON/TE-TEA Recon ES/TM-TMA Recon	250	1997	2010 R
		A	TRX 250 EX Fourtrax/Sportrax/X/XA	250	2001	2010 R
	KYMCO	B	HIPSTER 125	125	1999	R
		B	K-PIPE 125	125	2012	2013 R
		B	PULSAR 125	125	1999	2013 R
		B	STRYKER 125	125	2001	2006 R
		B	ZING 125 / ZING II 125	125	1997	2013 R
		B	HIPSTER 150	150	1999	R
		B	STRYKER 150 (Off-Road)	150	2000	2006 R
FSB756	E-TON ATV	A	AXL 50 Lightning 50	50	1999	2000 F
		A	BXL-50 Draco	50	2005	2006 F
		A	NXL 50 Lightning 50	50	2001	2002 F
		A	TXL 50 Wizz 50	50	1998	1999 F
		A	Viper 70 RLX 70/70M (2T/4T)	70	2005	2009 F
		A	AXL 90 Thunder	90	1999	2000 F
		A	NXL 90 Thunder	90	2001	2002 F
		A	RXL 90 R Viper 90 R Reverse (2T/4T)	90	2003	2009 F
		A	RXL 90 Viper 90	90	2003	2006 F
		A	BXL 100 Draco	100	2005	2006 F
	HONDA	B	CRM 50	50	1988	1992 R
		B	CR 80 R	80	1987	1991 R
		B	CR 80 R2F	80	1985	R
		B	CR 80 RG	80	1986	R
		B	CRM 80	80	1988	1992 R
		B	MB 80	80	1980	R
	KAWASAKI ATV	A	KFX 50 / KSF 50	50	2007	2009 F
		A	KFX 90 / KSF 90	90	2007	2010 F
	KYMCO ATV	A	MXer 90	90	2004	F
	PGO ATV	A	X Rider 150	150	2004	2005 F
	POLARIS ATV	A	Outlaw 50	50	2007	2010 F
		A	Predator 50 (2 stroke)	50	2004	2006 F
		A	Outlaw 90	90	2007	2010 F



			CC	FROM	TO	FRONT / REAR
	TGB ATV	A	Hornet 50 Quad	50	2004	2005 F
		A	Hornet 90 Quad	90	2004	2005 F
FSB757	HONDA	B	CR 125 RG	125	1986	R
		B	CR 250	250	1986	R
		B	CR 500	500	1986	R
FSB758	HONDA	B	PXR 50 ALL MODELS	50	1985	1995 F
FSB759	FANTIC	B	RAIDER 250 (FM, 259)	250	1985	R
	GILERA	B	DAKOTA 350	350	1986	R
		B	ER 350	350	1987	R
		B	ER 500	500	1987	R
FSB760	ARCTIC CAT ATV	A	50-Y6 Youth (2T)	50	2004	2006 F
	HONDA	B	CD 175 all models	175	1971	1978 R
		B	TRZ 200 (4W)	200	1990	R
	HONDA 3 WHEELERS	A	ATC 90	90	1973	1978 R
		A	ATC 110	110	1979	1985 R
		A	ATC 125	125	1984	1987 R
		A	ATC 185	185	1980	1983 R
		A	ATC 200 (Drum Brake)	200	1981	1986 R
		A	ATC 250 R	250	1981	1982 R
		A	ATC 250 SX / ES BIG RED	250	1985	1987 F
	HONDA ATV	A	TRX 90 (Fourtrax/Sportrax/EX/X)	90	1993	2009 R
		A	TRX 125 Fourtrax	125	1985	1988 R
		A	TRX 200 (Fourtrax/SX Fourtrax/D Type II Fourtrax)	200	1986	1998 R
		A	TRX 200 Fourtrax	200	1984	R
		A	FL 250 ODYSSEY	250	1977	1984 R
	POLARIS ATV	A	PHOENIX 200 (Rear drum model)	200	2005	2010 R
		A	SAWTOOTH 200 (Rear drum model)	200	2006	R
FSB761	HONDA	B	CB 700 SC NIGHT HAWK	700	1984	R
		B	VF 700 C MAGNA	700	1985	R
		B	VT 700 C SHADOW	700	1986	R
		B	VT 700 C SHADOW	700	1987	R
		B	750 BLACK WIDOW	750	2001	R
		B	MAGNA 750	750	1993	R
		B	VFR 750 C V45 MAGNA	750	1988	R
		B	VT 750 AMERICAN CLASSIC EDITION	750	1998	1998 R
		B	VT 750 C SHADOW	750	1986	1996 R
		B	VT 750 C SHADOW	750	1997	2009 R
		B	VT 750 DC SHADOW BLACK SPIRIT	750	2010	R
		B	VT 750 DC Black Widow	750	2001	2004 R
		B	VT 750 DC Shadow Spirit	750	2007	2009 R
		B	VT 750 S	750	2010	2012 R
		B	PC 800 PACIFIC COAST	800	1989	1997 R
		B	VT 800 C	800	1988	R
		B	VT 1100 C	1100	1985	1993 R
		B	VT 1100 C SHADOW	1100	1994	R
	HONDA ATV	A	TRX 350/TRX 350D Fourtrax/Foreman	350	1986	1989 R
		A	TRX 500 FA Fourtrax Rubicon	500	2001	2004 R
		A	TRX 500 FA/FAA Fourtrax Foreman Rubicon	500	2005	2010 R
		A	TRX 500 FGA Fourtrax Foreman Rubicon Gpscape	500	2001	2005 R
		A	TRX 500 FGA Fourtrax Foreman Rubicon Gpscape	500	2005	2009 R
		A	TRX 500 FPA9 Fourtrax Foreman Rub. Gpscape EPS	500	2009	R
		A	TRX 500 TM/FE/FA/FMA/FP/FPM Fourtrax Foreman	500	2005	2010 R
	KAWASAKI	B	VT 800 C	800	1988	1990 R
FSB762	HONDA	B	CN 250	250	1988	1989 R
		B	CN 250	250	1990	1992 R
	ITALJET	B	VELOCIFERO 50	50	1994	2002 F
	PEUGEOT	B	ELYSEO 125	125	1998	2000 R
	PIAGGIO	B	HEXAGON 250	250	1998	1999 R
FSB763	YAMAHA	B	SR 125	125	1993	1996 R
		B	YZ 125 K - N - L	125	1983	1984 F
		B	IT 250 L	250	1984	F
		B	YZ 250 J - K - L	250	1982	1984 F
		B	IT 465 H - I	465	1981	1982 F
		B	YZ 465 G - H - J - U	465	1980	F
		B	IT 490 L	490	1983	1984 F
		B	YZ 490 J	490	1982	1982 F
		B	YZ 490 K - L	490	1983	1984 F
		B	TT 600 L	600	1983	1984 F
FSB764	SUZUKI	B	RM 80 X	80	1986	1989 R
		B	RM 80 XD - XE - XF - XZ	80	1981	1985 R
	YAMAHA	B	YZ 50 G - H - J - K	50	1980	1983 F/R
		B	YZ 60	60	1985	F/R
		B	PW 80 K	80	1983	1990 F/R
		B	TY 80	80	1977	F
		B	TY 80	80	1983	F
		B	YZ 80	80	1977	1979 F
		B	YZ 80	80	1980	1985 F/R
		B	YZ 80	80	1986	1992 R

B = Bike
A = ATV
S = Snowmobile

B = Bike
A = ATV
S = Snowmobile



			CC	FROM	TO	FRONT / REAR	
...FSB764		B	TT-R 90	90	2000	2004	F
		B	TT-R 110	110	2008		F
FSB765	YAMAHA	B	XV 400 VIRAGO	400	1988		R
		B	XVS 400	400	1998	1999	R
		B	XV 535 VIRAGO	535	1987	1994	R
		B	XV 535 VIRAGO	535	1995	1998	R
		B	KJ 650	650	1980		R
		B	XJ 650 TURBO	650	1983		R
		B	XVS 650 A DRAG STAR CLASSIC	650	1998		R
		B	XVS 650 DRAG STAR	650	1997		R
		B	XJ 750	750	1984	1984	R
		B	XV 750 VIRAGO	750	1992	1997	R
		B	XV 1000 SE MIDNIGHT SPECIAL	1000	1983		R
		B	XV 1000 TR 1	1000	1981		R
		B	XV 1000 VIRAGO	1000	1986	1988	R
		B	XV 1100 VIRAGO	1100	1989	1993	R
		B	XV 1100 VIRAGO	1100	1994	1998	R
FSB766	YAMAHA	B	SR 250	250	1987		F
FSB767	YAMAHA	B	DT 250 MX	250	1975	1980	F
		B	IT 250 G	250	1980		R
		B	SR 250 SE	250	1980	1982	F
		B	YD 250 S	250	1991		R
		B	YZ 250 D - E - F	250	1976	1979	R
		B	DT 400 MX	400	1975	1977	F
		B	YZ 400 D - E - F	400	1977	1979	R
		B	IT 425 G	425	1980		R
		B	IT 500 G - H	500	1980	1981	R
		B	TT 500 G - H	500	1976	1981	R
		B	XT 500	500	1976	1981	F
	YAMAHA ATV	A	YFM 350 ER W/A/D	350	1989	1992	F
FSB768	BETA	B	RX 50	50	1984		R
		B	RX 125	125	1984		R
FSB769	YAMAHA	B	TX 500	500	1975	1977	R
		B	XS 500 B	500	1975	1977	R
		B	XJ 550	550	1981	1984	R
		B	XZ 550	550	1982	1984	R
		B	XZ 550 S	550	1984	1986	R
		B	XV 750	750	1989	1993	R
		B	XV 750 SE	750	1981		R
		B	XV 750 VIRAGO	750	1992	1993	R
FSB770	YAMAHA	B	XS 250 C	250	1980		F
FSB771	YAMAHA	B	50 YAMY	50	1988		F/R
		B	50 YAMY ME	50	1988		F/R
FSB772	YAMAHA	B	BL 125 BELUGA	125	1988	1992	F
		B	BL 125 BELUGA	125	1993	1995	F
		B	RIVA 125 XX	125	1993		F
		B	XC 125 BELUGA	125	1993		F
		B	XC 185 BELUGA	185	1993		F/R
FSB773	SUZUKI	B	GT 250 A - B - C	250	1973	1978	R
		B	GT 250 K - L - M	250	1973	1978	R
		B	GT 380 J	380		1972	R
		B	GT 380 K/L/M/A/B	380	1973	1977	R
		B	GS 400 B - C	400	1977	1978	R
		B	GSX 400 TX - LX	400	1981	1983	R
		B	GT 500 A - B	500	1976	1978	R
		B	T 500 all models	500	1968	1975	R
		B	GT 550 J	550		1972	R
		B	GT 550 J	550	1972	1972	R
		B	GT 550 K - L - M	550	1973	1975	R
FSB775	SUZUKI	B	JR 50	50	1993	2003	F
		B	PE 175 T - X	175	1980	1981	R
		B	PE 175 Z	175	1982		R
FSB776	HYOSUNG	B	GV 125 AQUILA	125	2001		R
		B	KARION RT 125 D	125	2002		R
		B	XR 125 OFFROAD	125	1999		R
		B	GV 250 AQUILA	250	2001		R
	KAWASAKI ATV	A	KSF 80 / KFX 80	80	2003	2006	R
		A	KSF 90 / KFX 90	90	2006	2007	R
	SUZUKI	B	PE 175 Z	175	1982		F
		B	RM 250 E	250	1984		R
		B	RM 250 F - IG - G	250	1985	1986	R
		B	RM 250 T	250	1980		F
		B	RM 400 T	400	1980		F
		B	RM 465 X - Z	465	1981	1982	R
	SUZUKI ATV	A	LT 80 all models	80	1987	2007	R
		A	LT-Z 90 QUADSPORT	90	2006		R
		A	LT 125 F/G/H	125	1985	1987	R
FSB777	ATALA	B	HACKER 50	50	1996		R



			CC	FROM	TO	FRONT / REAR	
		B	SCHEGGIA 50	50	1998		R
	CAGIVA	B	MANTIS 50	50	1998		R
		B	PROGRESS 50	50	1997		R
	DERBI	B	HUNTER 50	50	1995		R
		B	PADDOCK 50 ST	50	1996		R
		B	PREDATOR 50 0.2	50	1999		R
		B	PROGRESS 50	50	1997		R
		B	RECORD 50	50	1998		R
		B	VAMOS 50	50	1994		R
		B	VAMOS 50 R	50	1995		R
	GARELLI	B	KRS 50	50	2002		R
		B	FREELAND 125	125	2002		R
		B	FREELAND 150	150	2002		R
	ITALJET	B	TORPEDO 50	50	1997		R
		B	VELOCIFERO 50	50	1994	2002	R
	PGO	B	T-REX 50	50	1999	2004	R
		B	T-REX 110	110	1999	2004	R
		B	CHARGE 125 A / B	125	2001	2002	R
			Ligero 125	125	2006	2008	R
			Ligero 125 (4T)	125	2008	2012	R
	PUCH	B	LIDO 75 (scooter)	75	1986		F/R
	RIZZATO	B	ATALA HACKER 50	50	1995		R
	SUZUKI	B	ADRESS 50 (SPAIN)	50			F/R
		B	AY 50 KATANA (Brembo caliper)	50	1997		R
		B	AY 50 W KATANA	50	1998		R
		B	AY 50 WR KATANA	50	1998		R
		B	CP 50	50	1991	1993	F/R
		B	CP 50 CHF	50	1985		F/R
		B	LIDO 50	50	1989	1990	F/R
		B	SEPIA 50	50	1992	1995	R
		B	UF 50 ESTILETE	50	2000	2002	R
		B	UX 50 ZILLION	50	1998	2002	R
		B	ZZ 50	50	1992	1995	R
		B	LIDO 75	75	1989		R
		B	AH 80	80	1992	1994	R
		B	CP 80 CHF	80	1985	1993	F/R
		B	AN 125	125	1995	2000	R
		B	LIDO 125 VARIO	125	1990	1993	R
		B	AN 150	150	1997	2000	R
	SUZUKI ATV	A	LT 160 (All models)	160	1989	2004	F
FSB778	SUZUKI	B	RM 125 E	125	1984	1984	F
		B	RM 250 D	250	1983		F
		B	RM 250 E	250	1984		F
		B	RM 500 D - E	500	1983	1984	F
FSB779	SUZUKI	B	RM 250 XZ	250	1981	1982	F
		B	RM 465 X - Z	465	1981	1982	F
	SUZUKI 3 WHEELERS	A	ALT 125 D	125	1983	1984	R
	SUZUKI ATV	A	LT 125 D	125	1983	2000	R
FSB780	SUZUKI	B	GS 550 B - C - D	550	1977	1978	R
		B	GT 550 A - B	550	1976	1977	R
FSB781	FANTIC	B	SPORT 125 HP1 (FM.265)	125	1985		R
		B	SPORT 125 MK II (f.a.tel.1706338)	125	1985		R
	GARELLI	B	GTA 125	125	1986	1986	R
FSB782	SUZUKI	B	RE 500 S A - M	500	1975	1977	R
		B	GV 700 GL	700	1985		R
		B	GT 750 A - B - K - L - M	750	1973	1977	R
	SUZUKI ATV	A	LT 250 EF	250	1985	1986	R
		A	LT-F 250 4WD QUADRUNNER	250	1987	2002	R
		A	LT 300 E	300	1987	1989	R
		A	LT-F 300 KING QUAD	300	1991	2001	R
		A	LT-F 300 KING QUAD (left)	300	2002		R
		A	LT-A 500 F QUADMASTER (left)	500	2000	2001	R
		A	LT-F 500 FW/FX/F1 QUADRUNNER (left)	500	1998	2002	R
FSB783	SUZUKI	B	RM 80 XD - XE - XF - XZ	80	1981	1985	F
FSB784	SACHS	B	ROADSTER 800	800	2001		R
	SUZUKI	B	VS 600 GL INTRUDER	600	1997	1999	R
		B	GV 700 GL MADURA	700	1984		R
		B	VS 700 GL INTRUDER	700	1985		R
		B	VS 750 INTRUDER (All Models)	750	1985	1991	R
		B	INTRUDER C800 - spoke wheel (VL 800)	800	2006	2013	R
		B	INTRUDER C800B - cast wheel (VL 800)	800	2014		R
		B	INTRUDER C800C - cast wheel (VL 800)	800	2007	2013	R
		B	INTRUDER M800 (VZ800)	800	2005	2013	R
		B	INTRUDER M800 /T (VZ800)	800	2014		R
		B	INTRUDER M800 Z (VZ800)	800	2009	2010	R
		B	VL 800 INTRUDER VOLUSIA	800	2001	2005	R
		B	VS 800 GL INTRUDER (VS52B)	800	1992	1999	R
		B	VS 800 S INTRUDER	800	1991	1992	R

3070

B = Bike
A = ATV
S = Snowmobile

FERODO
MOTORCYCLE PADS
Updated on 9th Oct 2015

B = Bike
A = ATV
S = Snowmobile



			CC	FROM	TO	FRONT / REAR	
...FSB784	SUZUKI ATV	B	VZ 800 MARAUDER / K7	800	1997	2003	R
		A	LT-F 400 X	400	1991	2000	R
FSB785	SUZUKI	B	DR 250 S	250	1983	1984	F
		B	RM 250 N	250	1979		R
		B	RM 250 T	250	1980		R
		B	RM 400 N	400	1979	1979	R
		B	RM 400 T	400	1980		R
FSB786	SUZUKI	B	RM 125 D - X - Z	125	1981	1983	R
		B	RM 125 E	125	1984	1984	R
		B	RM 125 F - G	125	1985	1986	R
		B	RM 125 H	125	1987		R
		B	RM 125 X - Z	125	1981	1983	R
		B	RM 250 D	250	1983		R
		B	RM 250 XZ	250	1981	1982	R
FSB787	SUZUKI	B	adaptable to 130x28 front and rear drums				F/R
FSB788	APRILIA	B	AMICO 50	50	1990	1991	F/R
		B	AMICO 50 all models	50	1992		R
		B	GULLIVER 50	50	1995	1998	R
		B	RALLY 50 air cooled	50	1995	2002	R
		B	SCARABEO 50	50	1994	1995	R
		B	SCARABEO 50 / 50 Street 4T-2T	50	1996		R
		B	SONIC 50 GP	50	1997		R
		B	SONIC 50 SPICE	50	1997		R
		B	SR 50 all models	50	1993	1996	R
		B	SCARABEO 70	70	1994		R
	ATALA	B	CAROSSELLO 50	50	1997		R
	BENELLI	B	491 50 GT	50	1997		R
		B	K2 50 all models	50	1998	2001	R
		B	Pepe 50 (5 Spoke Cast Wheel/2T/4T)	50	2010	2012	R
		B	PEPE 50/50 LX/Classic (7 Spoke Cast Wheel)	50	1999	2013	R
	BETA	B	CH 50	50	1996		R
		B	CHRONO 50	50	1992	1994	R
		B	CHRONO 50	50	1994		R
		B	CHRONO 50 13	50	1994		R
		B	CHRONO 50 502	50	1997		R
		B	QUADRA 50	50	1995		R
		B	TEMPO 50	50	1993		R
	BS VILLA	B	AX 50	50	1993		R
		B	GZ 50	50	1993		R
	CAGIVA	B	CITY 50	50	1992	1994	R
		B	CITY 50	50	1995		R
	HUSQVARNA	B	WRS 50 (SCOOTER)	50	1998	2000	R
	KTM	B	CHRONO 50 SCOOTER	50	1994		R
		B	GO 50 SCOOTER	50	1994		R
	MALAGUTI	B	CENTRO 50	50	2000		R
		B	CENTRO 50 4T / SL 4T	50	2008		R
		B	CENTRO 50 SL	50	1993	1999	R
		B	CIAK 50 / CIAK Master 4T 50	50	1999		R
		B	F 10 50 JETLINE	50	1992	1993	R
		B	F 10 50 JETLINE /F10 WAP JETLINE	50	1994		R
		B	F 12 50 PHANTOM (liquid cooled)	50	1994		R
		B	F 12 50 PHANTOM (liquid cooled)	50	1995	1997	R
		B	F 15 50 FIREFOX	50	1996	1997	R
		B	F12 R 50 PHANTOM (all air cooled models)	50	2007	2011	R
		B	YESTERDAY 50	50	1998		R
	SYM	B	JET 50	50	1999		R
		B	JUNGLE 50	50	1999	2002	R
		B	MASK 50	50	2000		R
		B	RED DEVIL 50	50	1999		R
		B	SUPER FANCY 50	50	1996	2002	R
		B	SUPER FANCY 50 (G5H-6/H325)	50	1996	2002	R
		B	JET 100	100	1999		R
		B	SUPER DUKE 125 / 150	125	1999	2000	R
	YAMAHA	B	50 AXIS	50	1993		R
		B	50 AXIS PROFOOT	50	1994		R
		B	50 TRUNK	50	1994		R
		B	JOG 50 (Italia)	50	1993		R
		B	JOG 50 Z (Italia) - R / RR	50	1993		R
FSB789	SUZUKI ATV	A	LT-F 250 F QUADRUNNER	250	1999	2002	R
		A	LT-F 250 QUADRUNNER	250	1988	2001	R
FSB790	SUZUKI	B	DR 750 S BIG	750	1988		R
FSB791	SUZUKI	B	CARNA 50	50	1990		R
FSB792	ATALA	B	BYTE 50	50	1996		R
		B	HACKER 50	50	2000		R
	SUZUKI	B	ADRESS 50	50	1990	1991	F/R
		B	ADRESS 50	50	1992	1995	R
		B	AH 50	50	1993	1995	F/R
		B	SEPIA AU 50 ZZ	50	1996	1998	R



			CC	FROM	TO	FRONT / REAR	
		B	TUNE 50	50	1993	1995	R
FSB793	KAWASAKI	B	KH 250 B1 - S	250	1977	1982	R
		B	S1 250 B	250	1975		R
		B	KH 400 A3-5	400	1976	1981	R
FSB794	KAWASAKI	B	KH 500 A8	500	1976		R
		B	KH 500 H1 -B/D/E	500	1974	1975	R
	KAWASAKI ATV	A	KLF 300 BAYOU 4x4 C Series (left)	300	1989	2004	R
		A	KVF 300 PRAIRIE (2x4/4x4)	300	1999	2002	R
		A	KLF 400 BAYOU 4x4 B Series (left)	400	1993	1999	R
		A	KVF 400 PRAIRIE (2x4/4x4)	400	1997	2002	R
FSB795	KAWASAKI	B	Z 900 A 4	900	1977	1978	R
FSB796	MOTO GUZZI	B	V 7 700 SPECIAL	700	1969	1971	F
		B	V 750 750 SPORT	750	1972	1974	F
		B	CALIFORNIA 850 GT	850	1972	1974	F
		B	GT 850	850	1972	1974	F
		B	T 850	850	1974	1975	R
FSB797	KAWASAKI	B	KE 125 A4 - A10	125	1976	1985	F
		B	KX 125 A3 - A7	125	1974	1980	F
		B	KDX 175 all models	175	1980	1982	F
		B	KE 175 B1 -B3	175	1976	1978	F/R
		B	KE 175 D1 - D5	175	1979	1983	F
		B	KL 250 A3 - A4	250	1980	1984	F
		B	KL 250 C1	250	1980	1984	F
		B	KLX 250	250	2000		F
FSB798	KAWASAKI	B	KX 80 B1 - B2 - D1 - D2	80	1979	1983	F/R
FSB799	KAWASAKI	B	KDX 250 B1	250	1979		F
		B	KL 250 A1 - A2	250	1978	1979	F
		B	KX 250 A all models	250	1974	1981	F
		B	KX 250 B2 - B3	250	1980	1981	F
		B	KX 420 A1 - A2	420	1980		F
	KAWASAKI 3 WHEELERS	A	KLT 200 All Models	200	1981	1984	R
		A	KLT 250 All Models	250	1982	2000	R
		A	KXT 250 TECATE	250	1984	2000	F
	KAWASAKI ATV	A	KLF 185 BAYOU A2 / A3 / A4	185	1986	1988	F
		A	KLF 220 BAYOU A Series	220	1988	2002	F
		A	KLF 250 BAYOU A Series	250	2003	2010	F
FSB800	KAWASAKI	B	S1 250 B	250	1975		F
		B	Z 250 B1 - B2	250	1980	1983	F
		B	Z 250 C1 - C2	250	1981	1983	F
		B	Z 250 G1 - G2	250	1981	1983	F
		B	Z 250 LTD	250	1983		F
FSB801	KAWASAKI	B	KX 80 E1	80	1983		F
FSB802	KAWASAKI	B	KX 60 A1 - A2 - B1/6	60	1985	1991	F/R
		B	KX 80 E1	80	1983		R
		B	KX 80 E2	80	1984	1986	R
		B	KX 80 H - K2	80	1987	1987	R
		B	KLX 110 R	110	2002		F
FSB803	APRILIA	B	ET 50	50	1984	1986	R
		B	ETX 50	50	1986		R
		B	TUAREG 50	50	1984	1986	R
		B	TUAREG 50	50	1986		R
	FANTIC	B	OASIS 50 .1 K.S.	50	1987		R
		B	OASIS 50 .1 RALLY	50	1986		R
		B	RAIDER 50	50	1981		R
		B	RAIDER 50 .1	50	1986		R
		B	TRAILMATIC 50 (FM. 283)	50	1983		F/R
		B	TRIAL 50 .1 (FM.268)	50	1986		R
		B	TRIAL 50 II mozzi conici	50	1983		F/R
		B	TRIAL 50 JUNIOR	50	1987		F
	MALAGUTI	B	RCX-W 50 ENDURO	50	1983		R
		B	SAHIB 50 ENDURO	50	1983		R
FSB804	BMW	B	R 65 650 LS	650	2000		R
FSB805	BMW	B	K 75 750	750	1984	1988	R
FSB806	BMW	B	R 50/5 500	500	1969	1975	F
		B	R 60/5 600	600	2000		F
		B	R 60/6 600	600	2000		F
		B	R 75/5 750	750	2000		F
FSB807	BULTACO	B	LOBITO 125	125			F/R
		B	PURSANG MK6 125	125			F
		B	PURSANG MK7/8 125	125			F
		B	PURSANG MK9 125	125			F/R
		B	SHERPA 125	125			F
		B	TRIAL 125	125			F/R
		B	SHERPA 150	150			F
		B	SHERPA 151	151			F
		B	PURSANG MK6 175	175			F
		B	PURSANG MK6 200	200			F
		B	PURSANG MK9 200	200			F/R

B = Bike
A = ATV
S = Snowmobile

B = Bike
A = ATV
S = Snowmobile



			CC	FROM	TO	FRONT / REAR	
...FSB807		B	LOBITO 250	250		F/R	
		B	PURSANG MK10 250	250		F	
		B	PURSANG MK11 250	250		F	
		B	PURSANG MK12 250	250		F	
		B	PURSANG MK6 250	250		F	
		B	PURSANG MK7/8 250	250		F	
		B	SHERPA 250 A	250		F/R	
		B	SHERPA 250 I	250		F/R	
		B	SHERPA 250 N	250		F/R	
		B	TRIAL 250	250		F/R	
		B	PURSANG MK6 350	350		F	
		B	SHERPA 350 A	350		F/R	
		B	SHERPA 350 I	350		F/R	
		B	SHERPA 350 N	350		F/R	
		B	TRIAL 350	350		F/R	
		B	PURSANG MK7/8 360	360		F	
FSB808	DERBI	B	all models 50	50	1983	F/R	
		B	all models 50 (disc brake)	50	1983	R	
FSB809	DERBI	B	all models 50	50	2000	F/R	
FSB810	DERBI	B	FDS 50	50	1986	R	
		B	TT8 75	75	2000	F/R	
		B	TT8 125	125	2000	F/R	
FSB811	DERBI	B	all models 50	50	1988	F/R	
FSB812	HUSQVARNA	B	CR 125	125	1983	1984	F
		B	CR 125	125	1985	1995	R
		B	RC 125	125	1983	1984	F
		B	WR 125	125	1986		R
		B	WR 125	125	1987	1990	R
		B	WRE 125	125	1988		R
		B	CR 240	240	1981	1982	F
		B	CR 240	240	1987		R
		B	RC 240	240	1981	1982	F
		B	WR 240	240	1985		R
		B	WR 240	240	1986		R
		B	WR 240	240	1987	1990	R
		B	WRK 240	240	1988		R
		B	CR 250	250	1981	1982	F
		B	CR 250	250	1985	1995	R
		B	RC 250	250	1981	1982	F
		B	WR 250	250	1987	1989	R
		B	XC 250	250	1987		R
		B	WRK 260	260	1988		R
		B	WR 400	400	1985		R
		B	WR 400	400	1986		R
		B	WR 400	400	1987		R
		B	AE 430	430	1988		R
		B	AUTO 430	430	1987		R
		B	CR 430	430	1981	1982	F
		B	CR 430	430	1987		R
		B	OR 430	430	1981	1982	F
		B	RC 430	430	1981	1982	F
		B	WR 430	430	1981	1982	F
		B	WR AE 430	430	1987		R
		B	WRE 430	430	1981	1982	F
		B	XC 430	430	1981	1982	F
		B	XC 430	430	1987		R
		B	CR 500	500	1985		R
		B	XC 500	500	1987		R
		B	510	510	1986		R
B	TC 510	510	1988		R		
B	TE - AC - LC 510	510	1987		R		
FSB813	HUSQVARNA	B	WR 125	125	1983	1985	F
		B	WRE 125	125	1983	1984	F
		B	CR 240	240	1983	1986	F
		B	RC 240	240	1983		F
		B	WR 240	240	1983	1984	F
		B	WR 240	240	1985		F
		B	WRE 240	240	1983		F
		B	CR 250	250	1983	1984	F
		B	RC 250	250	1983		F
		B	WR 250	250	1983	1986	F
		B	WRE 250	250	1983		F
		B	WR 400	400	1985		F
		B	CR 490	490	1983		F
		B	AE 500	500	1984		F
		B	TC 500	500	1984		F
		B	TE 510	510	1984	1986	F
		B	TX 510	510	1984		F



			CC	FROM	TO	FRONT / REAR			
FSB814	HONDA	B	CR 480 RC	480	1982		R		
		B	HOBBIY-DUO-PRO 50 COMET 40P-KJ	50			F/R		
		B	125	125	2000		F/R		
		B	CROSS 125	125	1980	1983	F/R		
		B	LC - GS 125 GS	125	1983		R		
		B	175	175	1972	1978	F/R		
		B	175	175	1979		F		
		B	CROSS 250	250	2000		F/R		
		FSB815	KTM	B	175	175	1979		R
				B	CROSS 250	250	1982		F/R
B	CROSS 250			250	1983		R		
B	GS 350 ENDURO SPORT			350	1983		R		
B	GS 390 ENDURO SPORT			390	1983		R		
B	MX 495 MC LELEU			495	1982	1983	R		
B	500 CROSS			500	2000		R		
B	GS 500 K4 ENDURO			500	1983		R		
FSB816	ATK (USA)			B	all models 1984-85		1984	1985	R
				B	WRE 125	125	1989	1994	R
	HUSQVARNA	B	WRK 600	600	1989		R		
		B	MX 80 GR - SUPER MINI	80	1986		R		
		B	BAJA 125	125	1986		R		
		B	GS 125 ENDURO SPORT	125	1984	1985	F/R		
		B	LC - GS 125 GS	125	1983		F		
		B	MX 125 CROSS	125	1984		F/R		
		B	MX 125 CROSS	125	1985		R		
		B	BAJA 250	250	1986		R		
		B	GS 250 ENDURO SPORT	250	1983	1985	F/R		
		B	MX 250 CROSS	250	1984		F/R		
		B	MX 250 CROSS	250	1985		R		
		B	GS 300 XC ENDURO SPORT	300	1985		F/R		
		B	COUNTRY 350 CROSS E	350	1985		R		
		B	GS 420 ENDURO SPORT	420	1984		F/R		
B	MX 495 CROSS	495	1984		F/R				
B	MX 500 CROSS	500	1983	1984	F/R				
B	MX 500 CROSS	500	1985		R				
B	GS 600 ENDURO SPORT	600	1984		F/R				
B	GS 600 ENDURO SPORT	600	1985		R				
B	XC-XCE 600 CROSS COUNTRY-BAJA	600	1985		R				
FSB817	KTM	B	CROSS 250	250	1983		F		
		B	500 CROSS	500	2000		F		
FSB818	BENELLI	B	125	125	1976		R		
		B	125 2 C	125	1976	1978	R		
		B	125 2C Dual brakes	125	2000		R		
		B	125 2T - 2 CSE	125	1976	1978	R		
		B	250 4	250	1976		R		
		B	250 C	250	1976	1978	R		
		B	250 TS	250	1976	1978	R		
		B	254	254	1979		R		
		B	350 4 CIL.	350	1978		R		
		B	500 QUATTRO	500	1976		R		
		B	250	250	2000		R		
		B	350	350	2000		R		
FSB819	MAICO	B	450	450	2000		R		
		B	2C 125 4T	125	1979		R		
		B	STORNELLO 160 (5 speed)	160	1971	1974	F		
		B	TS 250	250	1974	1975	R		
		B	254	254	1977	1981	R		
		B	GTS 350	350	1974	1975	R		
		B	GSE 250 ALPHA-E	250	2000		R		
		B	LINK 250	250	2000		R		
		B	MX 250 TWIN	250	2000		R		
		B	400	400	2000		R		
FSB820	MONTESA	B	MX 490 LINK	490	2000		R		
		B	MX 490 TWIN	490	2000		R		
		B	MKS 50	50	1987		R		
		B	COTA 123	123	1983		R		
		B	COTA 123	123	2000		F/R		
		B	COTA 242	242	1983		R		
		B	COTA 290	290	2000		F/R		
		B	COTA 304	304	1987		R		
		B	TRIAL 330	330	1985		R		
		B	T 348	348	2000		F/R		
MONTESA (HONDA)	B	COTA 349	349	1983		R			
	B	COTA 349	349	2000		F/R			
	B	MH 123	123	1983		R			
	B	MH 200	200	1983		R			
	B	MH 349	349	1983		R			
	PUCH	B	CONDOR 50	50			R		



			CC	FROM	TO	FRONT / REAR	
...FSB820		B	MONZA 50	50	1983	F/R	
		B	COBRA 75	75	1985	R	
		B	COBRA 80	80	1984	R	
FSB821	MONTESA	B	COTA 123	123	1983	F	
		B	COTA 242	242	1983	F	
		B	TRIAL 330	330	1985	F	
	MONTESA (HONDA)	B	COTA 349	349	1983	F	
		B	MH 123	123	1983	F	
		B	MH 200	200	1983	F	
		B	MH 349	349	1983	F	
FSB823	MZ	B	SAXON 125	125	1993	1997	R
		B	TS 125	125			F
		B	SAXON 150	150	1995		R
		B	TS 150	150			F
		B	ETZ 250	250			F/R
		B	ETZ 250	250	1982	1992	R
		B	TS 250	250			F/R
		B	FUN 251	251	1995	1996	R
		B	ETZ 301	301	1990	1992	R
		B	SAXON 500	500	1993	1998	R
FSB824	MZ	B	ETZ 125	125			F/R
		B	ETZ 125	125	1982	1992	R
		B	TS 125	125			R
		B	ETZ 150	150			F/R
		B	ETZ 150	150	1982	1992	R
		B	TS 150	150			R
FSB825	OSSA	B	CROSS 125	125	1974		F
		B	CROSS 250	250	1974		F
		B	FUEGO 250	250	1974		F
		B	TRIAL 250 (all models)	250	2000		F/R
		B	TRIAL 350 (all models)	350	2000		F/R
FSB826	CAGIVA	B	DG 350 TRIAL	350	1983		F/R
		B	TRIAL 250 (all models)	250	1981		F
	OSSA	B	TRIAL 350 (all models)	350	1981		F
		B	BORRASCA 50	50			F/R
FSB827	FB MINARELLI	B	MINICROSS 50	50			F/R
		B	MR 80	80			R
FSB828	OSSA	B	TRIAL 250 (all models)	250	1981		R
		B	TRIAL 350 (all models)	350	1981		R
		B	MONZA 50	50	1984		R
		B	MONZA 50	50	1985		R
	PUC	B	MONZA 50 50 (alloy wheels 160x17)	50	1984		F/R
		B	MR 80	80			R
		B	CROSS 125	125	1974		R
		B	CROSS 250	250	1974		R
FSB829	GILERA	B	FUEGO 250	250	1974		R
		B	BULLIT 50	50	1990		R
FSB831	PUC	B	adaptable to 95x22 front and rear drums				F/R
FSB832	FB MINARELLI	B	MARATHON 50	50	1974		F/R
		B	MARATHON RV 50	50	1974		F/R
FSB833	APRILIA	B	RX 125 (Rimoldi wheels)	125	1984	1985	R
		B	RX 250	250	1983		R
	CAGIVA	B	WMX 125 (mozzi Rimoldi)	125	1984		F
		B	RP 80 CROSS	80	1983		F/R
	TRE SOLDI	B	80	80			F/R
		B	125	125			F/R
FSB834	APRILIA	B	TUAREG 125 RALLY (Mozzi Rimoldi)	125	1986		R
		B	TUAREG 250 RALLY (Mozzi Rimoldi)	250	1986		R
	GILERA	B	R1 50	50	1990	1998	R
		B	HX 250 LC	250	1983		R
		B	RX 250 ARIZONA RALLY	250	1986		R
	KRAMER	B	80	80			F/R
		B	80	80			F/R
FSB835	ZUNDAPP	B	KS 50 SPORT	50			R
		B	KS 50 SUPER SPORT	50			R
		B	KS 100	100			R
FSB836	ZUNDAPP	B	SUPER COMBINETTE 429	429			F/R
		B	SUPER COMBINETTE 433	433			F/R
		B	FALCONETTE 435	435			F/R
		B	KS 50 500	500			F/R
		B	KS 75 500	500			F/R
FSB837	BENELLI	B	S 50	50	1981	1987	R
		B	S 50 (tutti i modelli)	50	1987		R
		B	S 50 LUSO	50	1981	1987	R
	ITALJET	B	T 50	50			F/R
		B	T 100	100			F/R
		B	RANGER 125	125	1985		F/R
		B	SKIPPER 125	125	1985		F/R



			CC	FROM	TO	FRONT / REAR			
		B	T 125	125			F/R		
		B	T 250	250			F/R		
		B	T 250 PIUMA	250	1985		F/R		
		B	BOSS 350 4 T	350			F/R		
		B	BOSS 350 ENDURO	350			R		
		B	CUSTOM 350	350	1985		F		
		B	CX 350	350	1985		R		
		B	EXPLORER 350	350	1985		F/R		
		B	H&H 350 2 T	350			F/R		
		B	SCOTT 350 4 T	350			F/R		
		B	T 350 PIUMA	350	1985		F/R		
		FSB838	GILERA	B	ARIZONA 125	125	1983		R
				B	ARIZONA HAWK 125	125	1986		R
B	ER 125			125	1987		R		
B	RC 125 RALLY			125	1987		R		
B	RRT 125 NEBRASKA			125	1987		R		
B	RRT 125 NEBRASKA (tubeless tires)			125	1987	2000	R		
B	RTX 125			125			R		
B	RX 125			125	1984		R		
B	ARIZONA HAWK 200			200	1986		R		
B	ER 200			200	1987		R		
B	RTX 200			200	1986		R		
FSB839	INNOCENTI	B	LAMBRETTA 175 LI	175			F/R		
		B	LAMBRETTA 175 LI	175			F/R		
		B	LAMBRETTA 175 LI II	175			R		
		B	LAMBRETTA J 50	50			F/R		
		FSB840	INNOCENTI	B	WMX 125 CROSS	125	1986		R
				B	WMX 125 CROSS	125	1987		R
				B	WMX 250 CROSS	250	1987		R
		FSB841	CAGIVA	B	LAMBRETTA J 100	100			F/R
				B	LAMBRETTA J 125	125			F/R
		FSB842	INNOCENTI	B	LAMBRETTA 125 DL	125			F/R
B	LAMBRETTA 150 DL			150			F/R		
B	LAMBRETTA 200 DL			200			F/R		
B	LAMBRETTA 200 DL (con kit anteriore x pastiglia)			200			R		
FSB843	CAGIVA	B	ALETTA 125 ELECTRA	125	2000		R		
		B	ELEFANT 125	125	2000		R		
		B	WSXT 125 ALETTA ROSSA	125	1983		R		
		GILERA	B	RALLY 50	50	1987	1990	R	
			B	RRT 125 NEBRASKA (tubeless tires)	125	1987	2000	R	
FSB844	CAGIVA	B	WMX 500	500	1984		R		
		B	ALETTA 125 ELECTRA	125	1984		R		
FSB845	CAGIVA	B	ELEFANT 125	125	1984		R		
		B	ELEFANT 125	125	1984		R		
FSB846	FANTIC	B	RSX 125	125	1981		F/R		
		B	TRIAL 125 7 DAYS (mozzi centrali)	125			R		
		GILERA	B	GIUBILEO 98	98			F	
			B	GIUBILEO 124	124			F	
			B	GSE 250 ALPHA-E	250	2000		F	
		MAICO	B	LINK 250	250	2000		F	
			B	MX 250 TWIN	250	2000		F	
			B	400	400	2000		F	
			B	MX 490 LINK	490	2000		F	
			B	MX 490 TWIN	490	2000		F	
			B	CROSS 50	50	1975	1976	F/R	
		MOTO GUZZI	B	CROSS 50	50	1976	1982	F/R	
B	NIBBIO 50		50	1975	1976	F/R			
MOTO MORINI	B		KJ 125	125	1984		R		
	B		MONOCILINDRO 125	125	1979		R		
	B		SPORT 250	250	2000		R		
B	TURISMO 250		250	2000		R			
FSB847	CAGIVA	B	DAKAR 125	125	1985		R		
		B	ELEFANT 125	125	1985	1986	R		
		B	ELEFANT 125	125	1987		R		
		B	ELEFANT 200	200	1985		R		
		B	ELEFANT 200	200	1988		R		
		B	ELEFANT 200 A.E.	200	1986		R		
		B	T4 350 R - ER	350	1987		R		
B	T4 500 E - ER	500	1987		R				
FSB848	CAGIVA	B	ALA BLU 250	250	1983		R		
		B	ALA ROSSA 250	250	1983		R		
		B	SST 250	250	1979	1980	F		
		B	SST 250	250	1980		R		
		B	SST 250	250	2000		F		
		B	SX 250	250	1982		R		
		B	SX 250	250	2000		F/R		

B = Bike
A = ATV
S = Snowmobile

B = Bike
A = ATV
S = Snowmobile



			CC	FROM	TO	FRONT / REAR			
...FSB849		B ALA BLU 350	350	1983		R			
		B ALA ROSSA 350	350	1983		R			
		B ALA ROSSA 350	350	1988		R			
		B SST 350	350	1981		R			
		B SST 350	350	2000		F/R			
		B SX 350	350	1979	1982	F/R			
		B SX 350	350	2000		F/R			
FSB850	HUSQVARNA	B CR 125	125	1981	1982	F/R			
		B CR 125	125	1983	1984	R			
		B RC 125	125	1981	1982	F/R			
		B RC 125	125	1983	1984	R			
		B WR 125	125	1983	1985	R			
		B WRE 125	125	1983	1984	R			
		B CR 240	240	1981	1982	R			
		B CR 240	240	1983	1986	R			
		B RC 240	240	1981	1982	R			
		B RC 240	240	1983		R			
		B WR 240	240	1983	1984	R			
		B WRE 240	240	1983		R			
		B CR 250	250	1981	1982	R			
		B CR 250	250	1983	1984	R			
		B RC 250	250	1981	1982	R			
		B RC 250	250	1983		R			
		B WR 250	250	1983	1986	R			
		B WRE 250	250	1983		R			
		B RC 390	390	1978	1980	F/R			
		B CR 430	430	1981	1982	R			
		B OR 430	430	1981	1982	R			
		B RC 430	430	1981	1982	R			
		B WR 430	430	1981	1982	R			
		B WRE 430	430	1981	1982	R			
		B XC 430	430	1981	1982	R			
		B CR 490	490	1983		R			
		B AE 500	500	1984		R			
		B TC 500	500	1984		R			
		B TE 510	510	1984	1986	R			
		B TX 510	510	1984		R			
		FSB851	MONTESA	B old models	1500			F	
		FSB852	BETA	B CR - RV 250	250	1981		R	
				B CR - RV 350	350	1980		R	
				B GS - RV 350	350	1980		R	
				B GS - RV 500	500	1984		R	
				B KANGURO 350	350	1984		R	
			MOTO MORINI	B KANGURO 350	350	2000		R	
				B XE 350	350	1985		R	
				B CAMEL 500	500	2000		R	
				PUCH	B CROSS 347	347	2000		R
		FSB853	CAGIVA	B ALA VERDE 250	250	1983		R	
				B SSS 250	250	1982		R	
				B ST 250	250	1982		R	
				B ALA AZZURRA 350	350	1983		R	
B ALA VERDE 350	350			1983		R			
B SX 350	350			1982		R			
B GT 350	350			1976	1981	R			
B SPORT 350	350			1981		R			
FSB854	CZ			B JAWA 125	125	1975		R	
				B JAWA 125	125	2000		F/R	
		B JAWA 175	175	1975		R			
		B JAWA 175	175	2000		F/R			
		B JAWA 250	250	1975		R			
		B JAWA 250	250	2000		F/R			
		B JAWA 350	350	1975		R			
		B JAWA 350	350	2000		F/R			
		FSB855	CZ	B JAWA 125	125	1975		F	
				B JAWA 175	175	1975		F	
B JAWA 250	250			1975		F			
B JAWA 350	350			1975		F			
FSB856	BENELLI	B S 125 SCOOTER	125			F/R			
FSB857	BULTACO	B PURSANG MK7/8 125	125			R			
		B SHERPA 125	125			R			
		B SHERPA 150	150			R			
		B SHERPA 151	151			R			
		B FRONTERA 250 all models	250			F/R			
		B PURSANG MK10 250	250			R			
		B PURSANG MK11 250	250			R			
		B PURSANG MK12 250	250			R			
		B PURSANG MK7/8 250	250			R			
		B PURSANG MK9 250	250			F/R			



			CC	FROM	TO	FRONT / REAR		
		B FRONTERA 350 all models	350			F/R		
		B PURSANG MK7/8 360	360			R		
		B PURSANG MK10 370	370			F/R		
		B PURSANG MK11 370	370			F/R		
		B PURSANG MK12 370	370			F/R		
		B PURSANG MK9 370	370			F/R		
		B RC 248	248			F/R		
		MONTESA						
		FSB858	CAGIVA	B SST 125 LOW RIDER	125	1983		R
				B SST 125 spoke wheel	125			R
B XSST 125	125			1981		R		
B XSST 125	125			2000		R		
B SST 250	250			1979	1980	R		
FSB859	CAGIVA	B SST 250	250	2000		R		
FSB860	CASAL	B 50 CICLOMOTORI (diam.110)	50			F/R		
FSB861	CASAL	B 50 CICLOMOTORI (diam.140)	50			F/R		
FSB862	ITALJET	B BAZOOKA 1 50	50	1991		R		
		B BAZOOKA 2 50	50	1992	1997	R		
		B PISTA 2 50	50	1992	1996	R		
		B REPORTER 50	50	1990	1993	R		
		B SCOOP 50	50	1993		R		
		B YANKEE 8 50	50	1994		R		
FSB863	BMW	B R 100 1000 R	1000	1991	1995	R		
		B R 100 1000 R ROADSTER - MYSTIC	1000	1993	1996	R		
		B R 100 1000 RT	1000	1991	1995	R		
FSB865	MOBYLETTE	B Mopeds 50	50			F		
FSB866	MOBYLETTE	B Mopeds 50	50			R		
FSB867	DERBI	B AVENTURA 50	50	1996		R		
		B BOX 50	50	1994		F/R		
		B COPPA 50 FDT	50	1986		R		
		B COPPA 50 FDX	50	1987		R		
		B DS 50 WORLD CHAMPION	50	1988		R		
		B FD 50 JUMBO	50	1985		R		
		B FENIX 50	50	1994		R		
		B FURAX 50	50	1996		R		
		B FY 50 JUMBO	50	1984		R		
		B URBAN 50	50	1994		F/R		
		B VAMOS 50 R	50	1996		R		
		B VARIANT 50 SPORT R	50	1994		R		
		B TT8 75	75	1984		R		
B TT8 75 (camme 10mm)	75	2000		F/R				
B YUMBO 75 RD-2 FDS	75	1987		R				
B TT8 125	125	1984		F/R				
B TT8 125 (camme 10 mm)	125	2000		F/R				
FSB869	PIAGGIO	B VESPA 150 SPRINT VELOCE	150			F		
		B VESPA 160 GS	160			F		
		B VESPA 180 SS	180			F		
		B VESPA 200 RALLY	200			F		
FSB870	GARELLI	B TEAM MATIC 50	50	1988		F		
FSB871	MBK	B EVASION 50 (ruote in lega oblique)	50			F/R		
		B HARDROCK 50 (ruote in lega oblique)	50			F/R		
		B MAGNUM 50 (ruote in lega oblique)	50			F/R		
		B PASSION 50 (ruote in lega oblique)	50			F/R		
FSB872	PIAGGIO (motocarri)	B APE CAR 220 P2/P3	220	1978	1985	F/R		
		B APE TM 220	220	2009	2010	F/R		
		B APE TM 220 P 602	220	1982	1983	F/R		
		B APE TM 220 P 703 / P 703 V / FL2	220	1984	2002	F/R		
		B APE MP 420 601 CLASSIC	420	2006	2007	F/R		
		B APE TM 420 DIESEL LCS	420	2005	2010	F/R		
		B APE TM 420 P703 / P703 V DIESEL	420	1987	2004	F/R		
FSB873	PIAGGIO	B VESPA 125	125	1963	1972	R		
		B VESPA 150	150	1963	1972	R		
FSB874	PIAGGIO	B VESPA 50 HP	50	1992	1996	F/R		
		B VESPA 50 PK SPECIAL - XL	50	1986	1989	R		
		B VESPA 50 PK XL 2	50			F/R		
		B VESPA 50 PK XL 2 AUTOMATICA	50			F		
		B VESPA 50 V FL 2	50	1990	1996	F/R		
		B VESPA 125 PK AUTOMATICA	125	1984		F		
		B VESPA 125 PK SPECIAL - XL	125	1986		F/R		
		B VESPA 125 PK XL 2	125			F/R		
		B VESPA 125 PX	125	1978	1982	F/R		
		B VESPA 125 PX	125	1998	2013	R		
		B VESPA 125 PX ARCOBALENO	125	1981	1997	F/R		
		B VESPA 125 V FL2	125	1991	1997	F/R		
		B VESPA 150 PX	150	1978	1982	F/R		
B VESPA 150 PX	150	1998		R				
B VESPA 150 PX ARCOBALENO	150	1983	1990	F/R				
B VESPA 150 SPRINT VELOCE	150			R				
B VESPA 160 GS	160			R				



			CC	FROM	TO	FRONT / REAR
...FSB874	PIAGGIO (Spain)	B VESPA 180 SS	180			R
		B VESPA 200 PE	200	1983		F/R
		B VESPA 200 PX	200	1998		R
		B VESPA 200 PX ARCOBALENO	200	1983		F/R
		B VESPA 200 PX E	200	1978		F/R
		B VESPA 200 RALLY	200			R
		B VESPA 80	80			R
		B VESPA 80 PX	80			R
	B VESPA 80 SPECIAL	80			R	
	B VESPA 150 PX	150			F/R	
FSB875	PIAGGIO	B VESPA 125	125	1951	1962	R
	B VESPA 150	150	1951	1962	R	
FSB876	APRILIA	B ETX 125	125	1984		R
	B RED ROSE 125	125	1989	1989	R	
	B RED ROSE 125	125	1990		R	
	B ST 125	125	1987		R	
	B STX 125	125	1984		R	
	B STX 125	125	1986		R	
	BETA	B 125 SCRAMBLER	125	1982		R
	B CUSTOM 125	125	1982		R	
	B CUSTOM 250	250	1982		R	
	DUCATI	B 250 DESMO	250	2000		R
	B 350 DESMO	350	2000		R	
	FANTIC	B SPORT 125	125	2000		R
	B SPORT 125 MK II	125	2000		R	
	B STRADA 125 (FM. 4000-A)	125	1983		R	
	GARELLI	B TSR 125	125			R
	B TSR 125 SELF MIX	125			R	
	GILERA	B RV 125	125	1983		R
	B RV 125 ES	125	1987		R	
	B TG1 125	125			R	
	B TG2 125	125			R	
	B TG3 125	125			R	
	B T4 200	200			R	
	B T4C 200	200			R	
	B T4S 200	200			R	
	LAVERDA	B 125	125			R
	B 125	125	2000		R	
	B 125 (Brembo caliper)	125	1982		R	
	B 125 (Grimeca caliper)	125	1982		R	
	B LB 125 CUSTOM	125			R	
	B LB 125 STRADA	125			R	
	B LB 125 UNO	125			R	
	MOTO MORINI	B BICILINDRO 250	250	1979		R
	B MONOCILINDRO 250	250	2000		R	
	B GT 350	350	1979		R	
	B GT 350 TURISMO	350	1980		R	
	B SPORT 350	350	1980		R	
	PUCH	B F5 250 REGOLARITA'	250	1983		R
	B HFE 250	250	1986	1986	R	
	B MC 250 VHS W	250	1983		R	
	B FS 347 REGOLARITA'	347	2000		R	
	B MC 496	496	2000		R	
FSB877	BENELLI	B CITY BIKE 50	50			F/R
	B S 50	50	1981	1987	F	
	B S 50 (tutti i modelli)	50	1987		F	
	B S 50 LUSO	50	1981	1987	F	
	B SCOOTY 50	50			F/R	
	FANTIC	B ISSIMO 50	50	1984		F/R
	B ISSIMO 50 (alloy wheels)	50			F/R	
	GARELLI	B BASIC 50 (alloy wheel fondermonte)	50			F/R
	B NOI 50 (alloy wheels fondermonte)	50			F/R	
	B VIP 50 alloy wheels (fondermonte)	50			F/R	
	PUCH	B MAXI 80 EXECUTIVE	80	1988		R
FSB878	PIAGGIO (motocarr)	B APE CAR 420 DIESEL	420	1986	1996	F/R
	B APE CAR 420 MAX DIESEL 9 q.li	420	1986	1996	F/R	
FSB879	PIAGGIO	B VESPA 150 SUPER	150			R
FSB880	MOTO GUZZI	B V 7 700	700	1967	1976	F
FSB881	MOTO GUZZI	B V 7 700	700	1967	1976	R
	B V 7 700 SPECIAL	700	1969	1971	R	
FSB882	PIAGGIO (motocarr)	B APE MP 220 P 501 (II SERIE)	220	1978	1996	F/R
	B APE MP 220 P 601 (I SERIE)	220	1978		F/R	
	B APE MP 220 P 601 (I SERIE) senza mozzo	220	1978		F/R	
	B APE MP 220 P 601 (II SERIE)	220	1978	1996	F/R	
FSB883	PGO	B BIG MAX 50	50	1995	2004	R
	B Big Max 50 (Front wave disc)	50	2007	2009	R	
	B Big Max 50 Naked	50	2007	2009	R	
	B BIG MAX 50 S	50	2003	2004	R	



			CC	FROM	TO	FRONT / REAR
		B COMET 50	50	1991		R
		B EPS	50	1997		R
		B G-Max 50	50	2005	2007	R
		B G-Max 50 (Wave disc)	50	2008	2012	R
		B G-Max 50 Naked (Wave disc)	50	2009		R
		B GALAXI 50	50	1992		R
		B Liger 50 (2T)	50	2008	2012	R
		B Mega 50	50	1994		R
		B PMX 50	50	2000	2004	R
		B PS 50	50	1993		R
		B Rodo Show 50	50	2000	2009	R
		B SUPER FIFTY 50 (BRASIL)	50			R
		B Tomado 50	50	1997		R
		B GALAXI 90	90	1992		R
		B PMX 110	110	2000	2004	R
		B Tomado 125	125	1997		R
	SINNIS	B QM 50 10A (B) Hawk	50	2008	2010	R
		B QM 50 T-10R Eagle 50	50	2010	2012	R
	SUZUKI	B TR 50 STREET MAGIC	50	1998	2000	R
		B ADDRESS 100 V	100	1992	1996	R
		B UG 110 HOKUTO	110	2000	2004	R
	TGB	B 101R (50cc)	50	2004	2009	R
		B 202 Classic (50cc)	50	2003		R
		B 302Sport (50cc)	50	2003	2009	R
		B 303Revolution (50cc)	50	2002	2003	R
		B 303RHawk/Laser (50cc)	50	2004		R
		B 309RS 50	50	2002	2003	R
		B AkrosTec -50	50	2003	2004	R
		B Bullet 2 50 (2T)	50	2011	2012	R
		B City50cc (2T)	50	2007	2008	R
		B City50cc (4T)	50	2007	2011	R
		B Delivery/Express50 (From F/E No 609100)	50	2006	2012	R
		B Delivery50 Scooter (Up to E/F no 609099)	50	2004	2006	R
		B F409Cruise 50/125	50	2002	2005	R
		B HighWheel 50	50	2002	2003	R
		B TapoRR 50 (2T)	50	2010	2012	R
		B TapoRS 50 (2T)	50	2010	2012	R
		B Trigger50	50	2002	2003	R
		B XRace 50 (2T)	50	2011	2012	R
		B 303Revolution (125cc)	125	2002	2003	R
		B 304Sport (125cc)	125	2003	2009	R
		B F409Cruise 125	125	2002	2005	R
FSB884	PIAGGIO (motocarr)	B APE 150 C4	150			R
	B APE 175 PENTARO'	175				R
FSB885	PIAGGIO	B VESPA 50	50			R
FSB886	PIAGGIO (motocarr)	B APE 50 EURO 2	50	2003	2010	R
	B APE 50 FL/FL2	50	1989	1995	R	
	B APE 50 FL3 EUROPA	50	1996	1999	R	
	B APE 50 P	50	1980	1985	R	
	B APE 50 RST MIX	50	1999	2005	R	
	B APE 50 TM P	50	1985	1989	R	
FSB887	FANTIC	B TRIAL 50 JUNIOR	50	1987		R
	PIAGGIO	B VESPA 50 PK XL 2 AUTOMATICA	50			R
	B VESPA 125 PK AUTOMATICA	125	1984		R	
FSB888	PIAGGIO (moped)	B SUPERBRAVO 50 3 Marce	50	1987		R
FSB889	GILERA	B CB 1 50	50			R
	B CBA 50	50			R	
	B CBA 50	50	1986		R	
	B ECO 50	50			R	
	B TREND 50	50	1989	1992	R	
	ITALJET	B SHOPPING 50	50	1990		R
	PIAGGIO (moped)	B BOSS 50	50	1988		R
	B BOXER 50	50			R	
	B BRAVO 50	50			R	
	B BRAVO 50 (alloy wheels 90mm hub)	50	1987		R	
	B BRAVO 50 (alloy wheels)	50	1987		R	
	B CIAO 50	50			R	
	B CIAO 50 (alloy wheels)	50	1987		R	
	B CIAO 50 MIX	50	1997		R	
	B GRILLO 50	50	1989		R	
	B SI 50	50			R	
	B SI 50 (alloy wheels)	50	1980		R	
	B SI 50 MIX	50	1997		R	
	B SUPER BRAVO 50	50	1985		R	
FSB890	PIAGGIO	B VESPA 50	50			F
	B VESPA 50 PK SPECIAL - XL	50	1986	1989	F	
	B VESPA 50 SPECIAL	50			F	
	B VESPA 90 PRIMAVERA	90			F	

B = Bike
A = ATV
S = Snowmobile

B = Bike
A = ATV
S = Snowmobile



			CC	FROM	TO	FRONT / REAR	
...FSB890		B	VESPA 125	125	1951	1962	F
		B	VESPA 125	125	1963	1972	F
		B	VESPA 125 ET3	125			F
		B	VESPA 125 PRIMAVERA	125	1967	1983	F
		B	VESPA 150	150	1951	1962	F
		B	VESPA 150	150	1963	1972	F
		B	VESPA 150 SUPER	150			F
	PIAGGIO (motocarri)	B	APE 50 EURO 2	50	2003	2010	F
		B	APE 50 FL/FL2	50	1989	1995	F
		B	APE 50 FL3 EUROPA	50	1996	1999	F
		B	APE 50 P	50	1980	1985	F
		B	APE 50 RST MIX	50	1999	2005	F
		B	APE 50 TM P	50	1985	1989	F
		B	APE 150 C 1/2/3	150			F
		B	APE 150 C4	150			F
	PIAGGIO (Spain)	B	APE 175 PENTARO'	175			F
		B	VESPA 80	80			F
		B	VESPA 80 PX	80			F
		B	VESPA 80 SPECIAL	80			F
FSB891	PIAGGIO	B	VESPA 50 SPECIAL	50			R
		B	VESPA 90 PRIMAVERA	90			R
		B	VESPA 125 ET3	125			R
		B	VESPA 125 PRIMAVERA	125	1967	1983	R
FSB892	PIAGGIO	B	COSA 125	125	1989	1991	R
		B	COSA 2 125	125	1992	1997	R
		B	COSA 150	150	1989	1991	R
		B	COSA 2 150	150	1992	1997	R
		B	COSA 2 200	200	1992		R
		B	COSA 200	200	1989		R
FSB893	PIAGGIO	B	COSA 125	125	1989	1991	F
		B	COSA 2 125	125	1992	1997	F
		B	COSA 150	150	1989	1991	F
		B	COSA 2 150	150	1992	1997	F
		B	COSA 2 200	200	1992		F
		B	COSA 200	200	1989		F
FSB894	PIAGGIO	B	SFERA 50	50	1991	1994	F
		B	SFERA 80	80	1994	1996	F
FSB895	GILERA	B	EASY MOVING 50	50	1995	1996	R
		B	NRG 50	50	1995	2003	R
		B	STORM 50	50	1994	1995	R
		B	TYPHOON 50	50	1993	1995	R
		B	TYPHOON 80	80	1995		R
	PIAGGIO	B	FREE 50 (alloy wheels)	50	1996	2000	R
		B	NRG 50	50	1994	1995	R
		B	NTT 50	50	2000		R
		B	QUARTZ 50	50	1992	1996	R
		B	SFERA 50	50	1991	1994	R
		B	ZIP 50	50	1992	1996	R
		B	SFERA 80	80	1994	1996	R
		B	SKIPPER 80	80	1994	1996	R
FSB896	PIAGGIO	B	SCATTO 50	50	1990	1993	F/R
		B	ZUM 50	50	1991	1996	F/R
FSB897	BETA	B	MX6 50 EXPORT	50	1977		F/R
		B	TR 50	50	1980	1986	R
		B	TR 80	80	1980		R
		B	CR 125	125	2000		F
		B	RC 125	125	1976		F
	FANTIC	B	CABALLERO 50 REG. SUPER 6 M	50	2000		F/R
		B	ENDURO 50	50	1983		F/R
		B	R 6 50 SUPER	50			F/R
		B	TRIAL 50 I SERIE (mozzi centrali)	50	2000		R
		B	TRIAL 80	80	2000		F/R
		B	TRIAL 125 7 DAYS(mozzi centrali)	125			F
		B	TRIAL 125 I SERIE. (TEL. grig. m. cen)	125			R
		B	TRIAL 125 II SERIE (tel.rosso m.cen)	125			F/R
	GILERA	B	GIUBILEO 98	98			R
		B	GIUBILEO 124	124			R
		B	ARCORE 125	125			R
	MALAGUTI	B	MDX GOLD 50 ENDURO	50	1987		R
		B	MEX 50 ENDURO	50	1985		R
		B	MEX 50 ENDURO	50	1986		R
		B	MGX 50 ENDURO	50	1987		F/R
		B	MLX 50 ENDURO	50	1987		R
		B	RGT 50 SPORT	50	1985		R
	MOTO GUZZI	B	TURISMO 125	125	1974	1981	R
		B	TUTTOTERRENO 125	125	1974	1981	F/R
FSB898	ACCOSSATO	B	50 CROSS	50	2000		F/R
		B	50 ENDURO	50	2000		F/R



			CC	FROM	TO	FRONT / REAR	
		B	CR 50 CROSS COMPETIZIONE	50	1984		F/R
		B	CR 50 ENDURO	50	1984		F/R
		B	CR 50 ENDURO COMPETIZIONE	50	1984		F/R
		B	80 CROSS	80	2000		F/R
		B	CE 80 CROSS H 20	80	1984		R
		B	CE 80 ENDURO H 20	80	1984		R
		B	CE 125 CROSS H 20	125	1984		R
		B	CE 125 ENDURO H 20	125	1984		R
	ANCILLOTTI	B	PS 80 MX	80	1983		F/R
		B	PST 125 MX	125	1983		F/R
		B	PSV 250 MX	250	1983		F
	APRILIA	B	MX 50	50	2000		F/R
		B	RC 50 SPECIAL	50	2000		F/R
		B	MX 125	125	1983		F
		B	RX 125	125	2000		F
		B	RX 125 (Rimoldi wheels)	125	1984	1985	F
		B	TX 125	125	1985		F/R
		B	TX 125 M	125	1986		R
		B	TX 240	240	1985		F/R
		B	TX 300	300	1985		F/R
		B	TX 300	300	1986		R
		B	TX 300 M	300	1986		R
		B	TX 311 M	312	1987		R
		B	TRIAL 320	320	1981		F/R
	ASPES	B	CS 75 NAVAHO	50	1967	1982	F
		B	CM1 80	80	1967	1982	F/R
		B	HOP1 125	125	1972	1982	F
		B	JUMA 125	125	1975	1979	F
	BETA	B	MX6 50	50	1982		F/R
		B	TR 50	50	1987	1988	F/R
		B	TR 50 (SPAIN)	50	1989		R
		B	RX 125	125	1983		R
		B	TR 125	125	1980	1985	F/R
		B	TR 32 125	125	1986		R
		B	TR 33 125	125	1987		R
		B	TR 240	240	1980	1983	F/R
		B	TR 32 240	240	1984	1985	F/R
		B	TR 32 240 (mozzo ant autocentrante)	240	1984	1985	R
		B	TR 33 240	240	1986	1988	R
		B	TREKKING 240	240	1987		F/R
	CAGIVA	B	SXT 125	125	1982		R
		B	WMX 125	125	2000		F/R
		B	WMX 125 (mozzi Rimoldi)	125	1984		R
		B	WMX 125 /3	125	2000		F/R
		B	WRX 125	125	1982		F/R
		B	WRX 125 /1	125	1983		F/R
		B	XRX 125	125	1980		F/R
		B	XWMX 125	125	1981		F/R
		B	WMX 250	250	2000		R
		B	WMX 250 /1	250	1983		R
		B	WRX 250	250	1983		R
		B	WRX 250	250	2000		F/R
	FANTIC	B	CASA 50	50	1975		F/R
		B	COMPETIZIONE 50	50	1975		F/R
		B	ENDURO 50 COMPETITION	50	2000		F/R
		B	ENDURO 50 REPLICA	50	1980		F/R
		B	FAST 50	50	1988		R
		B	GRAN TURISMO 50 FOUR (FM. 200)	50	2000		F/R
		B	REPLICA 50	50	2000		F/R
		B	STRADA 50 (FM. 240)	50	1982		R
		B	STRADA 50 SUPER SIX	50	1973		R
		B	CROSS 80 COMPETITION	80	1981		F
		B	CROSS 80 COMPETITION	80	2000		F/R
		B	ENDURO 80	80	1980		F
		B	CROSS 125 COMPETITION	125	1980		F
		B	ENDURO 125	125	1980		F
		B	REGOLARITA' 125	125	1981		F
		B	TRIAL 125 .1 Progress 1	125	1986	1986	R
		B	TRIAL 125 .1 Progress 2	125	1986		R
		B	TRIAL 125 7 DAYS mozzi conici	125			F/R
		B	TRIAL 125 III SERIE (mozzi conici)	125			F/R
		B	TRIAL 125 PROFESSIONAL (FM.237)	125	1983		F/R
		B	TRIAL 200 Progress 1	200	1986		R
		B	TRIAL 201 Progress2	201	1986		R
		B	TRIAL 240 SEVEN DAYS (FM. 289)	240	1986		R
		B	TRIAL 241 PROFESSIONAL	241	1986		R
		B	COACH 250	250	1991		R
		B	TRIAL 300 (FM. 403)	300	1984		R

3076

B = Bike
A = ATV
S = Snowmobile

Updated on 9th Oct 2015

B = Bike
A = ATV
S = Snowmobile



			CC	FROM	TO	FRONT / REAR
...FSB898		B	TRIAL 301 Progress 1 (FM. 266)	301	1985	R
		B	TRIAL 301 Progress 2	301	1986	R
		B	TRIAL 200 (FM. 350)	350	1978	F/R
		B	TRIAL 240 (FM. 450)	450	2000	F/R
	GARELLI	B	TRIAL 320	320	1986	R
		B	TRIAL 320	320	2000	F/R
	GILERA	B	E1 125	125		F
		B	E1 125 COMPETIZIONE	125		F
	MALANCA	B	MARK 125	125	1985	R
	PUCH	B	GS 80 V	80	1983	F/R
		B	FS 125 REGOLARITA'	125	1983	F/R
		B	F5 250	250	1984	F
	SWM	B	GS 50 RBS ENDURO	50	1983	F/R
		B	MC 50 CROSS	50	1983	F/R
		B	MK 50	50	1983	F/R
		B	GS 80 RBS ENDURO	80	1983	F/R
		B	MC 80 CROSS	80	1983	F/R
		B	MK 80	80	1983	F/R
		B	HW 125	125	2000	F/R
		B	MW 125 TRIAL	125	2000	F/R
		B	TL 125	125	2000	F/R
		B	HW 240	240	2000	F/R
		B	MW 240 TRIAL	240	2000	F/R
		B	TL 240	240	2000	F/R
		B	TRIAL 240	240	2000	F/R
		B	HW 320	320	2000	F/R
		B	MW 320 TRIAL	320	2000	F/R
		B	TL 320	320	2000	F/R
		B	TRIAL 320	320	2000	F/R
		B	HW 350	350	2000	F/R
		B	MW 350 TRIAL	350	2000	F/R
		B	TL 350	350	2000	F/R
FSB899	BETA	B	TR 32 240 (mozzo ant autocentrante)	240	1984	1985 F
	FANTIC	B	RAIDER 125	125	1983	R
		B	RAIDER 125 LC	125	1983	R
		B	TRIAL 240 SEVEN DAYS (FM. 289)	240	1986	F
		B	TRIAL 300 (FM. 403)	300	1984	F
FSB900	APRILIA	B	CLASSIC 50	50	1992	R
		B	RED ROSE 50	50	1992	R
		B	CLASSIC 80	80	1993	R
	FANTIC	B	OASIS 50 .1 KICK	50	1987	R
		B	TRIAL 50 .1 H2O	50	1987	R
FSB901	ANCILLOTTI	B	PSV 250 MX	250	1983	R
	APRILIA	B	MX 125	125	1983	R
		B	RX 125	125	2000	R
		B	MX 250	250	1983	R
		B	MX 250	250	2000	F/R
		B	RX 250	250	2000	F/R
	ASPES	B	CS 75 NAVAHO	50	1967	1982 R
		B	DUMA 125	125		R
		B	HOP1 125	125	1972	1982 R
		B	JUMA 125	125	1975	1979 R
	BETA	B	125 6V	125	1974	F/R
		B	125 SCRAMBLER	125	1982	F
		B	CR 125	125	1982	F/R
		B	CR 125	125	2000	R
		B	RC 125	125	1976	R
		B	RC 125 (liquid cooled)	125	1981	F/R
		B	RC 125 EXPORT ASPIRATO	125	1980	F/R
		B	CR - RV 250	250	1981	F
		B	CR 250	250	1983	R
		B	GS - RV 250	250	2000	F/R
		B	CR - RV 350	350	1980	F
		B	GS -RV 350	350	1980	F
	CAGIVA	B	ALETTA 125 ELECTRA	125	1988	R
		B	SST 125	125	1981	R
		B	XSST 125 ruota integrale	125	1978	R
		B	MXR 250	250	2000	F/R
		B	RX 250	250	2000	F/R
		B	MXR 400	400	2000	F/R
		B	MXR 500	500	2000	F/R
	FANTIC	B	CROSS 80 COMPETITION	80	1981	R
		B	ENDURO 80	80	1980	R
		B	CROSS 125 COMPETITION	125	1980	R
		B	ENDURO 125	125	1980	R
		B	REGOLARITA' 125	125	1981	R
	GILERA	B	TG1 80	80		R
		B	TG2 80	80		R



			CC	FROM	TO	FRONT / REAR
		B	TG3 80	80		R
		B	ARCORE 125	125		F
		B	E1 125	125		R
		B	E1 125 COMPETIZIONE	125		R
		B	GR1 125	125		R
		B	ARCORE 150	150		R
		B	250	250		R
	KRAMER	B	250	250		R
	MOTO MORINI	B	KANGURO 350	350	2000	F
		B	CAMEL 500	500	1984	R
		B	CAMEL 500	500	2000	F
	PUCH	B	F5 250 REGOLARITA'	250	1983	F
		B	MC 250 VHS W	250	1983	F
		B	CROSS 347	347	2000	F
		B	FS 347 REGOLARITA'	347	2000	F
		B	MC 496	496	2000	F
	SWM	B	CROSS 125	125	2000	F/R
		B	ENDURO 125	125	2000	F/R
		B	ENDURO 175	175	2000	F/R
		B	CROSS 250	250	2000	F/R
		B	ENDURO 347	347	2000	F/R
		B	CROSS 440	440	2000	F/R
		B	ENDURO 440	440	2000	F/R
FSB902	BENELLI	B	BOBO 50	50	1978	F/R
		B	EXPORT 3 V 50	50	1979	F/R
		B	G 2 50	50	1979	F/R
		B	MOTORELLA 50	50	1979	F/R
	BETA	B	ANDY 50 alloy wheels	50	1978	F/R
		B	ANDY 50 spoke wheels	50	1978	F/R
		B	B12 50	50	1973	F/R
		B	MIO 50	50	1979	F/R
	FANTIC	B	ISSIMO 50 (spoke wheels)	50		F/R
	GARELLI	B	BASIC 50 (spoke wheel)	50		F/R
		B	EUREKA 50	50		F/R
		B	GULP 50	50		F/R
		B	NOI 50 (spoke wheel)	50		F/R
		B	NOI 50 MATIC	50		F/R
		B	SUPER VIP 50	50		F/R
		B	VIP 50 (spoke wheel)	50		F/R
	GILERA	B	CB 1 50	50		F
		B	CBA 50	50		F
		B	CBA 50	50	1986	F
		B	ECO 50	50		F
	MALAGUTI	B	CHOPPER 25	25	2000	R
		B	CHOPPER 40	40	2000	R
		B	LX 50 SPORT	50	2000	R
		B	Mopeds 50 (all models)	50	2000	R
		B	RCW 50 RONCO	50	2000	R
		B	VA 50 OLYMPIQUE	50	2000	R
		B	CHOPPER 80	80	2000	R
	MOTO GUZZI	B	CHIU' 50	50	1974	1976 F/R
		B	DINGO 50 3 V	50	1975	1976 F/R
		B	DINGO 50 3M	50	1966	1974 F/R
		B	DINGO 50 M	50	1969	1973 F/R
		B	DINGO 50 MM	50	1975	1976 F/R
		B	MAGNUM 50	50	1975	1976 F/R
		B	TROTTER 50	50	1966	1970 F/R
		B	TROTTER 50 MARK M - V	50	1971	1973 F/R
		B	TROTTER 50 SPECIAL M - V	50	1971	1973 F/R
		B	TROTTER 50 SUPER	50	1966	1970 F/R
	PIAGGIO	B	FREE 50	50	1993	1995 F
	PIAGGIO (moped)	B	BOXER 50	50		F
		B	BRAVO 50	50		F
		B	CIAO 50	50		F
		B	SI 50	50		F
		B	SUPER BRAVO 50	50	1985	F
	PIAGGIO (Spain)	B	VESPINO 50	50	2000	F
	RIZZATO	B	ATALA UNO 50 (spoke wheels)	50		F/R
	TOMOS	B	K 83	83		F/R
		B	M 83	83		F/R
FSB903	GARELLI	B	FORMUNO 50 (up to frame N. 2701551)	50	1987	F
FSB904	ACCOSSATO	B	CE 80 CROSS H 20	80	1984	F
		B	CE 80 ENDURO H 20	80	1984	F
		B	CE 125 CROSS H 20	125	1984	F
		B	CE 125 ENDURO H 20	125	1984	F
	APRILIA	B	TUAREG 125	125	1984	F
		B	MX 250	250	1984	F/R
		B	RX 250	250	1984	F/R
	TRE SOLDI	B	REGOLARITA' 80	80	1986	1986 R

B = Bike
A = ATV
S = Snowmobile

B = Bike
A = ATV
S = Snowmobile



				CC	FROM	TO	FRONT / REAR	
FSB905	BETA	B	TR 33 TREKKING 240	240	1988		R	
FSB906	GARELLI	B	FORMUNO 50 (from frame N. 2701552)	50	1987		F	
	PEUGEOT	B	FOX 50	50	1996		F	
FSB907	ACCOSSATO	B	50 CROSS MINI	50	1982		F/R	
	APRILIA	B	ET 50	50	1984	1986	F	
		B	RC 50	50	2000		F/R	
		B	RED ROSE 50	50	1988	1991	R	
		B	TUAREG 50	50	1984	1986	F	
	ASPES	B	CS 50 NAVAHO	50	1970	1981	F/R	
	BETA	B	FOUR 50 AE	50	1987		R	
		B	FOUR 50 S	50	1987		R	
		B	FOUR TWIN 50	50	1988		R	
		B	M4 50	50	1983		R	
		B	M6 50	50	1983		R	
		B	MS 50	50	1980		R	
		B	MX4 50 Special	50	1970		F/R	
		B	SCRAMBLER 50 4 M	50	1982		F/R	
		B	SQUIRREL 50	50	1983		R	
		B	TR 50	50	1980	1986	F	
		B	TR 80	80	1980		F	
	FANTIC	B	TRIAL 50 I SERIE (mozzi centrali)	50	2000		F	
		B	TRIAL 125 I SERIE. (iEL. grig. m. cen)	125			F	
	GARELLI	B	CICLONE 50 I SERIE (spoke wheel)	50			F/R	
		B	CICLONE 50 II SERIE (alloy wheels)	50			F/R	
		B	CICLONE 50 N DE LUXE SELF MIX L.C	50			R	
		B	CICLONE 50 N/N DE LUXE SELF MIX L	50			F/R	
		B	GRAN TURISMO 50 (alloy wheel)	50			F/R	
		B	KL 50 SV	50			F/R	
	MALAGUTI	B	CENTRO 50	50	2000		F	
		B	FIFTY 50 4 MARCE	50	1987		F/R	
		B	FIFTY 50 FULL (all models)	50	1983		R	
		B	FIFTY 50 HF	50	1987		F/R	
		B	FIFTY 50 HF	50	2000		R	
		B	FIFTY 50 NL	50	1987		F/R	
		B	FIFTY 50 TOP	50	1985		R	
		B	WC 50 WATERCOOLED	50	2000		R	
	MOTO GUZZI	B	DINGO 50 CROSS	50	1966	1974	F/R	
		B	DINGO 50 GT	50	1966	1974	F/R	
		B	DINGO 50 SPORT	50	1966	1974	F/R	
		B	DINGO 50 SUPER	50	1966	1974	F/R	
		B	DINGO 50 TURISMO	50	1966	1974	F/R	
	RIZZATO	B	ATALA CALIFFONE 50 (alloy wheels)	50			F/R	
		B	ATALA MASTER 50 (alloy wheels)	50			F/R	
	SWM	B	TL 50 TRIAL	50	2000		F/R	
		B	TR 50	50	2000		F/R	
		B	TL 80 TRIAL	80	2000		F/R	
		B	TR 80	80	2000		F/R	
FSB908	BENELLI	B	G 2 50 ELLE	50	1979		F/R	
	GARELLI	B	BASIC 50 (alloy wheels grimeca)	50			F/R	
		B	FORMUNO 50 (from frame N. 2701552)	50	1987		R	
		B	FORMUNO 50 (up to frame N. 2701551)	50	1987		R	
		B	FORMUNO 50 F1 RAID	50	1987		R	
		B	NOI 50 (alloy wheels grimeca)	50			F/R	
		B	TEAM MATIC 50	50	1988		R	
		B	VIP 50 (alloy wheels grimeca)	50			F/R	
	MALAGUTI	B	DRIBBLING 50 (all models)	50	1987		F/R	
		B	FIFTY 50 RV	50	1987		F/R	
		B	FIFTY 50 RV VARIATORE / KICK	50	1987		F/R	
		B	FOX 50 CUSTOM	50	1988		F/R	
		B	GRIZZLY 50 (all models)	50	1987		F/R	
		B	GRIZZLY 50 RCX / "12"	50	1987		R	
		B	RANOCCHIO 50 3 RUOTE	50	1988		F/R	
		B	RGT 50 STRADA	50	1983		R	
	PIAGGIO (moped)	B	BOSS 50	50	1988		F	
		B	BRAVO 50 (alloy wheels 90mm hub)	50	1987		F	
	PUCH	B	MAXI 80 EXECUTIVE	80	1988		F	
FSB909	APRILIA	B	ETX 125	125	1985	1986	R	
		B	ETX 125	125	1986	1997	R	
		B	RX 125	125	1986		R	
		B	TREND GO WEST 125	125	1987		R	
		B	TUAREG 125	125	1984		R	
		B	TUAREG 125 RALLY	125	1986		R	
		B	RX 250	250	1986		R	
		B	TUAREG 250 RALLY	250	1986		R	
	FSB910	BETA	B	PULMAN 50	50	1970		F/R
		FANTIC	B	SPRINTER 50	50	1984		F/R
		B	SPRINTER 50 3V. R (FM. 248)	50	1983		F/R	
GARELLI		B	JUNIOR 50 TURISMO (spoke wheel)	50			F/R	



				CC	FROM	TO	FRONT / REAR
	GILERA	B	TREND 50	50	1989	1992	F
	ITALJET	B	SHOPPING 50	50	1990		F
	PIAGGIO (moped)	B	BRAVO 50 (alloy wheels)	50	1987		F
		B	CIAO 50 (alloy wheels)	50	1987		F
		B	GRILLO 50	50	1989		F
		B	SI 50 (alloy wheels)	50	1980		F
		B	SUPERBRAVO 50 3 Marce	50	1987		F
	PIAGGIO (Spain)	B	VESPINO 50	50	1980		F
	RIZZATO	B	ATALA CALIFFONE 50 (spoke wheels)	50			F/R
FSB911	APRILIA	B	TUAREG 250	250	1984		R
	GARELLI	B	TIGER 125 XR	125			R
		B	TIGER 125 XRD	125			R
	GILERA	B	HX 125 LC	125	1983		R
	MOTO GUZZI	B	TT 125	125	1985		R
	TRE SOLDI	B	REGOLARITA' 80	80	1986	1986	F
FSB912	PIAGGIO (Spain)	B	VESPINO 50	50	1980		R
		B	VESPINO 50	50	2000		R
FSB913	YAMAHA	B	XT 125	125	1976		F
		B	YZ 125 C - D - E - F - G - H - J	125	1976	1982	F
		B	IT 175 G - H - I	175	1980	1982	F
		B	IT 250 G	250	1980		F
		B	IT 250 H - J - K	250	1981	1983	F
		B	TY 250 H	250	1981		F
		B	XL 250 G	250	1980		F
		B	YZ 250 D - E - F	250	1976	1979	F
		B	YZ 250 G	250	1980		F
		B	YZ 250 H	250	1981		F
		B	YZ 400 D - E - F	400	1977	1979	F
		B	IT 425 G	425	1980		F
		B	IT 500 G - H	500	1980	1981	F
	B	TT 500 G - H	500	1976	1981	F	
FSB914	ITALJET	B	BAZOOKA 1 50	50	1991		F
		B	REPORTER 50	50	1990	1993	F
	RAPIDO	B	SCRENNIA 50	50			F
FSB915	PIAGGIO	B	FREE 50	50	1993	1995	R
		B	FREE 50 (alloy wheels)	50	1996	2000	F
		B	ZIP 50	50	1992	1996	F
FSB916	BSA	B	BANTAM D7 175	175			F/R
	TRIUMPH	B	CUB 500	500			F/R
FSB917	BSA	B	BANTAM D1 125	125			F/R
FSB918	BSA	B	C15 250	250			F/R
FSB919	TRIUMPH	B	T 100	100	1970		F
		B	T 120	120	1966		F
		B	T 140	140	1970		F
		B	T 150	150	1969		F
		B	T 150	150	1969		F
FSB920	NORTON	B	COMMANDO	750	1968	1970	F
FSB921	TRIUMPH	B	T 100	100	1970		R
		B	T 120	120	1966		R
		B	T 140	140	1970		R
		B	T 150	150	1969		R
		B	TIGER 750 TR 7V	750	2000		R
		B	COMMANDO	750	1968	1970	R
FSB922	NORTON	B	COMMANDO	750	1968	1970	R
FSB923	NORTON	B	adaptable to front 200x30 drums				F
FSB924	BSA	B	A 7 - A 10 125	125			R
FSB925	HONDA	B	FL 400 R PILOT (4W)	400	1989	1990	F
	HONDA ATV	A	TRX 200 Fourtrax	200	1984		F
		A	TRX 250 Drum Brake	250	1985	1987	F
		A	TRX 250 Fourtrax	250	1985	1987	F
		A	FL 350 R ODYSSEY	350	1985	1990	F
		A	FL 400 R Pilot	400	1989	1990	F
FSB927	SUZUKI ATV	A	LT 230 GEF/GEG QUADRUNNER	230	1985	1986	F
		A	LT-F 230 G/H	230	1986	1987	F
		A	LT 250 EF	250	1985	1986	F
		A	LT 300 E	300	1987	1989	F
FSB928	YAMAHA ATV	A	YFM 350 ERT/ERU	350	1987	1988	F
		A	YFM 350 FW T/U	350	1987	1988	F
		A	YFM 350 FW T/U BIG BEAR	350	1987	1988	F
FSB929	SUZUKI ATV	A	LT-F 300 KING QUAD	300	1991	2001	F
		A	LT-F 400 X	400	1991	2000	F
FSB931	HONDA ATV	A	TRX 300 (4WD) FW Fourtrax	300	1988	2000	F
		A	TRX 350 TM/TE/FE/FM Fourtrax Rancher	350	2000	2007	F
		A	TRX 400 Fourtrax Rancher	400	2004	2007	F
		A	TRX 450 FE/FM Fourtrax Foreman ES / S	450	1998	2004	F
		A	TRX 500 FA Fourtrax Rubicon	500	2001	2004	F
		A	TRX 500 FGA Fourtrax Foreman Rubicon Gpscape	500	2001	2005	F
		A	TRX 650 FA Rincon / FGA Fourtrax Rincon Gpscape	650	2003	2005	F
FSB932	KAWASAKI ATV	A	KLF 300 BAYOU A Series	300	1986	1987	F
FSB933	YAMAHA ATV	A	YFM 350 ER E/F/G	350	1993	1995	F



			CC	FROM	TO	FRONT / REAR	
...FSB933		A	YFM 350 FW H/J/K BIG BEAR	350	1996	1998	F
		A	YFM 350 FW W/A/B/D/E/F/G BIG BEAR	350	1989	1995	F
		A	YFM 400 FW KODIAK	400	1993	1998	F
FSB934	KAWASAKI ATV	A	KAF 300 (MULE 250 / 500 / 550 / 520)	550	1992	2000	F
	SUZUKI ATV	A	LT-F 250 4WD QUADRUNNER	250	1987	2002	F
		A	LT-F 250 F QUADRUNNER	250	1999	2002	F
		A	LT-F 250 QUADRUNNER	250	1988	2001	F
FSB935	PIAGGIO (motocarr)	B	APE POKER 420 BENZINA	420	1993		F/R
		B	APE POKER 420 DIESEL	420	1993	1997	F/R
		B	VTL 500 QUARGO	500	2005		F/R
FSB936	CZ	B	adaptable to front 85x20 drums				F
FSB937	PIAGGIO (moped)	B	P1 50	50	1994		F/R
	PUCH	B	RADICAL 50	50	1994		F/R
FSB938	APRILIA	B	MOJITO CUSTOM 50	50	2004	2012	R
	GILERA	B	RUNNER 50	50	1997	1998	R
		B	TYPHOON 125	125	1995		R
		B	TYPHOON 125 XR KAT	125	2000		R
	PIAGGIO	B	FREE 50	50	2002		R
		B	NGR 50 POWER DT	50	2005	2007	R
		B	NRG 50 DT MC3 (Rear drum model)	50	2001	2005	R
		B	NRG 50 EXTREME (Rear drum model)	50	1999	2001	R
		B	NRG 50 MC2	50	1998		R
		B	NRG 50 Power DT	50	2005	2013	R
		B	TYPHOON XR 50	50	2000	2007	R
		B	VELOFAX 50	50	1996		F
		B	VESPA 50 ET2	50	1997	1998	R
		B	VESPA 50 ET4	50	1999		R
		B	Vespa LXV 50	50	2007	2009	R
		B	VESPA S 50 (2T)	50	2007	2013	R
		B	VESPA S 50 (4T/4V)	50	2008	2013	R
		B	VESPA S 50 Sport (2T)	50	2011	2013	R
		B	VESPA S 50 Sport (4T/4V)	50	2011	2013	R
		B	VESPA SPRINT 125 (4T 3V) i.e. ABS	50	2014		R
		B	VESPA SPRINT 50 (2T 2V)	50	2014		R
		B	VESPA SPRINT 50 (4T 4V)	50	2014		R
		B	XR 50	50	2000		R
		B	ZIP 50	50	1999		R
		B	ZIP 50 Grimeca/Heng Tong A/C 4T	50	2000	2008	R
		B	ZIP 50 SP	50	2001	2006	R
		B	ZIP 50 BASE (Disc)	50	1995	1996	R
		B	ZIP 50 RST	50	1996	1997	R
		B	ZIP 50 SP	50	1996	2000	R
		B	Zip 100	100	2007		R
		B	HEXAGON 125	125	1994	1997	R
		B	SFERA 125	125	1995	1997	R
		B	SFERA 125 (4 stroke)	125	1996		R
		B	SKIPPER 125	125	1993	1997	R
		B	TYPHOON 125 / XR 125	125	1995	2000	R
		B	VESPA 125 ET4	125	1996		R
		B	Vespa S 125 (4T)	125	2007	2013	R
		B	Vespa S 125 Sport (4T)	125	2011	2013	R
		B	ZIP 125	125	2000		R
		B	HEXAGON 150	150	1994	1999	R
		B	SKIPPER 150	150	1993	1997	R
		B	VESPA 150 ET4	150	1996		R
		B	VESPA LX 150 (4T/3V) 05-13	150	2005		R
		B	VESPA LX 150 (Serie Speciali/4T)	150	2012		R
		B	VESPA S 150 (4T)	150	2007	2013	R
		B	VESPA S 150 Sport (4T)	150	2011	2012	R
FSB939	APRILIA	B	SCARABEO 50	50	1994	1995	F
FSB940	GILERA	B	TYPHOON 50	50	1996		R
	PIAGGIO	B	FREE 50	50	1996	2000	R
		B	FREE Delivery 50	50	2000	2001	R
		B	NRG 50	50	1996	1997	R
		B	NRG 50 MC2	50	1996	1997	R
		B	NTT 50	50	1996		R
		B	SFERA 50 RST	50	1995	1997	R
		B	TYPHOON 50	50	1993	1999	R
		B	ZIP 50 Electric	50	2002		R
		B	ZIP 50 FAST RIDER	50	1993	1997	R
		B	TYPHOON 80	80	1993	1996	R
FSB941	MALAGUTI	B	CR1 50 CROSSER	50	1995		R
		B	CR1 50 CROSSER	50	1996		R
FSB942	HONDA	B	XL 250 K3 - K4	250	1978	1979	F
FSB943	HONDA	B	CB 250 B4	250	1973	1975	F
		B	CB 250 K3 - K4 - K5	250	1973	1975	F
		B	CB 350 K4	350			F
		B	CB 360 G5 all models	360	1975		F



			CC	FROM	TO	FRONT / REAR	
FSB944	HONDA ATV	A	TRX 350/TRX 350D Fourtrax/Foreman	350	1986	1989	F
FSB945	HONDA	B	TRZ 200 (4W)	200	1990		F
	HONDA ATV	A	TRX 200 (Fourtrax/SX Fourtrax/D Type II Fourtrax)	200	1986	1998	F
		A	TRX 250 D RECON/TE-TEA Recon ES/TM-TMA Recon	250	1997	2010	F
		A	TRX 300 (2WD) Fourtrax	300	1988	2000	F
FSB946	HONDA	B	FES 125 PANTHEON	125	1998	1999	R
		B	FES 125 PANTHEON	125	2000	2006	R
		B	FES 150 PANTHEON	150	1998	1999	R
		B	FES 150 PANTHEON	150	2000	2002	R
		B	FE 250 FORESIGHT	250	1997	1998	R
	HONDA ATV	A	TRX 350 TM/TE/FE/FM Fourtrax Rancher	350	2000	2007	R
		A	TRX 400 Fourtrax Rancher	400	2004	2007	R
		A	TRX 400 FW / FM Fourtrax Foreman	400	1995	2003	R
		A	TRX 420 FPE/FPM Fourtrax Rancher 4x4	420	2009	2010	R
		A	TRX 420 TM/TE/FE/FM Fourtrax Rancher	420	2007	2010	R
		A	TRX 450 FE/FM Fourtrax Foreman ES / S	450	1998	2004	R
FSB947	APRILIA	B	SCARABEO 100 (Yamaha engine)	100	2000		R
	BENELLI	B	K2 100 BIPOSTO	100	1999		R
	ITALJET	B	MILLENNIUM 100	100	2000	2001	R
		B	MILLENNIUM 100	100	2002	2003	R
		B	MILLENNIUM 125	125	2000	2001	R
		B	MILLENNIUM 125	125	2001	2003	R
		B	MILLENNIUM 150	150	2000	2001	R
		B	MILLENNIUM 150	150	2001	2003	R
	KSR MOTO BY GENERIC	B	Zion 125/150 (Rear Drum Model)	125	2008	2010	R
	MBK	B	BOOSTER 100	100	2000	2002	R
		B	DOODO 125	125	2001	2003	R
		B	SKYLINER 01 - 125	125	1998	2000	R
		B	DOODO 150	150	2001	2003	R
		B	SKYLINER 150	150	2000	2002	R
	YAMAHA	B	BW' S 100	100	2000	2002	R
		B	YN 100 NEO'S	100	2000	2003	R
		B	BL 125 BELUGA	125	1993	1995	R
		B	RIVA 125 XX	125	1993		R
		B	XC 125 CYGNUS T	125	1995		F
		B	XN 125 N TEO'S	125	2000	2003	R
		B	XV 125 VIRAGO	125	1997	2000	R
		B	XVS 125 DRAG STAR	125	2000		R
		B	YBR 125 E/K (5HH1/2/C/G/J/SLX/SLX9)	125	2000	2008	F/R
		B	YBR 125 ED (3D91)	125	2005	2006	R
		B	YBR 125 ED (5HHB/F/H)	125	2006	2008	R
		B	YP 125 MAJESTY	125	1998	2000	R
		B	RT 180	180	1993	1994	R
		B	RT 180 G	180	1995	2000	R
		B	TW 200	200	1993	2000	F
		B	SRV 250 SOULFULTWIN RENAISSA	250	1992	1997	R
		B	XV 250 S VIRAGO	250	1995	2000	R
		B	XVS 250 DRAGSTAR	250	2001	2004	R
	YAMAHA ATV	A	YFM 50 RAPTOR	50	2004	2007	R
		A	YFM 80 BADGER	80	1992	2001	R
		A	YFM 80 GRIZZLY	80	2005	2008	R
		A	YFM 80 RAPTOR	80	2002	2008	R
		A	YFA1 125 BREEZE	125	1992	2004	R
		A	YFM 125 GRIZZLY	125	2004	2010	R
FSB948	YAMAHA ATV	A	YFB 250	250	1995	1998	F/R
		A	YFB 250 D/E/F TIMBERWOLF	250	1992	1994	R
		A	YFB 250 FW TIMBERWOLF	250	1994	2000	F/R
		A	YFM 250 BEAR TRACKER	250	1999	2000	F/R
		A	YFM 250 BEAR TRACKER	250	2001	2004	R
		A	YFM 250 W/A/B	250	1989	1991	F
		A	YFP 350 U Terrapro	350	1988		F
		A	YFM 400 FW Kodiak	400	1999	2000	R
FSB950	KAWASAKI	B	BJ 250 D1-D7 Estrella Custom	250	1996	2002	F
		B	BJ 250 E1-E4A Estrella RS Custom	250	1996	1999	F
	SUZUKI	B	T 500 all models	500	1968	1975	F
		B	GT 550 J	550	1972	1972	F
FSB951	PIAGGIO	B	VELOFAX 50	50	1996		R
FSB952	PIAGGIO	B	ZIP 50	50	1999		F
		B	ZIP 50 RST	50	1998	1999	R
	PIAGGIO (moped)	B	CIAO 50 MIX	50	1997		F
		B	SI 50 MIX	50	1997		F
FSB954	APRILIA	B	SCARABEO 50 2T Street / 4T 4V	50	2010		R
		B	Sport City One 50 (2T)	50	2008	2011	R
		B	Sport City One 50 (4T)	50	2008	2009	R
		B	SR MOTARD 50	50	2012		R
		B	Scarabeo 100 (4T)	100	2010	2012	R
		B	SCARABEO 100 4T / Net	100	2001		R
		B	HABANA 125 all models	125	1999		R

B = Bike
A = ATV
S = Snowmobile

B = Bike
A = ATV
S = Snowmobile



...FSB954

			CC	FROM	TO	FRONT / REAR		
DERBI GILERA PIAGGIO	B	SPORTCITY ONE 125	125	2010		R		
		SR 125	125	1999		R		
		SR MOTARD 125	125	2012		R		
		SR 150	150	1999		R		
		SONAR 125 (4T)	125	2010	2011	R		
		RUNNER 125	125	2000		R		
		RUNNER 180	180	2000		R		
		Liberty Elettrico		2011	2012	R		
		FLY 50 2T	50	2005		R		
		FLY 50 4T	50	2005		R		
		LIBERTY 50	50	1997	2003	R		
		Liberty 50 (2T / 10 Spoke Cast Wheels)	50	2009	2013	R		
		Liberty 50 (4T / 10 Spoke Cast Wheels)	50	2009	2013	R		
		Liberty Sport 50 2T	50	2007	2008	R		
		Typhoon 50 (2T/12" Wheels)	50	2010	2012	R		
		VESPA PRIMAVERA 50 2T	50	2014		R		
		VESPA PRIMAVERA 50 4T 4V	50	2014		R		
		Fly 100 (4T)	100	2007	2012	R		
		FREE 100	100	2002		R		
		FLY 125	125	2004	2006	R		
		HEXAGON 125 LX	125	1998	1999	R		
		LIBERTY 125 (5 Spoke wheels)	125	1998	2008	R		
		Liberty 125 4T 2V (10 Spoke Cast Wheels)	125	2009		R		
		Liberty 125 4T 3V (10 Spoke Cast Wheels)	125	2013		R		
		Liberty SPORT 125	125	2006	2008	R		
		SKIPPER 125 ST 4T	125	1998	1999	R		
		SKIPPER ST 125 (Grimeca caliper)	125	2000		R		
		SKIPPER ST 125 (Heng Tong caliper)	125	2000		R		
		Typhoon 125 (4T/12" Wheels)	125	2010	2012	R		
		TYPHOON 125 / XR 125	125	1999	2003	R		
		VESPA PRIMAVERA 125 4T 3V i.e.	125	2013		R		
		VESPA PRIMAVERA 125 4T 3V i.e. ABS	125	2015		R		
		LIBERTY 150 (5 Spoke Wheels)	150	2000	2002	R		
		Liberty 150 4T (10 Spoke Cast Wheels)	150	2009	2013	R		
		LIBERTY 150 4T (5 Spoke Wheels)	150	2008	2008	R		
		Liberty 150 4T 3V LEM (10 Spoke Cast Wheels)	150	2013		R		
		SKIPPER 150 ST 4T	150	1998	1999	R		
		SKIPPER ST 150 (Grimeca caliper)	150	2000		R		
		SKIPPER ST 150 (Heng Tong caliper)	150	2000		R		
		VESPA PRIMAVERA 150 3V	150	2014		R		
		HEXAGON 180 LX	180	1998	1999	R		
		Liberty S 200	200	2007	2008	R		
		FSB955	CZ	SCRAMBLER CROSS 125	125			F/R
				JAWA 250 CROSS	250			F/R
				SCRAMBLER CROSS 250	250			F/R
				SCRAMBLER CROSS 350	350			F/R
				SCRAMBLER CROSS 380	380			F/R
		FSB956	APRILIA	HABANA 50 all models	50	1998		R
MOJITO CUSTOM 50	50			1999	2003	R		
FSB957	SUZUKI	UE - 125 EPICURO	125	1998	2000	R		
		UC 150 EPICURO	150	1998	2000	R		
FSB958	KYMCO	AGILITY 50 R16 + (2T)	50	2015		R		
		AGILITY 50 R16 + (4T)	50	2015		R		
		AGILITY CITY 50 R16 (4T/2T)	50	2008		R		
		PEOPLE 50 (2T)	50	1999	2011	R		
		PEOPLE S 50 (2T)	50	2005	2010	R		
		PEOPLE S 50 (4T)	50	2006	2013	R		
		SUPER 8 50 2T/4T	50	2007		R		
		AGILITY 125 R12 (4T)	125	2006		R		
		AGILITY RS 125 R12 (2T)	125	2009	2013	R		
		AGILITY RS 125 R12 (4T)	125	2010		R		
		AGILITY RS 125 R12 (4T) Naked +	125	2010		R		
		MOVIE 125	125	1998	2000	R		
		MOVIE XL 125	125	2001	2009	R		
		PEOPLE 125	125	1999		R		
		PEOPLE ONE 125i	125	2013		R		
		PEOPLE S 125	125	2005	2006	R		
		SUPER 8 125	125	2008	2013	R		
		VIVIO 125	125	2000	2003	R		
		MOVIE XL 150	150	2001	2009	R		
		PEOPLE 150	150	1999		R		
		YAGER 150	150	2001		R		
		PEOPLE S 200	200	2004	2007	R		
		CIAK 125	125	2001		R		
		CIAK 150	150	2001		R		
		FSB959	SYM	HUSKY 125	125	2000		R
				HUSKY 150	150	2000		R



FSB960

			CC	FROM	TO	FRONT / REAR		
SYM	B	Allo 50 (4T)	50	2011		R		
		Allo GT 50 (4T)	50	2013		R		
		SHARK 50	50	1999	2003	R		
		Allo 125 (4T)	125	2011		R		
		ATTILA 125	125	1999	2000	R		
		ComBiz 125	125	2011		R		
		EURO MX 125	125	2002		R		
		HD 125	125	2004	2007	R		
		HD 125 S Evo	125	2007		R		
		MEGALO 125	125	2000		R		
		Orbit 125	125	2008	2009	R		
		Tonick 125	125	2011		R		
		VS 125	125	2006		R		
		Allo 150 (4T)	150	2011		R		
		EURO MX 150	150	2002		R		
		Jet4 (150cc/4T)	150	2013		R		
		SUPER DUKE 150	150	1999		R		
		VS 150	150	2006		R		
		HD 200	200	2004	2005	R		
		303RHawk/Laser (125cc)	125	2004	2008	R		
		303RHawk/Laser (125cc)	125	2009		R		
		Delivery/Express(125cc)	125	2004		R		
		303RHawk/Laser (150cc)	150	2004	2008	R		
		303RHawk/Laser (150cc)	150	2009		R		
		FSB962	PEUGEOT	ELYSEO 100	100	1999	2002	R
				NSC 50 C,AC Vision & R	50	2012		R
		FSB963	HONDA	LEAD 100	100			R
				CT 110 X	110	2004		R
				NSC 110 WHB,AC Vision	110	2011		R
				SCV 110 Lead (WHA)	110	2010	2011	R
				125 DYLAN	125	2002		R
				@ 125 NES	125	2000		R
@ 125 NES	125			2001		R		
CBF 125 M	125			2009		R		
PCX 125 (WW125 EX2)	125			2010	2013	R		
PS 125 i	125			2007		R		
SH 125 & 125i (Rear Drum Model)	125			2000	2008	R		
@ 150 NES	150			2000		R		
PS 150i	150			2008		R		
SH 150	150			2000	2008	R		
FSB964	DAELIM	OTELLO / NS 125	125	1999		R		
		ROCKET 125	125	1999	2001	R		
		VS 125 CUSTOM	125	2001		R		
FSB965	PIAGGIO (motocarr)	PORTER	50	1993		R		
FSB966	ARCTIC CAT ATV	90-Y12 Youth (2T-4T)	90	2002	2005	R		
		CAN AM ATV	70	2008		R		
		KYMCO	125	2014		R		
		CK1 125	125	2014		R		
		KYMCO ATV	50	2005		R		
		Mongoose 50 (2T)	50	2004	2008	R		
		POLARIS ATV	50	2007	2010	R		
		Outlaw 50	50	2007	2010	R		
		PREDATOR 50	50	2004	2006	R		
		Predator 50 (2 stroke)	50	2004	2006	R		
		SCRAMBLER 50	50	2001	2006	R		
		Outlaw 90	90	2007	2010	R		
		PREDATOR 90	90	2003	2006	R		
		SCRAMBLER 90	90	2001	2006	R		
		SPORTSMAN 90	90	2001	2010	R		
		SYM	B	Orbit II 50 (4T)	50	2012		R
				Orbit II 50 Naked (4T)	50	2012		R
				Symphony 50 (4T/Rear drum model)	50	2009	2009	R
				Tonik 110 (4T)	110	2011	2013	R
				Fiddle II 125	125	2008		R
				Fiddle III 125 (4T)	125	2008		R
				JET 4 (125cc- 4T)	125	2010		R
				JETV (125cc/4T)	125	2012	2013	R
				SHARK 125	125	1999	2002	R
				Symphony 125 (4T/Rear drum)	125	2009	2009	R
		Symply 125	125	2007	2008	R		
Symply II 125	125	2009		R				
FSB967	MBK	YW 125 Z X-Over	125	2010	2010	R		
		YAMAHA	BW's 125	125	2010		R	
			NCX 125 CYGNUS X 220mm disc (5ML)	125	2004	2006	R	
			NCX 125 CYGNUS X 240mm disc (4P9)	125	2006	2013	R	
			NCX 125 K CYGNUS X Cab (4C6-1)	125	2007	2010	R	
NCX 125 K CYGNUS X Injection (4C6-2)	125	2007	2010	R				
Xenter 125	125	2012		R				

3080

B = Bike
A = ATV
S = SnowmobileFERODO
MOTORCYCLE PADS

Updated on 9th Oct 2015

B = Bike
A = ATV
S = Snowmobile



..FSB967

B Xenter 150

CC	FROM	TO	FRONT / REAR
150	2012		R

B = Bike
A = ATV
S = Snowmobile

B = Bike
A = ATV
S = Snowmobile



FERODO™

MOTORCYCLE PADS



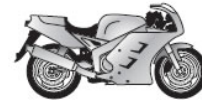
Pads for Racing Calipers

FERODO™

MOTORCYCLE PADS

PADS FOR RACING CALIPERS

PASTIGLIE PER PINZE DA COMPETIZIONE



...AMERICAN IRONHORSE

American Ironhorse 6 Pot	FDB2036
American Ironhorse PM caliper 4 pot	FDB2040

AP RACING

CP2044 (4 Piston)early w/ tabs	FRP410
CP2195 (2 Piston)	FDB342
CP2696 (2 Piston)	FDB342
CP3086 (4 Piston) radial narrow-band	FRP410
CP4466/4477 (6 Piston)	FDB2167
CP4485 (4 Piston)	FRP410

AP/LOCKHEED

4 Piston Radial Mount CP6688 (4 pads required)	FDB2166
--	---------

BERINGER

4 Piston	FDB574
6 Piston	FDB2036
6 Piston	FDB207

BRAKING

Braking Systems 4 Pot; Twin Pin	FDB2042
---------------------------------	---------

BREMBO

2 Piston P2 34 XA0xxxx radial mount (2 pads required)	FDB2166
2-Piston (F04 twin pin w/tabs)	FRP405
2-Piston (F08/P108)	FDB108
2-Piston (F08/P108)	FDB148
2-Piston, new for 1997 (P32G)	FDB2074
2-Piston/Large (F09)	FDB204
2-Piston/Small (F05)	FDB207
2-Piston/Small (P30A)	FDB889

BREMBO

220.9885.30 High Perf. Kit Ducati models (100 mm distance)	FDB2218
--	---------

BREMBO

220.A397.10 High Perf. kit Japanese models (108 mm distance)	FDB2218
220A01610	FDB2042
4 Piston P34/34 X00.C04&X99C4 radial mount (4 pads required)	FDB2166
4-Piston Radial mount Billet HP w/ 108mm centers	FDB2042
4-Piston/2 pads; Narrow (GP32/36-mono), 10mm	FDB2123
4-Piston; 8mm pad (P3034)	FRP408
4-Piston; Four Pad Gold Line	FDB2120
4-Piston; Four Pad Gold Line	FDB2215
4-Piston; Four Pad Gold Line 8,5 mm thick version	FDB2215
4-Piston; Twin Pin Wide Mount 65mm	FDB2042
Brembo Racing, Billet 2x24mm rear: GP24 (2 piston)	FDB2171
Brembo Racing, Billet 4x24mm rear: GP4-24 (4 piston)	FDB2170
Brembo Racing, Billet rear	FDB2122
GP Type XA3.J7&XA8.Y3 Radial Mount (Pinless Fixing)	FDB2228

GP4 RR (code XA93310/11)	FDB2123
Radial Caliper M4.32	FDB2265
SBK Racing DX XB0.B1.31, SX XB0.B1.30 (P4 30/34)	FDB2278
XA93310/11 4-Piston/2 pads; Narrow (GP32/36-2pc), 8.3mm	FDB2007

EBC

4 Piston	FDB2041
----------	---------

FD (DISCACCIATI)

4-Piston	FRP408
6-Piston	FDB873
6-Piston - 9,5mm thick version	FDB2144

FLORIDA CALIPER

4-Piston (Th. 10.7mm)	FDB449
4-Piston (Th. 8.8mm)	FDB662
6-Piston (Harrison)	FRP415

FONTANA

2-Piston	FDB342
----------	--------

GMA

A Series (2-Piston)	FDB151
B Series (2-Piston)	FDB205
BP Series	FDB784
F Series (4-Piston)*	FRP405
Inside/Outside Pulley	FDB2100
S Series (6-Piston)	FDB864

GRIMECA

2-Piston, Castle Top: 1025-1	FDB698
2-Piston, Castle Top: small	FDB694
2-Piston, Castle Top: small	FDB697
2-Piston, medium (four tab, 1010)	FDB205
2-Piston, small (four tab, 1000T)	FDB213
2-Piston, Twin Pin: 1000ST	FDB695
2-Piston, Twin Pin: 1005T	FDB436
2-Piston, Twin Pin: 1025-2	FDB696
2-Piston, Twin Pin: 1050/55	FRP213
6-Piston, Castle Top: 911-755	FDB784

HARRISON BILLET

4 Piston new style	FRP415
4 Piston old style	FDB207
6 Piston new style	FRP415
6 Piston old style	FDB207
MINI 6 (6-Piston) **	FRP415

HAWG HALTERS

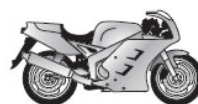
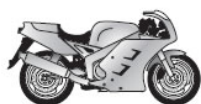
4 Pot	FDB2040
6 Pot	FDB2036

HONDA

Honda 4 Piston, Brembo / Honda RS	FDB858
-----------------------------------	--------

PADS FOR RACING CALIPERS

PASTIGLIE PER PINZE DA COMPETIZIONE



HONDA

Honda 4 Piston, Nissin	FDB533
Honda/Brembo racing kit for RC45	FDB2008

ISR

2-Piston (22-027)	FRP416
2-Piston (22-029)	FDB207
2-Piston (22-030)	FRP405
4-Piston (22-025) *	FRP416
6-Piston, Large **	FRP415

JAYBRAKE

2 & 4* Piston, large	FDB205
2 & 4* Piston, small	FRP405

KELGATE

2 & 4-Piston	FDB342
2 & 4-Piston	FRP213
6-Piston	FDB2091

LEGENDS/NOVA

4-Piston	FDB2040
----------	---------

LOCKHEED

2-Piston	FDB342
4-Piston, 8mm	FRP410
6-Piston (new for 2003)	FDB2167
Radial Mount 4 pot (new '04)	FDB2168

MAGURA

4-Piston Radial Mount	FDB2164
4-Piston Radial Mount	FDB2268
4-Piston Radial Mount	FDB2162
4-Piston Radial Mount - 9.5 mm thick version	FDB2203

MOTO-MASTER

4-Piston	FDB574
----------	--------

NISSIN

Nissin 2pot rear (TZ250, others)	FDB2194
Nissin 4Pot Axial Mnt Racing/billet	FDB858
Nissin 4Pot Radial Mount/billet	FDB2209
Nissin 4Pot Radial Mount/cast two piece	FDB2158
Nissin 6 Piston Racing	FDB2036

PEGASUS

Small Caliper	FRP405
---------------	--------

PERFORMANCE MACHINE

112x6 6-Piston	FDB2036
125x2 2-Piston	FRP405

125x4R 4-Piston; 8mm pad	FDB2040
125x4S 4-Piston *	FRP405
125x4SL 4 Piston *	FRP405
125x6 6-Piston	FDB864
137x4 4-Piston; 11mm pad	FDB2041
137x6 6-Piston	FDB847
162x2 2-Piston	FDB134

PFM

Kawasaki SBK caliper 2009	FDB2167
Narrow Blade Billet 6-Piston - Superbike	FDB2167

PRO-ONE

Pro -One 4-Piston - Old	FDB781
Pro-One 2-Piston - Old	FDB207
Pro-One 4-Piston - New	FDB574
Pro-One 6-Piston - New **	FDB207

PVM

2-Piston, rear Caliper (2 pads required)	FDB2166
4 Piston Radial Mount Caliper (4 pads required)	FDB2166
4-Piston, 2 piece caliper, 2pad x 8mm	FDB2007
4-Piston, mono blok, 2pad x 10mm	FDB2123

REVTECH® / CUSTOM CHROME

RevTech / CCI 4 Pot (CCI #18475)	FRP408
----------------------------------	--------

SPIEGLER

4-Piston	FDB2033
8-Piston	FDB887
8-Piston (narrow)	FDB2034

SPONDON

Spondon 2 Piston	FDB342
Spondon 4 Piston (w/ lugs removed)	FRP410

THUNDERHEART

4-Piston	FDB2040
----------	---------

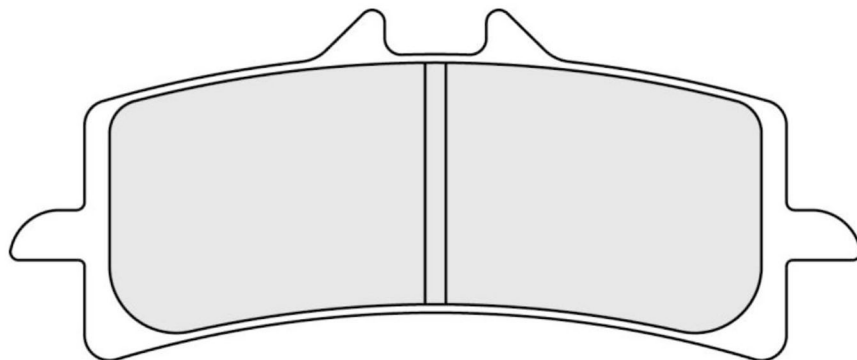
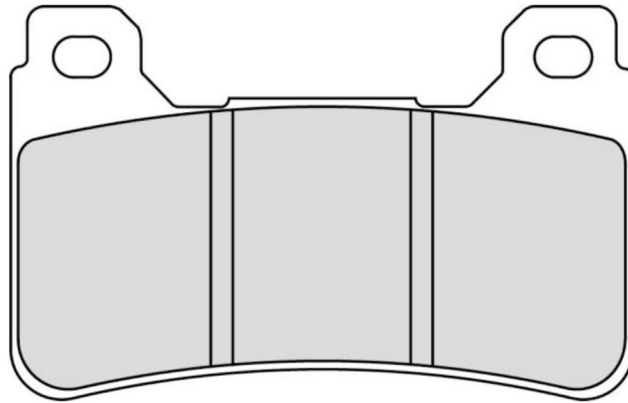
WILWOOD

4-Piston (GP300/310)	FRP408
----------------------	--------



FERODO™

MOTORCYCLE PADS



Pad Drawings

FERODO™

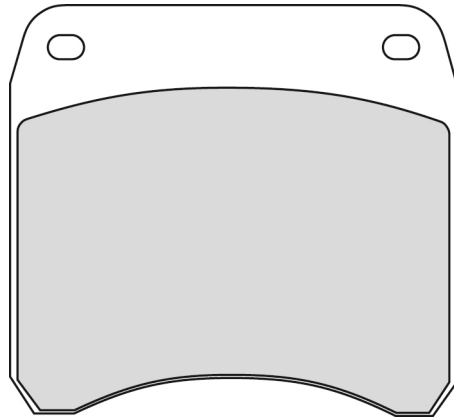
MOTORCYCLE PADS

FRP213

59.5 x 54.4 x 10.2 mm

TRIUMPH

FRONT



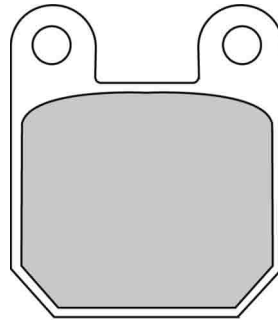
MATERIAL AVAILABILITY						
P	PRP	AG	SG	ST	CP1	XRAC
✓						

FRP405

36.1 x 45.1 x 6.0 mm

APRILIA, ATK (USA), BETA, BULTACO, CAGIVA, DERBI, FANTIC, GARELLI, GASGAS, GILERA, HUSQVARNA, ITALJET, KTM, MACAL, MALAGUTI, MONTESA, MONTESA (HONDA), MOTORHISPANIA, PEUGEOT, RIEJU, SIMSON, SUZUKI, YAMAHA

FRONT / REAR

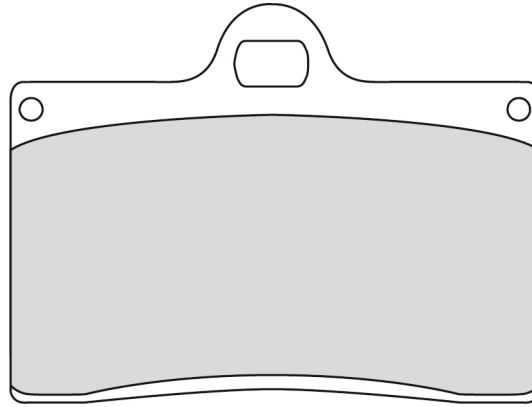


MATERIAL AVAILABILITY						
P	PRP	AG	SG	ST	CP1	XRAC
✓	✓	✓	✓	✓		

FRP408

70.0 x 51.0 x 8.3 mm

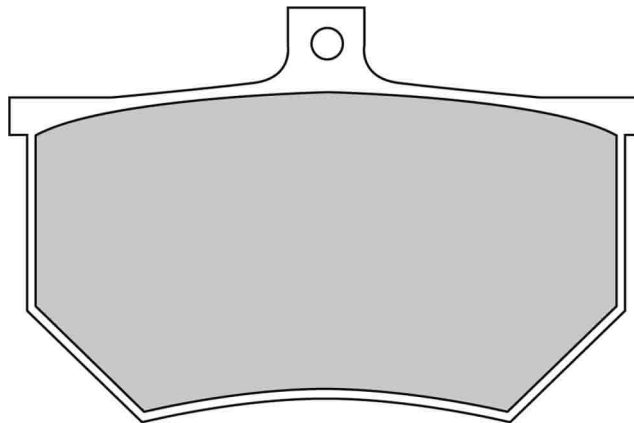
APRILIA, ATK (USA), BETA, BIMOTA, CAGIVA, DUCATI, GASGAS, GILERA, HONDA, HUSABERG, HUSQVARNA, INDIAN, ITALJET, KTM, FRONT / REAR
LAVERDA, MOTO GUZZI, MZ, NORTON, TM, YAMAHA



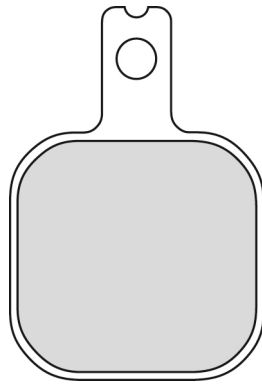
MATERIAL AVAILABILITY						
P	PRP	AG	SG	ST	CP1	XRAC
✓	✓			✓	✓	✓

FRP410

84.0 x 54.0 x 8.0 mm



MATERIAL AVAILABILITY						
P	PRP	AG	SG	ST	CP1	XRAC
✓						

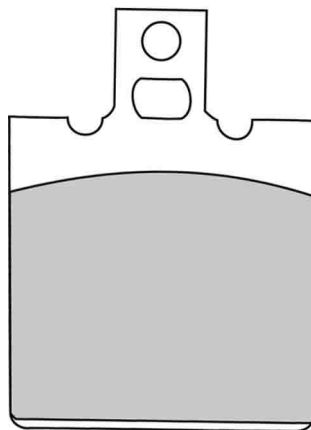
FRP415**33.6 x 49.7 x 7.0 mm**

MATERIAL AVAILABILITY						
P	PRP	AG	SG	ST	CP1	XRAC
✓						

FRP416**40.0 x 56.6 x 9.3 mm**

HONDA, HONDA-HM ITALIA, RIEJU

FRONT / REAR



MATERIAL AVAILABILITY						
P	PRP	AG	SG	ST	CP1	XRAC
✓						

FDB88

44.5 x 55.5 x 9.4 mm

NORTON

FRONT / REAR



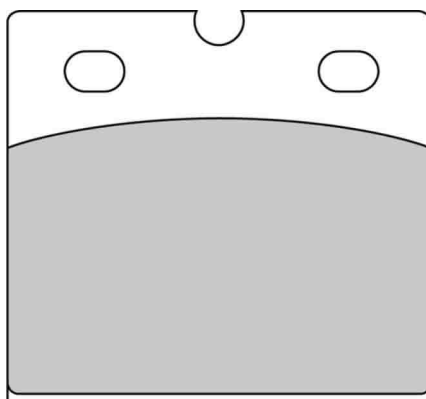
MATERIAL AVAILABILITY						
P	PRP	AG	SG	ST	CP1	XRAC
✓						

FDB108

56.0 x 55.0 x 9.0 mm

APRILIA, BENELLI, BIMOTA, BMW, DUCATI, INDIAN, LAVERDA, MOTO GUZZI, MZ, NORTON, SWM, ZUNDAPP

FRONT / REAR



ALSO AVAILABLE		
SHAPE	TH. MM	NOTES
FDB148	7.6	

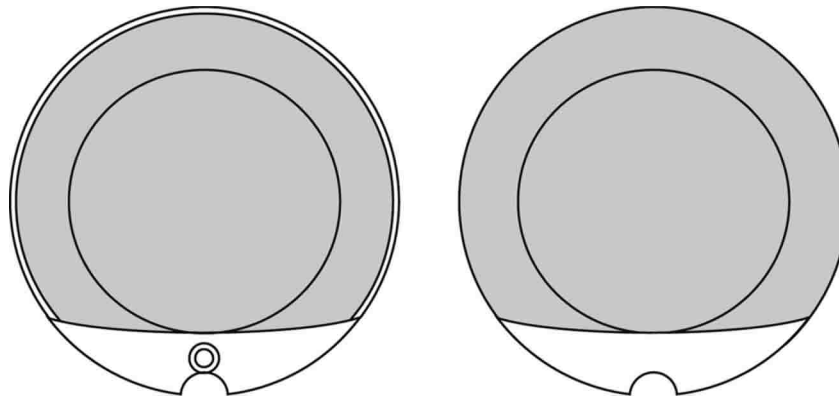
MATERIAL AVAILABILITY						
P	PRP	AG	SG	ST	CP1	XRAC
✓				✓	✓	

FDB119

51.9 x 51.9 x 12.8 mm / 51.9 x 51.9 x 19.7 mm

HONDA

FRONT



MATERIAL AVAILABILITY

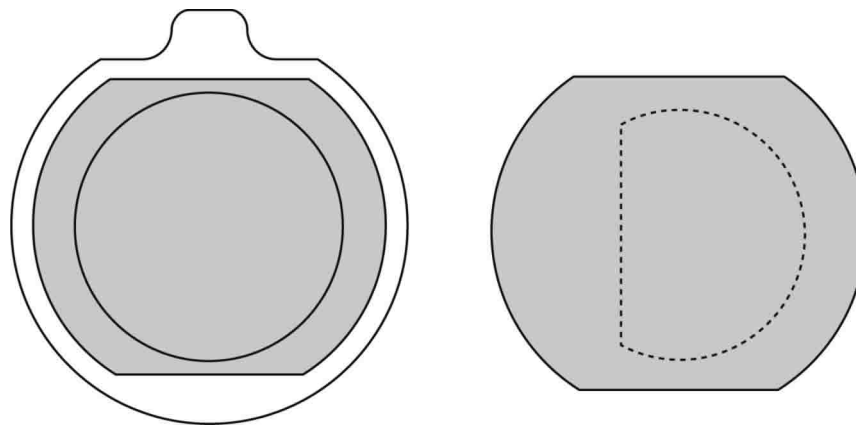
P	PRP	AG	SG	ST	CP1	XRAC
✓						

FDB132

52.0 x 54.0 x 12.3 mm / 50.0 x 41.0 x 12.3 mm

KAWASAKI

FRONT / REAR



MATERIAL AVAILABILITY

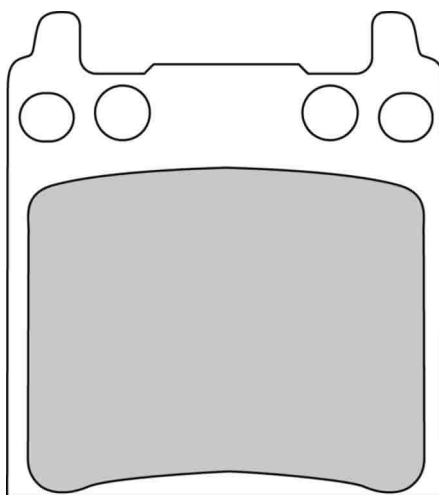
P	PRP	AG	SG	ST	CP1	XRAC
✓						

FDB134

58.0 x 63.0 x 10.4 mm

HONDA

REAR



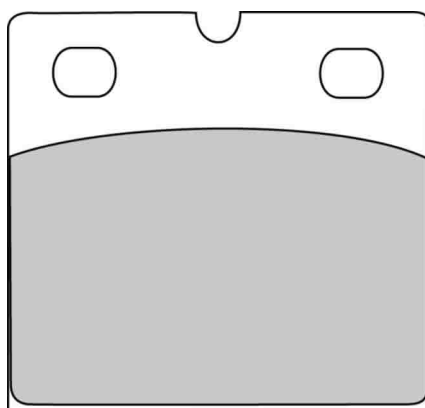
MATERIAL AVAILABILITY						
P	PRP	AG	SG	ST	CP1	XRAC
✓						

FDB148

56.0 x 55.0 x 7.6 mm

DUCATI, LAVERDA, MOTO GUZZI, MZ, TRIUMPH

FRONT / REAR



ALSO AVAILABLE		
SHAPE	TH. MM	NOTES
FDB108	9.0	

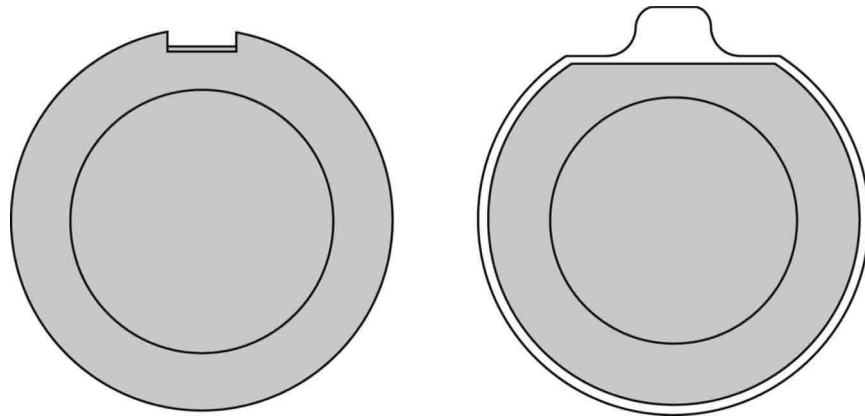
MATERIAL AVAILABILITY						
P	PRP	AG	SG	ST	CP1	XRAC
✓				✓		

FDB150

50.0 x 53.0 x 12.4 mm / 50.0 x 50.0 x 10.5 mm

SUZUKI

FRONT



MATERIAL AVAILABILITY

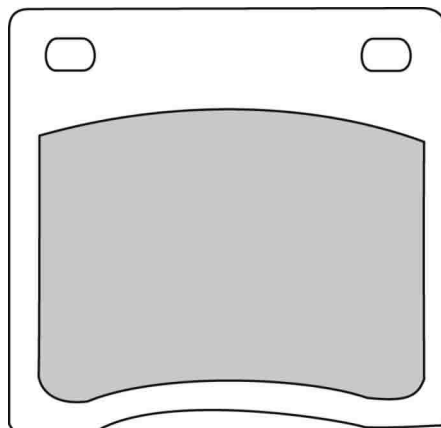
P	PRP	AG	SG	ST	CP1	XRAC
✓						

FDB151

58.0 x 53.0 x 9.0 mm

KAWASAKI, SUZUKI

REAR



MATERIAL AVAILABILITY

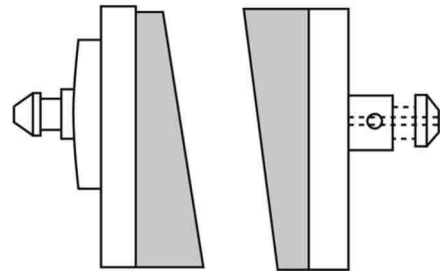
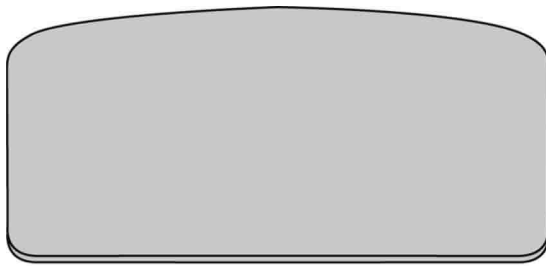
P	PRP	AG	SG	ST	CP1	XRAC
✓	✓			✓		

FDB155

71.6 x 34.0 x 13.5 mm

BMW

FRONT



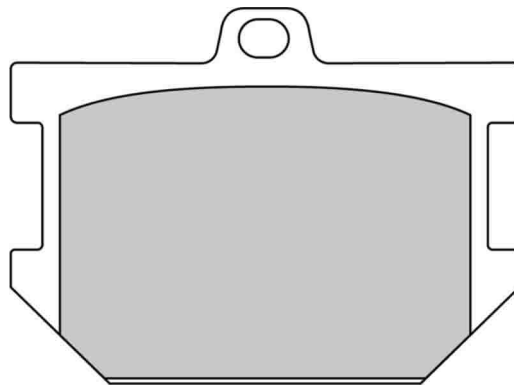
MATERIAL AVAILABILITY						
P	PRP	AG	SG	ST	CP1	XRAC
✓						

FDB177

67.5 x 49.8 x 11.0 mm

YAMAHA

FRONT / REAR



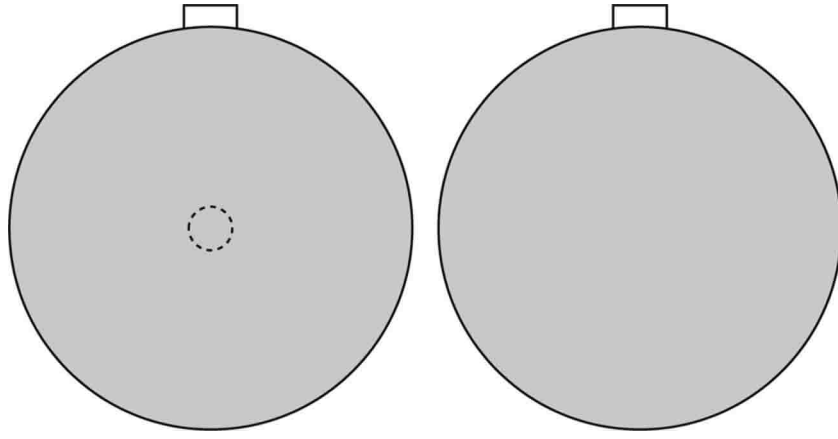
MATERIAL AVAILABILITY						
P	PRP	AG	SG	ST	CP1	XRAC
✓						

FDB178

50.0 x 53.4 x 12.2 mm / 50.0 x 53.5 x 11.7 mm

SUZUKI

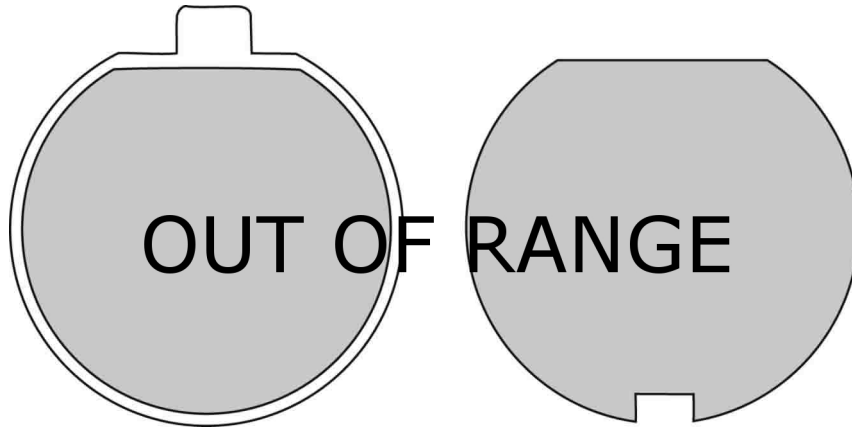
FRONT



MATERIAL AVAILABILITY						
P	PRP	AG	SG	ST	CP1	XRAC
✓						

FDB181

51.3 x 54.7 x 12.4 mm / 49.9 x 44.5 x 12.5 mm



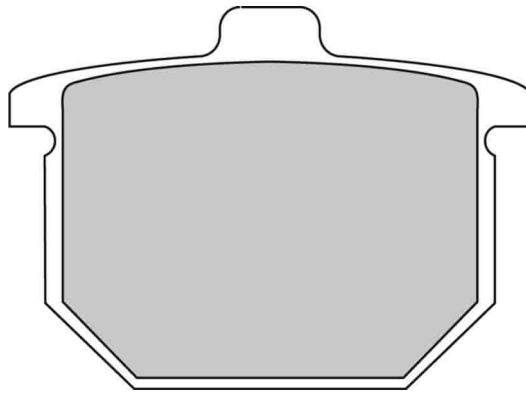
MATERIAL AVAILABILITY						
P	PRP	AG	SG	ST	CP1	XRAC
✗						

FDB182

67.5 x 49.4 x 9.5 mm

HONDA

FRONT / REAR



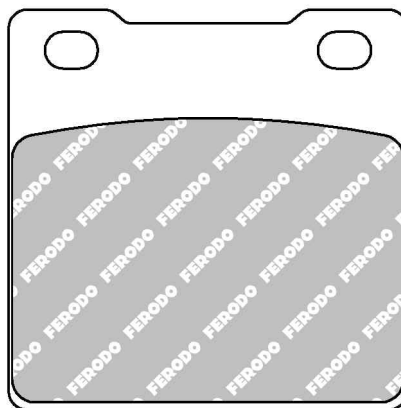
MATERIAL AVAILABILITY						
P	PRP	AG	SG	ST	CP1	XRAC
✓						

FDB183

52.7 x 53.1 x 9.7 mm

HONDA

FRONT



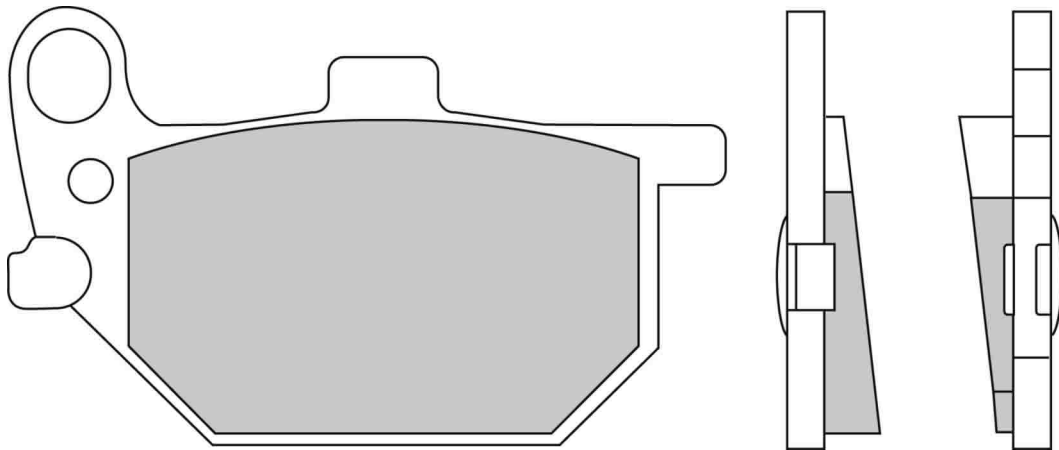
MATERIAL AVAILABILITY						
P	PRP	AG	SG	ST	CP1	XRAC
✓						

FDB184

95.0 x 57.1 x 12.0 mm

YAMAHA

FRONT / REAR



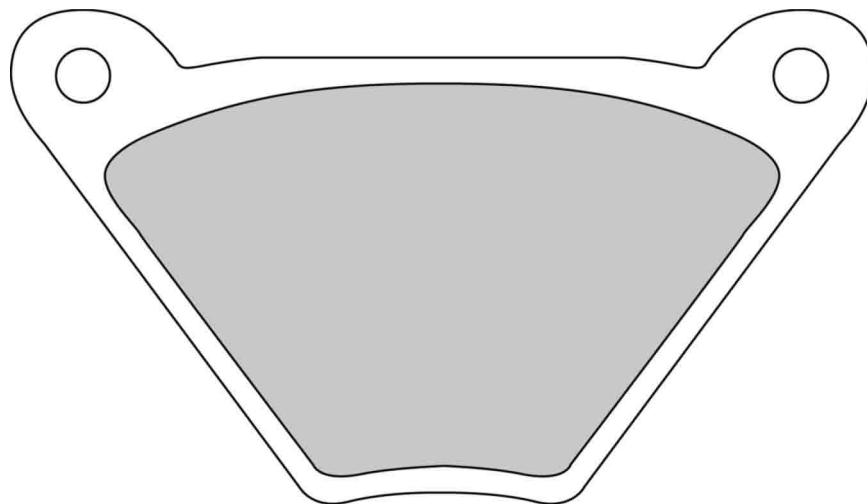
MATERIAL AVAILABILITY						
P	PRP	AG	SG	ST	CP1	XRAC
✓						

FDB185

114.0 x 65.2 x 7.4 mm

HARLEY DAVIDSON

FRONT / REAR



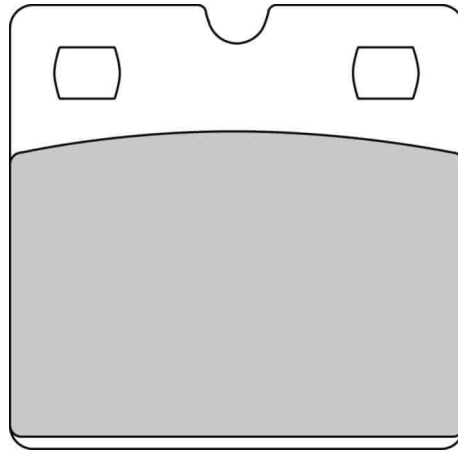
MATERIAL AVAILABILITY						
P	PRP	AG	SG	ST	CP1	XRAC
✓	✓					

FDB204

60.0 x 59.0 x 9.0 mm

APRILIA, BENELLI, BMW, MOTO GUZZI

FRONT / REAR



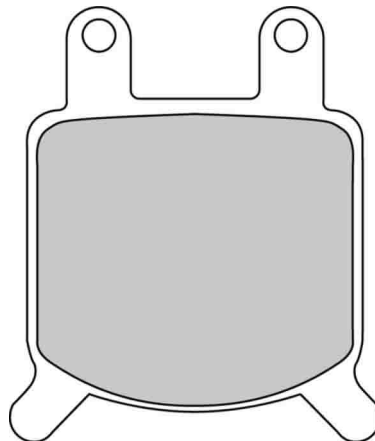
MATERIAL AVAILABILITY						
P	PRP	AG	SG	ST	CP1	XRAC
✓						

FDB205

49.0 x 58.5 x 7.0 mm

ASPES, BETA, GARELLI, GILERA, KREIDLER, MOTO MORINI, ZUNDAPP

FRONT / REAR

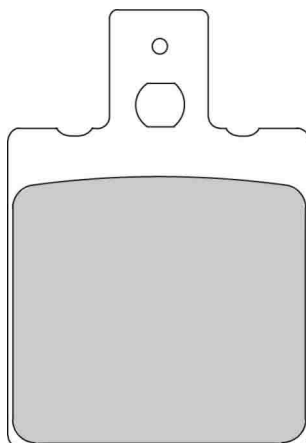


MATERIAL AVAILABILITY						
P	PRP	AG	SG	ST	CP1	XRAC
✓						

FDB207

40.0 x 57.0 x 7.0 mm

ACCOSSATO, ALFER, APRILIA, ATK (USA), BENELLI, BETA, BIMOTA, CAGIVA, CZ, DERBI, DUCATI, FANTIC, GARELLI, GILERA, FRONT / REAR
HERCULES, HRD, HUSQVARNA, ITALJET, KEEWAY, KTM, LAVERDA, MAICO, MALANCA, MONTESA, MONTESA (HONDA), MOTO GUZZI,
MOTO MORINI, MZ, NORTON, PUCH, SWM, TM, TORNAX, TRE SOLDI, YAMAHA, ZUNDAPP

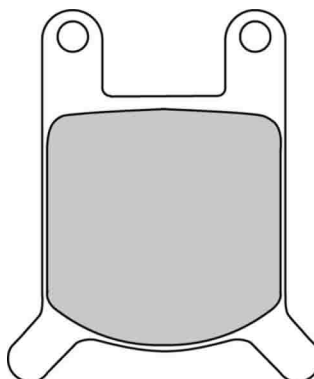


MATERIAL AVAILABILITY						
P	PRP	AG	SG	ST	CP1	XRAC
✓		✓	✗	✓	✓	

FDB213

41.4 x 48.5 x 5.6 mm

ATK (USA), BENELLI, BETA, CASAL, CIMATTI, FANTIC, GARELLI, HERCULES, HERCULES (SACHS), HOREX, MACAL, MALAGUTI, FRONT / REAR
MALANCA, MOTO GUZZI, MOTRON, OSSA, PUCH, REAL, RIXE, ZUNDAPP



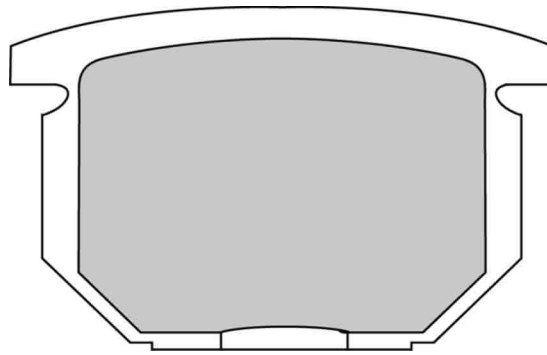
MATERIAL AVAILABILITY						
P	PRP	AG	SG	ST	CP1	XRAC
✓						

FDB217

72.0 x 45.0 x 11.4 mm

SUZUKI

FRONT



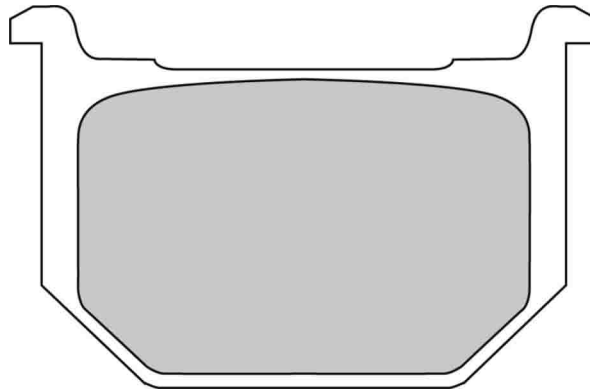
MATERIAL AVAILABILITY						
P	PRP	AG	SG	ST	CP1	XRAC
✓						

FDB218

78.0 x 50.0 x 10.8 mm

SUZUKI

FRONT



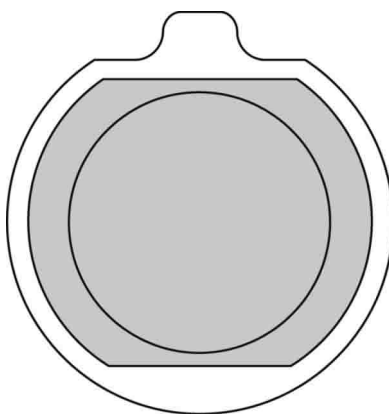
MATERIAL AVAILABILITY						
P	PRP	AG	SG	ST	CP1	XRAC
✓				✗		

FDB220

51.0 x 55.0 x 12.2 mm

KAWASAKI

FRONT



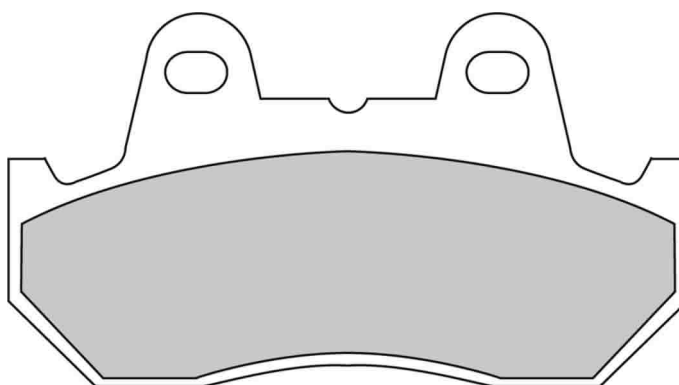
MATERIAL AVAILABILITY						
P	PRP	AG	SG	ST	CP1	XRAC
✓				✓		

FDB244

90.0 x 49.0 x 10.5 mm

HONDA, KAWASAKI

FRONT / REAR



ALSO AVAILABLE		
SHAPE	TH. MM	NOTES
FDB538	9.0	
FDB665	11.0	

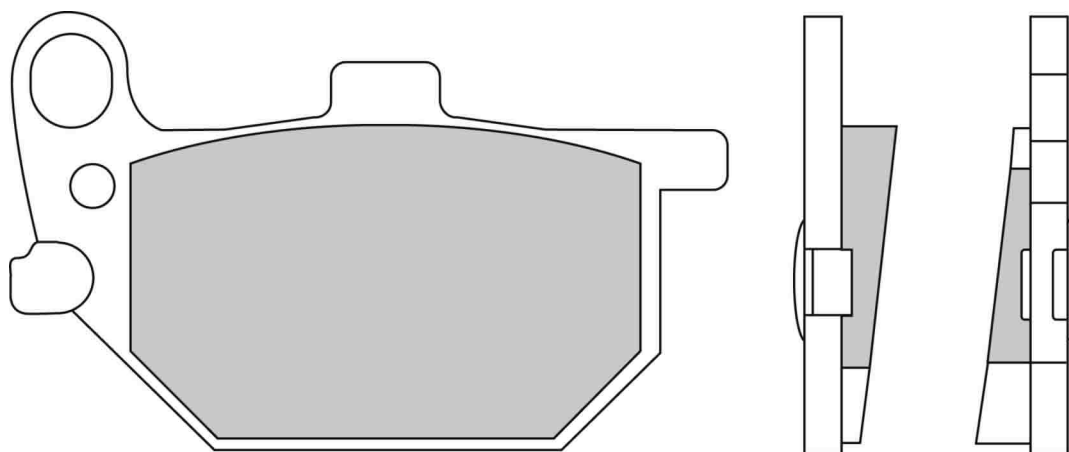
MATERIAL AVAILABILITY						
P	PRP	AG	SG	ST	CP1	XRAC
✓				✓		

FDB247

95.0 x 56.0 x 12.0 mm

YAMAHA

FRONT



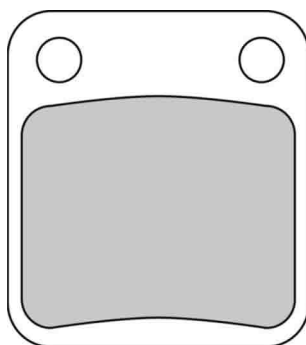
MATERIAL AVAILABILITY						
P	PRP	AG	SG	ST	CP1	XRAC
✓						

FDB250

40.0 x 45.0 x 7.3 mm

CAGIVA, DAELIM, HONDA, HONDA 3 WHEELERS, HUSQVARNA, HYOSUNG ATV, KAWASAKI, KAWASAKI ATV, KEEWAY, MOTRON, PEUGEOT, PGO ATV, QUADZILLA, SINNIS, SUZUKI, SUZUKI ATV, SYM ATV, UM ATV, YAMAHA ATV

FRONT / REAR



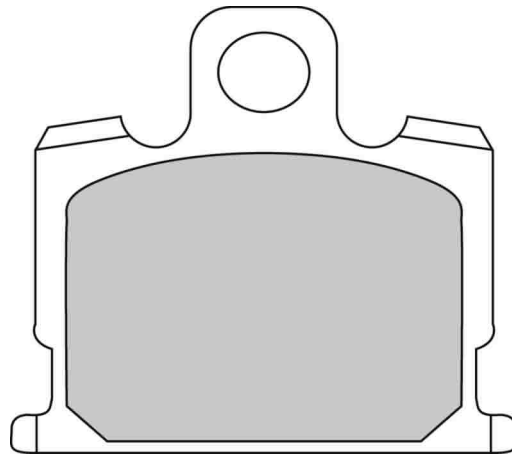
MATERIAL AVAILABILITY						
P	PRP	AG	SG	ST	CP1	XRAC
✓		✓	✓			

FDB277

65.1 x 59.8 x 10.4 mm

YAMAHA

FRONT



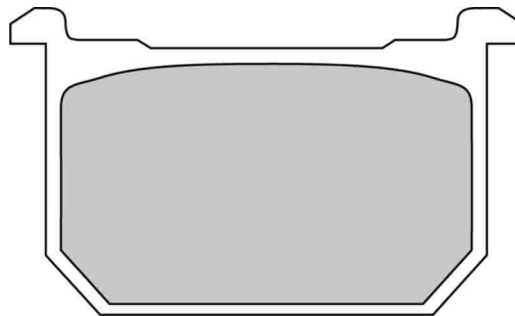
MATERIAL AVAILABILITY						
P	PRP	AG	SG	ST	CP1	XRAC
✓						

FDB298

68.0 x 41.0 x 9.6 mm

KAWASAKI

FRONT / REAR



ALSO AVAILABLE		
SHAPE	TH. MM	NOTES
FDB299	8.2	

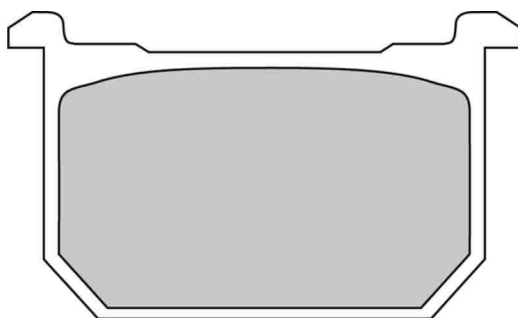
MATERIAL AVAILABILITY						
P	PRP	AG	SG	ST	CP1	XRAC
✓						

FDB299

68.0 x 41.0 x 8.2 mm

KAWASAKI

FRONT / REAR



ALSO AVAILABLE

SHAPE	TH. MM	NOTES
FDB298	9.6	

MATERIAL AVAILABILITY

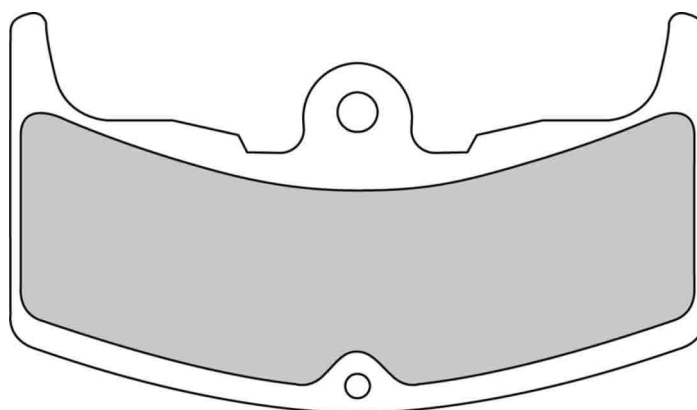
P	PRP	AG	SG	ST	CP1	XRAC
✓						

FDB310

92.0 x 53.0 x 8.4 mm

HONDA

FRONT / REAR



MATERIAL AVAILABILITY

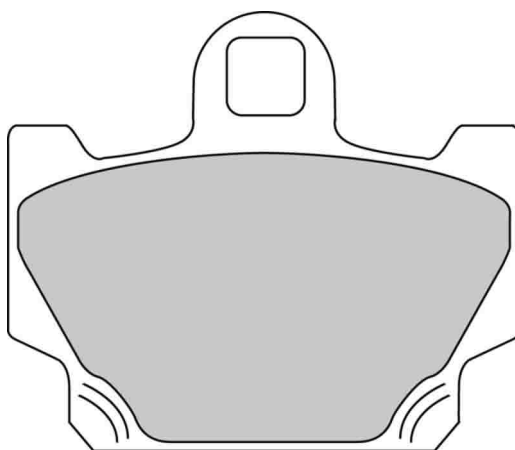
P	PRP	AG	SG	ST	CP1	XRAC
✓						

FDB311

67.8 x 58.7 x 8.4 mm

YAMAHA

FRONT

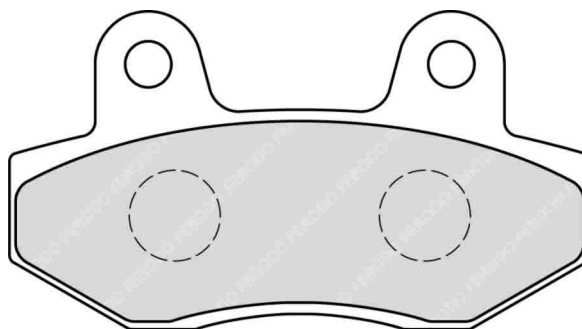


MATERIAL AVAILABILITY						
P	PRP	AG	SG	ST	CP1	XRAC
✓						

FDB312

77.0 x 42.0 x 6.8 mm

BETA, CFMOTO, DAELIM, HONDA, HYOSUNG, ITALJET, JONWAY, KEEWAY, KSR MOTO BY GENERIC, KYMCO, LAMBRETTA, PEUGEOT, FRONT / REAR SINNIS



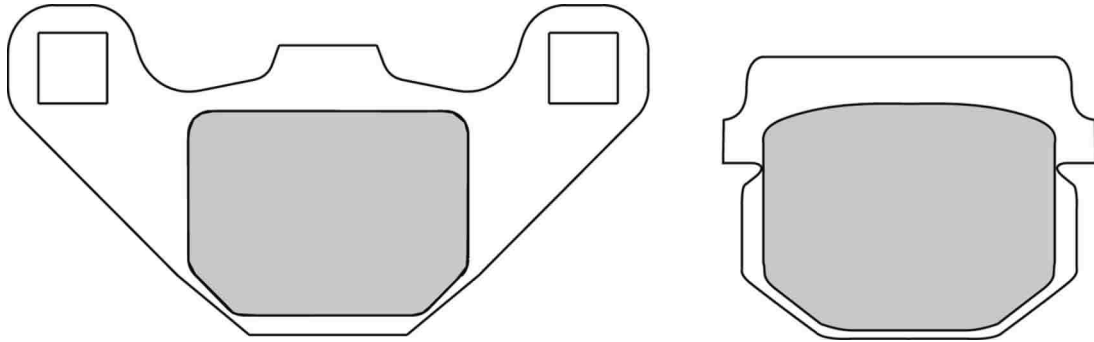
MATERIAL AVAILABILITY						
P	PRP	AG	SG	ST	CP1	XRAC
✓				✓		

FDB313

85.0 x 43.0 x 6.9 mm / 48.0 x 37.0 x 9.1 mm

ADLY, ADLY ATV, APRILIA, BOMBARDIER ATV, CAN AM ATV, CPI, DINLI ATV, E-TON ATV, HONDA, HYOSUNG, KAWASAKI, KAWASAKI 3 WHEELERS, KAWASAKI ATV, KEEWAY, KSR MOTO BY GENERIC, MALAGUTI, PEUGEOT, PGO, PGO ATV, PIAGGIO, POLARIS ATV, QUADZILLA, SHERCO, SUZUKI, TGB, TGB ATV, TM, UM ATV, YAMAHA ATV

FRONT / REAR



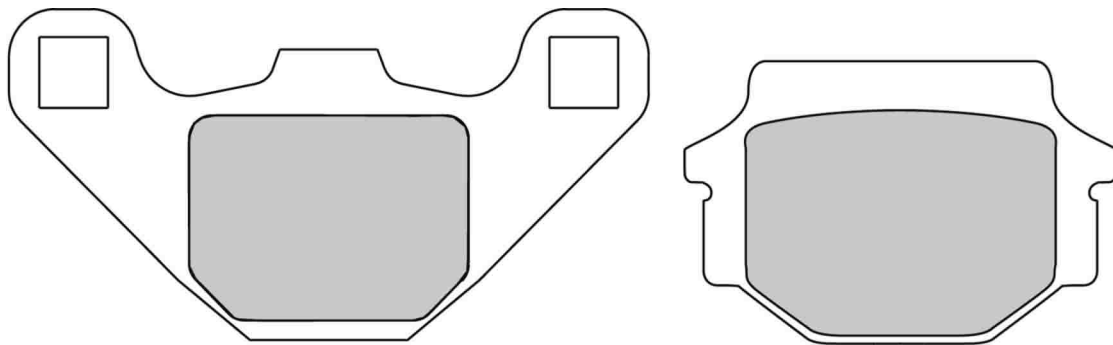
MATERIAL AVAILABILITY						
P	PRP	AG	SG	ST	CP1	XRAC
✓		✓	✓			

FDB314

85.0 x 43.0 x 7.7 mm / 56.0 x 37.0 x 10.0 mm

ALFER, APRILIA, BUELL, GASGAS, HUSABERG, HUSQVARNA, KAWASAKI, KAWASAKI 3 WHEELERS, KAWASAKI ATV, KTM, KYMCO, QUADZILLA, SUZUKI, TGB ATV, TM, YAMAHA, YAMAHA ATV

FRONT / REAR



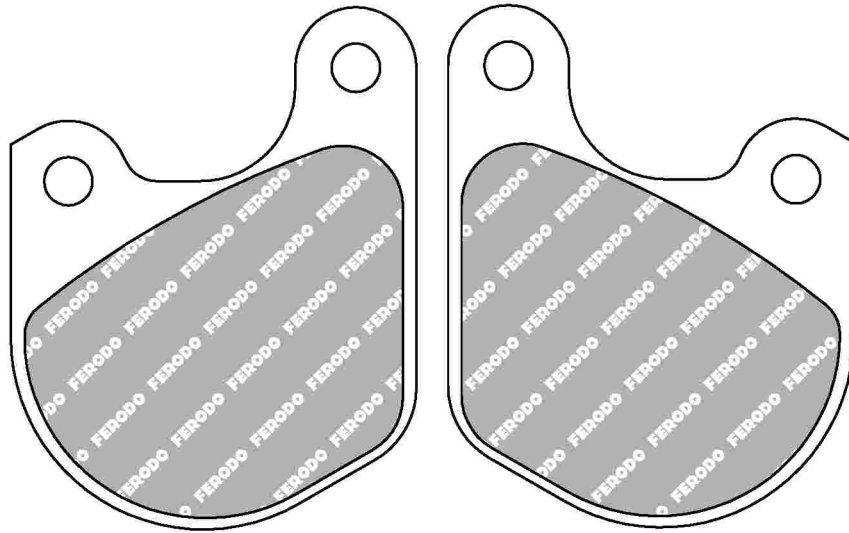
MATERIAL AVAILABILITY						
P	PRP	AG	SG	ST	CP1	XRAC
✓			✓	✓		

FDB333

53.7 x 69.0 x 6.5 mm

HARLEY DAVIDSON

FRONT



MATERIAL AVAILABILITY

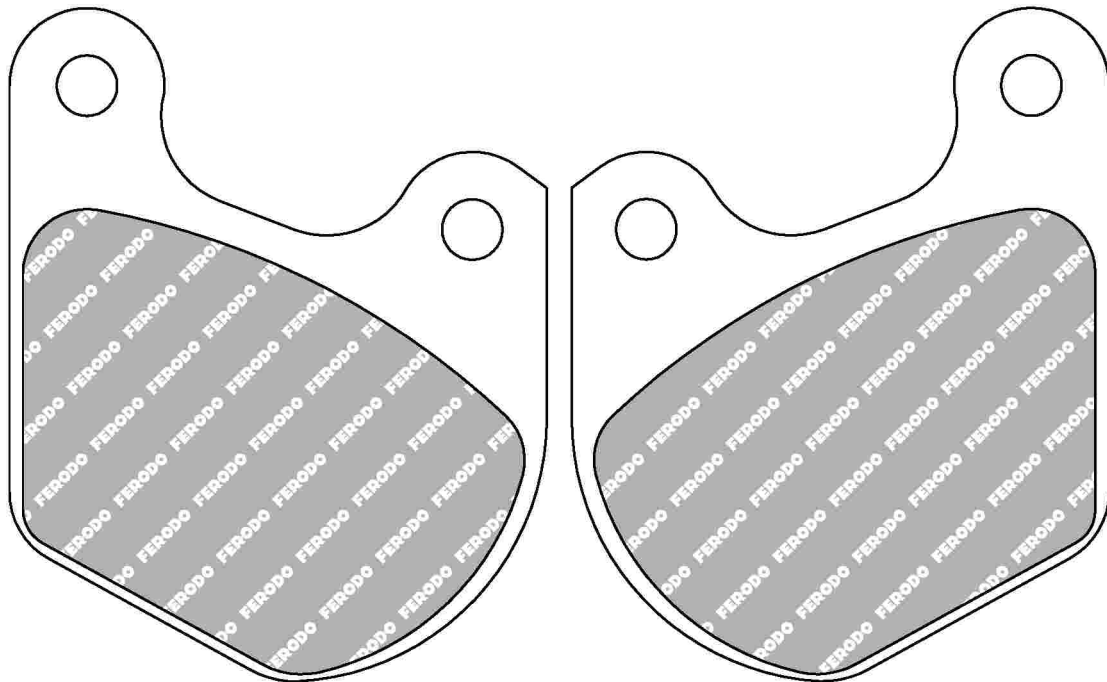
P	PRP	AG	SG	ST	CP1	XRAC
✓	✓					

FDB334

71.1 x 89.3 x 6.5 mm

HARLEY DAVIDSON

FRONT / REAR



MATERIAL AVAILABILITY

P	PRP	AG	SG	ST	CP1	XRAC
✓	✗					

For BUYER'S GUIDE see page 3000

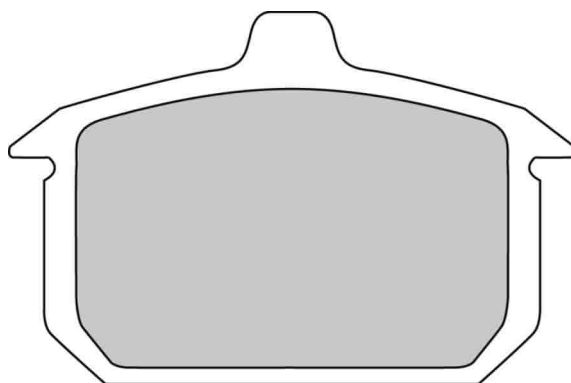
For CROSS REFERENCES see pages 7000 (pads) and 8000 (shoes)

FDB335

75.0 x 49.0 x 11.9 mm

HARLEY DAVIDSON

REAR



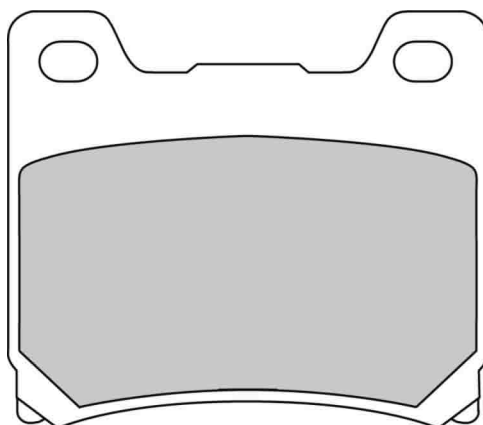
MATERIAL AVAILABILITY						
P	PRP	AG	SG	ST	CP1	XRAC
✓	✓					

FDB337

63.7 x 54.5 x 9.7 mm

NORTON, YAMAHA

FRONT / REAR



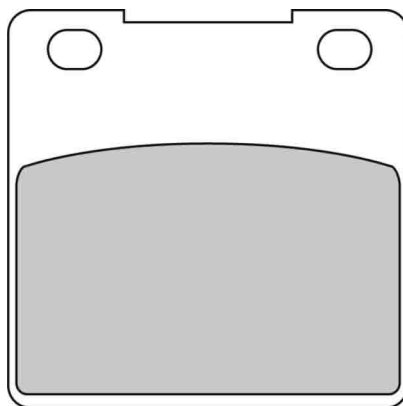
MATERIAL AVAILABILITY						
P	PRP	AG	SG	ST	CP1	XRAC
✓				✓		

FDB338

53.0 x 53.0 x 9.0 mm

KAWASAKI, SUZUKI

FRONT / REAR



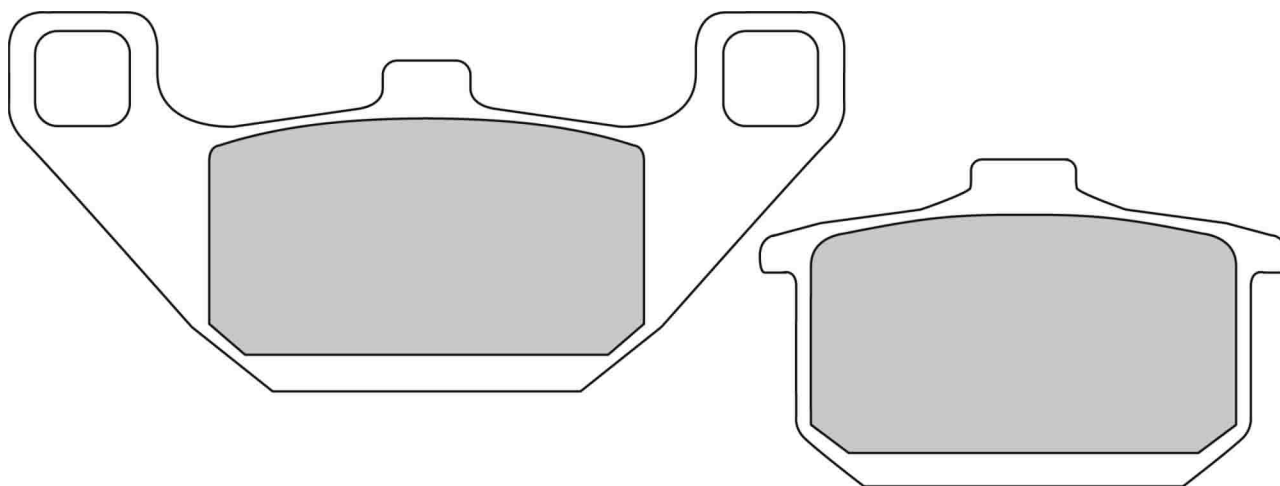
MATERIAL AVAILABILITY						
P	PRP	AG	SG	ST	CP1	XRAC
✓				✓		

FDB339

111.0 x 51.0 x 9.4 mm / 68.0 x 43.0 x 9.8 mm

HYOSUNG, KAWASAKI

FRONT / REAR



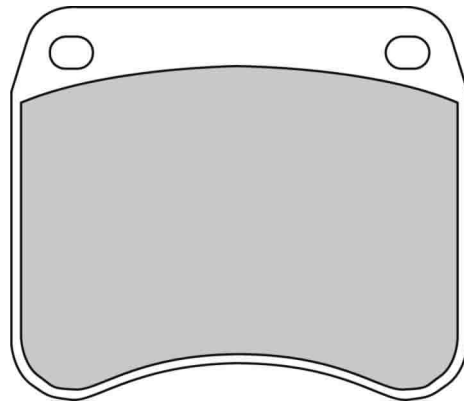
MATERIAL AVAILABILITY						
P	PRP	AG	SG	ST	CP1	XRAC
✓				✓		

FDB342

59.5 x 51.5 x 10.2 mm

DUCATI, TRIUMPH

FRONT / REAR



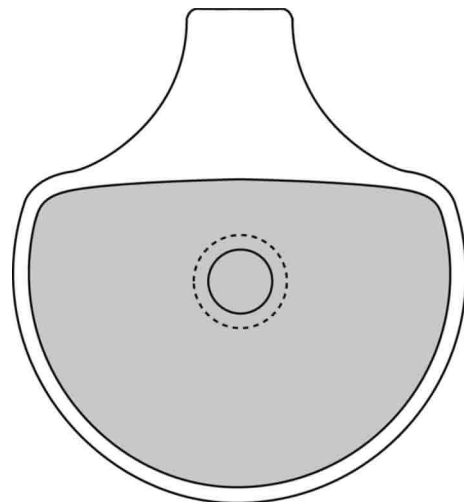
MATERIAL AVAILABILITY						
P	PRP	AG	SG	ST	CP1	XRAC
✓				✗	✓	

FDB352

59.2 x 61.8 x 13.0 mm

HARLEY DAVIDSON, PGO

FRONT

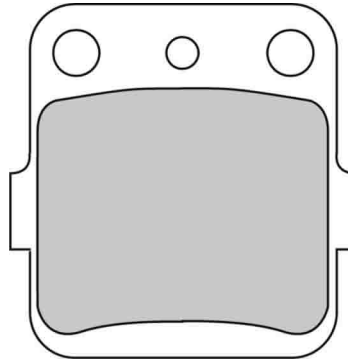


MATERIAL AVAILABILITY						
P	PRP	AG	SG	ST	CP1	XRAC
✓	✓			✓		

FDB381

46.0 x 45.0 x 7.3 mm

ARCTIC CAT ATV, HONDA 3 WHEELERS, HONDA ATV, HUSQVARNA, KAWASAKI, KAWASAKI 3 WHEELERS, KAWASAKI ATV, KYMCO FRONT / REAR
ATV, SUZUKI, SUZUKI ATV, YAMAHA ATV



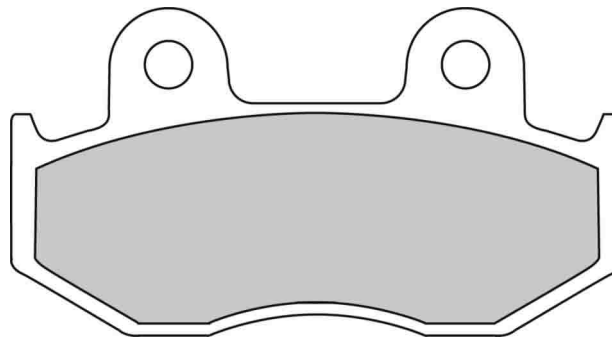
MATERIAL AVAILABILITY						
P	PRP	AG	SG	ST	CP1	XRAC
✓			✓			

FDB382

81.0 x 42.0 x 7.3 mm

HONDA, HONDA 3 WHEELERS, HONDA ATV

FRONT / REAR



ALSO AVAILABLE		
SHAPE	TH. MM	NOTES
FDB2086	8.3	
FDB2119	9.0	
FDB2132	8.3	pin on the backplate

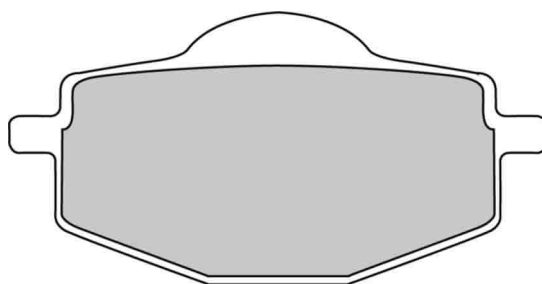
MATERIAL AVAILABILITY						
P	PRP	AG	SG	ST	CP1	XRAC
✓			✓			

FDB383

71.0 x 36.0 x 9.4 mm

ADLY, BETA, CFMOTO, GILERA, ITALJET, LINHAI, MALAGUTI, MBK, SACHS, YAMAHA, YAMAHA 3 WHEELERS, YAMAHA ATV

FRONT / REAR



ALSO AVAILABLE

SHAPE	TH. MM	NOTES
FDB475	8.0	

MATERIAL AVAILABILITY

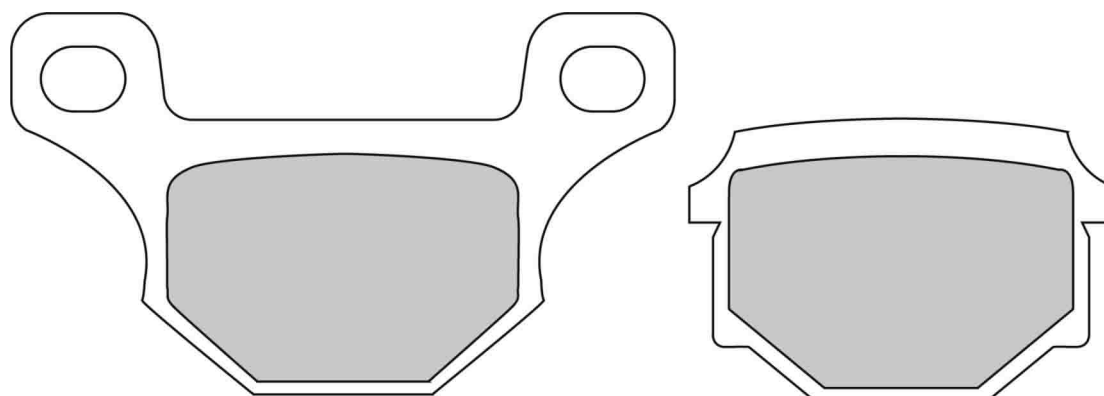
P	PRP	AG	SG	ST	CP1	XRAC
✓		✓	✓			

FDB384

88.1 x 49.1 x 7.5 mm / 56.1 x 36.1 x 10.0 mm

AJP, APRILIA, CFMOTO, DERBI, KEEWAY, PEUGEOT, RIEJU, SHERCO, SINNIS, SUZUKI, TGB

FRONT / REAR



MATERIAL AVAILABILITY

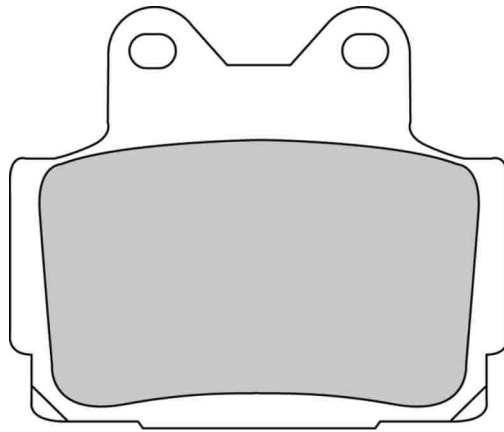
P	PRP	AG	SG	ST	CP1	XRAC
✓						

FDB386

66.0 x 56.0 x 8.8 mm

YAMAHA

FRONT / REAR



MATERIAL AVAILABILITY

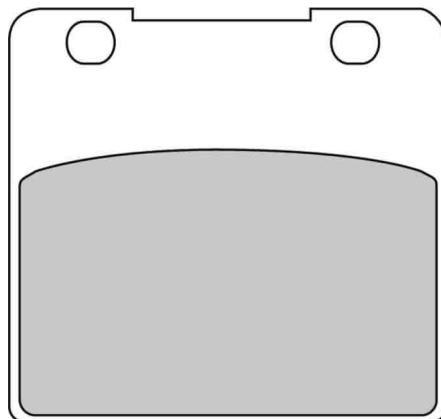
P	PRP	AG	SG	ST	CP1	XRAC
✓				✓		

FDB389

58.0 x 54.0 x 8.7 mm

SUZUKI

FRONT / REAR



MATERIAL AVAILABILITY

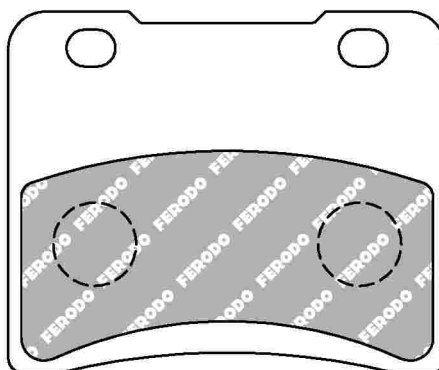
P	PRP	AG	SG	ST	CP1	XRAC
✓				✓		

FDB390

58.0 x 47.9 x 8.8 mm

SUZUKI

FRONT / REAR



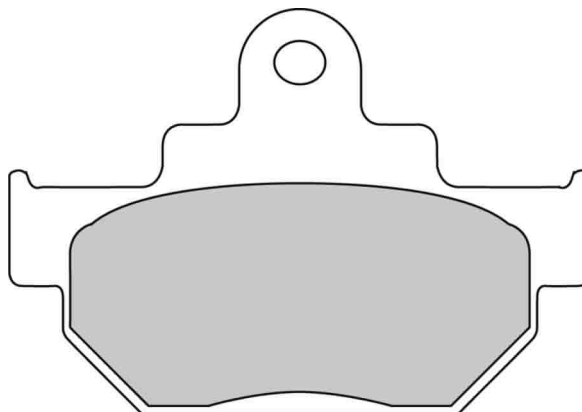
MATERIAL AVAILABILITY						
P	PRP	AG	SG	ST	CP1	XRAC
✓						

FDB404

77.0 x 54.0 x 7.1 mm

MAICO, SUZUKI

FRONT / REAR



ALSO AVAILABLE		
SHAPE	TH. MM	NOTES
FDB673	9.4	

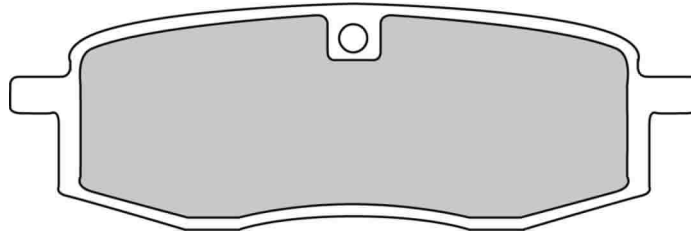
MATERIAL AVAILABILITY						
P	PRP	AG	SG	ST	CP1	XRAC
✓						

FDB411

91.0 x 30.0 x 8.4 mm

YAMAHA

FRONT



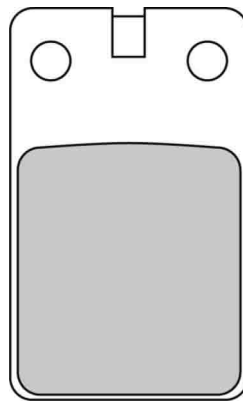
MATERIAL AVAILABILITY						
P	PRP	AG	SG	ST	CP1	XRAC
✓						

FDB436

31.5 x 52.0 x 5.5 mm

BENELLI, BETA, CIMATTI, FANTIC, GARELLI, GASGAS, GILERA, MALAGUTI, MONTESA, TOMOS, TRE SOLDI, ZUNDAPP

FRONT / REAR



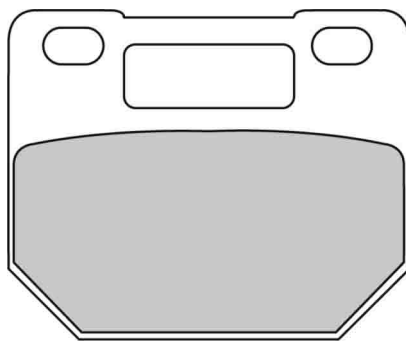
MATERIAL AVAILABILITY						
P	PRP	AG	SG	ST	CP1	XRAC
✓						

FDB437

53.0 x 44.0 x 7.0 mm

SUZUKI

FRONT



MATERIAL AVAILABILITY

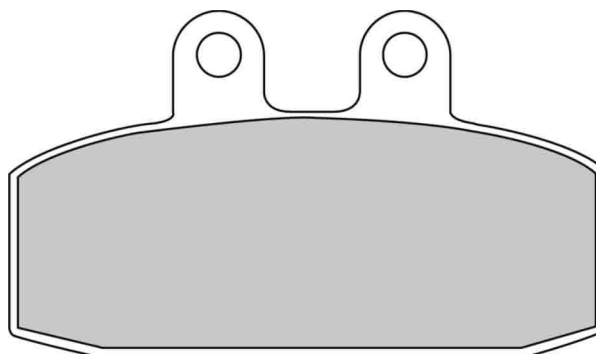
P	PRP	AG	SG	ST	CP1	XRAC
✓						

FDB438

79.0 x 47.0 x 7.4 mm

APRILIA, CAGIVA, FANTIC, GARELLI, GASGAS, GILERA, HONDA, HONDA-HM ITALIA, MALAGUTI, MOTO MORINI, MOTORHISPANIA, PUCH, YAMAHA

FRONT / REAR



ALSO AVAILABLE

SHAPE	TH. MM	NOTES
FDB2060		Material swept depth different

MATERIAL AVAILABILITY

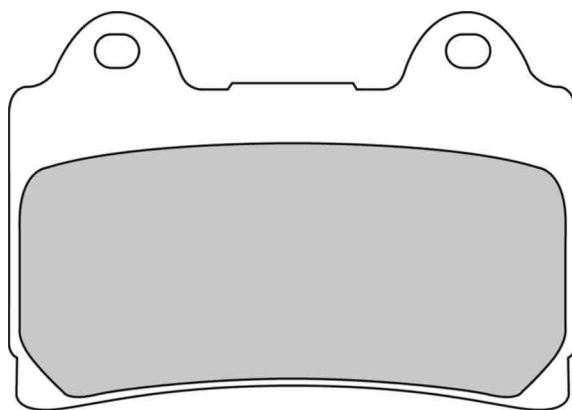
P	PRP	AG	SG	ST	CP1	XRAC
✓		✓				

FDB449

75.0 x 54.0 x 10.7 mm

YAMAHA

FRONT / REAR



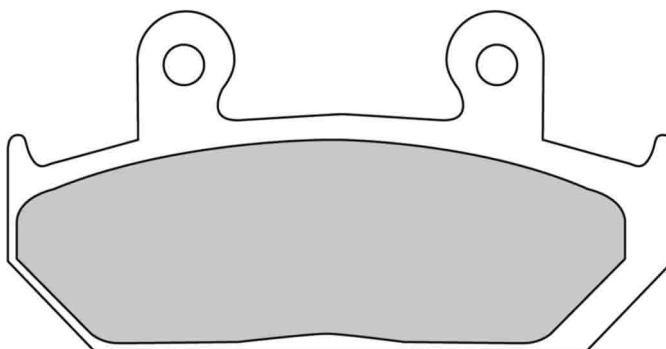
MATERIAL AVAILABILITY						
P	PRP	AG	SG	ST	CP1	XRAC
✓				✓		

FDB452

88.1 x 46.1 x 8.5 mm

HONDA

FRONT



ALSO AVAILABLE		
SHAPE	TH. MM	NOTES
FDB2173	8.5	pin on the backplate
FDB663	9.8	

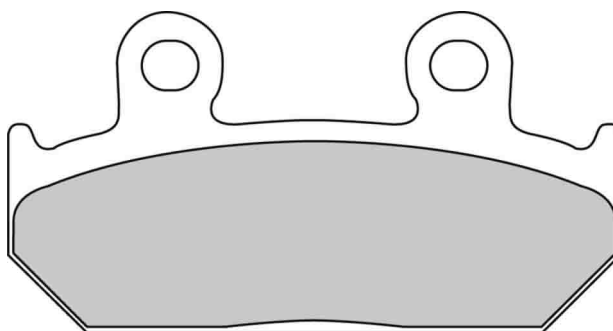
MATERIAL AVAILABILITY						
P	PRP	AG	SG	ST	CP1	XRAC
✓				✓		

FDB462

81.2 x 42.0 x 8.0 mm

HONDA

FRONT



ALSO AVAILABLE

SHAPE	TH. MM	NOTES
FDB2113	9.5	

MATERIAL AVAILABILITY

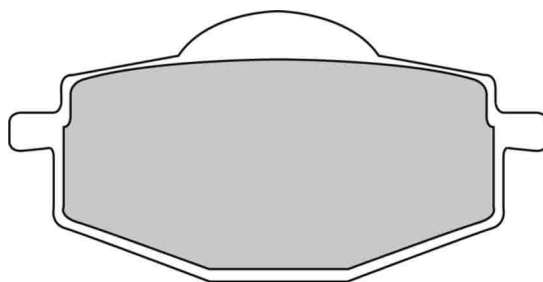
P	PRP	AG	SG	ST	CP1	XRAC
✓				✓		

FDB475

71.0 x 36.0 x 8.0 mm

HONDA-HM ITALIA, YAMAHA

FRONT / REAR



ALSO AVAILABLE

SHAPE	TH. MM	NOTES
FDB383	9.4	

MATERIAL AVAILABILITY

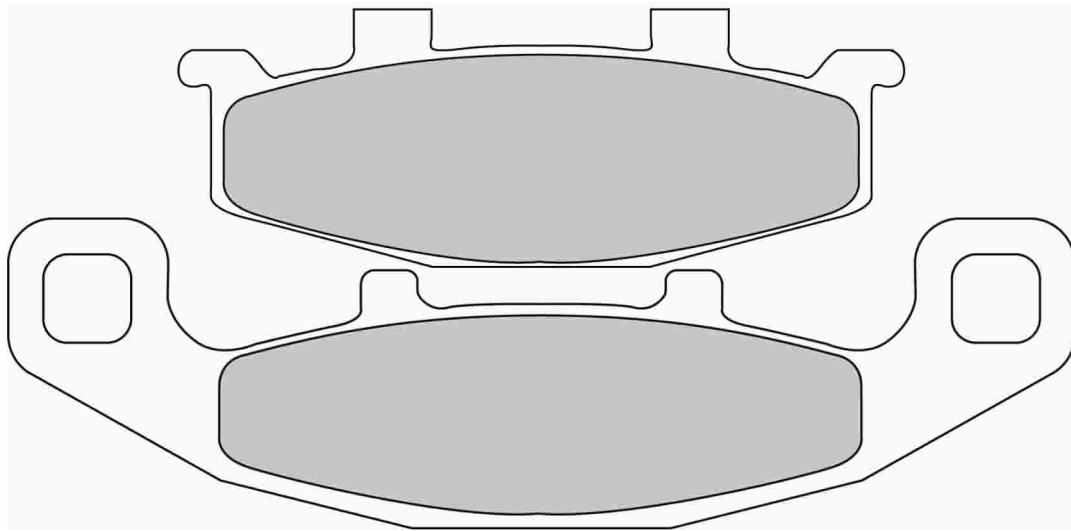
P	PRP	AG	SG	ST	CP1	XRAC
		✓				

FDB481

95.0 x 35.0 x 8.8 mm / 141.0 x 42.0 x 8.3 mm

KAWASAKI, SUZUKI

FRONT / REAR



MATERIAL AVAILABILITY

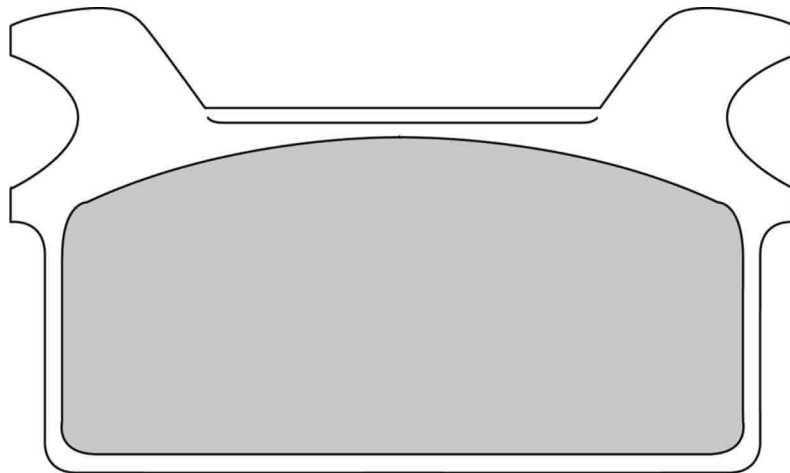
P	PRP	AG	SG	ST	CP1	XRAC
✓				✓		

FDB485

104.0 x 62.0 x 12.4 mm

HARLEY DAVIDSON, HONDA

FRONT / REAR



MATERIAL AVAILABILITY

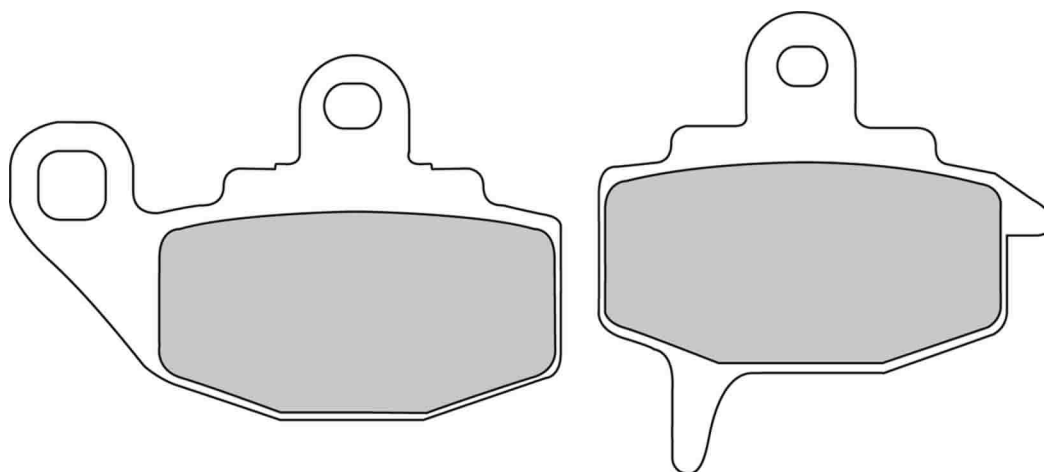
P	PRP	AG	SG	ST	CP1	XRAC
✓	✓					

FDB494

73.0 x 49.0 x 6.6 mm / 61.0 x 63.0 x 8.9 mm

KAWASAKI

FRONT



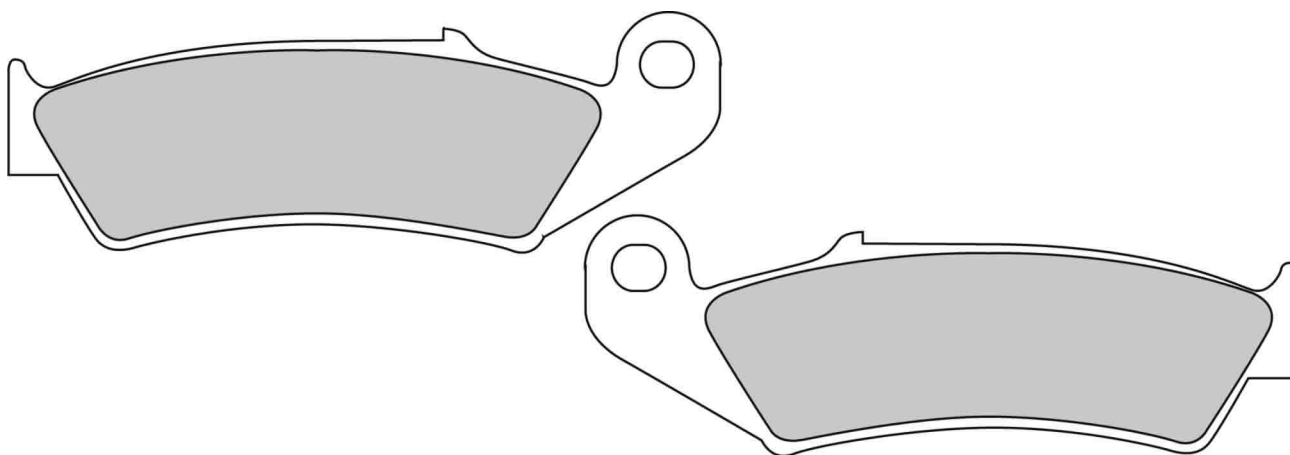
MATERIAL AVAILABILITY						
P	PRP	AG	SG	ST	CP1	XRAC
✓						

FDB495

94.5 x 32.1 x 7.1 mm

HONDA, HONDA 3 WHEELERS, HONDA ATV

FRONT



ALSO AVAILABLE		
SHAPE	TH. MM	NOTES
FDB496	10.5	

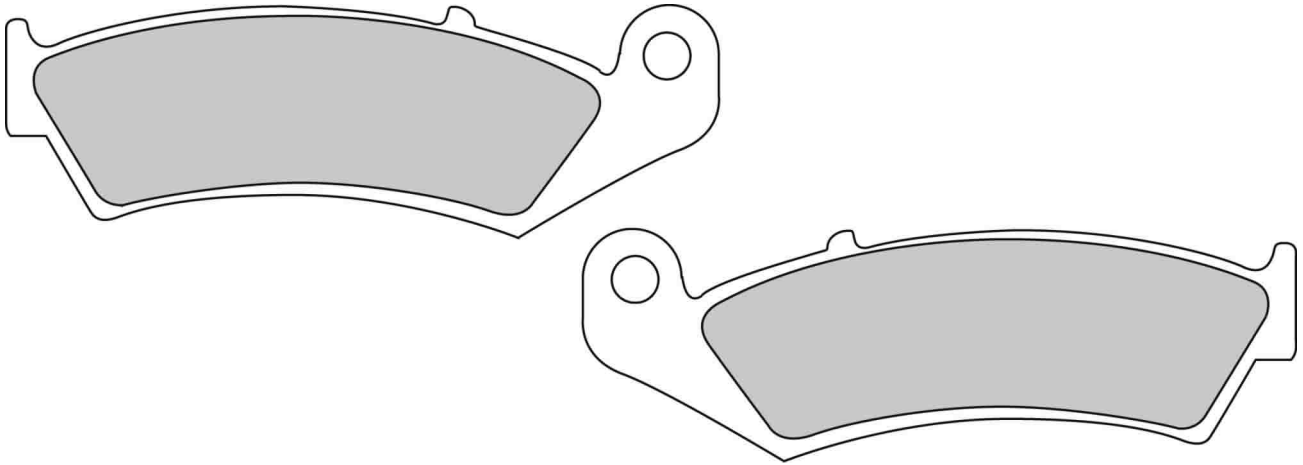
MATERIAL AVAILABILITY						
P	PRP	AG	SG	ST	CP1	XRAC
✓			✓			

FDB496

94.5 x 32.1 x 10.6 mm

HONDA, KAWASAKI

REAR



ALSO AVAILABLE		
SHAPE	TH. MM	NOTES
FDB495	7.0	

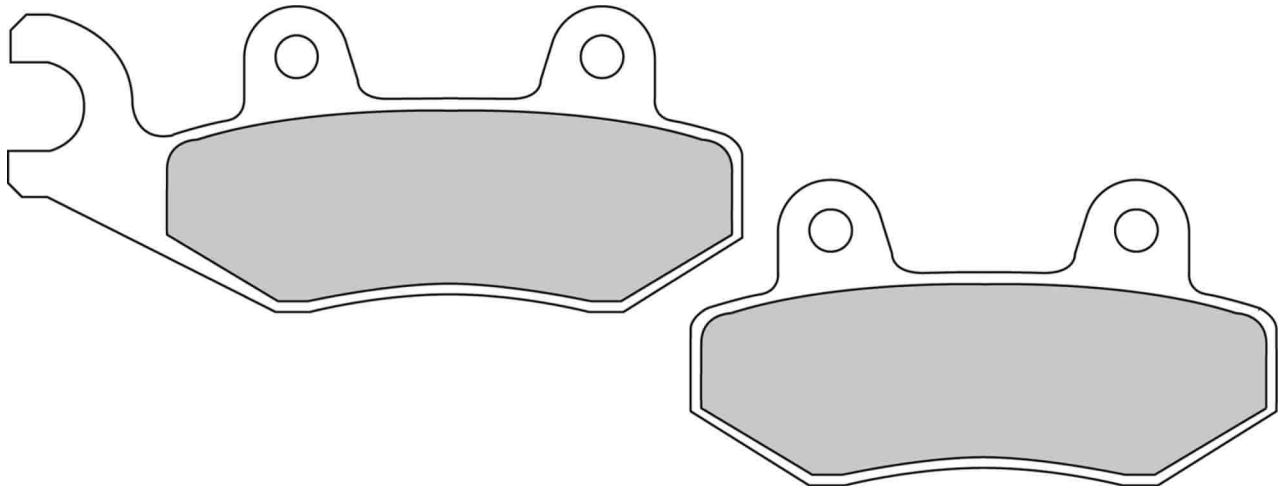
MATERIAL AVAILABILITY						
P	PRP	AG	SG	ST	CP1	XRAC
✓						

FDB497

96.6 x 42.0 x 7.6 mm / 77.0 x 42.0 x 7.6 mm

ATK (USA), BENELLI, CAGIVA, CFMOTO, DERBI, HONDA, HUSQVARNA, HYOSUNG, KAWASAKI, KAWASAKI ATV, KEEWAY, KSR MOTO BY GENERIC, KYMCO, MALAGUTI, PEUGEOT, PIAGGIO, QUADZILLA, ROYAL ENFIELD, SINNIS, SUZUKI, SUZUKI ATV, SYM, TRIUMPH, YAMAHA, YAMAHA ATV

FRONT / REAR



ALSO AVAILABLE		
SHAPE	TH. MM	NOTES
FDB631		Coupled set

MATERIAL AVAILABILITY						
P	PRP	AG	SG	ST	CP1	XRAC
✓		✓	✓	✓		

For BUYER'S GUIDE see page 3000

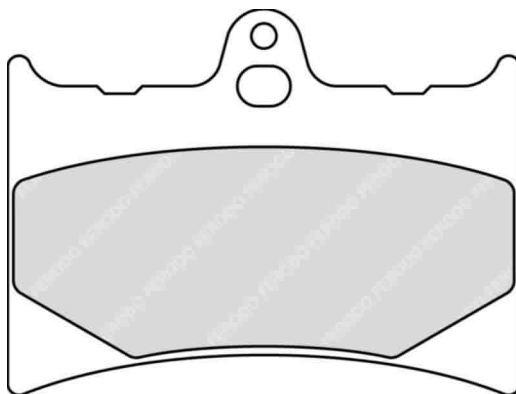
For CROSS REFERENCES see pages 7000 (pads) and 8000 (shoes)

FDB498

67.6 x 50.9 x 7.1 mm

ALFER, APRILIA, ATK (USA), BENELLI, GILERA, KTM, MOTO GUZZI, MZ, SACHS

FRONT / REAR



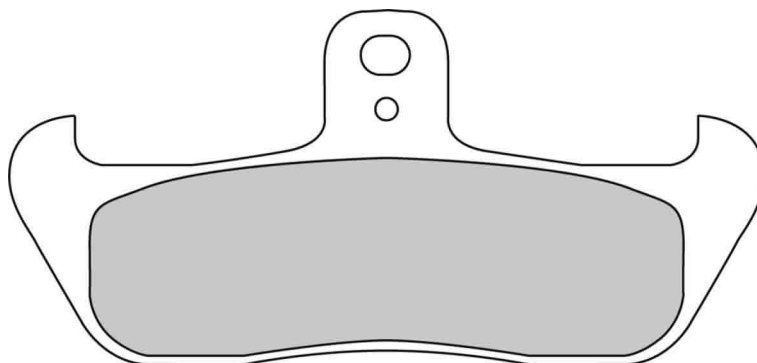
MATERIAL AVAILABILITY						
P	PRP	AG	SG	ST	CP1	XRAC
✓				✓		✓

FDB499

100.0 x 47.0 x 8.5 mm

ALFER, APRILIA, CAGIVA, GILERA, HONDA-HM ITALIA, HUSABERG, HUSQVARNA, KRAM IT, LAVERDA, MOTO MORINI, TM, YAMAHA

FRONT



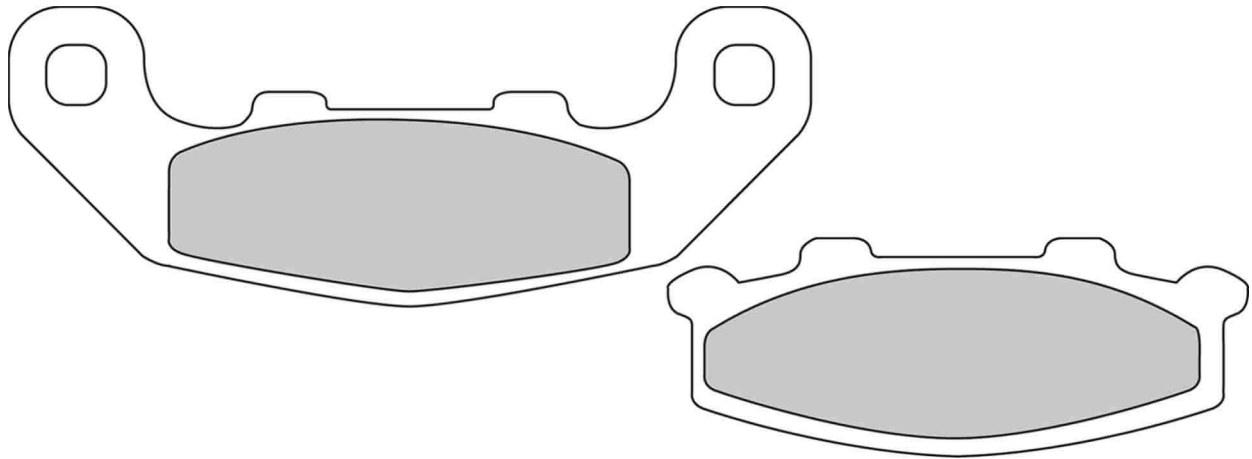
MATERIAL AVAILABILITY						
P	PRP	AG	SG	ST	CP1	XRAC
✓						

FDB508

106.0 x 39.0 x 8.3 mm / 76.0 x 27.0 x 9.7 mm

KAWASAKI, SUZUKI

FRONT / REAR



MATERIAL AVAILABILITY

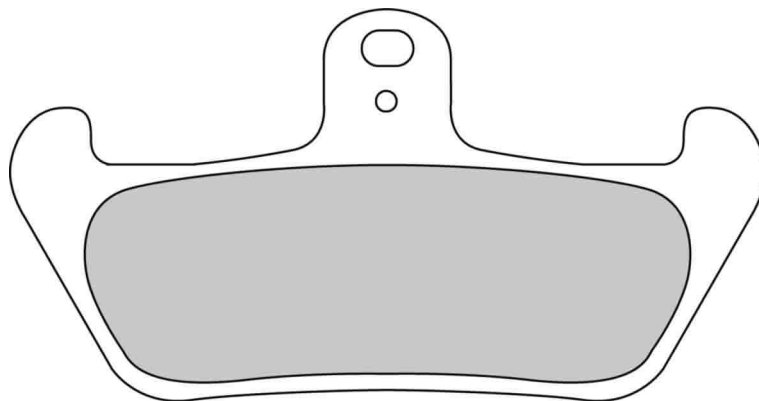
P	PRP	AG	SG	ST	CP1	XRAC
✓						

FDB529

100.0 x 52.0 x 7.8 mm

APRILIA, CAGIVA, GILERA, MOTO MORINI, SUZUKI

FRONT / REAR



MATERIAL AVAILABILITY

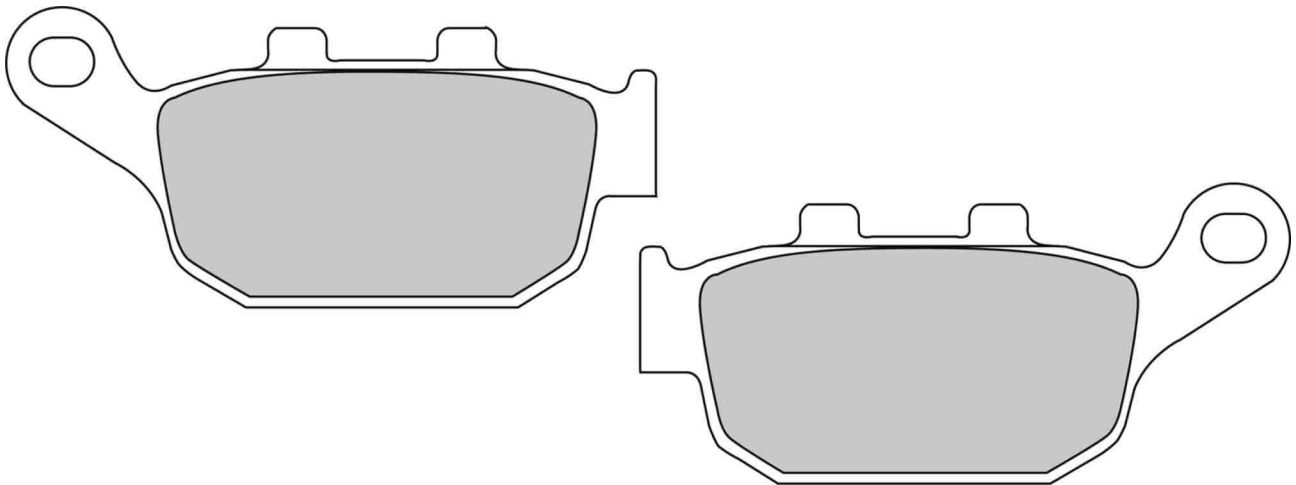
P	PRP	AG	SG	ST	CP1	XRAC
✓						

FDB531

86.0 x 40.0 x 10.6 mm

BUELL, HONDA, PEUGEOT, SINNIS, TRIUMPH, YAMAHA

REAR



ALSO AVAILABLE

SHAPE	TH. MM	NOTES
FDB2258	8.9	

MATERIAL AVAILABILITY

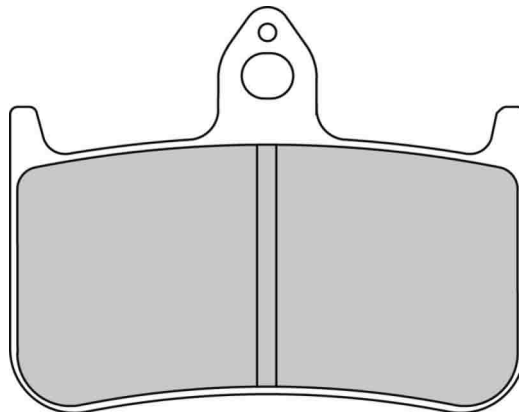
P	PRP	AG	SG	ST	CP1	XRAC
✓				✓		

FDB533

68.1 x 53.8 x 8.7 mm

HONDA

FRONT



MATERIAL AVAILABILITY

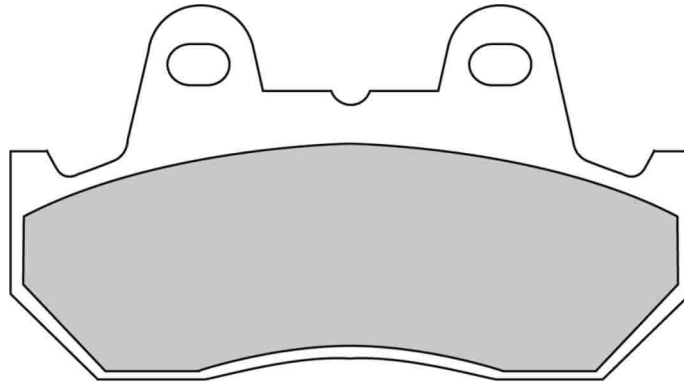
P	PRP	AG	SG	ST	CP1	XRAC
✓				✓	✓	✓

FDB538

90.0 x 49.0 x 9.0 mm

HONDA

FRONT / REAR



ALSO AVAILABLE

SHAPE	TH. MM	NOTES
FDB244	10.5	
FDB665	11.0	

MATERIAL AVAILABILITY

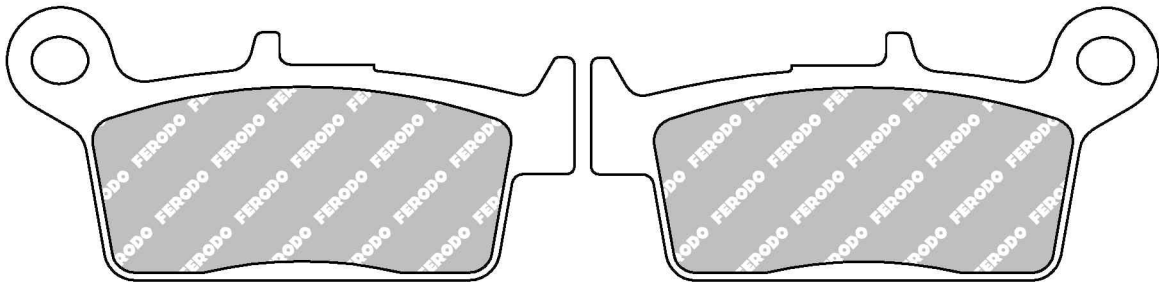
P	PRP	AG	SG	ST	CP1	XRAC
✓				⚠		

FDB539

75.1 x 36.1 x 9.7 mm

AJP, DERBI, GASGAS, HONDA, HUSQVARNA, KAWASAKI, KYMCO, PEUGEOT, SUZUKI, SYM, TM, YAMAHA

FRONT / REAR



ALSO AVAILABLE

SHAPE	TH. MM	NOTES
FDB672	9.1	
FDB783	7.6	

MATERIAL AVAILABILITY

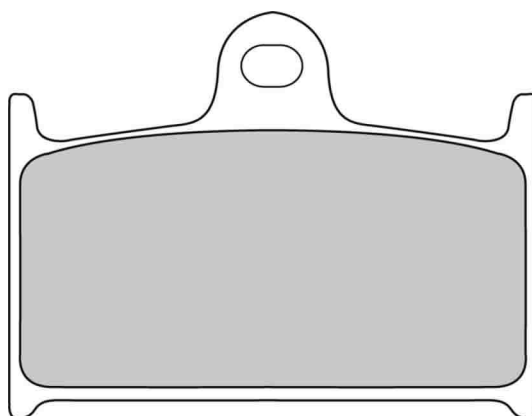
P	PRP	AG	SG	ST	CP1	XRAC
✓			✓			

FDB557

70.0 x 56.0 x 8.8 mm

SUZUKI, TRIUMPH, YAMAHA

FRONT



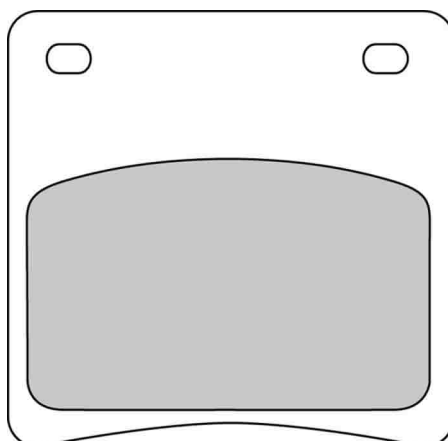
MATERIAL AVAILABILITY						
P	PRP	AG	SG	ST	CP1	XRAC
✓				✓	✓	✓

FDB569

59.1 x 57.0 x 8.9 mm

SUZUKI

FRONT / REAR



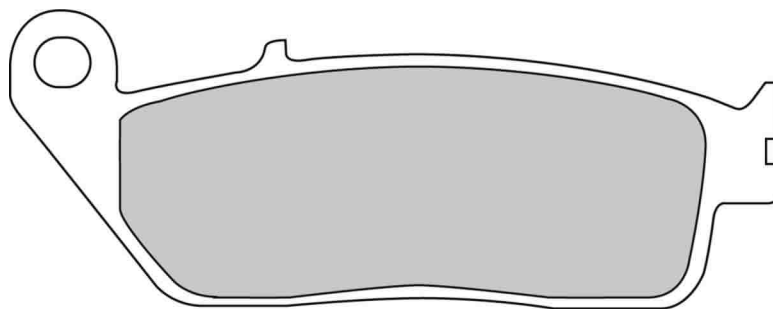
MATERIAL AVAILABILITY						
P	PRP	AG	SG	ST	CP1	XRAC
✓				✓		

FDB570

102.0 x 39.0 x 8.3 mm

BMW, CAGIVA, HONDA, HYOSUNG, KAWASAKI, KYMCO, MOTO GUZZI, PEUGEOT, SUZUKI, SYM, TRIUMPH, YAMAHA

FRONT / REAR



ALSO AVAILABLE

SHAPE	TH. MM	NOTES
FDB2225	10.3	
FDB664	9.8	

MATERIAL AVAILABILITY

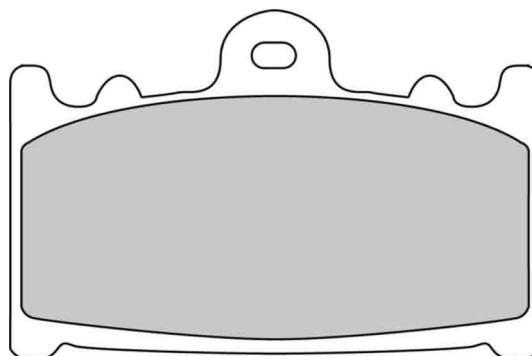
P	PRP	AG	SG	ST	CP1	XRAC
✓				✓	✓	✓

FDB574

70.0 x 46.0 x 8.3 mm

KAWASAKI, SUZUKI

FRONT



MATERIAL AVAILABILITY

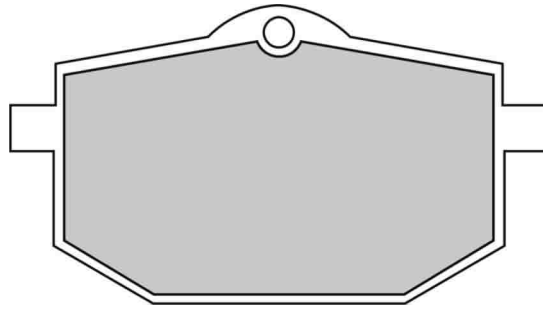
P	PRP	AG	SG	ST	CP1	XRAC
✓	✗			✓	✓	✓

FDB583

71.2 x 39.0 x 9.8 mm

MOTO GUZZI, YAMAHA

FRONT



MATERIAL AVAILABILITY

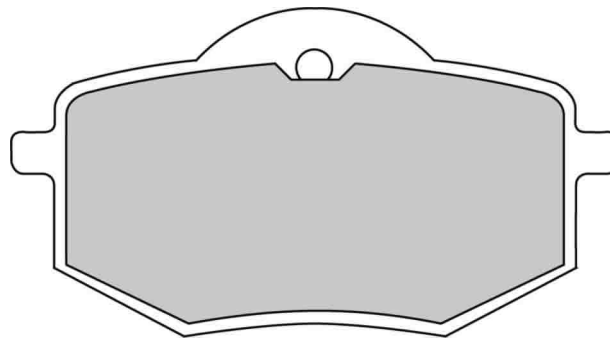
P	PRP	AG	SG	ST	CP1	XRAC
✓						

FDB591

80.0 x 42.0 x 10.0 mm

YAMAHA

FRONT



MATERIAL AVAILABILITY

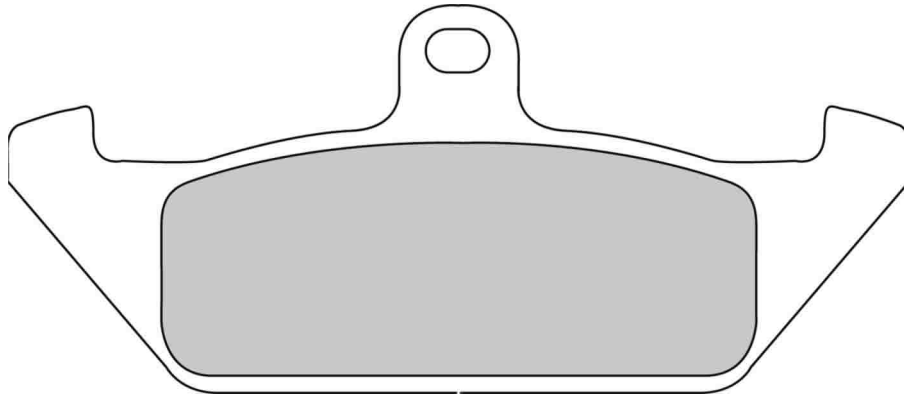
P	PRP	AG	SG	ST	CP1	XRAC
✓						

FDB592

120.1 x 52.5 x 8.0 mm

CAGIVA, DUCATI, LAVERDA, MOTO GUZZI, MOTO MORINI, YAMAHA

FRONT / REAR



MATERIAL AVAILABILITY

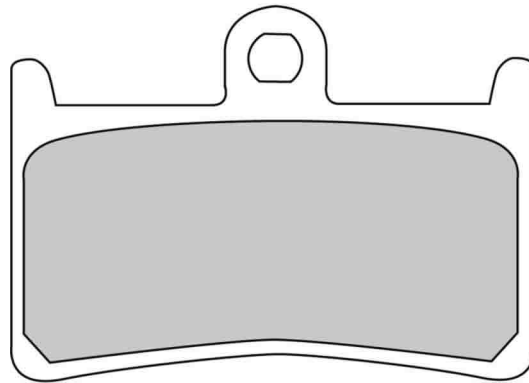
P	PRP	AG	SG	ST	CP1	XRAC
✓						

FDB605

69.0 x 51.0 x 9.4 mm

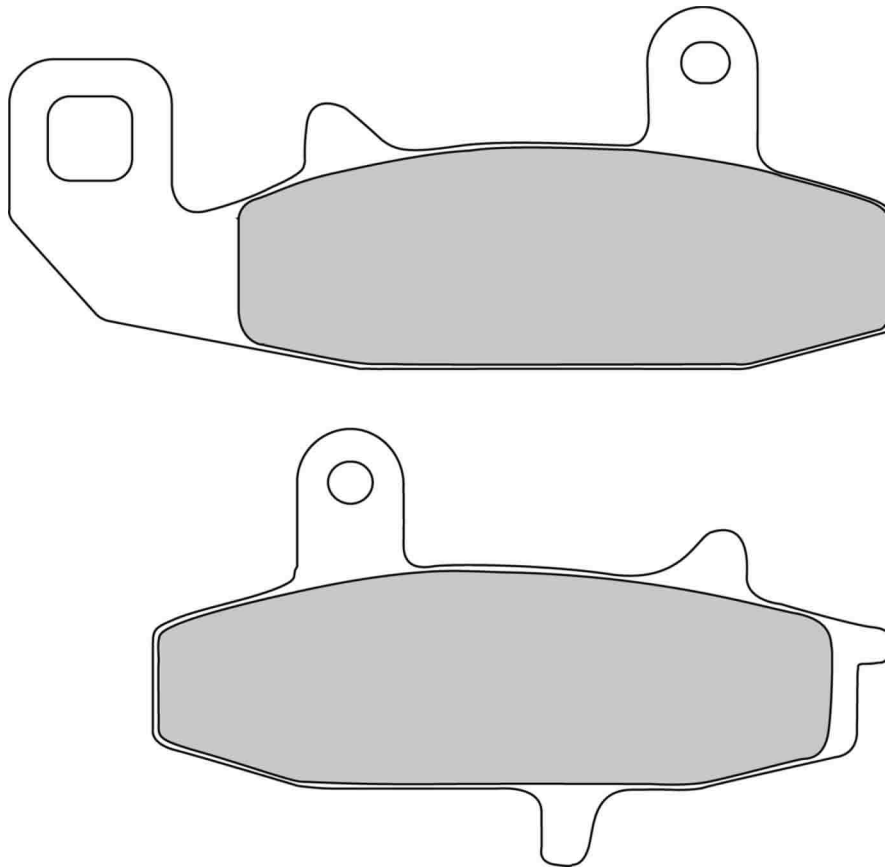
SUZUKI, YAMAHA

FRONT



MATERIAL AVAILABILITY

P	PRP	AG	SG	ST	CP1	XRAC
✓				✓	✓	✓



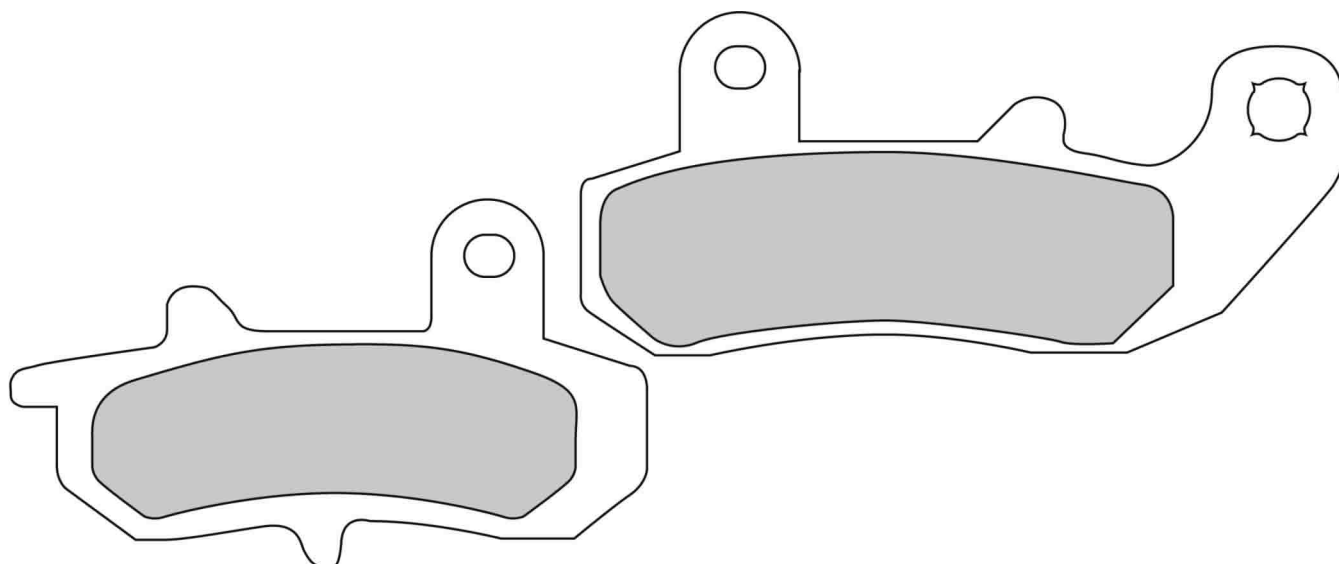
MATERIAL AVAILABILITY						
P	PRP	AG	SG	ST	CP1	XRAC
✓						

FDB607

99.0 x 44.0 x 7.4 mm / 84.0 x 47.0 x 9.8 mm

SUZUKI

REAR



MATERIAL AVAILABILITY

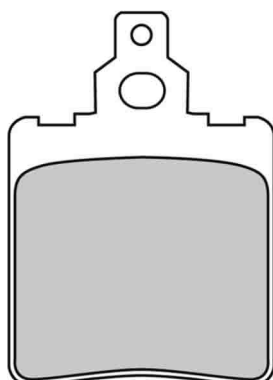
P	PRP	AG	SG	ST	CP1	XRAC
✓						

FDB624

35.0 x 52.0 x 7.0 mm

APRILIA, BETA, FANTIC, GARELLI, KEEWAY, KSR MOTO BY GENERIC

FRONT / REAR



MATERIAL AVAILABILITY

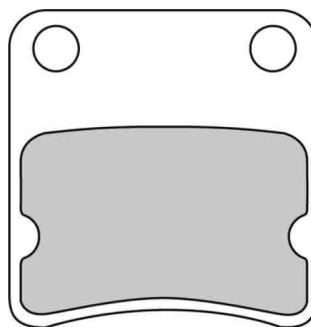
P	PRP	AG	SG	ST	CP1	XRAC
		✓				

FDB625

41.0 x 43.0 x 7.7 mm

BS VILLA, CAGIVA, HONDA, HSC, SYM

FRONT



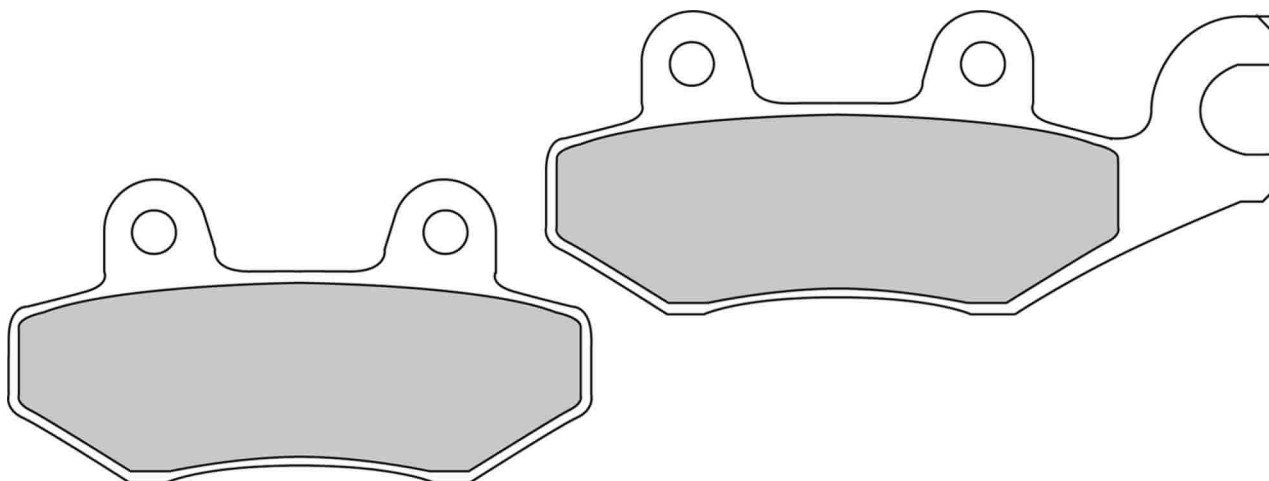
MATERIAL AVAILABILITY						
P	PRP	AG	SG	ST	CP1	XRAC
		✓				

FDB631

96.6 x 42.0 x 7.6 mm / 77.0 x 42.0 x 7.6 mm

BENELLI, CAGIVA, CFMOTO, CPI ATV, DAELIM, E-TON ATV, HONDA, HYOSUNG, JONWAY, KAWASAKI, KAWASAKI ATV, KEEWAY, KYMCO, MODENAS, QUADZILLA, SUZUKI, SUZUKI ATV, TRIUMPH, YAMAHA, YAMAHA ATV

FRONT / REAR



ALSO AVAILABLE		
SHAPE	TH. MM	NOTES
FDB2087	8.8	with slot
FDB497		Coupled set

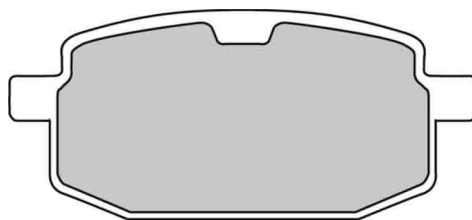
MATERIAL AVAILABILITY						
P	PRP	AG	SG	ST	CP1	XRAC
✓		✓	✓	✓		

FDB636

61.0 x 27.0 x 7.3 mm

ADLY, BETA, BS VILLA, FANTIC, GARELLI, ITALJET, MALAGUTI, MBK, PEUGEOT, PGO, SINNIS, YAMAHA

FRONT / REAR



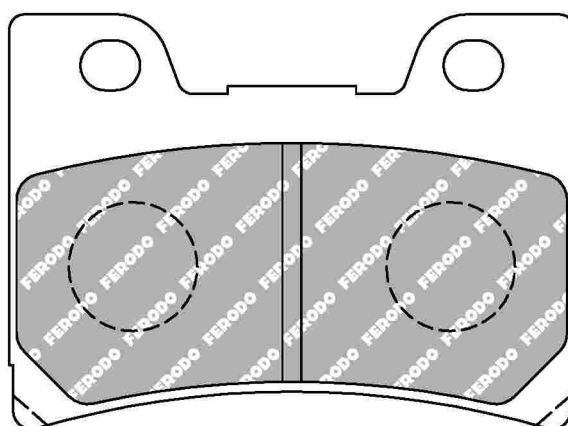
MATERIAL AVAILABILITY						
P	PRP	AG	SG	ST	CP1	XRAC
✓		✓				

FDB637

74.8 x 55.0 x 10.9 mm

YAMAHA

FRONT



ALSO AVAILABLE		
SHAPE	TH. MM	NOTES
FDB666		5 mm Pin Holes

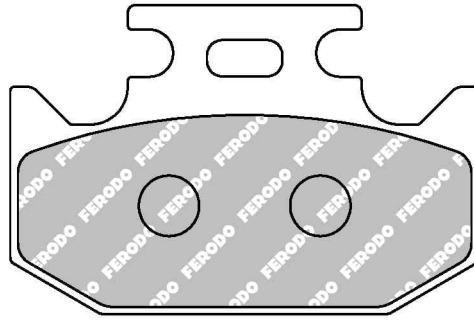
MATERIAL AVAILABILITY						
P	PRP	AG	SG	ST	CP1	XRAC
✓				✓		

FDB659

62.1 x 40.9 x 9.4 mm

CANNONDALE, KAWASAKI, SUZUKI, YAMAHA

REAR



ALSO AVAILABLE

SHAPE	TH. MM	NOTES
FDB2270	7.1	

MATERIAL AVAILABILITY

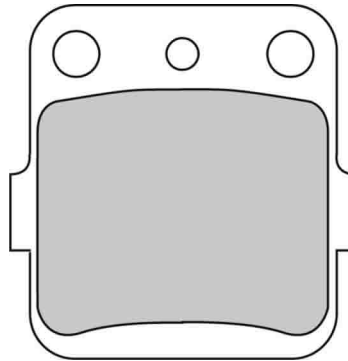
P	PRP	AG	SG	ST	CP1	XRAC
✓			✓			

FDB661

46.0 x 45.0 x 6.5 mm

HONDA, HUSQVARNA, KAWASAKI, KAWASAKI ATV, SUZUKI, SUZUKI ATV, TM, YAMAHA

FRONT / REAR



MATERIAL AVAILABILITY

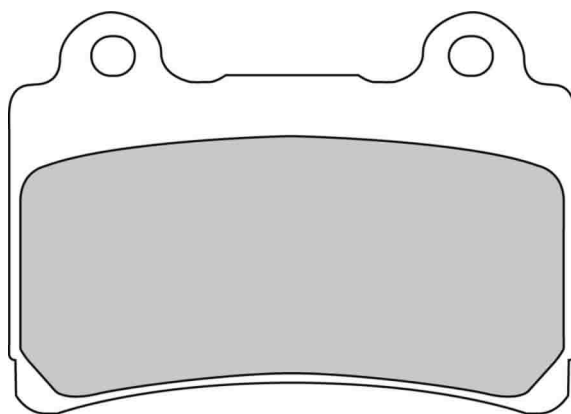
P	PRP	AG	SG	ST	CP1	XRAC
✓			✓			

FDB662

75.0 x 54.0 x 8.8 mm

YAMAHA

FRONT



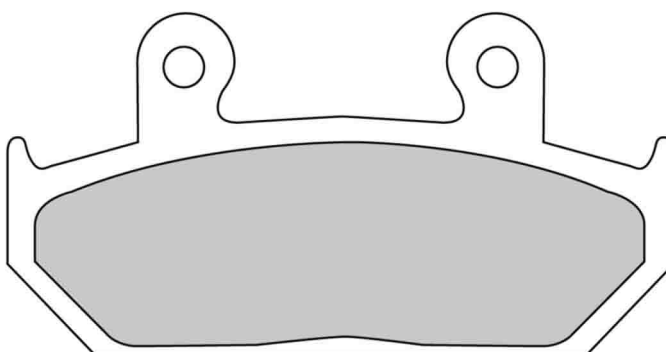
MATERIAL AVAILABILITY						
P	PRP	AG	SG	ST	CP1	XRAC
✓				✗		

FDB663

88.1 x 46.1 x 9.8 mm

CAGIVA, HONDA

FRONT



ALSO AVAILABLE		
SHAPE	TH. MM	NOTES
FDB2173	8.5	pin on the backplate
FDB452	8.5	

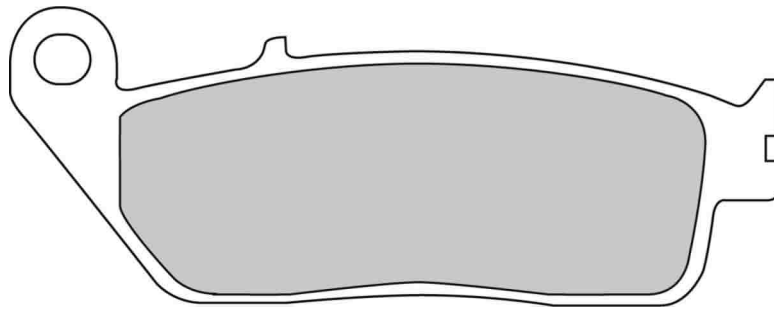
MATERIAL AVAILABILITY						
P	PRP	AG	SG	ST	CP1	XRAC
✓				✓		

FDB664

102.1 x 39.1 x 9.8 mm

BMW, BUELL, CAGIVA, DAELIM, HONDA, INDIAN, KYMCO, TRIUMPH, VICTORY, YAMAHA

FRONT / REAR



ALSO AVAILABLE

SHAPE	TH. MM	NOTES
FDB2225	10.3	
FDB570	8.3	

MATERIAL AVAILABILITY

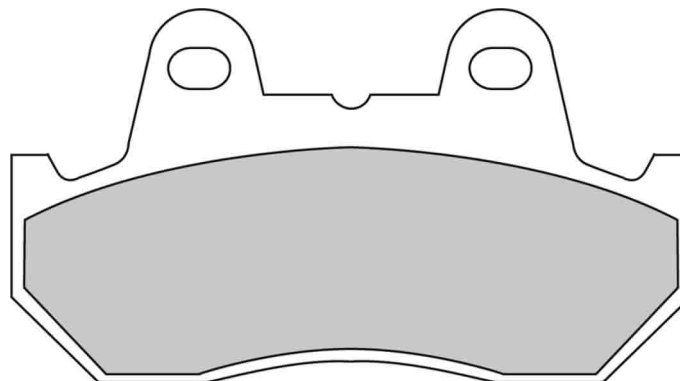
P	PRP	AG	SG	ST	CP1	XRAC
✓				✓		

FDB665

90.0 x 49.0 x 11.5 mm

HONDA

FRONT / REAR



ALSO AVAILABLE

SHAPE	TH. MM	NOTES
FDB244	10.0	
FDB538	9.0	

MATERIAL AVAILABILITY

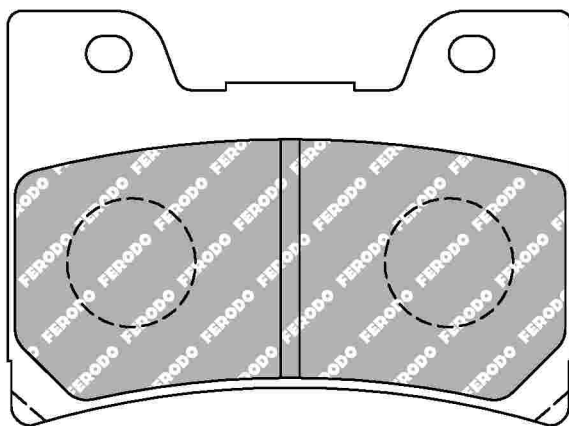
P	PRP	AG	SG	ST	CP1	XRAC
✓				✓		

FDB666

74.7 x 55.3 x 10.9 mm

YAMAHA

FRONT



ALSO AVAILABLE

SHAPE	TH. MM	NOTES
FDB637		6 mm Pin Holes

MATERIAL AVAILABILITY

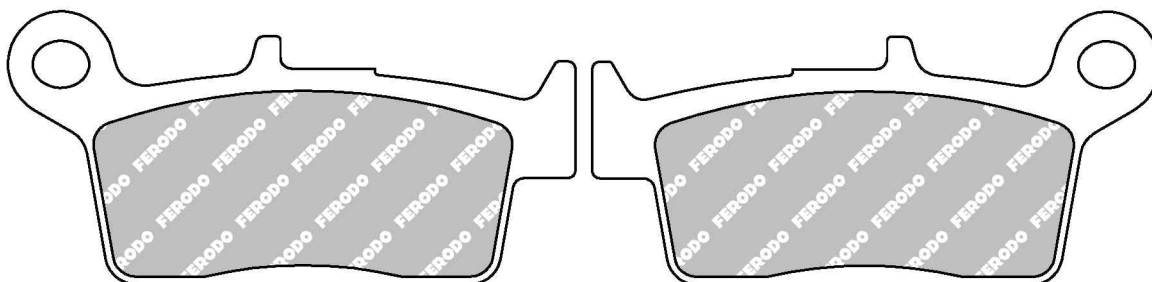
P	PRP	AG	SG	ST	CP1	XRAC
✓				✓		

FDB672

75.1 x 36.1 x 9.1 mm

HERCULES (SACHS), HONDA, KYMCO, PEUGEOT

FRONT



ALSO AVAILABLE

SHAPE	TH. MM	NOTES
FDB539	9.7	
FDB783	7.6	

MATERIAL AVAILABILITY

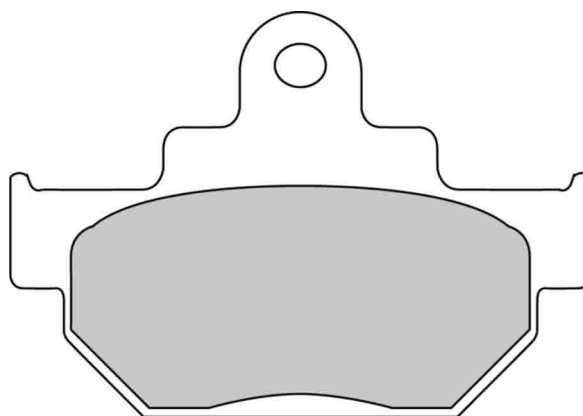
P	PRP	AG	SG	ST	CP1	XRAC
		✓				

FDB673

77.0 x 54.0 x 9.4 mm

APRILIA, SUZUKI

FRONT



ALSO AVAILABLE

SHAPE	TH. MM	NOTES
FDB404	7.1	

MATERIAL AVAILABILITY

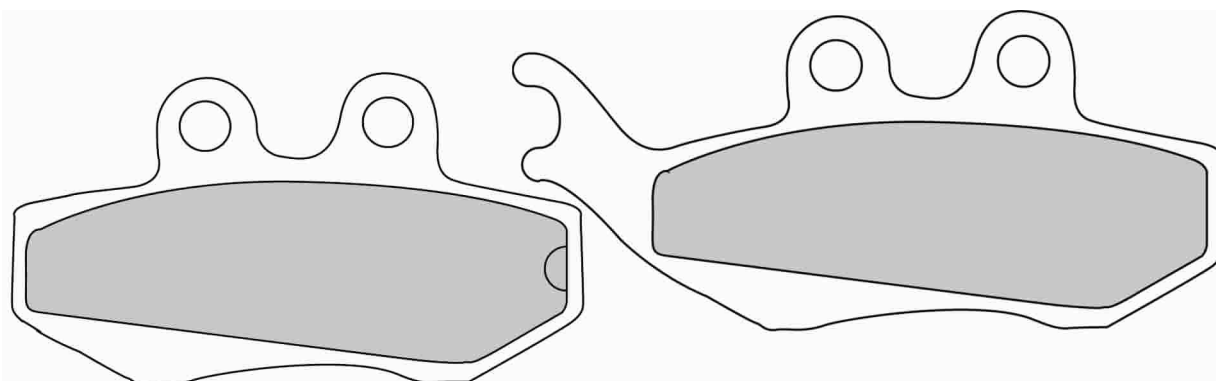
P	PRP	AG	SG	ST	CP1	XRAC
✓						

FDB677

94.6 x 42.1 x 7.6 mm / 77.1 x 42.1 x 7.6 mm

AJP, APRILIA, BENELLI, BETA, CPI, DERBI, GASGAS, GILERA, HONDA, HONDA-HM ITALIA, KEEWAY, KSR MOTO BY
GENERIC, MALAGUTI, PEUGEOT, PIAGGIO, RIEJU, SACHS, SHERCO, YAMAHA

FRONT / REAR



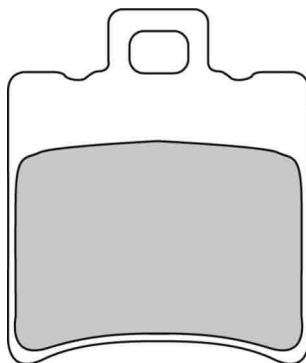
MATERIAL AVAILABILITY

P	PRP	AG	SG	ST	CP1	XRAC
✓		✓				

FDB680

39.9 x 49.6 x 7.0 mm

APRILIA, ATALA, BENELLI, BETA, CAGIVA, DERBI, GILERA, HERCULES (SACHS), HONDA, HYOSUNG, ITALJET, KEEWAY, KSR MOTO BY FRONT / REAR
GENERIC, KTM, MACAL, MALAGUTI, MBK, PEUGEOT, PGO, PIAGGIO, RIZZATO, SUZUKI, YAMAHA



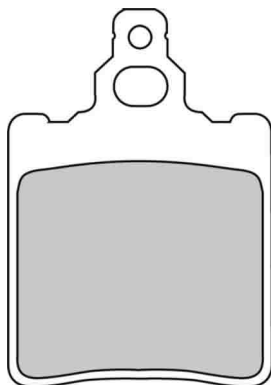
MATERIAL AVAILABILITY						
P	PRP	AG	SG	ST	CP1	XRAC
		✓		✓		

FDB694

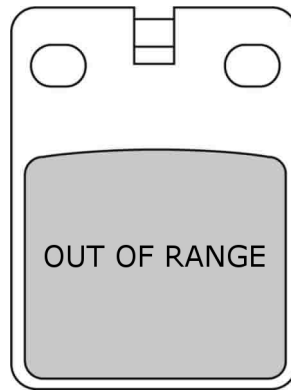
35.0 x 52.0 x 6.0 mm

APRILIA, BETA, CAGIVA, DERBI, FANTIC, GARELLI, GILERA, HRD, KEEWAY, KTM, LAVERDA, MALANCA, PUCH

FRONT / REAR



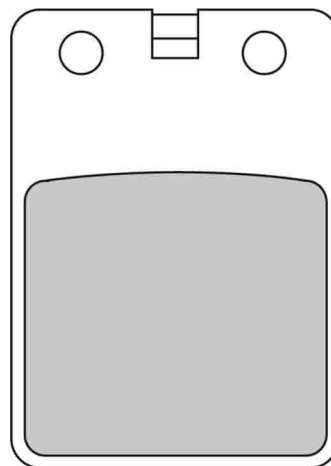
MATERIAL AVAILABILITY						
P	PRP	AG	SG	ST	CP1	XRAC
✓		✓	✗	✓		



MATERIAL AVAILABILITY						
P	PRP	AG	SG	ST	CP1	XRAC
X						

FANTIC, GARELLI, GILERA, MOTO MORINI, PUCH

FRONT

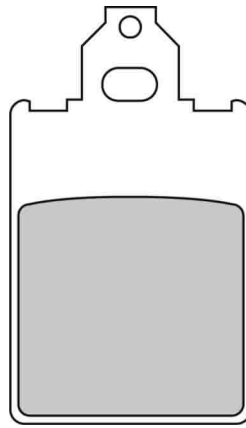


MATERIAL AVAILABILITY						
P	PRP	AG	SG	ST	CP1	XRAC
		!				

FDB697

32.0 x 57.0 x 5.5 mm

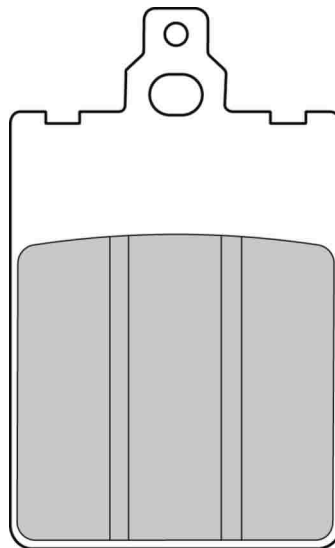
ACCOSSATO, APRILIA, ATK (USA), BETA, DERBI, FANTIC, GARELLI, GILERA, KTM, MALAGUTI, MBK, PIAGGIO, RIZZATO, TOMOS, FRONT / REAR
YAMAHA



MATERIAL AVAILABILITY						
P	PRP	AG	SG	ST	CP1	XRAC
		✓				

FDB698

44.1 x 71.6 x 7.6 mm



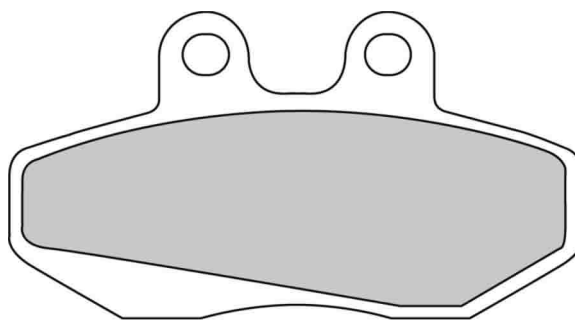
MATERIAL AVAILABILITY						
P	PRP	AG	SG	ST	CP1	XRAC
✓						

FDB706

77.1 x 42.1 x 7.6 mm

APRILIA, BETA, BULTACO, CAGIVA, DERBI, HUSQVARNA, PEUGEOT, RIEJU, SACHS, SHERCO

FRONT / REAR



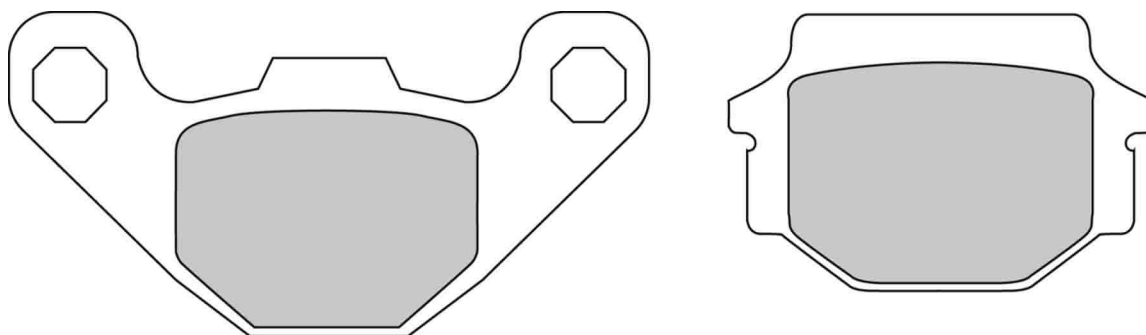
MATERIAL AVAILABILITY						
P	PRP	AG	SG	ST	CP1	XRAC
✓						

FDB731

85.2 x 43.0 x 6.2 mm / 56.0 x 37.3 x 8.5 mm

APRILIA, DERBI, FANTIC, KRAM IT, MALAGUTI

FRONT / REAR



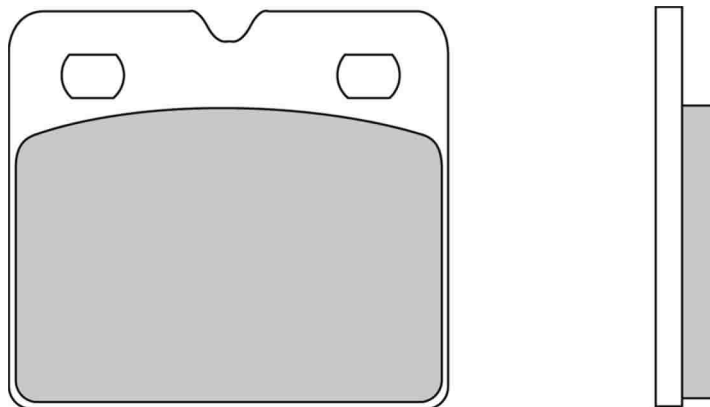
MATERIAL AVAILABILITY						
P	PRP	AG	SG	ST	CP1	XRAC
✓						

FDB736

57.8 x 53.4 x 9.0 mm

BMW, QUADZILLA

FRONT / REAR



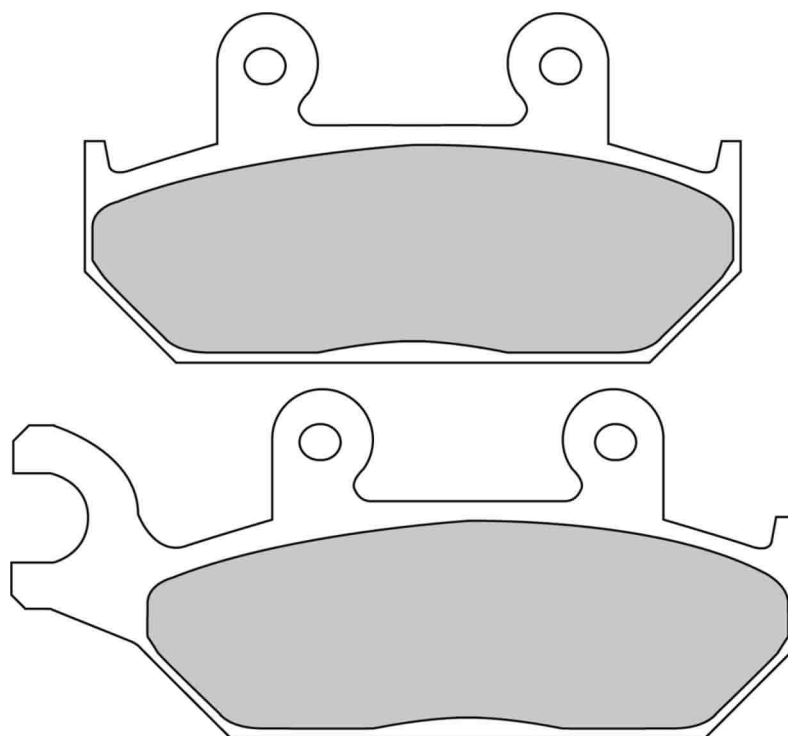
MATERIAL AVAILABILITY						
P	PRP	AG	SG	ST	CP1	XRAC
✓				✓		

FDB737

88.0 x 46.0 x 10.0 mm / 104.0 x 46.0 x 10.0 mm

YAMAHA

FRONT



MATERIAL AVAILABILITY						
P	PRP	AG	SG	ST	CP1	XRAC
✓						

For BUYER'S GUIDE see page 3000

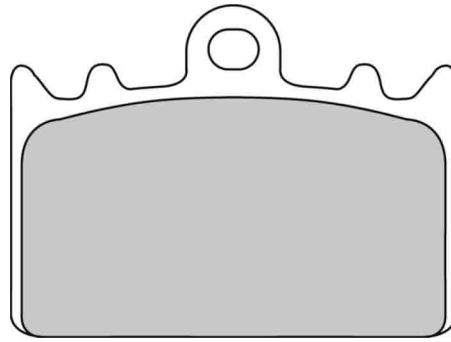
For CROSS REFERENCES see pages 7000 (pads) and 8000 (shoes)

FDB741

59.0 x 43.0 x 8.0 mm

KAWASAKI

FRONT



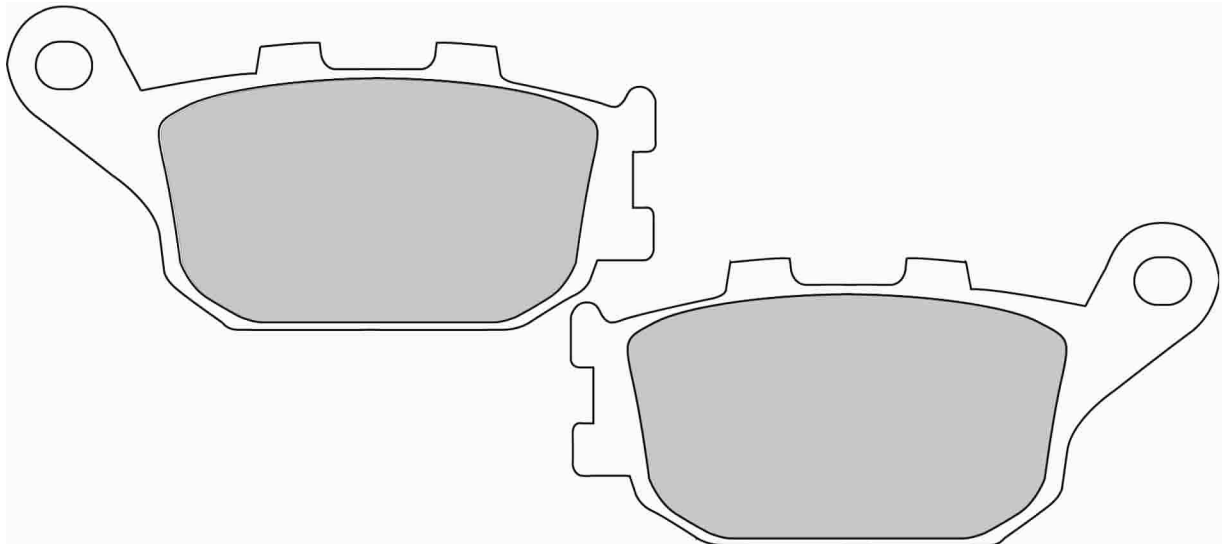
MATERIAL AVAILABILITY						
P	PRP	AG	SG	ST	CP1	XRAC
✓						

FDB754

86.0 x 40.0 x 9.3 mm

HONDA, KAWASAKI, SUZUKI, TRIUMPH, YAMAHA

REAR



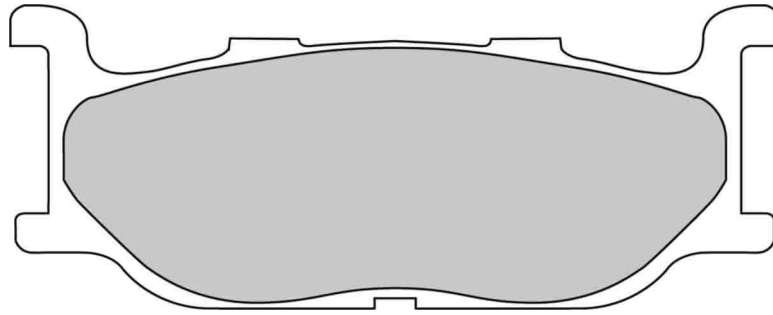
MATERIAL AVAILABILITY						
P	PRP	AG	SG	ST	CP1	XRAC
✓				✓		

FDB781

102.0 x 41.0 x 10.0 mm

CFMOTO, SYM, YAMAHA

FRONT



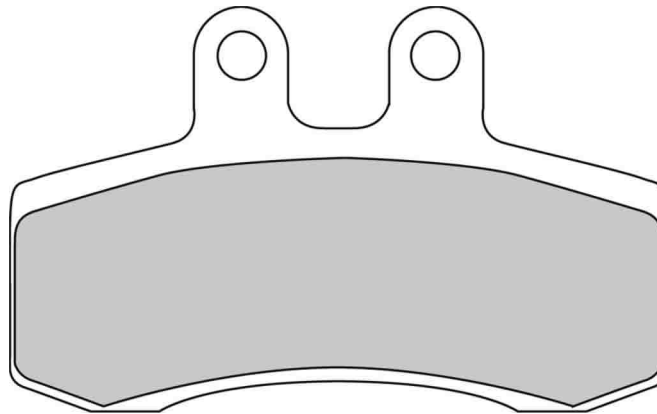
MATERIAL AVAILABILITY						
P	PRP	AG	SG	ST	CP1	XRAC
✓				✓		

FDB782

87.4 x 53.1 x 7.6 mm

APRILIA, MZ

FRONT



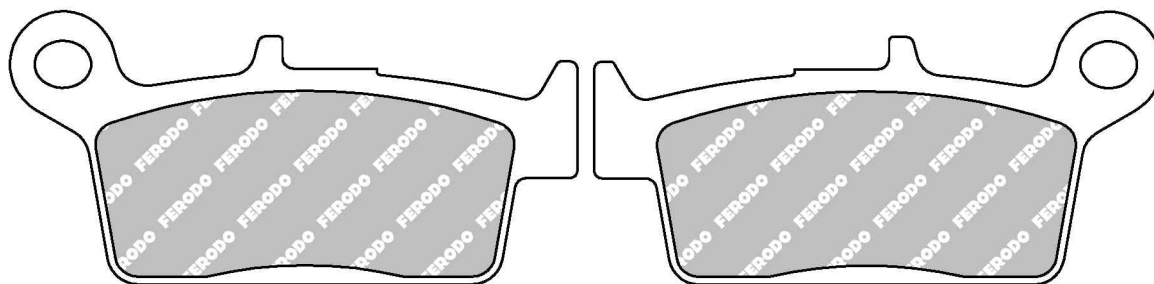
MATERIAL AVAILABILITY						
P	PRP	AG	SG	ST	CP1	XRAC
✓						

FDB783

75.1 x 36.1 x 7.6 mm

HONDA, PEUGEOT

FRONT / REAR



ALSO AVAILABLE

SHAPE	TH. MM	NOTES
FDB539	9.7	
FDB672	9.1	

MATERIAL AVAILABILITY

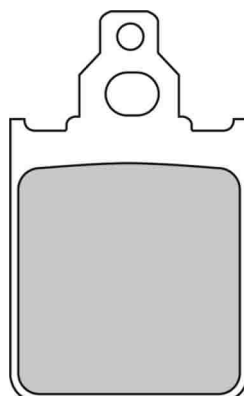
P	PRP	AG	SG	ST	CP1	XRAC
		✓				

FDB784

31.7 x 51.1 x 5.6 mm

ITALJET, PIAGGIO

FRONT



ALSO AVAILABLE

SHAPE	TH. MM	NOTES
FDB2100	6.0	Different friction material area

MATERIAL AVAILABILITY

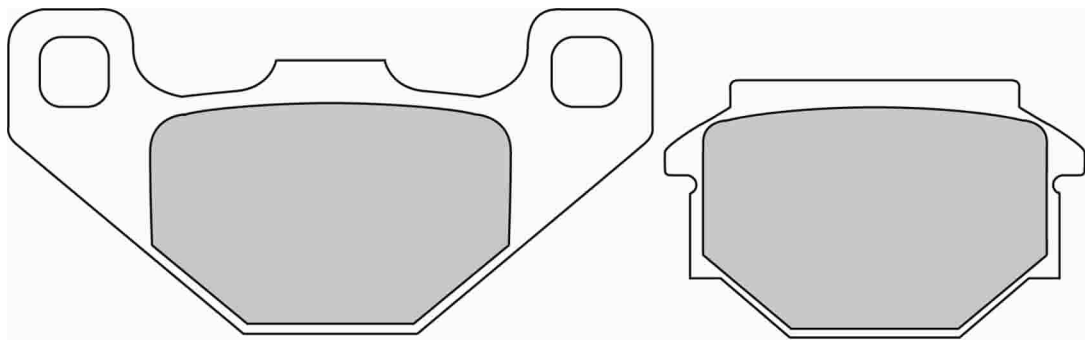
P	PRP	AG	SG	ST	CP1	XRAC
		✓				

FDB828

85.0 x 42.7 x 7.5 mm / 56.0 x 34.5 x 9.8 mm

APRILIA, BETA, CAGIVA, FANTIC, GARELLI, GILERA, HONDA, HONDA-HM ITALIA, LEM, MALAGUTI, MZ, RIEJU, SACHS,
SUZUKI ATV

FRONT / REAR



MATERIAL AVAILABILITY

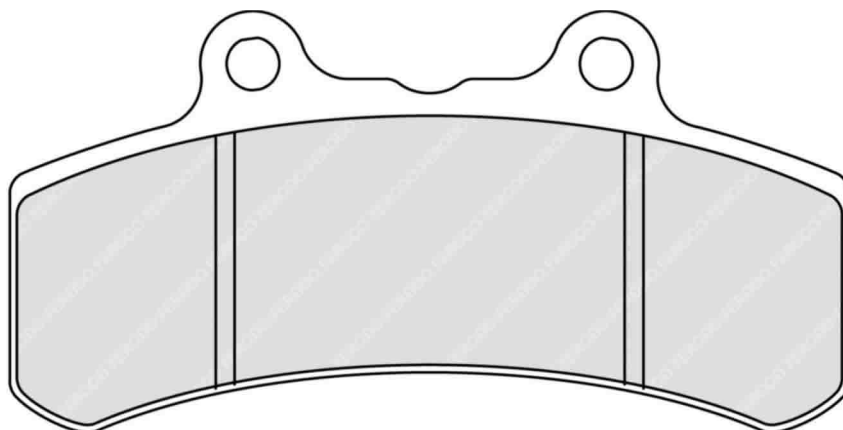
P	PRP	AG	SG	ST	CP1	XRAC
✓				✓		

FDB847

111.8 x 56.0 x 11.0 mm

BUELL

FRONT



MATERIAL AVAILABILITY

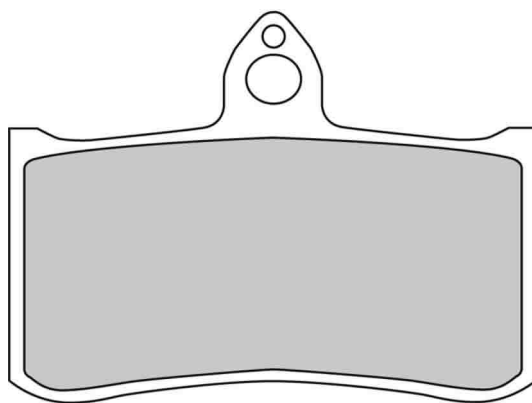
P	PRP	AG	SG	ST	CP1	XRAC
✓						

FDB858

69.8 x 52.5 x 8.7 mm

HONDA

FRONT / REAR



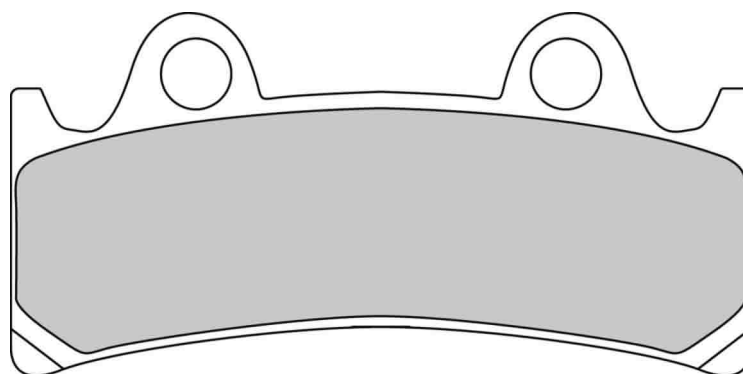
MATERIAL AVAILABILITY						
P	PRP	AG	SG	ST	CP1	XRAC
				✓	✓	

FDB864

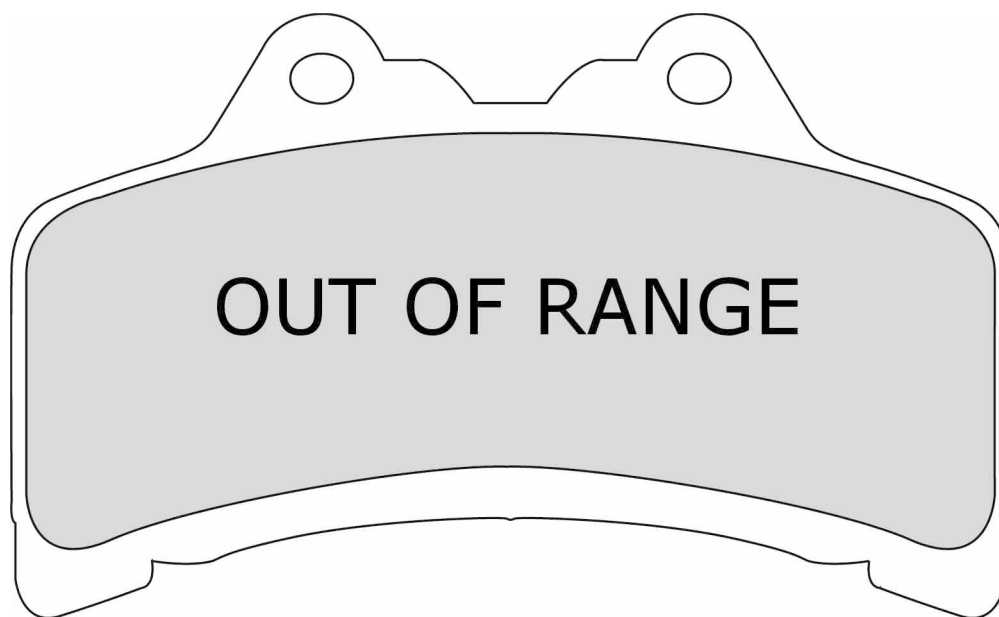
98.9 x 49.7 x 9.9 mm

TRIUMPH, YAMAHA

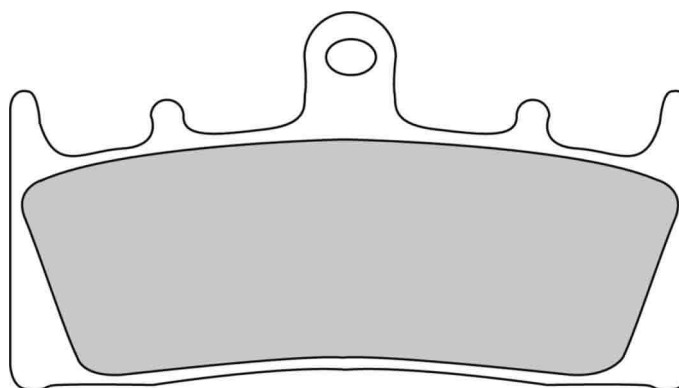
FRONT



MATERIAL AVAILABILITY						
P	PRP	AG	SG	ST	CP1	XRAC
✓	✗			✓		

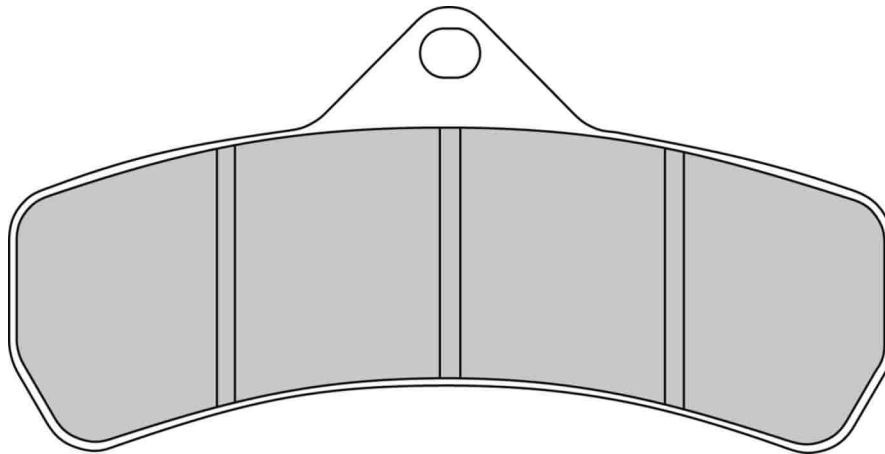


MATERIAL AVAILABILITY						
P	PRP	AG	SG	ST	CP1	XRAC
✘						



ALSO AVAILABLE		
SHAPE	TH. MM	NOTES
FDB2144	9.9	Racing Applications

MATERIAL AVAILABILITY						
P	PRP	AG	SG	ST	CP1	XRAC
✔	✘			✔	✔	✔

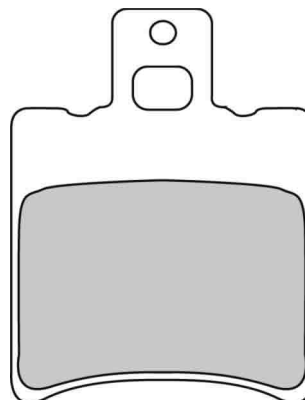
FDB887**117.1 x 58.8 x 8.0 mm**

MATERIAL AVAILABILITY						
P	PRP	AG	SG	ST	CP1	XRAC
✓						

FDB889**39.9 x 54.1 x 6.5 mm**

APRILIA, BETA, DERBI, MBK, MONTESA, PGO, SUZUKI, YAMAHA

FRONT / REAR



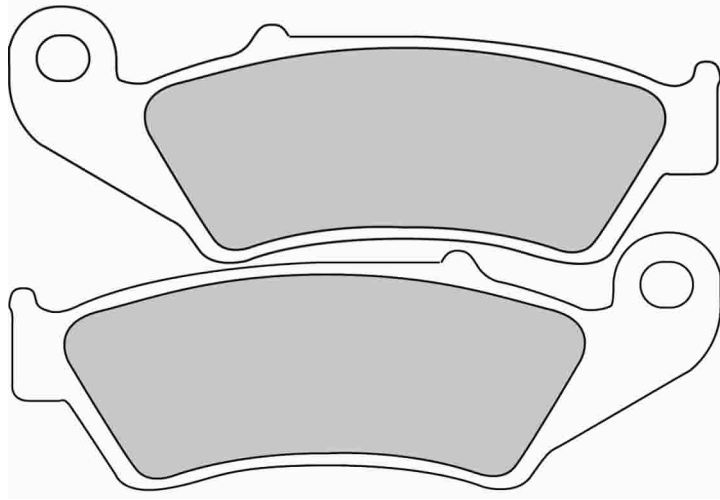
MATERIAL AVAILABILITY						
P	PRP	AG	SG	ST	CP1	XRAC
		✓		✓		

FDB892

94.0 x 35.0 x 7.7 mm

AJP, APRILIA, BETA, CANNONDALE, GASGAS, HONDA, HONDA ATV, KAWASAKI, SUZUKI, YAMAHA

FRONT



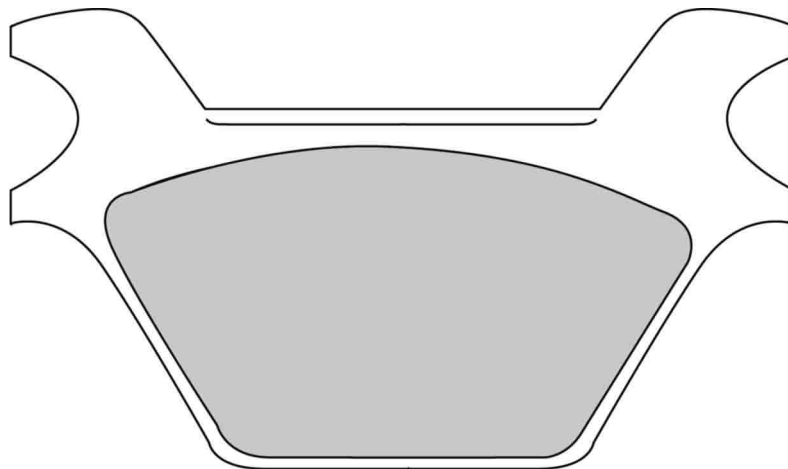
MATERIAL AVAILABILITY						
P	PRP	AG	SG	ST	CP1	XRAC
✓			✓			

FDB2001

104.0 x 62.0 x 11.2 mm

HARLEY DAVIDSON, POLARIS SNOWMOBILE

REAR



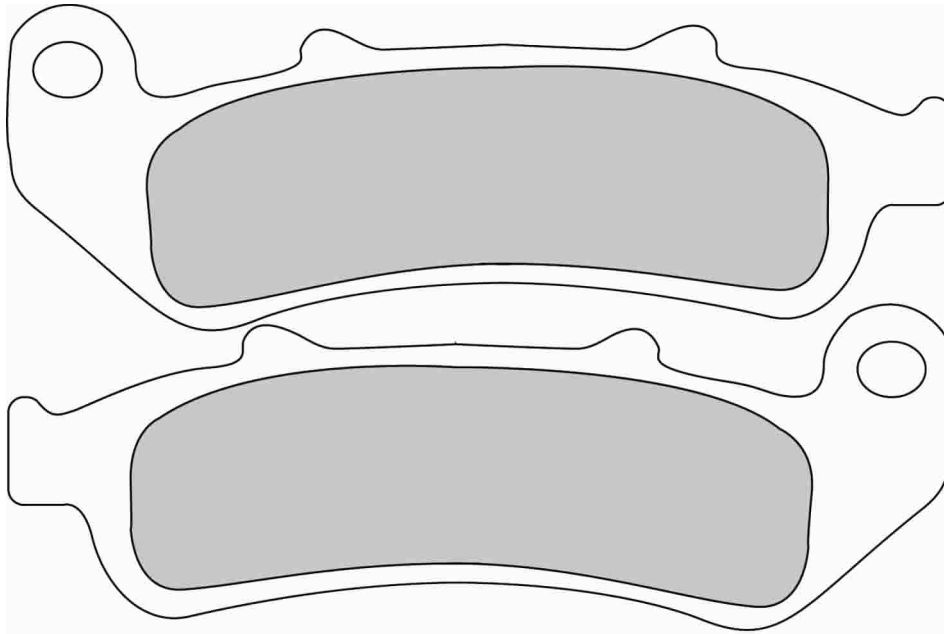
MATERIAL AVAILABILITY						
P	PRP	AG	SG	ST	CP1	XRAC
✓	✓		✓			

FDB2002

125.0 x 44.3 x 8.8 mm

HONDA

FRONT / REAR



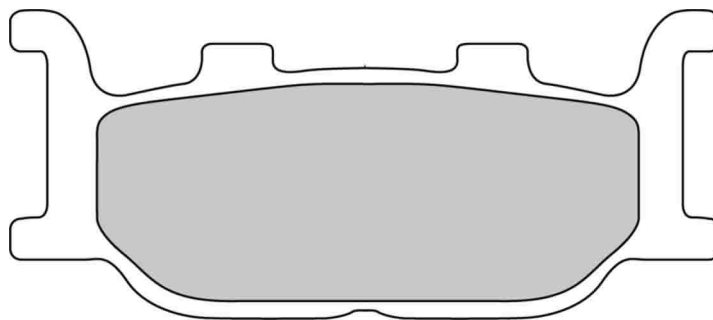
MATERIAL AVAILABILITY						
P	PRP	AG	SG	ST	CP1	XRAC
✓				✓		

FDB2003

94.0 x 41.0 x 10.0 mm

ADIVA, ITALJET, KTM, LINHAI, MBK, SINNIS, YAMAHA

FRONT / REAR

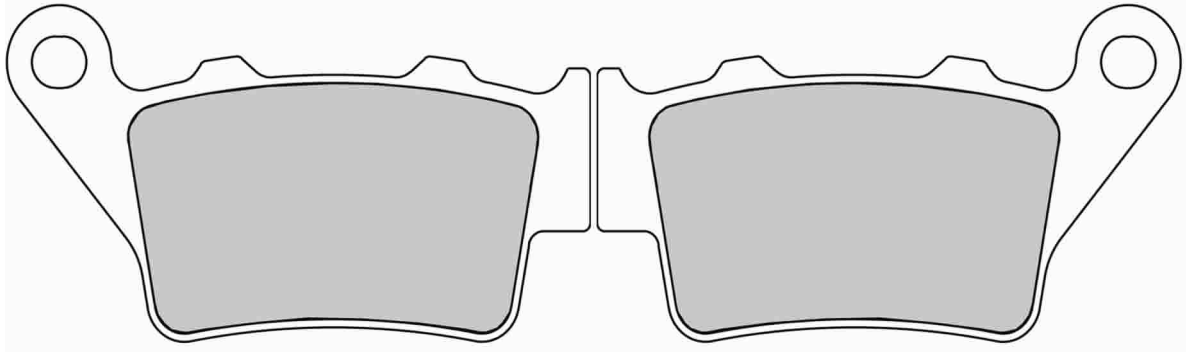


MATERIAL AVAILABILITY						
P	PRP	AG	SG	ST	CP1	XRAC
✓		✓		✓		

FDB2005

77.0 x 43.0 x 9.0 mm

ALFER, APRILIA, ATK (USA), BENELLI, BETA, BMW, CCM, DUCATI, GASGAS, HONDA, HUSABERG, HUSQVARNA, KTM, MAICO, TM, TRIUMPH, YAMAHA FRONT / REAR

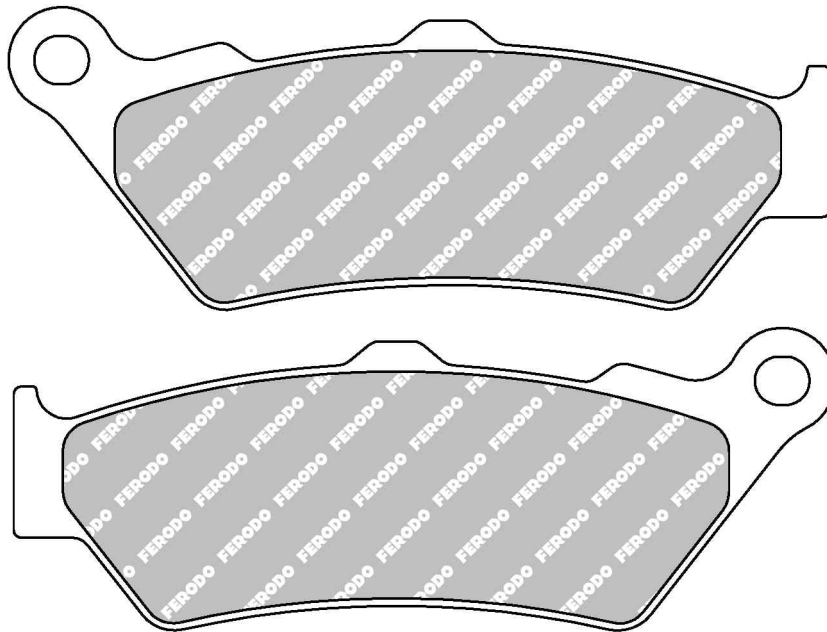


MATERIAL AVAILABILITY						
P	PRP	AG	SG	ST	CP1	XRAC
✓			✓	✓		

FDB2006

108.5 x 40.0 x 7.7 mm

APRILIA, BMW, DUCATI, HONDA, HUSQVARNA, KTM, MOTO GUZZI, MOTO MORINI, TRIUMPH, VICTORY, YAMAHA FRONT / REAR



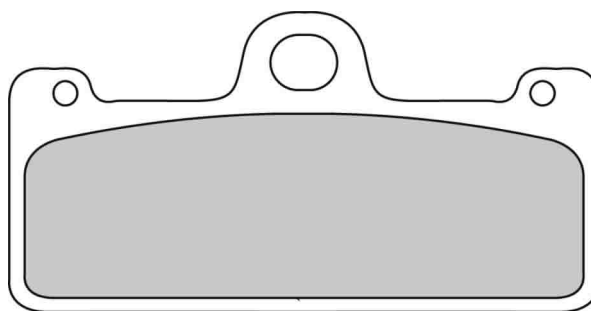
MATERIAL AVAILABILITY						
P	PRP	AG	SG	ST	CP1	XRAC
✓				✓		

FDB2007

78.0 x 41.0 x 8.7 mm

APRILIA, DUCATI

FRONT



ALSO AVAILABLE

SHAPE	TH. MM	NOTES
FDB2123	10.0	

MATERIAL AVAILABILITY

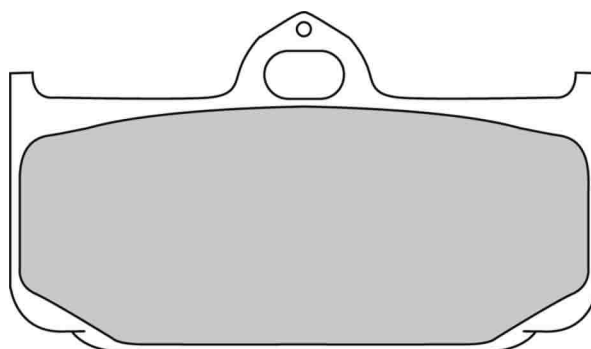
P	PRP	AG	SG	ST	CP1	XRAC
⚠					✓	✓

FDB2008

77.6 x 45.4 x 8.7 mm

HONDA

FRONT



MATERIAL AVAILABILITY

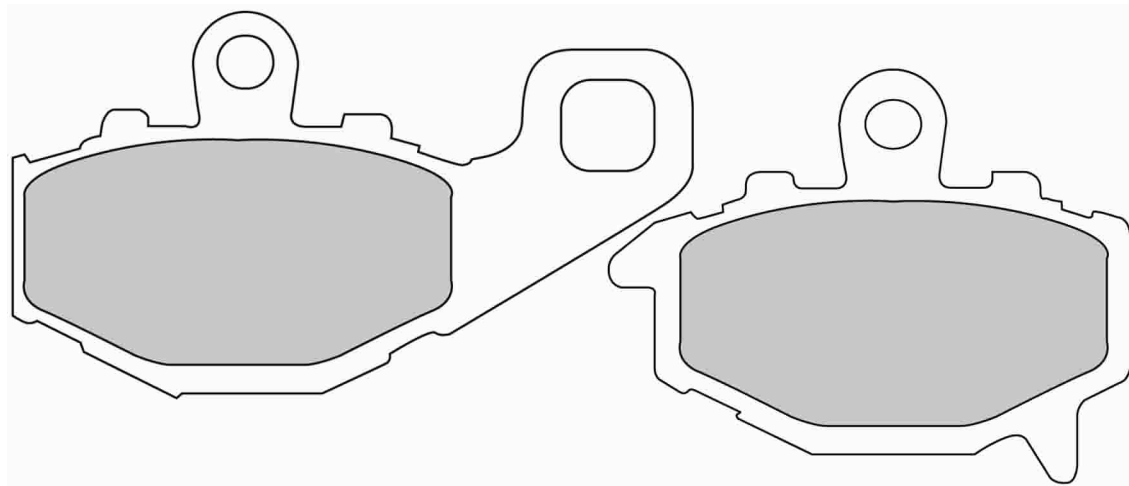
P	PRP	AG	SG	ST	CP1	XRAC
⚠						

FDB2012

68.0 x 54.5 x 9.8 mm / 90.0 x 51.5 x 8.7 mm

CFMOTO, KAWASAKI

REAR



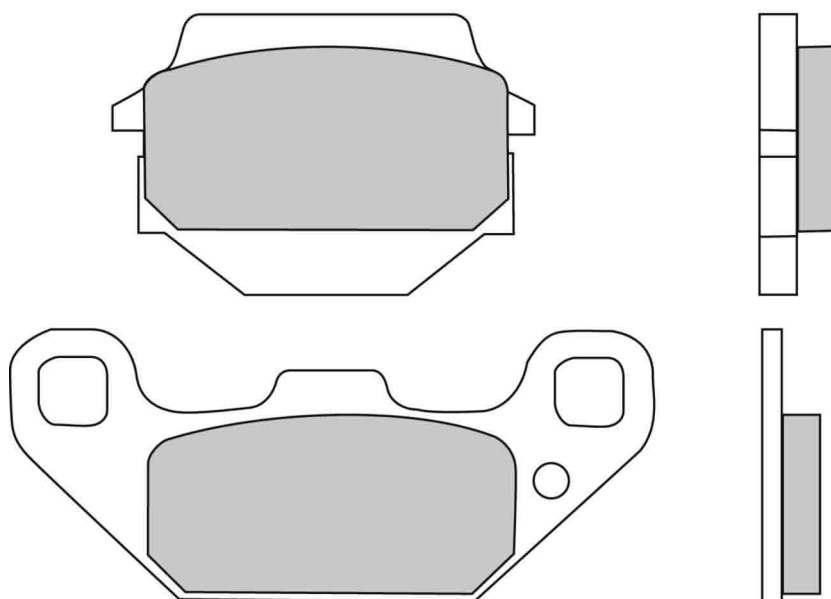
MATERIAL AVAILABILITY						
P	PRP	AG	SG	ST	CP1	XRAC
✓				✓		

FDB2013

56.0 x 37.0 x 10.3 mm / 85.0 x 36.0 x 7.9 mm

KAWASAKI ATV, SUZUKI ATV

FRONT



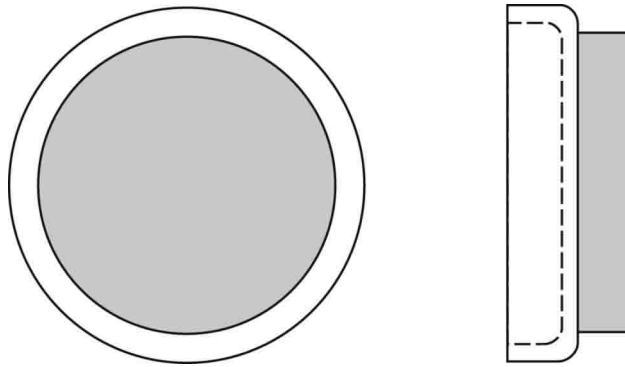
MATERIAL AVAILABILITY						
P	PRP	AG	SG	ST	CP1	XRAC
			✓			

FDB2014

47.0 x 47.0 x 16.5 mm

YAMAHA 3 WHEELERS, YAMAHA ATV, YAMAHA SNOWMOBILE

FRONT / REAR



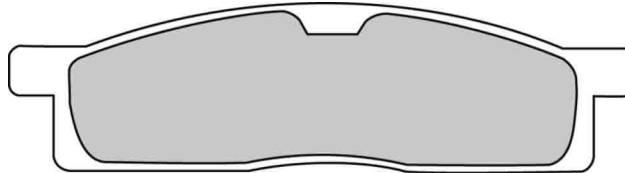
MATERIAL AVAILABILITY						
P	PRP	AG	SG	ST	CP1	XRAC
			✓			

FDB2015

83.0 x 22.0 x 7.0 mm

KAWASAKI, YAMAHA

FRONT / REAR



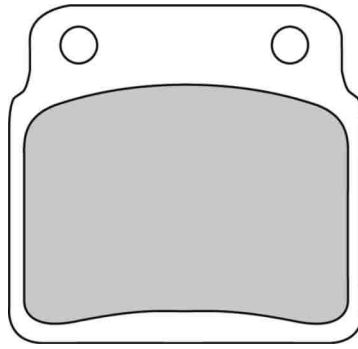
MATERIAL AVAILABILITY						
P	PRP	AG	SG	ST	CP1	XRAC
			✓			

FDB2016

47.0 x 45.0 x 7.3 mm

ARCTIC CAT ATV, HYOSUNG ATV, KAWASAKI ATV, SUZUKI ATV

FRONT / REAR



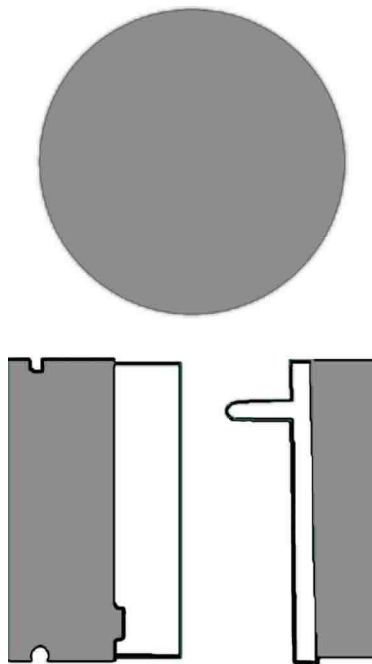
MATERIAL AVAILABILITY						
P	PRP	AG	SG	ST	CP1	XRAC
			✓			

FDB2017

40.0 x 40.0 x 23.0 mm / 37.1 x 37.1 x 7.8 mm

YAMAHA ATV

REAR

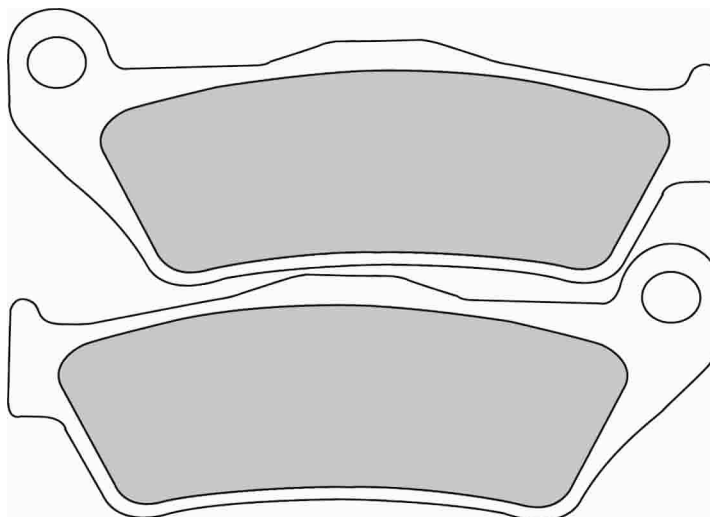


MATERIAL AVAILABILITY						
P	PRP	AG	SG	ST	CP1	XRAC
			✓			

FDB2018

94.0 x 37.0 x 7.5 mm

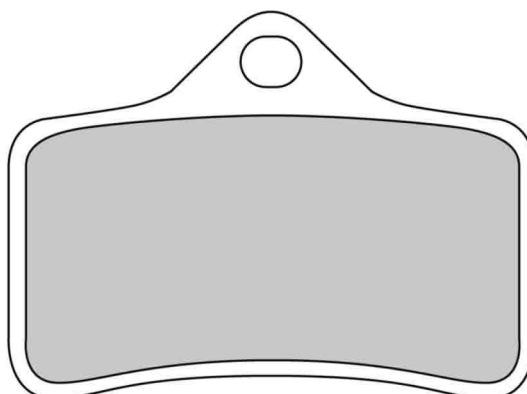
ALFER, APRILIA, ATK (USA), BENELLI, BMW, CAGIVA, CCM, DERBI, DUCATI, GASGAS, GASGAS ATV, GILERA, HARLEY DAVIDSON, HUSABERG, HUSQVARNA, KEEWAY, KTM, MAICO, MBK, MOTO GUZZI, MOTO MORINI, PIAGGIO, RIEJU, SHERCO, TM, YAMAHA FRONT / REAR



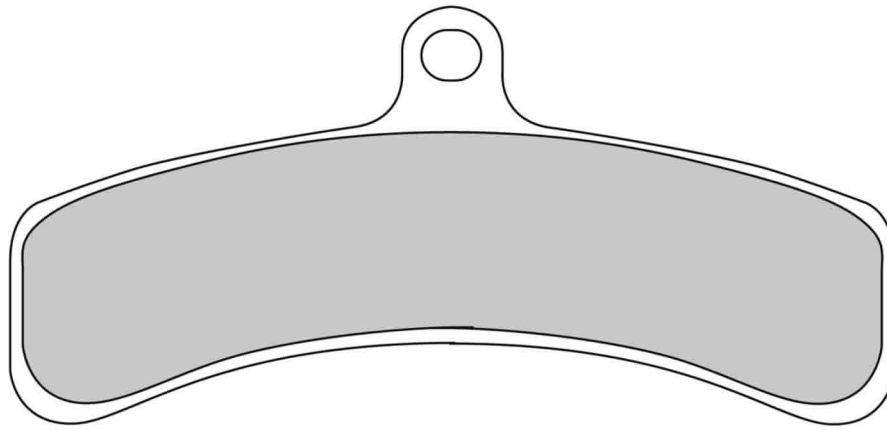
MATERIAL AVAILABILITY						
P	PRP	AG	SG	ST	CP1	XRAC
✓			✓	✓		

FDB2033

69.6 x 52.0 x 8.0 mm



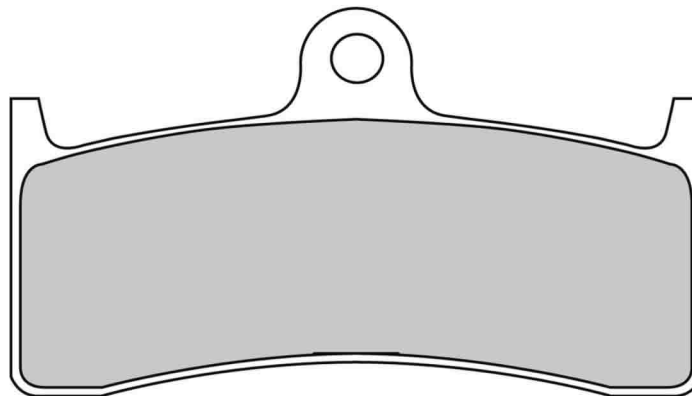
MATERIAL AVAILABILITY						
P	PRP	AG	SG	ST	CP1	XRAC
✓						



MATERIAL AVAILABILITY						
P	PRP	AG	SG	ST	CP1	XRAC

BUELL, HONDA, KAWASAKI, MV AGUSTA

FRONT



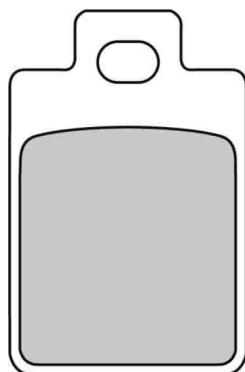
MATERIAL AVAILABILITY						
P	PRP	AG	SG	ST	CP1	XRAC

FDB2037

31.6 x 49.0 x 7.0 mm

PIAGGIO

FRONT



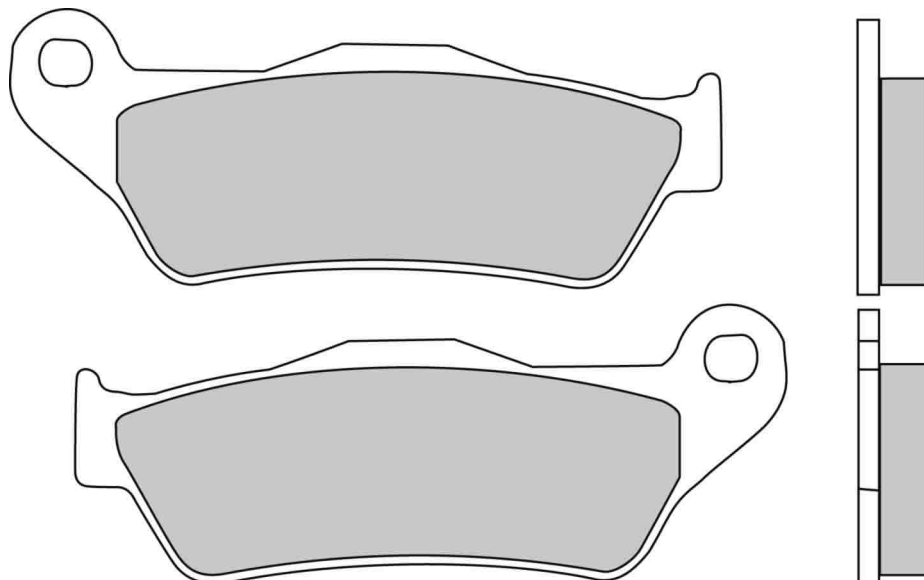
MATERIAL AVAILABILITY						
P	PRP	AG	SG	ST	CP1	XRAC
		✓				

FDB2039

94.0 x 37.0 x 8.6 mm / 94.0 x 37.0 x 10.1 mm

BMW, MOTO GUZZI

REAR



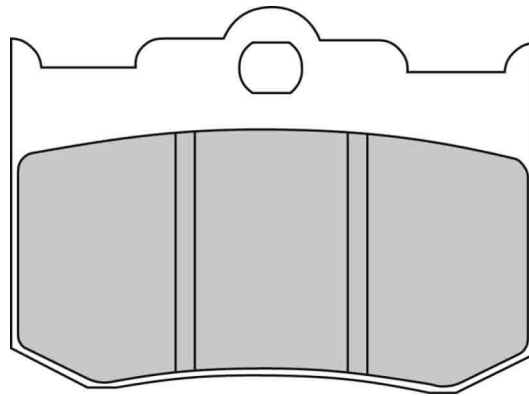
MATERIAL AVAILABILITY						
P	PRP	AG	SG	ST	CP1	XRAC
✓				✓		

FDB2040

69.4 x 51.1 x 7.9 mm

INDIAN

FRONT / REAR



ALSO AVAILABLE

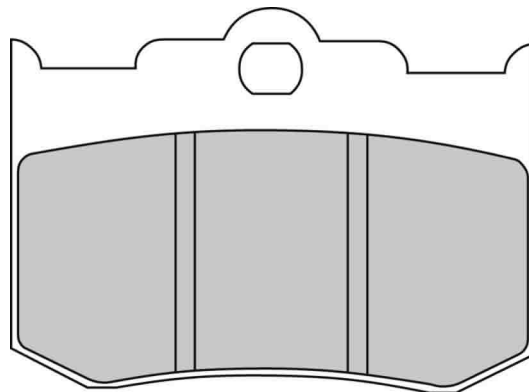
SHAPE	TH. MM	NOTES
FDB2041	11.0	

MATERIAL AVAILABILITY

P	PRP	AG	SG	ST	CP1	XRAC
✓	✓			✓		

FDB2041

69.4 x 51.1 x 11.0 mm



ALSO AVAILABLE

SHAPE	TH. MM	NOTES
FDB2040	7.9	

MATERIAL AVAILABILITY

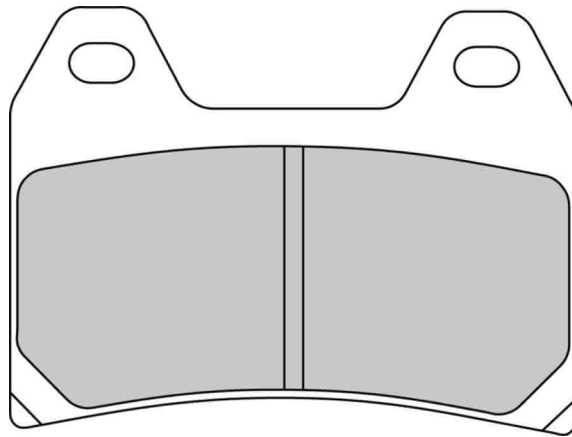
P	PRP	AG	SG	ST	CP1	XRAC
✓						

For BUYER'S GUIDE see page 3000

For CROSS REFERENCES see pages 7000 (pads) and 8000 (shoes)

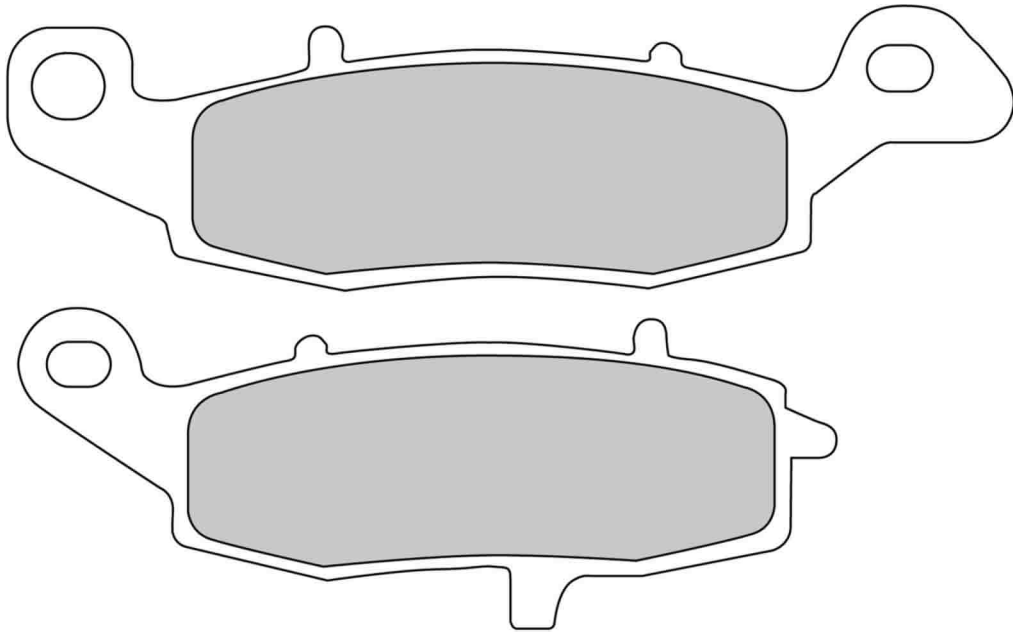
5074

FERODO
MOTORCYCLE PADS



ALSO AVAILABLE		
SHAPE	TH. MM	NOTES
FDB2099	7.6	

MATERIAL AVAILABILITY						
P	PRP	AG	SG	ST	CP1	XRAC
✓				✓	✓	✓



ALSO AVAILABLE		
SHAPE	TH. MM	NOTES
FDB2049		Coupled set

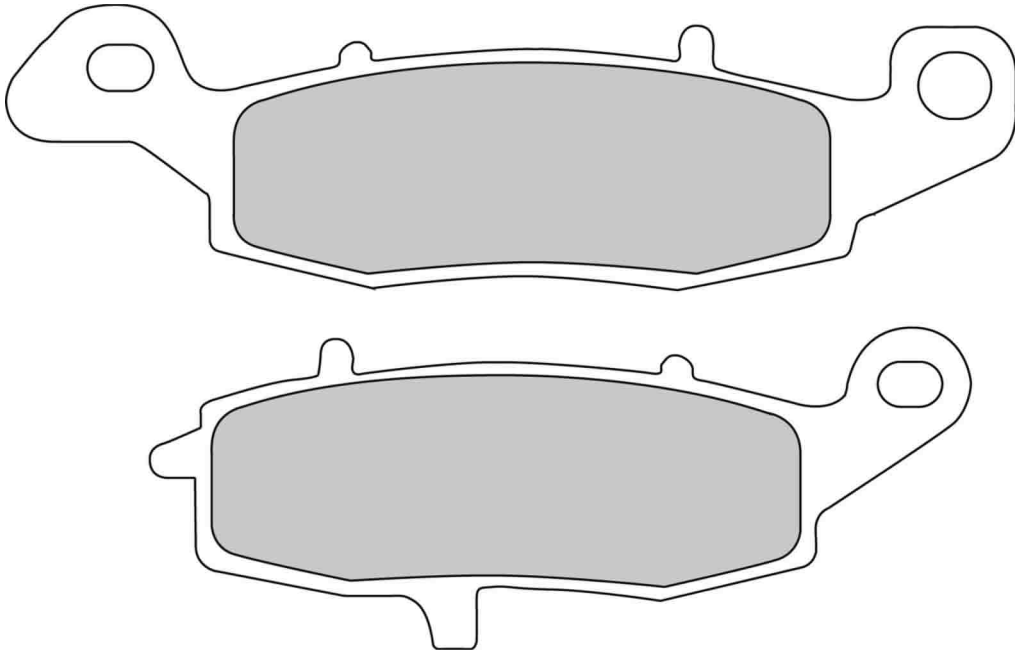
MATERIAL AVAILABILITY						
P	PRP	AG	SG	ST	CP1	XRAC
✓				✓	✓	✓

FDB2049

133.6 x 36.5 x 8.4 mm / 109.2 x 44.0 x 8.4 mm

CFMOTO, KAWASAKI, SUZUKI

FRONT / REAR



ALSO AVAILABLE

SHAPE	TH. MM	NOTES
FDB2048		Coupled set

MATERIAL AVAILABILITY

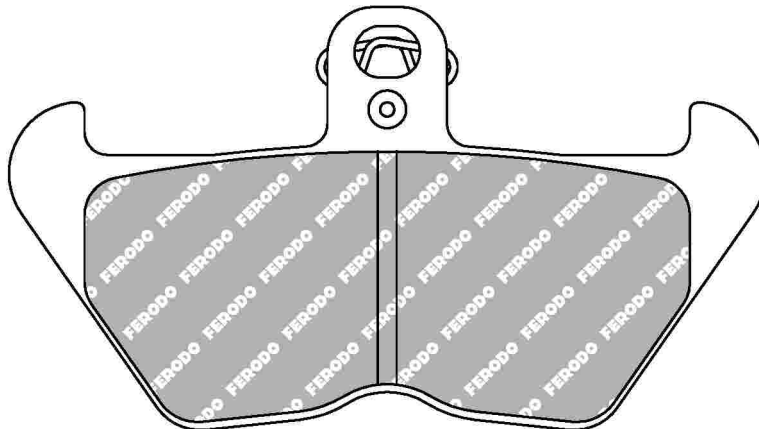
P	PRP	AG	SG	ST	CP1	XRAC
✓				✓	✓	✓

FDB2050

100.1 x 55.9 x 8.4 mm

BMW

FRONT



MATERIAL AVAILABILITY

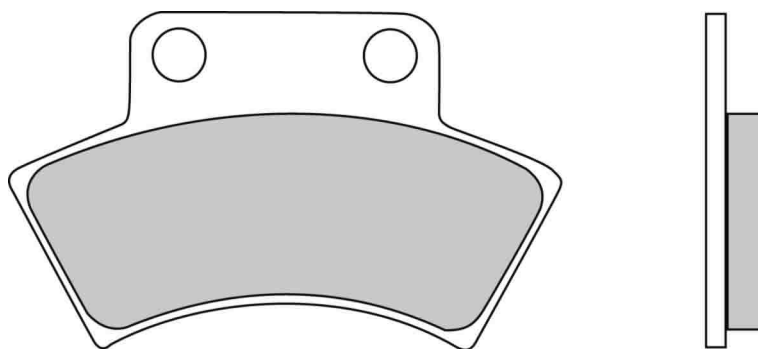
P	PRP	AG	SG	ST	CP1	XRAC
✓				✓		

FDB2054

73.5 x 43.5 x 7.2 mm

PGO ATV, POLARIS ATV, QUADZILLA

FRONT / REAR



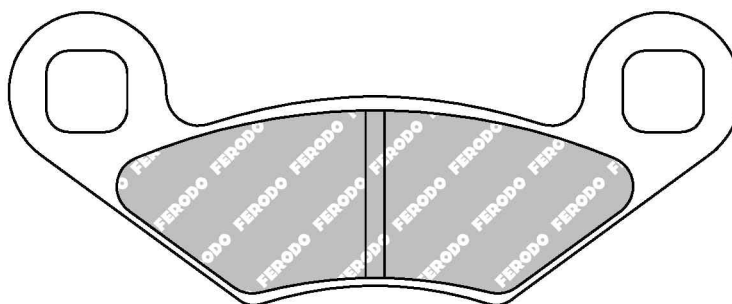
MATERIAL AVAILABILITY						
P	PRP	AG	SG	ST	CP1	XRAC
			✓			

FDB2055

97.0 x 39.5 x 6.9 mm

POLARIS ATV

FRONT / REAR



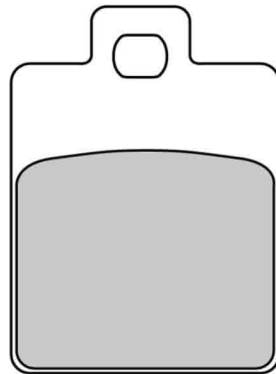
MATERIAL AVAILABILITY						
P	PRP	AG	SG	ST	CP1	XRAC
			✓			



MATERIAL AVAILABILITY						
P	PRP	AG	SG	ST	CP1	XRAC

CPI, DERBI, GILERA, KEEWAY, PEUGEOT, PGO, PIAGGIO, SYM

FRONT / REAR



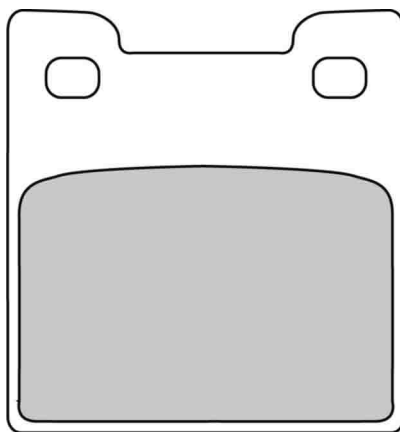
MATERIAL AVAILABILITY						
P	PRP	AG	SG	ST	CP1	XRAC
		✓				

FDB2058

52.7 x 56.4 x 8.6 mm

SUZUKI

REAR



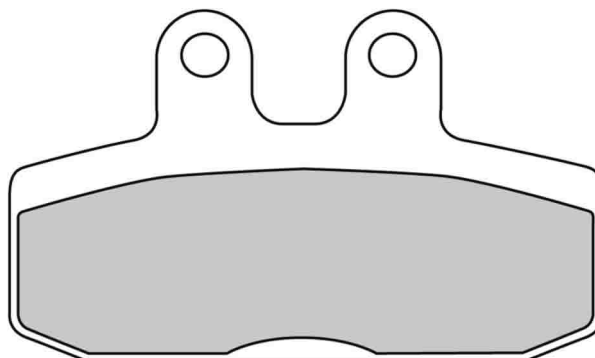
MATERIAL AVAILABILITY						
P	PRP	AG	SG	ST	CP1	XRAC
✓						

FDB2060

78.7 x 47.0 x 7.4 mm

APRILIA, HONDA, MOTO GUZZI

FRONT / REAR



ALSO AVAILABLE		
SHAPE	TH. MM	NOTES
FDB438		Material swept depth different

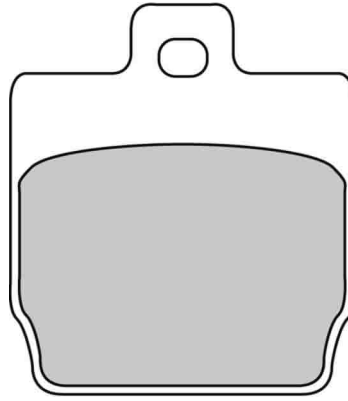
MATERIAL AVAILABILITY						
P	PRP	AG	SG	ST	CP1	XRAC
✓		✓				

FDB2062

45.7 x 52.6 x 6.4 mm

CPI, MBK, YAMAHA

FRONT / REAR



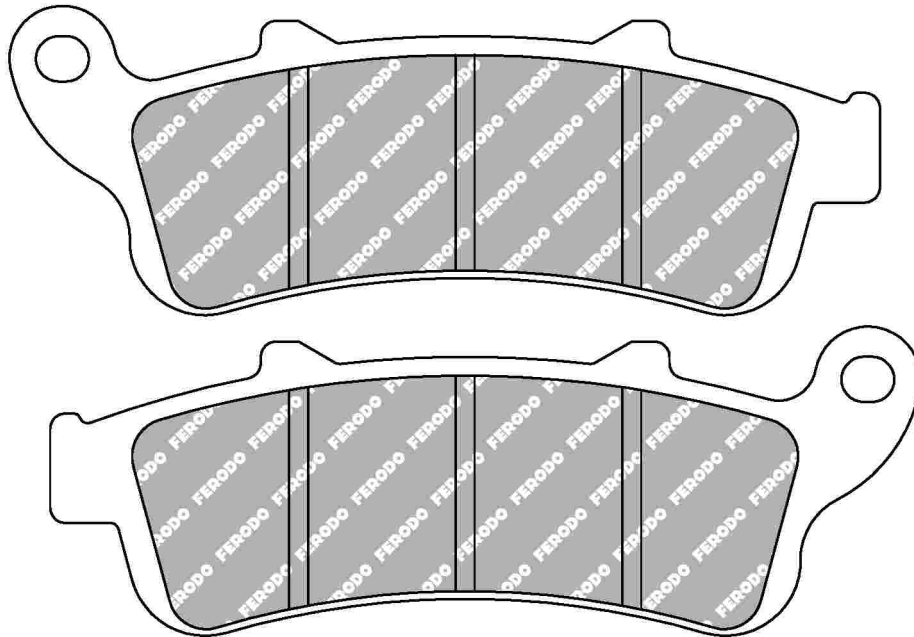
MATERIAL AVAILABILITY						
P	PRP	AG	SG	ST	CP1	XRAC
		✓				

FDB2073

115.6 x 41.0 x 8.0 mm

HONDA, KAWASAKI

FRONT / REAR



ALSO AVAILABLE		
SHAPE	TH. MM	NOTES
FDB2075	9.4	
FDB2098	8.3	

MATERIAL AVAILABILITY						
P	PRP	AG	SG	ST	CP1	XRAC
✓				✓		

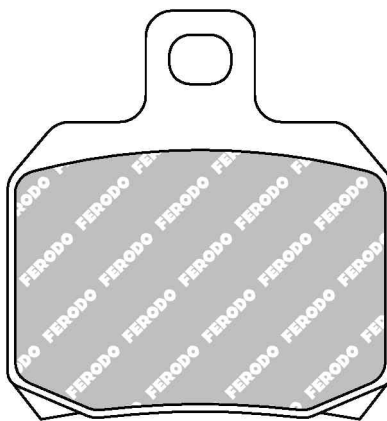
For BUYER'S GUIDE see page 3000

For CROSS REFERENCES see pages 7000 (pads) and 8000 (shoes)

FDB2074

51.0 x 54.0 x 7.5 mm

ADIVA, APRILIA, BENELLI, BIMOTA, BOMBARDIER ATV, CAGIVA, CFMOTO, CPI, DERBI, DUCATI, GILERA, HONDA, KAWASAKI, KEEWAY, FRONT / REAR
KTM, LAVERDA, MALAGUTI, MBK, MOTO GUZZI, MOTO MORINI, MV AGUSTA, PEUGEOT, PIAGGIO, RIEJU, SINNIS, YAMAHA



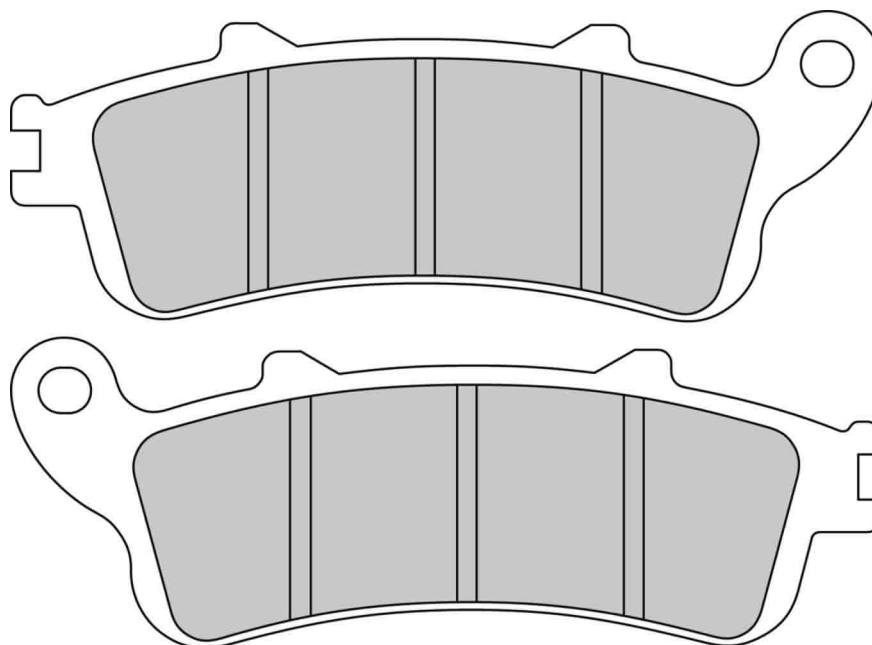
MATERIAL AVAILABILITY						
P	PRP	AG	SG	ST	CP1	XRAC
✓		✓		✓		

FDB2075

115.6 x 41.0 x 9.4 mm

DUCATI, HONDA, PEUGEOT

FRONT / REAR



ALSO AVAILABLE		
SHAPE	TH. MM	NOTES
FDB2073	8.0	
FDB2098	8.3	

MATERIAL AVAILABILITY						
P	PRP	AG	SG	ST	CP1	XRAC
✓				✓		

For BUYER'S GUIDE see page 3000

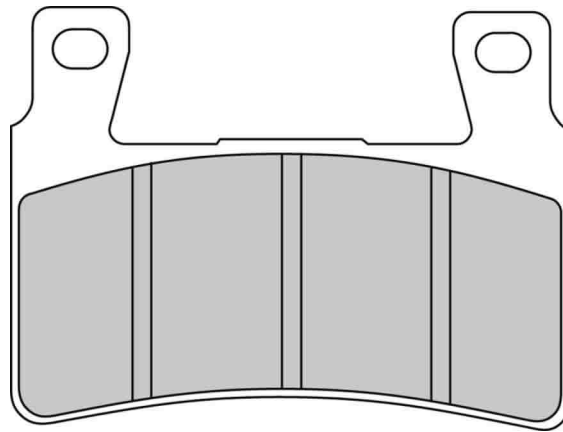
For CROSS REFERENCES see pages 7000 (pads) and 8000 (shoes)

FDB2079

74.0 x 55.1 x 9.0 mm

HONDA, KAWASAKI

FRONT



ALSO AVAILABLE

SHAPE	TH. MM	NOTES
FDB2114	7.1	Road Version

MATERIAL AVAILABILITY

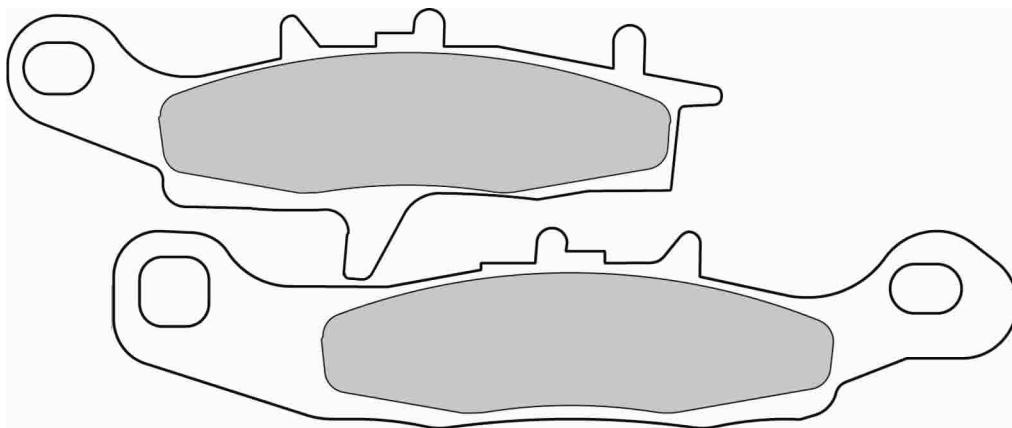
P	PRP	AG	SG	ST	CP1	XRAC
✓				✓	✓	✓

FDB2080

94.5 x 35.8 x 7.3 mm / 119.7 x 26.6 x 6.8 mm

KAWASAKI, KAWASAKI ATV, SUZUKI

FRONT



ALSO AVAILABLE

SHAPE	TH. MM	NOTES
FDB2188		Coupled set

MATERIAL AVAILABILITY

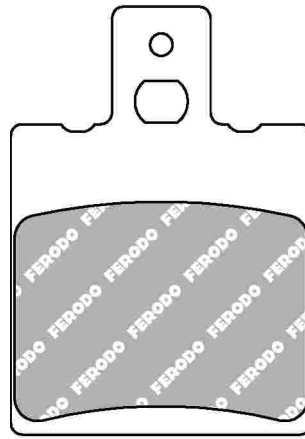
P	PRP	AG	SG	ST	CP1	XRAC
			✓			

FDB2081

39.8 x 56.7 x 8.0 mm

APRILIA, BENELLI, BETA, MALAGUTI

FRONT / REAR



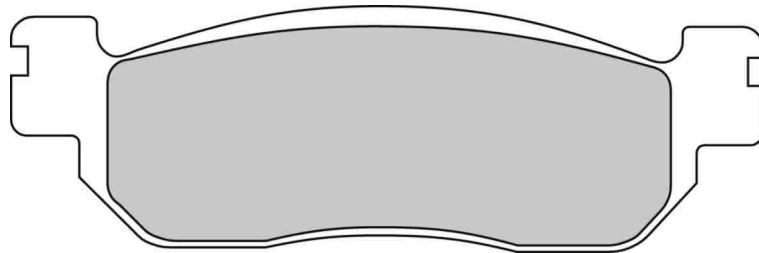
MATERIAL AVAILABILITY						
P	PRP	AG	SG	ST	CP1	XRAC
		✓				

FDB2083

99.8 x 31.0 x 9.0 mm

ITALJET, LINHAI, MBK, YAMAHA

FRONT / REAR



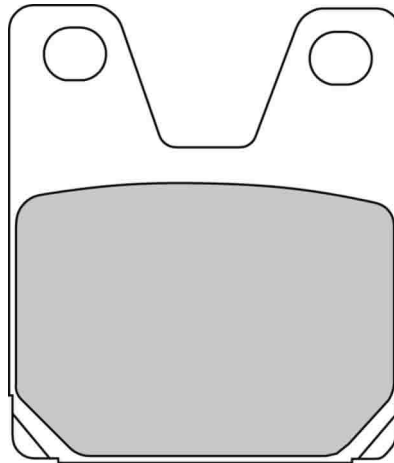
MATERIAL AVAILABILITY						
P	PRP	AG	SG	ST	CP1	XRAC
✓		✓		✓		

FDB2084

51.9 x 59.8 x 8.6 mm

YAMAHA

REAR



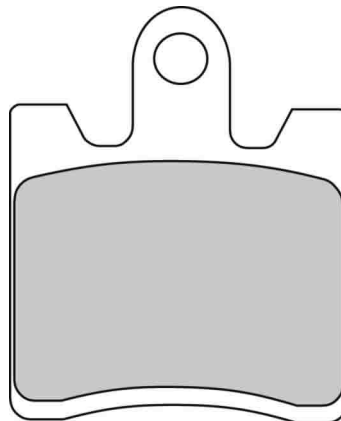
MATERIAL AVAILABILITY						
P	PRP	AG	SG	ST	CP1	XRAC
✓				✓		

FDB2085

44.8 x 53.5 x 8.6 mm

KAWASAKI, SUZUKI, SYM, TRIUMPH, YAMAHA
Set of 4 Pads

FRONT



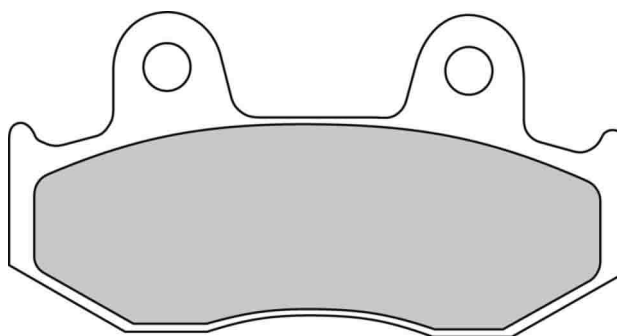
MATERIAL AVAILABILITY						
P	PRP	AG	SG	ST	CP1	XRAC
✓		✓		✓		

FDB2086

81.4 x 42.2 x 8.3 mm

SUZUKI

REAR



ALSO AVAILABLE

SHAPE	TH. MM	NOTES
FDB2119	9.0	
FDB2132	8.3	pin on the backplate
FDB382	7.5	

MATERIAL AVAILABILITY

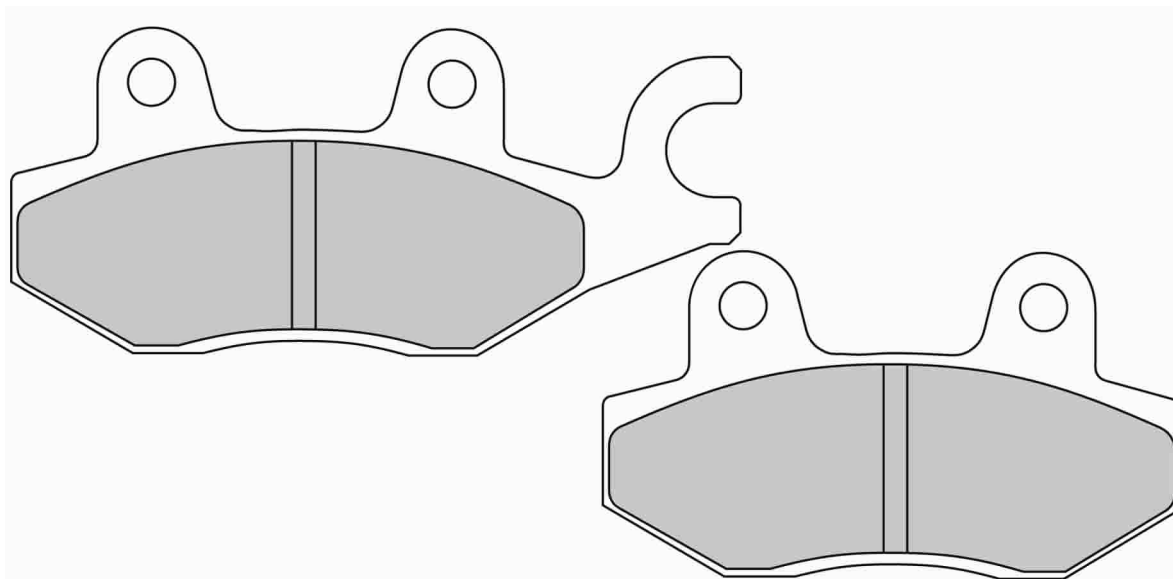
P	PRP	AG	SG	ST	CP1	XRAC
✓						

FDB2087

77.0 x 42.0 x 8.8 mm / 96.6 x 42.0 x 8.8 mm

HONDA, KEEWAY, KSR MOTO BY GENERIC, KYMCO, PEUGEOT, PGO, SINNIS, SUZUKI, SYM

FRONT / REAR



ALSO AVAILABLE

SHAPE	TH. MM	NOTES
FDB631	7.6	Without slot

MATERIAL AVAILABILITY

P	PRP	AG	SG	ST	CP1	XRAC
		✓				

For BUYER'S GUIDE see page 3000

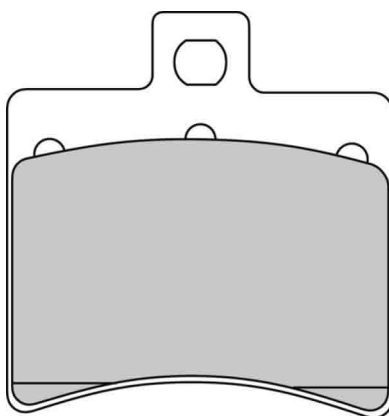
For CROSS REFERENCES see pages 7000 (pads) and 8000 (shoes)

FDB2090

51.1 x 53.5 x 9.5 mm

APRILIA, BENELLI, BETA, KEEWAY, KSR MOTO BY GENERIC, MALAGUTI, TGB

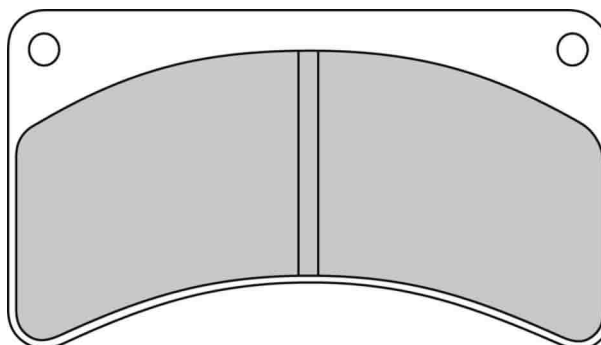
FRONT / REAR



MATERIAL AVAILABILITY						
P	PRP	AG	SG	ST	CP1	XRAC
✓		✓				

FDB2091

79.7 x 43.9 x 10.3 mm



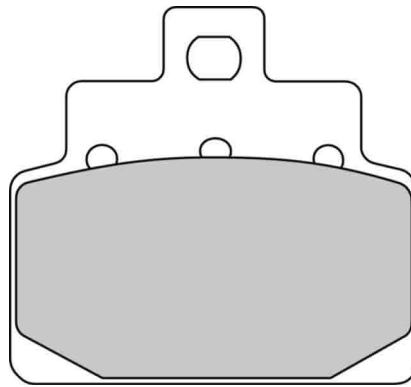
MATERIAL AVAILABILITY						
P	PRP	AG	SG	ST	CP1	XRAC
✓						

FDB2095

54.0 x 50.7 x 8.1 mm

APRILIA

FRONT / REAR



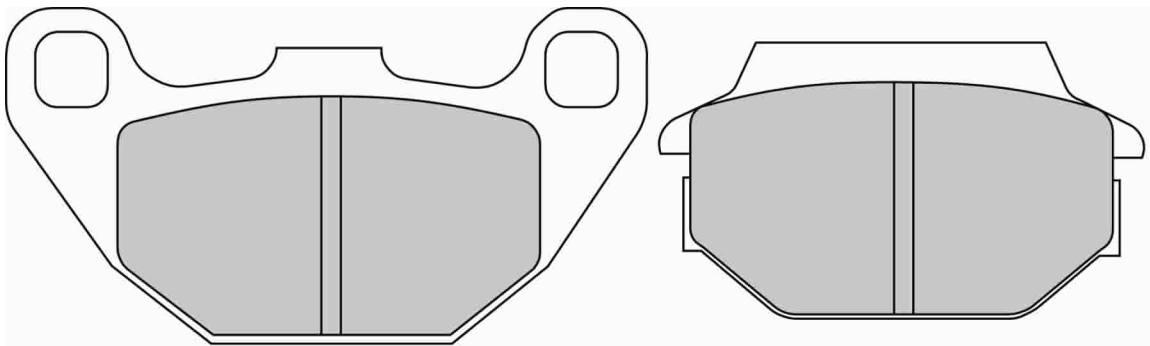
MATERIAL AVAILABILITY						
P	PRP	AG	SG	ST	CP1	XRAC
		✓				

FDB2096

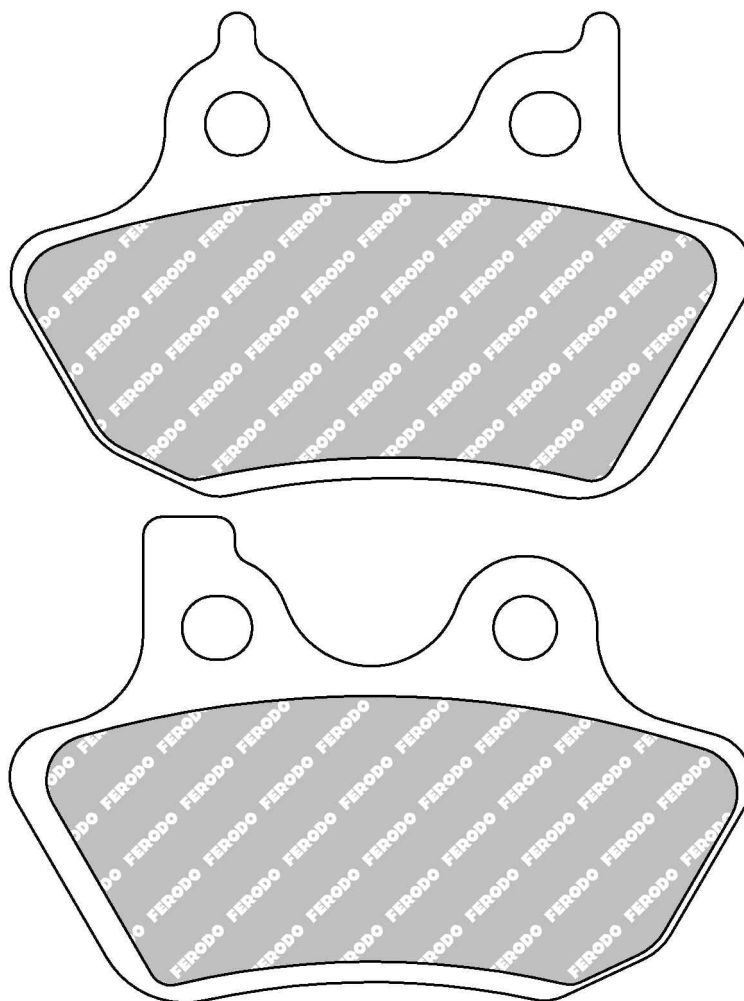
85.0 x 43.0 x 8.5 mm / 64.0 x 36.8 x 10.9 mm

ARCTIC CAT ATV, KAWASAKI ATV, KYMCO, KYMCO ATV, LAVERDA, SYM

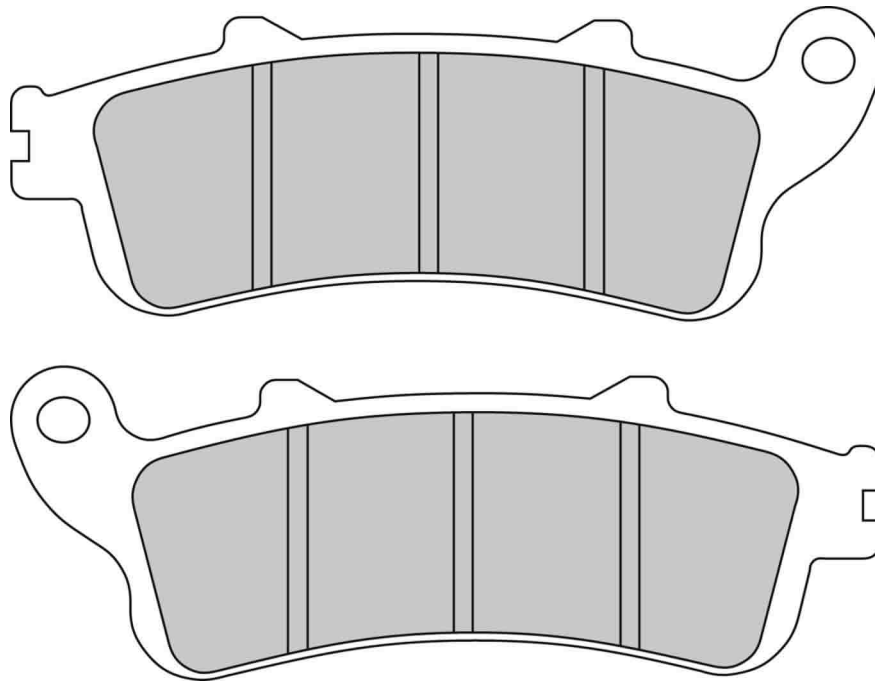
FRONT / REAR



MATERIAL AVAILABILITY						
P	PRP	AG	SG	ST	CP1	XRAC
		✓	✓			



MATERIAL AVAILABILITY						
P	PRP	AG	SG	ST	CP1	XRAC
✓	✓			✓		



ALSO AVAILABLE		
SHAPE	TH. MM	NOTES
FDB2073	8.0	
FDB2075	9.4	

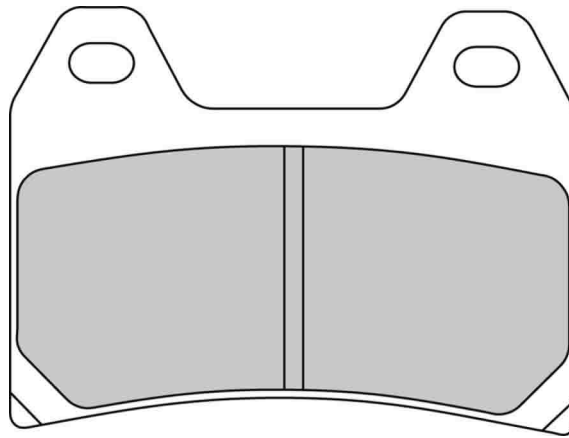
MATERIAL AVAILABILITY						
P	PRP	AG	SG	ST	CP1	XRAC
✓				✓		

FDB2099

75.2 x 55.2 x 7.6 mm

APRILIA, HONDA, HUSQVARNA, VICTORY

FRONT



ALSO AVAILABLE

SHAPE	TH. MM	NOTES
FDB2042	9.4	

MATERIAL AVAILABILITY

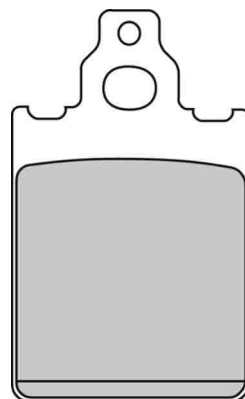
P	PRP	AG	SG	ST	CP1	XRAC
✓						

FDB2100

31.7 x 51.1 x 6.0 mm

PIAGGIO

FRONT



ALSO AVAILABLE

SHAPE	TH. MM	NOTES
FDB784	5.6	Different friction material area

MATERIAL AVAILABILITY

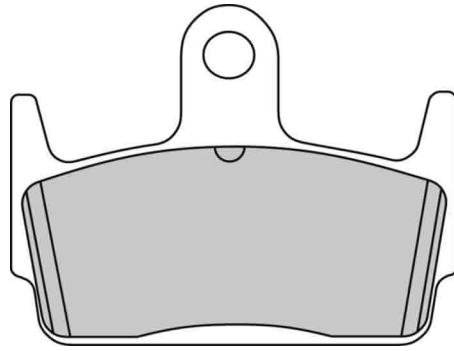
P	PRP	AG	SG	ST	CP1	XRAC
		✓				

FDB2101

59.1 x 44.6 x 9.6 mm

HONDA, KYMCO, SYM

REAR



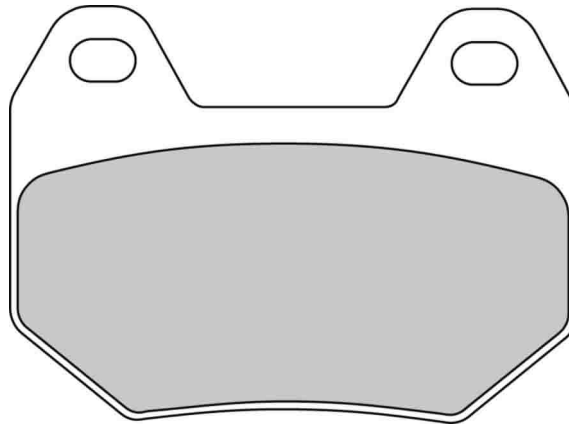
MATERIAL AVAILABILITY						
P	PRP	AG	SG	ST	CP1	XRAC
		✓				

FDB2102

74.9 x 54.5 x 9.0 mm

BMW

REAR



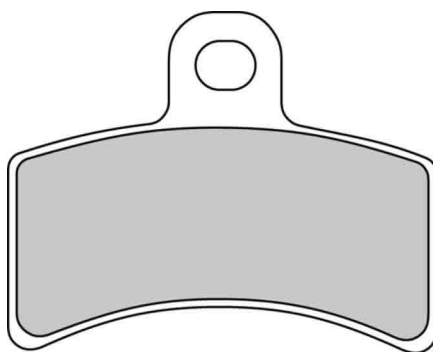
MATERIAL AVAILABILITY						
P	PRP	AG	SG	ST	CP1	XRAC
✓				✓		

FDB2103

56.9 x 44.3 x 6.5 mm

GASGAS

FRONT / REAR



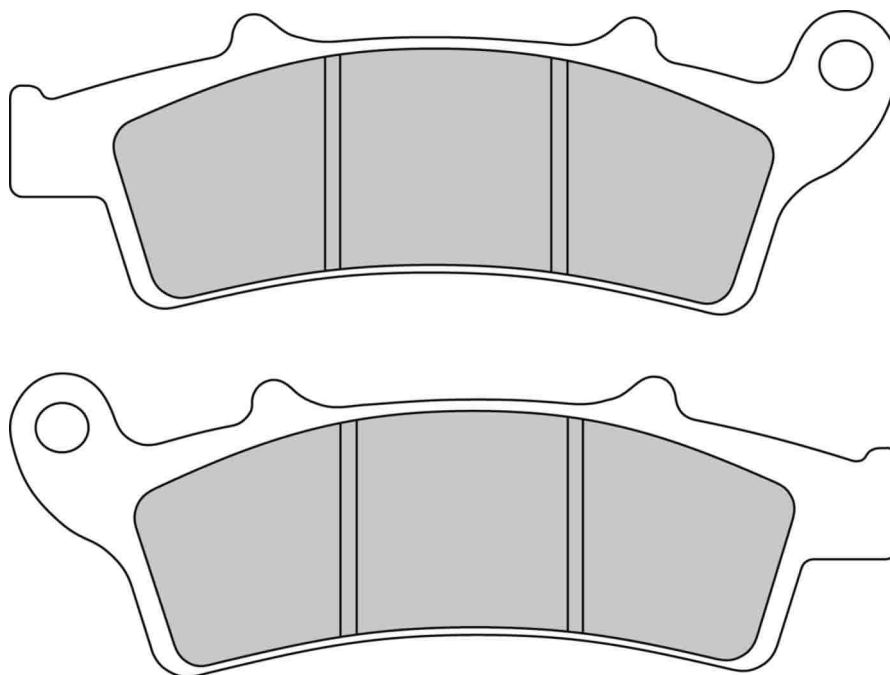
MATERIAL AVAILABILITY						
P	PRP	AG	SG	ST	CP1	XRAC
✓						

FDB2105

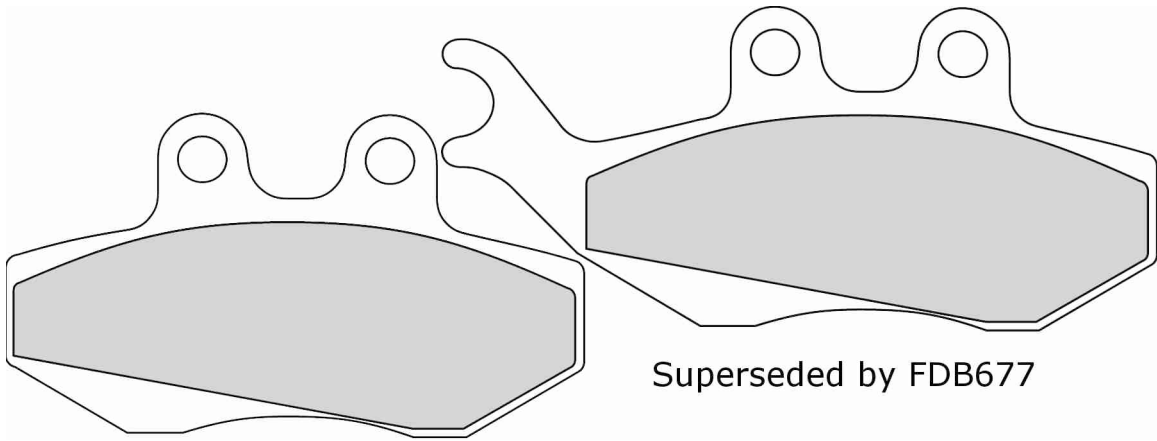
117.5 x 41.3 x 8.6 mm

APRILIA, KYMCO, MALAGUTI, PEUGEOT, PIAGGIO

FRONT



MATERIAL AVAILABILITY						
P	PRP	AG	SG	ST	CP1	XRAC
		✓				

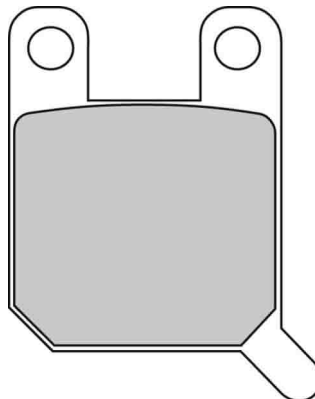


Superseded by FDB677

MATERIAL AVAILABILITY						
P	PRP	AG	SG	ST	CP1	XRAC

FDB2107

ALFER, APRILIA, BETA, BULTACO, CPI, DERBI, FANTIC, FB MINARELLI, GASGAS, MONTESA, MONTESA (HONDA), PUCH, RIEJU, FRONT / REAR
SHERCO, YAMAHA



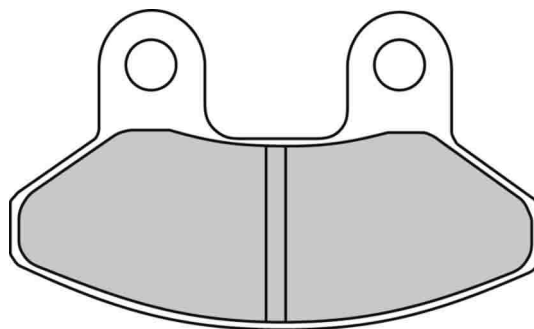
MATERIAL AVAILABILITY						
P	PRP	AG	SG	ST	CP1	XRAC
✓						

FDB2108

70.2 x 41.8 x 8.1 mm

LAVERDA, SYM

FRONT



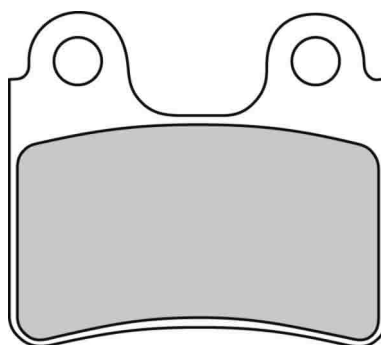
MATERIAL AVAILABILITY						
P	PRP	AG	SG	ST	CP1	XRAC
		✓				

FDB2109

50.1 x 43.5 x 6.0 mm

AJP, BETA, GASGAS, MONTESSA (HONDA), SCORPA, SHERCO

FRONT / REAR



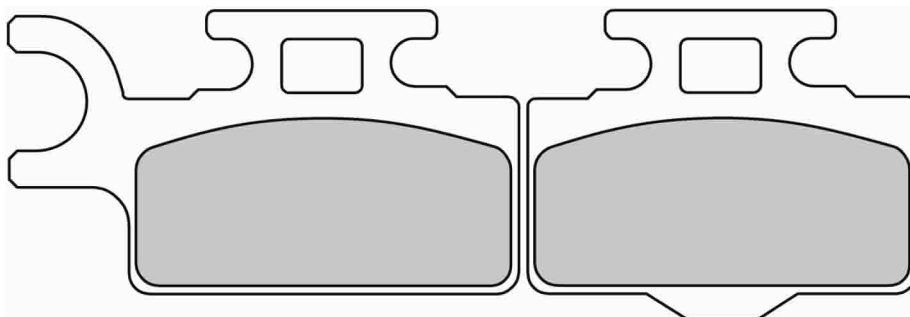
MATERIAL AVAILABILITY						
P	PRP	AG	SG	ST	CP1	XRAC
✓			✓			

FDB2110

67.7 x 36.5 x 7.5 mm / 51.9 x 40.0 x 7.5 mm

KAWASAKI, SUZUKI

FRONT



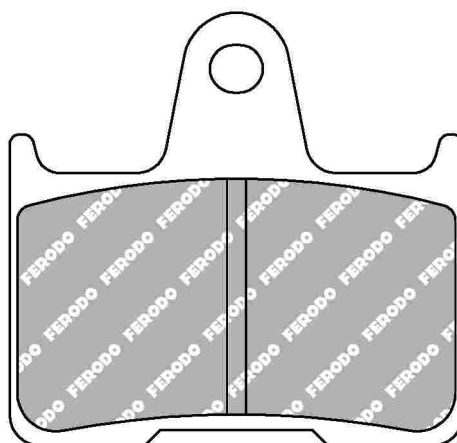
MATERIAL AVAILABILITY						
P	PRP	AG	SG	ST	CP1	XRAC
			✓			

FDB2111

59.9 x 57.2 x 8.1 mm

HARLEY DAVIDSON, HONDA, KAWASAKI, SUZUKI, YAMAHA SNOWMOBILE

REAR



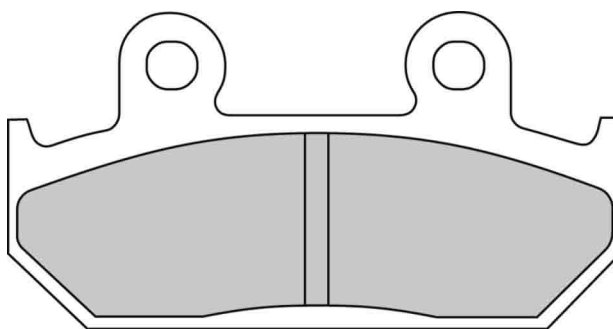
MATERIAL AVAILABILITY						
P	PRP	AG	SG	ST	CP1	XRAC
✓			✓	✓		

FDB2113

81.2 x 42.0 x 9.5 mm

HONDA

FRONT



ALSO AVAILABLE		
SHAPE	TH. MM	NOTES
FDB462	8.0	

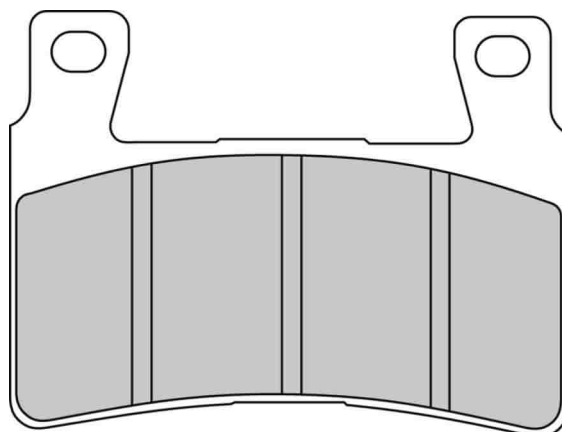
MATERIAL AVAILABILITY						
P	PRP	AG	SG	ST	CP1	XRAC
✓						

FDB2114

74.0 x 55.1 x 7.1 mm

HARLEY DAVIDSON, HONDA

FRONT



ALSO AVAILABLE		
SHAPE	TH. MM	NOTES
FDB2079	9.0	Racing version

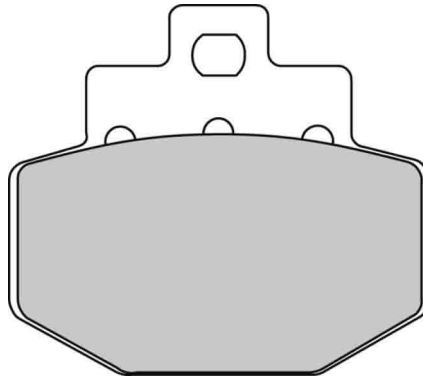
MATERIAL AVAILABILITY						
P	PRP	AG	SG	ST	CP1	XRAC
✓				✓		✓

FDB2115

55.6 x 49.1 x 7.2 mm

BENELLI, GILERA, PIAGGIO

FRONT / REAR



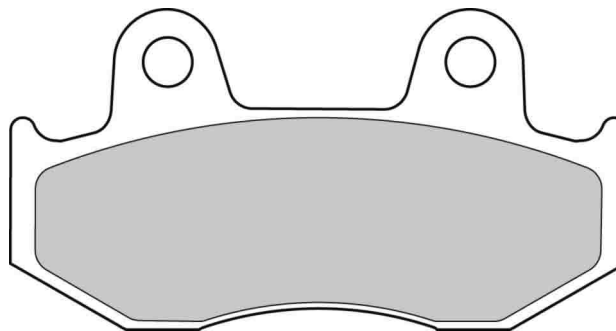
MATERIAL AVAILABILITY						
P	PRP	AG	SG	ST	CP1	XRAC
✓		✓				

FDB2119

81.3 x 42.1 x 9.4 mm

HONDA, YAMAHA ATV

FRONT / REAR



ALSO AVAILABLE		
SHAPE	TH. MM	NOTES
FDB2086	8.0	
FDB2132	8.3	pin on the backplate
FDB382	7.5	

MATERIAL AVAILABILITY						
P	PRP	AG	SG	ST	CP1	XRAC
✓		✓	✓			

FDB2120

35.2 x 39.7 x 7.6 mm

APRILIA, BENELLI, BIMOTA, CAGIVA, DERBI, DUCATI, HUSQVARNA, KTM, LAVERDA, MOTO GUZZI, MV AGUSTA, SHERCO, TM, TRIUMPH
Set of 4 Pads

FRONT



ALSO AVAILABLE

SHAPE	TH. MM	NOTES
FDB2215	8.5	Racing Applications

MATERIAL AVAILABILITY

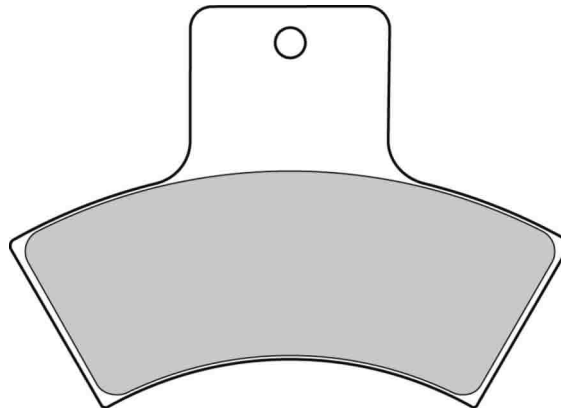
P	PRP	AG	SG	ST	CP1	XRAC
				✓		✓

FDB2121

74.2 x 53.2 x 7.0 mm

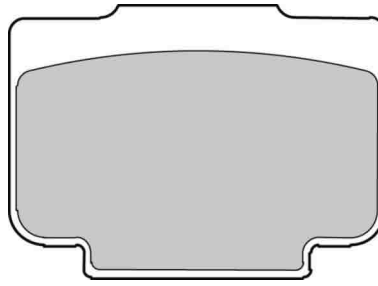
POLARIS ATV, QUADZILLA

FRONT / REAR



MATERIAL AVAILABILITY

P	PRP	AG	SG	ST	CP1	XRAC
			✓			

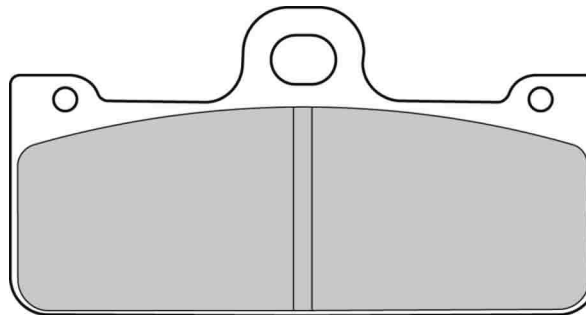
FDB2122**49.8 x 36.0 x 8.1 mm****MATERIAL AVAILABILITY**

P	PRP	AG	SG	ST	CP1	XRAC

FDB2123**77.8 x 40.8 x 10.0 mm**

APRILIA, HUSQVARNA, MOTO GUZZI

FRONT

**ALSO AVAILABLE**

SHAPE	TH. MM	NOTES
FDB2007	8.3	

MATERIAL AVAILABILITY

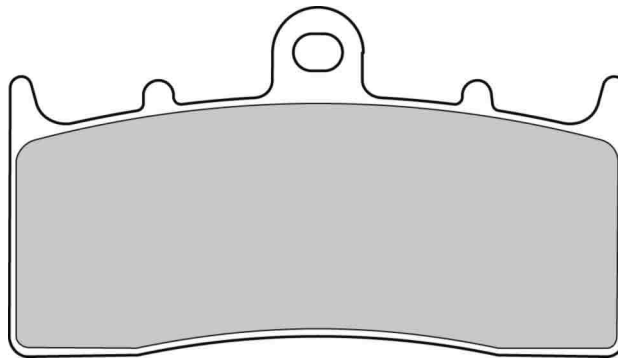
P	PRP	AG	SG	ST	CP1	XRAC
					✓	✓

FDB2124

81.7 x 46.2 x 9.0 mm

BMW, KAWASAKI

FRONT



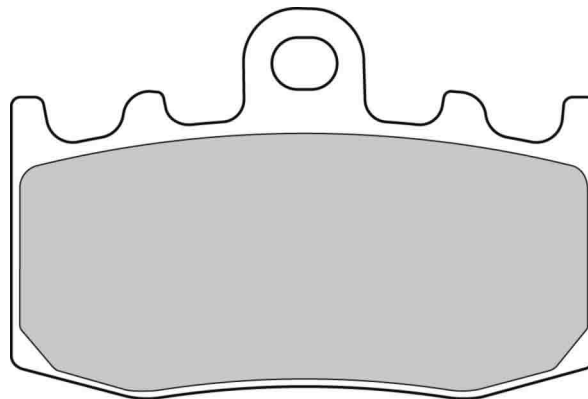
MATERIAL AVAILABILITY						
P	PRP	AG	SG	ST	CP1	XRAC
✓				✓		

FDB2125

77.6 x 51.8 x 8.5 mm

BMW

FRONT



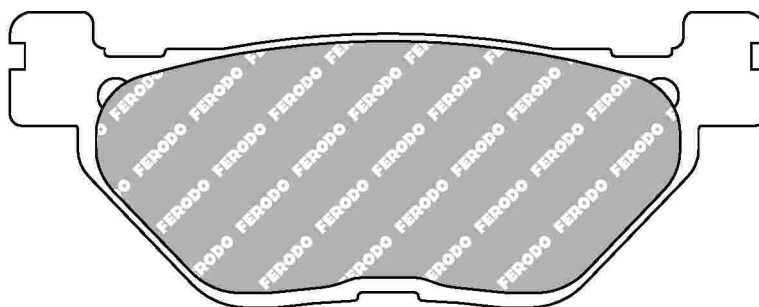
MATERIAL AVAILABILITY						
P	PRP	AG	SG	ST	CP1	XRAC
✓				✓		

FDB2126

100.3 x 39.3 x 12.0 mm

SYM, YAMAHA

REAR



ALSO AVAILABLE		
SHAPE	TH. MM	NOTES
FDB2156	9.5	

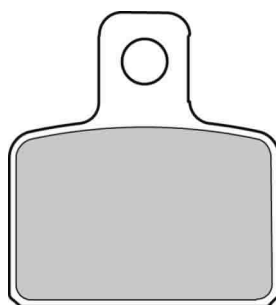
MATERIAL AVAILABILITY						
P	PRP	AG	SG	ST	CP1	XRAC
✓						

FDB2127

36.0 x 39.2 x 6.0 mm

BETA, GASGAS, HUSQVARNA, MONTESA (HONDA), SCORPA, SHERCO

FRONT / REAR



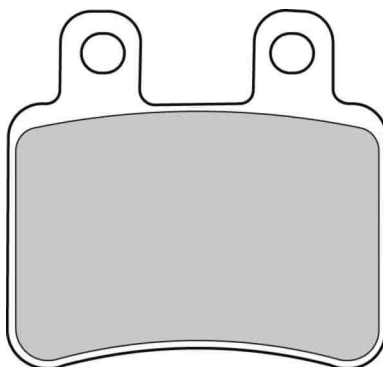
MATERIAL AVAILABILITY						
P	PRP	AG	SG	ST	CP1	XRAC
			✓			

FDB2128

50.3 x 47.5 x 7.0 mm

DERBI, HONDA, ITALJET, PEUGEOT, RIEJU, SCORPA, SHERCO, YAMAHA

FRONT / REAR



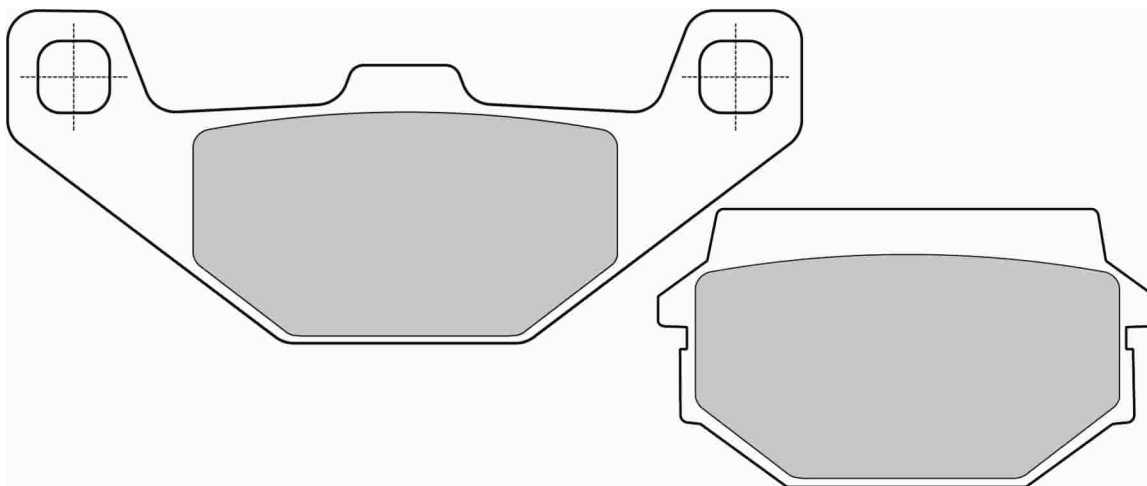
MATERIAL AVAILABILITY						
P	PRP	AG	SG	ST	CP1	XRAC
		✓				

FDB2129

105.3 x 44.2 x 7.9 mm / 66.1 x 36.9 x 12.7 mm

SYM

FRONT



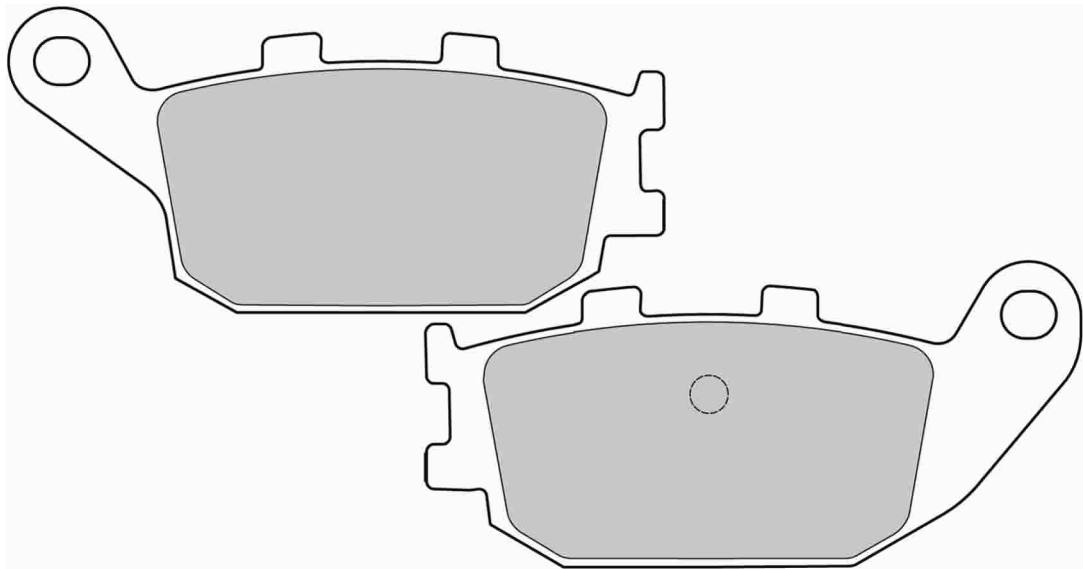
MATERIAL AVAILABILITY						
P	PRP	AG	SG	ST	CP1	XRAC
		⚠	⚠			

FDB2130

87.0 x 40.3 x 8.9 mm

HONDA

REAR



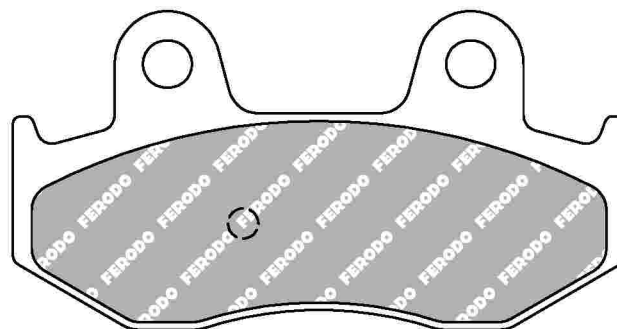
MATERIAL AVAILABILITY						
P	PRP	AG	SG	ST	CP1	XRAC
		✓				

FDB2132

81.2 x 42.2 x 8.3 mm

KAWASAKI, SUZUKI

REAR



ALSO AVAILABLE		
SHAPE	TH. MM	NOTES
FDB2086	8.0	no pin on the backplate
FDB2119	9.0	no pin on the backplate
FDB382	7.5	no pin on the backplate

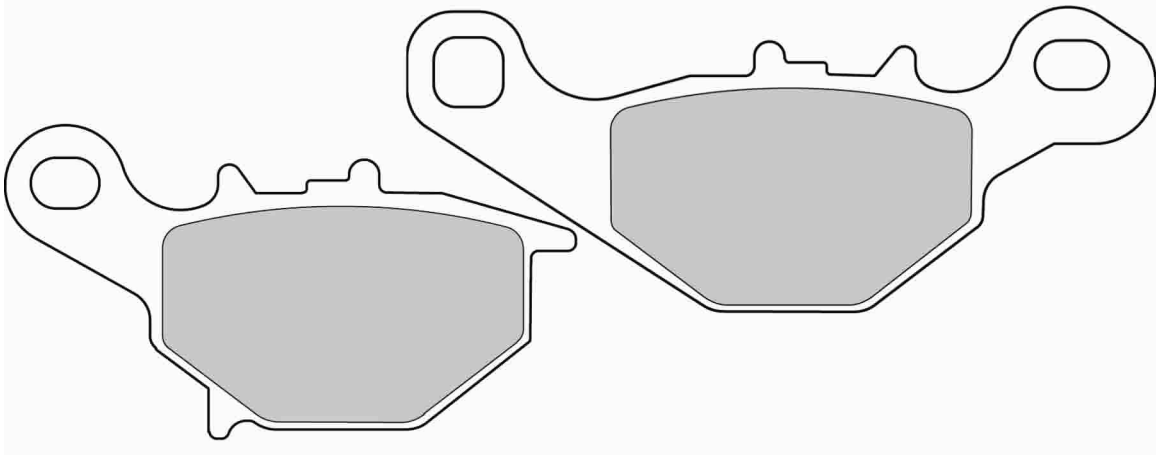
MATERIAL AVAILABILITY						
P	PRP	AG	SG	ST	CP1	XRAC
		✓		✗		

FDB2133

75.7 x 41.5 x 8.2 mm / 99.2 x 40.3 x 7.5 mm

KAWASAKI, SUZUKI

FRONT / REAR



ALSO AVAILABLE		
SHAPE	TH. MM	NOTES
FDB2197		Coupled set

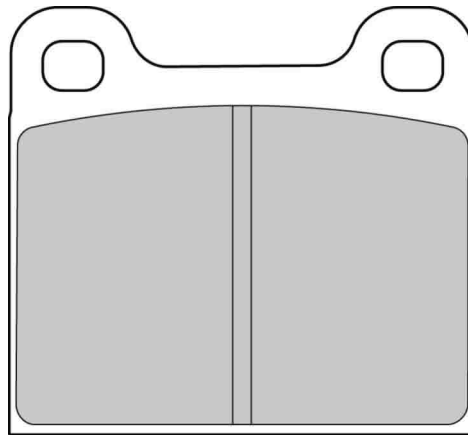
MATERIAL AVAILABILITY						
P	PRP	AG	SG	ST	CP1	XRAC
		✓	✓			

FDB2136

61.8 x 56.6 x 11.5 mm

LYN SNOWMOBILE

REAR



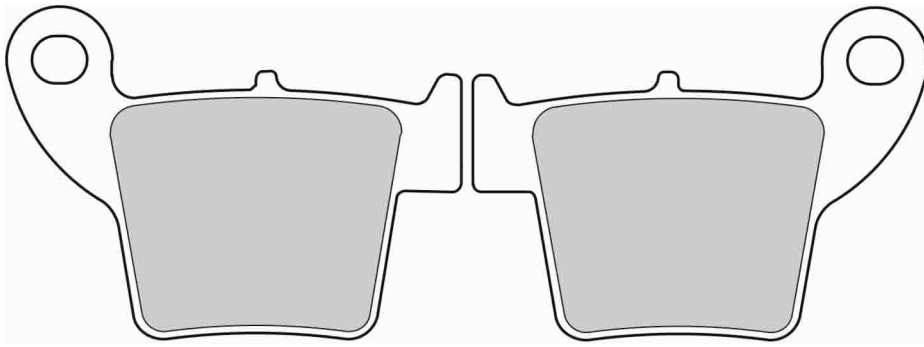
MATERIAL AVAILABILITY						
P	PRP	AG	SG	ST	CP1	XRAC
			✓			

FDB2139

60.2 x 44.2 x 11.0 mm

APRILIA, FANTIC, HONDA, HONDA-HM ITALIA, SUZUKI

REAR



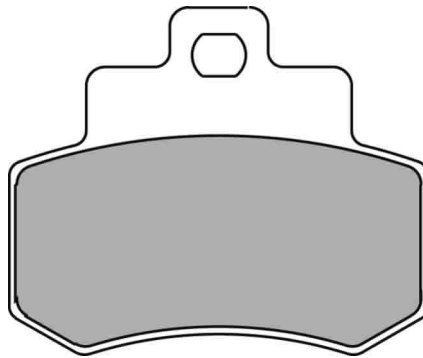
MATERIAL AVAILABILITY						
P	PRP	AG	SG	ST	CP1	XRAC
✓			✓			

FDB2140

55.6 x 46.0 x 7.0 mm

KYMCO

REAR



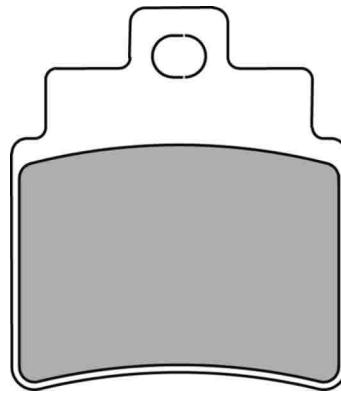
MATERIAL AVAILABILITY						
P	PRP	AG	SG	ST	CP1	XRAC
		✓				

FDB2141

44.6 x 51.2 x 7.0 mm

ARCTIC CAT ATV, KYMCO, KYMCO ATV, SYM
Set of 4 Pads

FRONT / REAR



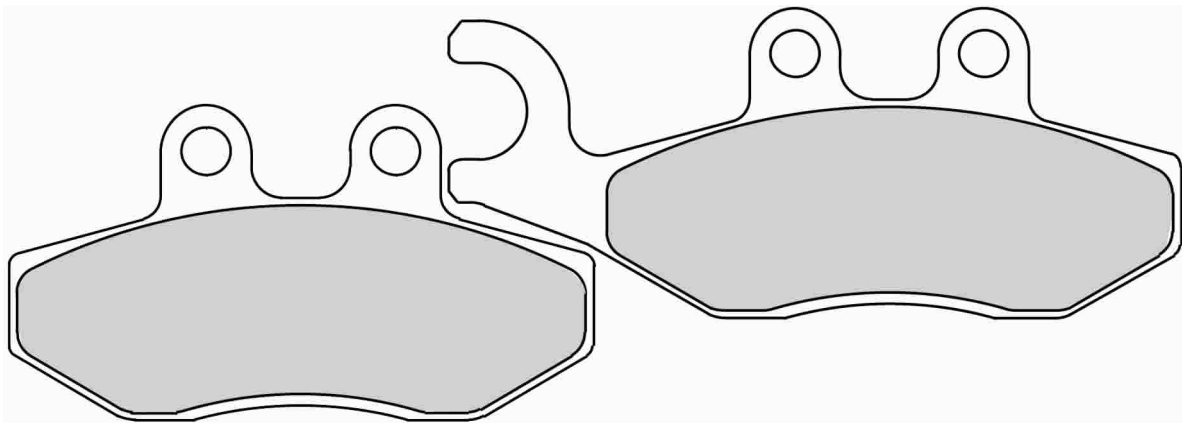
MATERIAL AVAILABILITY						
P	PRP	AG	SG	ST	CP1	XRAC
		✓	✓			

FDB2142

97.1 x 41.2 x 9.0 mm / 77.2 x 41.2 x 9.0 mm

APRILIA, DERBI, GILERA, KEEWAY, PIAGGIO

FRONT / REAR



ALSO AVAILABLE		
SHAPE	TH. MM	NOTES
FDB2186		Coupled set

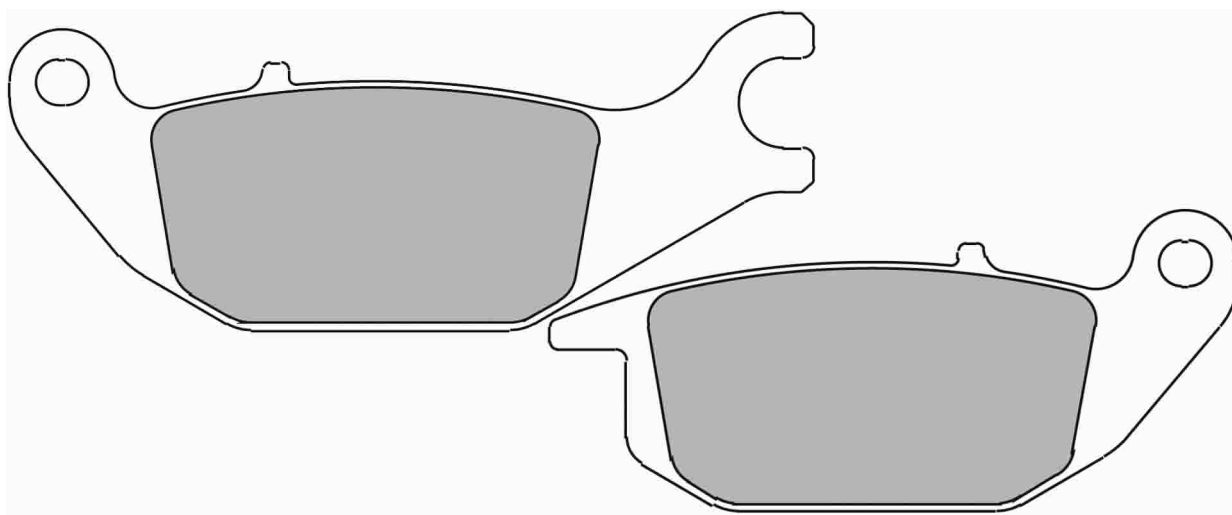
MATERIAL AVAILABILITY						
P	PRP	AG	SG	ST	CP1	XRAC
		✓		✓		

FDB2143

107.2 x 42.5 x 10.0 mm / 91.7 x 40.2 x 10.0 mm

HERO, HONDA, YAMAHA

REAR



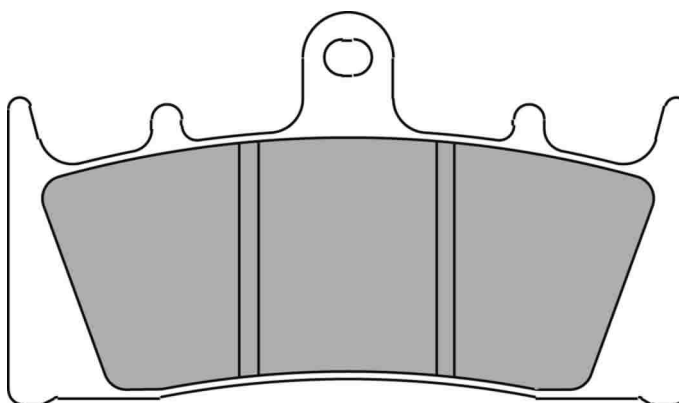
MATERIAL AVAILABILITY						
P	PRP	AG	SG	ST	CP1	XRAC
✓						

FDB2144

90.0 x 52.0 x 9.9 mm

KAWASAKI, SUZUKI

FRONT



ALSO AVAILABLE		
SHAPE	TH. MM	NOTES
FDB873	8.0	

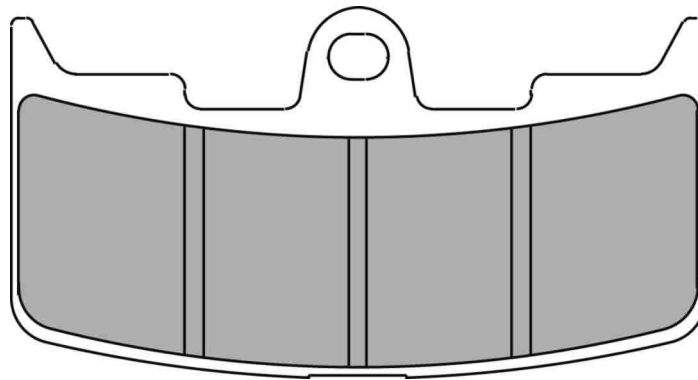
MATERIAL AVAILABILITY						
P	PRP	AG	SG	ST	CP1	XRAC
✓				✓		✓

FDB2145

92.0 x 49.0 x 7.9 mm

BUELL

FRONT



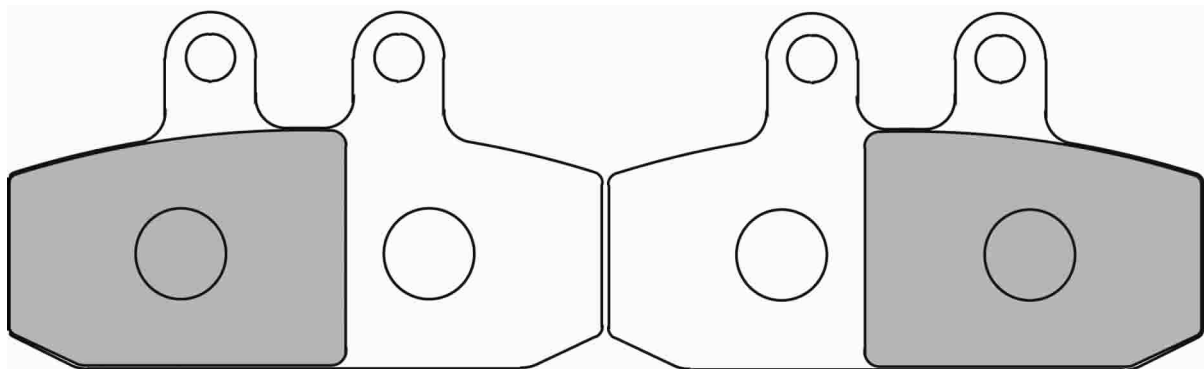
MATERIAL AVAILABILITY						
P	PRP	AG	SG	ST	CP1	XRAC
				✓		✓

FDB2146

79.0 x 47.0 x 7.6 mm

APRILIA

FRONT



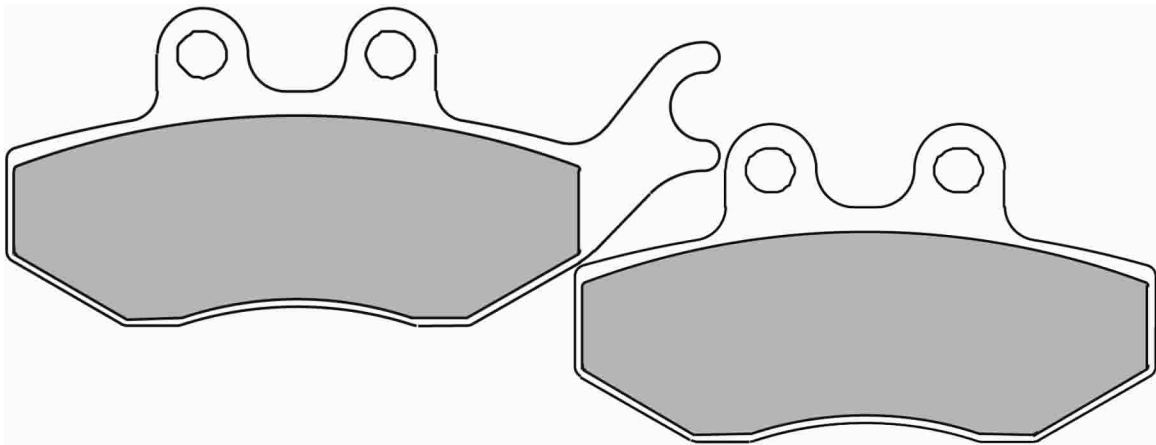
MATERIAL AVAILABILITY						
P	PRP	AG	SG	ST	CP1	XRAC
✓						

FDB2147

94.6 x 42.1 x 7.2 mm / 77.1 x 42.1 x 7.2 mm

ITALJET, RIEJU

FRONT / REAR



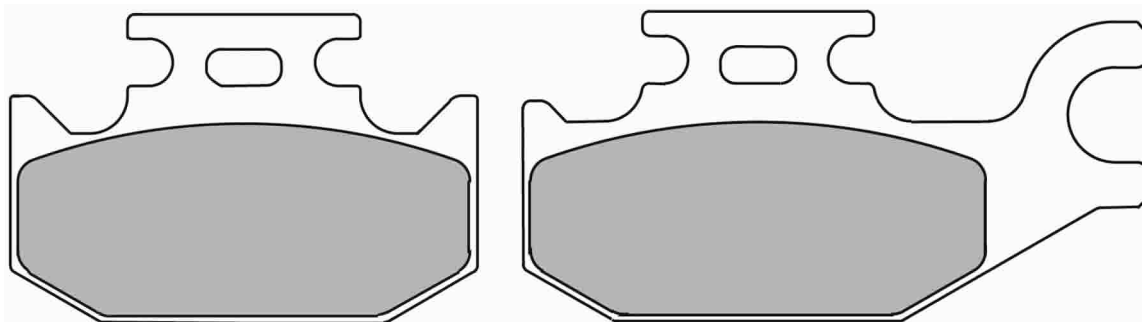
MATERIAL AVAILABILITY						
P	PRP	AG	SG	ST	CP1	XRAC
		✓				

FDB2148

82.2 x 40.9 x 9.4 mm / 62.1 x 40.9 x 9.4 mm

BENELLI, BOMBARDIER ATV, CAN AM ATV, CANNONDALE ATV, JOHN DEERE ATV, SUZUKI, SUZUKI ATV, YAMAHA ATV

FRONT / REAR



ALSO AVAILABLE		
SHAPE	TH. MM	NOTES
FDB2149		Coupled set

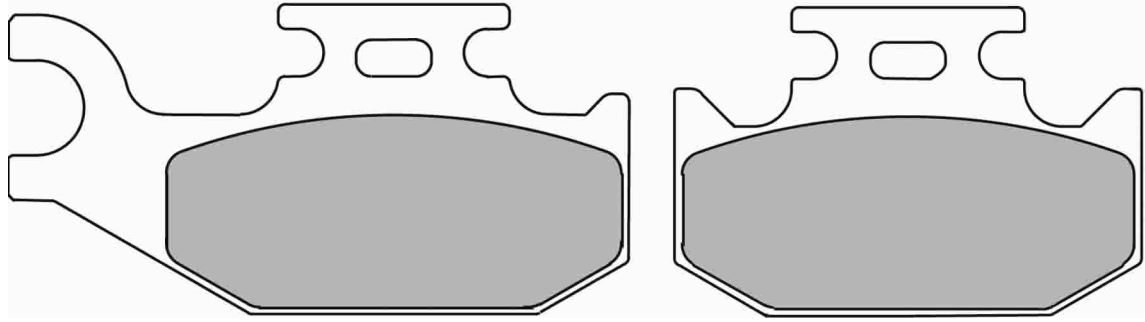
MATERIAL AVAILABILITY						
P	PRP	AG	SG	ST	CP1	XRAC
		✓	✓			

FDB2149

82.2 x 40.9 x 9.4 mm / 62.1 x 40.9 x 9.4 mm

BOMBARDIER ATV, CAN AM ATV, CANNONDALE ATV, JOHN DEERE ATV, SUZUKI ATV, YAMAHA ATV

FRONT / REAR



ALSO AVAILABLE

SHAPE	TH. MM	NOTES
FDB2148		Coupled set

MATERIAL AVAILABILITY

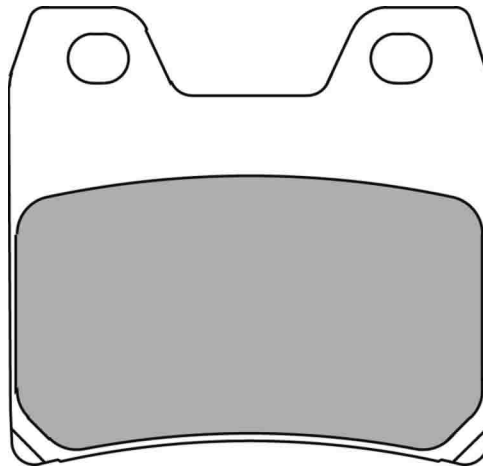
P	PRP	AG	SG	ST	CP1	XRAC
			✓			

FDB2150

63.6 x 60.5 x 8.8 mm

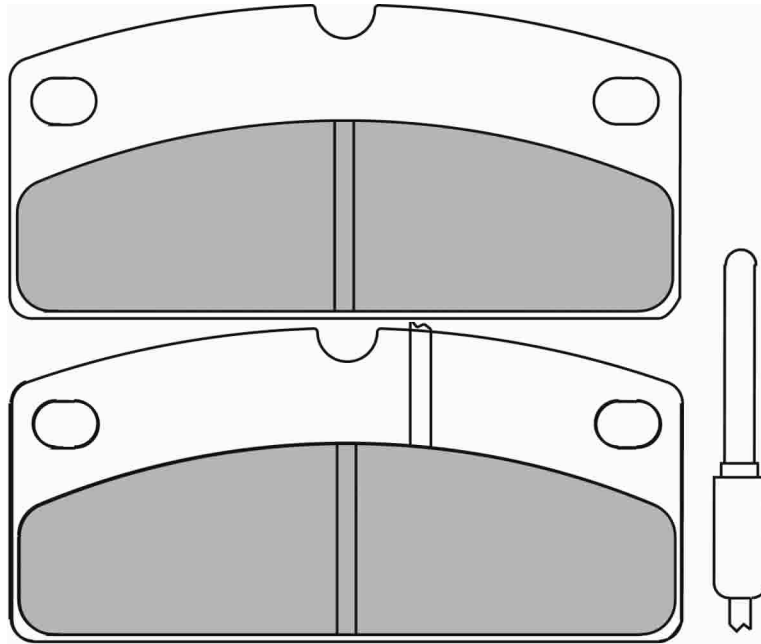
YAMAHA

REAR



MATERIAL AVAILABILITY

P	PRP	AG	SG	ST	CP1	XRAC
				✓		



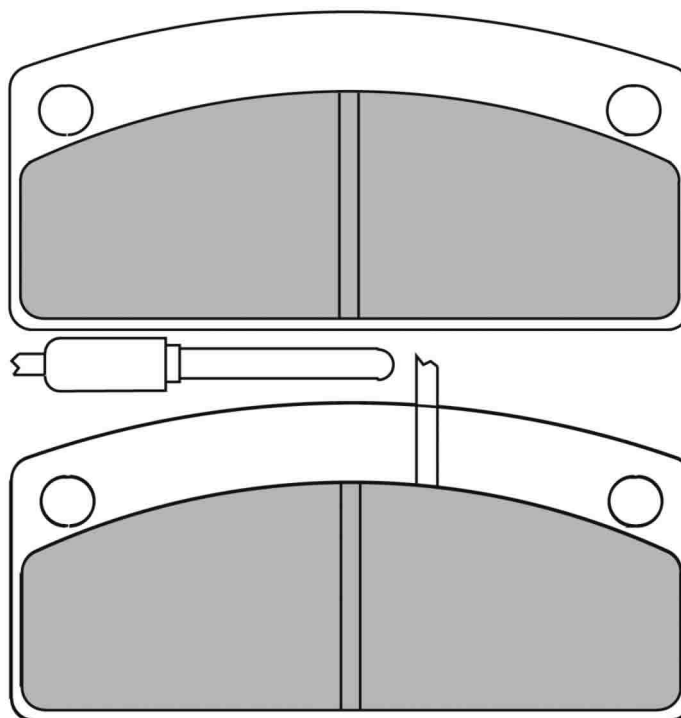
MATERIAL AVAILABILITY						
P	PRP	AG	SG	ST	CP1	XRAC
✓						

FDB2154

89.9 x 42.2 x 9.6 mm

GREKAV
Set of 4 Pads

FRONT



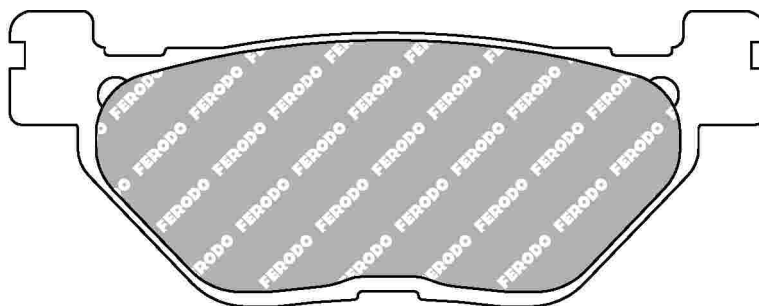
MATERIAL AVAILABILITY						
P	PRP	AG	SG	ST	CP1	XRAC
✓						

FDB2156

100.3 x 39.3 x 9.5 mm

HYOSUNG, YAMAHA

REAR



ALSO AVAILABLE		
SHAPE	TH. MM	NOTES
FDB2126	12.0	

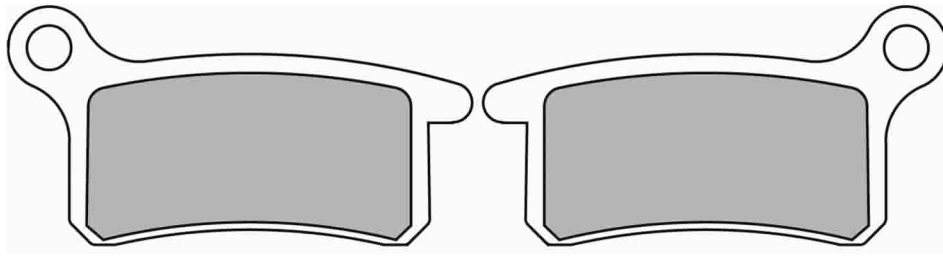
MATERIAL AVAILABILITY						
P	PRP	AG	SG	ST	CP1	XRAC
✓				✓		

FDB2157

61.9 x 31.7 x 6.6 mm

HUSQVARNA, KTM

FRONT / REAR



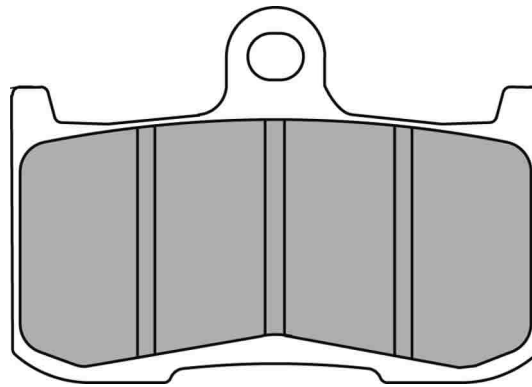
MATERIAL AVAILABILITY						
P	PRP	AG	SG	ST	CP1	XRAC
			✓			

FDB2158

69.8 x 49.6 x 7.1 mm

INDIAN, KAWASAKI, SUZUKI, TRIUMPH, VICTORY

FRONT



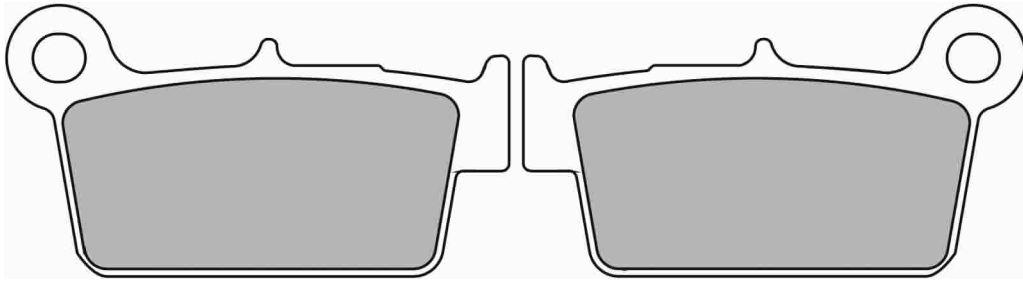
MATERIAL AVAILABILITY						
P	PRP	AG	SG	ST	CP1	XRAC
				✓		

FDB2162

66.9 x 36.0 x 9.4 mm

APRILIA, BETA, HONDA, KAWASAKI, RIEJU, SHERCO, SUZUKI, TM, YAMAHA

REAR



MATERIAL AVAILABILITY

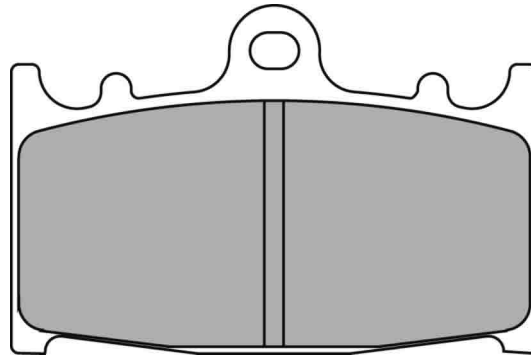
P	PRP	AG	SG	ST	CP1	XRAC
✓			✓			

FDB2163

69.9 x 46.1 x 13.1 mm

SUZUKI

REAR



MATERIAL AVAILABILITY

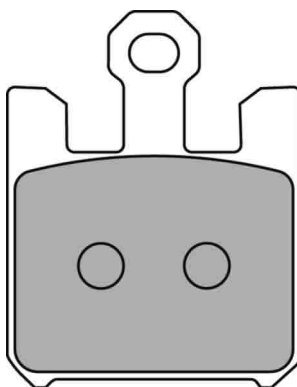
P	PRP	AG	SG	ST	CP1	XRAC
				✓		

FDB2164

39.0 x 49.9 x 7.9 mm

KAWASAKI, SUZUKI
Set of 4 Pads

FRONT



ALSO AVAILABLE

SHAPE	TH. MM	NOTES
FDB2203	9.3	Racing Applications

MATERIAL AVAILABILITY

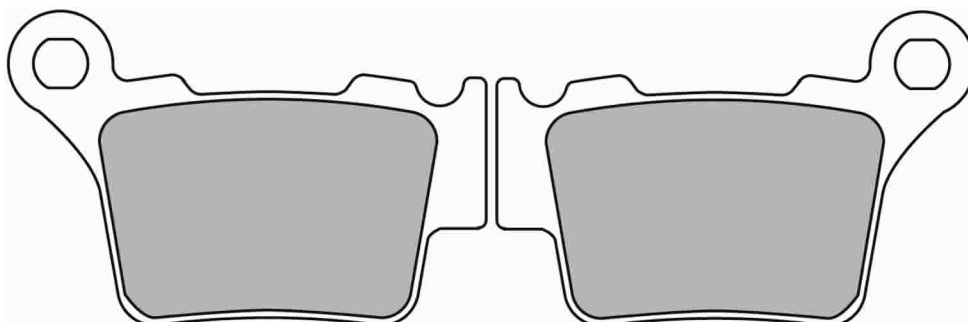
P	PRP	AG	SG	ST	CP1	XRAC
				✓		✓

FDB2165

64.3 x 41.8 x 9.0 mm

BMW, HUSQVARNA, KTM, RIEJU, SHERCO

REAR



MATERIAL AVAILABILITY

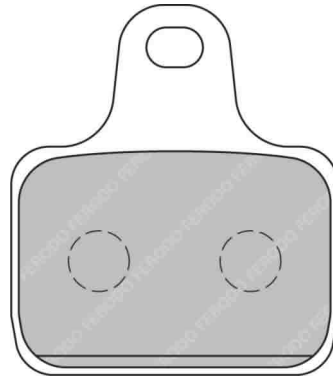
P	PRP	AG	SG	ST	CP1	XRAC
✓			✓			

FDB2166

43.3 x 48.9 x 9.9 mm

MV AGUSTA
Set of 4 Pads

FRONT



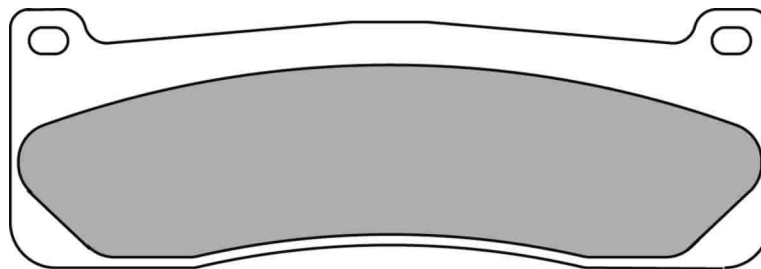
MATERIAL AVAILABILITY						
P	PRP	AG	SG	ST	CP1	XRAC
					✓	✓

FDB2167

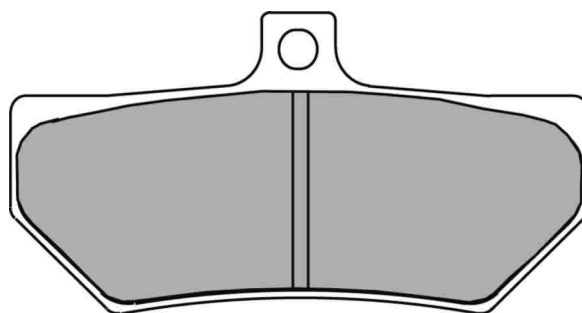
100.7 x 34.3 x 9.0 mm

HONDA

FRONT



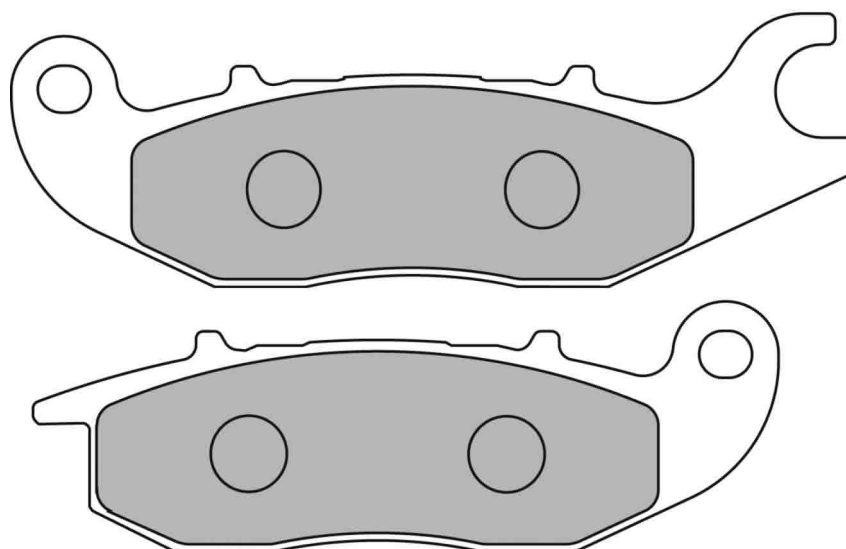
MATERIAL AVAILABILITY						
P	PRP	AG	SG	ST	CP1	XRAC
					✓	✓



MATERIAL AVAILABILITY						
P	PRP	AG	SG	ST	CP1	XRAC
						✓

HERO, HONDA, LIFAN, RIEJU

FRONT / REAR

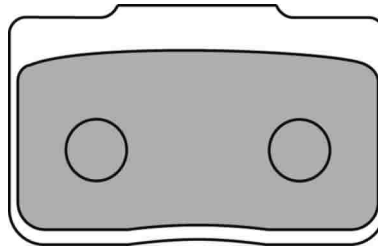


ALSO AVAILABLE		
SHAPE	TH. MM	NOTES
FDB2242		Coupled set

MATERIAL AVAILABILITY						
P	PRP	AG	SG	ST	CP1	XRAC
✓		✓				

FDB2170

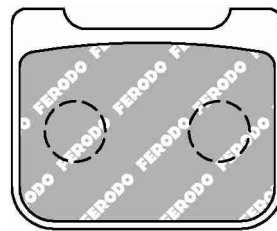
49.8 x 31.8 x 8.1 mm



MATERIAL AVAILABILITY						
P	PRP	AG	SG	ST	CP1	XRAC
✓						

FDB2171

37.8 x 29.2 x 7.7 mm



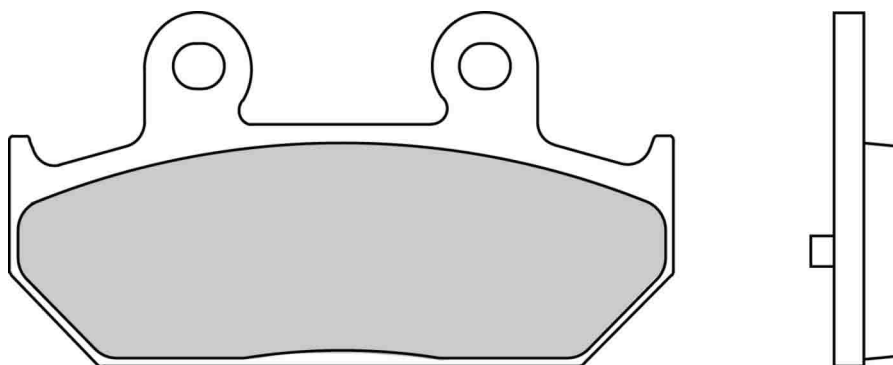
MATERIAL AVAILABILITY						
P	PRP	AG	SG	ST	CP1	XRAC
✓						

FDB2173

88.0 x 46.0 x 8.5 mm

SUZUKI

REAR



ALSO AVAILABLE

SHAPE	TH. MM	NOTES
FDB452	8.5	no pin on the backplate
FDB663	9.8	no pin on the backplate

MATERIAL AVAILABILITY

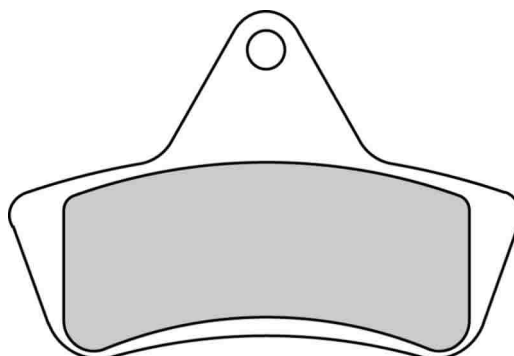
P	PRP	AG	SG	ST	CP1	XRAC
				✓		

FDB2175

67.7 x 45.1 x 7.6 mm

ARCTIC CAT ATV, LAVERDA ATV

FRONT / REAR



MATERIAL AVAILABILITY

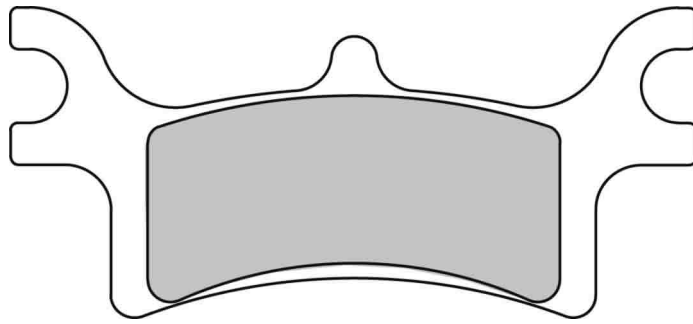
P	PRP	AG	SG	ST	CP1	XRAC
			✓			

FDB2176

91.0 x 41.9 x 8.3 mm

POLARIS ATV

REAR



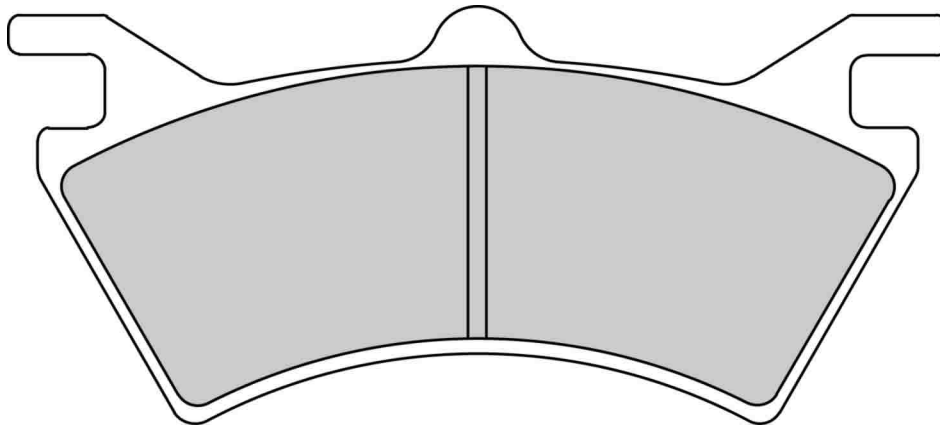
MATERIAL AVAILABILITY						
P	PRP	AG	SG	ST	CP1	XRAC
			✓			

FDB2177

124.4 x 55.5 x 10.0 mm

POLARIS ATV

REAR



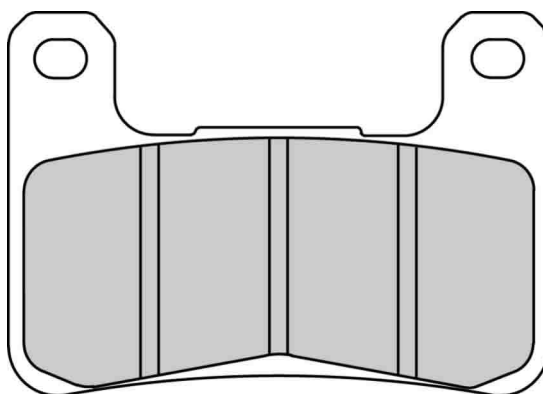
MATERIAL AVAILABILITY						
P	PRP	AG	SG	ST	CP1	XRAC
			✉			

FDB2178

71.7 x 50.3 x 7.8 mm

HYOSUNG, KAWASAKI, SUZUKI

FRONT



ALSO AVAILABLE

SHAPE	TH. MM	NOTES
FDB2204	9.3	Racing Applications

MATERIAL AVAILABILITY

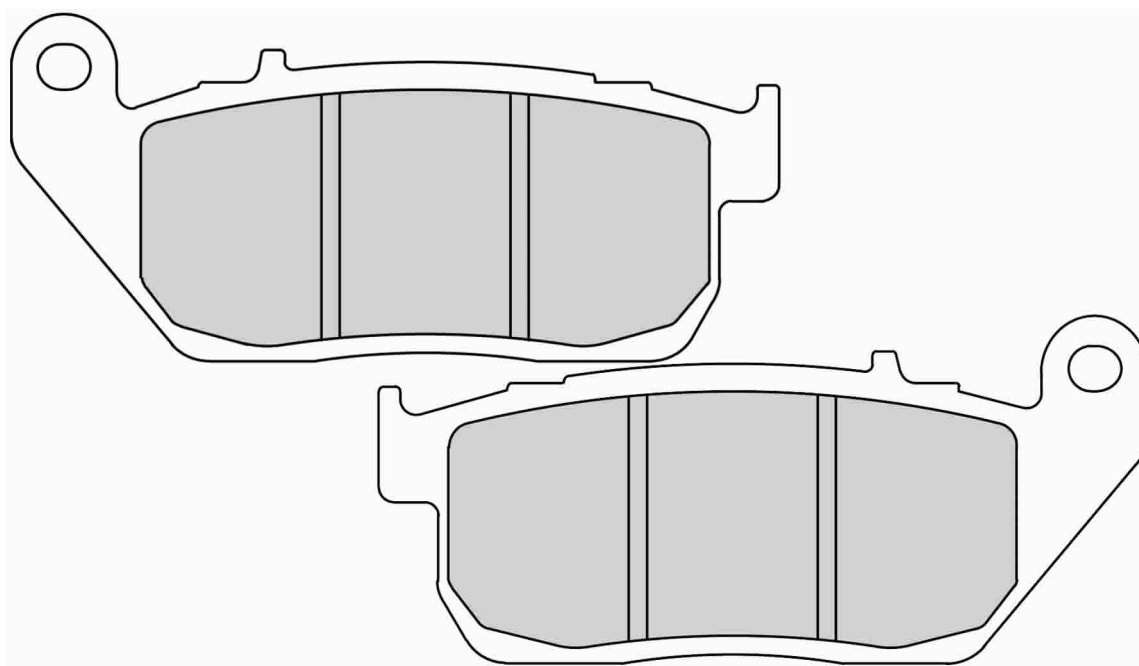
P	PRP	AG	SG	ST	CP1	XRAC
				✓		✓

FDB2179

102.1 x 46.3 x 8.9 mm

HARLEY DAVIDSON

FRONT



MATERIAL AVAILABILITY

P	PRP	AG	SG	ST	CP1	XRAC
✓				✓		

For BUYER'S GUIDE see page 3000

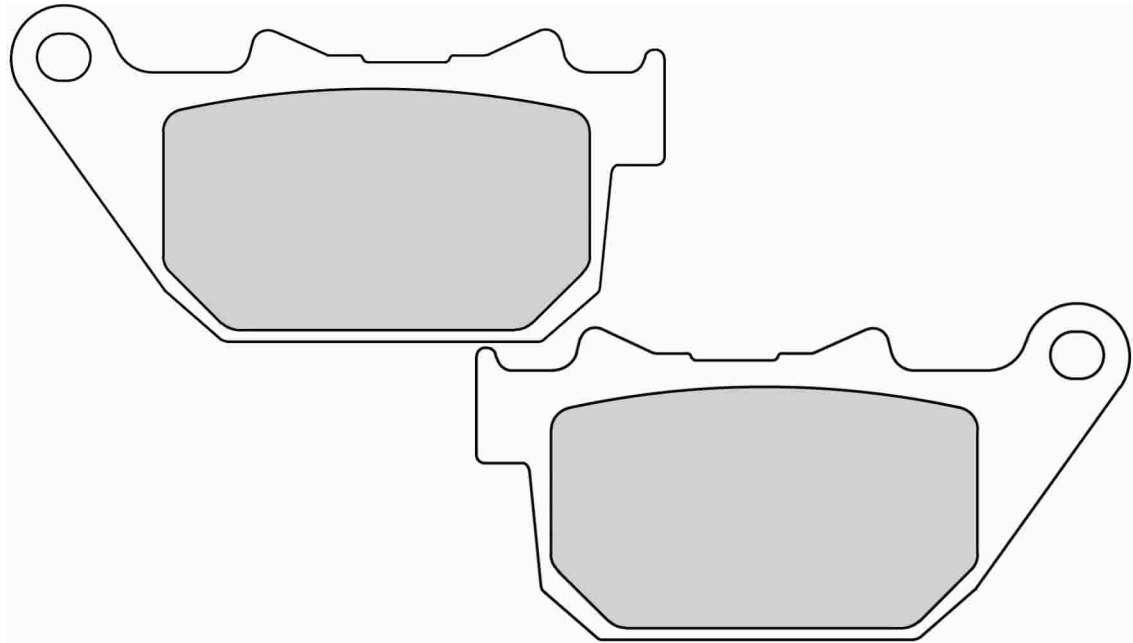
For CROSS REFERENCES see pages 7000 (pads) and 8000 (shoes)

FDB2180

86.3 x 44.9 x 10.0 mm

HARLEY DAVIDSON

REAR



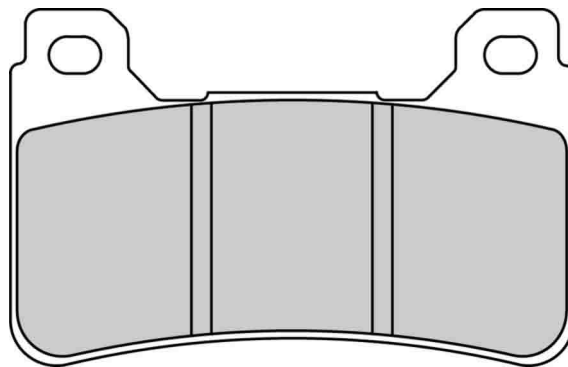
MATERIAL AVAILABILITY						
P	PRP	AG	SG	ST	CP1	XRAC
✓				✓		

FDB2181

74.6 x 47.4 x 8.0 mm

HONDA

FRONT



ALSO AVAILABLE		
SHAPE	TH. MM	NOTES
FDB2205	9.0	Racing Applications

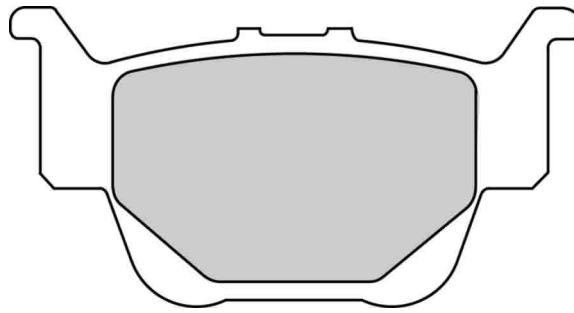
MATERIAL AVAILABILITY						
P	PRP	AG	SG	ST	CP1	XRAC
				✓		✓

FDB2182

75.4 x 39.7 x 9.7 mm

HONDA ATV

REAR



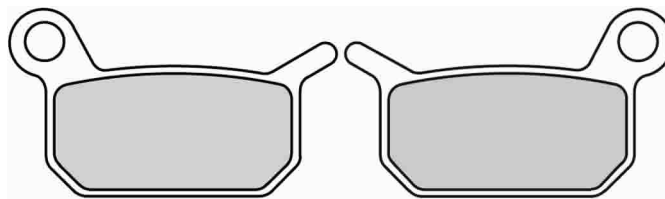
MATERIAL AVAILABILITY						
P	PRP	AG	SG	ST	CP1	XRAC
			✓			

FDB2183

43.6 x 25.3 x 5.0 mm

HUSQVARNA, KTM, LEM

FRONT / REAR



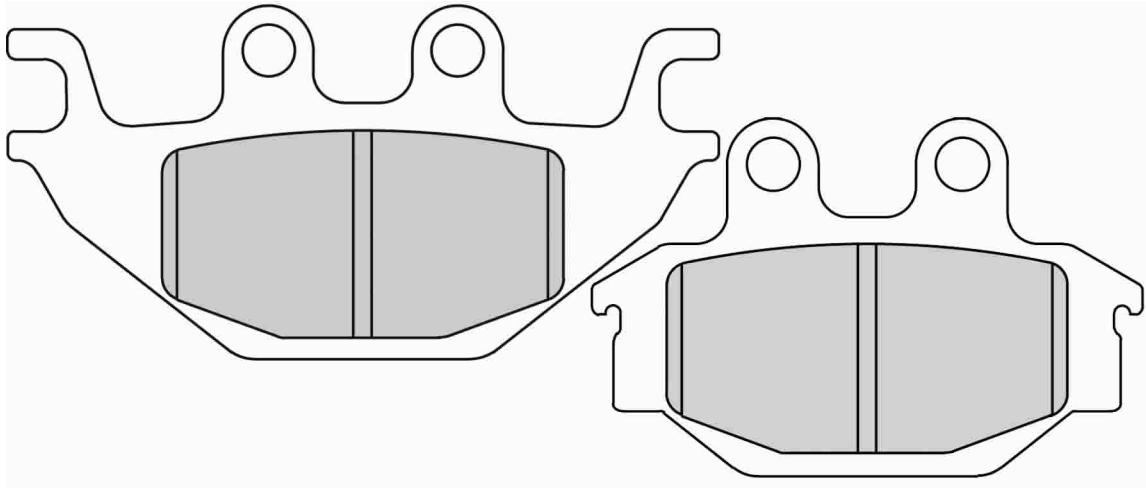
MATERIAL AVAILABILITY						
P	PRP	AG	SG	ST	CP1	XRAC
			✓			

FDB2184

73.3 x 47.3 x 10.9 mm / 94.4 x 47.5 x 8.6 mm

ARCTIC CAT ATV, BOMBARDIER ATV, CAN AM ATV, CPI ATV, KYMCO, KYMCO ATV, PGO ATV, QUADZILLA, SYM, SYM ATV, TGB ATV, YAMAHA

FRONT / REAR



MATERIAL AVAILABILITY

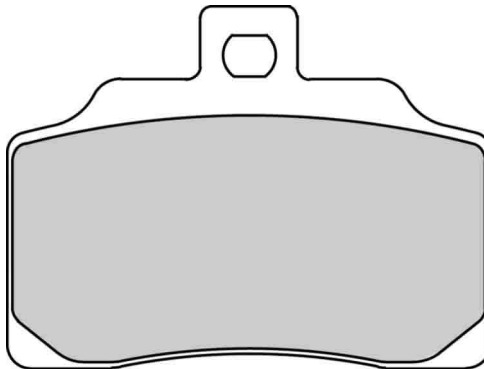
P	PRP	AG	SG	ST	CP1	XRAC
✓			✓			

FDB2185

64.1 x 48.3 x 8.1 mm

BETA

FRONT



MATERIAL AVAILABILITY

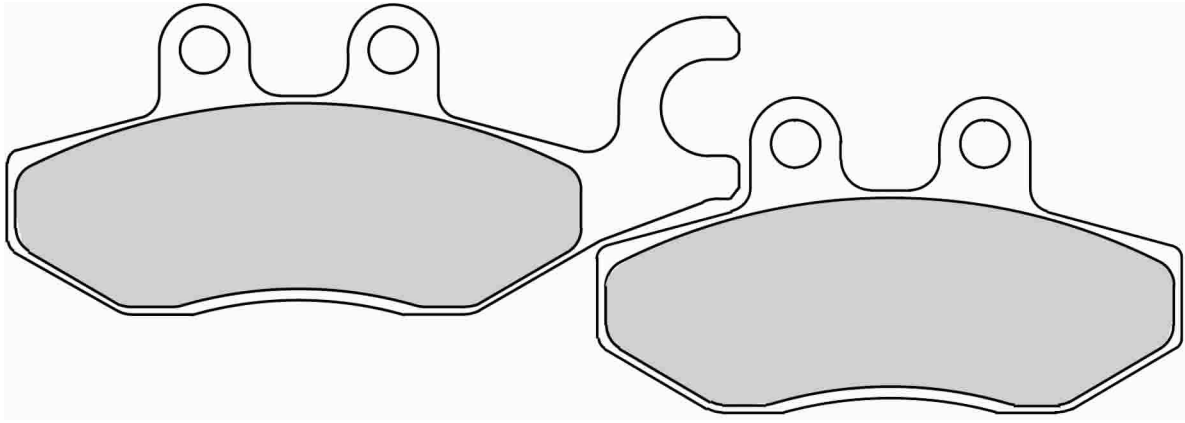
P	PRP	AG	SG	ST	CP1	XRAC
✓						

FDB2186

97.1 x 41.2 x 9.0 mm / 77.2 x 41.2 x 9.0 mm

GILERA, PIAGGIO

FRONT / REAR



ALSO AVAILABLE

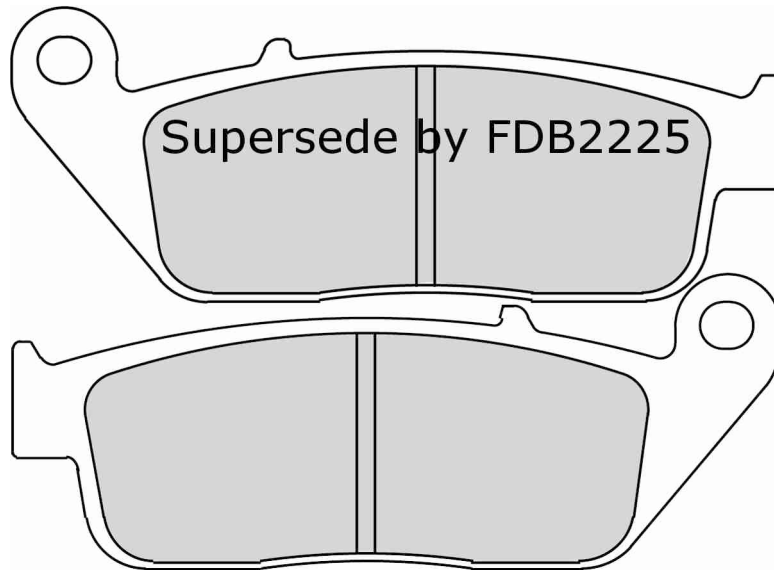
SHAPE	TH. MM	NOTES
FDB2142		Coupled set

MATERIAL AVAILABILITY

P	PRP	AG	SG	ST	CP1	XRAC
		✓				

FDB2187

102.0 x 39.0 x 11.5 mm



MATERIAL AVAILABILITY

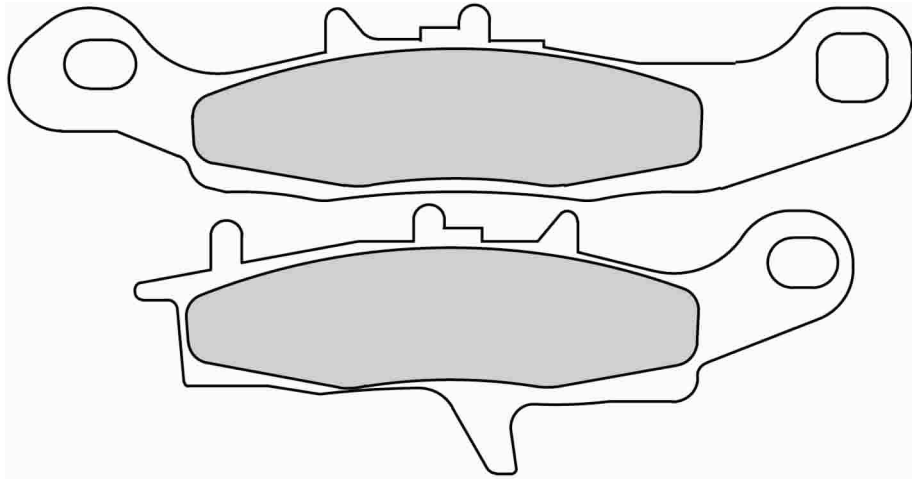
P	PRP	AG	SG	ST	CP1	XRAC

FDB2188

94.5 x 35.8 x 7.3 mm / 119.7 x 26.6 x 6.8 mm

KAWASAKI ATV

FRONT



ALSO AVAILABLE

SHAPE	TH. MM	NOTES
FDB2080		Coupled set

MATERIAL AVAILABILITY

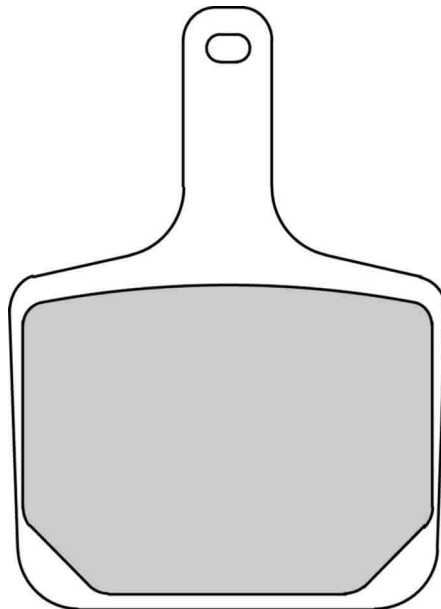
P	PRP	AG	SG	ST	CP1	XRAC
			✓			

FDB2189

57.9 x 78.3 x 11.6 mm

POLARIS SNOWMOBILE

REAR



MATERIAL AVAILABILITY

P	PRP	AG	SG	ST	CP1	XRAC
			✓			

For BUYER'S GUIDE see page 3000

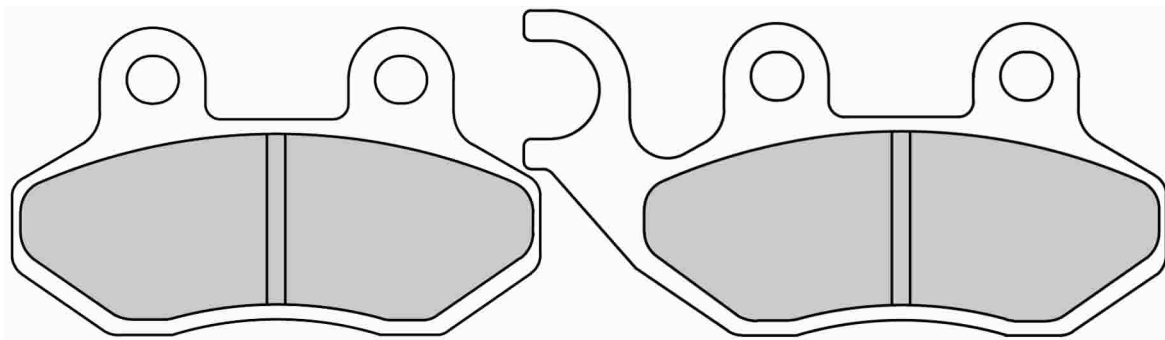
For CROSS REFERENCES see pages 7000 (pads) and 8000 (shoes)

FDB2190

70.2 x 41.5 x 8.2 mm / 85.2 x 43.2 x 8.2 mm

ADIVA, CAGIVA, GARELLI, KSR MOTO BY GENERIC, LAMBRETTA, PEUGEOT, PGO, SYM, TGB

FRONT / REAR



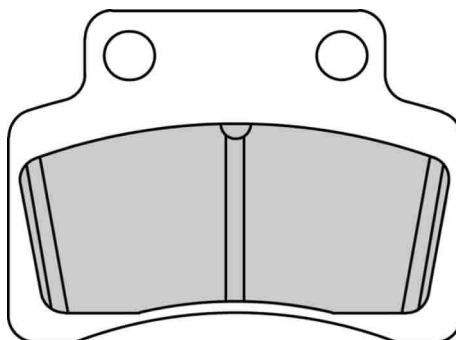
MATERIAL AVAILABILITY						
P	PRP	AG	SG	ST	CP1	XRAC
		✓				

FDB2191

60.2 x 44.1 x 9.1 mm

BENELLI, CPI, KEEWAY, KSR MOTO BY GENERIC, KYMCO, PEUGEOT

FRONT / REAR



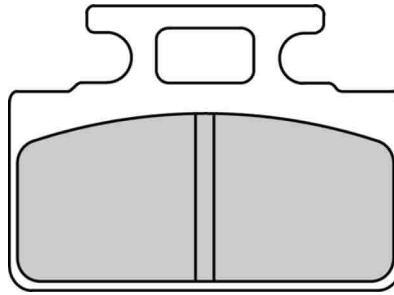
MATERIAL AVAILABILITY						
P	PRP	AG	SG	ST	CP1	XRAC
		✓				

FDB2192

52.0 x 36.8 x 8.2 mm

HONDA, KYMCO, SYM

FRONT / REAR



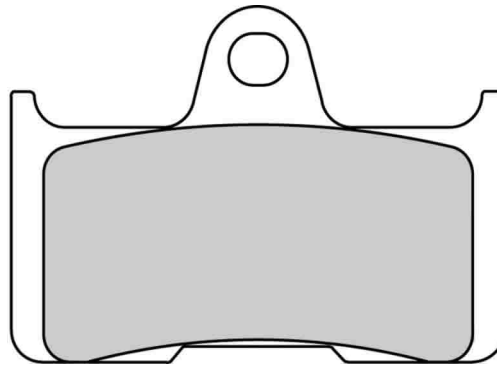
MATERIAL AVAILABILITY						
P	PRP	AG	SG	ST	CP1	XRAC
		✓				

FDB2193

65.8 x 44.7 x 11.4 mm

CFMOTO, QUADZILLA, YAMAHA ATV

REAR



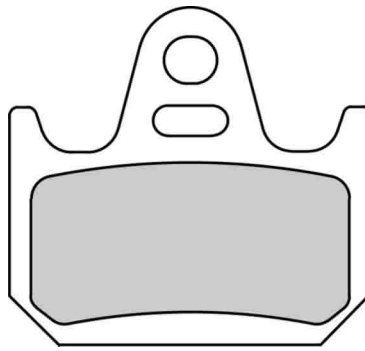
MATERIAL AVAILABILITY						
P	PRP	AG	SG	ST	CP1	XRAC
			✓			

FDB2194

48.1 x 44.6 x 7.1 mm

YAMAHA

REAR



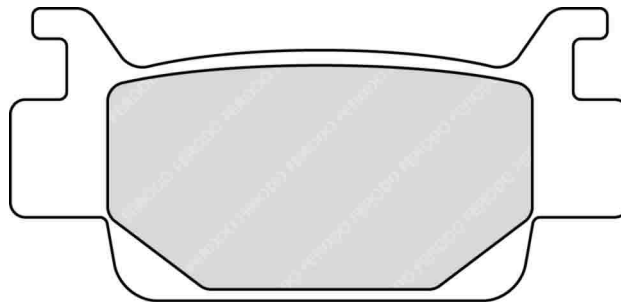
MATERIAL AVAILABILITY						
P	PRP	AG	SG	ST	CP1	XRAC
⚠						

FDB2195

82.0 x 38.7 x 10.2 mm

HONDA ATV

FRONT / REAR



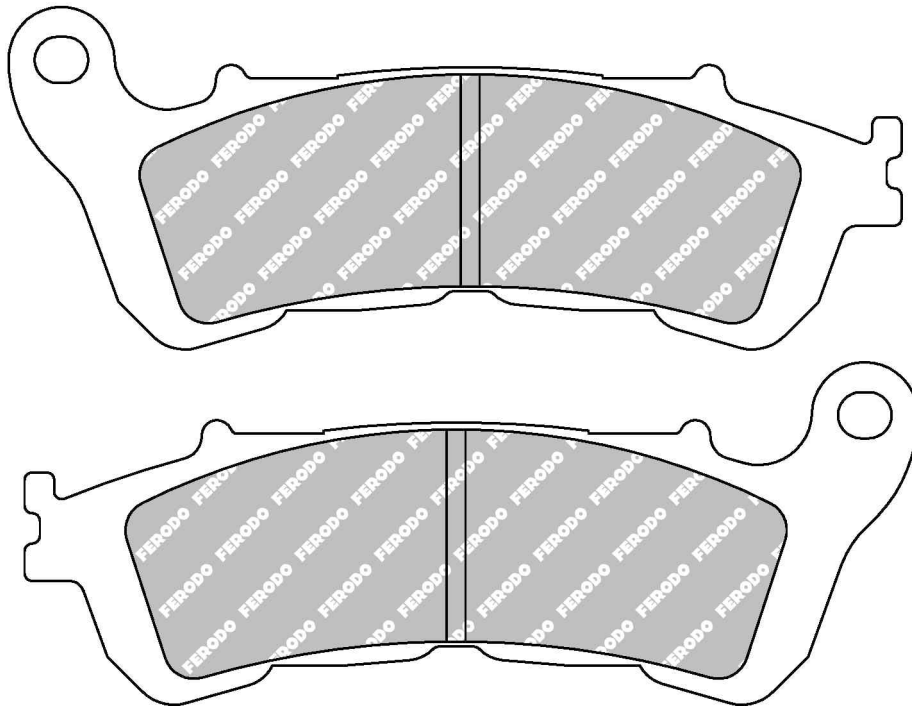
MATERIAL AVAILABILITY						
P	PRP	AG	SG	ST	CP1	XRAC
			✓			

FDB2196

118.1 x 45.4 x 8.4 mm

HARLEY DAVIDSON, HONDA, SUZUKI

FRONT / REAR



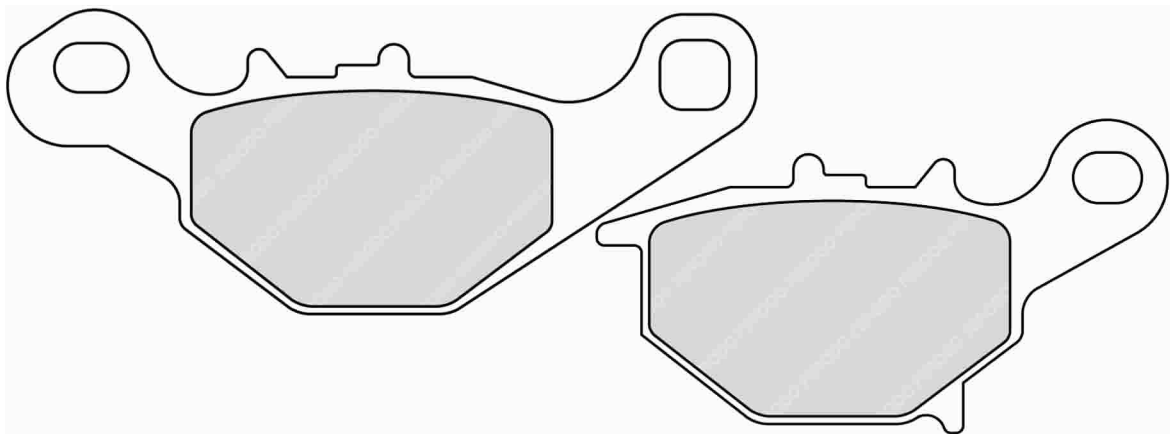
MATERIAL AVAILABILITY						
P	PRP	AG	SG	ST	CP1	XRAC
		✓		✓		

FDB2197

75.7 x 41.5 x 8.2 mm / 99.2 x 40.2 x 7.5 mm

SUZUKI

REAR



ALSO AVAILABLE		
SHAPE	TH. MM	NOTES
FDB2133		Coupled set

MATERIAL AVAILABILITY						
P	PRP	AG	SG	ST	CP1	XRAC
			✓			

For BUYER'S GUIDE see page 3000

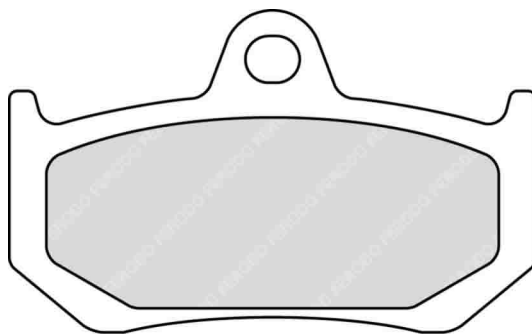
For CROSS REFERENCES see pages 7000 (pads) and 8000 (shoes)

FDB2198

69.9 x 42.9 x 7.4 mm

MV AGUSTA

REAR



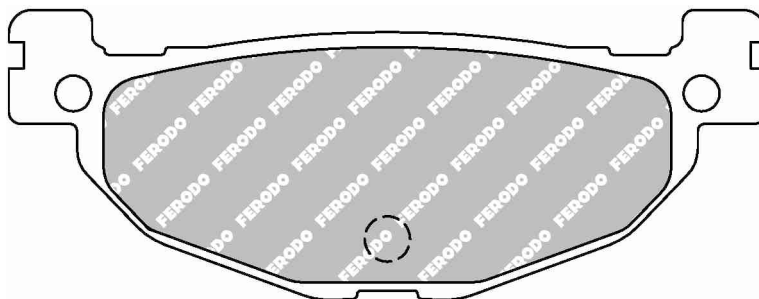
MATERIAL AVAILABILITY						
P	PRP	AG	SG	ST	CP1	XRAC
				✓		

FDB2200

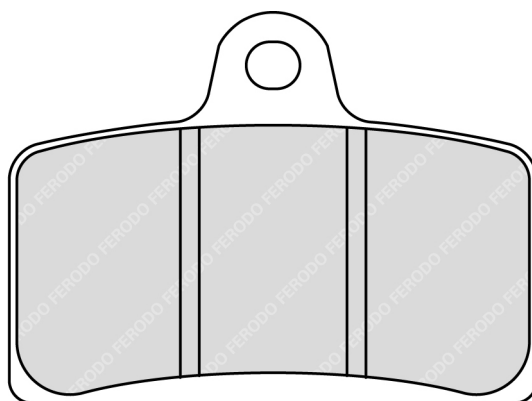
100.1 x 38.3 x 12.0 mm

MBK, YAMAHA

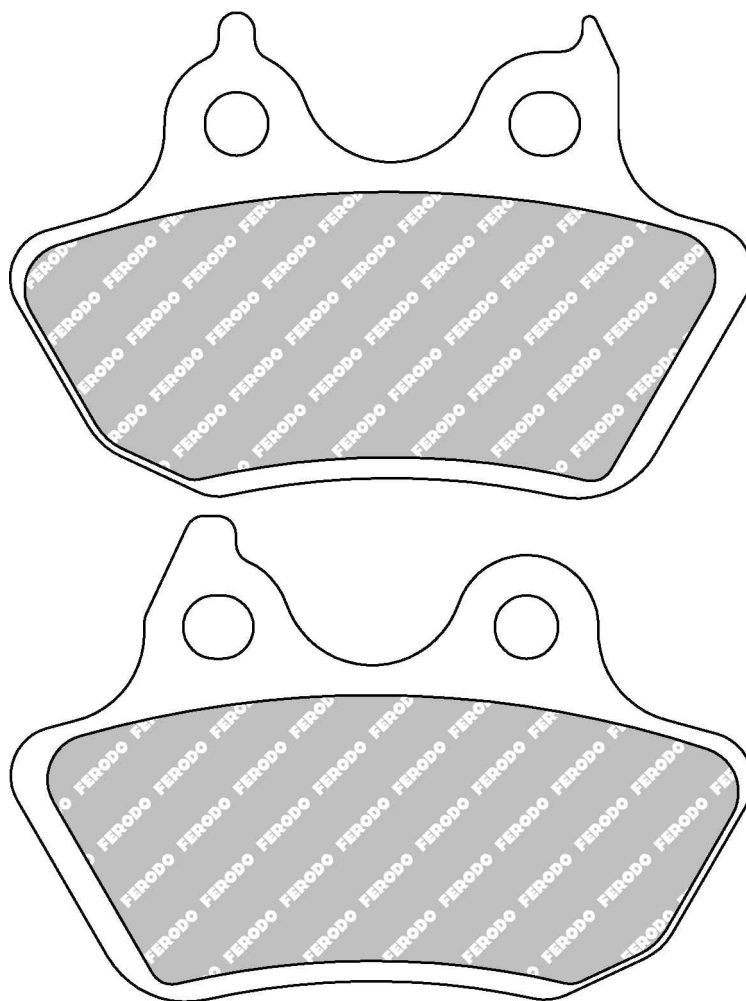
REAR



MATERIAL AVAILABILITY						
P	PRP	AG	SG	ST	CP1	XRAC
✓						



MATERIAL AVAILABILITY						
P	PRP	AG	SG	ST	CP1	XRAC
				✓		



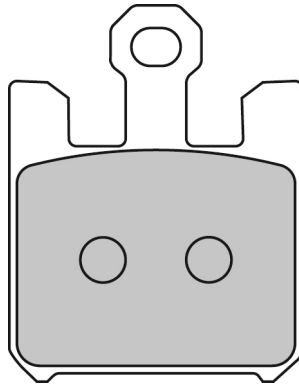
MATERIAL AVAILABILITY						
P	PRP	AG	SG	ST	CP1	XRAC
✓				✓		

FDB2203

39.0 x 49.9 x 9.3 mm

KAWASAKI, SUZUKI
Set of 4 Pads

FRONT



ALSO AVAILABLE

SHAPE	TH. MM	NOTES
FDB2164	7.9	

MATERIAL AVAILABILITY

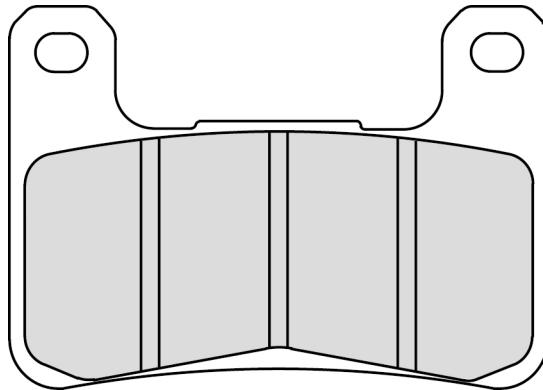
P	PRP	AG	SG	ST	CP1	XRAC
						✓

FDB2204

71.7 x 50.3 x 9.3 mm

SUZUKI

FRONT



ALSO AVAILABLE

SHAPE	TH. MM	NOTES
FDB2178	7.8	

MATERIAL AVAILABILITY

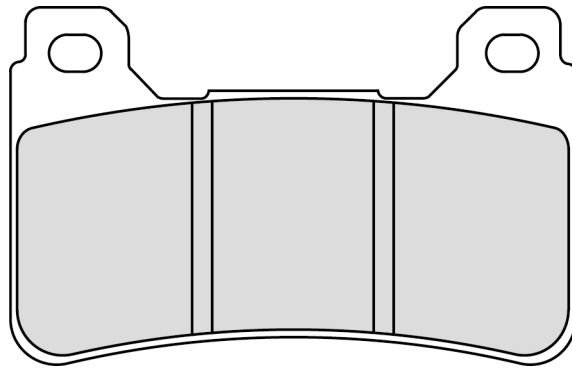
P	PRP	AG	SG	ST	CP1	XRAC
					✓	✓

FDB2205

74.6 x 47.4 x 9.0 mm

HONDA

FRONT



ALSO AVAILABLE

SHAPE	TH. MM	NOTES
FDB2181	8.0	

MATERIAL AVAILABILITY

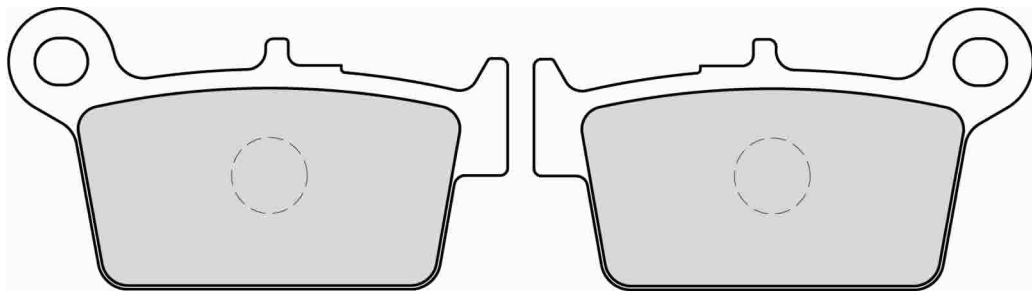
P	PRP	AG	SG	ST	CP1	XRAC
					✓	✓

FDB2206

66.2 x 37.2 x 7.6 mm

BETA

REAR



MATERIAL AVAILABILITY

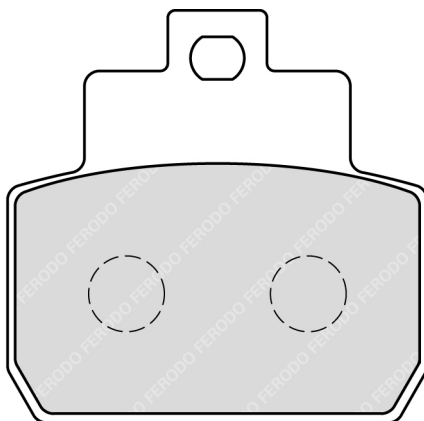
P	PRP	AG	SG	ST	CP1	XRAC
✓						

FDB2207

55.7 x 54.5 x 8.0 mm

PIAGGIO

REAR



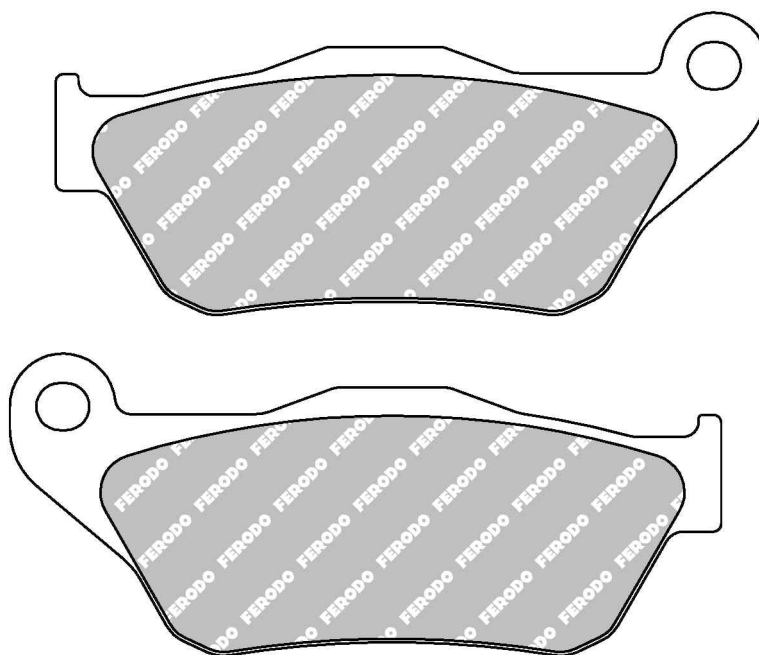
MATERIAL AVAILABILITY						
P	PRP	AG	SG	ST	CP1	XRAC
		✓				

FDB2208

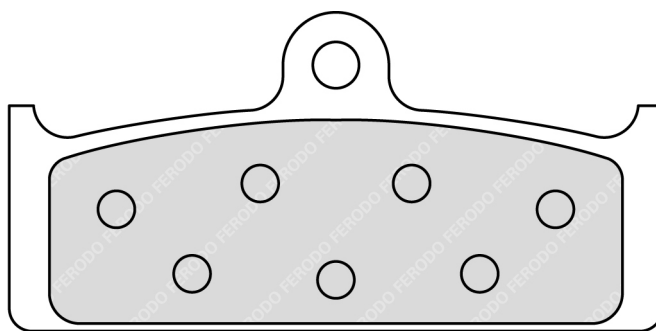
94.0 x 40.0 x 7.6 mm

YAMAHA

FRONT



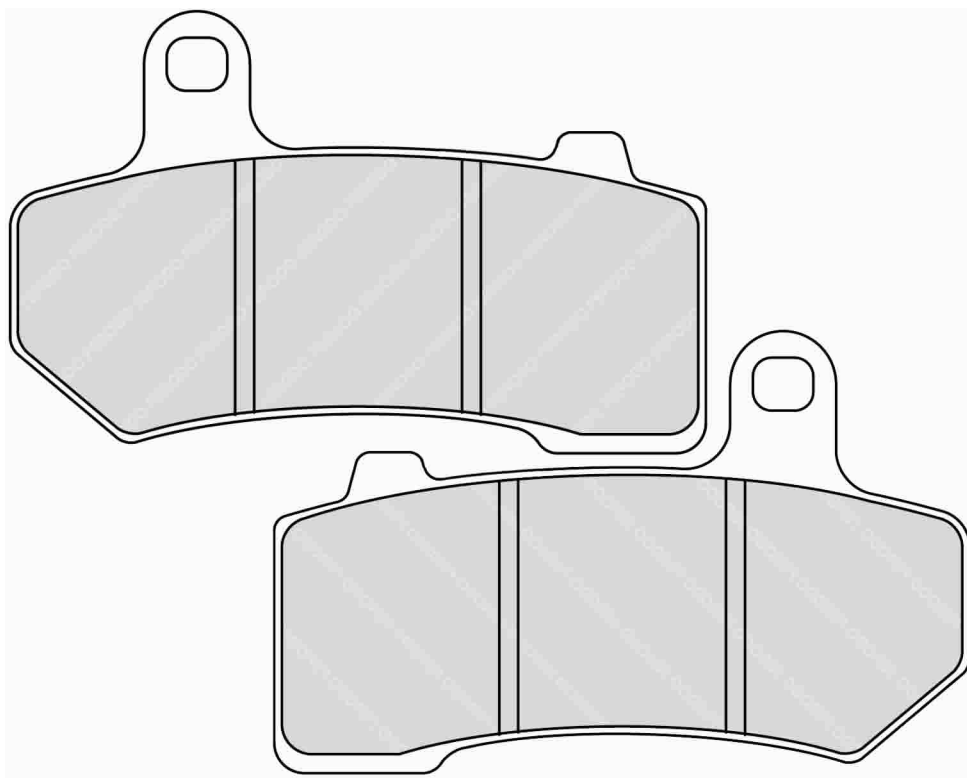
MATERIAL AVAILABILITY						
P	PRP	AG	SG	ST	CP1	XRAC
		✓				



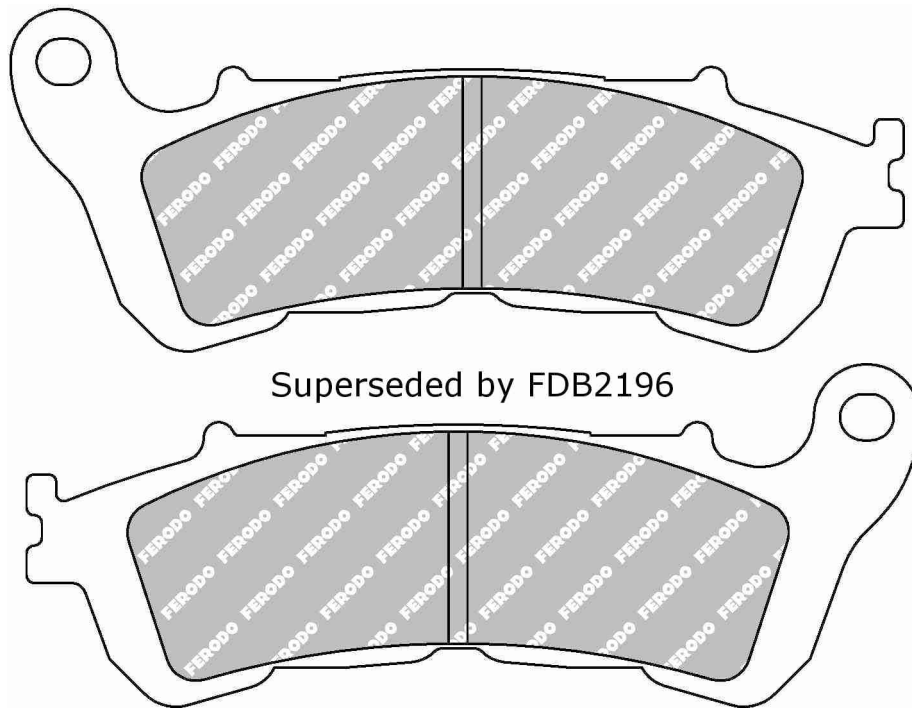
MATERIAL AVAILABILITY						
P	PRP	AG	SG	ST	CP1	XRAC
						✓

HARLEY DAVIDSON

FRONT / REAR



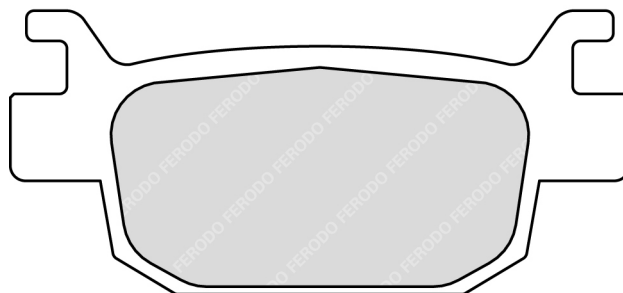
MATERIAL AVAILABILITY						
P	PRP	AG	SG	ST	CP1	XRAC
✓				✓		



MATERIAL AVAILABILITY						
P	PRP	AG	SG	ST	CP1	XRAC

BENELLI, HONDA

REAR



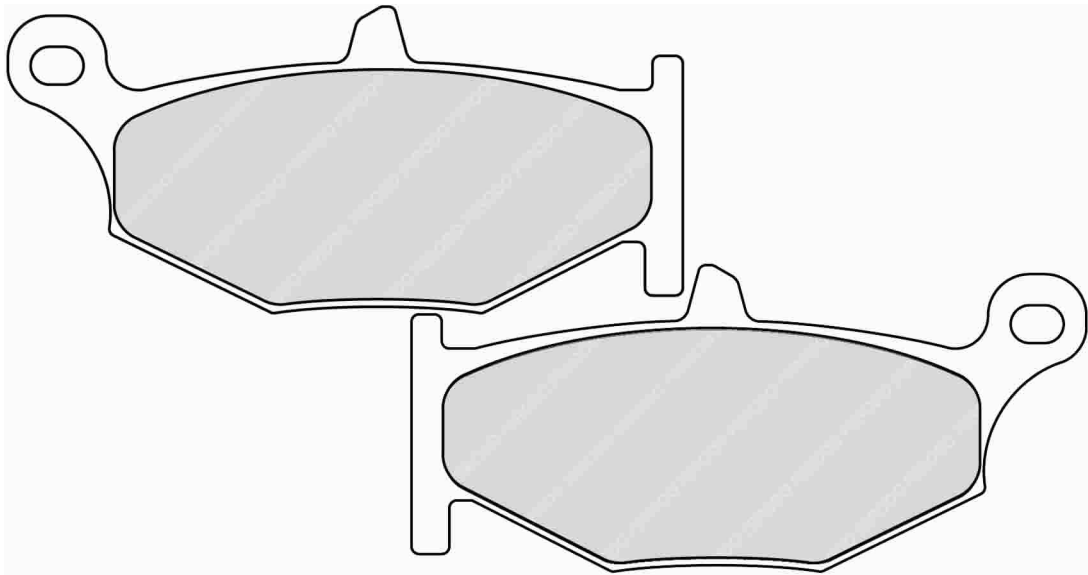
MATERIAL AVAILABILITY						
P	PRP	AG	SG	ST	CP1	XRAC
		✓		✓		

FDB2213

89.4 x 40.7 x 9.8 mm

SUZUKI

REAR



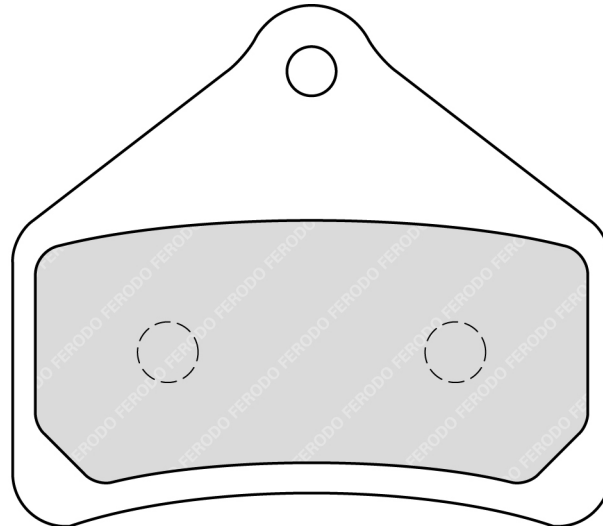
MATERIAL AVAILABILITY						
P	PRP	AG	SG	ST	CP1	XRAC
✓				✓		

FDB2214

79.1 x 69.1 x 10.3 mm

ARCTIC CAT ATV

FRONT



MATERIAL AVAILABILITY						
P	PRP	AG	SG	ST	CP1	XRAC
			⚠			

FDB2215

35.2 x 39.7 x 8.5 mm

Set of 4 Pads



ALSO AVAILABLE

SHAPE	TH. MM	NOTES
FDB2120	7.6	Road Version

MATERIAL AVAILABILITY

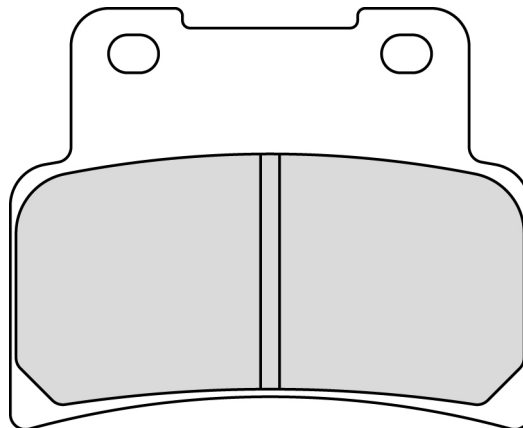
P	PRP	AG	SG	ST	CP1	XRAC
					✓	✓

FDB2216

68.6 x 55.5 x 9.2 mm

APRILIA, KYMCO, YAMAHA

FRONT



MATERIAL AVAILABILITY

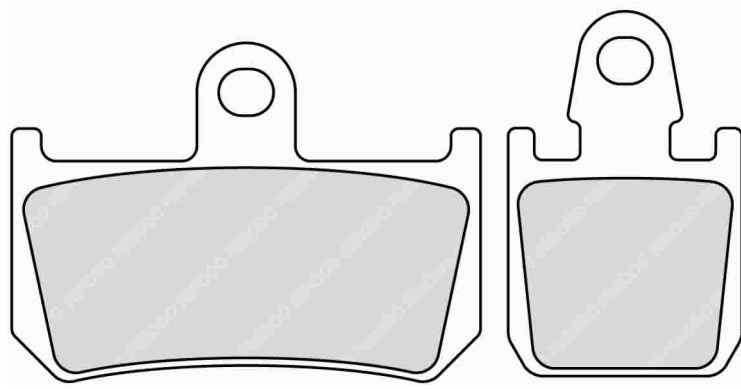
P	PRP	AG	SG	ST	CP1	XRAC
✓				✓	✓	

FDB2217

62.1 x 44.6 x 8.9 mm / 31.0 x 48.1 x 8.9 mm

YAMAHA
Set of 4 Pads

FRONT



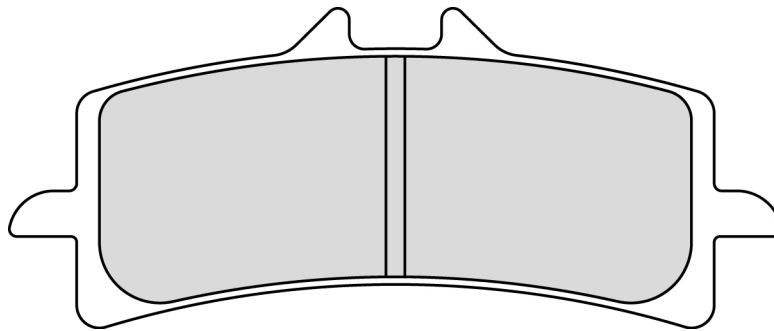
MATERIAL AVAILABILITY						
P	PRP	AG	SG	ST	CP1	XRAC
				✓	✓	✓

FDB2218

102.2 x 42.0 x 8.6 mm

APRILIA, BIMOTA, BMW, DUCATI, HONDA, HUSQVARNA, KAWASAKI, KTM, MOTO GUZZI, MV AGUSTA, SUZUKI, TRIUMPH

FRONT



ALSO AVAILABLE		
SHAPE	TH. MM	NOTES
FDB2260	7.5	Road Version

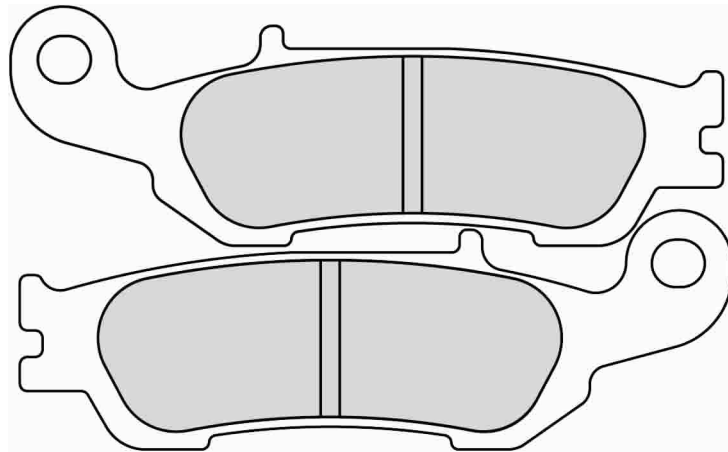
MATERIAL AVAILABILITY						
P	PRP	AG	SG	ST	CP1	XRAC
				✗	✓	✓

FDB2219

94.1 x 31.5 x 7.2 mm

YAMAHA

FRONT



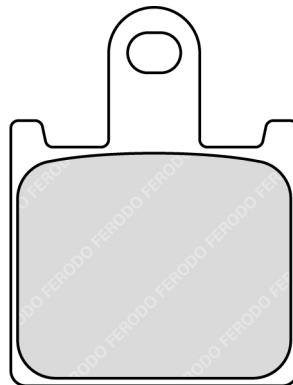
MATERIAL AVAILABILITY						
P	PRP	AG	SG	ST	CP1	XRAC
			✓			

FDB2220

37.9 x 50.0 x 9.5 mm

KAWASAKI
Set of 4 Pads

FRONT



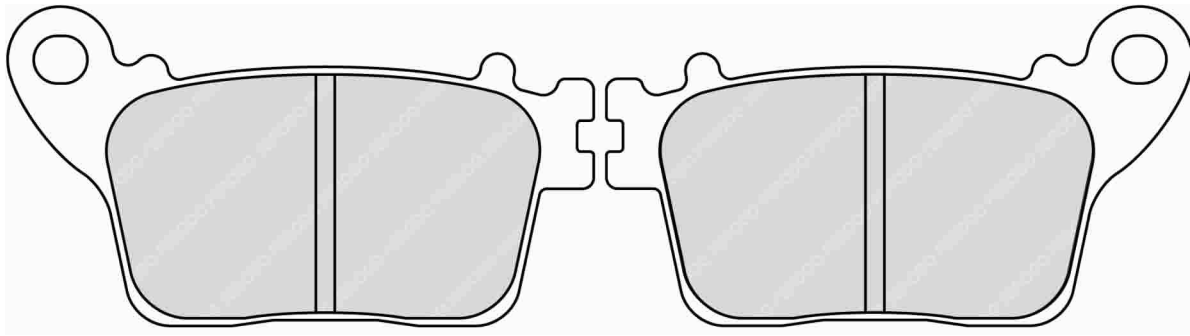
MATERIAL AVAILABILITY						
P	PRP	AG	SG	ST	CP1	XRAC
				✓	✓	✓

FDB2221

76.6 x 42.1 x 8.9 mm

HONDA, KAWASAKI, SUZUKI, YAMAHA

REAR



MATERIAL AVAILABILITY

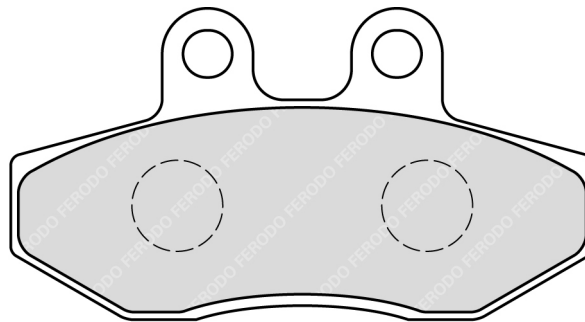
P	PRP	AG	SG	ST	CP1	XRAC
✓				✓		

FDB2224

77.2 x 41.2 x 9.0 mm

YAMAHA

FRONT



MATERIAL AVAILABILITY

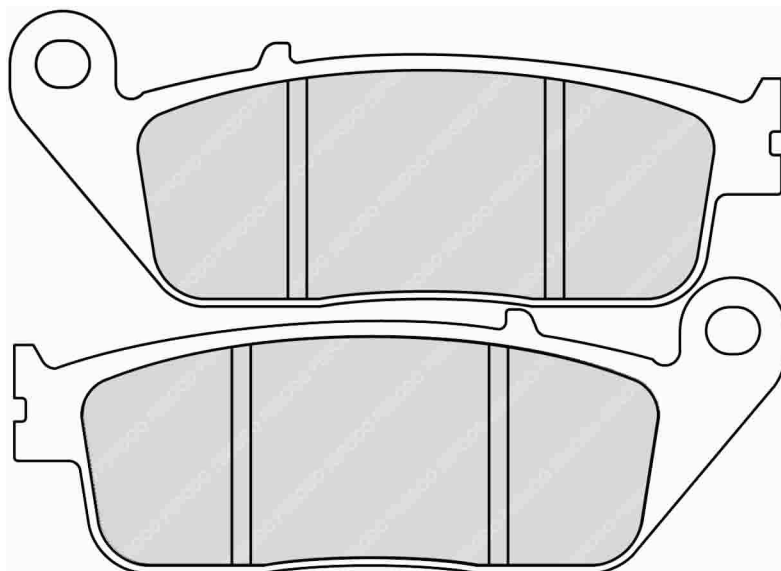
P	PRP	AG	SG	ST	CP1	XRAC
✓						

FDB2225

102.1 x 39.0 x 10.3 mm

HONDA, KYMCO

FRONT / REAR



ALSO AVAILABLE		
SHAPE	TH. MM	NOTES
FDB570	8.3	
FDB664	9.8	

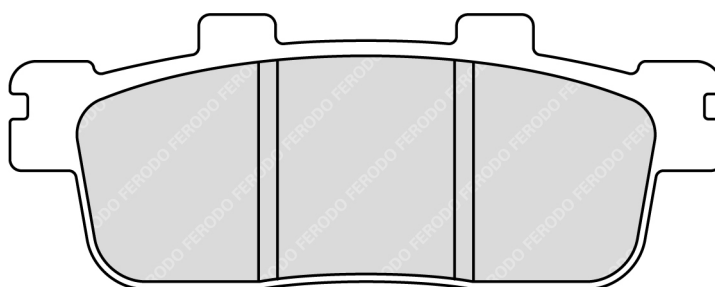
MATERIAL AVAILABILITY						
P	PRP	AG	SG	ST	CP1	XRAC
		✓				

FDB2226

94.1 x 36.2 x 10.2 mm

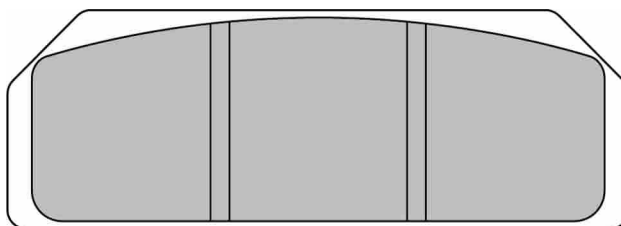
KYMCO, PEUGEOT, SYM, SYM ATV, TGB

FRONT / REAR



ALSO AVAILABLE		
SHAPE	TH. MM	NOTES
FDB2254		higher ears

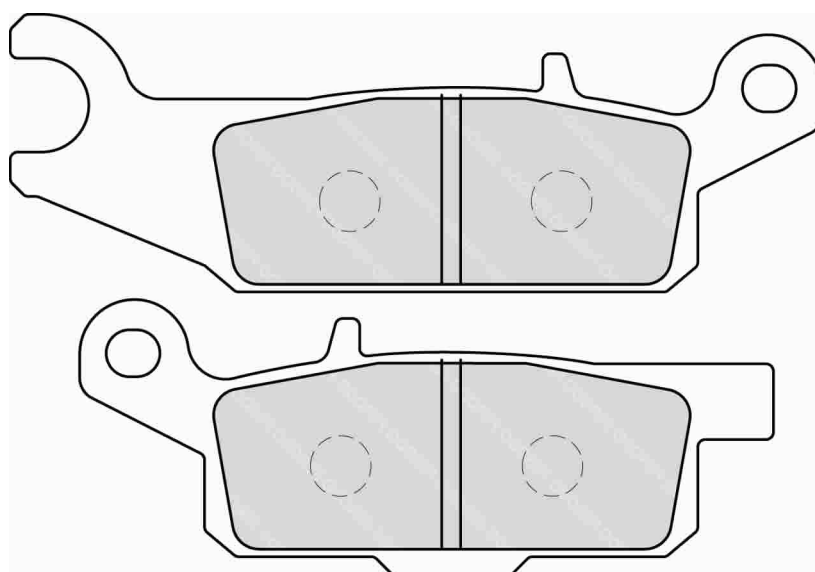
MATERIAL AVAILABILITY						
P	PRP	AG	SG	ST	CP1	XRAC
		✓				



MATERIAL AVAILABILITY						
P	PRP	AG	SG	ST	CP1	XRAC
					✓	

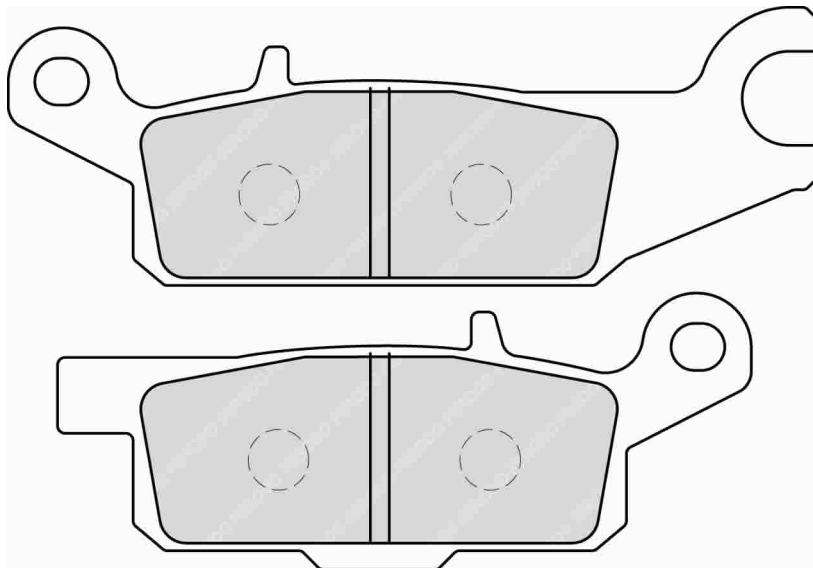
YAMAHA ATV

FRONT



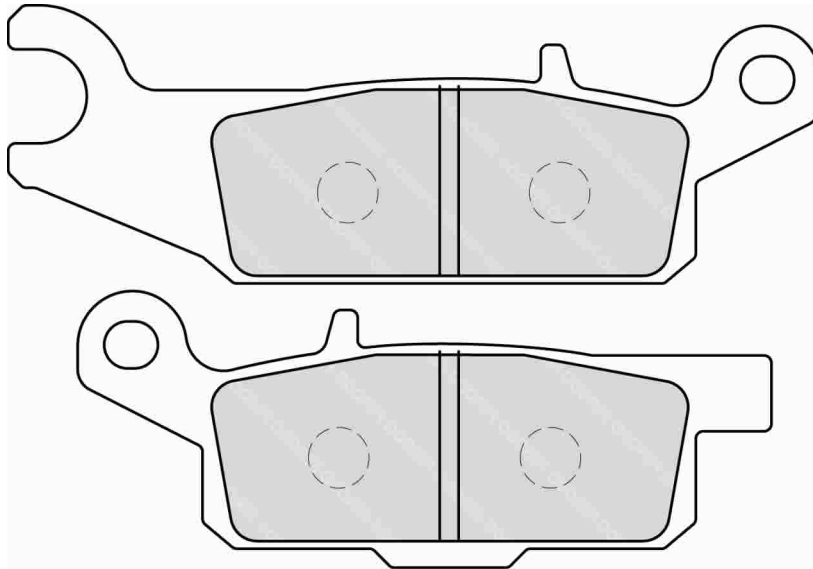
ALSO AVAILABLE		
SHAPE	TH. MM	NOTES
FDB2231		Coupled set

MATERIAL AVAILABILITY						
P	PRP	AG	SG	ST	CP1	XRAC
			✓			



ALSO AVAILABLE		
SHAPE	TH. MM	NOTES
FDB2230		Coupled set

MATERIAL AVAILABILITY						
P	PRP	AG	SG	ST	CP1	XRAC
			✔			



ALSO AVAILABLE		
SHAPE	TH. MM	NOTES
FDB2233		Coupled set

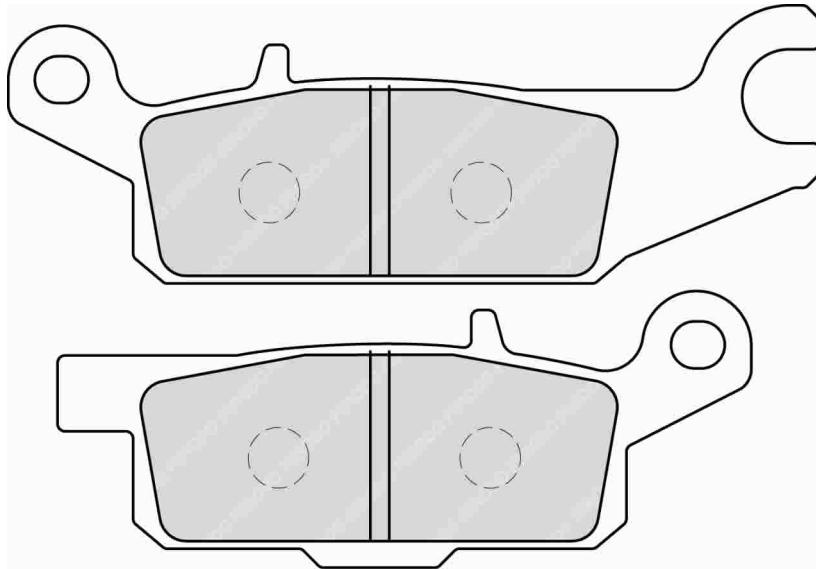
MATERIAL AVAILABILITY						
P	PRP	AG	SG	ST	CP1	XRAC
			✔			

FDB2233

107.4 x 36.7 x 9.0 mm / 91.7 x 36.5 x 9.0 mm

YAMAHA ATV

REAR



ALSO AVAILABLE

SHAPE	TH. MM	NOTES
FDB2232		Coupled set

MATERIAL AVAILABILITY

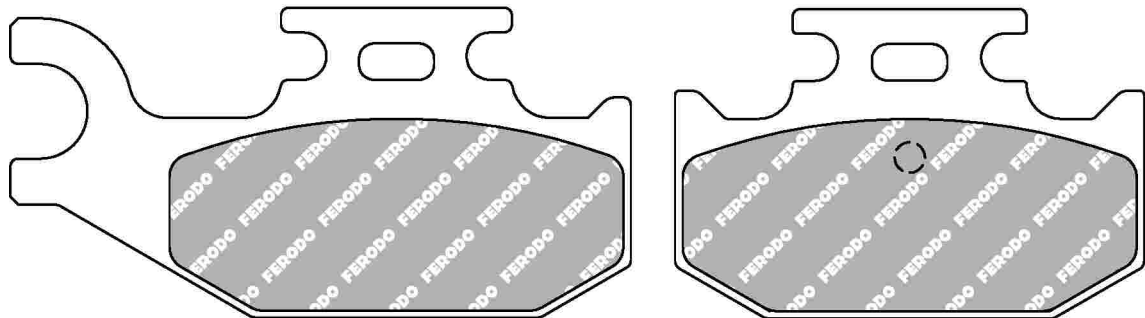
P	PRP	AG	SG	ST	CP1	XRAC
			✓			

FDB2235

82.2 x 40.9 x 9.4 mm / 62.1 x 40.9 x 9.4 mm

YAMAHA ATV

REAR



MATERIAL AVAILABILITY

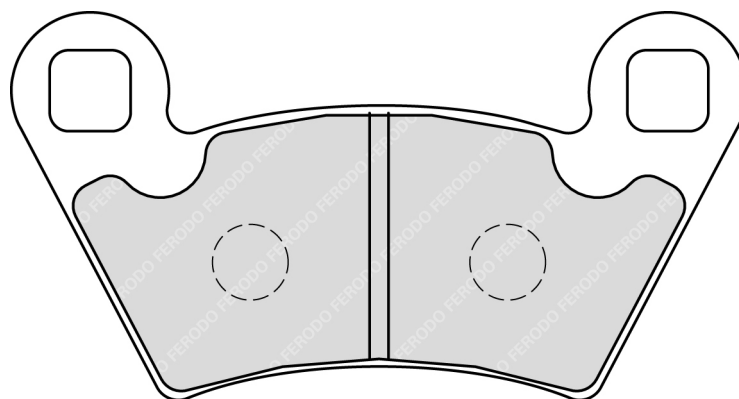
P	PRP	AG	SG	ST	CP1	XRAC
			✓			

FDB2236

97.1 x 51.2 x 7.7 mm

POLARIS ATV

FRONT / REAR



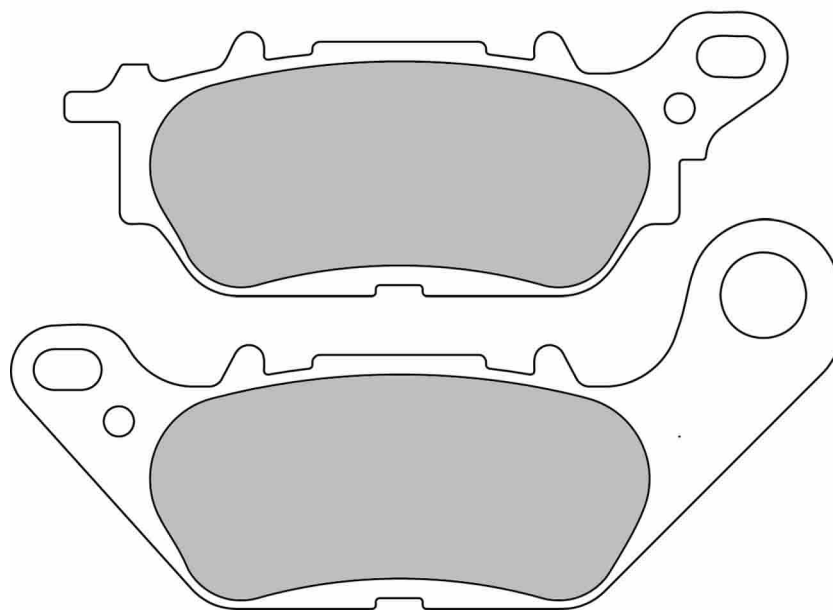
MATERIAL AVAILABILITY						
P	PRP	AG	SG	ST	CP1	XRAC
			✓			

FDB2238

95.8 x 37.6 x 8.3 mm / 109.8 x 51.5 x 8.3 mm

YAMAHA

FRONT



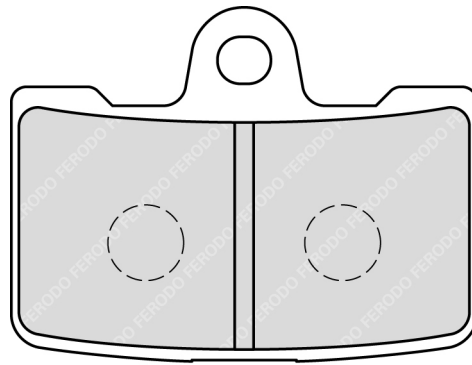
MATERIAL AVAILABILITY						
P	PRP	AG	SG	ST	CP1	XRAC
✓		✓				

FDB2240

61.6 x 46.6 x 7.4 mm

BUELL, EBR
Set of 4 Pads

FRONT



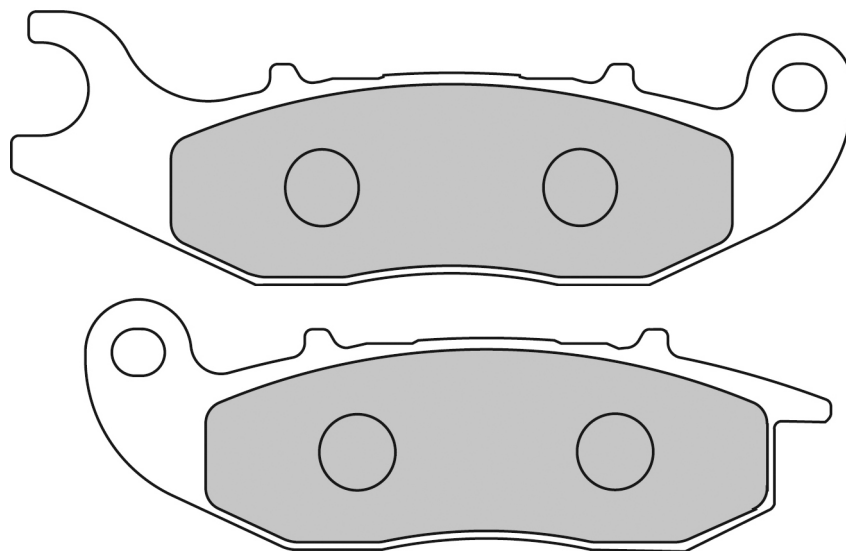
MATERIAL AVAILABILITY						
P	PRP	AG	SG	ST	CP1	XRAC
				✓		

FDB2242

111.4 x 36.3 x 7.6 mm / 98.8 x 33.3 x 7.6 mm

AJP, DERBI, FANTIC, HONDA, HONDA-HM ITALIA, RIEJU, SCORPA

FRONT



ALSO AVAILABLE		
SHAPE	TH. MM	NOTES
FDB2169		Coupled set

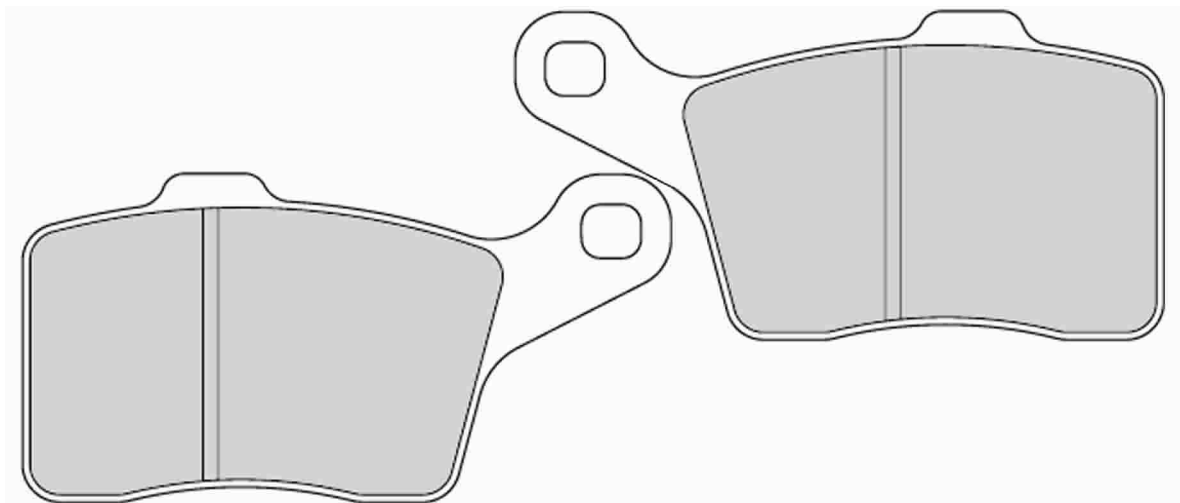
MATERIAL AVAILABILITY						
P	PRP	AG	SG	ST	CP1	XRAC
✓		✓				

FDB2243

86.2 x 43.5 x 10.0 mm

SKI DOO SNOWMOBILE

FRONT



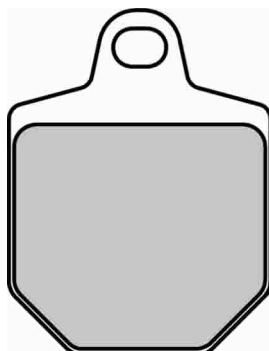
MATERIAL AVAILABILITY						
P	PRP	AG	SG	ST	CP1	XRAC

FDB2244

34.9 x 45.9 x 7.7 mm

HONDA, KTM
Set of 4 Pads

FRONT



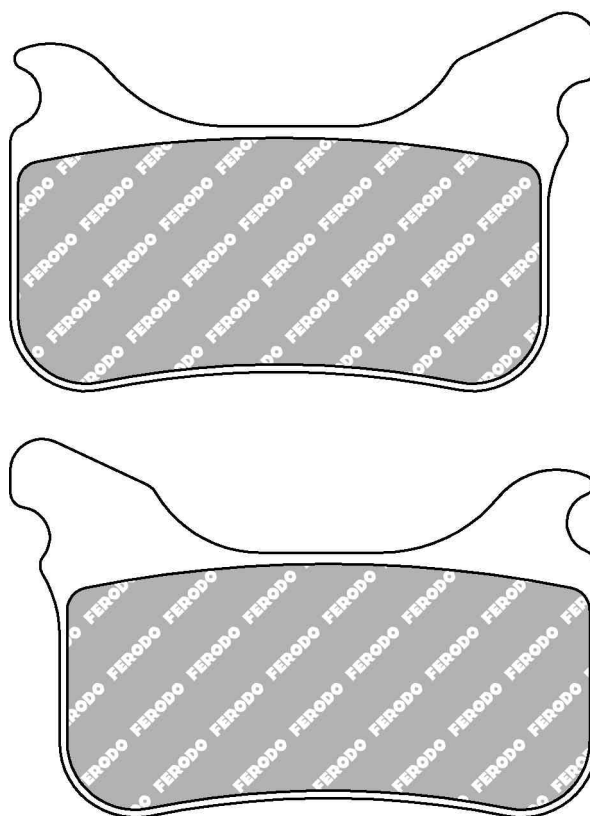
MATERIAL AVAILABILITY						
P	PRP	AG	SG	ST	CP1	XRAC

FDB2245

76.7 x 49.7 x 8.3 mm

APRILIA, HUSABERG, KTM

FRONT



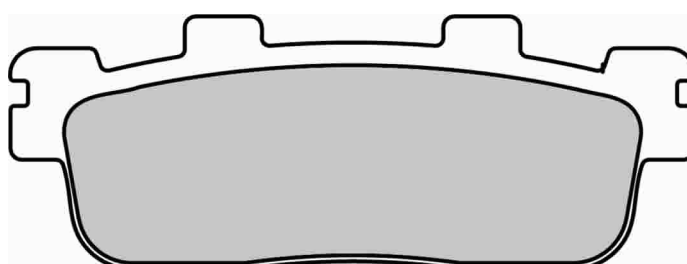
MATERIAL AVAILABILITY						
P	PRP	AG	SG	ST	CP1	XRAC
				✓		

FDB2248

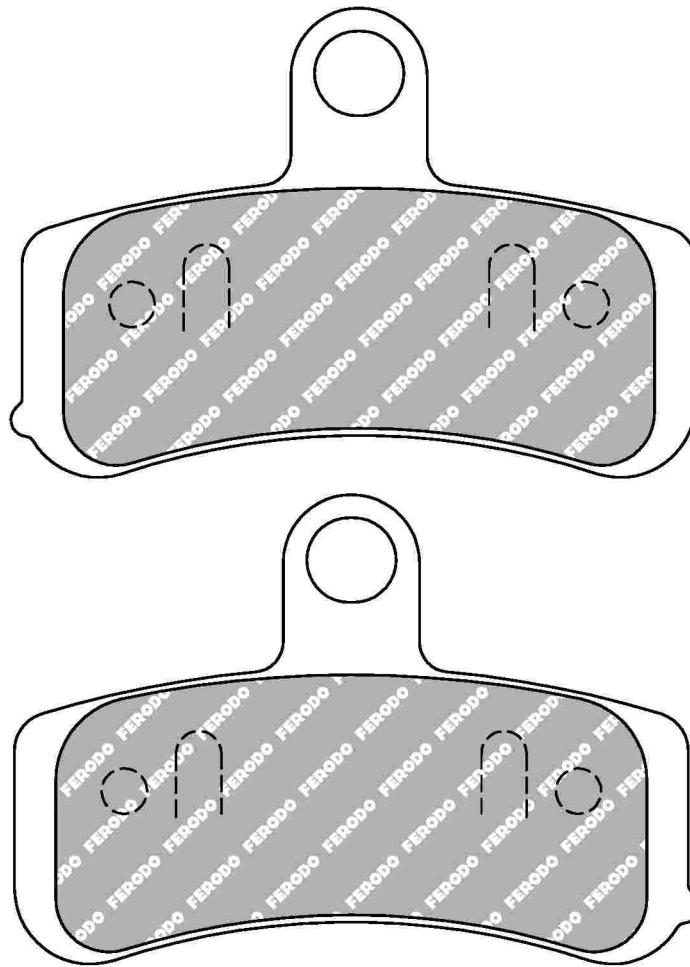
90.1 x 33.3 x 9.8 mm

KAWASAKI, KYMCO

REAR



MATERIAL AVAILABILITY						
P	PRP	AG	SG	ST	CP1	XRAC
		✓				



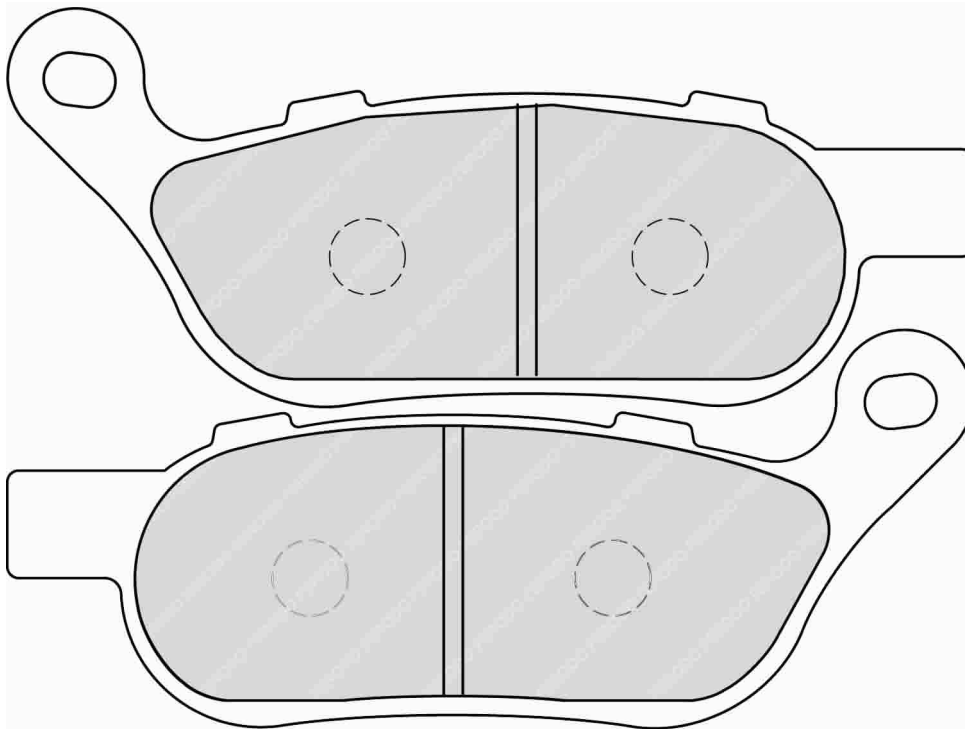
MATERIAL AVAILABILITY						
P	PRP	AG	SG	ST	CP1	XRAC
				✓		

FDB2251

127.6 x 52.6 x 7.4 mm

HARLEY DAVIDSON

REAR



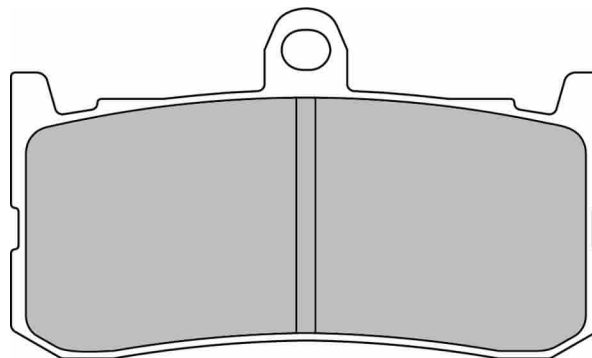
MATERIAL AVAILABILITY						
P	PRP	AG	SG	ST	CP1	XRAC
				✓		

FDB2252

78.5 x 46.5 x 7.5 mm

TRIUMPH

FRONT



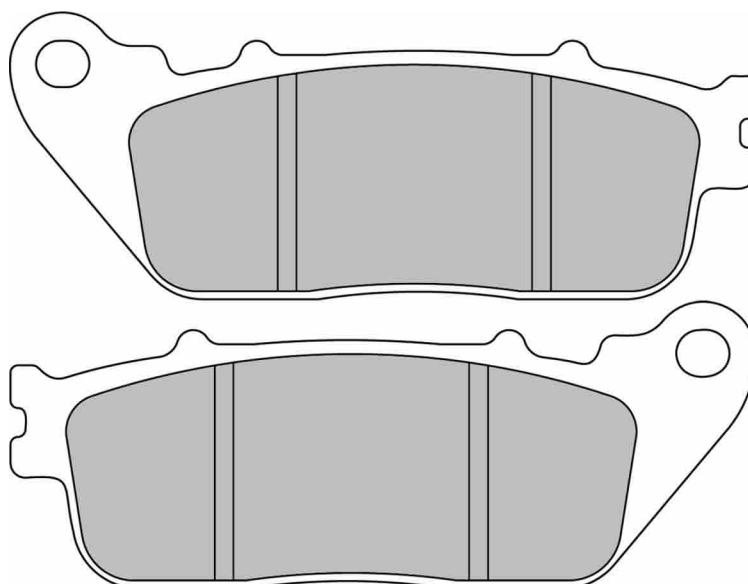
MATERIAL AVAILABILITY						
P	PRP	AG	SG	ST	CP1	XRAC
				✓		

FDB2253

99.6 x 38.4 x 8.9 mm

HONDA

REAR



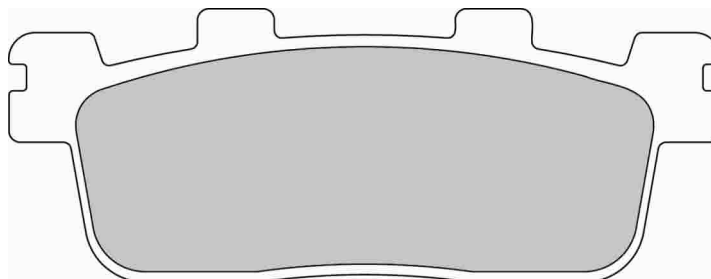
MATERIAL AVAILABILITY						
P	PRP	AG	SG	ST	CP1	XRAC
				✓		

FDB2254

94.1 x 36.2 x 10.0 mm

KYMCO

REAR



ALSO AVAILABLE		
SHAPE	TH. MM	NOTES
FDB2226		lower ears

MATERIAL AVAILABILITY						
P	PRP	AG	SG	ST	CP1	XRAC
		✓				

FDB2255

35.2 x 39.7 x 9.0 mm

BMW
Set of 4 Pads

FRONT



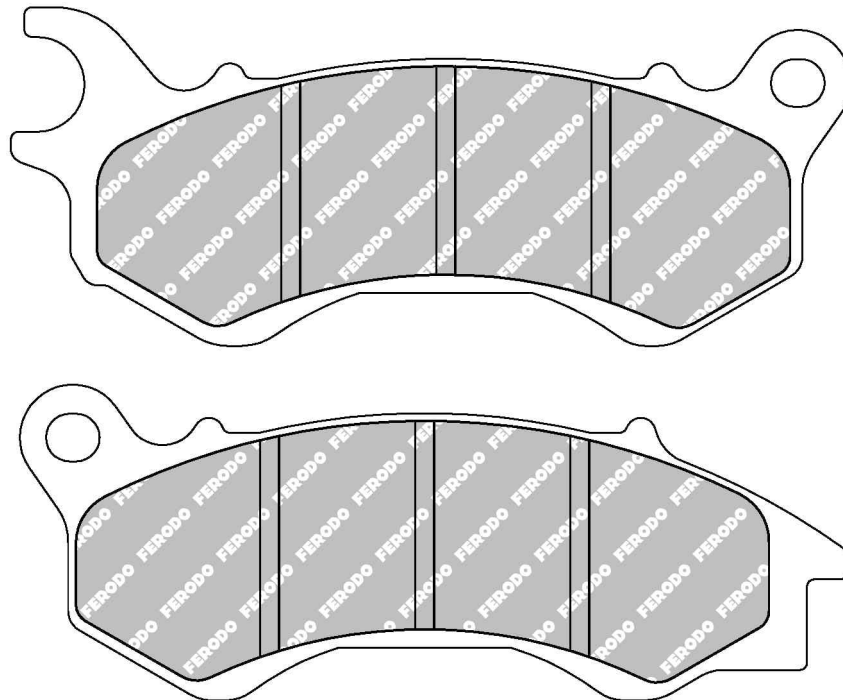
MATERIAL AVAILABILITY						
P	PRP	AG	SG	ST	CP1	XRAC
				✓		✓

FDB2256

111.0 x 44.7 x 8.0 mm / 109.5 x 41.7 x 8.0 mm

HONDA, PEUGEOT

FRONT



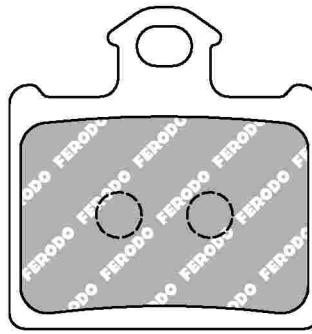
MATERIAL AVAILABILITY						
P	PRP	AG	SG	ST	CP1	XRAC
		✓				

FDB2257

41.0 x 42.4 x 7.3 mm

HUSQVARNA, KTM

REAR



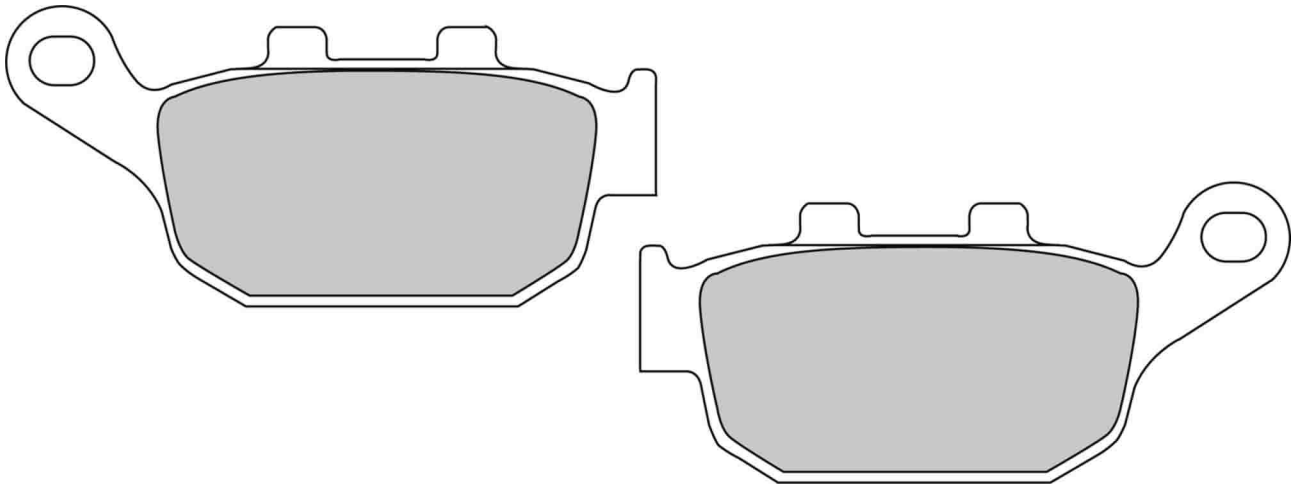
MATERIAL AVAILABILITY						
P	PRP	AG	SG	ST	CP1	XRAC
			✓			

FDB2258

86.0 x 40.0 x 8.9 mm

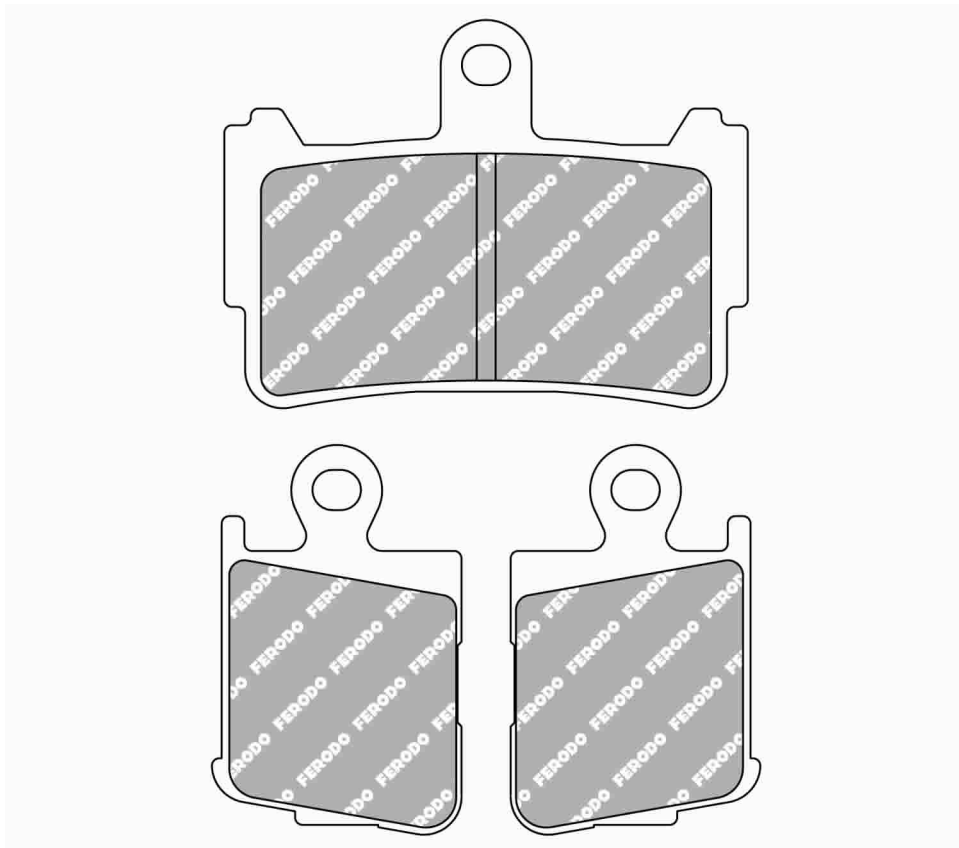
HONDA, KAWASAKI, SUZUKI

REAR



ALSO AVAILABLE		
SHAPE	TH. MM	NOTES
FDB531	10.6	

MATERIAL AVAILABILITY						
P	PRP	AG	SG	ST	CP1	XRAC
				✓		



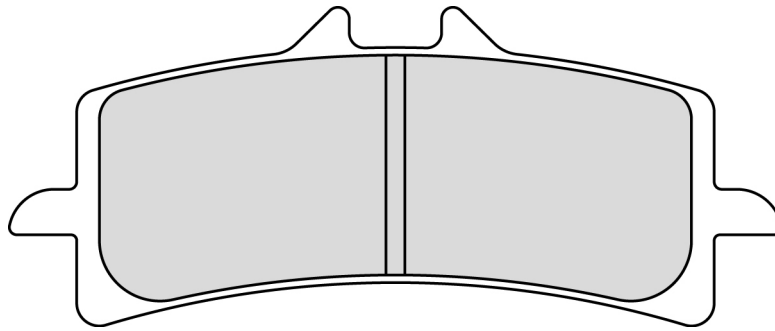
MATERIAL AVAILABILITY						
P	PRP	AG	SG	ST	CP1	XRAC
				✓		

FDB2260

102.2 x 42.0 x 7.5 mm

APRILIA, BIMOTA, BMW, DUCATI, HONDA, HUSQVARNA, KAWASAKI, KTM, MOTO GUZZI, MV AGUSTA, SUZUKI, TRIUMPH

FRONT



ALSO AVAILABLE

SHAPE	TH. MM	NOTES
FDB2218	8.6	Racing version

MATERIAL AVAILABILITY

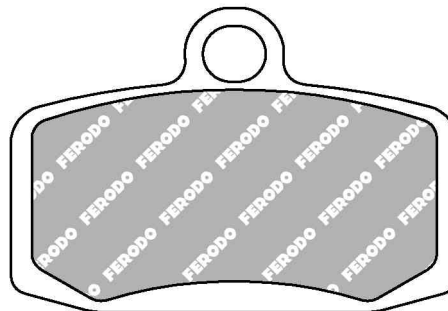
P	PRP	AG	SG	ST	CP1	XRAC
				✓		

FDB2262

59.0 x 40.2 x 7.7 mm

HUSQVARNA, KTM, SHERCO

FRONT



MATERIAL AVAILABILITY

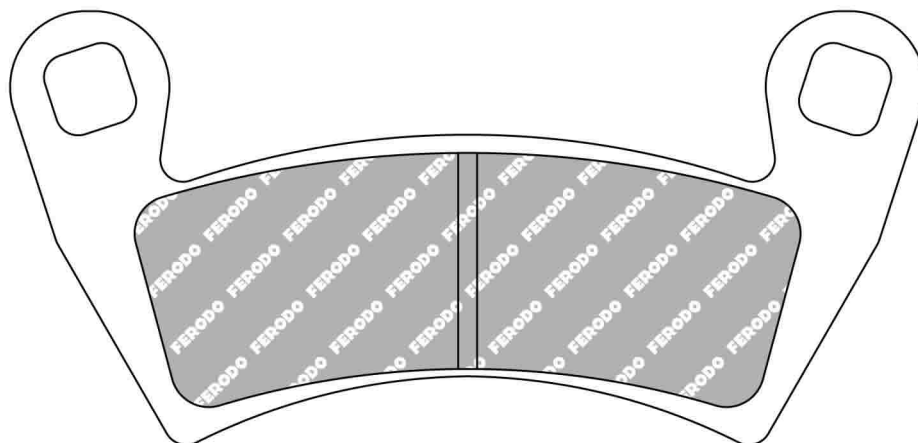
P	PRP	AG	SG	ST	CP1	XRAC
			✓			

FDB2263

121.0 x 57.3 x 6.9 mm

POLARIS ATV

FRONT / REAR



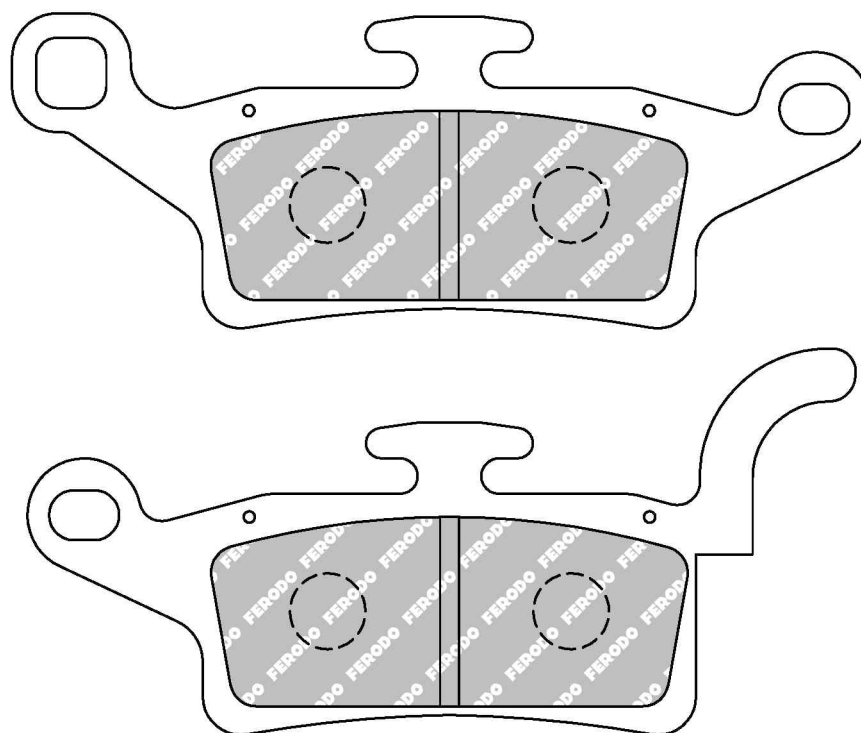
MATERIAL AVAILABILITY						
P	PRP	AG	SG	ST	CP1	XRAC
			✓			

FDB2264

113.7 x 41.7 x 8.8 mm / 109.6 x 51.1 x 9.7 mm

MBK, YAMAHA

FRONT



MATERIAL AVAILABILITY						
P	PRP	AG	SG	ST	CP1	XRAC
		✓				

For BUYER'S GUIDE see page 3000

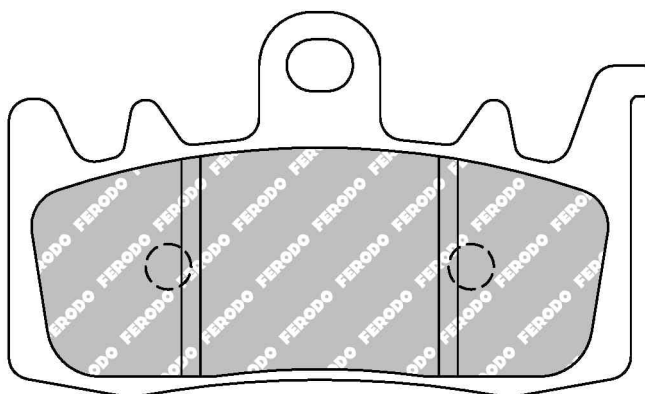
For CROSS REFERENCES see pages 7000 (pads) and 8000 (shoes)

FDB2265

85.3 x 51.1 x 8.1 mm

APRILIA, BENELLI, BMW, CAN AM ATV, DUCATI, MV AGUSTA

FRONT



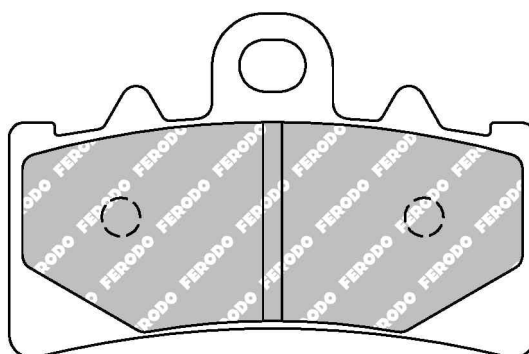
MATERIAL AVAILABILITY						
P	PRP	AG	SG	ST	CP1	XRAC
				✓		

FDB2266

69.9 x 45.5 x 8.9 mm

HUSQVARNA, KTM

FRONT



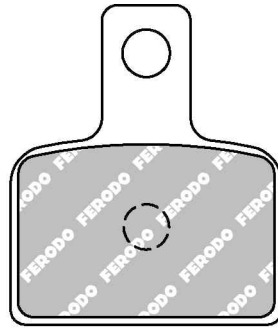
MATERIAL AVAILABILITY						
P	PRP	AG	SG	ST	CP1	XRAC
				✓		

FDB2267

36.0 x 42.3 x 5.8 mm

BETA

REAR



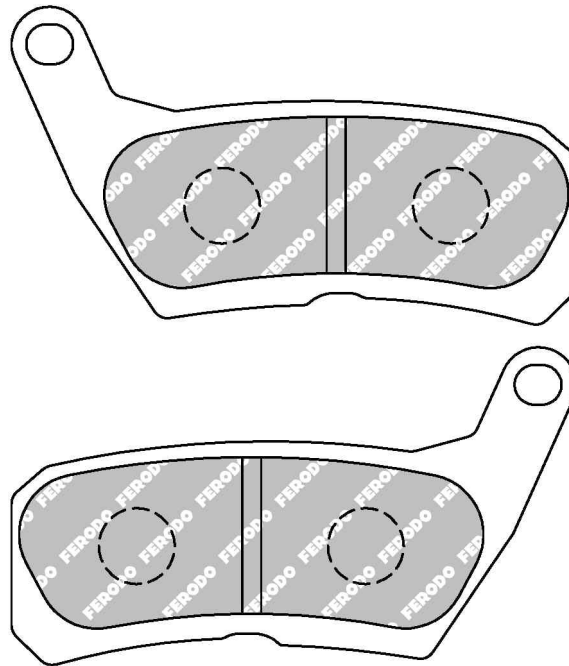
MATERIAL AVAILABILITY						
P	PRP	AG	SG	ST	CP1	XRAC
			✓			

FDB2268

74.6 x 42.0 x 6.5 mm

HONDA

FRONT



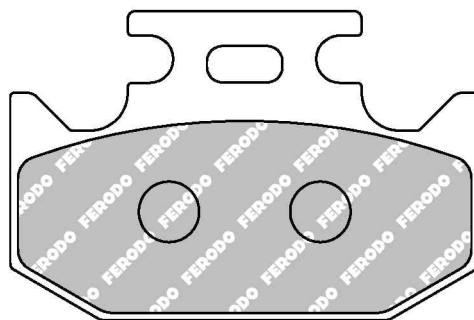
MATERIAL AVAILABILITY						
P	PRP	AG	SG	ST	CP1	XRAC
✓						

FDB2270

62.1 x 40.9 x 7.1 mm

YAMAHA ATV

FRONT



ALSO AVAILABLE		
SHAPE	TH. MM	NOTES
FDB659	9.4	

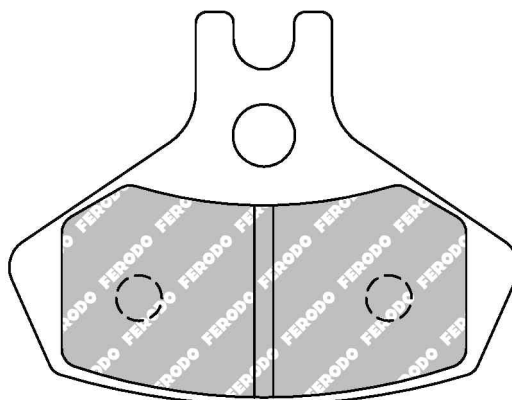
MATERIAL AVAILABILITY						
P	PRP	AG	SG	ST	CP1	XRAC
✓						

FDB2271

67.6 x 52.1 x 7.5 mm

CAN AM ATV

FRONT



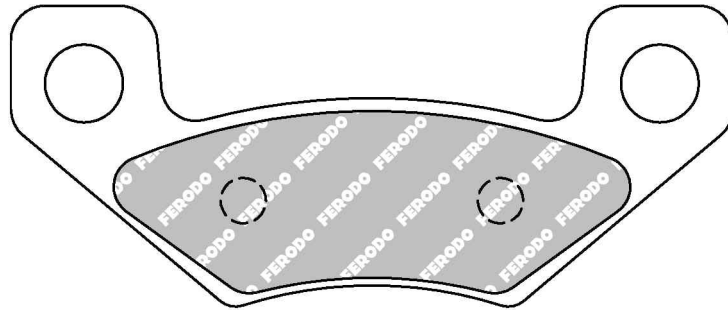
MATERIAL AVAILABILITY						
P	PRP	AG	SG	ST	CP1	XRAC
			✓			

FDB2272

95.5 x 40.0 x 6.1 mm

CAN AM ATV, JOHN DEERE ATV

FRONT / REAR



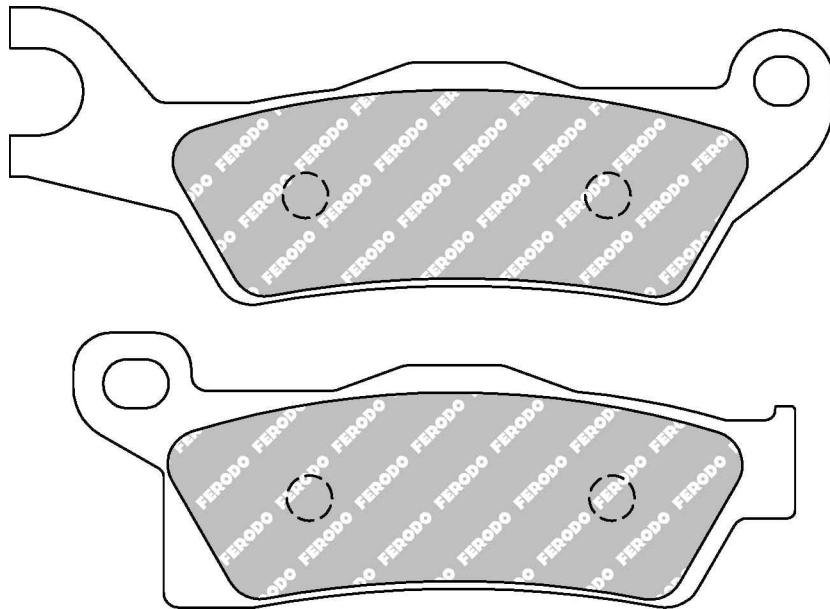
MATERIAL AVAILABILITY						
P	PRP	AG	SG	ST	CP1	XRAC
			✓			

FDB2273

109.1 x 39.3 x 7.6 mm / 95.7 x 36.3 x 7.6 mm

CAN AM ATV

FRONT / REAR



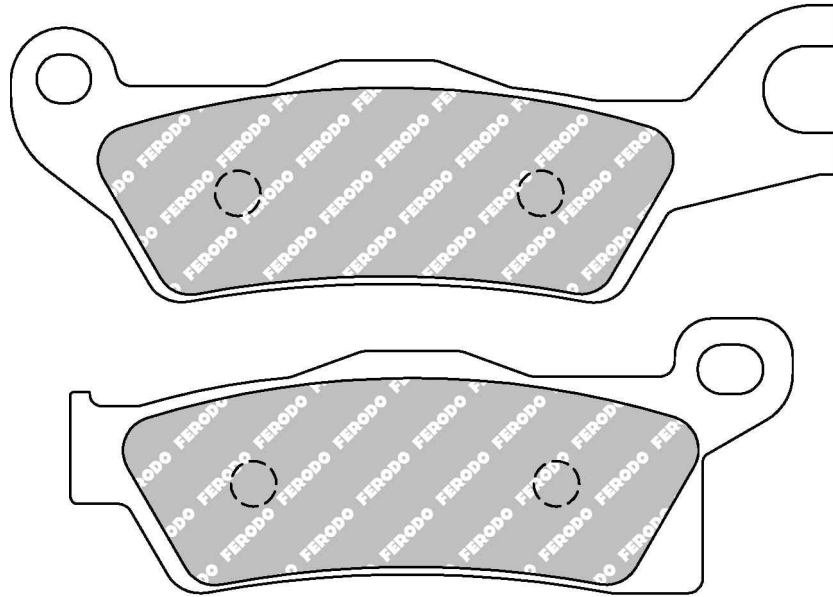
MATERIAL AVAILABILITY						
P	PRP	AG	SG	ST	CP1	XRAC
			✓			

FDB2274

109.1 x 39.3 x 7.6 mm / 95.7 x 36.3 x 7.6 mm

CAN AM ATV

FRONT / REAR



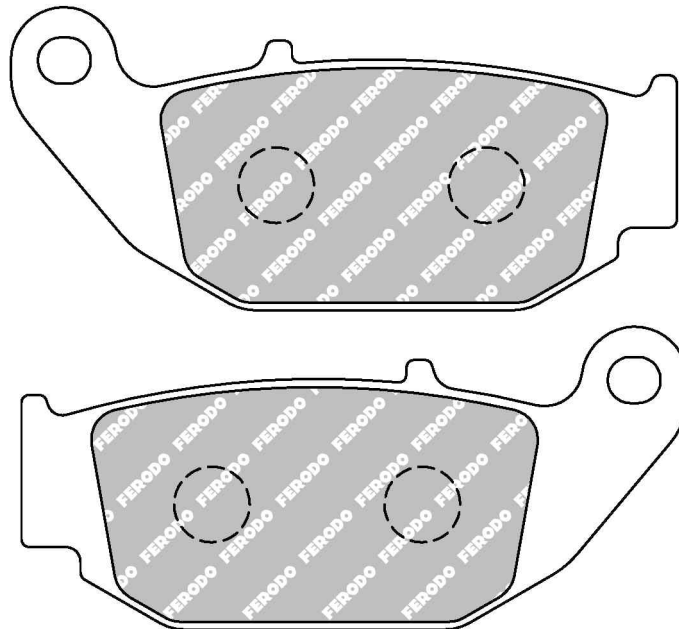
MATERIAL AVAILABILITY						
P	PRP	AG	SG	ST	CP1	XRAC
			✓			

FDB2275

88.1 x 40.0 x 10.0 mm

HONDA

REAR



MATERIAL AVAILABILITY						
P	PRP	AG	SG	ST	CP1	XRAC
✓						

For BUYER'S GUIDE see page 3000

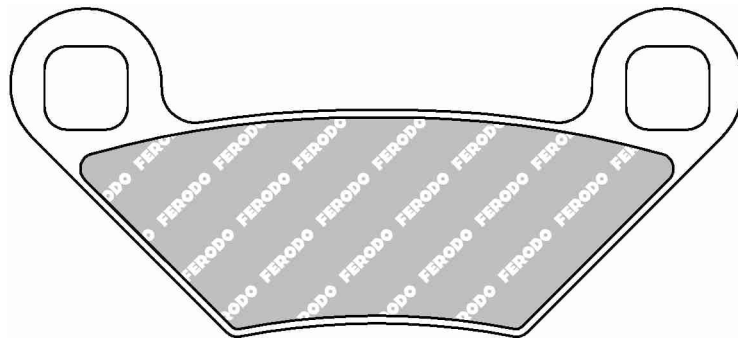
For CROSS REFERENCES see pages 7000 (pads) and 8000 (shoes)

FDB2276

96.9 x 43.3 x 6.9 mm

POLARIS ATV

FRONT / REAR



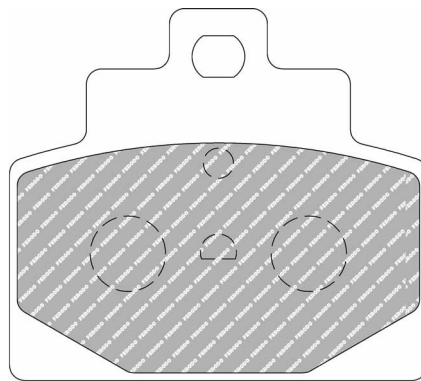
MATERIAL AVAILABILITY						
P	PRP	AG	SG	ST	CP1	XRAC
			✓			

FDB2277

55.5 x 49.3 x 6.8 mm

PIAGGIO

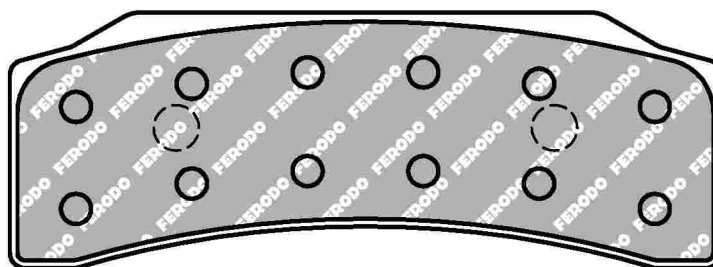
FRONT



MATERIAL AVAILABILITY						
P	PRP	AG	SG	ST	CP1	XRAC
		✓				

FDB2278

94.1 x 33.8 x 9.5 mm



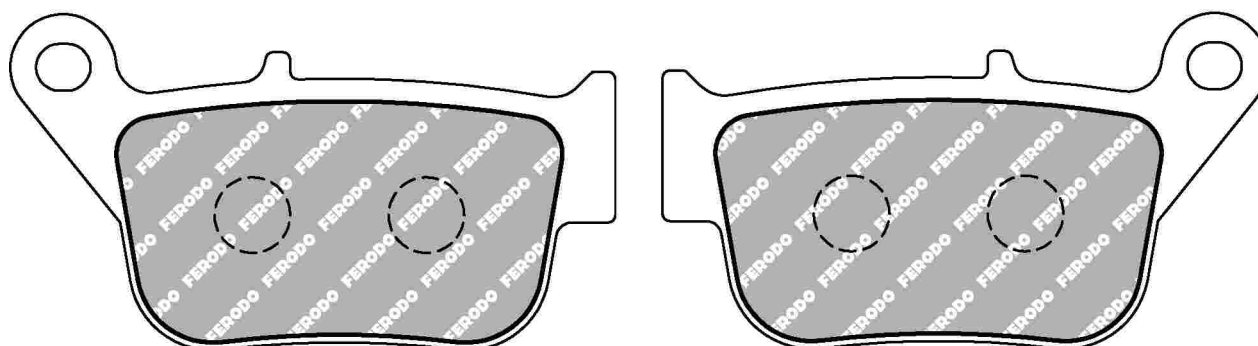
MATERIAL AVAILABILITY						
P	PRP	AG	SG	ST	CP1	XRAC
						✔

FDB2279

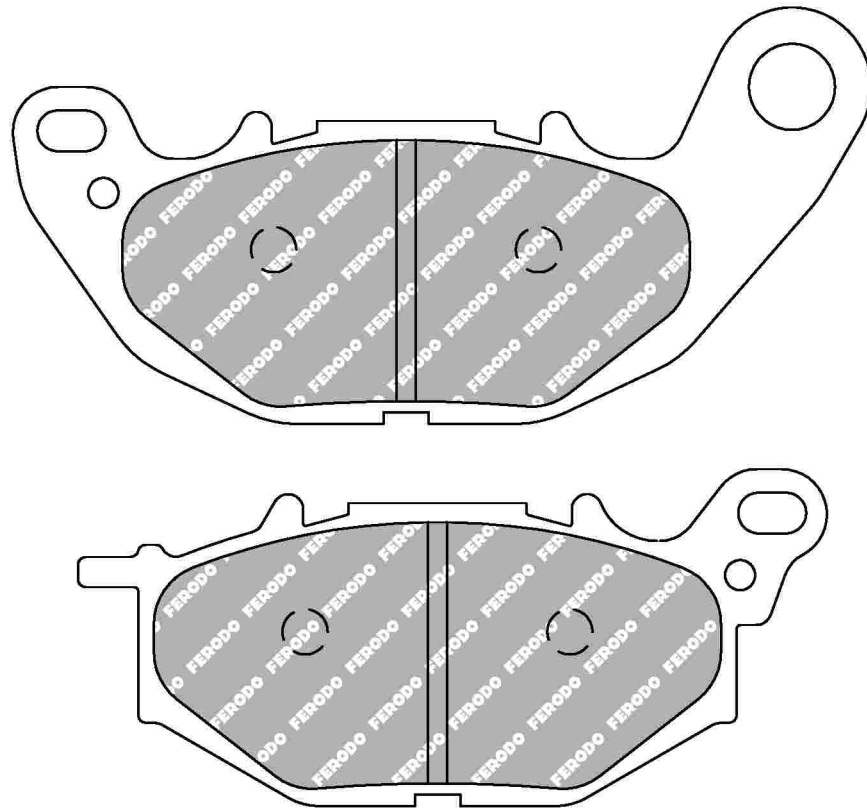
80.1 x 44.5 x 8.8 mm

YAMAHA

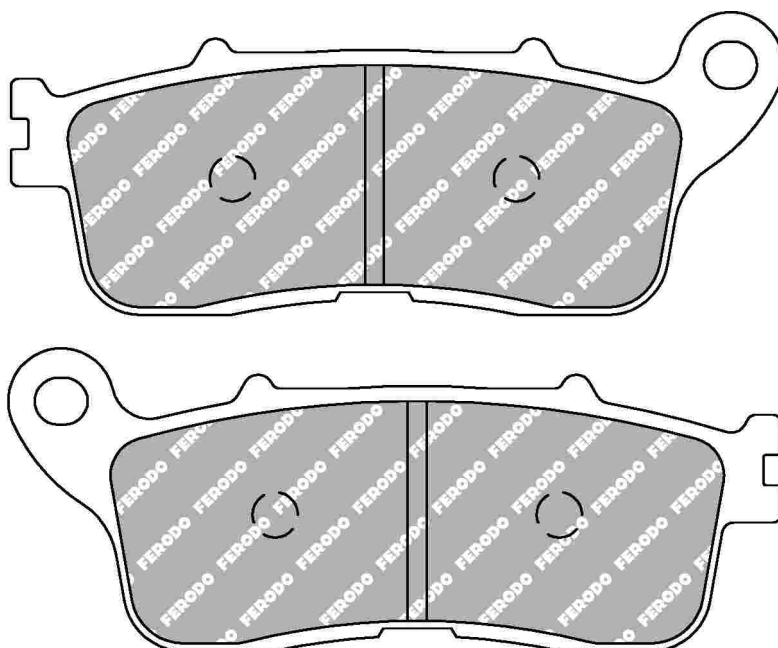
REAR



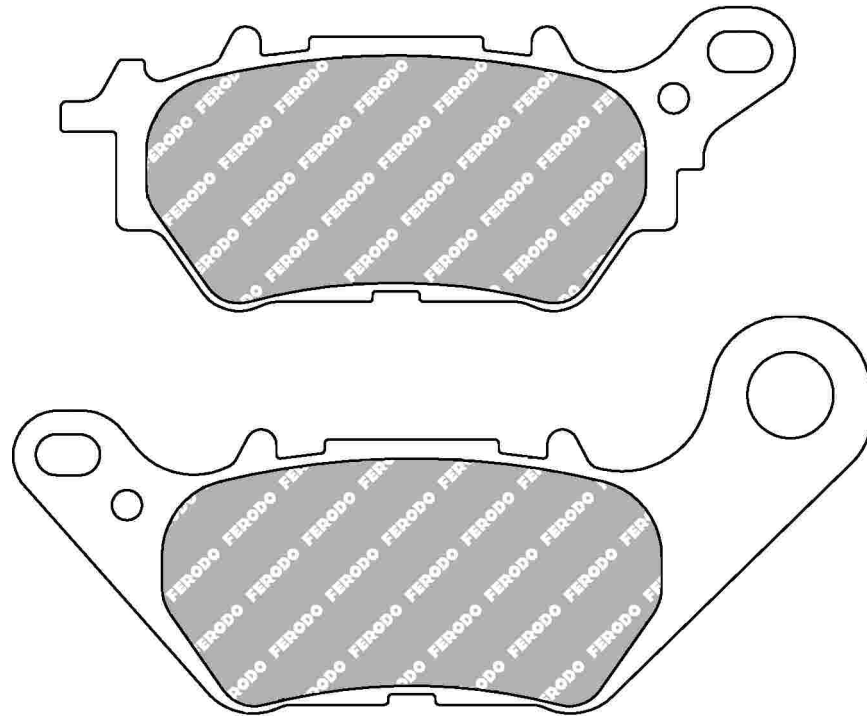
MATERIAL AVAILABILITY						
P	PRP	AG	SG	ST	CP1	XRAC
		↑				



MATERIAL AVAILABILITY						
P	PRP	AG	SG	ST	CP1	XRAC
				↑	↑	



MATERIAL AVAILABILITY						
P	PRP	AG	SG	ST	CP1	XRAC

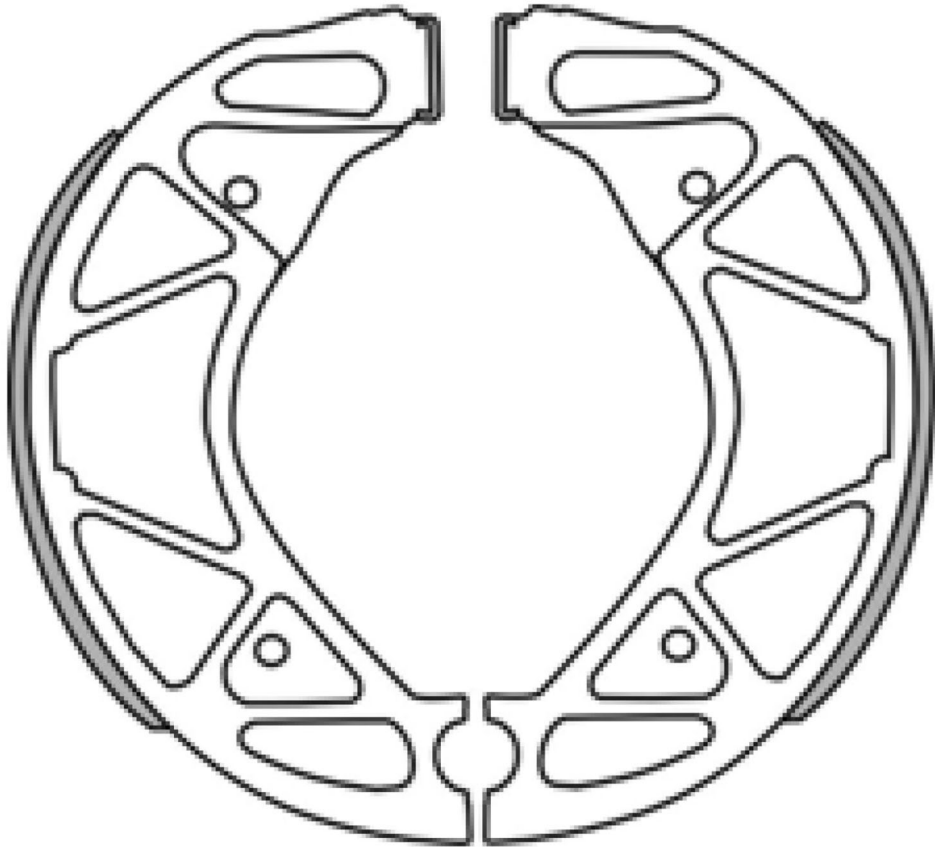


MATERIAL AVAILABILITY						
P	PRP	AG	SG	ST	CP1	XRAC



FERODO™

MOTORCYCLE PADS



Shoe Drawings

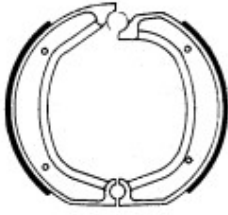
FERODO™

MOTORCYCLE PADS

FSB700 200.0 x 30.0 mm

REAR

Springs NOT included



Drawing not in scale

FSB701 200.0 x 25.0 mm

REAR

Springs NOT included



Drawing not in scale

FSB702 80.0 x 18.0 mm

FRONT / REAR

Springs NOT included



Drawing not in scale

FSB703 95.0 x 20.0 mm

FRONT / REAR

Springs included



Drawing not in scale

FSB704 110.0 x 25.0 mm

FRONT / REAR

Springs included



Drawing not in scale

FSB705 110.0 x 25.0 mm

FRONT / REAR

Springs included



Drawing not in scale

FSB706 130.0 x 30.0 mm

REAR

Springs included

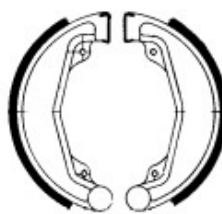


Drawing not in scale

FSB707 140.0 x 25.0 mm

FRONT / REAR

Springs included



Drawing not in scale

FSB708 140.0 x 40.0 mm

REAR

Springs included

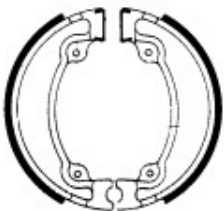


Drawing not in scale

FSB709 130.0 x 30.0 mm

REAR

Springs included



Drawing not in scale

FSB710 180.0 x 38.0 mm

REAR

Springs included



Drawing not in scale

FSB711 160.0 x 40.0 mm

REAR

Springs included



Drawing not in scale

FSB712 80.0 x 18.0 mm

FRONT / REAR

Springs included



Drawing not in scale

FSB713 130.0 x 25.0 mm

FRONT / REAR

Springs included



Drawing not in scale

FSB714 95.0 x 20.0 mm

FRONT / REAR

Springs included

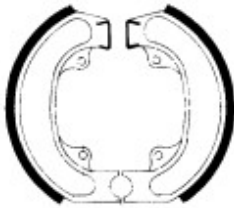


Drawing not in scale

FSB715 110.0 x 25.0 mm

FRONT / REAR

Springs included

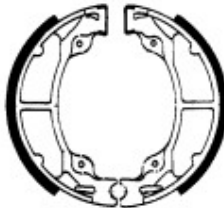


Drawing not in scale

FSB716 110.0 x 30.0 mm

REAR

Springs included

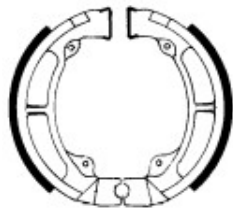


Drawing not in scale

FSB717 120.0 x 35.0 mm

FRONT / REAR

Springs included



Drawing not in scale

FSB718 160.0 x 30.0 mm

REAR

Springs included



Drawing not in scale

FSB719 180.0 x 40.0 mm

REAR

Springs included



Drawing not in scale

FSB720 100.0 x 25.0 mm

FRONT / REAR

Springs included

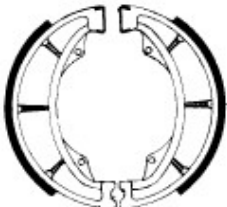


Drawing not in scale

FSB721 130.0 x 28.0 mm

FRONT / REAR

Springs included



Drawing not in scale

FSB722 110.0 x 30.0 mm

FRONT / REAR

Springs included



Drawing not in scale

FSB723 110.0 x 25.0 mm

FRONT / REAR

Springs included



Drawing not in scale

FSB724 150.0 x 28.0 mm

FRONT / REAR

Springs included



Drawing not in scale

FSB725 160.0 x 30.0 mm

REAR

Springs included



Drawing not in scale

FSB726 90.0 x 20.0 mm

FRONT / REAR

Springs included

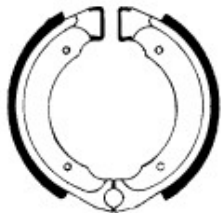


Drawing not in scale

FSB727 80.0 x 20.0 mm

FRONT / REAR

Springs included



Drawing not in scale

FSB728 120.0 x 28.0 mm

FRONT / REAR

Springs included

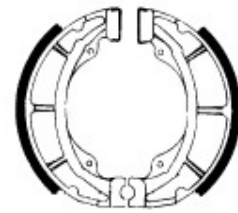


Drawing not in scale

FSB729 120.0 x 30.0 mm

FRONT / REAR

Springs included



Drawing not in scale

FSB730 80.0 x 17.0 mm

FRONT / REAR

Springs NOT included



Drawing not in scale

FSB731 110.0 x 25.0 mm

FRONT / REAR

Springs included



Drawing not in scale

FSB732 110.0 x 25.0 mm

FRONT / REAR

Springs included



Drawing not in scale

FSB733 130.0 x 28.0 mm

FRONT / REAR

Springs included



Drawing not in scale

FSB734 150.0 x 25.0 mm

FRONT / REAR

Springs included



Drawing not in scale

FSB735 180.0 x 30.0 mm

REAR

Springs included



Drawing not in scale

FSB736 160.0 x 30.0 mm

REAR

Springs included



Drawing not in scale

FSB737 130.0 x 22.0 mm

FRONT / REAR

Springs included



Drawing not in scale

FSB738 110.0 x 25.0 mm

FRONT / REAR

Springs included



Drawing not in scale

FSB739 95.0 x 20.0 mm

FRONT / REAR

Springs included



Drawing not in scale

FSB740 110.0 x 30.0 mm

REAR

Springs included



Drawing not in scale

FSB741 180.0 x 30.0 mm

REAR

Springs included



Drawing not in scale

FSB742 160.0 x 30.0 mm

REAR

Springs included



Drawing not in scale

FSB743 160.0 x 25.0 mm

FRONT / REAR

Springs included



Drawing not in scale

FSB744 130.0 x 30.0 mm

FRONT

Springs included



Drawing not in scale

FSB745 130.0 x 30.0 mm

FRONT / REAR

Springs included



Drawing not in scale

FSB746 130.0 x 22.0 mm

FRONT / REAR

Springs included



Drawing not in scale

FSB747 140.0 x 25.0 mm

FRONT

Springs included

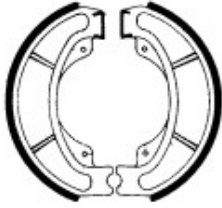


Drawing not in scale

FSB748 130.0 x 25.0 mm

REAR

Springs included



Drawing not in scale

FSB749 140.0 x 30.0 mm

REAR

Springs included



Drawing not in scale

FSB750 150.0 x 25.0 mm

REAR

Springs included



Drawing not in scale

FSB751 130.0 x 25.0 mm

FRONT

Springs included



Drawing not in scale

FSB752 95.0 x 20.0 mm

REAR

Springs included

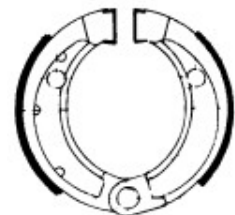


Drawing not in scale

FSB753 87.0 x 20.0 mm

FRONT

Springs included



Drawing not in scale

FSB754 95.0 x 20.0 mm

FRONT / REAR

Springs included



Drawing not in scale

FSB755 140.0 x 30.0 mm

REAR

Springs included

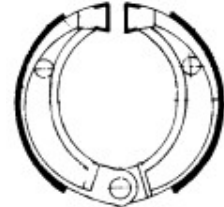


Drawing not in scale

FSB756 85.0 x 20.0 mm

FRONT / REAR

Springs NOT included



Drawing not in scale

FSB757 130.0 x 25.0 mm

REAR

Springs included



Drawing not in scale

FSB758 90.0 x 20.0 mm

FRONT

Springs included



Drawing not in scale

FSB759 140.0 x 25.0 mm

REAR

Springs included



Drawing not in scale

FSB760 140.0 x 28.0 mm

FRONT / REAR

Springs included



Drawing not in scale

FSB761 180.0 x 35.0 mm

REAR

Springs included



Drawing not in scale

FSB762 130.0 x 25.0 mm

FRONT / REAR

Springs included



Drawing not in scale

FSB763 130.0 x 22.0 mm

FRONT / REAR

Springs included



Drawing not in scale

FSB764 95.0 x 20.0 mm

FRONT / REAR

Springs included



Drawing not in scale

FSB765 200.0 x 40.0 mm

REAR

Springs included



Drawing not in scale

FSB766 150.0 x 25.0 mm

FRONT

Springs included



Drawing not in scale

FSB767 160.0 x 25.0 mm

FRONT / REAR

Springs included



Drawing not in scale

FSB768 118.0 x 24.0 mm

REAR

Springs NOT included



Drawing not in scale

FSB769 180.0 x 40.0 mm

REAR

Springs included



Drawing not in scale

FSB770 180.0 x 30.0 mm

FRONT

Springs included



Drawing not in scale

FSB771 100.0 x 20.0 mm

FRONT / REAR

Springs included



Drawing not in scale

FSB772 130.0 x 28.0 mm

FRONT / REAR

Springs included



Drawing not in scale

FSB773 180.0 x 28.0 mm

REAR

Springs included

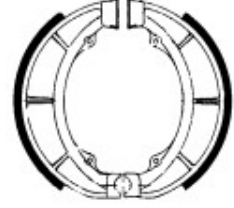


Drawing not in scale

FSB775 130.0 x 23.0 mm

FRONT / REAR

Springs included



Drawing not in scale

FSB776 130.0 x 22.0 mm

FRONT / REAR

Springs included



Drawing not in scale

FSB777 120.0 x 25.0 mm

FRONT / REAR

Springs included



Drawing not in scale

FSB778 130.0 x 22.0 mm

FRONT

Springs included

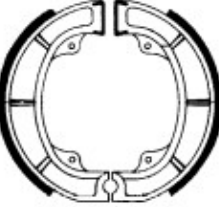


Drawing not in scale

FSB779 150.0 x 22.0 mm

FRONT / REAR

Springs included



Drawing not in scale

FSB780 180.0 x 32.0 mm

REAR

Springs included



Drawing not in scale

FSB781 160.0 x 30.0 mm

REAR

Springs included



Drawing not in scale

FSB782 180.0 x 40.0 mm

REAR

Springs included

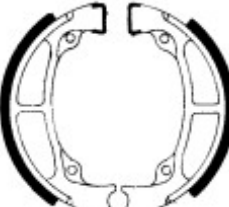


Drawing not in scale

FSB783 100.0 x 20.0 mm

FRONT

Springs NOT included



Drawing not in scale

FSB784 180.0 x 36.0 mm

REAR

Springs included



Drawing not in scale

FSB785 140.0 x 28.0 mm

FRONT / REAR

Springs included



Drawing not in scale

FSB786 120.0 x 22.0 mm

REAR

Springs included



Drawing not in scale

FSB787 130.0 x 28.0 mm

FRONT / REAR

Springs NOT included



Drawing not in scale

FSB788 110.0 x 25.0 mm

FRONT / REAR

Springs included



Drawing not in scale

FSB789 165.0 x 28.0 mm

REAR

Springs included



Drawing not in scale

FSB790 160.0 x 30.0 mm

REAR

Springs included



Drawing not in scale

FSB791 110.0 x 17.0 mm

REAR

Springs included



Drawing not in scale

FSB792 90.0 x 20.0 mm

FRONT / REAR

Springs included



Drawing not in scale

FSB793 180.0 x 30.0 mm

REAR

Springs included



Drawing not in scale

FSB794 180.0 x 35.0 mm

REAR

Springs NOT included



Drawing not in scale

FSB795 200.0 x 35.0 mm

REAR

Springs included



Drawing not in scale

FSB796 220.0 x 25.0 mm

FRONT / REAR

Springs NOT included



Drawing not in scale

FSB797 120.0 x 28.0 mm

FRONT / REAR

Springs included



Drawing not in scale

FSB798 110.0 x 28.0 mm

FRONT / REAR

Springs included



Drawing not in scale

FSB799 140.0 x 28.0 mm

FRONT / REAR

Springs included



Drawing not in scale

FSB800 180.0 x 30.0 mm

FRONT

Springs included

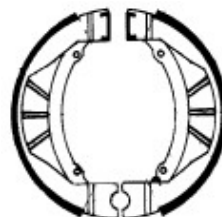


Drawing not in scale

FSB801 95.0 x 20.0 mm

FRONT

Springs included

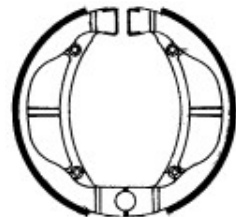


Drawing not in scale

FSB802 90.0 x 20.0 mm

FRONT / REAR

Springs included



Drawing not in scale

FSB803 118.0 x 24.0 mm

FRONT / REAR

Springs included



Drawing not in scale

FSB804 200.0 x 25.0 mm

REAR

Springs NOT included



Drawing not in scale

FSB805 200.0 x 23.0 mm

REAR

Springs NOT included



Drawing not in scale

FSB806 200.0 x 30.0 mm

FRONT

Springs NOT included



Drawing not in scale

FSB807 125.0 x 25.0 mm

FRONT / REAR

Springs included



Drawing not in scale

FSB808 105.0 x 25.0 mm

FRONT / REAR

Springs included



Drawing not in scale

FSB809 105.0 x 25.0 mm

FRONT / REAR

Springs NOT included

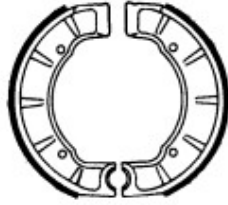


Drawing not in scale

FSB810 130.0 x 20.0 mm

FRONT / REAR

Springs included

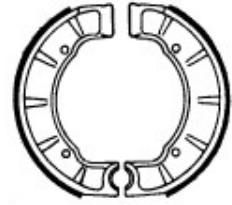


Drawing not in scale

FSB811 130.0 x 20.0 mm

FRONT / REAR

Springs NOT included

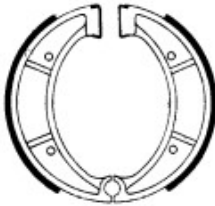


Drawing not in scale

FSB812 160.0 x 30.0 mm

FRONT / REAR

Springs included



Drawing not in scale

FSB813 160.0 x 25.0 mm

FRONT

Springs NOT included



Drawing not in scale

FSB814 130.0 x 30.0 mm

FRONT / REAR

Springs included



Drawing not in scale

FSB815 181.0 x 25.0 mm

FRONT / REAR

Springs included



Drawing not in scale

FSB816 130.0 x 22.0 mm

FRONT / REAR

Springs included



Drawing not in scale

FSB817 140.0 x 25.0 mm

FRONT

Springs included



Drawing not in scale

FSB818 158.0 x 30.0 mm

FRONT / REAR

Springs included



Drawing not in scale

FSB819 160.0 x 30.0 mm

REAR

Springs included



Drawing not in scale

FSB820 110.0 x 30.0 mm

FRONT / REAR

Springs included



Drawing not in scale

FSB821 125.0 x 28.0 mm

FRONT

Springs included



Drawing not in scale

FSB822 80.0 x 20.0 mm

Springs included



Drawing not in scale

FSB823 160.0 x 30.0 mm

FRONT / REAR

Springs included



Drawing not in scale

FSB824 140.0 x 30.0 mm

FRONT / REAR

Springs included

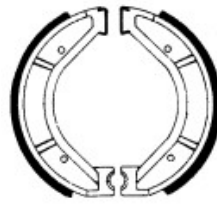


Drawing not in scale

FSB825 122.0 x 30.0 mm

FRONT / REAR

Springs included



Drawing not in scale

FSB826 110.0 x 25.0 mm

FRONT / REAR

Springs included



Drawing not in scale

FSB827 120.0 x 25.0 mm

FRONT / REAR

Springs included



Drawing not in scale

FSB828 150.0 x 30.0 mm

REAR

Springs NOT included



Drawing not in scale

FSB829 140.0 x 20.0 mm

REAR

Springs included



Drawing not in scale

FSB831 95.0 x 22.0 mm

FRONT / REAR

Springs included

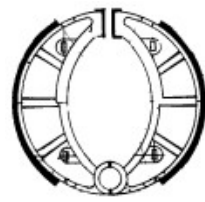


Drawing not in scale

FSB832 110.0 x 25.0 mm

FRONT / REAR

Springs included



Drawing not in scale

FSB833 124.0 x 28.0 mm

FRONT / REAR

Springs included



Drawing not in scale

FSB834 124.0 x 28.0 mm

FRONT / REAR

Springs included



Drawing not in scale

FSB835 150.0 x 25.0 mm

REAR

Springs included



Drawing not in scale

FSB836 120.0 x 25.0 mm

FRONT / REAR

Springs included



Drawing not in scale

FSB837 124.0 x 25.0 mm

FRONT / REAR

Springs included



Drawing not in scale

FSB838 140.0 x 25.0 mm

REAR

Springs included



Drawing not in scale

FSB839 152.0 x 25.0 mm

FRONT / REAR

Springs NOT included



Drawing not in scale

FSB840 150.0 x 17.0 mm

FRONT / REAR

Springs included



Drawing not in scale

FSB841 130.0 x 25.0 mm

REAR

Springs included



Drawing not in scale

FSB842 150.0 x 22.0 mm

FRONT / REAR

Springs NOT included



Drawing not in scale

FSB843 152.0 x 25.0 mm

FRONT / REAR

Springs NOT included



Drawing not in scale

FSB844 125.0 x 22.0 mm

REAR

Springs included

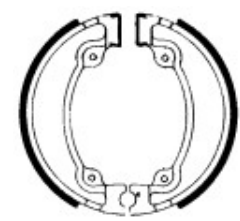


Drawing not in scale

FSB845 130.0 x 30.0 mm

REAR

Springs NOT included



Drawing not in scale

FSB846 125.0 x 26.0 mm

REAR

Springs included

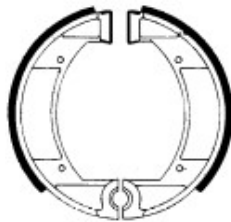


Drawing not in scale

FSB847 136.0 x 25.0 mm

FRONT / REAR

Springs included



Drawing not in scale

FSB848 130.0 x 30.0 mm

REAR

Springs included



Drawing not in scale

FSB849 160.0 x 25.0 mm

FRONT / REAR

Springs included



Drawing not in scale

FSB850 162.0 x 25.0 mm

FRONT / REAR

Springs included



Drawing not in scale

FSB851 140.0 x 30.0 mm

FRONT

Springs NOT included



Drawing not in scale

FSB852 150.0 x 25.0 mm

REAR

Springs included



Drawing not in scale

FSB853 180.0 x 35.0 mm

REAR

Springs included



Drawing not in scale

FSB854 160.0 x 35.0 mm

FRONT / REAR

Springs included



Drawing not in scale

FSB855 160.0 x 35.0 mm

FRONT

Springs included



Drawing not in scale

FSB856 140.0 x 25.0 mm

FRONT / REAR

Springs NOT included



Drawing not in scale

FSB857 140.0 x 30.0 mm

FRONT / REAR

Springs included



Drawing not in scale

FSB858 135.0 x 25.0 mm

REAR

Springs included



Drawing not in scale

FSB859 140.0 x 25.0 mm

REAR

Springs included



Drawing not in scale

FSB860 120.0 x 24.0 mm

FRONT / REAR

Springs NOT included



Drawing not in scale

FSB861 140.0 x 35.0 mm

FRONT / REAR

Springs NOT included



Drawing not in scale

FSB862 110.0 x 25.0 mm

REAR

Springs included



Drawing not in scale

FSB863 200.0 x 27.0 mm

REAR

Springs NOT included



Drawing not in scale

FSB864 100.0 x 20.0 mm

Springs included



Drawing not in scale

FSB865 80.0 x 20.0 mm

FRONT

Springs included



Drawing not in scale

FSB866 100.0 x 23.0 mm

REAR

Springs NOT included



Drawing not in scale

FSB867 105.0 x 25.0 mm

FRONT / REAR

Springs included



Drawing not in scale

FSB869 150.0 x 25.0 mm

FRONT

Springs included



Drawing not in scale

FSB870 90.0 x 20.0 mm

FRONT

Springs included



Drawing not in scale

FSB871 90.0 x 20.0 mm

FRONT / REAR

Springs included

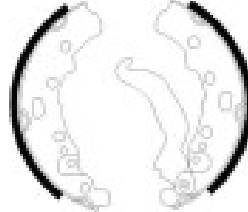


Drawing not in scale

FSB872 190.0 x 47.0 mm

FRONT / REAR

Springs NOT included;6 shoes/box (2 with lever)



Drawing not in scale

FSB873 127.0 x 23.0 mm

REAR

Springs included

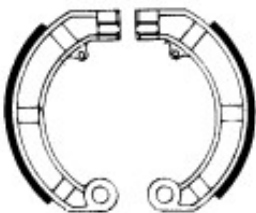


Drawing not in scale

FSB874 150.0 x 24.0 mm

FRONT / REAR

Springs included



Drawing not in scale

FSB875 127.0 x 23.0 mm

REAR

Springs included



Drawing not in scale

FSB876 160.0 x 30.0 mm

REAR

Springs included



Drawing not in scale

FSB877 90.0 x 18.0 mm

FRONT / REAR

Springs NOT included

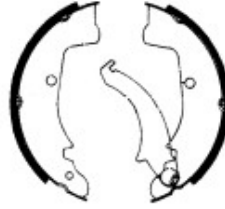


Drawing not in scale

FSB878 180.0 x 41.0 mm

FRONT / REAR

Springs NOT included;6 shoes/box (2 with lever)



Drawing not in scale

FSB879 127.0 x 28.0 mm

REAR

Springs included



Drawing not in scale

FSB880 220.0 x 40.0 mm

FRONT

Springs NOT included



Drawing not in scale

FSB881 220.0 x 40.0 mm

REAR

Springs included

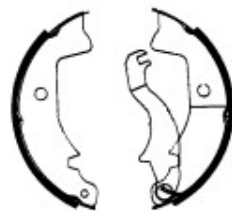


Drawing not in scale

FSB882 180.0 x 41.0 mm

FRONT / REAR

Springs NOT included;6 shoes/box (2 with lever)



Drawing not in scale

FSB883 110.0 x 23.0 mm

REAR

Springs included



Drawing not in scale

FSB884 170.0 x 30.0 mm

REAR

NO Springs:2 shoes/box so 2 boxes required



Drawing not in scale

FSB885 125.0 x 20.0 mm

REAR

Springs included

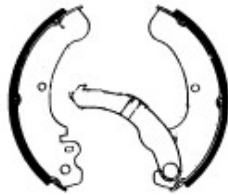


Drawing not in scale

FSB886 160.0 x 32.0 mm

REAR

Springs NOT included;4 shoes/box (2 with lever)



Drawing not in scale

FSB887 150.0 x 24.0 mm

REAR

Springs NOT included



Drawing not in scale

FSB888 190.0 x 18.0 mm

REAR

Springs NOT included



Drawing not in scale

FSB889 135.0 x 16.0 mm

REAR

Springs NOT included



Drawing not in scale

FSB890 125.0 x 17.0 mm

FRONT

Springs NOT included;2 shoes/box



Drawing not in scale

FSB891 150.0 x 24.0 mm

REAR

Piastrieste tipo U include



Drawing not in scale

FSB892 170.0 x 25.0 mm

REAR

Springs NOT included



Drawing not in scale

FSB893 170.0 x 25.0 mm

FRONT

Springs NOT included



Drawing not in scale

FSB894 110.0 x 25.0 mm

FRONT

Springs included



Drawing not in scale

FSB895 100.0 x 20.0 mm

REAR

Springs included



Drawing not in scale

FSB896 110.0 x 22.0 mm

FRONT / REAR

Springs included



Drawing not in scale

FSB897 123.0 x 25.0 mm

FRONT / REAR

Springs included



Drawing not in scale

FSB898 125.0 x 25.0 mm

FRONT / REAR

Springs included



Drawing not in scale

FSB899 125.0 x 25.0 mm

FRONT / REAR

Springs included



Drawing not in scale

FSB900 118.0 x 24.0 mm

REAR

Springs included



Drawing not in scale

FSB901 140.0 x 25.0 mm

FRONT / REAR

Springs included



Drawing not in scale

FSB902 90.0 x 18.0 mm

FRONT / REAR

Springs included



Drawing not in scale

FSB903 104.0 x 22.0 mm

FRONT

Springs included



Drawing not in scale

FSB904 125.0 x 25.0 mm

FRONT / REAR

Springs NOT included



Drawing not in scale

FSB905 123.0 x 25.0 mm

REAR

Springs included



Drawing not in scale

FSB906 104.0 x 22.0 mm

FRONT

Springs included



Drawing not in scale

FSB907 118.0 x 20.0 mm

FRONT / REAR

Springs included



Drawing not in scale

FSB908 90.0 x 18.0 mm

FRONT / REAR

Springs included



Drawing not in scale

FSB909 125.0 x 25.0 mm

REAR

Springs included



Drawing not in scale

FSB910 105.0 x 20.0 mm

FRONT / REAR

Springs included



Drawing not in scale

FSB911 125.0 x 25.0 mm

FRONT / REAR

Springs included



Drawing not in scale

FSB912 150.0 x 18.0 mm

REAR

Springs included



Drawing not in scale

FSB913 130.0 x 22.0 mm

FRONT

Springs included



Drawing not in scale

FSB914 110.0 x 25.0 mm

FRONT

Springs included



Drawing not in scale

FSB915 104.0 x 20.0 mm

FRONT / REAR

Springs included



Drawing not in scale

FSB916 138.0 x 25.0 mm

FRONT / REAR

Springs included



Drawing not in scale

FSB917 127.0 x 16.0 mm

FRONT / REAR

Springs NOT included



Drawing not in scale

FSB918 150.0 x 22.0 mm

FRONT / REAR

Springs NOT included



Drawing not in scale

FSB919 180.0 x 25.0 mm

FRONT

Springs included



Drawing not in scale

FSB920 200.0 x 30.0 mm

FRONT

Springs NOT included



Drawing not in scale

FSB921 200.0 x 40.0 mm

REAR

Springs included

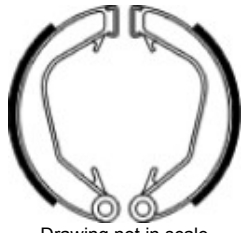


Drawing not in scale

FSB922 180.0 x 30.0 mm

REAR

Springs included



Drawing not in scale

FSB923 200.0 x 30.0 mm

FRONT

Springs NOT included

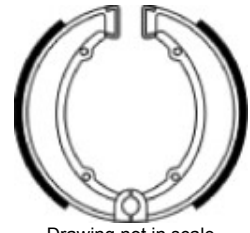


Drawing not in scale

FSB924 180.0 x 28.0 mm

REAR

Springs NOT included

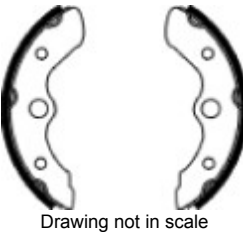


Drawing not in scale

FSB925 160.0 x 30.0 mm

FRONT

Springs NOT included



Drawing not in scale

FSB927 140.0 x 20.0 mm

FRONT

Springs included

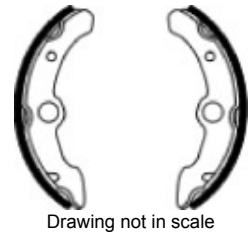


Drawing not in scale

FSB928 160.0 x 30.0 mm

FRONT

Springs included



Drawing not in scale

FSB929 180.0 x 30.0 mm

FRONT

Springs included



Drawing not in scale

FSB931 160.0 x 20.0 mm

FRONT

Springs included



Drawing not in scale

FSB932 160.0 x 30.0 mm

FRONT

Springs included

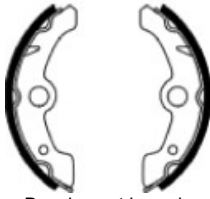


Drawing not in scale

FSB933 160.0 x 25.0 mm

FRONT

Springs included

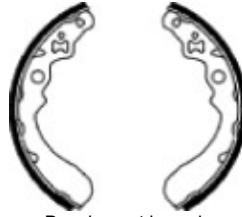


Drawing not in scale

FSB934 165.0 x 32.0 mm

FRONT

Springs included



Drawing not in scale

FSB935 190.0 x 47.0 mm

FRONT / REAR

Springs NOT included; 8 shoes/box (2 with lever)



Drawing not in scale

FSB936 85.0 x 20.0 mm

FRONT

Springs NOT included



Drawing not in scale

FSB937 80.0 x 16.0 mm

FRONT / REAR

Springs NOT included



Drawing not in scale

FSB938 110.0 x 25.0 mm

FRONT / REAR

Springs included



Drawing not in scale

FSB939 125.0 x 25.0 mm

FRONT

Springs included



Drawing not in scale

FSB940 100.0 x 20.0 mm

REAR

Springs included



Drawing not in scale

FSB941 110.0 x 25.0 mm

REAR

Springs included



Drawing not in scale

FSB942 160.0 x 25.0 mm

FRONT

Springs included



Drawing not in scale

FSB943 180.0 x 30.0 mm

FRONT

Springs included

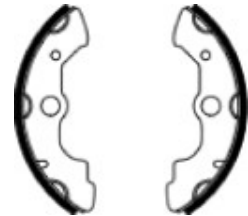


Drawing not in scale

FSB944 160.0 x 30.0 mm

FRONT

Springs included

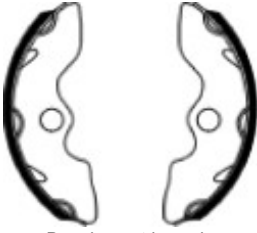


Drawing not in scale

FSB945 130.0 x 25.0 mm

FRONT

Springs NOT included



Drawing not in scale

FSB946 160.0 x 30.0 mm

REAR

Springs included



Drawing not in scale

FSB947 130.0 x 28.0 mm

FRONT / REAR

Springs included



Drawing not in scale

FSB948 159.0 x 25.0 mm

FRONT / REAR

Springs included



Drawing not in scale

FSB950 200.0 x 40.0 mm

FRONT

Springs NOT included



Drawing not in scale

FSB951 150.0 x 18.0 mm

REAR

Springs NOT included



Drawing not in scale

FSB952 105.0 x 22.0 mm

FRONT / REAR

Springs included



Drawing not in scale

FSB953 140.0 x 25.0 mm

REPLACED BY FSB954



Drawing not in scale

FSB954 140.0 x 25.0 mm

REAR

Springs included

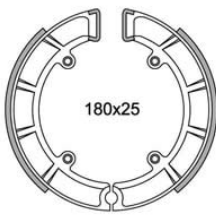


Drawing not in scale

FSB955 180.0 x 25.0 mm

FRONT / REAR

Springs NOT included

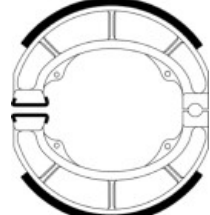


Drawing not in scale

FSB956 130.0 x 20.0 mm

REAR

Springs included

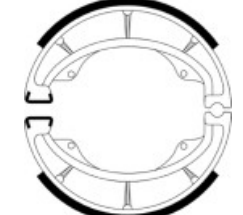


Drawing not in scale

FSB957 130.0 x 28.0 mm

REAR

Springs included



Drawing not in scale

FSB958 130.0 x 25.0 mm

REAR

Springs included



Drawing not in scale

FSB959 150.0 x 30.0 mm

REAR

Springs included



Drawing not in scale

FSB960 130.0 x 28.0 mm

REAR

Springs included



Drawing not in scale

FSB962 130.0 x 25.0 mm

REAR

Springs included



Drawing not in scale

FSB963 130.0 x 25.0 mm

REAR

Springs included



Drawing not in scale

FSB964 130.0 x 28.0 mm

REAR

Springs included



Drawing not in scale

FSB965 200.0 x 38.0 mm

REAR

Springs included



Drawing not in scale

FSB966 123.0 x 28.0 mm

REAR

Springs NOT included



Drawing not in scale

FSB967 150.0 x 28.0 mm

REAR

Springs included

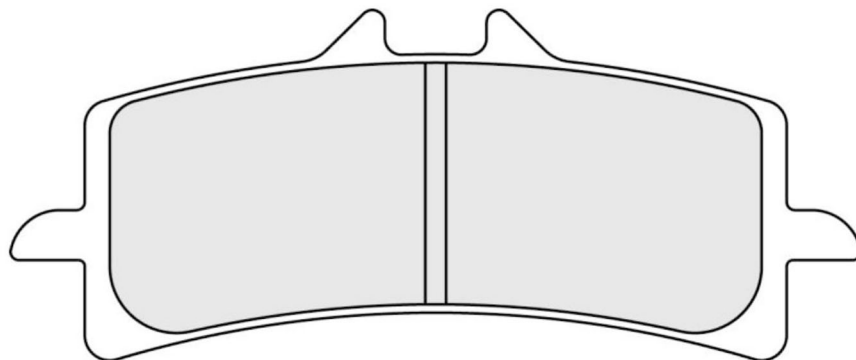
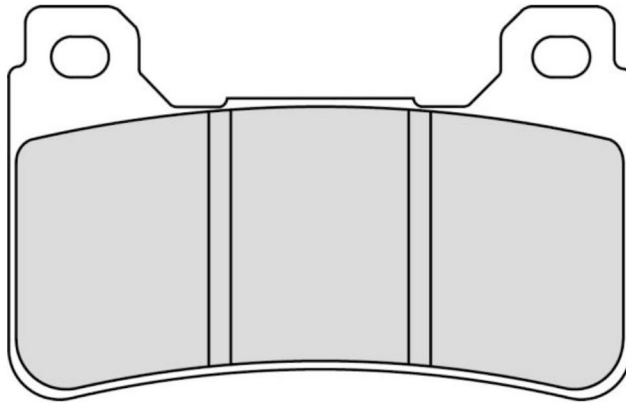


Drawing not in scale



FERODO™

MOTORCYCLE PADS



BRAKE PADS XREF
Competitors to Ferodo

FERODO™

MOTORCYCLE PADS

BRAKE PADS X-REF

COMPETITORS - OE TO FERODO

BRAKING	Ferodo	BREMBO	Ferodo	BREMBO	Ferodo	BREMBO	Ferodo
686	FDB381	07GR0416	FDB828	07HO1708	FDB310	07KA25	FDB2188
720	FDB664	07GR0501	FDB436	07HO1807	FDB538	07KA27SD	FDB2110
888	FDB2142	07GR0601	FDB697	07HO2002	FDB381	07KA28 (For ST)	FDB2220
957CM56	FDB2281	07GR0705	FDB698	07HO2107	FDB462	07KS0432	FDB314
960	FDB2265	07GR1001	FDB696	07HO2107	FDB2113	07KS0507	FDB338
961	FDB2264	07GR1101	FDB695	07HO2202	FDB661	07PO02SD	FDB2055
		07GR1305	FDB624	07HO23RR	FDB452	07PO03SD	FDB2054
		07GR1406	FDB706	07HO2506	FDB495	07PO04	FDB2121
BREMBO	Ferodo	07GR18	FDB2266	07HO2608	FDB539	07PO05	FDB2177
07.7874.24	FDB2166	07GR20	FDB2262	07HO2711	FDB531	07PO06	FDB2176
07.8354.24	FDB2228	07GR2004	FDB784	07HO2807	FDB533	07PO07	FDB2236
07.92.8720	FDB2210	07GR2004	FDB2100	07HO29	FDB495	07SU0125	FDB150
07.9340.10	FDB2122	07GR2106	FDB782	07HO3005	FDB570	07SU0220	FDB178
07.9340.20	FDB2170	07GR23	FDB2127	07HO3405	FDB570	07SU0312	FDB218
07.9340.90	FDB2171	07GR35	FDB2198	07HO3405	FDB2187	07SU0412	FDB217
07.B366.90	FDB2278	07GR49	FDB2148	07HO3405	FDB2225	07SU0607	FDB389
07004	FDB2074	07GR50	FDB2149	07HO3607	FDB754	07SU0707	FDB390
07006	FDB438	07GR50	FDB2235	07HO3807	FDB625	07SU0808	FDB673
07007	FDB2060	07GR5105	FDB2103	07HO3907	FDB2002	07SU0904	FDB404
07009	FDB697	07GR5209	FDB2184	07HO4108	FDB664	07SU1005	FDB437
07039	FDB383	07GR54	FDB2175	07HO4206	FDB2073	07SU1132	FDB2013
07044	FRP405	07GR5605	FDB498	07HO4206	FDB2098	07SU1215	FDB497
07093	FDB2264	07GR5804	FDB2109	07HO45CC	FDB2114	07SU1306	FDB151
07098	FDB570	07GR5915	FDB155	07HO45RC	FDB2079	07SU1306	FDB569
07BB01	FDB207	07GR6207	FDB2124	07HO45SA	FDB2114	07SU1407	FDB557
07BB0210	FDB2005	07GR6610	FDB342	07HO45SC	FDB2079	07SU1509	FDB606
07BB03	FDB2006	07GR68	FDB2145	07HO48SD	FDB2139	07SU1718	FDB607
07BB0410	FDB2018	07GR69	FDB2157	07HO4905	FDB2143	07SU1907	FDB873
07BB0410	FDB2039	07GR70	FDB2183	07HO50	FDB2181	07SU1907	FDB2144
07BB05	FDB2120	07GR72	FDB2201	07HO55	FDB2182	07SU2007	FDB2058
07BB0606	FDB592	07GR76	FDB2244	07HO5606	FDB2169	07SU26	FDB2164
07BB0708	FDB731	07GR7707	FDB2216	07HO57	FDB2196	07SU27	FDB2178
07BB0810	FDB2062	07HD0105	FDB185	07HO58	FDB2195	07SU2906	FDB2016
07BB0907	FDB499	07HD0202	FDB333	07HO59	FDB2221	07SU30	FDB2163
07BB12	FRP405	07HD0303	FDB334	07HO60	FDB2281	07SU31	FDB2197
07BB1205	FDB2107	07HD0413	FDB335	07KA0122	FDB132	07SU32	FDB2213
07BB1310	FDB694	07HD0614	FDB352	07KA0223	FDB181	07YA0309	FDB177
07BB1410	FDB108	07HD0810	FDB485	07KA0414	FDB220	07YA0413	FDB247
07BB1410	FDB148	07HD1011	FDB2001	07KA0506	FDB299	07YA0713	FDB184
07BB1507	FRP408	07HD1109	FDB847	07KA0608	FDB298	07YA0809	FDB277
07BB1606	FDB529	07HD1210	FDB2097	07KA0717	FDB313	07YA1011	FDB311
07BB1710	FDB680	07HD13	FDB2179	07KA0808	FDB339	07YA1107	FDB337
07BB1910	FDB2042	07HD14	FDB2180	07KA0933	FDB481	07YA1207	FDB386
07BB2010	FDB2074	07HD15	FDB2250	07KA1016	FDB494	07YA1305	FDB411
07BB2107	FDB736	07HD16	FDB2202	07KA1117	FDB508	07YA1407	FDB383
07BB22	FDB2050	07HO0130	FDB119	07KA1207	FDB659	07YA1407	FDB475
07BB2307	FDB204	07HO0307	FDB182	07KA1306	FDB574	07YA1519	FDB2014
07BB2507	FDB2102	07HO0411	FDB134	07KA1406	FDB741	07YA1605	FDB2015
07BB2607	FDB2125	07HO0712	FDB183	07KA1617	FDB2012	07YA1711	FDB449
07BB2750	FDB2165	07HO0906	FDB250	07KA1705	FDB892	07YA1809	FDB583
07BB33	FDB2255	07HO1010	FDB244	07KA1807	FDB2049	07YA1909	FDB591
07BB37	FDB2260	07HO1010	FDB665	07KA1907	FDB2048	07YA2008	FDB631
07BB38	FDB2265	07HO1118	FDB313	07KA20RC	FDB2036	07YA2307	FDB605
07BM2207	FDB2050	07HO1304	FDB312	07KA2107	FDB2111	07YA2409	FDB666
07BM2407	FDB2050	07HO1406	FDB310	07KA22SD	FDB2080	07YA2508	FDB737
07GR0101	FDB213	07HO1505	FDB382	07KA2305	FDB2158	07YA2609	FDB637
07GR0204	FDB205						

For BUYER'S GUIDE see page 3000

For CROSS REFERENCES see pages 7000 (pads) and 8000 (shoes)

BRAKE PADS X-REF

COMPETITORS - OE TO FERODO

BREMBO	Ferodo	BREMBO	Ferodo	CL BRAKES	Ferodo	CL BRAKES	Ferodo
07YA2709	FDB781	7060	FDB2186	2249	FDB207	2332	FDB148
07YA2905	FDB889	7061	FDB2207	2251	FDB574	2342	FDB485
07YA3006	FDB636	7062	FDB2108	2252	FDB462	2352	FDB2018
07YA3108	FDB865	7063	FDB2196	2252	FDB2113	2353	FDB2005
07YA3208	FDB864	7064	FDB2212	2253	FDB662	2360	FDB737
07YA3408	FDB2003	7065	FDB2208	2254	FDB864	2361	FDB605
07YA3507	FDB662	7068	FDB2224	2255	FDB873	2362	FDB865
07YA3807	FDB2084	7069	FDB2226	2255	FDB2144	2363	FDB741
07YA3908	FDB2156	M028Z04 (Z04)	FDB2007	2256	FDB570	2369	FDB847
07YA4007	FDB2150			2256	FDB2187	2370	FDB2001
07YA41	FDB2162	CL BRAKES	Ferodo	2256	FDB2225	2377	FRP405
07YA45	FDB2193	1033	FDB2120	2257	FDB2002	2377	FDB2107
07YA46	FDB2217	1034	FDB2110	2258	FDB736	2381	FDB2012
07YA47	FDB2219	1066	FDB2150	2260	FDB784	2382	FDB244
07YA48	FDB2230	1067	FDB2143	2260	FDB2100	2382	FDB538
07YA49	FDB2231	1075	FDB2166	2269	FDB2194	2383	FDB2048
07YA50	FDB2232	1076	FDB2139	2280	FDB151	2384	FDB2049
07YA51	FDB2233	1078	FDB2157	2280	FDB389	2385	FDB496
07YA52	FDB2280	1083	FDB2158	2281	FDB569	2386	FDB673
07YA53	FDB2283	1084	FDB2156	2282	FDB183	2387	FDB404
107268641	FRP416	1101	FDB2125	2282	FDB338	2388	FDB607
107684820 (Z01)	FDB2007	1102	FDB2149	2283	FDB337	2389	FDB508
7005	FDB2190	1102	FDB2235	2284	FDB383	2390	FDB2058
7010	FDB783	1103	FDB2162	2284	FDB475	2391	FDB781
7011	FDB672	1108	FDB2165	2285	FDB339	2392	FDB591
7012	FDB677	1110	FDB2203	2287	FDB2192	2393	FDB583
7016	FDB2101	1128	FDB2183	2288	FDB497	2396	FDB2006
7017	FDB2037	1133	FDB2178	2289	FDB665	2398	FDB498
7018	FDB2191	1134	FDB2181	2296	FDB754	2400	FDB499
7019	FDB2056	1139	FDB2145	2298	FDB531	2404	FDB2036
7019	FDB2057	1140	FDB2182	2299	FDB659	2408	FDB250
7020	FDB2090	1142	FDB2188	2300	FDB495	2408	FDB625
7021	FDB2095	1144	FDB706	2300	FDB892	2424	FDB2015
7022	FDB2096	1145	FDB2163	2301	FDB386	2430	FDB2050
7023	FDB2129	1146	FDB677	2302	FDB495	2451	FDB382
7031	FDB2192	1147	FDB2184	2303	FDB2050	2466	FDB731
7033	FDB2087	1148	FDB2169	2304	FDB481	2469	FDB313
7034	FDB2075	1149	FDB2179	2305	FDB449	2470	FDB2008
7036	FDB2133	1150	FDB2180	2306	FDB314	2472	FDB828
7037	FDB2085	1151	FDB2141	2307	FDB680	2539	FDB2042
7038	FDB2086	1152	FDB2197	2307	FDB889	2539	FDB2099
7038	FDB2119	1153	FDB2096	2308	FDB606	2546	FDB2003
7043	FDB2083	1159	FDB2196	2309	FDB637	2586	FDB887
7045	FDB2105	1163	FDB2213	2310	FDB452	2599	FDB185
7047	FDB2115	1165	FDB2176	2311	FDB449	2602	FDB2073
7048	FDB2128	1172	FDB2210	2311	FDB666	2602	FDB2075
7050	FDB2141	1174	FDB2221	2313	FDB570	2602	FDB2098
7051	FDB2140	1175	FDB2085	2313	FDB664	2621	FDB312
7052	FDB2126	1177 (For ST)	FDB2220	2314	FDB539	2694	FDB218
7053	FDB2130	1180	FDB2217	2314	FDB672	2696	FDB636
7054	FDB2147	1185	FDB2260	2326	FDB631	2699	FDB352
7055	FDB2132	1187	FDB2216	2328	FDB381	2700	FDB333
7056	FDB2142	2245	FDB533	2328	FDB661	2701	FDB335
7057	FDB2146	2246	FDB557	2329	FDB2007	2711	FDB2079
7058	FDB2173	2247	FRP408	2329	FDB2123	2711	FDB2114
7059	FDB2200	2248	FDB663	2332	FDB108	2713	FDB2084

BRAKE PADS X-REF

COMPETITORS - OE TO FERODO

CL BRAKES	Ferodo	CL BRAKES	Ferodo	EBC	Ferodo	EBC	Ferodo
2718	FDB334	3036	FDB631	FA063	FDB338	FA130	FDB494
2720	FDB2167	3037	FDB694	FA065	FDB217	FA131	FDB539
2750	FDB2080	3038	FDB625	FA066	FDB299	FA131/2	FDB783
2792	FDB411	3041	FDB2101	FA067	FDB314	FA131/3	FDB672
2794	FDB438	3043	FDB2056	FA067/2	FDB731	FA134	FDB499
2799	FDB2013	3043	FDB2057	FA068	FDB298	FA135	FDB497
2801	FDB592	3047	FDB2191	FA068	FDB299	FA136	FDB591
2802	FDB311	3049	FDB2085	FA069	FDB244	FA137	FDB2016
2807	FDB277	3054	FDB2115	FA069/2	FDB538	FA138	FDB485
2813	FDB2111	3056	FDB2105	FA069/3	FDB665	FA140	FDB531
2814	FDB182	3060	FDB2142	FA070	FDB277	FA141	FDB508
2827	FDB2074	3066	FDB2173	FA071	FDB333	FA142	FDB570
2828	FDB2083	3074	FDB2132	FA072	FDB334	FA142	FDB2187
2840	FDB204	3075	FDB2200	FA073	FDB132	FA142	FDB2225
2847	FDB177	3083	FDB2212	FA074	FDB695	FA143	FDB496
2899	FDB2036			FA076	FDB205	FA145	FDB557
2900	FDB2039	DP (Dunlop) BRAKE	Ferodo	FA077	FDB204	FA146	FDB569
2914	FDB2133	DP113	FDB496	FA078	FDB335	FA147	FDB606
2919	FDB2034	DP129	FDB2143	FA080/2	FDB310	FA151	FDB2192
2920	FDB2033	DP506	FDB2281	FA081	FDB311	FA152	FDB659
2923	FDB2148	DP509	FDB2255	FA083	FDB313	FA155	FDB2017
2924	FDB2054	DP514	FDB2262	FA084	FDB381	FA157	FDB607
2925	FDB2121	DP638	FDB2120	FA084/3	FDB661	FA158	FDB574
2926	FDB2175	DP843	FDB2017	FA085	FDB339	FA159	FDB2055
2927	FDB2055	DP962	FDB2210	FA086	FDB312	FA160	FDB666
2958	FDB2097	DP987	FDB2251	FA088	FDB337	FA161	FDB338
2959	FRP213			FA093	FDB384	FA162	FDB2194
2960	FDB2124	EBC	Ferodo	FA094	FDB352	FA163	FDB529
2961	FDB557	FA013	FDB119	FA095	FRP408	FA165	FDB631
2987	FDB2102	FA016	FRP213	FA098	FDB696	FA167	FDB706
3004	FDB697	FA016	FDB342	FA099	FDB436	FA169	FDB636
3005	FDB784	FA018	FDB108	FA101	FDB383	FA171	FDB736
3005	FDB2100	FA018	FDB148	FA101	FDB475	FA172	FDB737
3008	FDB383	FA021	FDB2014	FA102	FDB390	FA173	FDB828
3011	FDB244	FA022	FDB155	FA103	FDB389	FA174	FDB754
3012	FDB828	FA024/2	FDB185	FA104	FDB386	FA175	FRP415
3013	FDB680	FA027	FDB88	FA105	FDB411	FA177	FDB782
3014	FDB672	FA030	FDB182	FA106	FDB404	FA179	FDB781
3015	FRP405	FA032	FDB134	FA106/2	FDB673	FA180	FDB741
3016	FRP405	FA033	FDB132	FA107A	FRP410	FA181	FDB2018
3017	FDB538	FA034	FDB177	FA110	FDB437	FA182	FDB637
3018	FDB625	FA035	FDB150	FA115	FRP405	FA185	FDB892
3019	FDB382	FA036	FDB151	FA116	FDB697	FA186	FDB784
3019	FDB2119	FA037	FDB181	FA118	FDB583	FA187	FDB533
3020	FDB2060	FA038	FDB178	FA119	FDB2015	FA188	FDB873
3022	FDB313	FA041	FDB184	FA120	FDB592	FA188	FDB2144
3023	FDB313	FA045	FDB183	FA121	FDB462	FA189	FDB2002
3024	FDB828	FA047	FDB207	FA123	FDB449	FA190	FDB864
3025	FDB2003	FA047/3	FRP416	FA123	FDB662	FA191	FDB865
3026	FDB2073	FA050	FDB213	FA124	FDB452	FA192	FDB2012
3027	FDB2062	FA051	FDB218	FA124/2	FDB663	FA194	FDB677
3029	FDB636	FA054	FDB250	FA125	FDB495	FA196	FDB570
3030	FDB636	FA060	FDB624	FA126	FDB498	FA196	FDB664
3031	FDB677	FA060	FDB694	FA127	FDB624	FA197	FDB2087
3033	FDB2083	FA061	FDB247	FA128	FDB2013	FA199	FDB2003
3034	FDB436	FA062	FDB220	FA129	FDB481	FA200	FDB2001

BRAKE PADS X-REF

COMPETITORS - OE TO FERODO

EBC	Ferodo	EBC	Ferodo	EBC	Ferodo	EBC	Ferodo
FA201	FDB485	FA301	FDB2095	FA398	FDB2272	FA636HH	FDB2281
FA202	FDB497	FA302	FDB2110	FA399	FDB2201	FA662	FDB2283
FA203	FDB2113	FA303	FDB2109	FA400	FDB2097	GFA263	FDB2167
FA208	FDB2005	FA304	FDB2102	FA401	FDB2197	GFA611HH	FDB2228
FA209	FDB2006	FA305	FDB2096	FA405	FDB2245	MXS405	FDB2245
FA209/2	FDB2006	FA306	FDB2108	FA407	FDB2050	Old FA113	FDB438
FA210	FDB847	FA307	FDB2148	FA408	FDB2200	Old FA139	FDB2001
FA211	FDB2008	FA313	FDB2177	FA409	FDB2210	Old FA168	FDB605
FA213	FDB2005	FA314	FDB2176	FA410	FDB2195	Old FA170	FDB2050
FA214	FDB497	FA317	FDB2149	FA411	FDB2132	Old FA178	FDB625
FA216/2	FDB2041	FA319/2	FDB2156	FA412	FDB2173	old FA206	FDB889
FA216/3	FDB2040	FA320	FDB2198	FA413	FDB2148	Old FA246	FDB2050
FA218	FDB2007	FA321	FDB2115	FA414	FDB2149	SFA131/2	FDB783
FA218/2	FDB2123	FA322/4HH	FDB2120	FA417/4 (For ST)	FDB2220	SFA131/3	FDB672
FA222	FDB2058	FA323	FDB2119	FA418	FDB2186	SFA169	FDB636
FA226	FDB664	FA323/2	FDB382	FA419	FDB2213	SFA186	FDB784
FA228	FDB497	FA323/3	FDB2086	FA423/4HH	FDB2085	SFA193	FDB680
FA229	FDB2048	FA324	FDB2105	FA425	FDB2207	SFA193	FDB889
FA230	FDB2133	FA325	FDB2183	FA426	FDB2185	SFA233	FDB672
FA231	FDB2049	FA335	FDB2125	FA427	FDB2226	SFA234	FDB2101
FA232	FDB2054	FA342	FDB2188	FA428	FDB2235	SFA235	FDB2191
FA233	FDB672	FA343	FDB2143	FA430	FDB2202	SFA255	FDB2037
FA234	FDB2101	FA344	FDB2193	FA432	FDB2216	SFA257	FDB625
FA235	FDB2191	FA345	FDB2145	FA433/4	FDB2244	SFA260	FDB2056
FA236	FDB557	FA346	FDB2139	FA435/4	FDB2166	SFA260	FDB2057
FA237	FDB2048	FA347	FDB2158	FA436	FDB2221	SFA264	FDB2190
FA239	FDB858	FA348	FDB2150	FA442	FDB2217	SFA268	FDB2062
FA244	FDB2042	FA350	FDB2128	FA443	FDB2231	SFA281	FDB2075
FA244	FDB2099	FA351	FDB2127	FA444	FDB2230	SFA283	FDB2085
FA245	FDB2018	FA353	FDB2142	FA445	FDB2233	SFA301	FDB2095
FA249	FDB2036	FA354	FDB2236	FA446	FDB2232	SFA306	FDB2108
FA251	FDB314	FA355	FDB2141	FA447	FDB2260	SFA319	FDB2126
FA252	FDB605	FA356	FDB2140	FA450	FDB2219	SFA321	FDB2115
FA254	FDB2111	FA357	FDB2157	FA452	FDB2263	SFA323/2	FDB382
FA255	FDB2037	FA358	FDB2130	FA454/4	FDB2240	SFA323/3	FDB2086
FA256	FDB438	FA361	FDB2033	FA457	FDB2250	SFA324	FDB2105
FA256	FDB2060	FA362	FDB2034	FA458	FDB2251	SFA353	FDB2142
FA256	FDB2146	FA363	FDB2039	FA464	FDB2238	SFA356	FDB2140
FA258	FDB2080	FA366	FDB2163	FA465	FDB2242	SFA358	FDB2130
FA259	FDB2049	FA367	FDB2162	FA468	FDB2271	SFA393	FDB2224
FA261HH	FDB2073	FA367/2	FDB2206	FA475	FDB2276	SFA408	FDB2200
FA261HH	FDB2098	FA368	FDB2165	FA488	FDB2253	SFA411	FDB2132
FA264	FDB2190	FA369/4	FDB2164	FA491	FDB2252	SFA415	FDB2212
FA265	FDB2079	FA373	FDB2182	FA495	FDB2267	SFA418	FDB2186
FA266	FDB2074	FA374	FDB2147	FA496	FDB2258	SFA425	FDB2207
FA267	FDB2084	FA375	FDB2169	FA499/4HH	FDB2259	SFA430	FDB2208
FA268	FDB2062	FA377	FDB2184	FA602	FDB2257	SFA492	FDB2264
FA270	FDB2121	FA379	FDB2178	FA603	FDB2256	SFA498	FDB2248
FA271	FDB2175	FA380HH	FDB605	FA604/4	FDB2255	SFA603	FDB2256
FA275	FDB2083	FA381	FDB2179	FA606	FDB2266	SFA607	FDB2226
FA283	FDB2085	FA382	FDB828	FA612	FDB2262	SFA607	FDB2254
FA291	FDB2103	FA387	FDB2180	FA613	FDB2124		
FA294	FDB2124	FA388	FDB2196	FA617	FDB2273	GALFER	Ferodo
FA296HH	FDB2114	FA390	FDB2181	FA618	FDB2274	FD005	FDB119
FA297	FDB2129	FA393	FDB2224	FA629	FDB2275	FD008	FDB342
FA298	FDB2090	FA396	FDB2133	FA630	FDB2265	FD012	FDB207

BRAKE PADS X-REF

COMPETITORS - OE TO FERODO

GALFER	Ferodo	GALFER	Ferodo	GALFER	Ferodo	GALFER	Ferodo
FD013	FDB108	FD092	FDB495	FD162	FDB677	FD267	FDB2111
FD013	FDB148	FD093	FDB539	FD163	FDB2194	FD270	FDB2128
FD014	FDB132	FD094	FDB313	FD164	FDB892	FD271	FDB2125
FD016	FDB182	FD095	FDB250	FD165	FDB2005	FD272	FDB2124
FD017	FDB177	FD096	FDB462	FD166	FDB2101	FD275	FDB2141
FD019	FDB185	FD097	FDB2015	FD167	FDB2012	FD276	FDB2140
FD025	FDB134	FD098	FDB592	FD168	FDB2007	FD277	FDB2142
FD028	FDB205	FD099	FDB557	FD169	FDB2003	FD278	FDB2139
FD031	FDB213	FD100	FDB533	FD170	FDB207	FD284	FDB2119
FD035	FDB150	FD101	FDB606	FD171	FDB889	FD286	FDB2162
FD036	FDB155	FD103	FDB531	FD172	FDB2006	FD290	FDB2203
FD038	FDB178	FD104	FDB508	FD174	FDB2048	FD291	FDB2165
FD044	FDB204	FD107	FDB574	FD175	FDB2191	FD295	FDB2156
FD045	FDB183	FD108	FDB570	FD176	FDB2099	FD296	FDB2189
FD046	FDB218	FD109	FDB569	FD177	FDB2133	FD298	FDB2169
FD047	FDB217	FD110	FDB496	FD178	FDB605	FD299	FDB661
FD048	FDB694	FD111	FDB338	FD179	FDB2049	FD300	FDB2054
FD051	FDB277	FD112	FDB664	FD181	FDB2171	FD302	FDB2175
FD052	FDB298	FD113	FDB2192	FD186	FDB2039	FD303	FDB2055
FD052	FDB299	FD114	FDB659	FD188	FDB2190	FD315	FDB2148
FD054	FDB244	FD116	FDB695	FD189	FDB2058	FD319	FDB2188
FD054	FDB538	FD117	FDB631	FD190	FRP416	FD321	FDB2080
FD056	FDB311	FD118	FDB498	FD193	FDB2036	FD325	FDB2178
FD057	FDB337	FD119	FDB529	FD195	FDB2060	FD326	FDB2181
FD058	FDB333	FD120	FDB607	FD197	FDB2037	FD329	FDB2150
FD059	FDB334	FD121	FDB666	FD198	FDB2050	FD331	FDB2158
FD060	FDB310	FD124	FDB352	FD200	FDB2057	FD334	FDB2186
FD062	FDB339	FD125	FDB485	FD204	FDB2080	FD352	FDB2200
FD063	FDB382	FD126	FDB2001	FD205	FDB2073	FD355	FDB2208
FD064	FDB335	FD127	FDB591	FD206	FDB2062	FD372	FDB2085
FD065	FRP405	FD129	FDB737	FD207	FDB2075	FD375	FDB2097
FD066	FDB389	FD131	FDB2050	FD207	FDB2098	FD376	FDB2097
FD067	FDB184	FD132	FDB782	FD209	FDB404	FD393	FDB2036
FD068	FRP408	FD133	FDB706	FD214	FDB2083	FD456	FDB2162
FD069	FDB386	FD134	FDB754	FD218	FDB2084		
FD070	FDB673	FD135	FDB828	FD219	FDB2079	LUCAS/TRW	Ferodo
FD071	FDB436	FD136	FDB636	FD219	FDB2114	MCB17	FDB155
FD072	FDB583	FD137	FDB736	FD220	FDB2074	MCB18	FDB88
FD073	FDB312	FD138	FDB2018	FD221	FDB2154	MCB19	FDB108
FD074	FDB438	FD140	FDB664	FD222	FDB2085	MCB35	FDB119
FD075	FDB314	FD141	FDB741	FD223	FDB2109	MCB501	FDB217
FD076	FDB381	FD142	FDB781	FD224	FDB2127	MCB503	FDB184
FD077	FDB247	FD143	FDB637	FD225	FDB2103	MCB508	FDB213
FD078	FDB389	FD144	FDB672	FD228	FDB2090	MCB511	FDB333
FD079	FDB475	FD145	FDB2087	FD232	FDB2081	MCB512	FDB244
FD080	FDB411	FD147	FDB783	FD234	FDB2095	MCB512	FDB665
FD081	FDB437	FD148	FDB533	FD235	FDB2097	MCB515	FDB299
FD082	FDB452	FD149	FDB625	FD245	FDB2105	MCB516	FDB298
FD083	FDB390	FD152	FDB784	FD246	FDB2036	MCB517	FDB731
FD084	FDB697	FD152	FDB2100	FD251	FDB2102	MCB518	FDB334
FD085	FDB498	FD153	FDB680	FD252	FDB384	MCB519	FDB313
FD086	FDB497	FD154	FDB865	FD254	FDB2110	MCB521	FDB277
FD087	FDB662	FD155	FDB2002	FD260	FDB2126	MCB522	FDB313
FD089	FDB499	FD156	FDB873	FD261	FDB2096	MCB523	FDB314
FD090	FDB481	FD157	FDB864	FD265	FDB2157	MCB524	FDB311
FD091	FDB494	FD160	FRP415	FD266	FDB570	MCB525	FDB312

BRAKE PADS X-REF

COMPETITORS - OE TO FERODO

LUCAS/TRW	Ferodo	LUCAS/TRW	Ferodo	LUCAS/TRW	Ferodo	LUCAS/TRW	Ferodo
MCB527	FDB335	MCB595	FDB557	MCB681	FDB2049	MCB746	FDB2132
MCB531	FDB338	MCB597	FDB606	MCB682	FDB2048	MCB747	FDB2145
MCB532	FDB339	MCB598	FDB570	MCB683	FDB2099	MCB748	FDB2125
MCB533	FDB204	MCB599	FDB664	MCB684	FDB2190	MCB749	FDB2146
MCB534	FDB382	MCB602	FDB574	MCB685	FDB2119	MCB75	FDB207
MCB535	FRP405	MCB611	FDB605	MCB686	FDB2101	MCB750	FDB2183
MCB536	FDB205	MCB612	FDB607	MCB688	FDB2037	MCB751	FDB2173
MCB539	FDB383	MCB614	FDB2017	MCB691	FDB2111	MCB752	FDB2178
MCB539	FDB475	MCB615	FDB631	MCB692	FDB2073	MCB753	FDB2179
MCB54	FDB182	MCB617	FDB736	MCB693	FDB2075	MCB754	FDB2180
MCB540	FRP408	MCB618	FDB529	MCB694	FDB2191	MCB755	FDB2181
MCB541	FDB386	MCB619	FDB2055	MCB695	FDB2057	MCB756	FDB2193
MCB542	FDB389	MCB622	FDB666	MCB696	FDB680	MCB757	FDB2188
MCB543	FDB310	MCB623	FRP416	MCB697	FDB2080	MCB758	FDB2080
MCB544	FDB538	MCB624	FDB663	MCB698	FDB2099	MCB759	FDB2169
MCB547	FDB390	MCB625	FDB659	MCB699	FDB2083	MCB760	FDB2184
MCB548	FDB352	MCB626	FDB2016	MCB70	FDB150	MCB761	FDB2055
MCB55	FDB183	MCB627	FDB737	MCB700	FDB2074	MCB762	FDB2121
MCB550	FDB404	MCB629	FDB706	MCB701	FDB2062	MCB763	FDB2175
MCB551	FDB673	MCB63	FDB134	MCB702	FDB2084	MCB764	FDB570
MCB552	FDB694	MCB631	FDB2225	MCB703	FDB2114	MCB765	FDB384
MCB554	FDB661	MCB633	FRP415	MCB704	FDB2098	MCB766	FDB2109
MCB555	FDB314	MCB634	FDB754	MCB706	FDB2085	MCB767	FDB2127
MCB556	FDB437	MCB635	FDB847	MCB707	FDB2039	MCB769	FDB2182
MCB557	FDB438	MCB640	FDB781	MCB708	FDB2081	MCB770	FDB2103
MCB558	FDB2015	MCB642	FDB637	MCB709	FDB2095	MCB771	FDB2186
MCB559	FDB449	MCB643	FDB741	MCB710	FDB2090	MCB772	FDB2133
MCB560	FDB2013	MCB644	FDB889	MCB711	FDB2097	MCB774	FDB2224
MCB561	FDB381	MCB646	FDB2194	MCB712	FDB2096	MCB776	FDB2196
MCB562	FDB462	MCB647	FDB625	MCB713	FDB2102	MCB779	FDB2108
MCB563	FDB592	MCB648	FDB2018	MCB714	FDB2110	MCB780	FDB2201
MCB564	FDB436	MCB650	FDB783	MCB715	FDB2123	MCB781	FDB2210
MCB567	FDB2014	MCB651	FDB784	MCB719	FDB2129	MCB782	FDB2207
MCB568	FDB583	MCB652	FDB782	MCB72	FDB178	MCB784	FDB2221
MCB569	FDB481	MCB653	FDB2040	MCB721	FDB2120	MCB785	FDB2221
MCB571	FDB452	MCB655	FDB865	MCB722	FDB2126	MCB786	FDB2208
MCB572	FDB498	MCB656	FDB864	MCB723	FDB2149	MCB789 (For ST)	FDB2220
MCB573	FDB494	MCB657	FDB828	MCB724	FDB2148	MCB79	FDB132
MCB574	FDB495	MCB658	FDB2002	MCB725	FDB2150	MCB790	FDB2166
MCB575	FDB539	MCB659	FDB873	MCB726	FDB2105	MCB791	FDB2219
MCB576	FDB696	MCB660	FDB2036	MCB727	FDB2115	MCB792	FDB2260
MCB577	FDB695	MCB662	FDB2012	MCB729	FDB2111	MCB793	FDB2245
MCB578	FDB697	MCB663	FDB2087	MCB73	FDB151	MCB794	FDB2244
MCB579	FDB499	MCB664	FDB677	MCB731	FDB2156	MCB795	FDB2217
MCB582	FDB497	MCB665	FDB672	MCB732	FDB2141	MCB796	FDB2147
MCB583	FDB2001	MCB666	FDB2003	MCB733	FDB2140	MCB797	FDB2198
MCB584	FDB662	MCB668	FDB2054	MCB734	FDB677	MCB800	FDB2226
MCB585	FDB531	MCB669	FDB892	MCB735	FDB2128	MCB801	FDB2231
MCB586	FDB508	MCB671	FDB2006	MCB736	FDB2124	MCB802	FDB2230
MCB587	FDB591	MCB672	FDB2005	MCB737	FDB2158	MCB803	FDB2233
MCB589	FDB2192	MCB673	FDB2060	MCB739	FDB2162	MCB804	FDB2232
MCB59	FDB218	MCB677	FDB664	MCB740	FDB2157	MCB806	FDB2212
MCB590	FDB636	MCB678	FDB2058	MCB741	FDB2163	MCB810	FDB2240
MCB591	FDB569	MCB679	FDB2133	MCB742	FDB2164	MCB812	FDB2238
MCB593	FDB533	MCB68	FDB177	MCB743	FDB2165	MCB813	FDB2250
MCB594	FDB495	MCB680	FDB2050	MCB744	FDB2142	MCB814	FDB2251

BRAKE PADS X-REF

COMPETITORS - OE TO FERODO

LUCAS/TRW	Ferodo	NEWFREN	Ferodo	NEWFREN	Ferodo	NEWFREN	Ferodo
MCB815	FDB2228	.FD.0069	FDB696	.FD.0150	FDB2001	.FD.0237	FDB2050
MCB816	FDB2252	.FD.0071	FDB731	.FD.0151	FDB185	.FD.0238	FDB2060
MCB817	FDB2253	.FD.0072	FDB339	.FD.0153	FDB333	.FD.0246	FDB2036
MCB819	FDB2079	.FD.0073	FDB314	.FD.0154	FDB334	.FD.0247	FDB2056
MCB820	FDB2206	.FD.0074	FDB436	.FD.0155	FDB335	.FD.0249	FDB2057
MCB821	FDB2254	.FD.0075	FDB312	.FD.0157	FDB352	.FD.0251	FDB2062
MCB822	FDB312	.FD.0077	FDB384	.FD.0158	FDB529	.FD.0253	FDB2073
MCB823	FDB2195	.FD.0078	FDB381	.FD.0162	FDB706	.FD.0254	FDB2098
MCB828	FDB2259	.FD.0080	FDB250	.FD.0163	FDB631	.FD.0255	FDB2075
MCB829	FDB2255	.FD.0082	FDB386	.FD.0164	FDB607	.FD.0256	FDB2074
MCB830	FDB2248	.FD.0083	FDB389	.FD.0165	FDB828	.FD.0257	FDB2087
MCB831	FDB2257	.FD.0084	FDB665	.FD.0167	FDB737	.FD.0258	FDB2114
MCB833	FDB2256	.FD.0085	FDB313	.FD.0169	FDB736	.FD.0259	FDB2083
MCB834	FDB2266	.FD.0089	FDB411	.FD.0171	FDB782	.FD.0261	FDB2084
MCB840	FDB2075	.FD.0090	FDB475	.FD.0172	FDB754	.FD.0262	FDB2080
MCB841	FDB2258	.FD.0091	FDB438	.FD.0173	FDB625	.FD.0263	FDB2081
MCB842	FDB2262	.FD.0092	FDB404	.FD.0175	FDB636	.FD.0264	FDB2085
MCB845	FDB570	.FD.0095	FDB673	.FD.0176	FDB637	.FD.0265	FDB2086
MCB847	FDB2216	.FD.0096	FDB592	.FD.0177	FDB662	.FD.0266	FDB2100
MCB94	FDB181	.FD.0097	FDB583	.FD.0178	FDB783	.FD.0267	FDB2090
MCB97	FDB185	.FD.0098	FDB697	.FD.0183	FDB781	.FD.0268	FDB2103
MCB99	FDB342	.FD.0099	FDB698	.FD.0185	FDB741	.FD.0269	FDB2096
		.FD.0100	FDB437	.FD.0186	FDB2018	.FD.0270	FDB847
		.FD.0102	FDB2015	.FD.0188	FDB452	.FD.0271	FDB2095
NEWFREN	Ferodo	.FD.0103	FDB624	.FD.0189	FDB148	.FD.0272	FDB2111
.FD.0005	FDB119	.FD.0104	FDB449	.FD.0190	FDB605	.FD.0273	FDB2099
.FD.0008	FDB342	.FD.0105	FDB663	.FD.0191	FDB666	.FD.0274	FDB2136
.FD.0012	FDB207	.FD.0106	FDB462	.FD.0192	FDB672	.FD.0277	FDB2102
.FD.0013	FDB108	.FD.0108	FDB481	.FD.0193	FDB892	.FD.0278	FDB2014
.FD.0014	FDB132	.FD.0110	FDB2013	.FD.0194	FDB784	.FD.0279	FDB2054
.FD.0016	FDB182	.FD.0113	FDB499	.FD.0195	FDB677	.FD.0280	FDB2055
.FD.0017	FDB177	.FD.0114	FDB539	.FD.0196	FDB680	.FD.0281	FDB677
.FD.0022	FDB151	.FD.0115	FDB498	.FD.0197	FDB889	.FD.0282	FDB2105
.FD.0025	FDB134	.FD.0116	FDB494	.FD.0198	FDB858	.FD.0290	FDB2097
.FD.0028	FDB205	.FD.0119	FDB390	.FD.0199	FDB873	.FD.0292	FDB2109
.FD.0031	FDB213	.FD.0120	FDB495	.FD.0200	FDB865	.FD.0293	FDB2108
.FD.0035	FDB150	.FD.0122	FDB497	.FD.0201	FDB864	.FD.0294	FDB2121
.FD.0036	FDB155	.FD.0123	FDB661	.FD.0203	FDB2002	.FD.0295	FDB2110
.FD.0038	FDB178	.FD.0124	FDB383	.FD.0204	FDB887	.FD.0296	FDB2129
.FD.0044	FDB204	.FD.0129	FDB557	.FD.0205	FDB2003	.FD.0297	FDB2040
.FD.0045	FDB183	.FD.0130	FDB664	.FD.0206	FDB2005	.FD.0298	FDB2115
.FD.0046	FDB218	.FD.0131	FDB533	.FD.0207	FDB2012	.FD.0299	FDB2041
.FD.0047	FDB217	.FD.0132	FDB570	.FD.0213	FDB2007	.FD.0300	FDB2079
.FD.0048	FDB694	.FD.0134	FDB338	.FD.0215	FDB2008	.FD.0301	FDB2148
.FD.0049	FDB695	.FD.0135	FDB591	.FD.0216	FDB2006	.FD.0304	FDB2119
.FD.0051	FDB277	.FD.0136	FDB531	.FD.0217	FDB2058	.FD.0305	FDB2120
.FD.0052	FDB299	.FD.0138	FDB508	.FD.0219	FDB2190	.FD.0309	FDB2175
.FD.0053	FDB298	.FD.0139	FDB2192	.FD.0221	FDB2042	.FD.0316	FDB2126
.FD.0054	FDB244	.FD.0140	FDB606	.FD.0222	FDB2133	.FD.0317	FDB2177
.FD.0055	FDB220	.FD.0141	FDB496	.FD.0223	FDB2191	.FD.0318	FDB2149
.FD.0058	FDB538	.FD.0142	FDB2107	.FD.0224	FDB2101	.FD.0319	FDB2124
.FD.0062	FDB311	.FD.0143	FDB574	.FD.0225	FDB2037	.FD.0320	FDB2125
.FD.0063	FDB310	.FD.0144	FDB659	.FD.0227	FDB2049	.FD.0323	FDB2128
.FD.0065	FDB184	.FD.0145	FDB2016	.FD.0228	FDB2048	.FD.0324	FDB2130
.FD.0066	FDB247	.FD.0147	FDB569	.FD.0229	FDB2039	.FD.0326	FDB2132
.FD.0067	FDB382	.FD.0149	FDB485	.FD.0234	FDB2034	.FD.0327	FDB2141
.FD.0068	FDB337						

BRAKE PADS X-REF

COMPETITORS - OE TO FERODO

NEWFREN	Ferodo	NEWFREN	Ferodo	SBS	Ferodo	SBS	Ferodo
.FD.0328	FDB2140	.FD.0404	FDB2216	174	FDB2132	556	FDB338
.FD.0329	FDB2139	.FD.0405	FDB2210	178	FDB2108	557	FDB339
.FD.0330	FDB2142	.FD.0406	FDB2225	185	FDB2200	558	FDB382
.FD.0331	FDB2143	.FD.0407	FDB2217	192	FDB2196	559	FRP405
.FD.0334	FDB2147	.FD.0408	FDB2203	193	FDB2212	559	FDB2107
.FD.0335	FDB2146	.FD.0409	FDB2204	194	fdb2208	560	FDB205
.FD.0336	FDB2154	.FD.0410	FDB2205	195	FDB2226	562	FDB381
.FD.0339	FDB2123	.FD.0411	FDB2219	195	FDB2254	566	FRP408
.FD.0340	FDB2122	.FD.0412	FDB2221	197	FDB497	570	FDB386
.FD.0341	FDB2150	.FD.0413	FDB2215	198	FDB605	571	FDB310
.FD.0343	FDB2153	.FD.0414	FDB2224	201	FDB2226	572	FDB538
.FD.0344	FDB2145	.FD.0415	FDB2260	201	FDB2254	574	FDB624
.FD.0345	FDB2156	.FD.0416	FDB2202	204	FDB2248	574	FDB694
.FD.0346	FDB2176	.FD.0417	FDB2226	205	FDB2256	575	FDB383
.FD.0348	FDB2165	.FD.0419 (For ST)	FDB2220	208	FDB2264	575	FDB475
.FD.0349	FDB2162	.FD.0427	FDB2231	501	FDB119	576	FDB2014
.FD.0351	FDB2158	.FD.0428	FDB2232	505	FDB88	577	FDB389
.FD.0352	FDB2164	.FD.0428	FDB2233	506	FDB108	578	FDB390
.FD.0354	FDB2157	.FD.0429	FDB2230	506	FDB148	579	FDB352
.FD.0355	FDB2169	.FD.0430	FDB2231	507	FDB177	580	FDB411
.FD.0356	FDB2173	.FD.0430	FDB2232	508	FDB182	581	FDB404
.FD.0361	FDB2144	.FD.0436	FDB2251	509	FDB134	582	FDB673
.FD.0362	FDB2178	.FD.0437	FDB2238	510	FDB132	583	FDB207
.FD.0363	FDB2244	.FD.0438	FDB2240	511	FDB150	584	FDB661
.FD.0364	FDB2181	.FD.0442	FDB2214	512	FDB151	585	FDB384
.FD.0365	FDB2186	.FD.0443	FDB2250	513	FDB185	586	FDB314
.FD.0366	FDB2170	.FD.0444	FDB2242	514	FDB181	587	FDB437
.FD.0367	FDB2171	.FD.0445	FDB2254	515	FDB178	588	FDB438
.FD.0368	FDB2168	.FD.0446	FDB2253	517	FDB182	589	FDB2015
.FD.0369	FDB2167	.FD.0448	FDB2243	519	FDB207	590	FDB449
.FD.0370	FDB2166	.FD.0467	FDB2256	520	FDB155	591	FDB2013
.FD.0371	FDB2163	.FD.0494	FDB2268	523	FDB342	592	FDB381
.FD.0372	FDB2183	.FD.0496	FDB2267	526	FDB183	593	FDB462
.FD.0373	FDB2187	.FD.0500	FDB2281	528	FDB184	593	FDB2113
.FD.0374	FDB2188	.FD.0515	FDB2280	530	FDB220	594	FDB592
.FD.0376	FDB2182	FD.0460	FDB2248	532	FDB213	595	FDB436
.FD.0378	FDB2200			533	FDB218	596	FDB583
.FD.0379	FDB2185	SBS	Ferodo	534	FDB217	597	FDB481
.FD.0380	FDB2201	101	FDB313	536	FDB250	600	FDB452
.FD.0381	FDB2189	108	FDB438	537	FDB333	601	FDB498
.FD.0383	FDB2184	119	FDB2087	539	FDB299	602	FDB494
.FD.0385	FDB2196	124	FDB2060	540	FDB298	603	FDB495
.FD.0386	FDB2180	134	FDB631	541	FDB731	604	FDB539
.FD.0387	FDB2179	140	Fdb2190	542	FDB244	605	FDB696
.FD.0388	FDB2193	142	FDB2056	542	FDB665	606	FDB695
.FD.0389	FDB2202	142	FDB2057	543	FDB334	607	FDB697
.FD.0391	FDB2198	143	FDB680	544	FDB313	608	FDB499
.FD.0394	FDB2207	146	FDB2085	545	FDB247	609	FDB485
.FD.0395	FDB2194	147	FDB2075	546	FDB314	611	FDB497
.FD.0396	FDB2208	149	FDB2081	547	FDB277	613	FDB662
.FD.0397	FDB2195	154	FDB2096	549	FDB335	614	FDB531
.FD.0398	FDB2206	155	FDB2083	550	FDB311	615	FDB508
.FD.0399	FDB2197	157	FDB2074	551	FDB312	616	FDB591
.FD.0401	FDB2212	163	FDB497	552	FDB310	618	FDB2192
.FD.0402	FDB2213	171	FDB2141	554	FDB204	619	FDB636
.FD.0403	FDB2209	174	FDB2086	555	FDB337	620	FDB569

BRAKE PADS X-REF

COMPETITORS - OE TO FERODO

SBS	Ferodo	SBS	Ferodo	SBS	Ferodo	SBS	Ferodo
622	FDB533	689	FDB677	762	FDB2120	826	FDB2097
623	FDB495	690	FDB672	763	FDB2198	828	FDB2196
624	FDB557	691	FDB2003	765	FDB2111	830	FDB2210
626	FDB606	692	FDB314	767	FDB2149	834	FDB2221
627	FDB570	694	FDB892	769	FDB2156	838	FDB2220
627	FDB2187	695	FDB2007	770	FDB2150	839	FDB2217
627	FDB2225	697	FDB680	771	FDB680	840	FDB2219
630	FDB664	700	FDB570	772	FDB2115	841	FDB2218
631	FDB574	700	FDB664	773	FDB2128	841	FDB2260
632	FDB659	701	FDB2058	774	FDB677	842	FDB2245
633	FDB631	702	FDB2133	775	FDB2141	843	FDB2244
634	FDB605	703	FDB2050	776	FDB2140	844	FDB2216
635	FDB607	704	FDB2049	777	FDB2139	845	FDB2228
637	FDB2017	705	FDB2048	778	FDB2124	846	FDB2202
638	FDB631	706	FDB2042	780	FDB2147	847	FDB2226
638	FDB2087	707	FDB2167	781	FDB2119	847	FDB2254
639	FDB605	708	FDB2190	781	FDB2132	849	FDB2230
640	FDB736	710	FDB2101	782	FDB2158	850	FDB2231
641	FDB529	711	FDB2123	783	FDB2157	851	FDB2232
642	FDB2055	712	FDB2037	784	FDB2143	852	FDB2233
644	FDB2050	713	FDB497	786	FDB2142	853	FDB2250
645	FDB666	714	FDB557	787	FDB2176	854	FDB2251
646	FRP416	715	FDB2111	788	FDB2164	856	FDB2240
647	FDB663	716	FDB2055	788	FDB2203	858	FDB2238
648	FDB659	717	FDB2054	789	FDB2163	859	FDB2242
649	FDB2016	721	FDB2073	790	FDB2162	860	FDB2079
650	FDB737	722	FDB2075	791	FDB2165	861	FDB2206
652	FDB706	723	FDB2191	792	FDB2108	862	FDB2253
654	FDB570	725	FDB680	793	FDB2146	864	FDB2252
657	FDB754	726	FDB2080	794	FDB2183	869	FDB2259
658	FDB847	727	FDB2099	795	FDB2145	870	FDB2255
659	FDB2194	728	FDB2083	796	FDB2125	872	FDB2257
661	FRP410	729	FDB2036	797	FDB2169	877	FDB2266
662	FDB2041	730	FDB2074	798	FDB2080	881	FDB2258
663	FDB781	731	FDB2062	799	FDB2193	885	FDB2262
665	FDB637	732	FDB2171	800	FDB2236	889	FDB2278
666	FDB741	733	FDB2084	801	FDB2188	892	FDB2281
667	FDB889	734	FDB2114	802	FDB2109	901	FDB2218
669	FDB2001	735	FDB2098	803	FDB2127	901	FDB2260
670	FDB625	736	FDB2098	804	FDB2173		
671	FDB2018	740	FDB2085	805	FDB2166	TRW	Ferodo
673	FDB783	742	FDB2039	806	FDB2178	MCB848	FDB2281
674	FDB2006	745	FDB2129	806	FDB2204		
675	FDB2005	746	FDB2102	807	FDB2179	VESRAH	Ferodo
676	FDB2036	747	FDB2090	808	FDB2180	VD 102	FDB119
678	FDB2040	748	FDB2095	809	FDB2181	VD 106	FDB119
680	FDB784	749	FDB2096	809	FDB2205	VD 108	FDB134
680	FDB2100	750	FDB2097	810	FDB2184	VD 112	FDB182
681	FDB782	752	FDB2110	812	FDB2200	VD 116	FDB134
682	FDB865	753	FDB754	813	FDB2182	VD 117	FDB183
683	FDB864	753	FDB2130	814	FDB312	VD 120	FDB250
684	FDB828	754	FDB2148	815	FDB2103	VD 123	FDB244
685	FDB2002	755	FDB2121	818	FDB2186	VD 123	FDB665
686	FDB873	757	FDB2177	820	FDB2197	VD 123/2	FDB538
686	FDB2144	758	FDB2175	821	FDB2201	VD 127	FDB661
687	FDB2012	761	FDB2105	823	FDB2224	VD 128	FDB381

BRAKE PADS X-REF

COMPETITORS - OE TO FERODO

VESRAH	Ferodo	VESRAH	Ferodo	VESRAH	Ferodo	VESRAH	Ferodo
VD 129 /129/2	FDB310	VD 248	FDB605	VD 405	FDB181	VD 925	FDB2107
VD 131	FDB312	VD 249	FDB605	VD 408	FDB132	VD 928	FDB205
VD 132	FDB665	VD 250	FDB631	VD 409	FDB132	VD 929	FDB529
VD 134	FDB2086	VD 250/2	FDB2087	VD 411	FDB132	VD 930	FDB696
VD 134 /134/2	FDB382	VD 251	FDB666	VD 412	FDB181	VD 932	FDB436
VD 136	FDB2086	VD 252	FDB737	VD 416	FDB338	VD 933	FDB204
VD 139	FDB495	VD 254	FRP405	VD 420	FDB298	VD 934	FDB736
VD 139/2	FDB496	VD 254	FDB2107	VD 420	FDB299	VD 937	FDB624
VD 141	FDB462	VD 255	FDB781	VD 421	FDB298	VD 937	FDB697
VD 142	FDB2113	VD 256	FDB889	VD 421	FDB299	VD 940	FDB2055
VD 143	FDB452	VD 257	FDB637	VD 423	FDB220	VD 941	FDB2050
VD 143/2	FDB663	VD 257	FDB662	VD 425	FDB314	VD 942	FDB499
VD 144	FDB539	VD 258	FDB864	VD 425	FDB828	VD 943	FDB498
VD 144	FDB783	VD 259	FDB865	VD 426	FDB339	VD 945	FRP408
VD 144/2	FDB672	VD 260	FDB2003	VD 427	FDB481	VD 946	FRP405
VD 147	FDB531	VD 261	FDB2017	VD 428	FDB494	VD 947	FDB2018
VD 150	FDB2192	VD 262	FDB2042	VD 430	FDB508	VD 947	FDB2039
VD 152	FDB438	VD 262/2	FDB2099	VD 432 /432/2	FDB659	VD 948	FDB680
VD 152	FDB2060	VD 263	FDB2083	VD 433	FDB741	VD 949	FDB784
VD 152	FDB2146	VD 264	FDB2084	VD 434	FDB2012	VD 949	FDB2100
VD 154	FDB533	VD 266	FDB2148	VD 435	FDB2049	VD 950	FDB2054
VD 156	FDB570	VD 268	FDB2150	VD 436	FDB2111	VD 953	FDB2005
VD 156	FDB2187	VD 269	FDB2126	VD 437	FDB2036	VD 955	FDB2037
VD 156	FDB2225	VD 269/2	FDB2156	VD 438	FDB2080	VD 956	FDB485
VD 156/2	FDB664	VD 270	FDB2193	VD 439	FDB2124	VD 957	FDB2001
VD 161	FDB892	VD 271	FDB2162	VD 440	FDB2110	VD 958	FDB2006
VD 162	FDB625	VD 305	FDB150	VD 441	FDB2188	VD 959	FDB2050
VD 163	FDB754	VD 306	FDB151	VD 443	FDB2158	VD 963	FDB2121
VD 164	FDB2002	VD 320	FDB178	VD 9003	FDB2127	VD 965	FDB2175
VD 165	FDB2075	VD 324	FDB217	VD 9009JL	FDB2179	VD 973	FDB2177
VD 165/2	FDB2073	VD 327	FDB338	VD 9010	FDB2180	VD 991	FDB2183
VD 165/2	FDB2098	VD 328	FDB390	VD 9017	FDB2105	VD 992	FDB2176
VD 166	FDB2114	VD 329 /329/2	FDB673	VD 9022	FDB2202	VD 993	FDB2145
VD 166/2	FDB2079	VD 329 /392/2	FDB404	VD 9024	FDB2236	VD 996	FDB2191
VD 168	FDB2139	VD 331	FDB389	VD 9031	FDB2260	VD 998	FDB2198
VD 169	FDB2130	VD 332	FDB2013	VD 9034	FDB2250		
VD 170	FDB2181	VD 335	FDB437	VD 9035	FDB2251	OEM Aprilia	Ferodo
VD 171	FDB2182	VD 340 /340/2	FDB497	VD 904	FDB88	00H04704141	FDB2074
VD 173	FDB2212	VD 341	FDB2016	VD 906	FRP213	811 3533	FDB2006
VD 174	FDB2221	VD 342	FDB313	VD 906	FDB342	8113064	FDB680
VD 205	FDB177	VD 343	FDB557	VD 907	FDB108	8113375	FDB828
VD 215	FDB184	VD 344	FDB574	VD 907	FDB148	8113456	FDB782
VD 216	FDB247	VD 345/2	FDB569	VD 908	FDB333	8113478	FDB706
VD 228	FDB277	VD 346	FDB384	VD 909	FDB334	8113489	FDB2006
VD 234	FDB2014	VD 347	FDB606	VD 910	FDB155	8113538	FDB2005
VD 235	FDB311	VD 348	FDB607	VD 911	FDB207	8113593	FDB2018
VD 236	FDB337	VD 349	FDB873	VD 911/2	FRP416	8113595	FDB828
VD 239	FDB383	VD 349	FDB2144	VD 911/4	FDB2081	8113627	FDB2006
VD 239	FDB475	VD 350	FDB2058	VD 912	FDB213	8113627	FDB2006
VD 240	FDB386	VD 351	FDB2133	VD 912	FDB218	8113638	FDB498
VD 241	FDB411	VD 352	FDB2048	VD 915	FDB185	8113638	FDB680
VD 242	FDB449	VD 353	FDB2085	VD 918	FDB335	8113644	FDB680
VD 244	FDB2015	VD 354	FDB2164	VD 919	FDB352	8113651	FDB207
VD 245	FDB583	VD 355	FDB2178	VD 920	FDB624	8113662	FDB2081
VD 246	FDB591	VD 359	FDB2213	VD 920	FDB694	8113663	FDB680
VD 247	FDB636	VD 404	FDB132	VD 924	FDB592	8113678	FDB680

BRAKE PADS X-REF

COMPETITORS - OE TO FERODO

OEM Aprilia	Ferodo	OEM BMW	Ferodo	OEM Cagiva	Ferodo	OEM Harley	Ferodo
8113720	FDB2042	34 11 1 458 388	FDB108	8000 95542	FDB2042	42850 06	FDB2210
8113751	FDB2074	34 11 2 301 358	FDB155	8000 A6416	FDB2120	42850 06A	FDB2210
8113754	FDB2042	34 11 2 301 360	FDB108	8000 A7417	FDB2120	42850 06B	FDB2210
8113865	FDB438	34 11 2 314 512	FDB2050	8000 B1593	FDB2042	42897 06	FDB2210
8113869	FDB2090	34 11 2 314 545	FDB204			42897 08	FDB2210
8113898	FDB2074	34 11 2 314 546	FDB736	OEM Derbi	Ferodo	43395 80	FDB334
8113972	FDB2120	34 11 2 331 173	FDB2050	00D01 210221	FDB2107	43957 86B	FDB485
8113988	FDB2006	34 11 2 333 045	FDB2050	00H04703141	FDB677	43957 86D	FDB485
8133516	FDB2039	34 11 231 4996	FDB2050	864342	FDB2242	43957 86E	FDB485
8133539	FDB2090	34 11 7 651 958	FDB2006	865527	FDB2242	440 63 83C	FDB352
8133592	FDB2120	34 11 7 655 687	FDB2050			44005 78	FDB185
8133603	FDB2105	34 11 7 655 898	FDB2124	OEM Ducati	Ferodo	44032 79	FDB333
8133614	FDB2042	34 11 7 658 386	FDB2124	0370 39760	FDB108	44063 83A	FDB352
8133725	FDB2146	34 11 7 660 448	FDB2125	0377 39766	FDB108	44063 83B	FDB352
8133726	FDB2090	34 11 7 671 780	FDB2125	0820 39666	FDB108	4406383	FDB352
8133761	FDB438	34 11 7 683 064	FDB2125	613400201A	FDB2042	44082 00	FDB2097
8133761	FDB2105	34 11 7 690 169	FDB2124	61340071A	FDB207	44082 00C	FDB2202
8133798	FDB2060	34 11 7 690 170	FDB2124	61340081A	FDB207	44082-08	FDB2250
8133815	FDB2105	34 11 7 690 259	FDB2125	61340201A	FDB2042	44209 82	FDB335
8133845	FDB2090	34 11 7 696 593	FDB2006	61340211A	FDB2074	44209 87B	FDB2001
8133886	FDB2120	34 11 7 697 086	FDB2006	61340211B	FDB2042	44209 87C	FDB2001
8133920	FDB2074	34 11 7 705 216	FDB2006	61340281A	FDB207	44213 87	FDB2001
8133943	FDB2216	34 11 7 710 743	FDB2218	61340301A	FDB2120	46363-11	FDB2250
8133946	FDB2090	34 11 7 717 309	FDB2018	61340311A	FDB207	46721-06	FDB2202
8213192	FDB680	34 21 2 314 997AE	FDB2039	61340381A	FDB2074		
8213197	FDB207	34 21 2 330 633	FDB2039	61340411A	FDB2042	OEM Honda	Ferodo
8213197	FDB680	34 21 2 332 988	FDB2039	61340541A	FDB207	06435 MZ0 006	FDB664
8213245	FDB680	34 21 2 333 337	FDB2102	61340611A	FDB2042	06435 MZ0 760	FDB664
8213318	FDB680	34 21 2 335 465	FDB2039	61340721A	FDB2018	06435 GCM 902	FDB2101
8213460	FDB2095	34 21 2 345 449	FDB2005	61340731A	FDB2074	06435 HN8 006	FDB2182
8213460	FDB2095	34 21 7 657 025	FDB108	61340751A	FDB2006	06435 HN8 016	FDB2182
8213462	FDB2095	34 21 7 657 492	FDB2102	61340761A	FDB2005	06435 KCZ 000	FDB539
8213506	FDB2090	34 21 7 660 281	FDB2039	61340791A	FDB2218	06435 KCZ 010	FDB539
8213571	FDB680	34 21 7 664 983	FDB2005	61370721A	FDB2006	06435 KFK 006	FDB754
8213577	FDB2090	34 21 7 671 881	FDB2039			06435 KFK 016	FDB754
854972	FDB2245	34 21 7 680 375	FDB2102	OEM Gilera	Ferodo	06435 KPB 016	FDB2130
858200	FDB2005	34 21 7 690 262	FDB108	494097	FDB2057	06435 KPB 026	FDB2130
9100788	FDB892	34 21 7 717 324	FDB2165	497396	FDB2018	06435 KPC 641	FDB2143
9100797	FDB2162	34 21 7 724 609	FDB2006	498408	FDB680	06435 KPC 642	FDB2143
		34 21 8 534 821	FDB2006	647074	FDB2018	06435 KPP 901	FDB2143
		341 12345 445	FDB2006	647078	FDB2142	06435 KPP 902	FDB2143
OEM Benelli	Ferodo			647170	FDB2057	06435 KRJ 791	FDB2212
R180263110000	FDB2120	OEM Buell	Ferodo	647171	FDB680	06435 KRN 712	FDB2139
R180400126000	FDB2120	H0300 1AMA	FDB2240	647172	FDB680	06435 KT7 405	FDB531
R300000126000	FDB2042	H0300-02A8	FDB2145			06435 KT7 415	FDB531
R310000127000	FDB2074			OEM Harley	Ferodo	06435 KTW 901	FDB2212
R43420091A0	FDB680	OEM Cagiva	Ferodo	41300102	FDB2114	06435 KYJ 901	FDB2258
R44420041A0	FDB680	8000 45453	FDB592	41852 08	FDB2210	06435 KZ4 J41	FDB2139
R44422001A	FDB2074	8000 46147	FDB207	41854 08	FDB2210	06435 MAK 003	FDB2005
		8000 59214	FDB529	42029 07	FDB2180	06435 MAT 006	FDB2075
OEM Beta	Ferodo	8000 66785	FDB631	42298 08	FDB2251	06435 MAT 006	FDB2098
007360718000	FDB2267	8000 66796	FDB663	42739 08	FDB2079	06435 MAT 016	FDB2075
2525240000	FDB680	8000 67127	FDB784	42831 04	FDB2179	06435 MAT 016	FDB2098
2525370000	FDB680	8000 68794	FDB207	42831 04A	FDB2179	06435 MBL D00	FDB2098
		8000 88482	FDB663	42836 04	FDB2180	06435 MBL D01	FDB2098
OEM BMW	Ferodo	8000 95280	FDB2074	428490 6A	FDB2210	06435 MBL D02	FDB2098
34 11 1 454 720	FDB108						

BRAKE PADS X-REF

COMPETITORS - OE TO FERODO

OEM Honda	Ferodo	OEM Honda	Ferodo	OEM Honda	Ferodo	OEM Honda	Ferodo
06435 MCA 006	FDB2098	06455 MAW 621	FDB664	06455MFAD12	FDB2098	45105 MY6 415	FDB892
06435 MCC 006	FDB2073	06455 MAY 000	FDB892	06456 MCA 006	FDB2098	45105-KZ1-405	FDB892
06435 MCH 006	FDB2098	06455 MBB 006	FDB533	06456 MCA 006	FDB2098	45106 ML7 922	FDB570
06435 MEE 016	FDB754	06455 MBB 016	FDB533	06456 MCA 016	FDB2098	45112 GC4 601	FDB250
06435 MEJ 006	FDB2079	06455 MBG 006	FDB2098	06456 MCC 006	FDB2098		
06435 MEJ 016	FDB754	06455 MBK 751	FDB570	43105 KZ1 405	FDB539	OEm Honda	Ferodo
06435 MEJ 016	FDB2079	06455 MBK 752	FDB570	43105 KZ1 415	FDB539	6455-MGE-006	FDB2259
06435 MEL D21	FDB2221	06455 MBT 611	FDB2098	43105 MB6 018	FDB665		
06435 MEL D22	FDB2221	06455 MBT 612	FDB2098	43105 MJ4 007	FDB244	OEM Honda	Ferodo
06435 MET 651	FDB2196	06455 MBT D51	FDB2196	43105 MJ4 305	FDB244	K00979315	FDB2268
06435 MFA D11	FDB2196	06455 MBT D52	FDB2196	43105 MJ6 004	FDB244		
06435 MFA D12	FDB2196	06455 MBT D52	FDB2196	43105 MJ6 007	FDB244	OEM Kawasaki	Ferodo
06435 MFA D12	FDB2196	06455 MBW 006	FDB2079	43105 ML7 923	FDB664	43050 1064	FDB314
06435 MFG D01	FDB754	06455 MBW E11	FDB2079	43105 MR7 027	FDB496	43050 1288	FDB151
06435 MFG D02	FDB754	06455 MBW E12	FDB2079	43105 MT3 007	FDB2075	43050 5002	FDB181
06435 MFG D02	FDB754	06455 MCF 006	FDB2079	43105 MT8 008	FDB665	43082 0002	FDB2158
06435 MFN D01	FDB2253	06455 MCF 016	FDB2079	43105 MV9 008	FDB754	43082 0004	FDB2012
06435 MGS D31	FDB754	06455 MCK A01	FDB570	43105 MW0 405	FDB754	43082 0006	FDB2162
06435 MT8 405	FDB665	06455 MCK A02	FDB570	43105 MW0 415	FDB754	43082 0009	FDB2048
06435-KZZ-901	FDB2275	06455 MCS G01	FDB2196	43105 MW0 415	FDB754	43082 0010	FDB2049
06451 HPO A01	FDB2195	06455 MCS G02	FDB2196	43105 MY1 405	FDB531	43082 0014	FDB574
06455 GAV 405	FDB2060	06455 MCT 691	FDB2075	43105 MY7 405	FDB664	43082 0016	FDB574
06455 GBF J01	FDB250	06455 MCT 692	FDB2075	43106 ML7 923	FDB664	43082 0019	FDB574
06455 GBM 750	FDB680	06455 MCW H01	FDB2196	43106 MV9 008	FDB754	43082 0021	FDB2164
06455 GBY 910	FDB680	06455 MCW H02	FDB2196	43211 431 305	FDB134	43082 0025	FDB574
06455 GCS 006	FDB2119	06455 MCW H02	FDB2196	45105 390 305	FDB119	43082 0030	FDB574
06455 GCS 016	FDB2119	06455 MCZ 006	FDB533	45105 390 305	FDB182	43082 0031	FDB2164
06455 KBS W00	FDB2060	06455 MCZ 016	FDB533	45105 GBF 405	FDB250	43082 0043	FDB381
06455 KCZ 000	FDB892	06455 MEA 671	FDB570	45105 GC4 603	FDB250	43082 0048	FDB2162
06455 KEB 900	FDB631	06455 MEA 671	FDB2098	45105 HMA 000A	FDB2141	43082 0049	FDB892
06455 KEB 901	FDB631	06455 MEA 672	FDB570	45105 KA3 731	FDB382	43082 0050	FDB2048
06455 KFG 016	FDB2073	06455 MEA 672	FDB2098	45105 KBS 405	FDB2060	43082 0051	FDB2048
06455 KFG 631	FDB2073	06455 MEH 006	FDB2196	45105 KFA6 305	FDB2096	43082 0052	FDB2049
06455 KFG 641	FDB2075	06455 MEL D22	FDB2181	45105 KKC4 305	FDB2141	43082 0053	FDB2220
06455 KFG 642	FDB2075	06455 MR4 405	FDB570	45105 KL8 405	FDB538	43082 0055	FDB2111
06455 KPB 406	FDB2073	06455 MR4 415	FDB570	45105 KR3 014	FDB312	43082 0058	FDB2164
06455 KPB 416	FDB2073	06455 MS9 405	FDB570	45105 KT0 405	FDB892	43082 0060	FDB497
06455 KPP 901	FDB2169	06455 MT8 305	FDB663	45105 KW3 405	FDB495	43082 0061	FDB2048
06455 KPP 902	FDB2169	06455 MT8 405	FDB663	45105 KW3 681	FDB495	43082 0062	FDB2049
06455 KSV J04	FDB2196	06455 MV4 405	FDB570	45105 KZ1 405	FDB495	43082 0068	FDB2012
06455 KW6 843	FDB2087	06455 MW3 405	FDB570	45105 MA5 305	FDB183	43082 0071	FDB2220
06455 KW6 844	FDB2087	06455 MW3 415	FDB570	45105 MA6 004	FDB310	43082 0072	FDB2220
06455 MAA 405	FDB570	06455 MW4 405	FDB858	45105 MA6 007	FDB310	43082 0073	FDB754
06455 MAA 415	FDB570	06455 MY1 405	FDB892	45105 MC7 004	FDB244	43082 0077	FDB2148
06455 MAB 405	FDB664	06455 MY5 731	FDB2006	45105 MC7 024	FDB244	43082 0078	FDB2149
06455 MAH 405	FDB570	06455 MZ0 760	FDB570	45105 ML7 405	FDB570	43082 0079	FDB570
06455 MAK 000	FDB2006	06455 MZ1 405	FDB2002	45105 ML7 922	FDB570	43082 0081	FDB631
06455 MAK 003	FDB2006	06455 MZ2 405	FDB2002	45105 MM9 781	FDB244	43082 0090	FDB2162
06455 MAL G01	FDB570	06455-GFM-D31	FDB2256	45105 MR4 901	FDB570	43082 0091	FDB2178
06455 MAL G02	FDB570	06455-K20-911	FDB2256	45105 MS6 901	FDB452	43082 0095	FDB2087
06455 MAS 305	FDB533	06455-K29-D01	FDB2256	45105 MT8 008	FDB663	43082 0104	FDB2220
06455 MAS E01	FDB2079	06455-KWN-641	FDB2256	45105 MV1 008	FDB462	43082 0105	FDB2049
06455 MAT 006	FDB2073	06455-KWN-931	FDB2256	45105 MV1 405	FDB462	43082 1001	FDB132
06455 MAT 006	FDB2073	06455-KZL-861	FDB2256	45105 MW0 415	FDB533	43082 1002	FDB220
06455 MAT E21	FDB2098	06455-MV4-405	FDB570	45105 MW3 671	FDB570	43082 1005	FDB132
06455 MAT E22	FDB2098	06455-MZ2-415	FDB2002	45105 MY6 405	FDB892	43082 1007	FDB299

BRAKE PADS X-REF

COMPETITORS - OE TO FERODO

OEM Kawasaki	Ferodo	OEM Kawasaki	Ferodo	OEM KTM	Ferodo	OEM Moto Guzzi	Ferodo
43082 1008	FDB298	43082 1209	FDB314	50313090000	FDB2005	27654610	FDB207
43082 1025	FDB298	43082 1212	FDB250	54613209044	FDB2018	276546100	FDB207
43082 1030	FDB339	43082 1213	FDB2012	54613209244	FDB2018	30654625	FDB2018
43082 1062	FDB339	43082 1217	FDB2125	54613309200	FDB2005	30654626	FDB2006
43082 1065	FDB313	43082 1218	FDB892	54613309300	FDB2005	30654630	FDB531
43082 1066	FDB381	43082 1223	FDB2048	54813090000	FDB2165	31654665	FDB207
43082 1072	FDB494	43082 1224	FDB873	54813090100	FDB2165	31654681	FDB2074
43082 1080	FDB339	43082 1226	FDB2049	54813090200	FDB2165	31654681	FDB2074
43082 1082	FDB381	43082 1227	FDB873	54813090300	FDB2165	316546810	FDB2074
43082 1089	FDB497	43082 1228	FDB539	58413030000	FDB2018	326546100	FDB2042
43082 1090	FDB659	43082 1229	FDB313	58413130000	FDB2042	36139666	FDB207
43082 1096	FDB314	43082 1230	FDB873	58713030000	FDB2042	3654600	FDB2006
43082 1098	FDB338	43082 1232	FDB2049	59413030000	FDB2244	56546300	FDB2018
43082 1099	FDB497	43082 1234	FDB2048	5DSF581100	FDB2018	61654630	FDB108
43082 1103	FDB338	43082 1235	FDB2049	60013016000	FDB2018		
43082 1112	FDB741	43082 1237	FDB2049	60013030000	FDB2006	OEM MV Agusta	Ferodo
43082 1114	FDB481	43082 1238	FDB2087	61013019000	FDB2120	8000 82748	FDB2198
43082 1116	FDB314	43082 1241	FDB381	61013030000	FDB2120	8000 94024	FDB2036
43082 1117	FDB497	43082 1242	FDB2110	61013030100	FDB2120	8000 B1421	FDB2166
43082 1118	FDB659	43082 1247	FDB892	69013030000	FDB2218	8000 B1601	FDB2218
43082 1123	FDB481	43082 1248	FDB2049	69013090000	FDB2074		
43082 1125	FDB508	43082 1250	FDB873	75013090000	FDB2005	OEM MZ	Ferodo
43082 1130	FDB741	43082 1251	FDB873	77013020000	FDB2018	9021035000	FDB207
43082 1131	FDB659	43082 1252	FDB873	90113030000	FDB2266	9022001000	FDB782
43082 1134	FDB481	43082 1253	FDB873			9022031000	FDB828
43082 1137	FDB659	43082 1255	FDB2188	OEM Kymco	Ferodo		
43082 1139	FDB481	43082 1257	FDB338	143071	FDB2248	OEM Norton	Ferodo
43082 1142	FDB574	43082 1259	FDB873	156175	FDB2226	06 6005	FDB88
43082 1149	FDB892	43082 1260	FDB2049	43105 HMA0 00A	FDB2140		
43082 1151	FDB659	43082 1264	FDB2049	43105 KKC49 000	FDB2140	OEM Numbers	Ferodo
43082 1152	FDB892	43082 1266	FDB892	43105 LBA2 305	FDB2225	Refer to FDB2120	FDB2215
43082 1157	FDB2012	43082 1267	FDB539	43105 LDH1 E00	FDB2087	Refer to FDB2164	FDB2203
43082 1160	FDB2012	43082 1272	FDB873	43105 LDH1 E00	FDB2226	Refer to FDB2178	FDB2204
43082 1162	FDB574	43082 1274	FDB873	43105-LDH-E00	FDB2254	Refer to FDB2181	FDB2205
43082 1163	FDB314	43082 1286	FDB892	43150 LEA5 306	FDB2087		
43082 1163	FDB2013	43082 1290	FDB2158	45105 H7C 000A	FDB2096	OEM Piaggio	Ferodo
43082 1167	FDB339	43082 1292	FDB539	45105 KCE3 050M2	FDB2087	494628	FDB677
43082 1169	FDB574	43082 1293	FDB2164	45105 KECE 305	FDB2087	497002	FDB2115
43082 1171	FDB2012	K43082 0042	FDB2110	45105 LEJ2 305	FDB2096	497072	FDB2142
43082 1172	FDB892	K43082 1241	FDB381	45106 KKD6 E00	FDB497	497394	FDB2074
43082 1173	FDB539	K43082 1242	FDB2110	45150 LLB5 305	FDB2087	647073	FDB2057
43082 1177	FDB2048			45200 KHC4 900NJA	FDB2087	647076	FDB2074
43082 1178	FDB2049	OEM KTM	Ferodo	45200 KKD6 E90NJA	FDB2087	647077	FDB2074
43082 1179	FDB873	45113030000	FDB2183			647078	FDB2142
43082 1180	FDB338	46013090000	FDB694	OEM Malagutti	Ferodo	647157	FDB2057
43082 1181	FDB2036	46113030000	FDB2157	11933400	FDB436	647157	FDB2057
43082 1182	FDB338	47013030000	FDB2262	11943900	FDB680	647161	FDB2115
43082 1187	FDB2048			11950200	FDB680	647171	FDB2096
43082 1189	FDB481	OEM Ktm	Ferodo			647400	FDB2207
43082 1190	FDB2012	47013090300	FDB2257	OEM Moto Guzzi	Ferodo	651253	FDB2142
43082 1193	FDB892			1654630	FDB2042	666935	FDB2105
43082 1194	FDB339	OEM KTM	Ferodo	1654630	FDB2042	CM068308	FDB2142
43082 1196	FDB2080	50313030000	FDB2018	16546300	FDB2042	CM076101	FDB2057
43082 1199	FDB873	50313030100	FDB2005	18654660	FDB204	CM076701	FDB2057
43082 1200	FDB338	50313030200	FDB2018	19654600	FDB207	CM077902	FDB2018
43082 1205	FDB381	50313030300	FDB2018	19654601	FDB207	1494096	FDB2057

BRAKE PADS X-REF

COMPETITORS - OE TO FERODO

OEM Piaggio	Ferodo	OEM Suzuki	Ferodo	OEM Suzuki	Ferodo	OEM Suzuki	Ferodo
I494097	FDB2057	59300 03880	FDB2133	69100 05870	FDB338	69140 27C00	FDB659
I497417	FDB313	59300 09820	FDB680	69100 05890	FDB338	69140 27C10	FDB659
I498414	FDB784	59300 13830	FDB892	69100 06830	FDB754	69140 28C00	FDB659
I498846	FDB2037	59300 13860	FDB892	69100 07810	FDB2016	69600 14840	FDB2086
		59300 14870	FDB2085	69100 10820	FDB2163		
OEM Polaris	Ferodo	59300 14880	FDB2085	69100 10840	FDB2173	OEM Sym	Ferodo
2200456	FDB2054	59300 17811	FDB557	69100 12B10	FDB607	43105-HMA-000A	FDB2226
2201093	FDB2121	59300 21820	FDB570	69100 14840	FDB2086	43108 HMA 000A	FDB2140
2201685	FDB2177	59300 21840	FDB570	69100 14850	FDB2086	43108-HMA-000A	FDB2226
2201871	FDB2176	59300 21850	FDB570	69100 15820	FDB2213	43108H9A000A	FDB2096
2202412	FDB2055	59300 24830	FDB404	69100 15830	FDB2213	45100 A3B 000	FDB2192
		59300 24830	FDB673	69100 16851	FDB754	45100 A3B 600	FDB2192
OEM Suzuki	Ferodo	59300 26830	FDB497	69100 18810	FDB2111	45100 A7E 000	FDB2192
59100 03860	FDB2042	59300 27810	FDB497	69100 20810	FDB338	45105 G22 000AC	FDB2190
59100 05820	FDB631	59300 27830	FDB497	69100 21820	FDB338	45105 G229 00A	FDB2190
59100 05830	FDB497	59300 27850	FDB497	69100 22830	FDB508	45105 GM9 743A	FDB2192
59100 09860	FDB2149	59300 27860	FDB497	69100 31820	FDB631	45105 H3A 000A	FDB2108
59100 09870	FDB2148	59300 27870	FDB497	69100 31830	FDB2058	45105 H3A 900A	FDB2108
59100 10810	FDB389	59300 29820	FDB384	69100 32830	FDB659	45105 HKF 000A	FDB2190
59100 18850	FDB2164	59300 33860	FDB481	69100 34860	FDB338	45105 T6R 000A	FDB2190
59100 19820	FDB569	59300 33890	FDB873	69100 35810	FDB2162	45105 TFA 000A	FDB2101
59100 20820	FDB569	59300 34830	FDB574	69100 36820	FDB539		
59100 23830	FDB2158	59300 35810	FDB680	69100 36840	FDB539	OEM Triumph	Ferodo
59100 26810	FDB481	59300 36850	FDB892	69100 36850	FDB539	2020071T0301	FDB631
59100 26820	FDB404	59300 36860	FDB892	69100 36850	FDB2162	2020072T0301	FDB497
59100 29820	FDB2178	59300 36870	FDB892	69100 36860	FDB539	2020073T0301	FDB557
59100 29840	FDB2158	59300 36880	FDB892	69100 37830	FDB539	T2020077	FDB664
59100 29850	FDB2178	59300 36890	FDB892	69100 37840	FDB539	T2020211	FDB864
59100 31850	FDB2149	59300 38810	FDB218	69100 38820	FDB389	T2020245	FDB557
59100 31860	FDB2148	59300 46840	FDB873	69100 38840	FDB389	T2020537	FDB570
59100 33850	FDB2049	59300 47880	FDB178	69100 40820	FDB2111	T2020555	FDB631
59100 33870	FDB2049	59300 49850	FDB217	69100 40840	FDB2111	T2020560	FDB631
59100 33880	FDB2049	59301 03820	FDB2080	69100 43820	FDB659	T2020602	FDB531
59100 35830	FDB574	59301 33820	FDB2048	69100 43841	FDB659	T2020691	FDB2006
59100 35850	FDB574	59301 33830	FDB2048	69100 43851	FDB659	T2021221	FDB2252
59100 35880	FDB574	59301 33870	FDB873	69100 43860	FDB659		
59100 38820	FDB389	59301 33890	FDB873	69100 44860	FDB607	OEM TRIUMPH	Ferodo
59100 45B90	FDB569	59301 36810	FDB892	69100 47820	FDB2111	T2024901	FDB2005
59100 47890	FDB2178	59301 45860	FDB481	69101 03810	FDB2148		
59100 5880	FDB574	59302 33810	FDB2048	69101 05820	FDB338	OEM Yamaha	Ferodo
59101 03810	FDB2196	59302 33830	FDB2048	69101 05850	FDB338	11D F5811 00	FDB2018
59101 03820	FDB2196	59302 33880	FDB2048	69101 44810	FDB2213	1B7 W0045 00	FDB2003
59101 33820	FDB2049	59302 33890	FDB2048	69101 44820	FDB2213	1B9 W0045 00	FDB2018
59101 33830	FDB2049	59302 45830	FDB150	69101 44830	FDB2213	1C3 W0046 10	FDB2162
59101 33880	FDB2049	59330 38300	FDB218	69101 44840	FDB2162	1C3 W0046 50	FDB2162
59101 35810	FDB574	59330 45260	FDB218	69101 44850	FDB754	1C3 W0046 80	FDB2162
59102 33810	FDB2049	69100 01810	FDB2016	69101 45850XNA	FDB151	1C3 W0046 B0	FDB2162
59102 33860	FDB2049	69100 01870	FDB2049	69101-44850	FDB2258	1D2 W0045 00	FDB2042
59130 04A10	FDB390	69100 02821	FDB313	69130 21E00	FDB338	1D4 F5742 00	FDB659
59130 19C00	FDB569	69100 02822	FDB313	69130 26D00	FDB569	1D5 F5811 00	FDB2018
59130 30B00	FDB389	69100 03880	FDB2197	69130 34C00	FDB338	1D7 W0046 00	FDB2156
59130 32C20	FDB574	69100 03890	FDB2148	69130 38B10	FDB389	1D7W004500	FDB605
59130 36A01	FDB437	69100 04820	FDB754	69130 45C00	FDB338	1FK W0046 01	FDB337
59130 38B10	FDB389	69100 05830	FDB338	69130 48B00	FDB338	1FK W0046 02	FDB337
59130 46E00	FDB873	69100 05850	FDB338	69140 19A01	FDB661	1J3 2000 013	FDB177
59300 03860	FDB313	69100 05860	FDB338	69140 26C00	FDB661	1LN W0045 00	FDB411

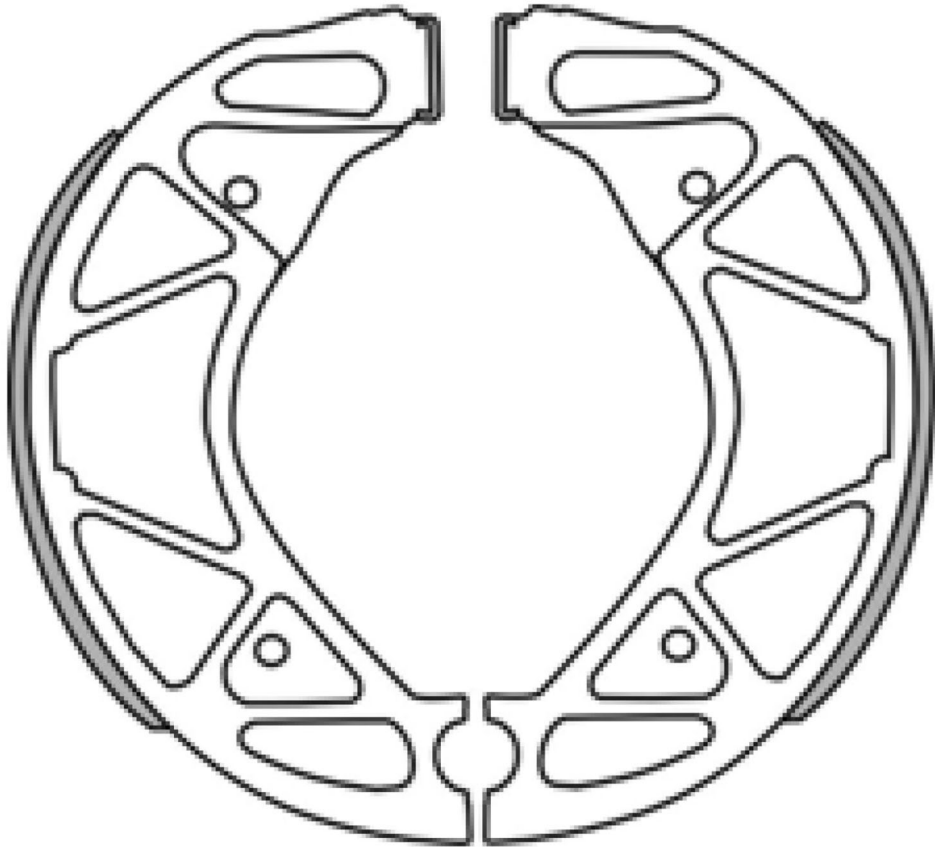
BRAKE PADS X-REF

COMPETITORS - OE TO FERODO

OEM Yamaha	Ferodo	OEM Yamaha	Ferodo	OEM Yamaha	Ferodo	OEM Yamaha	Ferodo
1LR W0046 00	FDB2015	4C8 W0045 00	FDB2217	5BR F5811 00	FDB2062	5VU W0046 00	FDB2200
1S6 W0045 00	FDB664	4C9 W0045 00	FDB2238	5CG W0046 02	FDB2083	5VU W0046 01	FDB2200
1WD 25805 00	FDB2280	4DA W0046 00	FDB659	5D7 F5811 00	FDB892	5VX W0045 00	FDB2003
1WD 25806 00	FDB2283	4EB W0045 00	FDB2003	5D7 F5811 00	FDB2018	5VX W0046 00	FDB754
20S-W0046-00	FDB531	4ES W0045 00	FDB2015	5D7 F582W 00	FDB2184	5WW F5811 20	FDB680
23W W0045 00	FDB277	4ES W0045 20	FDB2015	5DH W0045 00	FDB892	5WW F5811 20	FDB889
26H W0045 01	FDB337	4ES W0046 50	FDB661	5DH W0045 10	FDB892	5XC W0045 00	FDB2219
29L W0046 00	FDB337	4EW W0045 00	FDB497	5DH W0046 00	FDB539	5YU W0046 00	FDB570
29L W0046 01	FDB337	4EW W0045 01	FDB497	5EB W0046 00	FDB2083		
29LW004510	FDB311	4EW W0046 00	FDB659	5EK W0045 00	FDB2083		
2C0 W0045 00	FDB605	4FM W0045 00	FDB864	5ET W0046 00	FDB539		
2C8 W0045 00	FDB2018	4FM W0045 10	FDB864	5FL W0045 00	FDB605		
2CR 25806 0000	FDB2221	4FM W0045 20	FDB864	5FL W0046 50	FDB2084		
2DLF58110000	FDB2279	4FM W0046 00	FDB337				
2DMF58110000	FDB2225	4FMW004530	FDB864	OEM YAMAHA	Ferodo		
2G2 W0045 00	FDB184	4GV F5811 00	FDB2005	5GJ 25806 00	FDB2126		
2HF W0046 00	FDB2015	4GV F5911 00	FDB2018	5GJ W0046 00	FDB2126		
2HH W0045 00	FDB411	4GV W0045 10	FDB2018				
2S3 W0046 00	FDB2156	4GY W0046 00	FDB659	OEM Yamaha	Ferodo		
2UJ W0045 01	FDB311	4H7 W0045 10	FDB247	5GM W0046 00	FDB2200		
2VW F0047 00	FDB499	4HM W0045 00	FDB2003	5GR W0046 00	FDB539		
31A W0046 00	FDB337	4KG W0045 00	FDB449	5JJ W004 500	FDB605		
32D W0045 00	FDB892	4KM W0045 00	FDB781	5JU W0045 00	FDB636		
34X W0046 01	FDB383	4L0 W0045 00	FDB277	5JW W0046 00	FDB2156		
34X W0046 02	FDB383	4MX W0045 00	FDB497	5KM W0046 00	FDB2193		
36M W0045 02	FDB666	4NK W0045 00	FDB662	5LB W0045 00	FDB2083		
3BN W0045 01	FDB383	4NK W0045 01	FDB662	5LV W0046 50	FDB2150		
3D6 F5811 00	FDB2128	4NK W0046 00	FDB662	5ME F5811 00	FDB680		
3D7 W0045 10	FDB570	4P9 W0045 00 (from 2011)	FDB2224	5MF F5811 00	FDB680		
3GM W0045 01	FDB666	4PT W0045 00	FDB737	5MV W0045 00	FDB892		
3GM W0045 02	FDB666	4S5 W0045 00	FDB383	5MV W0045 01	FDB892		
3GM W0045 03	FDB662	4S5 W0045 00	FDB2238	5MV W0046 00	FDB539		
3GM W0045 60	FDB637	4SS W0045 00	FDB497	5NR F5811 00	FDB2074		
3JB W0045 00	FDB591	4SV W0045 00	FDB605	5NR F5811 10	FDB2200		
3JD W0045 00	FDB497	4SV W0045 50	FDB337	5NW W0045 00 (until 2010)	FDB2224		
3JD W0046 00	FDB661	4SV W0045 50	FDB2084	5PA W0045 00	FDB2015		
3LD W0045 10	FDB631	4TW W0046 00	FDB2194	5PA W0046 50	FDB661		
3LD W0046 01	FDB631	4VV F5811 00	FDB680	5PS W0046 00	FDB2156		
3LP W0045 00	FDB781	4W1 W0045 00	FDB277	5PW W0045 00	FDB605		
3P6 W0045 00	FDB2085	4W1 W0046 09	FDB184	5PW W0046 50	FDB2083		
3P6 W0046 50	FDB2156	4W1W004510	FDB277	5RU 25806 00	FDB2200		
3SH F5811 20	FDB207	4WM W0045 00	FDB781	5RU W0045 10	FDB2003		
3SP W0045 00	FDB497	4WM W0046 00	FDB449	5RU W0046 00	FDB2200		
3SP W0046 00	FDB659	4X VW0046 10	FDB2084	5RW F5811 00	FDB680		
3TB W0045 00	FDB737	4XV W0046 00	FDB337	5S7 W0045 00	FDB781		
3TJ W0045 00	FDB605	4XVW004500	FDB605	5S9 W004S 00	FDB2264		
3TJ W0046 00	FDB386	51L W0045 02	FDB386	5SL W0045 00	FDB605		
3UN W0045 00	FDB2015	51L W0046 02	FDB386	5SL W0046 00	FDB754		
3XF W0045 50	FDB337	52S F5811 00	FDB2264	5UN W0046 00	FDB2162		
3XJ W0046 00	FDB659			5UN W0046 50	FDB2162		
3XP W0046 00	FDB383	OEM YAMAHA	Ferodo	5UN W0046 51	FDB2162		
3XP W0046 00	FDB659	59C 25806 00	FDB2126	5UN W0046 60	FDB2162		
3YF W0045 00	FDB737			5VK W004 600	FDB2005		
4B5W004500	FDB605	OEM Yamaha	Ferodo	5VK W0045 00	FDB2018		
4BH W0045 01	FDB865	5BK F5811 00	FDB697	5VNW004500	FDB605		
4BP W0045 00	FDB781	5BN W0045 00	FDB781	5VU W0045 00	FDB2003		

FERODO™

MOTORCYCLE PADS



BRAKE SHOES XREF
Competitors to Ferodo

FERODO™

MOTORCYCLE PADS

BRAKE SHOES X-REF

COMPETITORS - OE TO FERODO

EBC	Ferodo	EBC	Ferodo	EBC	Ferodo	EBC	Ferodo
301	FSB702	514	FSB735	715	FSB802	886	FSB895
302	FSB703	515	FSB765	717	FSB932	887	FSB862
303	FSB704	516	FSB736	801	FSB850	888	FSB866
304	FSB705	517	FSB737	802	FSB812	890	FSB896
306	FSB760	518	FSB738	803	FSB813	892	FSB914
307	FSB966	519	FSB739	804	FSB936	893	FSB788
309	FSB749	520	FSB928	805	FSB939	894	FSB860
310	FSB706	521	FSB772	806	FSB940	895	FSB861
311	FSB942	522	FSB766	807	FSB941	896	FSB915
312	FSB707	524	FSB933	808	FSB952	897	FSB883
313	FSB708	525	FSB771	809	FSB951	899	FSB938
314	FSB943	527	FSB947	810	FSB953	900	FSB937
315	FSB742	528	FSB948	811	FSB817	901	FSB869
316	FSB741	533	FSB967	812	FSB814	902	FSB879
318	FSB709	601	FSB720	813	FSB815	903	FSB874
319	FSB750	602	FSB721	814	FSB816	904	FSB891
320	FSB710	603	FSB722	816	FSB954	905	FSB890
321	FSB711	604	FSB723	817	FSB956	906	FSB885
322	FSB712	605	FSB724	818	FSB958	907	FSB889
323	FSB740	606	FSB725	819	FSB959	908	FSB902
324	FSB747	609	FSB773	820	FSB960	909	FSB910
325	FSB743	611	FSB780	821	FSB847	910	FSB875
327	FSB744	612	FSB950	822	FSB819	911	FSB873
328	FSB745	613	FSB726	824	FSB964	912	FSB886
330	FSB713	614	FSB727	831	FSB807	914	FSB884
331	FSB746	615	FSB783	833	FSB857	915/916	FSB882
332	FSB751	616	FSB786	841	FSB898	917/918	FSB878
333	FSB714	617	FSB728	842	FSB849	921	FSB876
334	FSB754	618	FSB776	843	FSB901	922	FSB897
335	FSB758	619	FSB775	844	FSB858	924	FSB912
336	FSB715	620	FSB785	845	FSB844	926	FSB907
337	FSB752	621	FSB779	851	FSB922	927	FSB852
338	FSB756	622	FSB778	852	FSB920	929	FSB818
339	FSB925	624	FSB777	853	FSB919	930	FSB803
340	FSB755	625	FSB927	854	FSB921	931	FSB908
341	FSB748	626	FSB784	857	FSB962	933	FSB820
342	FSB944	627	FSB729	858	FSB916	934	FSB825
343	FSB761	628	FSB934	859	FSB863	935	FSB826
344	FSB757	630	FSB790	860	FSB700	936	FSB827
345	FSB945	631	FSB791	861	FSB701	937	FSB821
346	FSB753	632	FSB792	862	FSB804	939	FSB899
347	FSB931	633	FSB929	863	FSB805	940	FSB904
350	FSB762	634	FSB782	864	FSB806	941	FSB768
351	FSB946	635	FSB957	865	FSB851	942	FSB887
352	FSB963	701	FSB798	866	FSB811	943	FSB846
501	FSB730	702	FSB716	867	FSB871	944	FSB833
502	FSB764	703	FSB717	868	FSB888	945	FSB877
503	FSB731	704	FSB797	873	FSB864	947	FSB859
504	FSB732	705	FSB799	876	FSB865	948	FSB853
506	FSB733	706	FSB718	877	FSB870	949	FSB854
507	FSB913	708	FSB793	878	FSB822	951	FSB855
508	FSB763	709	FSB719	880	FSB867	952	FSB911
510	FSB734	710	FSB794	881	FSB892	953	FSB848
511	FSB767	711	FSB800	882	FSB893	954	FSB838
512	FSB769	713	FSB795	883	FSB829	955	FSB834
513	FSB770	714	FSB801	885	FSB894	958	FSB839

BRAKE SHOES X-REF

COMPETITORS - OE TO FERODO

EBC	Ferodo	LUCAS/TRW	Ferodo	NEWFREN	Ferodo	NEWFREN	Ferodo
959	FSB843	MCS854	FSB722	.GF.0024	FSB869	.GF.0242/3	FSB872
965	FSB837	MCS855	FSB721	.GF.0084	FSB847	.GF.0244	FSB900
975	FSB835	MCS856	FSB728	.GF.0087	FSB875	.GF.0245	FSB906
976	FSB836	MCS857	FSB802	.GF.0089	FSB839	.GF.0246	FSB870
977	FSB841	MCS858	FSB800	.GF.0097	FSB897	.GF.0247	FSB829
978	FSB823	MCS861	FSB717	.GF.0097/A	FSB905	.GF.0249	FSB892
979	FSB824	MCS890	FSB823	.GF.0115	FSB884	.GF.0250	FSB893
981	FSB909	MCS891	FSB824	.GF.0127	FSB873	.GF.0251	FSB894
982	FSB845	MCS892	FSB710	.GF.0128	FSB874	.GF.0252	FSB895
983	FSB781	MCS901	FSB723	.GF.0130	FSB885	.GF.0253	FSB862
985	FSB832	MCS902	FSB724	.GF.0149	FSB840	.GF.0254	FSB896
986	FSB809	MCS904	FSB773	.GF.0150	FSB842	.GF.0255	FSB788
987	FSB759	MCS905	FSB782	.GF.0151	FSB902	.GF.0256	FSB914
988	FSB903	MCS906	FSB780	.GF.0152	FSB910	.GF.0257	FSB915
989	FSB842	MCS907	FSB725	.GF.0153	FSB907	.GF.0258/9	FSB935
990	FSB828	MCS915	FSB786	.GF.0159	FSB891	.GF.0260	FSB937
992	FSB856	MCS918	FSB729	.GF.0160	FSB879	.GF.0261	FSB938
993/994	FSB872	MCS919	FSB725	.GF.0162	FSB890	.GF.0262	FSB939
995	FSB900	MCS920	FSB936	.GF.0166/7	FSB882	.GF.0263	FSB940
996	FSB906	MCS921	FSB777	.GF.0170	FSB843	.GF.0264	FSB941
997	FSB810	MCS940	FSB700	.GF.0174	FSB886	.GF.0265	FSB951
998	FSB831	MCS941	FSB701	.GF.0176	FSB880	.GF.0266	FSB952
999	FSB808	MCS942	FSB804	.GF.0177	FSB881	.GF.0267	FSB953
		MCS943	FSB805	.GF.0179	FSB796	.GF.0268	FSB954
		MCS944	FSB806	.GF.0183	FSB818	.GF.0269	FSB965
LUCAS/TRW	Ferodo	MCS945	FSB863	.GF.0190	FSB889	.GF.1043	FSB704
MCS800	FSB704	MCS950	FSB769	.GF.0197/8	FSB878	.GF.1044	FSB819
MCS802	FSB742	MCS951	FSB732	.GF.0200	FSB898	.GF.1075	FSB916
MCS803	FSB707	MCS952	FSB767	.GF.0200/A	FSB911	.GF.1076	FSB917
MCS804	FSB705	MCS953	FSB733	.GF.0201	FSB876	.GF.1081	FSB918
MCS805	FSB709	MCS954	FSB770	.GF.0203	FSB858	.GF.1084	FSB835
MCS806	FSB711	MCS955	FSB734	.GF.0204	FSB901	.GF.1088	FSB836
MCS807	FSB708	MCS956	FSB738	.GF.0208	FSB852	.GF.1090	FSB919
MCS808	FSB710	MCS957	FSB765	.GF.0209	FSB859	.GF.1091	FSB920
MCS809	FSB741	MCS958	FSB736	.GF.0210	FSB908	.GF.1092	FSB921
MCS811	FSB749	MCS960	FSB730	.GF.0212	FSB853	.GF.1093	FSB702
MCS812	FSB740	MCS961	FSB764	.GF.0213	FSB849	.GF.1104	FSB922
MCS813	FSB703	MCS962	FSB731	.GF.0214	FSB838	.GF.1105	FSB733
MCS815	FSB751	MCS963	FSB739	.GF.0215	FSB912	.GF.1109	FSB710
MCS816	FSB744	MCS964	FSB737	.GF.0218	FSB837	.GF.1110	FSB850
MCS817	FSB706	MCS968	FSB947	.GF.0219	FSB844	.GF.1111	FSB923
MCS819	FSB713	MCS969	FSB772	.GF.0220	FSB803	.GF.1112	FSB924
MCS820	FSB715	MCS980	FSB874	.GF.0221	FSB899	.GF.1120	FSB782
MCS821	FSB755	MCS981	FSB890	.GF.0222	FSB904	.GF.1121	FSB773
MCS822	FSB761	MCS982	FSB893	.GF.0223	FSB768	.GF.1124	FSB814
MCS824	FSB757	MCS983	FSB892	.GF.0224	FSB887	.GF.1126	FSB815
MCS825	FSB714	MCS985	FSB915	.GF.0225	FSB846	.GF.1128	FSB822
MCS827	FSB702	MCS986	FSB891	.GF.0226	FSB848	.GF.1130	FSB741
MCS828	FSB712	MCS987	FSB894	.GF.0227	FSB759	.GF.1131	FSB854
MCS831	FSB762	MCS988	FSB902	.GF.0228	FSB903	.GF.1132	FSB955
MCS832	FSB756	MCS989	FSB940	.GF.0229	FSB781	.GF.1133	FSB855
MCS833	FSB767	MCS990	FSB883	.GF.0232	FSB841	.GF.1135	FSB857
MCS834	FSB769	MCS991	FSB792	.GF.0233	FSB909	.GF.1137	FSB807
MCS850	FSB741	MCS993	FSB783	.GF.0234	FSB888	.GF.1140	FSB793
MCS851	FSB795	MCS994	FSB954	.GF.0235	FSB845	.GF.1141	FSB794
MCS852	FSB719	MCS995	FSB946	.GF.0236	FSB856	.GF.1142	FSB795
MCS853	FSB718						

BRAKE SHOES X-REF

COMPETITORS - OE TO FERODO

NEWFREN	Ferodo	NEWFREN	Ferodo	NEWFREN	Ferodo	SBS	Ferodo
.GF.1143	FSB712	.GF.1202	FSB769	.GF.1264	FSB766	SBS2027	FSB710
.GF.1145	FSB823	.GF.1203	FSB770	.GF.1265	FSB810	SBS2028	FSB731
.GF.1146	FSB722	.GF.1204	FSB765	.GF.1266	FSB851	SBS2029	FSB740
.GF.1147	FSB721	.GF.1206	FSB760	.GF.1267	FSB811	SBS2030	FSB751
.GF.1148	FSB797	.GF.1207	FSB966	.GF.1268	FSB789	SBS2031	FSB747
.GF.1150	FSB742	.GF.1209	FSB942	.GF.1269	FSB790	SBS2032	FSB732
.GF.1151	FSB877	.GF.1210	FSB943	.GF.1270	FSB772	SBS2033	FSB913
.GF.1152	FSB812	.GF.1211	FSB700	.GF.1271	FSB865	SBS2034	FSB733
.GF.1153	FSB825	.GF.1212	FSB925	.GF.1272	FSB866	SBS2035	FSB767
.GF.1154	FSB820	.GF.1213	FSB750	.GF.1273	FSB928	SBS2036	FSB763
.GF.1155	FSB826	.GF.1214	FSB711	.GF.1274	FSB932	SBS2037	FSB734
.GF.1156	FSB827	.GF.1215	FSB747	.GF.1275	FSB934	SBS2038	FSB718
.GF.1157	FSB787	.GF.1216	FSB728	.GF.1276	FSB931	SBS2039	FSB797
.GF.1158	FSB776	.GF.1217	FSB739	.GF.1277	FSB867	SBS2040	FSB799
.GF.1159	FSB817	.GF.1218	FSB701	.GF.1278	FSB771	SBS2041	FSB713
.GF.1160	FSB813	.GF.1219	FSB804	.GF.1279	FSB936	SBS2042	FSB746
.GF.1161	FSB786	.GF.1220	FSB720	.GF.1283	FSB860	SBS2043	FSB756
.GF.1162	FSB913	.GF.1223	FSB752	.GF.1284	FSB861	SBS2044	FSB925
.GF.1163	FSB737	.GF.1224	FSB950	.GF.1289	FSB762	SBS2045	FSB944
.GF.1164	FSB763	.GF.1225	FSB726	.GF.1291	FSB933	SBS2046	FSB761
.GF.1165	FSB778	.GF.1226	FSB727	.GF.1294	FSB863	SBS2047	FSB757
.GF.1166	FSB779	.GF.1227	FSB783	.GF.1296	FSB791	SBS2048	FSB753
.GF.1167	FSB734	.GF.1228	FSB729	.GF.1297	FSB792	SBS2049	FSB737
.GF.1168	FSB767	.GF.1229	FSB715	.GF.1300	FSB883	SBS2050	FSB738
.GF.1169	FSB743	.GF.1230	FSB784	.GF.1302	FSB929	SBS2051	FSB927
.GF.1170	FSB749	.GF.1231	FSB785	.GF.1303	FSB947	SBS2052	FSB784
.GF.1171	FSB709	.GF.1232	FSB761	.GF.1304	FSB948	SBS2053	FSB934
.GF.1172	FSB744	.GF.1233	FSB777	.GF.1305	FSB946	SBS2054	FSB932
.GF.1173	FSB745	.GF.1234	FSB798	.GF.1308	FSB956	SBS2056	FSB717
.GF.1174	FSB746	.GF.1235	FSB716	.GF.1309	FSB957	SBS2057	FSB714
.GF.1175	FSB707	.GF.1236	FSB717	.GF.1310	FSB958	SBS2058	FSB708
.GF.1176	FSB821	.GF.1237	FSB799	.GF.1311	FSB959	SBS2059	FSB711
.GF.1177	FSB740	.GF.1238	FSB718	.GF.1312	FSB960	SBS2060	FSB719
.GF.1178	FSB705	.GF.1240	FSB719	.GF.1314	FSB962	SBS2063	FSB769
.GF.1179	FSB751	.GF.1241	FSB832	.GF.1316	FSB963	SBS2064	FSB735
.GF.1180	FSB864	.GF.1242	FSB800	.GF.1317	FSB964	SBS2065	FSB765
.GF.1181	FSB833	.GF.1244	FSB801	.GF.1318	FSB967	SBS2066	FSB736
.GF.1182	FSB834	.GF.1245	FSB802			SBS2069	FSB706
.GF.1183	FSB828	.GF.1246	FSB754	SBS	Ferodo	SBS2070	FSB743
.GF.1184	FSB713	.GF.1247	FSB758	SBS2010	FSB702	SBS2071	FSB943
.GF.1185	FSB816	.GF.1248	FSB714	SBS2011	FSB703	SBS2072	FSB741
.GF.1186	FSB724	.GF.1249	FSB808	SBS2012	FSB704	SBS2074	FSB712
.GF.1187	FSB738	.GF.1250	FSB831	SBS2013	FSB705	SBS2075	FSB743
.GF.1188	FSB732	.GF.1251	FSB755	SBS2014	FSB721	SBS2077	FSB751
.GF.1190	FSB735	.GF.1252	FSB748	SBS2015	FSB722	SBS2080	FSB715
.GF.1191	FSB780	.GF.1253	FSB756	SBS2016	FSB724	SBS2082	FSB748
.GF.1192	FSB708	.GF.1254	FSB757	SBS2017	FSB723	SBS2085	FSB931
.GF.1193	FSB730	.GF.1255	FSB775	SBS2018	FSB725	SBS2087	FSB798
.GF.1194	FSB706	.GF.1256	FSB805	SBS2019	FSB760	SBS2088	FSB793
.GF.1195	FSB725	.GF.1257	FSB806	SBS2020	FSB726	SBS2091	FSB795
.GF.1196	FSB723	.GF.1258	FSB944	SBS2021	FSB739	SBS2092	FSB801
.GF.1197	FSB736	.GF.1259	FSB753	SBS2022	FSB783	SBS2093	FSB802
.GF.1198	FSB703	.GF.1260	FSB824	SBS2023	FSB707	SBS2094	FSB720
.GF.1199	FSB764	.GF.1261	FSB809	SBS2024	FSB742	SBS2097	FSB773
.GF.1200	FSB731	.GF.1262	FSB871	SBS2025	FSB717	SBS2098	FSB782
.GF.1201	FSB927	.GF.1263	FSB945	SBS2026	FSB709	SBS2099	FSB780

BRAKE SHOES X-REF

COMPETITORS - OE TO FERODO

SBS	Ferodo	VESRAH	Ferodo	VESRAH	Ferodo	OEM Gilera	Ferodo
SBS2101	FSB727	VB124	FSB942	VB311	FSB728	267126	FSB902
SBS2102	FSB786	VB125	FSB707	VB312	FSB722	4145574	FSB889
SBS2103	FSB728	VB126	FSB705	VB313	FSB726		
SBS2104	FSB776	VB127	FSB742	VB314	FSB727	OEM Honda	Ferodo
SBS2107	FSB779	VB128	FSB741	VB315	FSB779	06430 354 405	FSB749
SBS2108	FSB778	VB129	FSB710	VB316	FSB786	06430 428 003	FSB740
SBS2111	FSB725	VB130	FSB706	VB318	FSB785	06430 GBJ 740	FSB709
SBS2112	FSB730	VB132	FSB708	VB319	FSB764	06430 GBJ K20	FSB963
SBS2113	FSB770	VB133	FSB711	VB321	FSB784	06430 GC4 831	FSB714
SBS2114	FSB928	VB134	FSB702	VB322	FSB720	06430 GCW 000	FSB714
SBS2115	FSB772	VB135	FSB760	VB323	FSB727	06430 GE8 405	FSB703
SBS2116	FSB850	VB136	FSB709	VB324	FSB791	06430 GET 000	FSB714
SBS2117	FSB812	VB137	FSB747	VB325	FSB792	06430 GJ3 932	FSB715
SBS2118	FSB813	VB138	FSB743	VB328	FSB777	06430 GW3 980	FSB704
SBS2120	FSB814	VB139	FSB749	VB330	FSB883	06430 GZ9 003	FSB702
SBS2121	FSB815	VB140	FSB740	VB404	FSB793	06430 KBG 700	FSB706
SBS2122	FSB816	VB141	FSB703	VB405	FSB795	06430 KBG 701	FSB706
SBS2139	FSB700	VB142	FSB713	VB406	FSB722	06430 KFG 000	FSB946
SBS2140	FSB701	VB143	FSB746	VB407	FSB724	06430 KRP 980	FSB963
SBS2141	FSB804	VB144	FSB745	VB408	FSB797	06430 MCL 700	FSB761
SBS2143	FSB863	VB146	FSB761	VB409	FSB721	06430 MM8 881	FSB761
SBS2146	FSB874	VB147	FSB925	VB410	FSB721	06430 MR5 006	FSB761
SBS2171	FSB823	VB148	FSB751	VB411	FSB799	06430 MW3 671	FSB711
SBS2172	FSB824	VB149	FSB744	VB412	FSB719	06430 MZ5 003	FSB761
SBS2178	FSB933	VB150	FSB714	VB413	FSB718	06430-131-405	FSB702
SBS2181	FSB777	VB151	FSB748	VB414	FSB798	06430-HB2-405	FSB714
SBS2182	FSB764	VB152	FSB945	VB415	FSB801	06430-KBR-003	FSB740
SBS2183	FSB721	VB154	FSB746	VB416	FSB717	06450 GAG 003	FSB704
SBS2184	FSB893	VB157	FSB946	VB417	FSB802	06450 KC2 680	FSB707
SBS2185	FSB892	VB158	FSB755	VB419	FSB794	06450 KS4 601	FSB713
SBS2186	FSB894	VB159	FSB713			06450 MC4 415	FSB744
SBS2187	FSB895	VB206	FSB770	OEM Aprilia	Ferodo	06450 MC4 415	FSB751
SBS2188	FSB883	VB208	FSB734	56292R	FSB938	06450-178-932	FSB704
SBS2189	FSB762	VB210	FSB734	56293R	FSB953	06455 GAG 003	FSB715
SBS2191	FSB771	VB212	FSB732	56294R	FSB953	43120 393 305	FSB710
SBS2192	FSB766	VB219	FSB913	8213133	FSB788	43120 428 013	FSB740
SBS2193	FSB758	VB220	FSB767	8213424	FSB956	43120 430 305	FSB743
SBS2194	FSB754	VB223	FSB733	CM060402	FSB953	43120 458 305	FSB741
SBS2195	FSB938	VB224	FSB730			43120 GC4 832	FSB714
SBS2196	FSB910	VB225	FSB735	OEM Benelli	Ferodo	43120 KM1305	FSB748
SBS2197	FSB794	VB226	FSB764	R44790031A0	FSB788	43120 KS6 305	FSB713
SBS2198	FSB946	VB227	FSB769			43120 MG7 003	FSB755
SBS2199	FSB947	VB228	FSB734	OEM Beta	Ferodo	43120 MG7 405	FSB755
SBS2200	FSB940	VB229	FSB731	1242150000	FSB788	43120 ML4 711	FSB708
SBS2201	FSB956	VB230	FSB765			43120 MM9 780	FSB709
SBS2202	FSB957	VB231	FSB736	OEM BMW	Ferodo	43120 MM9 781	FSB709
SBS2203	FSB958	VB233	FSB737	34 11 2 311 079	FSB806	43120 MR1 611	FSB711
SBS2204	FSB953	VB234	FSB763	34 21 2 310 523	FSB701	43120 MR5 006	FSB761
SBS2205	FSB954	VB235	FSB733	34 21 2 311 080	FSB700	43120 MW3 671	FSB711
SBS2207	FSB946	VB239	FSB947	34 21 2 311 082	FSB804	43120-428-405	FSB740
		VB302	FSB721			43120-GW6-306	FSB714
		VB305	FSB773	OEM Bultaco	Ferodo	43120-GZ9-003	FSB712
VESRAH	Ferodo	VB307	FSB780	48 06 056	FSB857	43130 GE9 003	FSB754
VB101	FSB704	VB308	FSB725			45120 286 000	FSB943
VB110	FSB704	VB309	FSB724	OEM Derbi	Ferodo	45120 369 305	FSB742
VB119	FSB943	VB310	FSB723	00G01300931	FSB777	45120 369 670	FSB943
VB123	FSB966						

BRAKE SHOES X-REF

COMPETITORS - OE TO FERODO

OEM Honda	Ferodo
45120 E60 000	FSB788
45120 GE8 505	FSB712
45120 KA4 305	FSB746
45120 KB9 005	FSB705
45120 KB9 015	FSB705
45351 GBM 750	FSB704

OEM Husqvarna	Ferodo
1516-54301	FSB850

OEM Kawasaki	Ferodo
41048 1070	FSB719
41048 1076	FSB721
41048 1082	FSB794
41048 1083	FSB802
41048 1084	FSB717
41048 1090	FSB800
41048 1093	FSB795
41048 1097	FSB716
41048 1107	FSB724
41048 1122	FSB793
41048 1141	FSB722
41048 1142	FSB718
42019 011	FSB724
42019 013	FSB716

OEM KTM	Ferodo
54309035000	FSB816
55009035000	FSB814

OEM Kymco	Ferodo
43120 KUDU 900	FSB704
4312A E22 000	FSB704
4312A KUDU 920	FSB958
45120 KCP9 000	FSB704
4512A LCB4 910	FSB704

OEM Malagutti	Ferodo
11907700	FSB907
11940300	FSB788
11971000	FSB788

OEM Piaggio	Ferodo
2691825	FSB894
2721845	FSB938
2727115	FSB940
2736235	FSB938
414429	FSB893
414497	FSB910
56292R	FSB938
56293R	FSB953
82595R	FSB953
I272714	FSB895

OEM Suzuki	Ferodo
54041 30F00	FSB777

OEM Suzuki	Ferodo
54400 02820	FSB727
54400 03810	FSB777
54400 03820	FSB777
54400-08810	FSB723
54401 07820	FSB721
54401-43810	FSB723
54401-43840	FSB723
54402 07810	FSB721
54402 35820	FSB722
54410 02410	FSB720
54410 14100	FSB776
54410 14300	FSB778
54410 19B10	FSB934
54410 46B01	FSB792
64400 11870	FSB773
64400 31830	FSB782
64400 34830	FSB780
64400 38810	FSB784
64400 38820	FSB784
64400 44810	FSB725
64410 14100	FSB786
64410 38A00	FSB784
64410 40301	FSB785
64410 44B00	FSB725
64410 44B10	FSB790

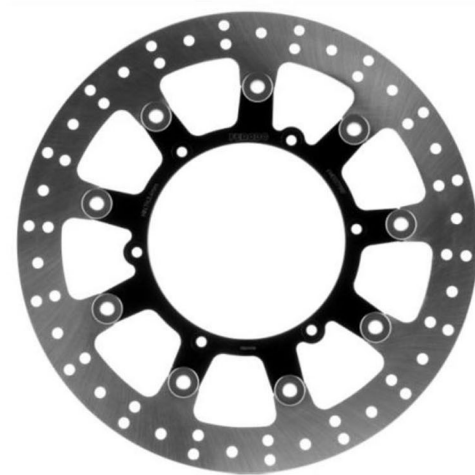
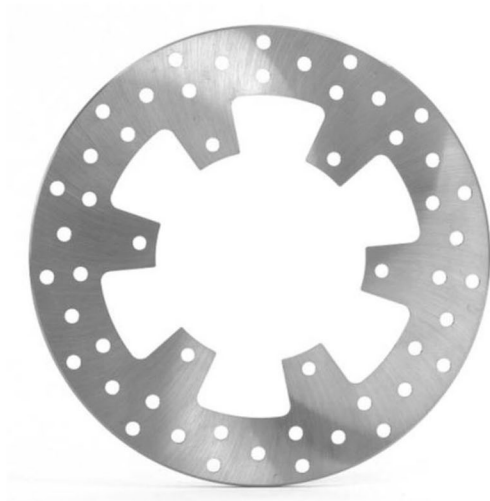
OEM Sym	Ferodo
4312A E22 900	FSB704
4312A E60 000	FSB704
4312A E60 900	FSB704
4312A Y01 E00	FSB704

OEM Yamaha	Ferodo
25G 25130 00	FSB733
25G 25330 00	FSB733
25G W2536 01	FSB732
322 W2535 10	FSB913
39K 25130 00	FSB764
39K W2535 00	FSB764
3D9 W2533 00	FSB733
3DR W2536 00	FSB765
3DR W253E 00	FSB765
3EC W2535 00	FSB764
3EC W253A 00	FSB764
3FA W253A 00	FSB733
3GW W253A 00	FSB734
3LS W2536 00	FSB733
3LS W253E 00	FSB947
3LT W253E 00	FSB769
3PT W2535 00	FSB730
3PT W2535 10	FSB730
3PT W253A 10	FSB730
3TE W2535 00	FSB772
4BE W2536 00	FSB731
4BE W253E 00	FSB731
4BX W253A 00	FSB738

OEM Yamaha	Ferodo
4DR W2536 00	FSB765
4GR W253E 00	FSB767
4HC W2536 00	FSB736
4JP W2535 00	FSB739
4KN W2536 11	FSB731
4KN W253E 11	FSB731
4TA W253E 00	FSB731
4TA W253E 01	FSB731
4V4 W253A 00	FSB763
4XE WF531 00	FSB948
5ML X2533 00	FSB967
5R3 W253E 00	FSB735
5VH WF536 00	FSB736



MOTORCYCLE DISCS



Motorcycle Applications



MOTORCYCLE DISCS



DISCS TYPE



DISCS TYPE

APRILIA

AMICO all models	50	1992 →	FMD0001	R		
AREA 51	50	1998 →	FMD0002	R	FMD0002	R
AREA 51 SBK	50	2000 → 2002			FMD0002	R
GULLIVER	50	1995 → 1998	FMD0002	R		
HABANA	50	1998 →	FMD0002	R		
MOJTO	50	1999 → 2004	FMD0002	R		
RALLY	50	1995 →	FMD0002	R		
RALLY liquid cooled	50	1996 →	FMD0002	R	FMD0002	R
RS	50	1999 → 2005			FMD0170	R
RS REPLICIA	50	2000 → 2005	FMD0051	R	FMD0170	R
SCARABEO	50	1998 → 2005			FMD0002	R
SCARABEO 4t	50	2002 → 2003			FMD0002	R
SCARABEO 4t	50	2004 → 2009			FMD0002	R
SCARABEO DE-LUX	50	1998 →			FMD0002	R
SCARABEO DITECH	50	2001 → 2004			FMD0002	R
SONIC GP	50	1997 →	FMD0001	R		
SONIC SPICE	50	1997 →	FMD0001	R		
SR all models	50	1993 → 1995	FMD0002	R		
SR H20 DITECH E (carburatore)	50	2000 → 2002	FMD0002	R	FMD0002	R
SR H20 DITECH EURO 2	50	2002 → 2003	FMD0002	R	FMD0002	R
SR R FACTORY (motore Piaggio)	50	2004 → 2005	FMD0002	R	FMD0327	R
SR RACING	50	1997 → 1999	FMD0002	R	FMD0002	R
SR STEALTH	50	1997 → 1999	FMD0002	R	FMD0002	R
SR STREET	50	2005 →	FMD0002	R	FMD0002	R
SR WWW	50	1997 → 2001	FMD0002	R		
TUONO	50	2003 → 2004	FMD0051	R	FMD0170	R
TUONO	50	2004 →	FMD0051	R	FMD0170	R
SCARABEO	100	2000 →	FMD0003	R		
SCARABEO 4t	100	2004 →	FMD0003	R		
AF1 FUTURA	125	1990 → 1992	FMD0111	RX		
ATLANTIC	125	2003 → 2011	FMD0326	R	FMD0327	R
HABANA	125	1998 →	FMD0002	R		
LEONARDO	125	1995 → 2004	FMD0003	R	FMD0002	R
MOJTO all models	125	1999 → 2004	FMD0002	R		
MX	125	2004 → 2007	FMD0111	RX	FMD0164	R
PEGASO	125	1990 → 1991			FMD0164	R
RS	125	1996 → 1997			FMD0170	R
RS	125	1998 → 2011	FMD0111	RX	FMD0170	R
RS EXTREMA	125	1992 → 1997	FMD0111	RX	FMD0164	R
RS REPLICIA	125	1992 → 1997	FMD0111	RX	FMD0164	R
SCARABEO	125	2004 → 2006	FMD0050	R		
SCARABEO (motore Piaggio)	125	2003 → 2004	FMD0050	R		
SCARABEO (motore Rotax)	125	1999 → 2003	FMD0050	R	FMD0003	R
SCARABEO EU3	125	2006 → 2007	FMD0050	R		
SCARABEO GT	125	1999 → 2003	FMD0050	R	FMD0003	R
SCARABEO IE LIGHT	125	2008 → 2010	FMD0050	R	FMD0170	R
SCARABEO LIGHT	125	2007 → 2008	FMD0050	R	FMD0170	R
SPORT CITY	125	2004 → 2005	FMD0050	R	FMD0003	R
SPORT CITY CUBE	125	2008 → 2010	FMD0050	R	FMD0003	R
SPORT CITY EU3	125	2006 → 2008	FMD0050	R	FMD0003	R
SR	125	1999 →	FMD0002	R		
TUONO	125	2003 → 2007	FMD0111	RX	FMD0170	R
TUONO	125	2004 → 2005	FMD0111	RX		
LEONARDO	150	1997 → 1998	FMD0003	R	FMD0002	R
LEONARDO	150	1999 → 2004	FMD0003	R	FMD0002	R
MOJTO all models	150	1999 → 2004	FMD0002	R		
SCARABEO	150	1998 → 2003	FMD0050	R	FMD0003	R
SCARABEO GT	150	2004 →	FMD0050	R	FMD0003	R
SR	150	1999 →	FMD0002	R		
ARECIFE (spagna)	200	2003 →	FMD0326	R	FMD0327	R
ATLANTIC	200	2003 → 2005	FMD0326	R	FMD0327	R
SCARABEO	200	2001 → 2003	FMD0050	R	FMD0003	R
SCARABEO	200	2007 →	FMD0050	R	FMD0170	R
SCARABEO (motore Piaggio)	200	2003 →	FMD0050	R		
SCARABEO CLASS	200	2010 →	FMD0050	R	FMD0170	R
SCARABEO GT	200	2002 →	FMD0050	R	FMD0003	R
SCARABEO IE LIGHT	200	2012 →	FMD0050	R	FMD0170	R
SPORT CITY	200	2004 → 2005	FMD0050	R	FMD0003	R
SPORT CITY CUBE	200	2009 →	FMD0050	R	FMD0003	R
SPORT CITY EU3	200	2006 → 2008	FMD0050	R	FMD0003	R
ATLANTIC	250	2003 → 2006	FMD0326	R	FMD0327	R
LEONARDO	250	1999 → 2001	FMD0003	R	FMD0171	R
LEONARDO ST	250	2001 → 2004	FMD0003	R	FMD0171	R
RS	250	1995 → 2003			FMD0005	R
RS REPLICIA	250	1995 → 2003	FMD0132 (x2)	RX		
SCARABEO	250	2004 → 2006	FMD0050	R		

APRILIA

10000



DISCS TYPE

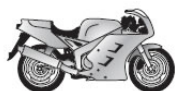


DISCS TYPE

...APRILIA

SCARABEO IE	250	2006 → 2009	FMD0050 (x2)	R		
SCARABEO LIGHT	250	2006 → 2008	FMD0050 (x2)	R	FMD0170	R
SPORT CITY CUBE	250	2008 → 2010	FMD0050 (x2)	R	FMD0003	R
SPORT CITY EU3	250	2006 →	FMD0050 (x2)	R	FMD0003	R
ATLANTIC	300	2010 → 2011	FMD0326	R	FMD0327	R
LEONARDO	300	2002 → 2004	FMD0003	R	FMD0171	R
SCARABEO LIGHT	300	2006 → 2010	FMD0050	R		
SCARABEO SPECIAL IE	300	2009 →	FMD0050	R		
SPORT CITY CUBE	300	2008 →	FMD0050 (x2)	R		
SR MAX	300	2010 →	FMD0055	R		
ATLANTIC SPRINT	400	2005 → 2008	FMD0050	R	FMD0171	R
SCARABEO LIGHT	400	2006 → 2008	FMD0050 (x2)	R		
SCARABEO URBAN	400	2006 → 2008	FMD0050 (x2)	R		
RXV 4.5	450	2005 →			FMD0406	R
SXV	450	2005 → 2007	FMD0401	RX	FMD0406	R
SXV	450	2008 →			FMD0406	R
ARECIFE (spagna)	500	2002 → 2004	FMD0050 (x2)	R		
ATLANTIC	500	2002 → 2004	FMD0050 (x2)	R	FMD0171	R
ATLANTIC SPRINT	500	2005 → 2008	FMD0050	R	FMD0171	R
SCARABEO	500	2002 → 2006	FMD0050 (x2)	R	FMD0171	R
SCARABEO LIGHT	500	2006 → 2008	FMD0050 (x2)	R		
SCARABEO URBAN	500	2006 → 2011	FMD0050 (x2)	R		
RXV 5.5	550	2005 →			FMD0406	R
SXV	550	2005 → 2007	FMD0401	RX	FMD0406	R
SXV	550	2008 →			FMD0406	R
PEGASO	600	1989 → 1990			FMD0164	R
MOTO 6.5	650	1995 → 2002			FMD0164	R
PEGASO	650	1991 → 2000	FMD0038	RF	FMD0164	R
PEGASO FACTORY	650	2007 → 2009	FMD0111	RX	FMD0207	R
PEGASO I.E.	650	2001 → 2004	FMD0038	RF	FMD0207	R
PEGASO STRADA	650	2005 → 2009	FMD0111	RX		
PEGASO TRAIL	650	2005 → 2008	FMD0038	RF	FMD0207	R
DORSODURO	750	2008 → 2014	FMD0111 (x2)	RX		
DORSODURO FACTORY	750	2010 → 2011	FMD0111 (x2)	RX		
SHIVER GT	750	2009 →	FMD0111 (x2)	RX		
SL SHIVER	750	2007 → 2014	FMD0111 (x2)	RX		
MANA	850	2007 → 2011	FMD0111 (x2)	RX		
MANA GT	850	2009 → 2013	FMD0111 (x2)	RX		
RST FUTURA	1000	2001 → 2003			FMD0005	R
RSV	1000	1998 → 2000	FMD0111 (x2)	RX	FMD0005	R
RSV	1000	2001 → 2002	FMD0352 (x2)	RX	FMD0005	R
RSV	1000	2002 → 2003	FMD0352 (x2)	RX		
RSV FACTORY	1000	2003 → 2007	FMD0352 (x2)	RX		
RSV R	1000	2000 → 2001	FMD0111 (x2)	RX	FMD0005	R
RSV R	1000	2001 → 2005	FMD0352 (x2)	RX	FMD0005	R
RSV R	1000	2005 → 2008	FMD0352 (x2)	RX		
RSV R FACTORY	1000	2004 → 2008			FMD0005	R
RSV R TUONO	1000	2003 → 2005			FMD0005	R
RSV R TUONO FACTORY	1000	2006 → 2009			FMD0005	R
RSV SP	1000	1999 → 2000	FMD0111 (x2)	RX	FMD0005	R
RSV TUONO	1000	2002 → 2005			FMD0005	R
RSV TUONO FIGHTER	1000	2003 → 2005			FMD0005	R
RSV4 FACTORY	1000	2009 → 2010	FMD0352 (x2)	RX	FMD0005	R
RSV4 FACTORY ABS	1000	2013 →			FMD0005	R
RSV4 FACTORY APRC	1000	2011 → 2012	FMD0352 (x2)	RX	FMD0005	R
RSV4 FACTORY APRC R - ABS	1000	2011 → 2013			FMD0005	R
RSV4 R	1000	2009 → 2012	FMD0352 (x2)	RX		
RSV4 R	1000	2010 → 2011	FMD0352 (x2)	RX	FMD0005	R
RSV4 R	1000	2011 → 2012	FMD0352 (x2)	RX		
RSV4 R APRC - ABS	1000	2011 → 2014			FMD0005	R
RSV4 SBK RACING	1000	2009 → 2010			FMD0005	R
SL FALCO	1000	2000 → 2004	FMD0111 (x2)	RX	FMD0005	R
TUONO	1000	2002 → 2005	FMD0352 (x2)	RX		
TUONO FIGHTER	1000	2002 → 2005	FMD0111 (x2)	RX		
TUONO R (2 pads per caliper)	1000	2003 → 2009	FMD0111 (x2)	RX		
TUONO R (4 pads per caliper)	1000	2003 → 2005	FMD0352 (x2)	RX		
TUONO V4 R	1000	2011 → 2013	FMD0111 (x2)	RX	FMD0005	R
TUONO V4 R APRC	1000	2011 → 2013	FMD0111 (x2)	RX	FMD0005	R
TUONO V4 R APRC ABS	1000	2014 →	FMD0111 (x2)	RX	FMD0005	R
TUONO V4 FACTORY	1100	2015 →	FMD0352 (x2)	RX		
TUONO V4 RR	1100	2015 →	FMD0352 (x2)	RX		
CAPO NORD RALLY	1200	2013 → 2015			FMD0005	R
CAPONORD	1200	2013 → 2014	FMD0111 (x2)	RX	FMD0005	R
DORSODURO	1200	2011 → 2013	FMD0111 (x2)	RX		
DORSODURO ABS	1200	2011 → 2012	FMD0111 (x2)	RX		

BENELLI



DISCS TYPE



DISCS TYPE

BENELLI

491 all models	50	1997 →	FMD0097	R		
K2 all models	50	1998 →	FMD0097	R		
K2	100	1999 →	FMD0097	R		
NAKED	100	1999 → 2002	FMD0097	R		
ADIVA	125	2000 → 2002	FMD0007	R	FMD0413	R
ADIVA	150	2000 → 2002	FMD0007	R	FMD0413	R
VELVET	250	1999 →	FMD0326	R		
VELVET TOURING	250	2001 →	FMD0326	R		
BN 302	300	2015 →			FMD0207	R
VELVET DUSK	400	2003 →	FMD0326	R	FMD0022	R
CENTURY RACER	899	2011 → 2015	FMD0111 (x2)	RX	FMD0207	R
TNT	899	2008 → 2015	FMD0111 (x2)	RX	FMD0207	R
TNT S	899	2008 → 2011	FMD0111 (x2)	RX	FMD0207	R
TRE K	899	2011 →	FMD0111 (x2)	RX	FMD0207	R
TORNADO TRE	900	2001 → 2002	FMD0111 (x2)	RX		
TORNADO TRE	900	2003 → 2006	FMD0352 (x2)	RX	FMD0005	R
TORNADO TRE RS	900	2004 → 2006	FMD0352 (x2)	RX	FMD0005	R
TNT	1100	2004 →	FMD0111 (x2)	RX	FMD0207	R
CAFE RACER	1130	2006 → 2015	FMD0352 (x2)	RX	FMD0207	R
CENTURY RACER	1130	2011 → 2014	FMD0111 (x2)	RX	FMD0207	R
TITANIUM	1130	2005 → 2007	FMD0352 (x2)	RX	FMD0207	R
TNT	1130	2004 → 2006	FMD0111 (x2)	RX	FMD0207	R
TNT R160	1130	2011 →	FMD0111 (x2)	RX	FMD0207	R
TNT RS	1130	2005 → 2007	FMD0352 (x2)	RX	FMD0207	R
TORNADO	1130	2006 →	FMD0352 (x2)	RX		
TRE K	1130	2007 → 2015	FMD0111 (x2)	RX	FMD0207	R

BETA

ARK	50	1997 →	FMD0002	R		
ARK LC	50	1999 →	FMD0002	R	FMD0002	R
CHRONO	50	1992 → 1994	FMD0002	R		
CHRONO ruota da 13	50	1994 →	FMD0002	R		
MX R ENDURO	50	1995 → 1996			FMD0317	R
QUADRA	50	1995 → 1996	FMD0002	R		
RK 6 - E	50	1995 → 1997			FMD0317	R
RK 6 T	50	1998 →	FMD0315	R		
RK ADVENTURE	50	1995 → 1996			FMD0317	R
TEMPO 13	50	1995 → 1996	FMD0002	R		
EIKON	125	1999 →	FMD0003	R		
REV 3	125	2000 → 2008	FMD0064	R	FMD0331	R
REV 3	200	2000 → 2008	FMD0064	R	FMD0331	R
REV 3	250	2000 → 2008	FMD0064	R	FMD0331	R
RR	250	2005 → 2012			FMD0335	R
RR	250	2013 →	FMD0017	RF		
REV 3	270	2000 → 2008	FMD0064	R	FMD0331	R
RR	300	2013 →	FMD0017	RF		
RR EFI	350	2015 →	FMD0017	RF		
RR EFI RACING	350	2015 →	FMD0017	RF		
RR ENDURO	350	2012 → 2013			FMD0335	R
RR ENDURO	350	2013 → 2014	FMD0017	RF		
RR	390	2015 →	FMD0017	RF		
RR	400	2005 → 2012			FMD0335	R
RR	430	2015 →	FMD0017	RF		
RR RACING	430	2015 →	FMD0017	RF		
RR	450	2005 → 2012			FMD0335	R
RR CROSS	450	2013 → 2014	FMD0017	RF		
RR CROSS COUNTRY	450	2012 →			FMD0335	R
RR ENDURO	450	2013 → 2014	FMD0017	RF		
RR	480	2015 →	FMD0017	RF		
RR RACING	480	2015 →	FMD0017	RF		
RR ENDURO	498	2013 →	FMD0017	RF		
RR	525	2005 → 2012			FMD0335	R

BIMOTA

YB7	400	1989 →	FMD0111 (x2)	RX		
V-DUE	500	1997 → 2000	FMD0111 (x2)	RX		
YB9	600	1997 → 2000	FMD0111 (x2)	RX		
BB1 SUPERMONO	650	1996 → 2000	FMD0111	RX		
TES1 1D 851	851	1990 → 1991	FMD0111 (x2)	RX		
DB2 SR	904	1993 → 2000	FMD0111 (x2)	RX		
DB3 MANTRA	904	1995 → 2000	FMD0111 (x2)	RX		
DB4	904	1998 → 1999	FMD0111 (x2)	RX		
DIECI BIPOSTO	1000	1992 → 1995	FMD0111 (x2)	RX		
SB8K GOBERT	1000	2006 →	FMD0111 (x2)	RX		

10002



CC



DISCS TYPE



DISCS TYPE

...BIMOTA

SB8K SANTAMONICA	1000	2006	→	FMD0352 (x2)	RX		
SB8R	1000	1997	→ 2000	FMD0111 (x2)	RX		
SB6	1100	1996	→ 2000	FMD0111 (x2)	RX		
SB6R	1100	1998	→ 2000	FMD0111 (x2)	RX		

BMW

C 1	125	1999	→	FMD0170	R	FMD0170	R
C 1	200	2001	→	FMD0170	R	FMD0170	R
R 45	450	1978	→ 1986	FMD0080 (x2)	R		
F 650	650	1994	→ 2001			FMD0207	R
F 650 CS	650	2002	→ 2007			FMD0207	R
F 650 GS	650	2001	→ 2007			FMD0207	R
F 650 GS	650	2008	→ 2011			FMD0407	R
F 650 GS ABS	650	2001	→ 2007			FMD0207	R
F 650 GS ABS	650	2008	→ 2011			FMD0407	R
F 650 GS DAKAR	650	1999	→ 2007			FMD0207	R
F 650 ST	650	1997	→ 2001			FMD0207	R
G 650 GS	650	2009	→ 2014			FMD0207	R
G 650 GS SERTAO	650	2012	→ 2014			FMD0207	R
G 650 X Challenge	650	2007	→			FMD0207	R
G 650 X Country	650	2007	→			FMD0207	R
G 650 X Moto	650	2007	→ 2009	FMD0111	RX		
R 65	650	1978	→ 1980	FMD0080	R		
R 65 LS	650	1982	→ 1988	FMD0080 (x2)	R		
R 65/1	650	1986	→	FMD0080	R		
K 75	750	1984	→ 1996	FMD0081 (x2)	R		
K 75 C	750	1985	→ 1991	FMD0081 (x2)	R		
K 75 RT	750	1990	→ 1996	FMD0081 (x2)	R	FMD0081	R
K 75 S	750	1985	→ 1988	FMD0081 (x2)	R	FMD0081	R
K 75 S	750	1989	→ 1992	FMD0081 (x2)	R		
K 75 S	750	1993	→ 1996	FMD0081 (x2)	R	FMD0081	R
F 650 GS	800	2008	→ 2012			FMD0407	R
F 650 GS ABS	800	2008	→ 2011			FMD0407	R
F 700 GS	800	2013	→ 2014			FMD0407	R
F 800 GS	800	2009	→ 2015			FMD0407	R
F 800 GS ADVENTURE	800	2013	→ 2015			FMD0407	R
F 800 GT	800	2013	→ 2015	FMD0083 (x2)	R	FMD0407	R
F 800 R	800	2009	→ 2015	FMD0083 (x2)	R	FMD0407	R
F 800 S	800	2006	→ 2010	FMD0083 (x2)	R	FMD0407	R
F 800 ST	800	2006	→ 2012	FMD0083 (x2)	R	FMD0407	R
PARIS DAKAR	800	1981	→ 1987	FMD0080 (x2)	R		
R 80	800	1981	→ 1993	FMD0081 (x2)	R		
R 80 GS	800	1988	→ 1990	FMD0080 (x2)	R		
R 80 GS Paris Dakar	800	1988	→ 1994	FMD0081	R		
R 80 R ROADSTER	800	1992	→ 1993	FMD0081 (x2)	R		
R 80 RT	800	1985	→ 1994	FMD0081 (x2)	R		
R 850 C	850	1998	→ 2001	FMD0450 (x2)	R	FMD0075	R
R 850 GS	850	1998	→ 2007	FMD0450 (x2)	R	FMD0075	R
R 850 R	850	1994	→ 2003	FMD0206 (x2)	RF	FMD0075	R
R 850 R	850	2004	→ 2007	FMD0083 (x2)	R	FMD0075	R
R 850 RT	850	1995	→ 2001	FMD0206 (x2)	RF	FMD0075	R
R 850 RT Integral ABS	850	2001	→ 2004	FMD0083 (x2)	R	FMD0075	R
K 100	1000	1983	→ 1989	FMD0081 (x2)	R	FMD0081	R
K 100 LT ABS	1000	1990	→ 1991	FMD0081 (x2)	R	FMD0081	R
K 100 LT LIMITED	1000	1991	→ 1992	FMD0081 (x2)	R	FMD0081	R
K 100 RS	1000	1984	→ 1989	FMD0081 (x2)	R	FMD0081	R
K 100 RS 16V	1000	1989	→ 1993	FMD0206 (x2)	RF	FMD0081	R
K 100 RT	1000	1984	→ 1989	FMD0081 (x2)	R	FMD0081	R
K1	1000	1989	→ 1993	FMD0206 (x2)	RF	FMD0081	R
R 100	1000	1981	→ 1989	FMD0080 (x2)	R	FMD0080	R
R 100 CS	1000	1981	→ 1989	FMD0080 (x2)	R		
R 100 GS	1000	1987	→ 1994	FMD0081	R		
R 100 GS MYSTIC	1000	1991	→	FMD0081 (x2)	R		
R 100 R	1000	1992	→ 1996	FMD0081 (x2)	R	FMD0081	R
R 100 R ROADSTER	1000	1992	→ 1995	FMD0081	R		
R 100 RS	1000	1976	→ 1980	FMD0080 (x2)	R	FMD0080	R
R 100 RT	1000	1991	→ 1994	FMD0081 (x2)	R		
K 1100 LT	1100	1992	→ 2000	FMD0206 (x2)	RF	FMD0081	R
K 1100 RS	1100	1993	→ 1996	FMD0206 (x2)	RF	FMD0081	R
R 1100 GS	1100	1994	→ 2001	FMD0450 (x2)	R	FMD0075	R
R 1100 R	1100	1995	→ 2001	FMD0206 (x2)	RF	FMD0075	R
R 1100 RS	1100	1994	→ 2001	FMD0206 (x2)	RF	FMD0081	R
R 1100 RT	1100	1994	→ 2001	FMD0206 (x2)	RF	FMD0075	R
R 1100 RT ABS	1100	1994	→ 2001	FMD0206 (x2)	RF	FMD0075	R
R 1100 S	1100	1998	→ 2000	FMD0450 (x2)	R	FMD0075	R



CC



DISCS TYPE



DISCS TYPE

...BMW

R 1100 S	1100	2001 → 2006	FMD0083 (x2)	R	FMD0075	R
R 1100 S Boxer Cup Replika	1100	2003 → 2006	FMD0083 (x2)	R	FMD0075	R
R 1150 GS	1150	1999 → 2001	FMD0450 (x2)	R	FMD0075	R
R 1150 GS (Brembo caliper)	1150	2002 → 2004	FMD0450 (x2)	R	FMD0075	R
R 1150 GS ADVENTURE	1150	2002 → 2005	FMD0450 (x2)	R	FMD0075	R
R 1150 R	1150	2001 → 2006	FMD0083 (x2)	R	FMD0075	R
R 1150 R ROCKSTER	1150	2003 → 2006	FMD0083 (x2)	R	FMD0075	R
R 1150 RS	1150	2001 → 2005	FMD0083 (x2)	R	FMD0075	R
R 1150 RT	1150	2001 → 2005	FMD0083 (x2)	R	FMD0075	R
R 1150 RT ABS	1150	2001 → 2005	FMD0083 (x2)	R	FMD0075	R
HP2	1200	2006 → 2009	FMD0450	R	FMD0407	R
HP2 Megamoto	1200	2007 → 2010	FMD0083	R	FMD0407	R
HP2 SPORT	1200	2008 → 2011	FMD0083 (x2)	R	FMD0407	R
K 1200 GT ABS	1200	2002 → 2007	FMD0083 (x2)	R		
K 1200 LT	1200	1999 → 2000	FMD0450 (x2)	R		
K 1200 LT ABS	1200	2001 → 2009	FMD0083 (x2)	R		
K 1200 R	1200	2004 → 2008	FMD0083 (x2)	R	FMD0407	R
K 1200 RS	1200	1997 → 2000	FMD0450 (x2)	R		
K 1200 RS	1200	2001 → 2006	FMD0083 (x2)	R		
K 1200 S / ABS	1200	2004 → 2007	FMD0083 (x2)	R	FMD0407	R
R 1200 C	1200	1997 → 2001	FMD0450 (x2)	R		
R 1200 C CLASSIC	1200	2003 →	FMD0450 (x2)	R		
R 1200 CL	1200	2002 → 2006	FMD0450 (x2)	R		
R 1200 GS	1200	2004 → 2012	FMD0450 (x2)	R	FMD0407	R
R 1200 GS	1200	2013 → 2014	FMD0450 (x2)	R		
R 1200 GS - ABS	1200	2004 → 2012	FMD0450 (x2)	R	FMD0407	R
R 1200 GS - ABS	1200	2013 → 2014	FMD0450 (x2)	R		
R 1200 GS ADVENTURE	1200	2006 → 2013	FMD0450 (x2)	R	FMD0407	R
R 1200 GS ADVENTURE	1200	2014 →	FMD0450 (x2)	R	FMD0407	R
R 1200 R	1200	2006 → 2015	FMD0083 (x2)	R	FMD0407	R
R 1200 RS	1200	2015 →	FMD0083 (x2)	R		
R 1200 RT	1200	2005 → 2013	FMD0083 (x2)	R	FMD0407	R
R 1200 RT	1200	2014 → 2015	FMD0083 (x2)	R		
R 1200 S	1200	2006 → 2008	FMD0083 (x2)	R	FMD0407	R
R 1200 ST	1200	2005 → 2008	FMD0083 (x2)	R	FMD0407	R
R NINE T	1200	2014 → 2015	FMD0083 (x2)	R	FMD0407	R
K 1300 GT	1300	2009 → 2010	FMD0083 (x2)	R		
K 1300 R - ABS	1300	2008 → 2014	FMD0083 (x2)	R	FMD0407	R
K 1300 S	1300	2009 → 2014	FMD0083 (x2)	R	FMD0407	R
K 1600 GT	1600	2011 → 2014	FMD0083 (x2)	R		
K 1600 GTL	1600	2011 → 2014	FMD0083 (x2)	R		

BOMBARDIER

DS X	650	2001 → 2002	FMD0353 (x2)	R		
------	-----	-------------	--------------	---	--	--

BS VILLA

AX	50	1993 →	FMD0001	R		
GZ	50	1993 →	FMD0001	R		

BUELL

BLAST	500	2001 → 2009			FMD0009	R
XB9R FIREBOLT	984	2002 → 2010			FMD0009	R
XB9S LIGHTNING	984	2003 → 2010			FMD0009	R
XB9SX CITY X	984	2005 → 2010			FMD0009	R
CR	1125	2009 → 2010			FMD0009	R
R	1125	2008 → 2010			FMD0009	R
1200 all models	1200	1994 → 1997			FMD0009	R
M2 CYCLONE	1200	1998 → 2002	FMD0136	RX	FMD0009	R
RS	1200	1993 →			FMD0009	R
RS X 1	1200	2001 →			FMD0009	R
S1 LIGHTNING	1200	1998 → 2002	FMD0136	RX	FMD0009	R
S1 WHITELIGHTNING	1200	1998 → 2002			FMD0009	R
S3 THUNDERBOLT	1200	1998 → 2002	FMD0136	RX	FMD0009	R
S3T THUNDERBOLT	1200	1998 → 2002	FMD0136	RX	FMD0009	R
X1 LIGHTNING	1200	1999 → 2002			FMD0009	R
XB12R FIREBOLT	1200	2004 → 2010			FMD0009	R
XB12S LIGHTNING	1200	2004 → 2008			FMD0009	R
XB12SCG LIGHTNING	1200	2006 → 2010			FMD0009	R
XB12SS LIGHTNING LONG	1200	2006 → 2010			FMD0009	R
XB12TT SUPER TT	1200	2007 → 2010			FMD0009	R
XB12X SUPER TT	1200	2006 → 2010			FMD0009	R

10004

FERODOMOTORCYCLE DISCS
Updated on 9th Oct 2015



DISCS TYPE



DISCS TYPE

BULTACO

ASTRO	50	1999	→ 2000	FMD0310	R	FMD0313	R
LOBITO	50	1999	→ 2013	FMD0310	R	FMD0313	R
LOBITO	50	2014	→	FMD0310	R	FMD0313	R

CAGIVA

CITY	50	1992	→ 1994	FMD0006	R		
MITO	50	1998	→ 2001	FMD0309	R	FMD0312	R
PRIMA R	75	1998	→ 2001			FMD0312	R
CITY	80	1993	→	FMD0006	R		
FRECCIA C12R	125	1989	→ 1991	FMD0121	RX		
MITO	125	1991	→ 1994	FMD0111	RX		
MITO EV	125	1995	→ 2007	FMD0111	RX		
MITO SP525	125	2006	→ 2010	FMD0111	RX		
PASSING	125	1994	→	FMD0006	R		
PLANET	125	1997	→ 2007	FMD0111	RX		
RAPTOR	125	2003	→ 2010	FMD0111	RX		
SUPERCITY	125	1992	→ 2000	FMD0111	RX		
CANYON	500	1996	→ 2000	FMD0089	R		
CANYON	600	1995	→ 1999	FMD0089	R		
RIVER	600	1995	→ 1999	FMD0111	RX		
RAPTOR	650	2001	→ 2007	FMD0132 (x2)	RX		
ELEFANT	750	1994	→ 1995	FMD0089	R	FMD0009	R
ELEFANT I.E.	900	1990	→ 1992	FMD0093	R	FMD0009	R
ELEFANT I.E.	900	1993	→ 1996			FMD0009	R
ELEFANT I.E.- GT - AC	900	1991	→ 1994	FMD0089	R		
GRAN CANYON	900	1999	→ 2004	FMD0089 (x2)	R	FMD0009	R
NAVIGATOR	1000	2000	→ 2005	FMD0089 (x2)	R	FMD0009	R
RAPTOR	1000	2000	→ 2006	FMD0132 (x2)	RX		
V-RAPTOR	1000	2000	→ 2006	FMD0132 (x2)	RX		
XTRA-RAPTOR	1000	2002	→ 2004	FMD0132 (x2)	RX		

CCM

DS	644	2002	→ 2006			FMD0184	R
R30	644	2002	→ 2006			FMD0184	R

DERBI

FENIX	50	1995	→ 1998			FMD0172	R
GPR NUDE	50	2004	→ 2005	FMD0309	R		
GPR NUDE	50	2006	→ 2008	FMD0365	R		
GPR NUDE SPORT	50	2008	→	FMD0365	R		
GPR NUDE TUNING	50	2006	→ 2008	FMD0365	R		
GPR R	50	1997	→ 2001	FMD0309	R	FMD0312	R
GPR R DRD PRO EU2	50	2005	→ 2009	FMD0365	R		
GPR R EU2 - REPLIC A EU2	50	2008	→	FMD0365	R		
GPR RACING	50	2004	→	FMD0309	R		
GPR RACING EU2	50	2006	→	FMD0365	R		
GPR REPLIC A - R EU2	50	2006	→	FMD0365	R		
GPR REPLIC A 2T	50	2007	→	FMD0365	R		
GPR REPLIC A PESEK EU2	50	2007	→	FMD0365	R		
GPR SM DRD PRO EU2	50	2005	→ 2008	FMD0365	R		
SENDA	50	1994	→	FMD0311	R		
SENDA EX	50	1995	→ 1997			FMD0172	R
SENDA L	50	1999	→			FMD0172	R
SENDA L 6V	50	1994	→ 1997	FMD0311	R		
SENDA R	50	1997	→ 1998	FMD0052	R	FMD0172	R
SENDA R	50	1998	→ 1999	FMD0311	R	FMD0172	R
SENDA R 6V	50	1994	→ 1997	FMD0311	R		
SENDA R RACER	50	2002	→	FMD0311	R	FMD0172	R
SENDA R XTREAM	50	2000	→ 2001	FMD0052	R	FMD0172	R
SENDA SM DRT	50	2002	→			FMD0313	R
SENDA SM RACER	50	2002	→	FMD0311	R	FMD0172	R
SENDA SM XTREAM	50	2000	→ 2001	FMD0310	R	FMD0172	R
SENDA SR	50	1999	→ 2000	FMD0052	R	FMD0172	R
SENDA SR	50	2001	→	FMD0311	R	FMD0172	R
SENDA SUPERMOTARD	50	1997	→ 1999	FMD0311	R	FMD0172	R
SENDA SUPERMOTARD	50	2000	→	FMD0310	R		
YUMBO FDS SAVANNAH	50	1988	→	FMD0311	R		
BOULEVARD S	125	2007	→	FMD0050	R		
GPR NUDE	125	2004	→ 2006	FMD0365	R		
GPR RACING	125	2004	→ 2006	FMD0365	R		
RAMBLA	125	2009	→ 2011	FMD0050	R		
RAMBLA	250	2009	→	FMD0050	R		

DERBI



DISCS TYPE



DISCS TYPE

...DERBI

RAMBLA

300 2010 → 2011

FMD0050 (x2) R

DUCATI

JUNIOR SS	350	1991 → 1993	FMD0111	RX	FMD0023	R
MONSTER	400	1994 → 1999	FMD0111	RX	FMD0023	R
MONSTER	400	2001 → 2006	FMD0111	RX	FMD0023	R
SS SUPERSPORT	400	1992 → 1997	FMD0111	RX	FMD0023	R
SS SUPERSPORT JUNIOR	400	1992 → 1997	FMD0111 (x2)	RX	FMD0023	R
M MONSTER	600	1994 → 2002	FMD0111	RX	FMD0023	R
MONSTER	600	1994 → 2002	FMD0111	RX	FMD0023	R
SS SUPERSPORT	600	1994 → 2000	FMD0111	RX	FMD0023	R
MONSTER	620	2002 → 2005	FMD0111 (x2)	RX	FMD0023	R
MONSTER double disk	620	2005 → 2006			FMD0023	R
MONSTER single disk	620	2005 → 2006	FMD0111	RX	FMD0023	R
MULTISTRADA double disk	620	2005 → 2006			FMD0023	R
MULTISTRADA single disk	620	2005 → 2006	FMD0111	RX	FMD0023	R
SPORT	620	2003 → 2004	FMD0111 (x2)	RX	FMD0023	R
SS SUPERSPORT	620	2002 → 2005	FMD0111 (x2)	RX	FMD0023	R
MONSTER	695	2006 → 2008			FMD0023	R
MONSTER	696	2008 → 2014	FMD0111 (x2)	RX	FMD0023	R
MONSTER ABS	696	2010 → 2014	FMD0111 (x2)	RX	FMD0023	R
748	748	2002 →			FMD0180	R
748 BIPOSTO	748	2003 →			FMD0180	R
748 BIPOSTO	748	1995 → 2002	FMD0111 (x2)	RX	FMD0180	R
748 BIPOSTO - SP	748	1995 → 2001			FMD0180	R
748 R	748	2001 → 2002	FMD0147 (x2)	RX	FMD0180	R
748 R	748	2000 → 2001	FMD0111 (x2)	RX	FMD0180	R
748 S	748	1999 → 2002	FMD0111 (x2)	RX	FMD0180	R
748 SP	748	1995 → 1997	FMD0111 (x2)	RX	FMD0180	R
748 SPS	748	1998 → 1999	FMD0111 (x2)	RX	FMD0180	R
749	748	2003 → 2006			FMD0389	R
749 DARK	748	2004 → 2006			FMD0389	R
749 R	748	2004 → 2006			FMD0389	R
749 S	748	2003 → 2006			FMD0389	R
M MONSTER	750	1996 → 2001	FMD0111 (x2)	RX	FMD0023	R
MONSTER	750	1994 → 2001	FMD0111 (x2)	RX	FMD0023	R
SPORT	750	2000 → 2002	FMD0111	RX	FMD0023	R
SS SUPERSPORT	750	1991 → 2002	FMD0111 (x2)	RX	FMD0023	R
MONSTER	795	2013 →			FMD0390	R
HYPERMOTARD 796	800	2010 → 2012			FMD0390	R
MONSTER	800	2003 → 2004	FMD0111 (x2)	RX	FMD0023	R
MONSTER 796	800	2011 → 2014			FMD0390	R
MONSTER S2R	800	2005 → 2007			FMD0390	R
MONSTER S2R DARK	800	2005 → 2006			FMD0390	R
SPORT	800	2003 → 2004	FMD0111 (x2)	RX	FMD0023	R
SS SUPERSPORT	800	2003 → 2005	FMD0111 (x2)	RX	FMD0023	R
MONSTER	821	2015 →			FMD0023	R
848	848	2008 → 2010			FMD0390	R
STREETFIGHTER	848	2012 →			FMD0390	R
STREETFIGHTER S	848	2012 →			FMD0390	R
848 EVO	850	2011 → 2012			FMD0390	R
851 STRADA - SP	851	1988 → 1991	FMD0111 (x2)	RX	FMD0023	R
888 DESMOQUATTRO	888	1993 → 1994	FMD0111 (x2)	RX	FMD0023	R
888 SP	888	1990 → 1993	FMD0111 (x2)	RX	FMD0023	R
M MONSTER	900	1993 → 2001	FMD0111 (x2)	RX	FMD0023	R
MH	900	2001 → 2002			FMD0180	R
MONSTER	900	1993 → 2004	FMD0111 (x2)	RX	FMD0023	R
SL 900 SUPERLIGHT	900	1991 → 1997	FMD0111 (x2)	RX	FMD0023	R
SPORT	900	2002 →	FMD0111 (x2)	RX	FMD0023	R
SS SUPERSPORT	900	1991 → 2002	FMD0111 (x2)	RX	FMD0023	R
PASO 906	904	1989 → 1990			FMD0023	R
PASO 907 I.E.	904	1990 → 1991	FMD0121 (x2)	RX	FMD0023	R
916 BIPOSTO	916	1994 → 1998	FMD0111 (x2)	RX	FMD0180	R
916 BIPOSTO SENNA	916	1994 → 1998			FMD0180	R
916 SP	916	1994 → 1996			FMD0180	R
916 SPS	916	1997 → 1998	FMD0111 (x2)	RX	FMD0180	R
MONSTER S4	916	2001 → 2003	FMD0111 (x2)	RX	FMD0023	R
ST4	916	1998 → 2004	FMD0111 (x2)	RX	FMD0023	R
916 RACING	926	1994 → 1997			FMD0180 (x)	R
ST2	944	1997 → 2003	FMD0111 (x2)	RX	FMD0023	R
ST3	992	2004 → 2006	FMD0111 (x2)	RX	FMD0023	R
996 BIPOSTO	996	1999 → 2001	FMD0111 (x2)	RX	FMD0180	R
996 R	996	2001 →	FMD0147 (x2)	RX	FMD0180	R
996 S	996	2001 →	FMD0111 (x2)	RX	FMD0180 (x2)	R
996 SPS	996	1999 → 2000	FMD0147 (x2)	RX	FMD0180	R

DERBI

10006



DISCS TYPE



DISCS TYPE

...DUCATI

MONSTER S4R	996	2003	→ 2006	FMD0111 (x2)	RX	FMD0390	R
ST4 S	996	2001	→ 2005	FMD0111 (x2)	RX	FMD0023	R
ST4 S ABS	996	2003	→ 2003	FMD0111 (x2)	RX	FMD0023	R
ST4 S ABS	996	2004	→ 2006			FMD0023	R
998 BIPOSTO	998	2002	→ 2003	FMD0111 (x2)	RX	FMD0180 (x2)	R
998 R	998	2002	→ 2003	FMD0147 (x2)	RX	FMD0180	R
998 S (four pads)	998	2002	→ 2003	FMD0352 (x2)	RX	FMD0180	R
998 S (two pads)	998	2002	→ 2003	FMD0111	RX	FMD0180	R
999	998	2003	→ 2006			FMD0389	R
999 S	998	2003	→ 2004			FMD0389	R
999 S	998	2002	→ 2007			FMD0389	R
S4R Testastretta MONSTER	998	2007	→			FMD0390	R
S4RS Testastretta MONSTER	998	2006	→ 2007			FMD0390	R
999 R	999	2003	→ 2006			FMD0389	R
GT	1000	2006	→ 2010	FMD0111 (x2)	RX	FMD0023	R
GT TOURING	1000	2009	→	FMD0111 (x2)	RX	FMD0023	R
MONSTER	1000	2003	→ 2005	FMD0111 (x2)	RX	FMD0023	R
MONSTER S	1000	2003	→ 2005	FMD0111 (x2)	RX	FMD0023	R
MONSTER S2R	1000	2006	→ 2007	FMD0111 (x2)	RX	FMD0390	R
MONSTER S2R	1000	2007	→ 2008			FMD0390	R
MONSTER S4R	1000	2007	→ 2008			FMD0390	R
MONSTER S4RS	1000	2006	→ 2008			FMD0390	R
MONSTER S4RS TRICOLORE	1000	2008	→			FMD0390	R
MULTISTRADA	1000	2003	→ 2006			FMD0390	R
MULTISTRADA DS	1000	2005	→			FMD0390	R
MULTISTRADA DS S	1000	2005	→			FMD0390	R
MULTISTRADA S	1000	2006	→			FMD0390	R
PAUL SMART LE	1000	2006	→ 2007	FMD0111 (x2)	RX	FMD0023	R
SPORT	1000	2006	→ 2008	FMD0111 (x2)	RX	FMD0023	R
SPORT S	1000	2007	→ 2009	FMD0111 (x2)	RX	FMD0023	R
SS SUPERSPORT	1000	2003	→ 2006	FMD0111 (x2)	RX	FMD0023	R
ST3	1000	2004	→ 2006	FMD0111 (x2)	RX	FMD0023	R
ST3 S ABS	1000	2006	→ 2007	FMD0111 (x2)	RX	FMD0023	R
HYPERMOTARD	1100	2008	→ 2009			FMD0390	R
HYPERMOTARD EVO	1100	2011	→ 2012			FMD0390	R
HYPERMOTARD EVO SP	1100	2010	→ 2012			FMD0390	R
HYPERMOTARD S	1100	2008	→ 2009			FMD0390	R
MONSTER 1100 - ABS	1100	2009	→ 2010			FMD0390	R
MONSTER 1100 S	1100	2009	→ 2010			FMD0390	R
MONSTER DIESEL	1100	2013	→			FMD0390	R
MONSTER EVO	1100	2012	→ 2013			FMD0390	R
MONSTER EVO - EVO ABS	1100	2012	→ 2013			FMD0390	R
MONSTER EVO ANNIVERSARY	1100	2013	→			FMD0390	R
MONSTER S ABS	1100	2010	→			FMD0390	R
MULTISTRADA	1100	2007	→ 2009			FMD0390	R
MULTISTRADA S	1100	2007	→ 2009			FMD0390	R

FANTIC MOTOR

BIG WHEELS	50	1991	→ 1994	FMD0001	R		
GRINTA	50	1995	→ 2000	FMD0001	R		

GARELLI

BIG WHEEL	50	1993	→	FMD0001	R		
BIP-RACING	50	1994	→	FMD0001	R		
GRINTA	50	1995	→	FMD0001	R		
PONY SR	50	1992	→	FMD0001	R		
QUEENIE	50	1995	→	FMD0001	R		

GAS GAS

EC	125	1996	→ 2011			FMD0184	R
EC RACING	125	2013	→ 2014			FMD0184	R
EC- MC	125	1996	→			FMD0184	R
MC	125	1996	→ 2009			FMD0184	R
TXT	125	2001	→ 2003	FMD0375	R	FMD0378	R
TXT PRO	125	2004	→ 2013	FMD0377	R	FMD0378	R
TXT PRO RACING	125	2014	→	FMD0332	R	FMD0378	R
EC	200	2000	→ 2014			FMD0184	R
HOBBY	200	2007	→			FMD0184	R
TXT	200	2000	→ 2003	FMD0375	R	FMD0378	R
TXT PRO	200	2004	→ 2013	FMD0377	R	FMD0378	R
EC	250	1996	→ 2010			FMD0184	R
EC 2T	250	2011	→ 2014			FMD0184	R



DISCS TYPE



DISCS TYPE

...GAS GAS

EC 4T	250	2011 → 2014			FMD0184	R
EC F RACING	250	2013 → 2014			FMD0184	R
EC RACING	250	2012 → 2013			FMD0184	R
EC- MC	250	1996 →			FMD0184	R
MC	250	1996 → 2009			FMD0184	R
TXT	250	2000 → 2003	FMD0375	R	FMD0378	R
TXT PRO	250	2004 → 2013	FMD0377	R	FMD0378	R
TXT PRO RACING	250	2014 →	FMD0332	R	FMD0378	R
TXT	280	2000 → 2003	FMD0375	R	FMD0378	R
TXT	280	2004 → 2013	FMD0377	R	FMD0378	R
TXT PRO RACING	280	2014 →	FMD0332	R	FMD0378	R
EC	300	1996 → 2012			FMD0184	R
EC 2T	300	2013 → 2014			FMD0184	R
EC F RACING	300	2013 → 2014			FMD0184	R
EC RACING	300	2012 → 2013			FMD0184	R
EC- MC	300	1996 →			FMD0184	R
MC	300	1996 → 2009			FMD0184	R
TXT	300	2004 → 2009	FMD0377	R	FMD0378	R
TXT PRO RACING	300	2014 →	FMD0332	R	FMD0378	R
EC	400	2002 → 2002			FMD0184	R
EC	400	2006 → 2007			FMD0184	R
FSE	400	2002 →			FMD0184	R
MC	400	2002 → 2002			FMD0184	R
MC	400	2006 → 2007			FMD0184	R
PAMPERA	400	2006 → 2007			FMD0184	R
EC	450	2003 → 2007			FMD0184	R
EC F	450	2013 → 2014			FMD0184	R
FSE	450	2003 → 2006			FMD0184	R
FSR	450	2007 →			FMD0184	R
MC	450	2003 → 2003			FMD0184	R
MC	450	2007 → 2007			FMD0184	R

GILERA

DNA	50	2000 → 2007	FMD0053	R	FMD0022	R
DNA GP EXPERIENCE	50	2003 → 2004	FMD0053	R	FMD0022	R
EASY MOVING	50	1995 →	FMD0001	R		
GSM	50	1999 →	FMD0165	R	FMD0167	R
H@C	50	1999 →	FMD0165	R	FMD0167	R
NRG	50	1994 →	FMD0002	R		
RUNNER	50	1996 →	FMD0007	R		
RUNNER DD - SP	50	1997 → 2004	FMD0007	R	FMD0210	R
RUNNER PURE JET	50	2002 → 2006	FMD0007	R	FMD0210	R
RUNNER PURE JET ST	50	2008 →	FMD0043	R	FMD0210	R
RUNNER SP	50	1998 → 2006	FMD0007	R	FMD0210	R
RUNNER SP RACE	50	2006 →	FMD0007	R	FMD0210	R
RUNNER SP SC	50	2006 → 2007	FMD0007	R	FMD0210	R
RUNNER SP ST	50	2008 →	FMD0043	R	FMD0210	R
STALKER (post freno a disco)	50	1997 → 2004	FMD0002	R	FMD0210	R
STALKER (post freno a tamburo)	50	1997 → 2004	FMD0002	R		
STORM	50	1994 → 1995	FMD0002	R		
SURFER	50	1999 →	FMD0165	R		
TYPHOON	50	1994 → 1997	FMD0002	R		
TYPHOON X	50	1998 → 1999	FMD0002	R		
TYPHOON XR	50	2000 → 2000	FMD0002	R		
ZULU	50	2001 →	FMD0165	R	FMD0167	R
TYPHOON	80	1993 →	FMD0002	R		
DNA	125	2001 →	FMD0053	R	FMD0022	R
GFR	125	1993 → 1994	FMD0111	RX		
NEXUS EURO 3	125	2007 →	FMD0055	R		
NEXUS IE EURO 3	125	2008 → 2011	FMD0055	R		
RC TOP RALLY	125	1989 →	FMD0078	R		
RUNNER	125	1997 → 1999	FMD0007	R		
RUNNER FX - FXR	125	1997 → 2002	FMD0007	R	FMD0053	R
RUNNER SP	125	1999 →	FMD0007	R	FMD0053	R
RUNNER VX / VXR 4T	125	2001 → 2004	FMD0007	R	FMD0022	R
TYPHOON	125	1995 → 1998	FMD0002	R		
RUNNER	180	1997 → 1998	FMD0007	R		
RUNNER FXR	180	1998 →	FMD0007	R	FMD0053	R
RUNNER SP	180	1999 →	FMD0007	R	FMD0053	R
RUNNER VXR	180	2001 → 2004	FMD0007	R		
RUNNER VXR	180	2001 → 2004	FMD0007	R	FMD0022	R
RUNNER VX / VXR 4T	200	2002 →	FMD0007	R	FMD0022	R
RUNNER VXR 4T	200	2005 → 2006	FMD0007	R	FMD0022	R
RUNNER VXR 4T RACE	200	2006 →	FMD0007	R	FMD0022	R
RUNNER VXR 4T ST EURO 3	200	2008 →	FMD0007	R	FMD0022	R

10008



DISCS TYPE



DISCS TYPE

...GILERA

RUNNER VXR EURO 3	200	2007	→
NEXUS EURO 3	250	2006	→
NEXUS EURO 3	300	2008	→ 2011
NEXUS	500	2003	→ 2005
NEXUS EURO 3	500	2006	→ 2011
NEXUS SP EURO 3	500	2006	→ 2007

FMD0007	R	FMD0022	R
FMD0055	R		
FMD0055	R		
FMD0055 (x2)	R	FMD0054	R
FMD0055 (x2)	R		

HARLEY D.

XL 883 L SPORTSTER LOW	883	2007	→ 2013
XL 883 N IRON	883	2009	→ 2013
XL 883 R ROADSTER	883	2010	→ 2011
XL 883 R SPORTSTER	883	2000	→ 2003
XL 883 R SPORTSTER R	883	2005	→ 2013
XL 883 SPORTSTER CUSTOM	883	2004	→ 2010
XL SPORTSTER CUSTOM 53	883	2000	→ 2003
XLH 883 SPORTSTER	883	1970	→ 1984
XLH 883 SPORTSTER	883	1985	→ 1999
XLH 883 SPORTSTER	883	2000	→ 2006
XLH 883 SPORTSTER	883	1985	→ 1999
XLH 883 SPORTSTER HUGGER	883	2000	→ 2003
XLR 883 CUSTOM 53	883	2001	→
XL 1000	1000	1978	→
XLS 1000 ROADSTER	1000	1979	→ 1984
V-ROD VRSCB	1130	2004	→ 2006
VRSCA V-ROD	1130	2002	→ 2005
VRSCA V-ROD	1130	2006	→ 2008
XL 1200 C SPORTSTER CUSTOM	1200	2004	→ 2013
XL 1200 L SPORTSTER LOW	1200	2007	→ 2013
XL 1200 R SPORTSTER ROADSTER	1200	2004	→ 2008
XL 1200 S SPORT	1200	2000	→ 2003
XL 1200 SPORTSTER	1200	2004	→ 2006
XL 1200 SPORTSTER - FORTY EIGHT	1200	2010	→ 2011
XL 1200 SPORTSTER CUSTOM	1200	2000	→ 2003
XL 1200 SPORTSTER N NIGHTSTER	1200	2007	→ 2013
XL 1200 V - SEVENTY TWO	1200	2012	→ 2013
XL 1200 X - FORTY EIGHT	1200	2010	→ 2013
XLH 1200 SPORTSTER	1200	1987	→ 1999
XLH 1200 SPORTSTER	1200	2000	→ 2003
XLH 1200 SPORTSTER	1200	1987	→ 1999
XLH 1200 SPORTSTER SPORT	1200	1996	→ 1999
XR	1200	2008	→ 2010
XR 1200 X	1200	2010	→ 2012
VRSCAW V-ROD	1250	2008	→ 2010
VRSCDX NIGHT ROD SPECIAL	1250	2007	→ 2014
VRSCF V-ROD MUSCLE	1250	2008	→ 2014
FLH 1340 80	1340	1981	→ 1984
FLH 1340 81	1340	1987	→ 1999
FLH 1340 82	1340	1987	→ 1999
FLH 1340 83	1340	1989	→ 1999
FLH 1340 ELECTRA GLIDE	1340	1982	→ 1983
FLSTC 1340 HERITAGE SOFTAIL CLASSIC	1340	1989	→ 1999
FLSTC 1340 HERITAGE SOFTAIL CLASSIC	1340	2000	→ 2002
FLSTC FAT BOY	1340	1989	→ 1999
FLSTC FAT BOY	1340	2000	→ 2002
FLSTC HERITAGE SOFTAIL CLASSIC	1340	1989	→ 1999
FLSTC HERITAGE SOFTAIL CLASSIC	1340	1989	→ 1999
FLSTF FAT BOY	1340	1989	→ 1999
FXDWG DYNA WIDE GLIDE	1340	1993	→ 1998
FXLR 1340 LOW RIDER CUSTOM	1340	1987	→ 1999
FXLR 1340 LOW RIDER CUSTOM	1340	1987	→ 1999
FXLR 1340 LOW RIDER CUSTOM	1340	2000	→
FXR 1340 SUPER GLIDE	1340	1982	→ 1999
FXR 1340 SUPER GLIDE	1340	1982	→ 1999
FXRS 1340 LOW RIDER SPORT	1340	1987	→ 1999
FXRS 1340 LOW RIDER SPORT	1340	1987	→ 1999
FXRT 1340 SPORT GLIDE	1340	1987	→ 1999
FXRT 1340 SPORT GLIDE	1340	1987	→ 1999
FXSTC SOFTAIL CUSTOM	1340	1989	→ 1993
FXSTC SOFTAIL CUSTOM	1340	1994	→ 1995
FXSTC SOFTAIL CUSTOM	1340	1995	→ 1999
FXSTS 1340 SPRINGER SOFTAIL	1340	1989	→ 1999
FXSTS 1340 SPRINGER SOFTAIL	1340	2000	→ 2002
FXSTS 1340 SPRINGER SOFTAIL	1340	1989	→ 1999
FLHR/I ROAD KING	1450	1998	→ 1999
FLHR/I ROAD KING	1450	1998	→ 1999

FMD0266	RPF/RP/RF/R		
FMD0266	RPF/RP/RF/R		
FMD0266 (x2)	RPF/RP/RF/R		
FMD0266 (x2)	RPF/RP/RF/R		
FMD0266 (x2)	RPF/RP/RF/R		
FMD0266	RPF/RP/RF/R	FMD0267	RPF/RP/RF/R
FMD0266	RPF/RP/RF/R	FMD0267	RPF/RP/RF/R
		FMD0211	RPF/RP/RF/R
FMD0085	RPF/RP/RF/R	FMD0085	RPF/RP/RF/R
FMD0266	RPF/RP/RF/R	FMD0267	RPF/RP/RF/R
FMD0085	RPF/RP/RF/R	FMD0211	RPF/RP/RF/R
FMD0266	RPF/RP/RF/R	FMD0267	RPF/RP/RF/R
FMD0085	RPF/RP/RF/R	FMD0211	RPF/RP/RF/R
FMD0266	RPF/RP/RF/R	FMD0267	RPF/RP/RF/R
FMD0085	RPF/RP/RF/R	FMD0211	RPF/RP/RF/R
FMD0085 (x2)	RPF/RP/RF/R	FMD0211	RPF/RP/RF/R
FMD0085 (x2)	R	FMD0339	RF
FMD0338 (x2)	R	FMD0339	RF
FMD0431 (x2)	R	FMD0432	R
FMD0266	RPF/RP/RF/R	FMD0267	RPF/RP/RF/R
FMD0266 (x2)	RPF/RP/RF/R		
FMD0266 (x2)	RPF/RP/RF/R	FMD0267	RPF/RP/RF/R
FMD0266	RPF/RP/RF/R	FMD0267	RPF/RP/RF/R
FMD0266	RPF/RP/RF/R	FMD0267	RPF/RP/RF/R
FMD0266	RPF/RP/RF/R	FMD0267	RPF/RP/RF/R
FMD0266 (x2)	RPF/RP/RF/R	FMD0267	RPF/RP/RF/R
FMD0266	RPF/RP/RF/R		
FMD0085	RPF/RP/RF/R	FMD0085	RPF/RP/RF/R
FMD0266	RPF/RP/RF/R	FMD0267	RPF/RP/RF/R
FMD0085	RPF/RP/RF/R	FMD0211	RPF/RP/RF/R
FMD0085 (x2)	RPF/RP/RF/R	FMD0211	RPF/RP/RF/R
FMD0266 (x2)	RPF/RP/RF/R		
FMD0266 (x2)	RPF/RP/RF/R		
FMD0431 (x2)	R	FMD0432	R
FMD0431 (x2)	R	FMD0432	R
FMD0431 (x2)	R	FMD0432	R
FMD0085	RPF/RP/RF/R	FMD0211	RPF/RP/RF/R
FMD0085 (x2)	RPF/RP/RF/R	FMD0211	RPF/RP/RF/R
FMD0085 (x2)	RPF/RP/RF/R	FMD0211	RPF/RP/RF/R
FMD0085	RPF/RP/RF/R	FMD0211	RPF/RP/RF/R
FMD0085	RPF/RP/RF/R	FMD0211	RPF/RP/RF/R
FMD0085	RPF/RP/RF/R	FMD0211	RPF/RP/RF/R
FMD0085	RPF/RP/RF/R	FMD0211	RPF/RP/RF/R
FMD0085	RPF/RP/RF/R	FMD0211	RPF/RP/RF/R
FMD0085	RPF/RP/RF/R	FMD0211	RPF/RP/RF/R
FMD0085	RPF/RP/RF/R	FMD0211	RPF/RP/RF/R
FMD0085	RPF/RP/RF/R	FMD0211	RPF/RP/RF/R
FMD0085	RPF/RP/RF/R	FMD0211	RPF/RP/RF/R
FMD0085	RPF/RP/RF/R	FMD0211	RPF/RP/RF/R
FMD0085	RPF/RP/RF/R	FMD0211	RPF/RP/RF/R
FMD0085	RPF/RP/RF/R	FMD0211	RPF/RP/RF/R
FMD0085	RPF/RP/RF/R	FMD0211	RPF/RP/RF/R
FMD0085	RPF/RP/RF/R	FMD0211	RPF/RP/RF/R
FMD0085	RPF/RP/RF/R	FMD0211	RPF/RP/RF/R
FMD0085	RPF/RP/RF/R	FMD0211	RPF/RP/RF/R
FMD0085	RPF/RP/RF/R	FMD0211	RPF/RP/RF/R
FMD0085	RPF/RP/RF/R	FMD0211	RPF/RP/RF/R
FMD0085 (x2)	RPF/RP/RF/R	FMD0211	RPF/RP/RF/R
FMD0085 (x2)	RPF/RP/RF/R	FMD0085	RPF/RP/RF/R

HARLEY D.



DISCS TYPE



DISCS TYPE

...HARLEY D.

FLHR/I ROAD KING	1450	2000	→ 2007	FMD0266 (x2)	RPF/RP/RF/R	FMD0267	RPF/RP/RF/R
FLHRCI ROAD KING CLASSIC	1450	2000	→ 2006	FMD0266 (x2)	RPF/RP/RF/R	FMD0267	RPF/RP/RF/R
FLHT/I ELECTRA GLIDE STANDARD	1450	1998	→ 1999	FMD0085 (x2)	RPF/RP/RF/R	FMD0211	RPF/RP/RF/R
FLHT/I ELECTRA GLIDE STANDARD	1450	2000	→ 2006	FMD0266 (x2)	RPF/RP/RF/R	FMD0267	RPF/RP/RF/R
FLHTCUI ELECTRA GLIDE ULTRA CLASSIC	1450	2000	→ 2006	FMD0266 (x2)	RPF/RP/RF/R	FMD0267	RPF/RP/RF/R
FLSTC HERITAGE SOFTAIL CLASSIC	1450	2000	→ 2006	FMD0266	RPF/RP/RF/R	FMD0267	RPF/RP/RF/R
FLSTF FAT BOY	1450	2000	→ 2006	FMD0266	RPF/RP/RF/R	FMD0267	RPF/RP/RF/R
FLSTF/I FAT BOY	1450	2003	→ 2006	FMD0391	RF		
FLSTS HERITAGE SPRINGER	1450	2000	→ 2003	FMD0266	RPF/RP/RF/R	FMD0267	RPF/RP/RF/R
FLTR/I ROAD GLIDE	1450	1998	→ 1999	FMD0085 (x2)	RPF/RP/RF/R	FMD0211	RPF/RP/RF/R
FLTR/I ROAD GLIDE	1450	1998	→ 1999	FMD0085	RPF/RP/RF/R	FMD0085	RPF/RP/RF/R
FLTR/I ROAD GLIDE	1450	2000	→ 2007	FMD0266 (x2)	RPF/RP/RF/R	FMD0267	RPF/RP/RF/R
FXD DYNA SUPER GLIDE	1450	2006	→ 2007	FMD0431	R	FMD0267	RPF/RP/RF/R
FXD DYNA SUPER GLIDE	1450	2000	→ 2003	FMD0266	RPF/RP/RF/R	FMD0267	RPF/RP/RF/R
FXDB DYNA STREET BOB	1450	2006	→ 2007	FMD0430	R	FMD0433	R
FXDC DYNA SUPER GLIDE CUSTOM	1450	2006	→ 2007	FMD0431	R	FMD0267	RPF/RP/RF/R
FXDL DYNA LOW RIDER	1450	2000	→ 2006	FMD0266 (x2)	RPF/RP/RF/R	FMD0267	RPF/RP/RF/R
FXDS DYNA SUPER GLIDE SPORT	1450	1998	→ 1999	FMD0085 (x2)	RPF/RP/RF/R	FMD0211	RPF/RP/RF/R
FXDS DYNA SUPER GLIDE SPORT	1450	2000	→	FMD0266 (x2)	RPF/RP/RF/R	FMD0267	RPF/RP/RF/R
FXDWG DYNA WIDE GLIDE	1450	1993	→ 1999	FMD0085	RPF/RP/RF/R	FMD0211	RPF/RP/RF/R
FXDWG DYNA WIDE GLIDE	1450	1993	→ 1999	FMD0085	RPF/RP/RF/R	FMD0085	RPF/RP/RF/R
FXDWG DYNA WIDE GLIDE	1450	2006	→ 2007	FMD0431	R	FMD0267	RPF/RP/RF/R
FXDWG DYNA WIDE GLIDE	1450	2000	→ 2005	FMD0266	RPF/RP/RF/R	FMD0267	RPF/RP/RF/R
FXDX DYNA SUPER GLIDE T-SPORT	1450	2000	→ 2005	FMD0266 (x2)	RPF/RP/RF/R	FMD0267	RPF/RP/RF/R
FXRS SPORT GLIDE	1450	1984	→ 1986	FMD0085	RPF/RP/RF/R	FMD0211	RPF/RP/RF/R
FXRS SPORT GLIDE	1450	1984	→ 1986	FMD0085	RPF/RP/RF/R	FMD0085	RPF/RP/RF/R
FXST SOFTAIL STANDARD	1450	2000	→ 2007	FMD0266	RPF/RP/RF/R	FMD0267	RPF/RP/RF/R
FXSTB/I NIGHT TRAIN	1450	2000	→ 2007	FMD0266	RPF/RP/RF/R	FMD0267	RPF/RP/RF/R
FXSTD/I SOFTAIL DEUCE	1450	2000	→ 2006	FMD0266	RPF/RP/RF/R	FMD0267	RPF/RP/RF/R
FXSTS/I SPRINGER SOFTAIL	1450	2000	→ 2006	FMD0266	RPF/RP/RF/R	FMD0267	RPF/RP/RF/R
FXDX DYNA SUPER GLIDE T-SPORT	1500	2001	→	FMD0266 (x2)	RPF/RP/RF/R	FMD0267	RPF/RP/RF/R
FXST SOFTAIL STANDARD	1500	2001	→	FMD0266	RPF/RP/RF/R	FMD0267	RPF/RP/RF/R
FLHR/I ROAD KING	1584	2008	→ 2010	FMD0430 (x2)	R	FMD0433	R
FLHRC ROAD KING CLASSIC	1584	2007	→	FMD0266 (x2)	RPF/RP/RF/R	FMD0267	RPF/RP/RF/R
FLHRC ROAD KING CLASSIC	1584	2008	→ 2013	FMD0430 (x2)	R	FMD0433	R
FLHT/I ELECTRA GLIDE STANDARD	1584	2007	→	FMD0266 (x2)	RPF/RP/RF/R	FMD0267	RPF/RP/RF/R
FLHT/I ELECTRA GLIDE STANDARD	1584	2008	→ 2010	FMD0430 (x2)	R	FMD0433	R
FLHTC ELECTRA GLIDE CLASSIC	1584	2008	→ 2013	FMD0430 (x2)	R	FMD0433	R
FLHTCU ELECTRA GLIDE ULTRA CLASSIC	1584	2007	→ 2008	FMD0266 (x2)	RPF/RP/RF/R	FMD0267	RPF/RP/RF/R
FLHTCU ELECTRA GLIDE ULTRA CLASSIC	1584	2009	→ 2013	FMD0430 (x2)	R	FMD0433	R
FLHX STREET GLIDE	1584	2006	→ 2007	FMD0266 (x2)	RPF/RP/RF/R	FMD0267	RPF/RP/RF/R
FLHX STREET GLIDE	1584	2008	→ 2013	FMD0430 (x2)	R	FMD0433	R
FLSTB FAT BOY SPECIAL	1584	2010	→ 2013	FMD0266	RPF/RP/RF/R	FMD0267	RPF/RP/RF/R
FLSTB SOFTAIL CROSS BONES	1584	2008	→ 2011	FMD0266	RPF/RP/RF/R	FMD0267	RPF/RP/RF/R
FLSTC HERITAGE SOFTAIL CLASSIC	1584	2007	→ 2014	FMD0266	RPF/RP/RF/R	FMD0267	RPF/RP/RF/R
FLSTF FAT BOY	1584	2007	→ 2014	FMD0266	RPF/RP/RF/R	FMD0267	RPF/RP/RF/R
FLSTN SOFTAIL DELUXE	1584	2005	→ 2014	FMD0266	RPF/RP/RF/R	FMD0267	RPF/RP/RF/R
FLSTSE CVO SOFTAIL CONVERTIBLE	1584	2010	→ 2011	FMD0266	RPF/RP/RF/R	FMD0267	RPF/RP/RF/R
FLTR/I ROAD GLIDE	1584	2008	→ 2009	FMD0430 (x2)	R	FMD0433	R
FXCW ROCKER	1584	2008	→ 2009	FMD0266	RPF/RP/RF/R	FMD0267	RPF/RP/RF/R
FXCWC ROCKER C	1584	2008	→ 2013	FMD0266	RPF/RP/RF/R	FMD0267	RPF/RP/RF/R
FXD DYNA STREET BOB	1584	2006	→ 2010	FMD0431	R	FMD0407	R
FXD DYNA SUPER GLIDE	1584	2008	→ 2010	FMD0431	R	FMD0267	RPF/RP/RF/R
FXDB DYNA STREET BOB	1584	2008	→ 2014	FMD0430	R	FMD0433	R
FXDC DYNA SUPER GLIDE CUSTOM	1584	2008	→ 2014	FMD0431	R	FMD0267	RPF/RP/RF/R
FXDF FAT BOB	1584	2008	→ 2014	FMD0431 (x2)	R	FMD0267	RPF/RP/RF/R
FXDL DYNA LOW RIDER	1584	2007	→ 2010	FMD0431	R	FMD0267	RPF/RP/RF/R
FXDWG DYNA WIDE GLIDE	1584	2008	→ 2014	FMD0431	R	FMD0267	RPF/RP/RF/R
FXS BLACKLINE	1584	2011	→ 2013	FMD0266	RPF/RP/RF/R	FMD0267	RPF/RP/RF/R
FXSTB NIGHT TRAIN	1584	2008	→ 2010	FMD0266	RPF/RP/RF/R	FMD0267	RPF/RP/RF/R
FXSTC SOFTAIL CUSTOM	1584	2008	→ 2010	FMD0266	RPF/RP/RF/R	FMD0267	RPF/RP/RF/R
FXSTSS CVO SOFTAIL SPRINGER	1584	2009	→	FMD0266 (x2)	RPF/RP/RF/R	FMD0267	RPF/RP/RF/R
FLD SWITCHBACK	1690	2012	→ 2014	FMD0431	R	FMD0267	RPF/RP/RF/R
FLHP ROAD KING POLICE	1690	2010	→ 2011	FMD0430 (x2)	R	FMD0433	R
FLHTK ELECTRA GLIDE ULTRA LIMITED	1690	2010	→ 2013	FMD0430 (x2)	R	FMD0433	R
FLHTP ELECTRA GLIDE POLICE	1690	2009	→ 2011	FMD0430 (x2)	R	FMD0433	R
FLHX STREET GLIDE	1690	2010	→ 2013	FMD0430 (x2)	R	FMD0433	R
FLS SOFTAIL SLIM	1690	2012	→ 2014	FMD0266	RPF/RP/RF/R	FMD0267	RPF/RP/RF/R
FLTRU	1690	2011	→	FMD0430 (x2)	R	FMD0433	R
FLTRUSE SCREAM EAGLE ROAD GLIDE	1690	2011	→	FMD0430 (x2)	R	FMD0433	R
FLTRX ROAD GLIDE CUSTOM	1690	2010	→ 2013	FMD0430 (x2)	R	FMD0433	R
FLHTCUSE BLK ULTRA CLASSIC ELECTRA GLIDE	1800	2008	→ 2013	FMD0430 (x2)	R	FMD0433	R
FLHTCUSE CVO ULTRA CLASSIC ELECTRA GLIDE	1800	2009	→ 2013	FMD0430 (x2)	R	FMD0433	R
FLHXSE CVO STREET GLIDE	1800	2010	→ 2011	FMD0430 (x2)	R	FMD0433	R

HARLEY D.

10010



DISCS TYPE

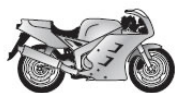


DISCS TYPE

HONDA

BALI	50	1993 → 1997	FMD0002	R		
DIO GP	50	1991 →	FMD0006	R		
DIO SR	50	1990 →	FMD0006	R		
DIO ZX	50	1992 →	FMD0006	R		
HM CRE DERAPAGE	50	2001 → 2009	FMD0404	R		
HM CRE DERAPAGE RR	50	2007 → 2009	FMD0404	R		
HSC all models	50	1992 →	FMD0006	R		
LIFE DIO ZX	50	1994 →	FMD0006	R		
SFX	50	1995 →	FMD0006	R		
SH FIFTY	50	1996 →	FMD0013	R		
SKY	50	1997 →	FMD0097	R		
SKY VETRO	50	2000 →	FMD0097	R		
SZX X 8RS	50	1998 → 2004	FMD0435	R	FMD0436	R
SZX X 8RX	50	1998 → 2004	FMD0435	R	FMD0436	R
YUPI	50	1990 →	FMD0097	R		
CR R	80	1997 → 2002	FMD0094	R	FMD0214	R
MTX R	80	1987 →	FMD0091	R		
CR	85	2003 → 2007	FMD0094	R	FMD0214	R
YUPI	90	1992 →	FMD0002	R		
BALI SJ	100	1996 →	FMD0097	R		
SH	100	1997 →	FMD0013	R		
NEW LEAD	107	2008 →	FMD0093	R		
@ NES	125	2009 →	FMD0425	R		
@ NES (tambuto post/rear drum)	125	2000 →	FMD0057	R		
CBR R	125	2003 → 2011	FMD0010	R	FMD0090	R
CBR R	125	2012 → 2014			FMD0090	R
CH SPACY	125	1998 →	FMD0097 (x2)	R		
CR R	125	1985 → 1988			FMD0185	R
CR R	125	1989 → 1994	FMD0091	R	FMD0212	R
CR R - E	125	1995 → 2001			FMD0212	R
CR R - E	125	2002 → 2007	FMD0095	R	FMD0197	R
CR SUPERMOTARD	125	2000 →			FMD0221	R
DYLAN	125	2001 →	FMD0057	R		
FORZA ABS	125	2015 →	FMD0012	R		
NH LEAD	125	1988 →	FMD0006	R		
PANTHEON FES	125	1998 → 2002	FMD0425	R		
PANTHEON FES	125	2003 → 2007	FMD0425	R	FMD0014	R
PSi	125	2006 →	FMD0057	R		
RS GP	125	1991 → 2005	FMD0112	RX		
RS R	125	1991 → 2005	FMD0112	RX		
RS R GP	125	1991 → 2005	FMD0112	RX		
S-WING FES	125	2008 →	FMD0425	R	FMD0014	R
SH (rear disc version)	125	2009 →	FMD0425	R	FMD0009	R
SH (tambuto post/rear drum)	125	2000 → 2008	FMD0057	R		
SH i	125	2009 → 2012	FMD0425	R	FMD0009	R
SH SPORTY	125	2011 →	FMD0008	R		
SILVER WING	125	2007 → 2011	FMD0008	R		
SILVER WING ABS	125	2007 → 2011	FMD0008	R		
XLR	125	1993 →	FMD0091	R		
XLR R	125	1997 → 2003	FMD0091	R		
XLV VARADERO	125	2001 → 2011			FMD0090	R
@ NES	150	2009 →	FMD0425	R		
@ NES (tambuto post/rear drum)	150	2000 →	FMD0057	R		
CRF F	150	2003 → 2008	FMD0015	R		
CRF R	150	2007 → 2015	FMD0094	R	FMD0214	R
DYLAN SES	150	2001 →	FMD0057	R		
PANTHEON FES	150	1998 → 2002	FMD0425	R		
PANTHEON FES	150	2003 → 2007	FMD0425	R	FMD0014	R
Psi	150	2006 →	FMD0057	R		
S-WING FES	150	2007 →	FMD0425	R	FMD0014	R
SH (rear disc version)	150	2009 →	FMD0425	R	FMD0009	R
SH (tambuto post/rear drum)	150	2000 → 2008	FMD0057	R		
SH i	150	2005 → 2006	FMD0057	R		
SH i	150	2009 → 2012	FMD0425	R		
SH SPORTY	150	2011 →	FMD0008	R		
CRF	230	2004 → 2009	FMD0095	R		
CRF F	230	2004 → 2008	FMD0015	R		
CRF TRAIL	230	2004 → 2010	FMD0015	R		
SL	230	1997 → 2001	FMD0015	R	FMD0090	R
AX 1	250	1989 → 1994			FMD0212	R
CB F HORNET	250	1996 → 2001	FMD0112	RX	FMD0090	R
CB TWO FIFTY	250	1993 → 2005	FMD0009	R		
CBR R	250	2011 → 2013			FMD0014	R
CH SPACY (spessore disco 4mm)	250	2000 →	FMD0271	R		
CN	250	1987 → 1998	FMD0271	R		
CR R	250	1989 → 1994	FMD0091	R	FMD0212	R

HONDA



DISCS TYPE



DISCS TYPE

...HONDA

CR R - E	250	1995 → 1996			FMD0212	R
CR R - E	250	1997 → 2001			FMD0221	R
CR R - E	250	2002 → 2010	FMD0095	R	FMD0197	R
CR SUPERMOTARD	250	1998 → 2001			FMD0221	R
CRE IE	250	2007 → 2008	FMD0095	R	FMD0197	R
CRE- F - X	250	2007 →			FMD0197	R
CRF L	250	2013 → 2014			FMD0090	R
CRF R - E	250	2004 → 2014	FMD0095	R	FMD0197	R
CRF R - E	250	2015 →	FMD0095	R	FMD0197	R
CRF R EFI	250	2010 →			FMD0197	R
CRF R- X	250	2004 → 2007			FMD0197	R
CRF R- X SUPERMOTARD	250	2004 → 2007			FMD0197	R
CRF X	250	2004 →	FMD0095	R	FMD0197	R
CRM R	250	1991 → 1993	FMD0091	R	FMD0090	R
CRM R	250	1994 → 1996	FMD0091	R		
FORESIGHT	250	1997 → 1998	FMD0425	R		
FORESIGHT	250	1999 → 2007	FMD0425	R	FMD0014	R
FORZA NSS	250	2000 → 2004	FMD0425	R	FMD0014	R
FORZA X NSS	250	2005 → 2007	FMD0425	R	FMD0009	R
FORZA X NSS	250	2008 →	FMD0409	R	FMD0009	R
FORZA XE NSS	250	2005 → 2007	FMD0425	R	FMD0009	R
FORZA XE NSS	250	2008 →	FMD0409	R	FMD0009	R
HORNET	250	1997 →	FMD0112	RX	FMD0014	R
JAZZ	250	2001 → 2004	FMD0425	R	FMD0014	R
RS GP	250	1990 → 1997	FMD0112 (x2)	RX		
RS R	250	1990 → 1997	FMD0112 (x2)	RX		
RS R GP	250	1990 → 1997	FMD0112 (x2)	RX		
TRX EX SPORTRAX	250	2001 → 2007	FMD0270 (x2)	R		
TRX R	250	1988 → 1989	FMD0270 (x2)	R		
TRX X	250	1987 → 1992			FMD0355	R
TRX X	250	1988 → 1992	FMD0270 (x2)	R	FMD0355	R
TSR	250	1999 →	FMD0112 (x2)	RX		
VF V TWIN MAGNA	250	1997 → 1997	FMD0427	R		
VTR	250	1998 →			FMD0014	R
VTZ XELVIS	250	1992 →	FMD0093	R		
XELVIS V-25	250	1997 →	FMD0093	R	FMD0014	R
XL R	250	1984 → 1992	FMD0091	R		
XLR R BAJA	250	1988 → 1990	FMD0015	R	FMD0011	R
XLR R BAJA	250	1991 →	FMD0015	R	FMD0011	R
XR	250	2000 → 2003	FMD0015	R		
XR BAJA	250	2000 → 2003	FMD0015	R		
XR R	250	1986 → 1988	FMD0091	R		
XR R	250	1988 → 1990	FMD0015	R		
XR R	250	1991 → 2004	FMD0015	R	FMD0090	R
XR R, S	250	1994 →	FMD0015	R	FMD0090	R
CRE IE	290	2007 → 2008	FMD0095	R	FMD0197	R
CRF X	300	2008 → 2012	FMD0095	R	FMD0197	R
FORZA ABS	300	2014 → 2015	FMD0012	R		
SH i	300	2006 → 2014	FMD0409	R	FMD0409	R
SH i ABS	300	2006 →	FMD0409	R	FMD0409	R
TRX EX	300	1993 → 2006	FMD0270 (x2)	R	FMD0355	R
TRX EX	300	2007 → 2008			FMD0355	R
TRX EX SPORTRAX	300	2001 →			FMD0355	R
CB	350	1987 →	FMD0087 (x2)	R		
XL R	350	1985 →	FMD0091	R		
XL X	350	1989 →	FMD0091	R		
XR R	350	1983 → 1984	FMD0091	R		
CB	400	1989 → 1991			FMD0090	R
CB N	400	1982 → 1988	FMD0112 (x2)	RX	FMD0014	R
CBR F2	400	1985 → 1987	FMD0112 (x2)	RX		
CBR R HURRICANE	400	1986 →			FMD0217	R
NSR	400	1985 → 1988	FMD0012 (x2)	R	FMD0217	R
SILVER WING	400	2006 → 2008	FMD0012	R	FMD0203	R
SILVER WING	400	2009 →			FMD0203	R
SW-T	400	2009 →			FMD0203	R
SW-T ABS	400	2009 →			FMD0203	R
TRX EX	400	1999 → 2007	FMD0270 (x2)	R		
TRX EX FOURTRAX	400	1999 → 2002	FMD0270 (x2)	R		
VFR R	400	1985 → 1986			FMD0217	R
VFR R	400	1986 → 1987	FMD0012 (x2)	R		
VFR R	400	1987 → 1988	FMD0010 (x2)	R		
VFR R	400	1989 → 1993	FMD0112 (x2)	RX		
VFR Z	400	1986 → 1987	FMD0010 (x2)	R		
XR R	400	1995 → 2005	FMD0015	R	FMD0090	R
XR R	400	2006 → 2007			FMD0090	R
XR SUPERMOTARD	400	2000 → 2007			FMD0090	R

HONDA

10012



DISCS TYPE



DISCS TYPE

...HONDA

XR R	440	2006 → 2007			FMD0090	R
XR R (DALLARA)	440	1999 →	FMD0015	R		
CB S	450	1985 → 1989	FMD0087 (x2)	R		
CRF EFI	450	2009 → 2012	FMD0095	R	FMD0197	R
CRF R - E	450	2002 → 2014	FMD0095	R	FMD0197	R
CRF R - E	450	2015 →			FMD0197	R
CRF R EFI	450	2013 →	FMD0095	R	FMD0197	R
CRF SUPERMOTARD	450	2002 → 2003			FMD0197	R
CRF X	450	2004 → 2007	FMD0095	R	FMD0197	R
CRM X SUPERMOTARD	450	2007 →			FMD0197	R
TRX R	450	2004 → 2007	FMD0270 (x2)	R		
CB	500	1994 → 1996	FMD0093	R		
CB	500	1997 → 2003	FMD0093	R	FMD0009	R
CB S	500	1998 → 2002			FMD0009	R
CBF ABS	500	2004 → 2007	FMD0093	R		
CR E	500	1988 → 1988	FMD0091	R		
CR R	500	1987 → 1989			FMD0185	R
CR R	500	1990 → 1994	FMD0091	R	FMD0212	R
CR R	500	1995 → 2001			FMD0212	R
CR R	500	2002 →	FMD0095	R	FMD0197	R
CRM X SUPERMOTARD	500	2007 →			FMD0197	R
CX	500	1982 → 1985	FMD0073 (x2)	R		
VF F	500	1984 → 1987	FMD0409 (x2)	R	FMD0409	R
VF F-F2	500	1983 → 1984	FMD0012 (x2)	R	FMD0012	R
XBR S	500	1985 → 1989	FMD0088	R		
XR R	500	1983 → 1986	FMD0090	R		
CB F HORNET	600	1998 → 1999			FMD0090	R
CB F HORNET	600	2000 → 2006	FMD0137 (x2)	RX	FMD0090	R
CB F HORNET S	600	2000 → 2004	FMD0137 (x2)	RX	FMD0090	R
CBF	600	2004 → 2007	FMD0093 (x2)	R		
CBR F	600	1987 → 1990	FMD0010 (x2)	R	FMD0217	R
CBR F	600	1991 → 1994	FMD0010 (x2)	R	FMD0090	R
CBR F	600	1995 → 1998	FMD0112 (x2)	RX	FMD0090	R
CBR F	600	1999 → 2000	FMD0113 (x2)	RX	FMD0090	R
CBR F SPORT	600	2001 → 2002	FMD0134 (x2)	RX	FMD0090	R
CBR F3	600	2003 →	FMD0113 (x2)	RX	FMD0014	R
CBR F4	600	2001 → 2006	FMD0134 (x2)	RX	FMD0090	R
CBR RR	600	2003 → 2006	FMD0140 (x2)	RX	FMD0090	R
CBR RR	600	2007 → 2014	FMD0140 (x2)	RX	FMD0014	R
CBR RR - ABS	600	2009 → 2014	FMD0140 (x2)	RX	FMD0014	R
SILVER WING	600	2001 → 2006	FMD0012	R	FMD0203	R
SILVER WING	600	2007 → 2007	FMD0010	R	FMD0203	R
SILVER WING ABS	600	2003 → 2007	FMD0010	R	FMD0203	R
SILVER WING ABS	600	2008 →			FMD0203	R
SW-T	600	2011 →			FMD0203	R
XL L	600	1985 → 1987	FMD0015	R		
XL R	600	1983 → 1987	FMD0015	R		
XL V TRANSALP	600	1997 → 1999	FMD0087 (x2)	R	FMD0009	R
XL V TRANSALP	600	1991 → 1996	FMD0088 (x2)	R	FMD0009	R
XL V TRANSALP (Rear Drum Model)	600	1987 → 1990	FMD0088	R		
XR L - R	600	1993 → 2000	FMD0015	R		
XR R	600	1985 → 1990	FMD0015	R		
XR R	600	1991 → 1999	FMD0015	R	FMD0090	R
XR R	600	1999 → 2000			FMD0090	R
FMX	650	2005 → 2008			FMD0011	R
FX VIGOR	650	1999 → 2003	FMD0010	R		
NT HAWK GT	650	1988 → 1990	FMD0427	R		
NTV DEAUVILLE	650	1998 → 2005	FMD0093 (x2)	R	FMD0096	R
NTV REVERE	650	1988 → 1998	FMD0427	R		
NX DOMINATOR	650	1988 → 1992	FMD0087	R	FMD0014	R
NX DOMINATOR	650	1993 → 2004	FMD0087	R	FMD0011	R
NX DOMINATOR 34 HP	650	1997 → 2002	FMD0087	R		
NX DOMINATOR J-K	650	1988 → 1992	FMD0087	R	FMD0014	R
SLR	650	1996 → 1999	FMD0088	R		
SLR	650	1997 → 1998	FMD0088	R	FMD0011	R
VIGOR	650	1999 → 2002	FMD0010	R	FMD0011	R
XL V TRANSALP	650	2000 → 2007	FMD0087 (x2)	R	FMD0009	R
XR L	650	1993 → 2012	FMD0087	R	FMD0014	R
XR R	650	2008 →	FMD0015	R		
XR R	650	2000 → 2007	FMD0015	R	FMD0216	R
XR V AFRICA TWIN	650	1988 → 1990	FMD0089	R	FMD0009	R
NTV DEAUVILLE	680	2006 → 2012	FMD0093 (x2)	R	FMD0096	R
XL V TRANSALP	700	2008 → 2011	FMD0087 (x2)	R	FMD0009	R
XL V TRANSALP ABS	700	2008 → 2011	FMD0087 (x2)	R	FMD0009	R
CB F	750	1983 → 1984	FMD0093 (x2)	R		
CB N SEVEN FIFTY	750	1992 → 2002	FMD0093 (x2)	R	FMD0009	R

HONDA



DISCS TYPE



DISCS TYPE

...HONDA

CBX F	750	1983	→ 1988	FMD0010 (x2)	R	FMD0096	R
VF C MAGNA	750	1994	→ 2003	FMD0427 (x2)	R		
VF SHADOW	750	1994	→ 2007	FMD0427	R		
VFR F	750	1986	→ 1987	FMD0010 (x2)	R	FMD0012	R
VFR F	750	1990	→ 1993	FMD0093 (x2)	R	FMD0220	R
VFR F	750	1994	→ 1997	FMD0112 (x2)	RX	FMD0220	R
VFR F	750	1988	→ 1989	FMD0093 (x2)	R	FMD0012	R
VFR R	750	1988	→ 1991	FMD0123 (x2)	RX		
VT BLACK WINDOW	750	2001	→ 2004	FMD0093	R		
VT C SHADOW	750	1986	→ 2009	FMD0093	R		
VT C2 SHADOW A.C.E.	750	1997	→ 2008	FMD0093	R		
VT SHADOW	750	2004	→	FMD0093	R		
XLV R	750	1983	→ 1987	FMD0010	R		
XRV AFRICA TWIN	750	1990	→ 2002	FMD0033 (x2)	R	FMD0059	R
XRV R AFRICA TWIN	750	1990	→ 1993	FMD0033 (x2)	R	FMD0059	R
CROSSRUNNER	800	2011	→ 2014	FMD0113 (x2)	RX		
PACIFIC COAST	800	1989	→ 1992	FMD0096 (x2)	R		
VFR FI	800	1998	→ 1999			FMD0220	R
VFR V-TEC	800	1998	→ 2010	FMD0113 (x2)	RX	FMD0220	R
CB F HORNET	900	2002	→ 2006	FMD0134 (x2)	RX	FMD0009	R
CB HORNET	900	2002	→ 2007			FMD0009	R
CBR F	900	2003	→	FMD0113 (x2)	RX		
CBR RR	900	1992	→ 1993	FMD0113 (x2)	RX	FMD0090	R
CBR RR	900	1994	→ 1997	FMD0112 (x2)	RX	FMD0090	R
CBR RR	900	1998	→ 1999	FMD0128 (x2)	RX	FMD0014	R
CBR RR	929	2000	→ 2001	FMD0130 (x2)	RX	FMD0090	R
CBR RR	954	2002	→ 2003	FMD0130 (x2)	RX	FMD0090	R
CB	1000	1993	→ 1993	FMD0123 (x2)	RX		
CB 1000 R	1000	2008	→ 2013	FMD0140 (x2)	RX		
CB 1000 R - ABS	1000	2009	→ 2014	FMD0140 (x2)	RX		
CB F Big one	1000	1993	→ 1995			FMD0096	R
CBR F	1000	1987	→ 1992	FMD0093 (x2)	R	FMD0096	R
CBR F	1000	1993	→ 1997	FMD0093 (x2)	R	FMD0012	R
CBR F-FP	1000	1993	→ 1999	FMD0093 (x2)	R	FMD0409	R
CBR RR	1000	2006	→ 2007	FMD0135 (x2)	RX	FMD0014	R
CBR RR	1000	2008	→ 2015	FMD0411 (x2)	RX	FMD0014	R
CBR RR	1000	2004	→ 2005	FMD0140 (x2)	RX	FMD0014	R
CBR RR - ABS	1000	2009	→ 2015	FMD0411 (x2)	RX	FMD0014	R
VF F	1000	1984	→ 1988	FMD0010 (x2)	R		
VF R	1000	1986	→ 1987	FMD0010 (x2)	R		
VTR F FIRESTORM	1000	1997	→ 2007	FMD0112 (x2)	RX	FMD0090	R
VTR F SUPER HAWK	1000	1997	→ 2007	FMD0112 (x2)	RX	FMD0090	R
VTR SP1 RC51	1000	2000	→ 2001	FMD0135 (x2)	RX	FMD0090	R
VTR SP2 RC51	1000	2002	→ 2004	FMD0135 (x2)	RX	FMD0090	R
XLV VARADERO	1000	2003	→ 2011	FMD0113 (x2)	RX	FMD0409	R
XLV VARADERO	1000	1999	→ 2002	FMD0113 (x2)	RX	FMD0059	R
XLV VARADERO ABS	1000	2004	→ 2011			FMD0409	R
CB SF X ELEVEN (X11)	1100	2000	→ 2003			FMD0409	R
CB X-11	1100	2000	→ 2003	FMD0131 (x2)	RX	FMD0012	R
CBR XX	1100	1997	→ 1998			FMD0409	R
CBR XX	1100	2005	→ 2007	FMD0131 (x2)	RX	FMD0409	R
CBR XX	1100	2007	→ 2008			FMD0409	R
CBR XX	1100	1999	→ 2004	FMD0131 (x2)	RX	FMD0409	R
GL GOLD WING	1100	1982	→ 1983	FMD0098 (x2)	R	FMD0098	R
ST PAN EUROPEAN	1100	1989	→ 1990	FMD0093 (x2)	R		
ST PAN EUROPEAN	1100	1990	→ 1991	FMD0093 (x2)	R	FMD0403	R
ST PAN EUROPEAN	1100	1991	→ 1996	FMD0093 (x2)	R	FMD0403	R
ST PAN EUROPEAN	1100	1997	→ 2001	FMD0427 (x2)	R		
ST PAN EUROPEAN ABS	1100	1992	→ 1995	FMD0093 (x2)	R	FMD0403	R
ST PAN EUROPEAN ABS-TCS-CBS	1100	1996	→ 1997	FMD0093 (x2)	R	FMD0403	R
ST PAN EUROPEAN ABS-TCS-CBS	1100	1997	→ 2001	FMD0093 (x2)	R		
VT SHADOW	1100	1992	→ 1995	FMD0427	R		
VT SHADOW ACE-AERO-C2-C3	1100	1995	→ 1998	FMD0427	R	FMD0096	R
X ELEVEN	1100	2000	→ 2003	FMD0131 (x2)	RX	FMD0012	R
CB	1300	2001	→ 2002	FMD0131 (x2)	RX	FMD0096	R
CB	1300	2003	→ 2008	FMD0140 (x2)	RX		
CB	1300	1998	→ 2000			FMD0096	R
CB F SUPER FOUR	1300	2003	→ 2004			FMD0409	R
CB SUPER BOL DOR	1300	2005	→ 2008			FMD0409	R
CB SUPERFOUR	1300	2005	→ 2009			FMD0409	R
CB X4	1300	1997	→ 2000	FMD0128 (x2)	RX	FMD0096	R
CTX ABS	1300	2014	→ 2015	FMD0140 (x2)	RX		
GL F6C VALKYRIE	1500	1997	→ 2003	FMD0113 (x2)	RX		
GL GOLDWING	1500	1990	→ 2000	FMD0098 (x2)	R	FMD0403	R
GL GOLDWING	1500	1988	→ 1989	FMD0098 (x2)	R		
GLX	1500	1988	→	FMD0098 (x2)	R		

HONDA

10014



DISCS TYPE



DISCS TYPE

...HONDA

GL GOLD WING

1800 2001 → 2014

FMD0113 (x2) RX

HRD

GS 97

250 1997 →

FMD0157 R

FMD0258 R

HUSABERG

TE 125 2012 → 2014

FMD0184 R

FE 250 2013 → 2014

FMD0184 R

TE 250 2011 → 2014

FMD0184 R

TE 300 2011 → 2014

FMD0184 R

FE 350 2013 → 2014

FMD0184 R

FE 390 2010 → 2011

FMD0184 R

FE 390 2011 → 2012

FMD0017 RF

FMD0184 R

FE 390 2013 →

FMD0017 RF

FC 400 1999 → 2002

FMD0017 RF

FE 400 2000 → 2003

FMD0017 RF

FMD0184 R

FE E 400 2001 → 2003

FMD0017 RF

FMD0184 R

FE S - E 400 1998 → 1999

FMD0017 RF

FS C 400 2001 → 2003

FMD0017 RF

FMD0184 R

FS E 400 2001 → 2003

FMD0017 RF

FMD0184 R

FC 450 1998 → 2003

FMD0017 RF

FE 450 2009 → 2012

FMD0017 RF

FMD0184 R

FE 450 2013 → 2014

FMD0017 RF

FMD0184 R

FE E 450 2004 →

FMD0017 RF

FS C 450 2003 → 2008

FMD0184 R

FS E 450 2003 → 2008

FMD0184 R

FS E - C 450 2003 → 2004

FMD0143 RX

FMD0184 R

FS E - C 450 2005 → 2006

FMD0184 R

FX 450 2003 → 2009

FMD0017 RF

FX 450 2010 →

FMD0017 RF

FMD0184 R

FC E 470 2001 → 2002

FMD0017 RF

FX E 470 2001 → 2002

FMD0017 RF

FC 501 1998 → 1999

FMD0017 RF

FC 501 1999 → 2003

FMD0017 RF

FMD0184 R

FE E 501 1999 → 2004

FMD0017 RF

FMD0184 R

FE S 501 1999 → 2004

FMD0017 RF

FMD0184 R

FE S - E 501 1998 → 2004

FMD0017 RF

FE 510 2013 → 2014

FMD0184 R

FC 550 2001 → 2005

FMD0017 RF

FMD0184 R

FC 550 2006 →

FMD0017 RF

FE E 550 2004 → 2008

FMD0017 RF

FMD0184 R

FE 570 2009 → 2010

FMD0017 RF

FE 570 2010 → 2012

FMD0017 RF

FMD0184 R

FS 570 2010 →

FMD0017 RF

FMD0184 R

FC 600 1999 → 2003

FMD0017 RF

FMD0184 R

FE E 600 1999 → 2002

FMD0017 RF

FMD0184 R

FE S 600 1999 → 2003

FMD0017 RF

FMD0184 R

FE E 650 2001 → 2008

FMD0017 RF

FMD0184 R

FE E 650 2006 → 2008

FMD0184 R

FS C 650 2001 → 2008

FMD0184 R

FS E 650 2001 → 2008

FMD0184 R

FS E - C 650 2001 → 2004

FMD0017 RF

FMD0184 R

FS E - C 650 2005 → 2006

FMD0184 R

FX E 650 2001 → 2005

FMD0017 RF

FMD0184 R

FX E 650 2006 →

FMD0017 RF

HUSQVARNA

WRS 50 1998 →

FMD0002 R

CR 65 2010 → 2014

FMD0100 R

CR 125 1991 → 1996

FMD0225 R

FMD0179 R

CR 125 1996 → 2003

FMD0018 R

FMD0190 R

CR 125 2004 → 2013

FMD0018 R

TC 125 2014 →

FMD0017 RF

FMD0184 R

TE 125 2014 → 2015

FMD0017 RF

FMD0184 R

TE 4T 125 2011 → 2013

FMD0017 RF

WR 125 1991 → 1997

FMD0179 R

WR 125 1998 → 2003

FMD0018 R

FMD0190 R

WR 125 2004 → 2013

FMD0018 R

WRE 125 1995 → 2004

FMD0018 R

FMD0190 R

WRE 125 2005 → 2013

FMD0018 R

WRE DUAL 125 1995 → 2003

FMD0018 R

FMD0190 R

CR 250 1996 → 2003

FMD0018 R

FMD0190 R

HUSQVARNA



DISCS TYPE



DISCS TYPE

...HUSQVARNA

CR	250	2004 → 2013	FMD0018	R		
FC	250	2014 → 2015	FMD0017	RF	FMD0184	R
FE	250	2014 → 2015	FMD0017	RF	FMD0184	R
TC	250	2002 → 2013	FMD0018	R		
TC	250	2014 →	FMD0017	RF	FMD0184	R
TE	250	2002 → 2003	FMD0018	R	FMD0190	R
TE	250	2004 → 2013	FMD0018	R		
TE	250	2014 → 2015	FMD0017	RF	FMD0184	R
TXC	250	2010 → 2013	FMD0018	R		
WR	250	1991 → 1997	FMD0225	R	FMD0179	R
WR	250	1998 → 2003	FMD0018	R	FMD0190	R
WR	250	2004 → 2006	FMD0018	R	FMD0204	R
WR	250	2007 → 2013	FMD0018	R		
TC	300	2014 →	FMD0017	RF		
TE	300	2014 → 2015	FMD0017	RF	FMD0184	R
FC	350	2014 → 2015	FMD0017	RF	FMD0184	R
FE	350	2014 → 2015	FMD0017	RF	FMD0184	R
TE	350	1990 → 1995			FMD0179	R
TE	350	1996 → 2013	FMD0225	R	FMD0179	R
WR	360	2000 → 2001	FMD0018	R	FMD0190	R
WR	360	2002 →	FMD0018	R	FMD0204	R
TC	400	2002 →	FMD0018	R	FMD0204	R
TE	410	1995 → 2000	FMD0225	R	FMD0179	R
TE	410	2000 → 2001	FMD0018	R	FMD0190	R
TE	410	2002 → 2013	FMD0018	R	FMD0204	R
TC	449	2011 → 2013	FMD0018	R		
TE	449	2011 → 2013	FMD0018	R		
FC	450	2014 → 2015	FMD0017	RF	FMD0184	R
FE	450	2014 → 2015	FMD0017	RF	FMD0184	R
TC	450	2002 → 2003	FMD0018	R	FMD0204	R
TC	450	2004 → 2010	FMD0018	R		
TE	450	2002 → 2010	FMD0018	R		
TE	450	2014 →	FMD0017	RF		
FE	501	2014 → 2015	FMD0017	RF	FMD0184	R
FE	510	2014 →			FMD0184	R
TC	510	2002 → 2003	FMD0018	R	FMD0204	R
TC	510	2004 → 2010	FMD0018	R		
TE	510	2002 → 2010	FMD0018	R		
TE	511	2011 → 2013	FMD0018	R		
TC	570	2001 → 2002	FMD0018	R	FMD0204	R
TC	570	2002 → 2013	FMD0018	R		
TE	570	2001 → 2002	FMD0018	R	FMD0204	R
TE	570	2002 → 2013	FMD0018	R		
TC	610	1991 → 1997			FMD0179	R
TE	610	1991 → 1997	FMD0225	R	FMD0179	R
TE E	610	2000 → 2003	FMD0018	R	FMD0190	R
TE E	610	2004 → 2013	FMD0018	R	FMD0204	R
TR 650 STRADA	650	2013 → 2014			FMD0207	R
TR 650 TERRA	650	2013 → 2014			FMD0207	R
NUDA	900	2012 → 2013	FMD0083 (x2)	R	FMD0407	R
NUDA R	900	2012 → 2013	FMD0083 (x2)	R	FMD0407	R
NUDA R ABS	900	2013 →	FMD0083 (x2)	R	FMD0407	R

ITALJET

BAZOOKA 2	50	1992 →	FMD0001	R		
DRAGSTER	50	1997 →	FMD0019	R		
FORMULA	50	1994 → 1996	FMD0019	R		
FORMULA	50	1997 →	FMD0019	R		
PISTA	50	1992 →	FMD0001	R		
SCOOP	50	1993 →	FMD0001	R		
YANKEE 8	50	1994 →	FMD0001	R		
DRAGSTER	125	1997 →	FMD0019	R		
FORMULA	125	1994 → 1996	FMD0019	R		
FORMULA	125	1997 →	FMD0019	R		
DRAGSTER	180	1997 →	FMD0019	R		
JUPITER	250	2000 →			FMD0178	R

KAWASAKI

KX	65	2000 →	FMD0107	R	FMD0107	R
KX	80	1993 → 1996	FMD0106	R	FMD0251	R
KX	80	1993 → 2000	FMD0106	R	FMD0227	R
KX	85	2001 → 2015	FMD0106	R	FMD0227	R
KX	100	2001 → 2014	FMD0106	R	FMD0227	R
KX	125	2000 → 2002	FMD0021	R	FMD0195	R

10016



DISCS TYPE



DISCS TYPE

...KAWASAKI

KX	125	2003 → 2005			FMD0239	R
KX	125	2006 →			FMD0239	R
EL	250	1990 →	FMD0104	R		
EX R NINJA	250	1986 → 1987	FMD0104 (x2)	R		
KLX	250	1993 → 1994			FMD0340	R
KLX R	250	1993 → 1994			FMD0340	R
KX	250	2000 → 2002	FMD0021	R	FMD0195	R
KX	250	2003 → 2008			FMD0239	R
KX F	250	2004 → 2014			FMD0239	R
KX F	250	2015 →			FMD0239	R
ZZR	250	1992 →	FMD0115	RX		
ELIMINATOR	400	1988 → 1989	FMD0218 (x2)	R		
KFX	400	2002 → 2006	FMD0357 (x2)	R		
ZX	400	1988 → 1989	FMD0101 (x2)	R		
ZXR	400	1989 → 1990	FMD0115 (x2)	RX	FMD0233	R
ZXR	400	1991 → 2002	FMD0114 (x2)	RX	FMD0233	R
ZXR (ZX 400L) RR	400	1992 → 2002			FMD0233	R
ZXR R	400	1991 → 1994			FMD0233	R
KLX R	450	2008 → 2015			FMD0239	R
KX F	450	2006 → 2014			FMD0239	R
KX F	450	2015 →			FMD0239	R
EN VULCAN	500	1990 → 1993	FMD0020	R		
ER5	500	1996 → 2006	FMD0218	R		
GPZ S	500	1987 → 1988	FMD0218	R		
GPZ S	500	1989 → 2006	FMD0101 (x2)	R		
KLE	500	2006 → 2007			FMD0234	R
KLE	500	1991 → 2007	FMD0105	R	FMD0234	R
KX	500	2000 → 2004	FMD0021	R	FMD0195	R
GPZ	550	1981 → 1987	FMD0074 (x2)	R		
ZEPHYR	550	1993 → 2001	FMD0115 (x2)	RX	FMD0233	R
KLR	570	1984 → 1991	FMD0103	R		
ELIMINATOR	600	1986 → 1994	FMD0218	R		
ELIMINATOR	600	1995 → 1999	FMD0115	RX		
GPZ R	600	1984 → 1990	FMD0101 (x2)	R		
KLR	600	1984 → 1986	FMD0103	R		
KLR ELECTRIC STARTER	600	1985 → 1994	FMD0103	R		
KLR S	600	1990 → 1992	FMD0103	R		
ZX	600	1988 → 1990	FMD0101 (x2)	R		
ZX6R NINJA	600	2007 → 2014	FMD0350 (x2)	RX	FMD0237	R
ZX6R NINJA	600	1995 → 1997	FMD0115 (x2)	RX		
ZX6R NINJA	600	1998 → 2001	FMD0115 (x2)	RX	FMD0237	R
ZX6RR NINJA	600	2005 → 2006	FMD0350 (x2)	RX	FMD0237	R
ZX6RR NINJA	600	2003 → 2004			FMD0237	R
ZZR	600	1990 → 1992	FMD0115 (x2)	RX		
ZZR	600	1993 → 2005	FMD0115 (x2)	RX	FMD0233	R
ZZR	600	2005 → 2006	FMD0115 (x2)	RX		
ZZR (ZX E6F)	600	2006 → 2007			FMD0233	R
ZX6R 636 NINJA	636	2005 → 2006	FMD0350 (x2)	RX	FMD0237	R
ZX6R 636 NINJA	636	2002 → 2004	FMD0115 (x2)	RX	FMD0237	R
ZX6R NINJA	636	2002 → 2002	FMD0115 (x2)	RX	FMD0237	R
ZX6R NINJA	636	2005 → 2006	FMD0350 (x2)	RX	FMD0237	R
ZX6R NINJA	636	2013 → 2015	FMD0410 (x2)	RX	FMD0237	R
ZX6R NINJA	636	2003 → 2004			FMD0237	R
ZX6R NINJA ABS	636	2013 → 2015	FMD0410 (x2)	RX	FMD0237	R
ER6F	650	2006 → 2015	FMD0350 (x2)	RX	FMD0237	R
ER6N	650	2006 → 2015	FMD0350	RX	FMD0237	R
KL TENGAI	650	1989 → 1992	FMD0328	R	FMD0234	R
KLR	650	1987 → 1994			FMD0234	R
KLR	650	1995 → 2004	FMD0328	R	FMD0234	R
KLR	650	2005 → 2007			FMD0234	R
KLR A	650	1987 → 1989			FMD0234	R
KLR B1-B3 Tengai	650	1989 → 1991			FMD0234	R
KLX	650	1993 → 1996			FMD0340	R
VERSYS	650	2007 → 2014	FMD0350 (x2)	RX	FMD0237	R
GPX	750	1987 → 1989	FMD0076 (x2)	R	FMD0233	R
GPX R	750	1986 → 1987			FMD0233	R
GPZ R	750	1985 → 1987	FMD0101 (x2)	R		
GPZ TURBO	750	1983 → 1985			FMD0104	R
GPZ UNITRAK	750	1983 → 1984	FMD0101 (x2)	R	FMD0104	R
GPZ UNITRAK	750	1985 → 1988	FMD0101 (x2)	R		
Z 750	750	2004 → 2006	FMD0115 (x2)	RX	FMD0237	R
Z 750	750	2007 → 2012	FMD0350 (x2)	RX		
Z 750 ABS	750	2007 → 2012	FMD0350 (x2)	RX		
Z 750 R	750	2011 → 2012	FMD0350	RX		
Z 750 R - ABS	750	2011 → 2012	FMD0350 (x2)	RX		
Z 750 S	750	2005 → 2006	FMD0115 (x2)	RX	FMD0237	R

KAWASAKI



DISCS TYPE



DISCS TYPE

...KAWASAKI

Z 750TURBO	750	1984 → 1986	FMD0218 (x2)	R	FMD0101	R
ZEPHYR	750	1991 → 1999	FMD0115 (x2)	RX		
ZR7	750	1999 → 2003	FMD0115 (x2)	RX	FMD0233	R
ZR7S	750	2001 → 2003	FMD0115 (x2)	RX	FMD0233	R
ZX7R NINJA	750	1989 → 1995	FMD0114 (x2)	RX	FMD0199	R
ZX7R NINJA	750	1996 → 2003	FMD0116 (x2)	RX	FMD0199	R
ZX7RR NINJA	750	1996 → 2002	FMD0116 (x2)	RX	FMD0199	R
ZX7RR NINJA	750	2003 →	FMD0116 (x2)	RX		
ZXR	750	1989 → 1995	FMD0114 (x2)	RX	FMD0199	R
ZXR L	750	1993 → 1995	FMD0116 (x2)	RX	FMD0199	R
ZXR R	750	1993 → 1995	FMD0116 (x2)	RX	FMD0199	R
ZXR R	750	1989 → 1992	FMD0114 (x2)	RX	FMD0199	R
Z 800	800	2013 → 2015	FMD0410 (x2)	RX		
Z 800 ABS	800	2013 → 2015	FMD0410 (x2)	RX		
Z 800e	800	2013 → 2015	FMD0410 (x2)	RX		
Z 800e ABS	800	2013 → 2015	FMD0410 (x2)	RX		
ELIMINATOR	900	1985 → 1987	FMD0218 (x2)	R	FMD0101	R
GPZ NINJA	900	1984 → 1986	FMD0218 (x2)	R	FMD0101	R
GPZ R	900	1990 → 2003	FMD0115 (x2)	RX		
GPZ R	900	1984 → 1989	FMD0218 (x2)	R	FMD0101	R
ZX-9 R NINJA	900	1994 → 1997			FMD0199	R
ZX9R NINJA	900	1994 → 1997	FMD0116 (x2)	RX	FMD0199	R
ZX9R NINJA	900	1998 → 1999			FMD0237	R
ZX9R NINJA	900	2000 → 2001	FMD0114 (x2)	RX	FMD0237	R
ZX9R NINJA	900	2002 → 2003	FMD0116 (x2)	RX	FMD0237	R
ELIMINATOR	1000	1986 → 1990	FMD0218 (x2)	R	FMD0101	R
GPX R	1000	1986 → 1989	FMD0218 (x2)	R		
GTR	1000	1994 → 2006	FMD0115 (x2)	RX	FMD0218	R
GTR	1000	1986 → 1993	FMD0101 (x2)	R	FMD0199	R
VERSYS	1000	2012 → 2014	FMD0350 (x2)	RX		
VERSYS ABS	1000	2015 →	FMD0350 (x2)	RX		
Z 1000	1000	1981 → 1983			FMD0020	R
Z 1000	1000	2007 → 2015	FMD0350 (x2)	RX		
Z 1000	1000	2003 → 2006	FMD0115 (x2)	RX	FMD0237	R
Z 1000 - ABS	1000	2007 → 2013	FMD0350 (x2)	RX		
Z 1000 - ABS	1000	2014 → 2015	FMD0410 (x2)	RX		
Z 1000 SX	1000	2011 → 2015	FMD0350 (x2)	RX		
Z 1000 SX ABS	1000	2011 → 2015	FMD0350 (x2)	RX		
Z1000	1000	2014 →	FMD0410	RX		
Z1000 - ABS	1000	2014 →	FMD0410	RX		
ZL	1000	1986 → 1988	FMD0218 (x2)	R	FMD0101	R
ZX-10R	1000	2004 → 2007	FMD0350 (x2)	RX	FMD0237	R
ZX-10R	1000	2008 → 2015	FMD0410 (x2)	RX	FMD0237	R
ZX-10R ABS	1000	2011 → 2015	FMD0410	RX	FMD0237	R
GPZ	1100	1995 → 1998	FMD0115 (x2)	RX		
ZEPHYR	1100	1993 → 1995	FMD0114 (x2)	RX		
ZEPHYR	1100	1996 → 1998	FMD0114 (x2)	RX	FMD0199	R
ZR ZEPHYR	1100	1996 → 1997			FMD0199	R
ZRX	1100	1997 → 2000	FMD0114 (x2)	RX	FMD0341	R
ZZR	1100	1990 → 1992	FMD0114 (x2)	RX		
ZZR	1100	1993 → 1999	FMD0116 (x2)	RX	FMD0235	R
ZRX	1200	2001 → 2006	FMD0114 (x2)	RX		
ZRX R	1200	2001 → 2006	FMD0114 (x2)	RX	FMD0341	R
ZRX R - S	1200	2007 → 2008			FMD0341	R
ZRX S	1200	2001 → 2006	FMD0114 (x2)	RX	FMD0341	R
ZX12R NINJA	1200	2004 → 2006	FMD0115 (x2)	RX	FMD0238	R
ZX12R NINJA	1200	2000 → 2003	FMD0116 (x2)	RX	FMD0238	R
ZZR	1200	2002 → 2005	FMD0116 (x2)	RX		
GTR	1400	2007 → 2015	FMD0410 (x2)	RX		
ZZR	1400	2006 → 2007	FMD0410 (x2)	RX		
ZZR ABS	1400	2008 → 2014	FMD0410 (x2)	RX		
VN MEAN STREAK	1500	2002 → 2003	FMD0116 (x2)	RX		
KTM						
KROSS	50	1996 →	FMD0002	R		
SX	65	1998 → 2014	FMD0100	R	FMD0228	R
SXS	65	2012 → 2013	FMD0100	R	FMD0228	R
XC	65	2008 → 2009	FMD0100	R	FMD0228	R
MX	80	2000 → 2002	FMD0100	R	FMD0228	R
SX	85	2003 → 2006	FMD0399	R	FMD0400	R
SX	85	2003 → 2010			FMD0400	R
XC	85	2007 → 2009			FMD0400	R
SX	105	2004 → 2007	FMD0399	R	FMD0400	R
SX	105	2008 → 2010			FMD0400	R
SX	105	2011 →			FMD0400	R

KAWASAKI

10018



DISCS TYPE



DISCS TYPE

...KTM

XC	105	2008 → 2010			FMD0400	R
ECX-SX	125	1998 → 1999	FMD0017	RF	FMD0184	R
EXC	125	1990 → 1993	FMD0017	RF		
EXC	125	1998 → 2014	FMD0017	RF	FMD0184	R
EXC	125	2015 →	FMD0017	RF	FMD0184	R
EXC SIX DAYS	125	2004 → 2008	FMD0017	RF		
EXC SIX DAYS	125	2009 → 2014	FMD0017	RF	FMD0184	R
EXC SIX DAYS	125	2015 →	FMD0017	RF	FMD0184	R
EXC-SX	125	2000 → 2007	FMD0017	RF	FMD0184	R
EXC/EGS	125	1994 → 1997	FMD0017	RF		
EXE	125	2000 → 2011	FMD0017	RF		
GS	125	1988 → 1992			FMD0184	R
GS	125	1993 → 1997	FMD0017	RF	FMD0184	R
MX	125	1988 → 1991	FMD0278	R	FMD0184	R
MX	125	1992 → 2000	FMD0017	RF	FMD0184	R
STING	125	1998 →	FMD0143	RX	FMD0184	R
SX	125	1993 → 2014	FMD0017	RF	FMD0184	R
SX	125	2015 →	FMD0017	RF	FMD0184	R
SXS	125	2000 → 2010	FMD0017	RF	FMD0184	R
SX	144	2007 → 2010	FMD0017	RF	FMD0184	R
SX	150	2008 → 2014	FMD0017	RF	FMD0184	R
SX	150	2015 →	FMD0017	RF	FMD0184	R
XC	150	2011 → 2015	FMD0017	RF		
EGS	200	1998 → 1999	FMD0017	RF		
EXC	200	1998 → 2014	FMD0017	RF	FMD0184	R
EXC	200	2008 → 2014	FMD0017	RF	FMD0184	R
EXC	200	2015 →	FMD0017	RF	FMD0184	R
MXC	200	1998 → 2003			FMD0184	R
SX	200	2008 →			FMD0184	R
SX	200	2003 → 2007	FMD0017	RF	FMD0184	R
XC W	200	2006 → 2009			FMD0184	R
XC W	200	2011 → 2015	FMD0017	RF		
EGS	250	1994 → 1999	FMD0017	RF		
EXC	250	1994 → 1997	FMD0017	RF		
EXC	250	1998 → 2014	FMD0017	RF	FMD0184	R
EXC	250	2015 →	FMD0017	RF	FMD0184	R
EXC F	250	2003 → 2006			FMD0184	R
EXC F	250	2007 → 2014	FMD0017	RF	FMD0184	R
EXC F	250	2015 →			FMD0184	R
EXC F SIX DAYS	250	2007 → 2008	FMD0017	RF		
EXC F SIX DAYS	250	2009 → 2014	FMD0017	RF	FMD0184	R
EXC F SIX DAYS	250	2015 →			FMD0184	R
EXC G	250	2004 → 2009			FMD0184	R
EXC RACING (4T)	250	2000 → 2006	FMD0017	RF		
EXC SIX DAYS	250	2004 → 2008	FMD0017	RF		
EXC SIX DAYS	250	2009 → 2014	FMD0017	RF	FMD0184	R
EXC SIX DAYS	250	2015 →			FMD0184	R
GS	250	1988 → 1992	FMD0278	R	FMD0184	R
GS	250	1993 → 1997	FMD0017	RF	FMD0184	R
GS	250	1998 → 2000	FMD0017	RF		
MX	250	1988 → 1991	FMD0278	R	FMD0184	R
MX	250	1992 → 2013	FMD0017	RF	FMD0184	R
MXC	250	1998 → 2003			FMD0184	R
SX	250	1993 → 2014	FMD0017	RF	FMD0184	R
SX	250	2015 →	FMD0017	RF	FMD0184	R
SX F	250	2003 → 2004			FMD0184	R
SX F	250	2005 → 2014	FMD0017	RF	FMD0184	R
SX F	250	2015 →	FMD0017	RF	FMD0184	R
SXS	250	2001 → 2003	FMD0017	RF		
SXS	250	2003 → 2010			FMD0184	R
SXS F	250	2006 → 2009			FMD0184	R
XC (2T)	250	1994 → 2015	FMD0017	RF		
XC F	250	2007 → 2013	FMD0017	RF	FMD0184	R
XC W	250	2006 → 2010			FMD0184	R
XC W	250	2011 → 2012	FMD0017	RF	FMD0184	R
XC W	250	2013 →	FMD0017	RF		
XCF W	250	2012 → 2013	FMD0017	RF		
XCF W	250	2014 →	FMD0017	RF		
EXC	300	1994 → 1996	FMD0017	RF		
EXC	300	1997 → 2013	FMD0017	RF	FMD0184	R
EXC	300	2014 →			FMD0184	R
EXC EGS	300	1993 → 1999	FMD0017	RF		
EXC SIX DAYS (2T)	300	2006 → 2008	FMD0017	RF		
EXC SIX DAYS (2T)	300	2009 → 2013	FMD0017	RF	FMD0184	R
EXC SIX DAYS (2T)	300	2014 → 2015			FMD0184	R
EXC-SX	300	1997 → 2002	FMD0017	RF	FMD0184	R



DISCS TYPE



DISCS TYPE

...KTM

GS	300	1991 → 1996	FMD0017	RF	FMD0184	R
GS	300	1997 → 2000	FMD0017	RF		
MX	300	1991 → 1992			FMD0184	R
MXC	300	1998 → 2005			FMD0184	R
SX	300	1993 → 2000	FMD0017	RF	FMD0184	R
SX	300	2001 → 2003			FMD0184	R
XC (2T)	300	2006 → 2010			FMD0184	R
XC (2T)	300	2011 → 2012	FMD0017	RF	FMD0184	R
XC W	300	2006 → 2012			FMD0184	R
EXC F	350	2010 → 2011			FMD0184	R
EXC F	350	2012 → 2014	FMD0017	RF	FMD0184	R
EXC F	350	2015 →	FMD0017	RF	FMD0184	R
EXC F SIX DAYS	350	2011 → 2012			FMD0184	R
EXC F SIX DAYS	350	2012 → 2013	FMD0017	RF	FMD0184	R
EXC F SIX DAYS	350	2014 →			FMD0184	R
GS	350	1993 → 2000	FMD0017	RF	FMD0184	R
SX-F	350	2011 → 2014	FMD0017	RF	FMD0184	R
SX-F	350	2015 →			FMD0184	R
XC-F	350	2011 → 2012	FMD0017	RF		
XCF-W	350	2011 → 2013	FMD0017	RF		
EXC	360	1996 → 1997	FMD0017	RF		
SX	360	1996 → 1997	FMD0017	RF		
EXC	380	1998 → 2002	FMD0017	RF	FMD0184	R
MXC	380	1998 → 2001	FMD0017	RF	FMD0184	R
MXC	380	2001 → 2002	FMD0017	RF		
SX	380	1998 → 2002	FMD0017	RF	FMD0184	R
EGS	400	1996 → 1999	FMD0017	RF	FMD0184	R
EXC	400	1994 → 2005	FMD0017	RF	FMD0184	R
EXC	400	2006 → 2011			FMD0184	R
EXC G	400	2004 → 2006			FMD0184	R
EXC RACING	400	2000 → 2007	FMD0017	RF		
EXC-G RACING	400	2004 → 2007	FMD0017	RF		
EXC-G RACING	400	2008 →	FMD0017	RF		
MXC	400	2000 → 2001	FMD0017	RF		
MXC	400	2002 →	FMD0017	RF		
SX	400	2000 → 2002	FMD0017	RF	FMD0184	R
SX	400	2003 →	FMD0017	RF		
SX RACING	400	2002 →	FMD0017	RF		
SXC	400	1999 → 2000	FMD0017	RF		
XC W	400	2007 → 2009			FMD0184	R
EXC	450	2008 → 2014			FMD0184	R
EXC	450	2015 →			FMD0184	R
EXC	450	2003 → 2007	FMD0017	RF	FMD0184	R
EXC R	450	2008 → 2009	FMD0017	RF	FMD0184	R
EXC R	450	2009 → 2010	FMD0017	RF		
EXC R	450	2011 →	FMD0017	RF		
EXC RACING	450	2003 → 2007	FMD0017	RF		
EXC SIX DAYS	450	2009 → 2015			FMD0184	R
EXC-R RACING (USA)	450	2011 →	FMD0017	RF		
MXC	450	2003 → 2006	FMD0017	RF	FMD0184	R
MXC	450	2007 →	FMD0017	RF		
SMR	450	2004 → 2005	FMD0143	RX	FMD0184	R
SMR	450	2005 → 2013			FMD0184	R
SMR	450	2014 →			FMD0184	R
SX	450	2003 → 2005	FMD0017	RF		
SX	450	2006 →	FMD0017	RF		
SX F	450	2015 →			FMD0184	R
SX-F	450	2003 → 2014	FMD0017	RF	FMD0184	R
SX-F FACTORY REPLICA	450	2012 →	FMD0017	RF		
SXS	450	2003 → 2010			FMD0184	R
SXS F	450	2003 → 2010			FMD0184	R
XC	450	2006 → 2007	FMD0017	RF		
XC	450	2007 → 2009			FMD0184	R
XC F	450	2007 → 2009			FMD0184	R
XC G	450	2006 →			FMD0184	R
XC W	450	2007 → 2008			FMD0184	R
XC W	450	2008 → 2009	FMD0017	RF	FMD0184	R
XC W	450	2010 →	FMD0017	RF		
XC-W SIX DAYS (USA)	450	2011 →	FMD0017	RF		
EXC	500	2011 → 2012			FMD0184	R
EXC	500	2012 → 2013	FMD0017	RF	FMD0184	R
EXC	500	2013 → 2014			FMD0184	R
EXC	500	2015 →			FMD0184	R
EXC SIX DAYS	500	2011 → 2015			FMD0184	R
EXC/MX	500	1992 → 1995	FMD0017	RF		
LC4 EXC/EGS	500	1992 →	FMD0017	RF		

10020



DISCS TYPE



DISCS TYPE

...KTM

MX	500	1989 → 1991			FMD0184	R
MX	500	1992 → 1992			FMD0184	R
SX	500	1993 → 1995			FMD0184	R
XC-W	500	2012 → 2013	FMD0017	RF		
SX F	505	2007 → 2009	FMD0017	RF	FMD0184	R
XC F	505	2007 → 2009	FMD0017	RF	FMD0184	R
EXC	520	2000 → 2002	FMD0017	RF	FMD0184	R
EXC RACING	520	2000 → 2001	FMD0017	RF		
EXC RACING	520	2002 →	FMD0017	RF		
MXC	520	2001 → 2002	FMD0017	RF	FMD0184	R
MXC	520	2003 →	FMD0017	RF		
SX	520	2003 →	FMD0017	RF		
SX	520	2000 → 2002	FMD0017	RF	FMD0184	R
EXC	525	2007 → 2008			FMD0184	R
EXC	525	2003 → 2007	FMD0017	RF	FMD0184	R
EXC RACING	525	2003 → 2007	FMD0017	RF		
MXC	525	2003 → 2005	FMD0017	RF	FMD0184	R
SMR	525	2004 → 2005	FMD0143	RX	FMD0184	R
SX	525	2003 → 2006	FMD0017	RF	FMD0184	R
SX	525	2006 → 2007	FMD0017	RF		
XC	525	2006 → 2007	FMD0017	RF	FMD0184	R
XC	525	2007 → 2008			FMD0184	R
XC DESERT RACING	525	2006 → 2007	FMD0017	RF	FMD0184	R
XC G	525	2006 → 2008			FMD0184	R
XC W	525	2006 → 2008			FMD0184	R
EXC	530	2010 → 2011			FMD0184	R
EXC R	530	2008 → 2009	FMD0017	RF	FMD0184	R
EXC R	530	2010 →	FMD0017	RF		
EXC SIX DAYS	530	2009 →			FMD0184	R
EXC-R RACING (USA)	530	2011 →	FMD0017	RF		
XC-W	530	2008 → 2010	FMD0017	RF		
XC-W	530	2011 →	FMD0017	RF		
XC-W SIX DAYS	530	2011 →	FMD0017	RF		
XC-W SIX DAYS (USA)	530	2011 →	FMD0017	RF		
SXC	540	1998 → 1999	FMD0017	RF		
SXC	540	1999 → 2000	FMD0017	RF	FMD0184	R
SXS	540	2001 → 2006			FMD0184	R
SMR	560	2006 → 2008			FMD0184	R
GS	600	1993 → 2000	FMD0017	RF	FMD0184	R
LC4	600	1990 → 1990	FMD0017	RF		
LC4	600	1991 → 1992	FMD0017	RF	FMD0184	R
LC4	600	1992 → 1993	FMD0017	RF		
MX	600	1990 → 1992			FMD0184	R
DUKE	620	1995 → 1998	FMD0143	RX	FMD0184	R
EGS-LC4	620	1996 → 2002	FMD0143	RX	FMD0184	R
LC4 ADVENTURE	620	1997 → 1998	FMD0279	RF	FMD0184	R
LC4 RXC	620	1996 → 1997	FMD0017	RF		
LC4 SC	620	1998 → 2004	FMD0017	RF		
LC4 SC SUPERCOMP	620	1998 → 2001	FMD0017	RF	FMD0184	R
LC4 SC SUPERCOMP	620	2002 → 2004			FMD0184	R
LC4 SUPERMOTO	620	1999 → 2001	FMD0017	RF	FMD0184	R
LC4 SX	620	1995 → 1999	FMD0017	RF		
LC4 SC SUPERCOMP	625	2002 →	FMD0017	RF	FMD0184	R
LC4 SUPERMOTO	625	2002 → 2004			FMD0184	R
LC4 SXC	625	2003 → 2007	FMD0017	RF		
SMC	625	2005 → 2007	FMD0143	RX	FMD0184	R
SMC	625	2008 →			FMD0184	R
SXC	625	2003 → 2007	FMD0017	RF	FMD0184	R
SXC	625	2008 →			FMD0184	R
DUKE II	640	1999 → 2002	FMD0143	RX	FMD0184	R
DUKE II	640	2003 → 2006	FMD0111	RX		
LC4 ADVENTURE	640	2001 → 2003			FMD0184	R
LC4 ADVENTURE	640	2004 → 2007	FMD0279 (x2)	RF	FMD0184	R
LC4 ADVENTURE	640	1998 → 2000	FMD0279	RF	FMD0184	R
LC4 ENDURO	640	1999 → 2007	FMD0279	RF	FMD0184	R
LC4 SUPERMOTO	640	1998 → 1999	FMD0017	RF	FMD0184	R
LC4 SUPERMOTO	640	2000 → 2007	FMD0143	RX	FMD0184	R
SMC	660	2003 → 2007	FMD0143	RX	FMD0184	R
DUKE	690	2008 → 2013	FMD0111 (x2)	RX		
SUPERMOTO	690	2007 → 2009	FMD0143 (x2)	RX		
SUPERMOTO PRESTIGE	690	2007 → 2008	FMD0352 (x2)	RX		
LC8 ADVENTURE	950	2002 → 2006	FMD0279	RF		
LC8 ADVENTURE S	950	2004 → 2006	FMD0279 (x2)	RF		
SUPER ENDURO R	950	2006 → 2008	FMD0279	RF		
LC8 ADVENTURE R	990	2010 → 2012	FMD0279 (x2)	RF		
LC8 ADVENTURE S	990	2006 → 2008	FMD0279	RF		

KTM



DISCS TYPE



DISCS TYPE

...KTMSUPERDUKE 990 2005 → 2007 **FMD0352 (x2)** RX**KYMCO**

AGILITY	50	2005 → 2008	FMD0034	R		
AGILITY 4T R 16	50	2008 →	FMD0323	R		
AGILITY R12 (Rear Drum Model)	50	2007 → 2008	FMD0034	R		
B&W EURO 2	50	2003 →	FMD0092	R		
CX	50	1994 →	FMD0006	R		
CX CURIO SUPER	50	1994 →	FMD0006	R		
DINK	50	1997 → 1998	FMD0092	R		
DINK	50	1998 → 2001	FMD0034	R		
DINK 4T	50	2007 →	FMD0423	R		
DINK LC	50	1998 → 2002	FMD0034	R		
FILLY LX	50	2001 → 2002	FMD0006	R		
HEROISM	50	1995 → 1996	FMD0006	R		
K 12	50	1995 →	FMD0006	R		
KB	50	1994 →	FMD0006	R		
MXER	50	2003 →	FMD0034 (x2)	R		
PEOPLE	50	1999 → 2000	FMD0049	R		
PEOPLE EURO 2	50	2003 → 2004	FMD0049	R		
PEOPLE S	50	2005 → 2008	FMD0323	R		
PEOPLE S 4T	50	2006 → 2008	FMD0323	R		
SNIPER	50	1993 →	FMD0006	R		
SNIPER DD	50	1994 → 1996	FMD0006	R	FMD0166	R
SUPER 9	50	2000 → 2001			FMD0034	R
SUPER 9 SPORT EURO 2	50	2003 → 2004			FMD0034	R
TOP BOY ON / OFF ROAD	50	1996 →	FMD0034	R		
VITALITY	50	2004 →	FMD0034	R		
AGILITY 4T	125	2005 → 2008	FMD0034	R		
AGILITY R12 (Rear Drum Model)	125	2005 → 2010	FMD0034	R		
AGILITY R16	125	2008 → 2012	FMD0323	R	FMD0244	R
AGILITY R16	125	2013 → 2014			FMD0244	R
AGILITY R16 PLUS	125	2014 →			FMD0244	R
DINK	125	1996 → 1999	FMD0034	R	FMD0034	R
DINK	125	2000 → 2005	FMD0092	R		
DINK EURO 3	125	2006 → 2007	FMD0423	R		
DOWNTOWN i	125	2009 → 2014			FMD0244	R
G DINK	125	2012 →	FMD0244	R		
GRAND DINK	125	2001 → 2004	FMD0092	R		
HEROISM	125	1995 → 1997	FMD0006	R		
MOVIE	125	1999 → 2000	FMD0092	R		
MOVIE EURO 3	125	2006 → 2007	FMD0092	R		
MOVIE XL	125	2001 → 2004	FMD0092	R		
PEOPLE	125	1999 → 2000	FMD0049	R		
PEOPLE EURO 2	125	2003 → 2004	FMD0323	R		
PEOPLE EURO 3	125	2007 →	FMD0323	R		
PEOPLE S	125	2005 → 2006	FMD0323	R		
PEOPLE S DD	125	2007 → 2008	FMD0323	R	FMD0323	R
SUPER DINK	125	2009 → 2013			FMD0244	R
AGILITY R16	150	2008 → 2010	FMD0323	R	FMD0244	R
AGILITY R16	150	2011 → 2012			FMD0244	R
DINK CLASSIC	150	2002 →	FMD0092	R	FMD0034	R
DINK CLASSIC EURO 2	150	2003 →	FMD0092	R		
DINK LX	150	1998 → 2000	FMD0034	R	FMD0034	R
GRAND DINK	150	2001 → 2004	FMD0092	R		
HEROISM	150	1995 → 1997	FMD0006	R		
MOVIE EURO 3	150	2006 → 2007	FMD0092	R		
MOVIE XL	150	2001 → 2004	FMD0092	R		
PEOPLE 150	150	2000 →	FMD0049	R		
AGILITY R16	200	2009 → 2014			FMD0244	R
AGILITY R16i PLUS	200	2014 →			FMD0244	R
DINK CLASSIC	200	2004 →	FMD0092	R		
DINK EURO 3 i	200	2006 → 2007	FMD0423	R		
DOWNTOWN i	200	2010 → 2014			FMD0244	R
NEW DINK	200	2008 →	FMD0423	R	FMD0133	R
PEOPLE S	200	2005 → 2006	FMD0323	R		
PEOPLE S I	200	2007 →	FMD0323	R	FMD0323	R
B&W BET & WIN	250	2000 → 2002	FMD0092	R		
B&W EURO 2	250	2003 →	FMD0092	R		
GRAND DINK	250	2001 → 2002	FMD0092	R	FMD0133	R
GRAND DINK EURO 2	250	2003 → 2004	FMD0092	R		
PEOPLE	250	2003 → 2005	FMD0323	R	FMD0323	R
PEOPLE S	250	2006 →	FMD0323 (x2)	R	FMD0323	R
PEOPLE S i	250	2007 →	FMD0323 (x2)	R	FMD0323	R
XCITING	250	2005 →	FMD0440 (x2)	R		



DISCS TYPE



DISCS TYPE

...KYMCO

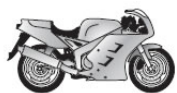
XCITING i	250	2006	→	FMD0440 (x2)	R		
YUP	250	2003	→	FMD0092	R		
DOWNTOWN i	300	2009	→ 2014			FMD0244	R
DOWNTOWN i ABS	300	2010	→ 2014			FMD0244	R
G DINK	300	2012	→ 2015	FMD0244	R		
G-DINK	300	2012	→	FMD0423	R		
PEOPLE S I	300	2008	→	FMD0323 (x2)	R	FMD0323	R
SUPER DINK	300	2009	→ 2012			FMD0244	R
XCITING I	300	2008	→	FMD0440 (x2)	R		
XCITING I R	300	2008	→	FMD0440 (x2)	R		
XCITING	500	2005	→	FMD0440 (x2)	R		
XCITING I	500	2006	→ 2008	FMD0440 (x2)	R		
XCITING I R	500	2007	→	FMD0440 (x2)	R		
XCITING R	500	2009	→	FMD0440 (x2)	R		

LAVERDA

GHOST	650	1996	→ 1999	FMD0111 (x2)	RX	FMD0023	R
SPORT	650	1995	→ 2001	FMD0111 (x2)	RX	FMD0023	R
S FORMULA	750	1998	→ 2001	FMD0111 (x2)	RX	FMD0023	R
STRIKE	750	1998	→ 2001	FMD0111 (x2)	RX	FMD0023	R
SFC	1000	2003	→			FMD0005	R

MALAGUTI

CENTRO 50 SL	50	1993	→	FMD0039	R		
CENTRO BASE	50	1993	→ 1994	FMD0022	R		
CENTRO SL	50	1994	→ 1998	FMD0039	R		
CENTRO SL CAT	50	1994	→ 2000	FMD0022	R		
CIAK	50	1999	→ 2000	FMD0047	R		
CIAK MASTER	50	2004	→ 2005	FMD0047	R		
CIAK MASTER 4T	50	2005	→ 2006	FMD0047	R		
CIAK MASTER EURO 2	50	2006	→	FMD0047	R		
CIAK MONO EURO 2,3	50	2003	→	FMD0047	R		
CIAK TD	50	2000	→ 2001	FMD0047	R		
CIAK TWIN DISK	50	2002	→	FMD0047	R		
CR1 CROSSER	50	1995	→ 1998	FMD0002	R		
CRW ENDURO	50	2003	→	FMD0310	R		
CRW MOTARD	50	2003	→	FMD0052	R	FMD0313	R
F10	50	1992	→ 1998	FMD0042	R		
F10 AC	50	2008	→	FMD0042	R		
F10 RESTYLING	50	2001	→ 2006	FMD0042	R		
F12 PHANTOM	50	1994	→ 1998	FMD0002	R		
F12 PHANTOM LC	50	1994	→ 1998	FMD0002	R		
F12 PHANTOM LC	50	1999	→ 2000	FMD0048	R	FMD0002	R
F12 PHANTOM twin disk	50	1998	→	FMD0022	R		
F15 FIREFOX	50	1996	→ 1997	FMD0048	R	FMD0002	R
F15 FIREFOX L.C.	50	1999	→ 2005	FMD0048	R		
YESTERDAY	50	1998	→	FMD0042	R		
CIAK	100	1999	→ 2001	FMD0047	R		
PHANTOM MAX	100	1999	→	FMD0048	R	FMD0002	R
CIAK	125	2000	→ 2001	FMD0047	R		
CIAK MASTER	125	2004	→	FMD0047	R		
CIAK MASTER EURO 3	125	2006	→	FMD0047	R		
CIAK RESTYLING	125	2003	→	FMD0047	R		
F 18 WARRIOR	125	2000	→ 2002	FMD0056	R	FMD0048	R
MADISON 3	125	2006	→ 2009	FMD0371	R	FMD0371	R
CIAK	150	2000	→ 2002	FMD0047	R		
CIAK MASTER	150	2003	→	FMD0047	R		
CIAK RESTYLING EURO 2	150	2004	→	FMD0047	R		
F 18 WARRIOR	150	2000	→ 2002	FMD0056	R	FMD0048	R
CIAK MASTER EURO 2	200	2006	→	FMD0047	R		
MADISON 3	250	2006	→ 2009	FMD0371	R	FMD0371	R
MADISON S	250	1999	→ 2001	FMD0046	R		
PASSWORD	250	2005	→ 2006	FMD0369	R	FMD0371	R
PASSWORD EU 3	250	2007	→ 2008	FMD0369	R	FMD0371	R
MADISON K	400	2002	→	FMD0058	R	FMD0046	R
MADISON K RESTYLING	400	2002	→ 2004	FMD0058	R	FMD0046	R
SPIDERMAX GT	500	2004	→ 2005	FMD0369 (x2)	R		
SPIDERMAX GT EURO 3	500	2006	→	FMD0369 (x2)	R		
SPIDERMAX RS	500	2008	→	FMD0369 (x2)	R		



DISCS TYPE



DISCS TYPE

MBK

CR Z TARGET	50	1991 → 1995	FMD0001	R		
CW BOOSTER	50	2001 →	FMD0001	R		
CW BOOSTER NG	50	1995 → 1998	FMD0097	R		
CW BOOSTER NG	50	1999 →	FMD0002	R		
CW BOOSTER SPIRIT	50	1996 → 1998	FMD0001	R		
CW BOOSTER SPIRIT	50	1999 →	FMD0045	R		
CW L BOOSTER	50	2001 →	FMD0045	R		
CW R BOOSTER ROAD	50	1994 → 1995	FMD0001	R		
CW RS BOOSTER NG	50	1995 → 1998	FMD0045	R		
CW RS BOOSTER NG	50	1999 → 2003	FMD0097	R		
CW RSP BOOSTER ROCKET	50	1997 → 1998	FMD0045	R		
CW RSX TRACK	50	1996 → 1998	FMD0045	R		
EW STUNT	50	2000 → 2002	FMD0097	R		
OVETTO	50	1997 → 2010	FMD0002	R		
STUNT	50	2000 → 2006	FMD0097	R		
STUNT NAKED	50	2005 → 2010	FMD0097	R		
TARGET	50	1992 → 1994	FMD0001	R		
YA R FORTE	50	1994 → 1995	FMD0001	R		
YE EVOLIS	50	1992 → 1994	FMD0001	R		
YM FIZZ	50	1994 → 1995	FMD0001	R		
YQ NITRO	50	1997 → 2003	FMD0097	R	FMD0097	R
EVOLIS	80	1994 → 1997	FMD0001	R		
OVETTO	100	1999 → 2002	FMD0002	R		
YQ NITRO	100	2000 → 2002	FMD0097	R		
YW BOOSTER	100	1999 → 2001	FMD0363	R		
XC FLAME R	125	1996 → 1999	FMD0363	R		
XN DOODO	125	2000 → 2001	FMD0110	R		
XQ THUNDER	125	2001 →			FMD0170	R
YP SKYLINER	125	1998 → 2000	FMD0110	R		
YP SKYLINER	125	2001 →	FMD0110	R	FMD0156	R
SKYLINER	150	1998 → 2000	FMD0110	R		
SKYLINER	150	2003 → 2010	FMD0110	R		
XN DOODO	150	2001 →	FMD0110	R		
YP SKYLINER	150	2000 → 2001	FMD0110	R		
YP SKYLINER	150	2001 → 2002	FMD0110	R	FMD0156	R
YP E SKYLINER	180	2003 →	FMD0110	R	FMD0156	R
YP SKYLINER	250	2000 → 2003	FMD0178	R	FMD0173	R
KILIBRE	300	2003 → 2006	FMD0319	R	FMD0320	R

MONDIAL

PIEGA (1000cc)	999	2003 →			FMD0005	R
PIEGA EVO (1000cc)	999	2003 →			FMD0005	R
PIEGA NUDA (1000cc)	999	2004 →			FMD0005	R
RZ NUDA (1000cc)	999	2002 →			FMD0005	R
RZ STARFIGHTER (1000cc)	999	2002 →			FMD0005	R

MONTESA

COTA 4RT	250	2005 → 2013	FMD0332	R	FMD0378	R
COTA 4RT	260	2014 → 2015	FMD0332	R	FMD0378	R
COTA 4RT	260	2015 →	FMD0332	R	FMD0378	R

MOTO GUZZI

BREVA	750	2003 → 2007	FMD0111	RX		
NEVADA	750	2003 → 2007	FMD0111	RX		
V7 CLASSIC	750	2008 → 2013	FMD0111	RX		
V7 II ABS	750	2015 →	FMD0111	RX		
V7 RACER	750	2010 → 2013	FMD0111	RX		
V7 SPECIAL	750	2012 → 2013	FMD0111	RX		
V7 STONE	750	2012 → 2013	FMD0111	RX		
BREVA	850	2006 → 2008	FMD0111 (x2)	RX		
GRISO	850	2006 →	FMD0111 (x2)	RX		
NORGE T-GTL	850	2007 →	FMD0111 (x2)	RX		
DAYTONA IE	1000	1991 → 1994	FMD0121 (x2)	RX		
DAYTONA IE	1000	1995 → 2000	FMD0111 (x2)	RX		
QUOTA	1000	1992 → 1997	FMD0077 (x2)	R		
V10 CENTAURO	1000	1996 → 2001	FMD0111 (x2)	RX		
V10 CENTAURO SPORT	1000	1998 → 2000	FMD0111	RX		
BREVA	1100	2005 → 2007	FMD0111 (x2)	RX		
CALIFORNIA EV	1100	1996 → 2000	FMD0111 (x2)	RX		
CALIFORNIA EV SPECIAL	1100	1997 → 2003	FMD0111 (x2)	RX		
CALIFORNIA JACKAL	1100	2001 → 2006	FMD0111	RX		
GRISO	1100	2005 → 2008	FMD0111 (x2)	RX		



CC



DISCS TYPE



DISCS TYPE

...MOTO GUZZI

SPORT	1100	1996	→	FMD0111 (x2)	RX
V10 CENTAURO SPORT	1100	1998	→ 2000	FMD0111 (x2)	RX
V11 LE MANS	1100	2000	→ 2005	FMD0111 (x2)	RX
V11 SPORT	1100	1997	→ 2000	FMD0111 (x2)	RX
BREVA	1200	2008	→ 2009	FMD0111 (x2)	RX
BREVA ABS	1200	2008	→ 2009	FMD0111	RX
GRISO 8 V	1200	2007	→ 2015	FMD0111 (x2)	RX
NORGE T-GTL	1200	2006	→	FMD0111 (x2)	RX
SPORT	1200	2006	→ 2007	FMD0111 (x2)	RX
SPORT 8V	1200	2008	→ 2010	FMD0111	RX
STELVIO	1200	2008	→ 2014	FMD0111 (x2)	RX

MOTO MORINI

9,5	1200	2006	→ 2010	FMD0111 (x2)	RX
CORSARO	1200	2005	→ 2009	FMD0111 (x2)	RX

MOTOR UNION

MAXI	125	1999	→	FMD0178	R
MAXI	150	1999	→	FMD0178	R
MAXI	400	1999	→	FMD0178	R

MOTRON

COMPACT RACING ES	50	1988	→ 1992	FMD0042	R
GL 4 FLASH ID	50	1989	→ 1993	FMD0002	R
RZ 1 ES	50	1989	→ 1994	FMD0002	R

MZ

1000 S	1000	2001	→ 2003	FMD0111 (x2)	RX
1000 S	1000	2003	→	FMD0111 (x2)	RX

PEUGEOT

BUXY	50	1994	→	FMD0002	R		
BUXY RS	50	1994	→	FMD0002	R		
DJANGO HERITAGE	50	2014	→	FMD0048	R		
ELYSEO	50	1998	→ 2001	FMD0002	R		
LOOXOR	50	2001	→ 2005	FMD0415	R		
LOOXOR	50	2006	→	FMD0415	R		
METAL X 50	50	2002	→	FMD0414	R		
SPEEDAKE	50	1995	→	FMD0002	R		
SPEEDFIGHT (Pinza Brembo)	50	1996	→	FMD0002	R		
SPEEDFIGHT (raff. acqua pinze AJP)	50	1998	→	FMD0025	R	FMD0025	R
SPEEDFIGHT M (Pinza AJP)	50	1997	→ 1998	FMD0025	R		
SPEEDFIGHT M (Pinza Heng-Tong)	50	1997	→	FMD0002	R		
SQUAB	50	1996	→	FMD0002	R		
SV GEO	50	1992	→	FMD0002	R		
SV GEO (all models)	50	1993	→	FMD0002	R		
SV ROLLAND GARROS	50	1993	→	FMD0002	R		
SV SPORT	50	1993	→	FMD0002	R		
SV T (forcella telescopica)	50	1993	→	FMD0002	R		
TREKKER	50	1997	→	FMD0002	R		
TREKKER (forcelle Paioli)	50	1997	→	FMD0002	R		
VIVACITY (forcelle Paioli)	50	1998	→ 2007	FMD0002	R		
VIVACITY 4T	50	2008	→	FMD0048	R		
VIVACITY CATALITICO	50	2002	→ 2004	FMD0097	R		
VIVACITY SIXTIES	50	2011	→	FMD0048	R		
VIVACITY VSX -XR	50	2002	→ 2004	FMD0097	R		
X RACE	50	2002	→ 2005			FMD0034	R
ZENITH	50	1994	→ 1995	FMD0042	R		
ZENITH	50	1996	→	FMD0042	R		
SV EXECUTIVE	80	1996	→	FMD0002	R		
ELYSEO	100	2002	→	FMD0229	R		
ELYSEO (A.J.P.)	100	1998	→ 2001	FMD0229	R		
LOOXOR	100	2001	→	FMD0097	R	FMD0414	R
SPEEDFIGHT	100	1997	→ 2000	FMD0025	R	FMD0025	R
TREKKER	100	1998	→	FMD0002	R		
VIVACITY	100	1999	→ 2001	FMD0002	R		
ELYSEO	125	1998	→ 1999	FMD0229	R		
ELYSEO	125	2000	→	FMD0229	R		
ELYSEO	125	1999	→	FMD0229	R		
LOOXOR	125	2002	→	FMD0415	R		

PEUGEOT



DISCS TYPE



DISCS TYPE

...PEUGEOT

SV GEO	125	1991 → 1992	FMD0002	R		
SV GEO	125	1993 →	FMD0002	R		
ELYSEO	150	2000 →	FMD0229	R		
LOOXOR	150	2002 → 2003	FMD0415	R		
SV	250	2001 →	FMD0425	R		

PGO

BIG MAX	50	1994 → 2002	FMD0001	R		
MEGA FIFTY	50	1999 →	FMD0001	R		
PMS	50	1999 →	FMD0097	R		
PMX	50	1997 →	FMD0001	R		
T REX	50	1999 →	FMD0097	R		
BIG MAX	80	1995 →	FMD0001	R		
PMS	110	1999 →	FMD0097	R		
T REX	110	1999 →	FMD0097	R		

PIAGGIO

FLY 2T	50	2005 →	FMD0022	R		
FLY 4T	50	2005 → 2010	FMD0022	R		
FREE (ruote in lega)	50	1996 →	FMD0022	R		
LIBERTY 2T	50	1997 →	FMD0043	R		
LIBERTY 4T	50	2000 → 2001	FMD0043	R		
NRG	50	1997 →	FMD0002	R		
NRG	50	1994 → 1996	FMD0002	R		
NRG EXTREME	50	1999 → 2000	FMD0002	R	FMD0210	R
NRG MC2	50	1996 →	FMD0002	R		
NRG MC3	50	2001 → 2004	FMD0002	R	FMD0210	R
NTT	50	→ 1995	FMD0002	R		
QUARTZ	50	1992 →	FMD0039	R		
QUARTZ (Rear Drum Model)	50	1991 → 1995	FMD0022	R		
SFERA ET2	50	1997 →	FMD0022	R		
SFERA RST	50	1995 →	FMD0022	R		
TYPHOON 2T (GRIMECA CAL./10 WHEELS)	50	2000 → 2004	FMD0002	R		
TYPHOON 2T (HENG TONG CAL./10 WHEELS)	50	2001 → 2009	FMD0002	R		
VESPA ET2	50	1997 →	FMD0022	R		
VESPA ET2 4T	50	2000 → 2001	FMD0022	R		
VESPA ET2 INIEZIONE	50	1999 →	FMD0022	R		
VESPA ET4	50	2001 → 2004	FMD0022	R		
VESPA LX 2T	50	2005 →	FMD0022	R		
VESPA LX 4T	50	2005 →	FMD0022	R		
VESPA S 2T	50	2007 → 2011	FMD0022	R		
VESPA S 4T	50	2008 → 2009	FMD0022	R		
ZIP 4T (grimeca/heng tong caliper)	50	2000 → 2010	FMD0210	R		
ZIP CAT DT 2T	50	2001 → 2005	FMD0210	R		
ZIP FAST RIDER	50	1995 →	FMD0001	R		
ZIP FAST RIDER	50	1993 → 1994	FMD0001	R		
ZIP RST	50	1996 → 1999	FMD0001	R		
ZIP SP	50	1996 →	FMD0022	R		
SKIPPER	80	1994 → 1995	FMD0022	R		
FREE	100	2001 →	FMD0043	R		
BEVERLY (pinza Grimeca)	125	2001 →	FMD0055	R	FMD0055	R
BEVERLY (pinza HengTong)	125	2001 →	FMD0055	R	FMD0055	R
BEVERLY EURO 3	125	2007 → 2008	FMD0055	R	FMD0055	R
BEVERLY EURO 3 MIC	125	2007 →	FMD0055	R	FMD0055	R
BEVERLY EURO 3 SPORT	125	2007 → 2008	FMD0055	R	FMD0055	R
BEVERLY EURO 3 TOURER	125	2008 → 2010	FMD0055	R	FMD0055	R
BEVERLY RST	125	2004 → 2007	FMD0055	R	FMD0055	R
BEVERLY RST 4T 4V IE EURO 3	125	2010 → 2011	FMD0055	R	FMD0055	R
CARNABY	125	2007 → 2010	FMD0055	R	FMD0055	R
FLY	125	2005 → 2008	FMD0022	R		
HEXAGON	125	1994 → 1997	FMD0040	R		
HEXAGON LX	125	1998 → 2001	FMD0022	R		
LIBERTY	125	1998 → 2000	FMD0043	R		
LIBERTY	125	2001 →	FMD0043	R		
LIBERTY 4T	125	2006 → 2007	FMD0043	R		
LIBERTY 4T EURO3	125	2007 → 2008	FMD0043	R		
LIBERTY 4TS PORT EURO3	125	2006 → 2008	FMD0043	R		
LIBERTY RST	125	2004 → 2005	FMD0043	R		
LIBERTY RST PTT	125	2005 → 2011	FMD0043	R		
LIBERTY SPORT	125	2006 →	FMD0043	R		
MP3 125	125	2006 → 2008	FMD0398 (x2)	R	FMD0054	R
MP3 IBRIDO	125	2009 → 2010	FMD0398 (x2)	R	FMD0054	R
MP3 IE	125	2008 → 2009	FMD0398 (x2)	R	FMD0054	R
MP3 IE TOURING	125	2011 → 2012	FMD0398 (x2)	R	FMD0054	R

PEUGEOT



DISCS TYPE



DISCS TYPE

...PIAGGIO

MP3 YOURBAN ERL	125	2011 → 2013	FMD0398 (x2)	R	FMD0054	R
SFERA 4T	125	1995 → 1997	FMD0022	R		
SKIPPER	125	1993 → 1999	FMD0039	R		
SKIPPER 4T	125	1998 →	FMD0007	R		
SKIPPER LX	125	1998 → 2002	FMD0007	R		
SKIPPER ST 4T (grimeca caliper)	125	2000 → 2004	FMD0007	R		
SKIPPER ST 4T (heng tong caliper)	125	2000 → 2004	FMD0007	R		
SUPER HEXAGON GTX	125	→ 2000	FMD0022	R	FMD0022	R
SUPER HEXAGON GTX	125	2001 → 2002	FMD0054	R	FMD0043	R
VESPA ET4	125	1996 → 2002	FMD0022	R		
VESPA GRANTURISMO L (pinza Grimeca)	125	2003 →	FMD0043	R	FMD0043	R
VESPA GRANTURISMO L (pinza HengTong)	125	2003 →	FMD0043	R	FMD0043	R
VESPA LX	125	2005 → 2006	FMD0022	R		
VESPA LX EURO 3	125	2006 → 2007	FMD0022	R		
VESPA PX	125	1998 →	FMD0022	R		
VESPA S 4T IE & COLLEGE	125	2009 → 2010	FMD0022	R		
X7	125	2007 → 2009	FMD0055	R		
X7 EURO3	125	2008 → 2009	FMD0055	R		
X7 EVO IE EURO3	125	2009 → 2010	FMD0055	R		
X8	125	2004 →	FMD0055	R	FMD0054	R
X8 (pinza HengTong)	125	2005 → 2006	FMD0055	R	FMD0054	R
X8 PREMIUM EURO 2	125	2006 →	FMD0055	R	FMD0054	R
X8 STREET EURO 3	125	2006 →	FMD0055	R		
X9 EVOLUTION	125	2001 → 2007	FMD0053 (x2)	R	FMD0053	R
FLY	150	2005 → 2007	FMD0022	R		
FLY EURO 3	150	2008 → 2010	FMD0022	R		
HEXAGON	150	1994 → 1999	FMD0040	R		
HEXAGON LX	150	1998 →	FMD0022	R		
LIBERTY 4T	150	2008 →	FMD0043	R		
LIBERTY 4T SPORT	150	2008 →	FMD0043	R		
LIBERTY LE	150	2000 → 2002	FMD0043	R		
SKIPPER	150	1993 → 1999	FMD0039	R		
SKIPPER 4T	150	2000 → 2002	FMD0007	R		
SKIPPER LX	150	1998 → 2006	FMD0007	R		
SKIPPER LXT	150	1998 → 2006	FMD0007	R		
VESPA ET4	150	1996 → 2002	FMD0022	R		
VESPA LX	150	2005 → 2006	FMD0022	R		
VESPA LX EURO 3	150	2006 → 2007	FMD0022	R		
VESPA PX	150	1998 →	FMD0022	R		
VESPA S 4T IE & COLLEGE	150	2009 → 2010	FMD0022	R		
X8 STREET EURO 3	150	2006 →	FMD0055	R		
HEXAGON LX	180	1998 →	FMD0022	R		
SUPER EXAGON GTX	180	→ 2000	FMD0022	R	FMD0022	R
SUPER EXAGON GTX	180	2001 → 2004	FMD0054	R	FMD0043	R
X9 AMALFI	180	2000 → 2003	FMD0053 (x2)	R	FMD0053	R
BEVERLY (pinza Grimeca)	200	2001 → 2006	FMD0055	R	FMD0055	R
BEVERLY (pinza HengTong)	200	2001 → 2006	FMD0055	R	FMD0055	R
CARNABY	200	2007 → 2010	FMD0055	R	FMD0055	R
LIBERTY	200	2006 →	FMD0043	R		
LIBERTY 4T EURO3	200	2007 → 2008	FMD0043	R		
LIBERTY 4T SPORT EURO 3	200	2006 → 2007	FMD0043	R		
LIBERTY RST	200	2004 → 2005	FMD0043	R		
LIBERTY SPORT	200	2006 →	FMD0043	R		
VESPA GRANTURISMO (pinza Grimeca)	200	2006 →	FMD0043	R	FMD0043	R
VESPA GRANTURISMO (pinza Heng Tong)	200	2006 →	FMD0043	R	FMD0043	R
VESPA GRANTURISMO L (pinza Grimeca)	200	2003 → 2005	FMD0043	R	FMD0043	R
VESPA GRANTURISMO L (pinza Heng Tong)	200	2003 → 2005	FMD0043	R	FMD0043	R
VESPA PE	200	1998 →	FMD0022	R		
VESPA PX	200	1998 →	FMD0022	R		
X8	200	2004 → 2005	FMD0055	R	FMD0054	R
X8	200	2006 →	FMD0055	R	FMD0054	R
X8 (pinza HengTong)	200	2005 →	FMD0168	R	FMD0054	R
X8 EVO	200	2005 → 2007	FMD0055	R		
X9 EVOLUTION	200	2002 → 2003	FMD0053 (x2)	R	FMD0053	R
BEVERLY	250	2006 → 2007	FMD0055	R	FMD0055	R
BEVERLY CRUISER	250	2007 → 2009	FMD0055	R	FMD0055	R
BEVERLY EURO 3 IE	250	2006 → 2008	FMD0055	R	FMD0055	R
BEVERLY EURO 3 MIC	250	2007 →	FMD0055	R	FMD0055	R
BEVERLY EURO 3 TOURER	250	2008 → 2009	FMD0055	R	FMD0055	R
BEVERLY LEADER	250	2004 →	FMD0055	R	FMD0055	R
BEVERLY RST	250	2004 → 2005	FMD0055	R	FMD0055	R
BEVERLY SPORT	250	2006 → 2008	FMD0055	R	FMD0055	R
CARNABY	250	2008 →	FMD0055	R	FMD0055	R
HEXAGON	250	1998 →	FMD0022	R		
MP3	250	2006 → 2008	FMD0398 (x2)	R	FMD0054	R
MP3 LT	250	2008 → 2009	FMD0398 (x2)	R	FMD0054	R



DISCS TYPE



DISCS TYPE

...PIAGGIO

MP3 MIC	250	2008	→ 2009	FMD0398 (x2)	R	FMD0054	R
SUPER HEXAGON GT-GTX	250	2000	→	FMD0022	R	FMD0022	R
VESPA GTS (pinza Grimeca)	250	2005	→	FMD0043	R	FMD0043	R
VESPA GTS (pinza HengTong)	250	2005	→	FMD0043	R	FMD0043	R
VESPA GTV	250	2006	→	FMD0043	R	FMD0043	R
X EVO EVO	250	2007	→ 2013	FMD0055	R		
X7 EURO 3	250	2008	→	FMD0055	R		
X8	250	2005	→	FMD0055	R		
X9	250	2000	→ 2003	FMD0053 (x2)	R	FMD0053	R
X9 AMALFI	250	2000	→	FMD0053 (x2)	R	FMD0053	R
X9 EVOLUTION	250	2004	→ 2006	FMD0053 (x2)	R	FMD0053	R
BEVERLY TOURER EURO 3	300	2009	→ 2010	FMD0055	R	FMD0055	R
CARNABY CRUISER	300	2009	→	FMD0055	R	FMD0055	R
MP3 4T 4V IE ERL IBRIDO	300	2010	→ 2013	FMD0398 (x2)	R	FMD0054	R
MP3 4T 4V IE LT IBRIDO	300	2010	→ 2011	FMD0398 (x2)	R	FMD0054	R
MP3 IE LT	300	2010	→ 2011	FMD0398 (x2)	R	FMD0054	R
MP3 IE LT - IE LT SPORT	300	2011	→ 2013	FMD0398 (x2)	R	FMD0054	R
MP3 IE LT TOURING	300	2011	→ 2013	FMD0398 (x2)	R	FMD0054	R
MP3 IE MIC	300	2010	→ 2011	FMD0398 (x2)	R	FMD0054	R
MP3 IE TOURING	300	2011	→ 2012	FMD0398 (x2)	R	FMD0054	R
MP3 LT BUSINESS ABS	300	2014	→			FMD0054	R
MP3 SPORT ABS	300	2014	→			FMD0054	R
MP3 YOURBAN ERL	300	2011	→ 2015	FMD0398 (x2)	R	FMD0054	R
MP3 YOURBAN LT ERL	300	2011	→ 2012	FMD0398 (x2)	R	FMD0054	R
X7 EVO IE	300	2011	→	FMD0055	R		
X7 EVO IE EURO3	300	2009	→ 2011	FMD0055	R		
BEVERLY EURO 3	400	2006	→ 2008	FMD0168	R	FMD0054	R
BEVERLY TOURER EURO3	400	2008	→ 2010	FMD0055 (x2)	R		
MP3	400	2007	→ 2008	FMD0398 (x2)	R	FMD0054	R
MP3 IE LT - IE LT SPORT	400	2008	→ 2010	FMD0398 (x2)	R	FMD0054	R
MP3 IE LT TOURING	400	2011	→	FMD0398 (x2)	R	FMD0054	R
MP3 LT	400	2009	→	FMD0398 (x2)	R	FMD0054	R
MP3 MIC	400	2008	→ 2010	FMD0398 (x2)	R	FMD0054	R
MP3 RL TOURING	400	2011	→	FMD0398 (x2)	R	FMD0054	R
X8	400	2006	→	FMD0055 (x2)	R		
X8 EURO 3	400	2006	→ 2008	FMD0055 (x2)	R		
BEVERLY	500	2002	→ 2006	FMD0055 (x2)	R	FMD0054	R
BEVERLY CRUISER	500	2007	→ 2012	FMD0055 (x2)	R	FMD0054	R
BEVERLY EURO 3	500	2006	→	FMD0055 (x2)	R	FMD0054	R
MP3 LT SPORT - BUSINESS	500	2011	→ 2013	FMD0398 (x2)	R	FMD0054	R
MP3 RL SPORT - BUSINESS	500	2011	→ 2012	FMD0398 (x2)	R	FMD0054	R
X9	500	2001	→ 2003	FMD0055 (x2)	R	FMD0054	R
X9 EVOLUTION	500	2003	→ 2004	FMD0168 (x2)	R	FMD0054	R
X9 EVOLUTION ABS	500	2006	→ 2007	FMD0168 (x2)	R	FMD0054	R

RIEJU

DRAC AM	50	1997	→ 1999			FMD0316	R
DRAC RR	50	1994	→ 1996			FMD0316	R
FIRST H2O	50	1997	→	FMD0002	R		
RR AM 5	50	1997	→			FMD0316	R
RR AM 6 AUTOMIX	50	1997	→ 2000			FMD0316	R
RR AM 6 SUPERMOTARD	50	1997	→ 1998			FMD0316	R
MR	80	1995	→			FMD0316	R
RR	80	1997	→			FMD0316	R
RJ SUPERMOTARD	125	1999	→ 2000			FMD0316	R
RR	125	1996	→			FMD0316	R
RR THUNDERFIRE	125	1999	→ 2000			FMD0316	R

SCORPA

SY F	125	2003	→	FMD0381	R	FMD0382	R
TY (4T)	125	2005	→	FMD0381	R	FMD0382	R
SY F RACING	175	2005	→	FMD0381	R	FMD0382	R
SY	250	2000	→	FMD0381	R	FMD0382	R
SY LONG RIDE	250	2004	→	FMD0381	R	FMD0382	R
SY R	250	2005	→	FMD0381	R	FMD0382	R

SHERCO

CITY CORP 4T ENDURO	125	2003	→	FMD0332	R	FMD0333	R
CITY CORP 4T SM	125	2003	→	FMD0332	R	FMD0333	R
TRIAL	125	1999	→	FMD0332	R	FMD0333	R
TRIAL 1.25	125	2006	→	FMD0332	R	FMD0333	R
SE ENDURO 2.5 I	250	2006	→ 2011	FMD0330	R	FMD0335	R



DISCS TYPE



DISCS TYPE

...SHERCO

TRIAL 2.5	250	2001	→	FMD0332	R	FMD0333	R
TRIAL 2.9	290	2001	→	FMD0332	R	FMD0333	R
TRIAL 3.2 4T	320	2005	→	FMD0332	R	FMD0333	R
ENDURO 4.5 I	450	2004	→ 2011	FMD0330	R	FMD0335	R
SE ENDURO 5.1 I	510	2006	→ 2011	FMD0330	R	FMD0335	R

SUZUKI

RM	65	2003	→ 2005	FMD0107	R	FMD0107	R
RM	80	1990	→ 2001	FMD0151	R	FMD0251	R
RM	80	1990	→ 2001	FMD0151	R	FMD0227	R
RM	85	2002	→ 2004	FMD0151	R	FMD0251	R
RM	85	2002	→ 2004	FMD0151	R	FMD0227	R
RM	85	2005	→ 2007	FMD0162	R	FMD0342	R
BURGMAN UH	125	2002	→ 2006	FMD0324	R	FMD0318	R
BURGMAN UH	125	2007	→ 2013	FMD0441	R	FMD0441	R
RG F GAMMA	125	1992	→	FMD0118	RX		
RM	125	2001	→ 2012	FMD0028	RF/R	FMD0248	R
RM	125	1988	→ 2000	FMD0028	RF/R	FMD0186	R
TS R	125	1989	→	FMD0027	R		
BURGMAN UH	150	2002	→ 2006	FMD0324	R	FMD0318	R
BURGMAN UH	200	2007	→ 2013	FMD0441	R	FMD0441	R
TS R	200	1989	→	FMD0027	R		
BURGMAN	250	1996	→ 1997			FMD0250	R
BURGMAN	250	1998	→ 2002	FMD0026	R	FMD0250	R
BURGMAN AN	250	2003	→ 2006	FMD0334	R	FMD0361	R
DR S	250	1990	→			FMD0242	R
GSF BANDIT	250	1990	→	FMD0119	RX		
LT Z	250	2005	→ 2007	FMD0357 (x2)	R		
RGV GAMMA	250	1991	→ 1996	FMD0118 (x2)	RX		
RGV K	250	1989	→ 1990			FMD0245	R
RM	250	1989	→ 2000	FMD0028	RF/R	FMD0186	R
RM	250	2000	→ 2012	FMD0028	RF/R	FMD0248	R
RMX	250	1989	→ 1999	FMD0028	RF/R	FMD0186	R
RMX S	250	1992	→ 1998	FMD0028	RF/R		
RMZ	250	2004	→ 2006			FMD0239	R
RMZ	250	2007	→ 2015	FMD0396	R	FMD0366	R
DR R	350	1994	→ 1999			FMD0242	R
DR S	350	1989	→ 1993			FMD0242	R
DR S	350	1996	→ 1999			FMD0242	R
DR S-R	350	1989	→ 1999			FMD0242	R
BURGMAN	400	1999	→ 2002	FMD0026	R	FMD0250	R
BURGMAN AN	400	2003	→ 2006	FMD0334	R	FMD0361	R
BURGMAN AN	400	2007	→ 2015	FMD0334	R	FMD0421	R
DR Z E	400	2000	→ 2008	FMD0028	RF/R	FMD0186	R
DR Z S	400	2000	→ 2009	FMD0028	RF/R	FMD0186	R
DR Z SM	400	2005	→ 2009			FMD0248	R
GS	400	1989	→ 1989	FMD0119	RX	FMD0246	R
GSF BANDIT	400	1989	→ 1996	FMD0119	RX	FMD0246	R
LT Z QUADSPORT	400	2002	→ 2009	FMD0357 (x2)	R		
RMX EFI	450	2010	→ 2012	FMD0396	R	FMD0366	R
RMZ	450	2005	→ 2007	FMD0396	R	FMD0366	R
RMZ EFI	450	2008	→ 2015	FMD0396	R	FMD0366	R
GS E	500	1989	→ 2003	FMD0119	RX	FMD0246	R
GS F	500	2004	→ 2007	FMD0119	RX	FMD0246	R
LT R QUADRACER	500	1987	→ 1990	FMD0357 (x2)	R		
DR DJEBEL	600	1989	→	FMD0027	R	FMD0187	R
DR R	600	1986	→ 1989	FMD0027	R		
DR R DAKAR-DJEBEL	600	1987	→ 1988	FMD0027	R		
DR S	600	1986	→ 1988	FMD0027	R		
GSF BANDIT	600	1995	→ 1999	FMD0120 (x2)	RX	FMD0244	R
GSF BANDIT	600	2000	→ 2004	FMD0120 (x2)	RX	FMD0244	R
GSX F	600	1988	→ 1997			FMD0246	R
GSX F	600	1998	→ 2003	FMD0120 (x2)	RX	FMD0244	R
GSX F	600	2004	→ 2006	FMD0349 (x2)	RX	FMD0244	R
GSX R	600	2004	→ 2005	FMD0241 (x2)	RX	FMD0249	R
GSX R	600	2006	→ 2007	FMD0393 (x2)	RX	FMD0249	R
GSX R	600	2008	→ 2014	FMD0412 (x2)	RX	FMD0249	R
GSX R	600	1997	→ 2003	FMD0125 (x2)	RX	FMD0249	R
GSX R (Rad.cal)	600	2006	→ 2007	FMD0393 (x2)	RX	FMD0249	R
GSX R (Rad.cal)	600	2004	→ 2005	FMD0241 (x2)	RX	FMD0249	R
RF R	600	1993	→ 1997	FMD0120 (x2)	RX	FMD0244	R
BURGMAN AN	650	2002	→ 2003			FMD0079	R
BURGMAN AN	650	2004	→ 2011	FMD0334 (x2)	R	FMD0362	R
BURGMAN AN	650	2012	→	FMD0334 (x2)	R	FMD0362	R
DR DJEBEL	650	1990	→ 1991	FMD0148	R	FMD0187	R

SUZUKI



DISCS TYPE



DISCS TYPE

...SUZUKI

DR DJEBEL	650	1991 → 1995	FMD0208	R	FMD0187	R
DR R	650	1994 → 1995	FMD0208	R		
DR R	650	1990 → 1993	FMD0208	R	FMD0187	R
DR RE	650	1994 → 1995			FMD0187	R
DR RS	650	1990 → 1991	FMD0148	R	FMD0187	R
DR RSE	650	1991 → 1993	FMD0208	R	FMD0187	R
DR SE	650	1996 → 2009	FMD0149	RF		
GSF BANDIT	650	2005 → 2006	FMD0349 (x2)	RX	FMD0244	R
GSF BANDIT S	650	2005 → 2006	FMD0349 (x2)	RX	FMD0244	R
SV	650	1999 → 2002	FMD0120 (x2)	RX	FMD0244	R
SV	650	2003 → 2010	FMD0349 (x2)	RX	FMD0249	R
SV S	650	1999 → 2002	FMD0120 (x2)	RX	FMD0244	R
SV S	650	2003 → 2009	FMD0349 (x2)	RX	FMD0249	R
DR BIG	750	1988 → 1989			FMD0187	R
DR BIG S	750	1987 → 1988	FMD0148	R		
GSX	750	1989 → 1992			FMD0246	R
GSX	750	1997 → 2003	FMD0118 (x2)	RX	FMD0244	R
GSX F	750	1998 → 2003	FMD0120 (x2)	RX	FMD0244	R
GSX F	750	2004 → 2006	FMD0349 (x2)	RX	FMD0244	R
GSX R	750	1985 → 1988			FMD0244	R
GSX R	750	1989 → 1995	FMD0117 (x2)	RX	FMD0244	R
GSX R	750	1996 → 2003	FMD0125 (x2)	RX	FMD0249	R
GSX R	750	2004 → 2005	FMD0241 (x2)	RX	FMD0249	R
GSX R	750	2006 → 2007	FMD0393 (x2)	RX	FMD0249	R
GSX R	750	2008 → 2014	FMD0412 (x2)	RX	FMD0249	R
GSX R (Rad.cal)	750	2006 → 2007	FMD0393 (x2)	RX	FMD0249	R
GSX R (Rad.cal)	750	2004 → 2005	FMD0241 (x2)	RX	FMD0249	R
GSX R LIMITED EDITION	750	1989 → 1990	FMD0117 (x2)	RX		
GSX R W	750	1994 → 1995	FMD0117 (x2)	RX	FMD0244	R
GSX R Y	750	2000 → 2003	FMD0125 (x2)	RX	FMD0249	R
DR BIG S	800	1989 → 1990	FMD0148	R	FMD0187	R
DR BIG S	800	1991 → 1996			FMD0187	R
VX	800	1994 →	FMD0150	RF	FMD0247	R
VX	800	1990 → 1993	FMD0150	RF	FMD0247	R
VZ MARAUDER	800	1996 → 2004	FMD0118	RX		
RF	900	1994 → 1997	FMD0119 (x2)	RX	FMD0244	R
GSX R	1000	2005 → 2008	FMD0393 (x2)	RX	FMD0249	R
GSX R	1000	2009 → 2014	FMD0412 (x2)	RX	FMD0249	R
GSX R	1000	2001 → 2002	FMD0125 (x2)	RX	FMD0249	R
GSX R	1000	2003 → 2004	FMD0241 (x2)	RX	FMD0249	R
GSX R (Rad.cal)	1000	2005 → 2008	FMD0393 (x2)	RX	FMD0249	R
SV	1000	2003 → 2007			FMD0249	R
SV S	1000	2003 → 2007			FMD0249	R
TL R	1000	1998 → 2003	FMD0125 (x2)	RX	FMD0249	R
TL S	1000	1997 → 2001	FMD0125 (x2)	RX	FMD0249	R
GSX R	1100	1989 → 2000	FMD0117 (x2)	RX	FMD0244	R
GSX R	1100	1987 → 1988			FMD0249	R
GSF BANDIT	1200	1996 → 2005	FMD0119 (x2)	RX	FMD0244	R
GSX INAZUMA	1200	1999 → 2002	FMD0119 (x2)	RX	FMD0244	R
GSX R HAYABUSA	1300	1999 → 2007	FMD0125 (x2)	RX	FMD0244	R
GSX	1400	2002 → 2007	FMD0125 (x2)	RX		

SYM

CINDERELLA	50	1999 → 2002	FMD0006	R		
MIO	50	2006 → 2007	FMD0006	R		
SUPER FANCY	50	1999 → 2000	FMD0006	R		
CINDERELLA	100	1999 →	FMD0006	R		
ATTILA	125	1995 → 1998	FMD0006	R		
EURO MX	125	2002 →	FMD0416	R		
EURO MX E2	125	2003 → 2004	FMD0416	R		
HD 125 EURO 2	125	2003 → 2004	FMD0417	R		
HD EVO	125	2005 → 2006	FMD0417	R	FMD0419	R
HD EVO EURO3	125	2010 →			FMD0419	R
JOYRIDE	125	2001 → 2004	FMD0416	R	FMD0418	R
JOYRIDE EURO 2	125	2005 → 2006	FMD0416	R	FMD0418	R
JOYRIDE EURO 3	125	2007 → 2009	FMD0416	R	FMD0418	R
JOYRIDE EVO	125	2010 →	FMD0416	R	FMD0418	R
MEGALO	125	2006 → 2007	FMD0006	R		
NEW DUKE	125	2000 → 2001	FMD0006	R		
SHARK	125	1999 →	FMD0416	R		
SHARK	125	2000 →	FMD0416	R		
SR	125	1998 →	FMD0006	R		
SUPER DUKE	125	1999 → 2002	FMD0006	R		
VS	125	2006 →	FMD0416	R		
VS EURO 3	125	2007 → 2008	FMD0416	R		



DISCS TYPE



DISCS TYPE

...SYM

ATTILA	150	2000	→ 2001	FMD0006	R		
EURO MX	150	2002	→	FMD0416	R		
EURO MX EU 2	150	2003	→ 2004	FMD0416	R		
JOYRIDE	150	2001	→ 2002	FMD0416	R	FMD0418	R
SHARK	150	2000	→ 2001	FMD0416	R		
VS	150	2007	→	FMD0416	R		
VS EURO 3	150	2007	→ 2008	FMD0416	R		
HD EU 2	200	2003	→ 2004	FMD0417	R		
HD EVO	200	2011	→			FMD0419	R
HD EVO EURO 2	200	2005	→ 2006	FMD0417	R	FMD0419	R
HD EVO I EURO 3	200	2007	→ 2010	FMD0417	R	FMD0419	R
HD2 EVO	200	2013	→			FMD0419	R
JOY RIDE	200	2001	→ 2004	FMD0416	R	FMD0418	R
JOY RIDE I EVO	200	2009	→ 2010	FMD0416	R	FMD0418	R
GTS	250	2007	→ 2008	FMD0420	R	FMD0419	R
JOYMAX	250	2005	→ 2007	FMD0420 (x2)	R	FMD0419	R
JOYMAX I EURO 3	250	2007	→ 2008	FMD0420	R	FMD0419	R
JOYMAX EVO	300	2009	→	FMD0420	R	FMD0419	R
JOYMAX I	300	2012	→	FMD0420	R	FMD0419	R
JOYMAX I EVO	300	2010	→	FMD0420	R	FMD0419	R

TM

all models (solo fascia frenante)	80	1994	→ 2003			FMD0252	R
all models (solo fascia frenante)	85	1998	→ 2003			FMD0252	R
all models	125		→ 1985	FMD0029	R		
all models	125	1990	→ 2000	FMD0152	R	FMD0252	R
all models	125	2001	→ 2004	FMD0152	R	FMD0402	R
GS- MC	125	1990	→ 1992	FMD0029	R	FMD0182	R
MC	125	1986	→ 1989			FMD0252	R
SMR	125	2005	→			FMD0252	R
250 E	250	1995	→ 2000	FMD0152	R	FMD0252	R
250 F	250	2001	→ 2004	FMD0152	R	FMD0402	R
250 F	250	2005	→	FMD0152	R	FMD0252	R
all models	250	1995	→ 2000	FMD0152	R	FMD0252	R
all models	250	2001	→ 2004	FMD0152	R	FMD0402	R
all models	250	2005	→	FMD0152	R	FMD0252	R
ENDURO F	250	2000	→ 2001	FMD0152	R	FMD0252	R
ENDURO F	250	2001	→ 2004	FMD0152	R	FMD0402	R
ENDURO F	250	2005	→	FMD0152	R	FMD0252	R
SMR 2T	250	2002	→			FMD0252	R
SMR F ES	250	2003	→			FMD0252	R
all models	300	1998	→ 2000	FMD0152	R	FMD0252	R
all models	300	2001	→ 2004	FMD0152	R	FMD0402	R
400 F	400	2000	→	FMD0152	R	FMD0252	R
all models 4T	400	2001	→	FMD0152	R	FMD0252	R
CROSS	400		→ 2000			FMD0252	R
SMF F	400	2002	→			FMD0252	R
MX - EN F	450	2005	→			FMD0252	R
MX F	450	2002	→ 2004	FMD0152	R	FMD0402	R
SMR F ES	450	2002	→ 2004			FMD0252	R
SMX F	450	2004	→	FMD0152	R	FMD0252	R
EN F ES	530	2003	→ 2004	FMD0152	R	FMD0252	R
MX - EN F	530	2005	→			FMD0252	R
MX F	530	2002	→ 2004	FMD0152	R	FMD0402	R
SMR F ES	530	2003	→			FMD0252	R

TRIUMPH

BABY SPEED	600	2001	→ 2002			FMD0014	R
DAYTONA	600	2003	→ 2007			FMD0014	R
SPEED FOUR	600	2003	→ 2006			FMD0014	R
TT	600	2000	→ 2003			FMD0014	R
DAYTONA	675	2006	→ 2012			FMD0014	R
DAYTONA R	675	2011	→ 2012			FMD0014	R
STREET TRIPLE	675	2007	→ 2012			FMD0014	R
STREET TRIPLE R	675	2009	→ 2012			FMD0014	R
(TRIDENT) SPRINT 749 Up to 9082	749	1993	→			FMD0176	R
TRIDENT	749	1991	→ 1998			FMD0176	R
DAYTONA	750	1991	→ 1992			FMD0176	R
SPEED TRIPLE (carb)	885	1994	→ 1996			FMD0176	R
DAYTONA 885	900	1993	→ 1996			FMD0176	R
DAYTONA 900 SUPER 3 750	900	1994	→ 1996			FMD0176	R
SPEED TRIPLE T509	900	1997	→ 1998			FMD0014	R
SPRINT 885	900	1994	→ 1997			FMD0176	R
SPRINT EXECUTIVE 885	900	1998	→ 1998			FMD0176	R



DISCS TYPE



DISCS TYPE

...TRIUMPH

SPRINT SPORT 885	900	1997 → 1998				FMD0176	R
TIGER	900	1993 → 1998	FMD0010 (x2)	R			
TRIDENT 885	900	1991 → 1998				FMD0176	R
TROPHY 885	900	1991 → 2001				FMD0176	R
DAYTONA T595	950	1996 → 1998				FMD0014	R
DAYTONA T955i	955	1999 → 2001				FMD0014	R
DAYTONA T955i	955	2002 → 2006	FMD0146 (x2)	RX		FMD0014	R
SPEED TRIPLE T955	955	1999 → 2001				FMD0014	R
SPEED TRIPLE T955	955	2002 → 2004	FMD0146 (x2)	RX		FMD0014	R
T955 DAYTONA	955	1999 → 2001				FMD0014	R
T955 DAYTONA	955	2002 →	FMD0146 (x2)	RX		FMD0090	R
T955 SPEED TRIPLE	955	1999 → 2001				FMD0014	R
T955 SPEED TRIPLE	955	2002 → 2004	FMD0146 (x2)	RX		FMD0090	R
DAYTONA 998	1000	1991 → 1992				FMD0176	R
SPEED TRIPLE	1050	2005 → 2010				FMD0014	R
SPEED TRIPLE ST	1050	2005 → 2006				FMD0090	R
SPRINT ST T1050	1050	2005 → 2011	FMD0146 (x2)	RX			
DAYTONA 1180	1200	1993 → 1997				FMD0176	R
TROPHY 1180	1200	1991 → 2003				FMD0176	R

VERTIGO

COMBAT CAMO	300	2015 →	FMD0332	R		FMD0378	R
COMBAT ICE HELL	300	2015 →	FMD0332	R		FMD0378	R

VILLA

AX	50	1993 →	FMD0001	R			
GZ	50	1993 →	FMD0001	R			

VOR

MX- EN	503	2000 → 2002	FMD0182	R			
--------	-----	-------------	---------	---	--	--	--

VOXAN

BLACK MAGIC	995	2006 →	FMD0111 (x2)	RX			
CAFE RACER	995	2000 → 2006	FMD0111 (x2)	RX			
ROADSTER	995	2001 → 2006	FMD0111 (x2)	RX			

YAMAHA

AEROX LC YQ	50	1997 →	FMD0097	R		FMD0097	R
AXIS YA	50	1993 →	FMD0001	R			
BREEZE YM	50	1994 → 1996	FMD0001	R			
BW S	50	1997 →	FMD0001	R			
BW S R	50	1995 → 1996	FMD0001	R			
CR Z	50	1992 →	FMD0001	R			
JOG (ITALIA)	50	1991 → 1996	FMD0001	R			
JOG R	50	2002 → 2011	FMD0097	R			
JOG R (Rear Drum Model)	50	2002 → 2011	FMD0097	R			
NEOS (Rear Drum Model)	50	1997 → 2006	FMD0002	R			
NEOS (Rear Drum Model)	50	2007 → 2013	FMD0097	R			
NEOS 4 (Rear Drum Model)	50	2009 → 2013	FMD0097	R			
SLIDER	50	1999 →	FMD0097	R		FMD0097	R
TZR	50	1996 → 2002	FMD0175	R		FMD0325	R
TZR R	50	1993 → 2002	FMD0030	R			
WHY	50	1997 →	FMD0013	R			
YM BREEZE (Rear Drum Model)	50	1994 → 1998	FMD0001	R			
TZR	80	1996 → 1998	FMD0175	R			
YZ	80	1993 → 2001	FMD0162	R		FMD0259	R
YZ	85	2002 → 2007	FMD0162	R		FMD0259	R
JOG	90	1990 →	FMD0001	R			
BW S	100	1999 → 2001	FMD0363	R			
NEOS (Rear Drum Model)	100	2000 → 2002	FMD0002	R			
YQ 100 AEROX	100	2000 → 2002	FMD0097	R			
CYGNUS R XC	125	1999 → 2003	FMD0363	R			
CYGNUS R XC K	125	1997 → 1998	FMD0363	R			
CYGNUS X NXC	125	2004 → 2006	FMD0397	R			
DT R	125	1988 → 2003	FMD0029	R		FMD0182	R
DT-Z TENERE	125	1989 → 1990	FMD0029	R			
MAJESTY YP	125	1998 → 2000	FMD0110	R			
MAJESTY YP E	125	2001 → 2009	FMD0110	R		FMD0156	R
MAXSTER XQ	125	2001 → 2002				FMD0170	R
SR	125	1997 → 2002	FMD0155	R			

TRIUMPH

10032



DISCS TYPE



DISCS TYPE

...YAMAHA

TDR (Italian model)	125	1989	→ 1999	FMD0111	RX	FMD0182	R
TDR (Japanese model)	125	1989	→	FMD0163	RF		
TDR (Japanese model)	125	1989	→	FMD0154	R		
TEO'S XN	125	1999	→ 2002	FMD0110	R		
TZ COMPETITION	125	1996	→ 1997	FMD0121	RX		
TZR	125	1987	→ 1995	FMD0175	R		
TZR R	125	1991	→ 1995	FMD0175	R		
TZR RED ROCKET	125	1993	→ 1995	FMD0175	R		
WR	125	1989	→ 1990	FMD0029	R	FMD0182	R
WR	125	1991	→ 1997	FMD0037	R	FMD0182	R
WR	125	1998	→ 2000	FMD0157	R	FMD0258	R
WR	125	2001	→ 2002	FMD0028	RF/R	FMD0258	R
WR	125	2002	→ 2005	FMD0028	RF/R	FMD0263	R
X-CITY VP	125	2008	→ 2011	FMD0424	R	FMD0320	R
X-MAX YP R	125	2006	→ 2013	FMD0437	R	FMD0320	R
X-MAX YP R	125	2011	→	FMD0437	R	FMD0445	R
X-MAX YP R	125	2014	→	FMD0437	R		
X-MAX YP R ABS	125	2013	→ 2014	FMD0437	R	FMD0445	R
XV VIRAGO	125	1997	→ 2000	FMD0154	R		
XV VIRAGO	125	1997	→ 2000	FMD0163	RF		
XV VIRAGO (Rear Drum Model)	125	1997	→ 2001	FMD0154	R		
XVS DRAG STAR	125	1999	→ 2001	FMD0154	R		
XVS DRAG STAR	125	1999	→ 2001	FMD0163	RF		
XVS DRAG STAR (Rear Drum Model)	125	1999	→ 2004	FMD0154	R		
XVS VIRAGO	125	1998	→ 2000	FMD0163	RF		
XVS VIRAGO	125	1998	→ 2000	FMD0154	R		
YP MAJESTY	125	1998	→ 2009	FMD0110	R		
YZ	125	1985	→ 1989	FMD0029	R	FMD0182	R
YZ	125	1990	→ 1997	FMD0037	R	FMD0182	R
YZ	125	1998	→ 2001	FMD0028	RF/R	FMD0258	R
YZ	125	1998	→ 2001	FMD0157	R	FMD0258	R
YZ	125	2008	→	FMD0028	RF/R	FMD0263	R
YZ	125	2002	→ 2007	FMD0028	RF/R	FMD0263	R
FLY ONE R XC	150	1998	→	FMD0363	R		
MAJESTY YP	150		→ 2000	FMD0110	R		
MAJESTY YP	150	2001	→ 2002	FMD0110	R	FMD0156	R
MAJESTY YP E	150		→ 2002	FMD0110	R		
MAXSTER XQ	150	2001	→ 2002			FMD0170	R
TEOS XN	150	2001	→ 2002	FMD0178	R		
MAJESTY YP E	180	2003	→ 2006	FMD0110	R	FMD0156	R
DT R	200	1988	→ 1991	FMD0029	R		
WR R	200	1992	→ 1995			FMD0182	R
YFS BLASTER	200	1988	→ 2002			FMD0274	R
YFS R BLASTER	200	2003	→ 2006	FMD0273 (x2)	R	FMD0274	R
FZX ZEAL	250	1991	→ 1992	FMD0111	RX		
MAJESTY ABS YP	250	2003	→	FMD0178	R	FMD0173	R
MAJESTY DX YP	250	1998	→ 1999	FMD0178	R	FMD0260	R
MAJESTY YP	250	1996	→ 1998	FMD0178	R		
MAJESTY YP	250	2000	→ 2003	FMD0178	R	FMD0173	R
R1-Z	250	1997	→	FMD0121 (x2)	RX		
SRV (Rear Drum Model)	250	1992	→ 1997	FMD0154	R		
SRV S -RENAISSA	250	1992	→ 2000	FMD0163	RF		
TDR	250	1988	→ 1992	FMD0111	RX		
TT R	250	1993	→			FMD0182	R
TZ GP	250	1996	→ 1997	FMD0121 (x2)	RX		
TZR	250	1989	→ 1992	FMD0111 (x2)	RX		
VP 250 X-CITY	250	2007	→ 2008	FMD0424	R		
WR	250	1990	→ 1991			FMD0182	R
WR	250	1992	→ 1997	FMD0157	R	FMD0182	R
WR	250	1998	→ 2000	FMD0157	R	FMD0258	R
WR	250	2001	→ 2008	FMD0028	RF/R	FMD0263	R
WR F	250	2001	→ 2002	FMD0028	RF/R	FMD0258	R
WR F	250	2002	→ 2013	FMD0028	RF/R	FMD0263	R
WR F EFI	250	2015	→	FMD0028	RF/R	FMD0263	R
WR X	250	2008	→	FMD0126	RX		
WR Z	250	1991	→ 1997	FMD0037	R		
X-CITY VP	250	2007	→ 2014	FMD0424	R	FMD0320	R
X-MAX YP R	250	2005	→ 2013	FMD0437	R	FMD0320	R
X-MAX YP R	250	2014	→	FMD0437	R		
X-MAX YP R ABS	250	2011	→ 2014	FMD0437	R	FMD0445	R
X-MAX YP R SPORT	250	2011	→ 2012	FMD0437	R	FMD0320	R
XV VIRAGO	250	1995	→ 2007	FMD0154	R		
XV VIRAGO	250	1995	→ 2007	FMD0163	RF		
XVS DRAG STAR	250	2001	→	FMD0154	R		
XVS DRAG STAR	250	2001	→	FMD0163	RF		
YFM BEAR TRACKER	250	2001	→ 2004	FMD0030 (x2)	R		

YAMAHA



DISCS TYPE



DISCS TYPE

...YAMAHA

YFM RAPTOR	250	2008 → 2009	FMD0273 (x2)	R		
YP 250 MAJESTY	250	2001 →			FMD0173	R
YP G GRAND MAJESTY [japan]	250	2004 → 2005	FMD0437	R		
YP MAJESTY DX	250	1998 → 1999			FMD0260	R
YZ	250	1985 → 1990	FMD0029	R	FMD0182	R
YZ	250	1990 → 1997	FMD0037	R	FMD0182	R
YZ	250	1998 → 2000	FMD0157	R	FMD0258	R
YZ	250	2001 → 2002	FMD0028	RF/R	FMD0258	R
YZ	250	2002 → 2015	FMD0028	RF/R	FMD0263	R
YZ F	250	2001 → 2001	FMD0028	RF/R	FMD0258	R
YZ F	250	2002 → 2013	FMD0028	RF/R	FMD0263	R
YZ- WR	250	1998 →	FMD0028	RF/R	FMD0258	R
YZ-F	250	2001 → 2013	FMD0028	RF/R	FMD0263	R
YZ-F EFI	250	2014 → 2015	FMD0028	RF/R	FMD0263	R
VERSITY XC	300	2003 → 2006	FMD0319	R	FMD0320	R
RD LC	350	1983 → 1993	FMD0155 (x2)	R	FMD0155	R
TT	350	1985 → 1995	FMD0029	R		
XT	350	1985 → 1990	FMD0037	R		
YFM R RAPTOR	350	2004 → 2008	FMD0273 (x2)	R		
YFM X WARRIOR	350	1987 → 2003	FMD0273 (x2)	R		
YFZ BANSHEE	350	1987 → 1989	FMD0273 (x2)	R	FMD0274	R
YFZ BANSHEE	350	1990 → 2006	FMD0273 (x2)	R	FMD0274	R
YZ	360	1989 →	FMD0037	R	FMD0182	R
YZ RALLY	360	1990 → 1993	FMD0037	R	FMD0182	R
MAJESTY ABS 400 YP	400	2007 → 2011			FMD0444	R
SR (Rear Drum Model)	400	2014 → 2015	FMD0275	RPF		
SRX	400	1991 →	FMD0111	RX	FMD0023	R
WR F	400	1998 → 2000	FMD0157	R	FMD0182	R
WR F	400	2001 → 2002	FMD0028	RF/R	FMD0263	R
X-MAX YP	400	2013 → 2015	FMD0437	R		
X-MAX YP ABS	400	2014 → 2015	FMD0437	R		
XJR	400	1995 → 2000	FMD0121 (x2)	RX	FMD0023	R
YP MAJESTY	400	2004 → 2011	FMD0437 (x2)	R	FMD0444	R
YP MAJESTY	400	2012 → 2013	FMD0437 (x2)	R		
YZ-F	400	1998 → 2000	FMD0157	R	FMD0258	R
WR F	426	2000 → 2001	FMD0157	R	FMD0258	R
WR F	426	2001 → 2002	FMD0028	RF/R	FMD0258	R
YZ-F	426	2000 → 2001	FMD0157	R	FMD0258	R
YZ-F	426	2001 → 2002	FMD0028	RF/R	FMD0263	R
WR F	450	2003 → 2015	FMD0028	RF/R	FMD0263	R
YFZ S	450	2004 → 2009	FMD0273 (x2)	R		
YZ F	450	2003 → 2004	FMD0028	RF/R	FMD0263	R
YZ F	450	2004 → 2014	FMD0028	RF/R		
YZ-F	450	2003 → 2015	FMD0028	RF/R	FMD0263	R
RD LC	500	1984 → 1988	FMD0155 (x2)	R	FMD0257	R
T MAX ABS XP	500	2008 → 2011	FMD0422 (x2)	RF		
T MAX SV ABS XP	500	2011 →	FMD0422 (x2)	RF		
T MAX SV XP	500	2011 →	FMD0422 (x2)	RF		
T MAX XP	500	2008 → 2011	FMD0422 (x2)	RF		
WR Z	500	1992 → 1993	FMD0029	R	FMD0182	R
XP T-MAX	500	2004 → 2007	FMD0437 (x2)	R	FMD0155	R
XP T-MAX	500	2001 → 2003	FMD0163	RF	FMD0155	R
XP T-MAX	530	2012 → 2015	FMD0437 (x2)	R	FMD0451	R
XP T-MAX ABS	530	2012 → 2015	FMD0437 (x2)	R		
XVS VIRAGO (Rear Drum Model)	535	1996 → 2000	FMD0275	RPF		
FZ6	600	2004 → 2008	FMD0139 (x2)	RX		
FZ6 FAZER	600	2004 → 2007	FMD0139 (x2)	RX	FMD0405	R
FZ6 Fazer	600	2007 → 2008	FMD0139 (x2)	RX		
FZ6 FAZER S2	600	2007 → 2008	FMD0139 (x2)	RX	FMD0405	R
FZ6 FAZER S2	600	2008 → 2009			FMD0405	R
FZ6 S2	600	2007 → 2009	FMD0139 (x2)	RX	FMD0405	R
FZR	600	1989 →	FMD0121 (x2)	RX	FMD0023	R
FZR R	600	1990 → 1995	FMD0121 (x2)	RX	FMD0023	R
FZS FAZER	600	1998 → 2003	FMD0121 (x2)	RX	FMD0023	R
TT	600	1989 → 1992	FMD0029	R		
TT	600	1996 → 2001			FMD0182	R
TT	600	1993 → 1995	FMD0159	R	FMD0182	R
TT E	600	1993 → 2001	FMD0159	R		
TT K	600	1993 → 1996	FMD0159	R		
TT N	600	1985 → 1988	FMD0029	R		
TT R	600	2003 → 2007			FMD0182	R
TT R	600	1998 → 2002	FMD0159	R	FMD0182	R
TT R E	600	2004 → 2007	FMD0159	R		
XJ	600	1983 → 1991	FMD0155 (x2)	R	FMD0155	R
XJ DIVERSION S-N	600	1991 → 1997	FMD0160	R	FMD0023	R
XJ DIVERSION S-N	600	1998 →	FMD0126 (x2)	RX	FMD0023	R

YAMAHA

10034



DISCS TYPE



DISCS TYPE

...YAMAHA

XJ N	600	1991 → 1997	FMD0160	R	FMD0023	R
XJ N	600	1998 → 2003	FMD0126 (x2)	RX	FMD0023	R
XJ S DIVERSION	600	1991 → 1997	FMD0160	R	FMD0023	R
XJ S DIVERSION	600	1998 → 2003	FMD0126	RX	FMD0023	R
XJ6	600	2009 → 2011	FMD0139 (x2)	RX		
XJ6 DIVERSION	600	2009 → 2011	FMD0139 (x2)	RX		
XT	600	1987 → 1990	FMD0031	R	FMD0256	R
XT 4 VALVES	600	1986 → 1987	FMD0031	R		
XT 4 VALVES	600	1988 → 1989	FMD0031	R	FMD0256	R
XT E	600	1990 → 1994	FMD0031	R	FMD0256	R
XT E	600	1995 → 1996	FMD0175	R	FMD0256	R
XT E	600	1997 → 2003			FMD0256	R
XT Z TENERE	600	1986 → 1987	FMD0031	R		
XT Z TENERE	600	1987 → 1991	FMD0031	R	FMD0256	R
XVS DRAG STAR	600	1997 →	FMD0275	RPF		
YZF R THUNDERCAT	600	1996 → 2004	FMD0126 (x2)	RX	FMD0023	R
YZF R6	600	2005 → 2015	FMD0394 (x2)	RX	FMD0265	R
YZF R6	600	1999 → 2002	FMD0126 (x2)	RX	FMD0261	R
YZF R6	600	2003 → 2004	FMD0139 (x2)	RX	FMD0265	R
XVS DRAG STAR (Rear Drum Model)	650	1997 → 2004	FMD0275	RPF		
XVS DRAG STAR CLASSIC (Rear Drum Model)	650	1998 → 2007	FMD0275	RPF		
MT03	660	2006 → 2011	FMD0139 (x2)	RX	FMD0405	R
MT03	660	2012 →			FMD0405	R
SZR	660	1995 → 2001	FMD0111	RX		
XTZ TENERE	660	1992 → 1998			FMD0256	R
XTZ TENERE	660	1991 → 1991	FMD0175	R	FMD0256	R
YFM RN RAPTOR	660	2001 → 2005	FMD0273 (x2)	R	FMD0274	R
YFM RN RAPTOR	700	2006 → 2009	FMD0273 (x2)	R		
FZ GENESIS	750	1987 → 1988	FMD0155 (x2)	R	FMD0155	R
FZ GENESIS	750	1989 → 1992	FMD0121 (x2)	RX	FMD0155	R
FZR R	750	1989 → 1992	FMD0111 (x2)	RX		
FZX FAZER	750	1986 → 1990	FMD0155 (x2)	R	FMD0155	R
XTZ SUPER TENERE	750	1989 → 2000	FMD0030 (x2)	R	FMD0257	R
XV VIRAGO	750	1990 → 1993	FMD0155 (x2)	R		
XV VIRAGO	750	1994 → 2000	FMD0175	R		
XV VIRAGO (Rear Drum Model)	750	1990 → 1993	FMD0155 (x2)	R		
YZF R	750	1993 → 1997	FMD0352 (x2)	RX	FMD0023	R
YZF R7	750	1999 → 2001	FMD0129 (x2)	RX	FMD0023	R
YZF SP	750	1993 → 1997	FMD0352 (x2)	RX	FMD0023	R
FAZER 8	800	2010 → 2012	FMD0394 (x2)	RX	FMD0367	R
FZ8	800	2010 → 2013	FMD0394 (x2)	RX	FMD0367	R
MT-09	850	2014 → 2015	FMD0139 (x2)	RX		
MT-09 ABS	850	2014 → 2015	FMD0139 (x2)	RX		
TDM	850	1991 → 2001	FMD0121 (x2)	RX	FMD0023	R
TRX	850	1995 → 2000	FMD0121 (x2)	RX	FMD0023	R
TDM	900	2002 → 2014	FMD0126 (x2)	RX	FMD0023	R
XJ S DIVERSION	900	1994 → 1996			FMD0155	R
XVS A MIDNIGHT STAR	950	2009 → 2013	FMD0129 (x2)	RX		
FZ1	1000	2006 → 2012	FMD0281 (x2)	RX	FMD0405	R
FZ1	1000	2013 → 2014	FMD0281 (x2)	RX		
FZ1 FAZER	1000	2006 → 2012	FMD0281 (x2)	RX	FMD0405	R
FZ1 FAZER ABS	1000	2007 → 2012	FMD0281 (x2)	RX	FMD0405	R
FZR EXUP	1000	1990 → 1995	FMD0111 (x2)	RX	FMD0155	R
FZR EXUP	1000	1994 → 1995	FMD0111 (x2)	RX	FMD0155	R
FZR GENESIS	1000	1987 → 1989	FMD0111 (x2)	RX	FMD0155	R
FZS FAZER	1000	2001 → 2005	FMD0126 (x2)	RX	FMD0155	R
GTS	1000	1993 → 2000			FMD0163	RF
GTS	1000	1993 → 2000			FMD0154	R
YZ-F R1	1000	2004 → 2014			FMD0265	R
YZF R THUNDERACE	1000	1996 → 1998	FMD0126 (x2)	RX	FMD0023	R
YZF R1	1000	2004 → 2006	FMD0281 (x2)	RX	FMD0265	R
YZF R1	1000	2007 → 2011	FMD0394 (x2)	RX	FMD0265	R
YZF R1	1000	2012 → 2014			FMD0265	R
YZF R1	1000	1998 → 2001	FMD0126 (x2)	RX	FMD0023	R
YZF R1	1000	2002 → 2003	FMD0126 (x2)	RX	FMD0261	R
BT BULLDOG	1100	2002 → 2006	FMD0126 (x2)	RX	FMD0155	R
FJ	1100	1984 → 1985	FMD0154	R	FMD0154	R
XV VIRAGO (Rear Drum Model)	1100	1986 → 1993	FMD0155 (x2)	R		
XVS DRAG STAR	1100	1999 → 2006	FMD0275 (x2)	RPF	FMD0154	R
FJ	1200	1986 → 1989			FMD0154	R
FJ	1200	1988 → 1995	FMD0121	RX	FMD0154	R
FJ	1200	1990 →	FMD0121 (x2)	RX	FMD0163	RF
FJ	1200	1986 → 1987	FMD0163 (x2)	RF	FMD0163	RF
FJ	1200	1986 → 1989			FMD0163	RF
FJ ABS	1200	1991 → 1993			FMD0163	RF
FJ ABS	1200	1991 → 1993			FMD0154	R

YAMAHA



DISCS TYPE



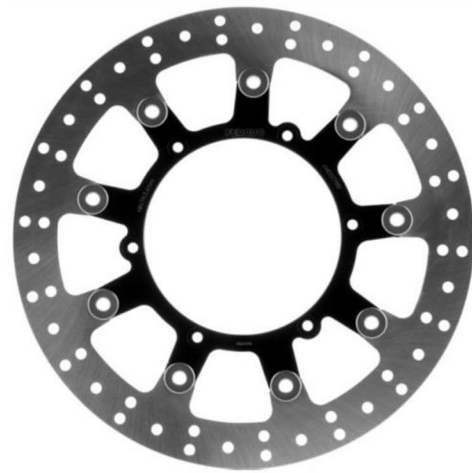
DISCS TYPE

...YAMAHA

V MAX	1200	1986 → 1992	FMD0154 (x2)	R	FMD0154	R
V MAX	1200	1993 → 2006	FMD0275	RPF	FMD0154	R
XJR	1200	1995 → 1996	FMD0111 (x2)	RX	FMD0155	R
XJR	1200	1997 →	FMD0111 (x2)	RX	FMD0155	R
XT Z SUPER TENERE	1200	2010 → 2015	FMD0394 (x2)	RX		
XT ZE SUPER TENERE	1200	2014 → 2015	FMD0394 (x2)	RX		
XVZ VENTURE ROYALE	1200	1984 → 1987	FMD0126 (x2)	RX	FMD0126	RX
FJR	1300	2001 → 2004	FMD0126	RX	FMD0154	R
FJR	1300	2004 → 2009			FMD0154	R
FJR	1300	2003 → 2004	FMD0126 (x2)	RX	FMD0163	RF
FJR ABS	1300	2003 → 2013	FMD0129 (x2)	RX	FMD0154	R
XJR	1300	1998 → 1999	FMD0111 (x2)	RX	FMD0155	R
XJR	1300	1999 → 2015	FMD0126 (x2)	RX	FMD0155	R
XVS MIDNIGHT STAR	1300	2007 → 2011	FMD0126 (x2)	RX		
XVZ 13 T-TD VENTURE ROYALE	1300	1988 → 1995	FMD0163 (x2)	RF		
XVZ ROYAL STAR	1300	1996 → 2007	FMD0275 (x2)	RPF	FMD0160	R
XVZ13TF WILD STAR	1300	1999 →	FMD0275 (x2)	RPF	FMD0160	R
XVS ROAD STAR	1600	1999 → 2007	FMD0275 (x2)	RPF		
XVS WILD STAR	1600	1999 → 2007	FMD0275 (x2)	RPF		
MT-01	1670	2005 → 2006	FMD0129 (x2)	RX	FMD0155	R
MT-01	1670	2007 →			FMD0155	R
MT01	1670	2005 → 2006	FMD0129 (x2)	RX	FMD0155	R
MT01	1670	2007 → 2011			FMD0155	R
XV PC ROAD STAR WARRIOR	1700	2002 → 2007	FMD0126 (x2)	RX		
XV ROADLINER	1900	2006 →	FMD0275	RPF		

FERODO™

MOTORCYCLE DISCS



ATV Applications

FERODO™

MOTORCYCLE DISCS



CC



DISCS TYPE



DISCS TYPE

BOMBARDIER

DS X 650 2001 → 2002 FMD0353 (x2) R

HONDA

TRX EX SPORTRAX 250 2001 → 2007 FMD0270 (x2) R

TRX R 250 1988 → 1989 FMD0270 (x2) R

TRX X 250 1987 → 1992 FMD0355 R

TRX X 250 1988 → 1992 FMD0270 (x2) R FMD0355 R

TRX EX 300 1993 → 2006 FMD0270 (x2) R FMD0355 R

TRX EX 300 2007 → 2008 FMD0355 R

TRX EX SPORTRAX 300 2001 → FMD0355 R

TRX EX 400 1999 → 2007 FMD0270 (x2) R

TRX EX FOURTRAX 400 1999 → 2002 FMD0270 (x2) R

TRX R 450 2004 → 2007 FMD0270 (x2) R

KAWASAKI

KFX 400 2002 → 2006 FMD0357 (x2) R

KYMCO

MXER 50 2003 → FMD0034 (x2) R

SUZUKI

LT Z 250 2005 → 2007 FMD0357 (x2) R

LT Z QUADSPORT 400 2002 → 2009 FMD0357 (x2) R

LT R QUADRACER 500 1987 → 1990 FMD0357 (x2) R

YAMAHA

YFS BLASTER 200 1988 → 2002 FMD0274 R

YFS R BLASTER 200 2003 → 2006 FMD0273 (x2) R FMD0274 R

YFM BEAR TRACKER 250 2001 → 2004 FMD0030 (x2) R

YFM RAPTOR 250 2008 → 2009 FMD0273 (x2) R

YFM R RAPTOR 350 2004 → 2008 FMD0273 (x2) R

YFM X WARRIOR 350 1987 → 2003 FMD0273 (x2) R

YFZ BANSHEE 350 1987 → 1989 FMD0273 (x2) R FMD0274 R

YFZ BANSHEE 350 1990 → 2006 FMD0273 (x2) R FMD0274 R

YFZ S 450 2004 → 2009 FMD0273 (x2) R

YFM RN RAPTOR 660 2001 → 2005 FMD0273 (x2) R FMD0274 R

YFM RN RAPTOR 700 2006 → 2009 FMD0273 (x2) R

BOMBARDIER

FERODO™

MOTORCYCLE DISCS



Buyer's Guide

FERODO™

MOTORCYCLE DISCS



Front
Rear

Outside Dia (mm)

Inside Dia (mm)

Thickness (mm)

No. of Fixing hole

Fixing hole dia. (mm)

Fix. hole central line diam (mm)

DISC TYPE

FMD0001

APRILIA	AMICO all models	50	1992	→	F	155	40.8	4	3	10.5	66	R	
	SONIC GP	50	1997	→	F	155	40.8	4	3	10.5	66	R	
	SONIC SPICE	50	1997	→	F	155	40.8	4	3	10.5	66	R	
BS VILLA	AX	50	1993	→	F	155	40.8	4	3	10.5	66	R	
	GZ	50	1993	→	F	155	40.8	4	3	10.5	66	R	
FANTIC MOTOR	BIG WHEELS	50	1991	→	1994	F	155	40.8	4	3	10.5	66	R
	GRINTA	50	1995	→	2000	F	155	40.8	4	3	10.5	66	R
GARELLI	BIG WHEEL	50	1993	→	F	155	40.8	4	3	10.5	66	R	
	BIP-RACING	50	1994	→	F	155	40.8	4	3	10.5	66	R	
	GRINTA	50	1995	→	F	155	40.8	4	3	10.5	66	R	
	PONY SR	50	1992	→	F	155	40.8	4	3	10.5	66	R	
	QUEENIE	50	1995	→	F	155	40.8	4	3	10.5	66	R	
GILERA	EASY MOVING	50	1995	→	F	155	40.8	4	3	10.5	66	R	
ITALJET	BAZOOKA 2	50	1992	→	F	155	40.8	4	3	10.5	66	R	
	PISTA	50	1992	→	F	155	40.8	4	3	10.5	66	R	
	SCOOP	50	1993	→	F	155	40.8	4	3	10.5	66	R	
	YANKEE 8	50	1994	→	F	155	40.8	4	3	10.5	66	R	
MBK	CR Z TARGET	50	1991	→	1995	F	155	40.8	4	3	10.5	66	R
	CW BOOSTER	50	2001	→	F	155	40.8	4	3	10.5	66	R	
	CW BOOSTER SPIRIT	50	1996	→	1998	F	155	40.8	4	3	10.5	66	R
	CW R BOOSTER ROAD	50	1994	→	1995	F	155	40.8	4	3	10.5	66	R
	TARGET	50	1992	→	1994	F	155	40.8	4	3	10.5	66	R
	YA R FORTE	50	1994	→	1995	F	155	40.8	4	3	10.5	66	R
	YE EVOLIS	50	1992	→	1994	F	155	40.8	4	3	10.5	66	R
	YM FIZZ	50	1994	→	1995	F	155	40.8	4	3	10.5	66	R
	EVOLIS	80	1994	→	1997	F	155	40.8	4	3	10.5	66	R
PGO	BIG MAX	50	1994	→	2002	F	155	40.8	4	3	10.5	66	R
	MEGA FIFTY	50	1999	→	F	155	40.8	4	3	10.5	66	R	
	PMX	50	1997	→	F	155	40.8	4	3	10.5	66	R	
	BIG MAX	80	1995	→	F	155	40.8	4	3	10.5	66	R	
PIAGGIO	ZIP FAST RIDER	50	1993	→	1994	F	155	40.8	4	3	10.5	66	R
	ZIP FAST RIDER	50	1995	→	F	155	40.8	4	3	10.5	66	R	
	ZIP RST	50	1996	→	1999	F	155	40.8	4	3	10.5	66	R
VILLA	AX	50	1993	→	F	155	40.8	4	3	10.5	66	R	
	GZ	50	1993	→	F	155	40.8	4	3	10.5	66	R	
YAMAHA	AXIS YA	50	1993	→	F	155	40.8	4	3	10.5	66	R	
	BREEZE YM	50	1994	→	1996	F	155	40.8	4	3	10.5	66	R
	BW S	50	1997	→	F	155	40.8	4	3	10.5	66	R	
	BW S R	50	1995	→	1996	F	155	40.8	4	3	10.5	66	R
	CR Z	50	1992	→	F	155	40.8	4	3	10.5	66	R	
	JOG (ITALIA)	50	1991	→	1996	F	155	40.8	4	3	10.5	66	R
	YM BREEZE (Rear Drum Model)	50	1994	→	1998	F	155	40.8	4	3	10.5	66	R
	JOG	90	1990	→	F	155	40.8	4	3	10.5	66	R	

FMD0002

APRILIA	AREA 51	50	1998	→	F/R	190	58.2	4	3	8.5	79	R	
	AREA 51 SBK	50	2000	→	2002	R	190	58.2	4	3	8.5	79	R
	GULLLIVER	50	1995	→	1998	F	190	58.2	4	3	8.5	79	R
	HABANA	50	1998	→	F	190	58.2	4	3	8.5	79	R	
	MOJTO	50	1999	→	2004	F	190	58.2	4	3	8.5	79	R
	RALLY	50	1995	→	F	190	58.2	4	3	8.5	79	R	
	RALLY liquid cooled	50	1996	→	F/R	190	58.2	4	3	8.5	79	R	
	SCARABEO	50	1998	→	2005	R	190	58.2	4	3	8.5	79	R
	SCARABEO 4t	50	2002	→	2003	R	190	58.2	4	3	8.5	79	R
	SCARABEO 4t	50	2004	→	2009	R	190	58.2	4	3	8.5	79	R
	SCARABEO DE-LUX	50	1998	→	R	190	58.2	4	3	8.5	79	R	
	SCARABEO DITECH	50	2001	→	2004	R	190	58.2	4	3	8.5	79	R
	SR all models	50	1993	→	1995	F	190	58.2	4	3	8.5	79	R
	SR H20 DITECH E (carburatore)	50	2000	→	2002	F/R	190	58.2	4	3	8.5	79	R
	SR H20 DITECH EURO 2	50	2002	→	2003	F/R	190	58.2	4	3	8.5	79	R
	SR R FACTORY (motore Piaggio)	50	2004	→	2005	F	190	58.2	4	3	8.5	79	R
	SR RACING	50	1997	→	1999	F/R	190	58.2	4	3	8.5	79	R
	SR STEALTH	50	1997	→	1999	F/R	190	58.2	4	3	8.5	79	R
	SR STREET	50	2005	→	F/R	190	58.2	4	3	8.5	79	R	
	SR WWW	50	1997	→	2001	F	190	58.2	4	3	8.5	79	R
	HABANA	125	1998	→	F	190	58.2	4	3	8.5	79	R	
	LEONARDO	125	1995	→	2004	R	190	58.2	4	3	8.5	79	R
	MOJTO all models	125	1999	→	2004	F	190	58.2	4	3	8.5	79	R
	SR	125	1999	→	F	190	58.2	4	3	8.5	79	R	
	LEONARDO	150	1997	→	1998	R	190	58.2	4	3	8.5	79	R
	LEONARDO	150	1999	→	2004	R	190	58.2	4	3	8.5	79	R
	MOJTO all models	150	1999	→	2004	F	190	58.2	4	3	8.5	79	R
	SR	150	1999	→	F	190	58.2	4	3	8.5	79	R	
BETA	ARK	50	1997	→	F	190	58.2	4	3	8.5	79	R	
	ARK LC	50	1999	→	F/R	190	58.2	4	3	8.5	79	R	
	CHRONO	50	1992	→	1994	F	190	58.2	4	3	8.5	79	R
	CHRONO ruota da 13	50	1994	→	F	190	58.2	4	3	8.5	79	R	
	QUADRA	50	1995	→	1996	F	190	58.2	4	3	8.5	79	R
	TEMPO 13	50	1995	→	1996	F	190	58.2	4	3	8.5	79	R
GILERA	NRG	50	1994	→	F	190	58.2	4	3	8.5	79	R	

12000



Front
Rear

Outside Dia (mm)

Inside Dia (mm)

Thickness (mm)

No. of Fixing hole

Fixing hole dia. (mm)

Fit. hole central diam (mm)

DISC TYPE

...FMD0002

	STALKER (post freno a disco)	50	1997 → 2004	F	190	58.2	4	3	8.5	79	R	
	STALKER (post freno a tamburo)	50	1997 → 2004	F	190	58.2	4	3	8.5	79	R	
	STORM	50	1994 → 1995	F	190	58.2	4	3	8.5	79	R	
	TYPHOON	50	1994 → 1997	F	190	58.2	4	3	8.5	79	R	
	TYPHOON X	50	1998 → 1999	F	190	58.2	4	3	8.5	79	R	
	TYPHOON XR	50	2000 → 2000	F	190	58.2	4	3	8.5	79	R	
	TYPHOON	80	1993 →	F	190	58.2	4	3	8.5	79	R	
	TYPHOON	125	1995 → 1998	F	190	58.2	4	3	8.5	79	R	
HONDA	BALI	50	1993 → 1997	F	190	58.2	4	3	8.5	79	R	
	YUPI	90	1992 →	F	190	58.2	4	3	8.5	79	R	
HUSQVARNA	WRS	50	1998 →	F	190	58.2	4	3	8.5	79	R	
KTM	KROSS	50	1996 →	F	190	58.2	4	3	8.5	79	R	
MALAGUTI	CR1 CROSSER	50	1995 → 1998	F	190	58.2	4	3	8.5	79	R	
	F12 PHANTOM	50	1994 → 1998	F	190	58.2	4	3	8.5	79	R	
	F12 PHANTOM LC	50	1994 → 1998	F	190	58.2	4	3	8.5	79	R	
	F12 PHANTOM LC	50	1999 → 2000	R	190	58.2	4	3	8.5	79	R	
	F15 FIREFOX	50	1996 → 1997	R	190	58.2	4	3	8.5	79	R	
	PHANTOM MAX	100	1999 →	R	190	58.2	4	3	8.5	79	R	
MBK	CW BOOSTER NG	50	1999 →	F	190	58.2	4	3	8.5	79	R	
	OVETTO	50	1997 → 2010	F	190	58.2	4	3	8.5	79	R	
	OVETTO	100	1999 → 2002	F	190	58.2	4	3	8.5	79	R	
MOTRON	GL 4 FLASH ID	50	1989 → 1993	F	190	58.2	4	3	8.5	79	R	
	RZ 1 ES	50	1989 → 1994	F	190	58.2	4	3	8.5	79	R	
PEUGEOT	BUXY	50	1994 →	F	190	58.2	4	3	8.5	79	R	
	BUXY RS	50	1994 →	F	190	58.2	4	3	8.5	79	R	
	ELYSEO	50	1998 → 2001	F	190	58.2	4	3	8.5	79	R	
	SPEEDAKE	50	1995 →	F	190	58.2	4	3	8.5	79	R	
	SPEEDFIGHT (Pinza Brembo)	50	1996 →	F	190	58.2	4	3	8.5	79	R	
	SPEEDFIGHT M (Pinza Heng-Tong)	50	1997 →	F	190	58.2	4	3	8.5	79	R	
	SQUAB	50	1996 →	F	190	58.2	4	3	8.5	79	R	
	SV GEO	50	1992 →	F	190	58.2	4	3	8.5	79	R	
	SV GEO (all models)	50	1993 →	F	190	58.2	4	3	8.5	79	R	
	SV ROLLAND GARROS	50	1993 →	F	190	58.2	4	3	8.5	79	R	
	SV SPORT	50	1993 →	F	190	58.2	4	3	8.5	79	R	
	SV T (forcella telescopica)	50	1993 →	F	190	58.2	4	3	8.5	79	R	
	TREKKER	50	1997 →	F	190	58.2	4	3	8.5	79	R	
	TREKKER (forcelle Paioli)	50	1997 →	F	190	58.2	4	3	8.5	79	R	
	VIVACITY (forcelle Paioli)	50	1998 → 2007	F	190	58.2	4	3	8.5	79	R	
	SV EXECUTIVE	80	1996 →	F	190	58.2	4	3	8.5	79	R	
	TREKKER	100	1998 →	F	190	58.2	4	3	8.5	79	R	
	VIVACITY	100	1999 → 2001	F	190	58.2	4	3	8.5	79	R	
	SV GEO	125	1991 → 1992	F	190	58.2	4	3	8.5	79	R	
	SV GEO	125	1993 →	F	190	58.2	4	3	8.5	79	R	
PIAGGIO	NRG	50	1994 → 1996	F	190	58.2	4	3	8.5	79	R	
	NRG	50	1997 →	F	190	58.2	4	3	8.5	79	R	
	NRG EXTREME	50	1999 → 2000	F	190	58.2	4	3	8.5	79	R	
	NRG MC2	50	1996 →	F	190	58.2	4	3	8.5	79	R	
	NRG MC3	50	2001 → 2004	F	190	58.2	4	3	8.5	79	R	
	NTT	50	→ 1995	F	190	58.2	4	3	8.5	79	R	
	TYPHOON 2T (GRIMECA CAL./10 WHEELS)	50	2000 → 2004	F	190	58.2	4	3	8.5	79	R	
	TYPHOON 2T (HENG TONG CAL./10 WHEELS)	50	2001 → 2009	F	190	58.2	4	3	8.5	79	R	
RIEJU	FIRST H2O	50	1997 →	F	190	58.2	4	3	8.5	79	R	
YAMAHA	NEOS (Rear Drum Model)	50	1997 → 2006	F	190	58.2	4	3	8.5	79	R	
	NEOS (Rear Drum Model)	100	2000 → 2002	F	190	58.2	4	3	8.5	79	R	
FMD0003	APRILIA	100	2000 →	F	220	60	4	5	8	80	R	
	SCARABEO 4t	100	2004 →	F	220	60	4	5	8	80	R	
	LEONARDO	125	1995 → 2004	F	220	60	4	5	8	80	R	
	SCARABEO (motore Rotax)	125	1999 → 2003	R	220	60	4	5	8	80	R	
	SCARABEO GT	125	1999 → 2003	R	220	60	4	5	8	80	R	
	SPORT CITY	125	2004 → 2005	R	220	60	4	5	8	80	R	
	SPORT CITY CUBE	125	2008 → 2010	R	220	60	4	5	8	80	R	
	SPORT CITY EU3	125	2006 → 2008	R	220	60	4	5	8	80	R	
	LEONARDO	150	1997 → 1998	F	220	60	4	5	8	80	R	
	LEONARDO	150	1999 → 2004	F	220	60	4	5	8	80	R	
	SCARABEO	150	1998 → 2003	R	220	60	4	5	8	80	R	
	SCARABEO GT	150	2004 →	R	220	60	4	5	8	80	R	
	SCARABEO	200	2001 → 2003	R	220	60	4	5	8	80	R	
	SCARABEO GT	200	2002 →	R	220	60	4	5	8	80	R	
	SPORT CITY	200	2004 → 2005	R	220	60	4	5	8	80	R	
	SPORT CITY CUBE	200	2009 →	R	220	60	4	5	8	80	R	
	SPORT CITY EU3	200	2006 → 2008	R	220	60	4	5	8	80	R	
	LEONARDO	250	1999 → 2001	F	220	60	4	5	8	80	R	
	LEONARDO ST	250	2001 → 2004	F	220	60	4	5	8	80	R	
	SPORT CITY CUBE	250	2008 → 2010	R	220	60	4	5	8	80	R	
	SPORT CITY EU3	250	2006 →	R	220	60	4	5	8	80	R	
	LEONARDO	300	2002 → 2004	F	220	60	4	5	8	80	R	
BETA	EIKON	125	1999 →	F	220	60	4	5	8	80	R	
FMD0005	APRILIA	250	1995 → 2003	R	220	102.2	4	5	8.6	120	R	



CC

Front
Rear

Outside Dia (mm)

Inside Dia (mm)

Thickness (mm)

No. of Fixing hole

Fixing hole dia. (mm)

Fix. hole centreline diam (mm)

DISC TYPE

...FMD0005

	RST FUTURA	1000	2001	→	2003	R	220	102.2	4	5	8.6	120	R
	RSV	1000	1998	→	2000	R	220	102.2	4	5	8.6	120	R
	RSV	1000	2001	→	2002	R	220	102.2	4	5	8.6	120	R
	RSV R	1000	2000	→	2001	R	220	102.2	4	5	8.6	120	R
	RSV R	1000	2001	→	2005	R	220	102.2	4	5	8.6	120	R
	RSV R FACTORY	1000	2004	→	2008	R	220	102.2	4	5	8.6	120	R
	RSV R TUONO	1000	2003	→	2005	R	220	102.2	4	5	8.6	120	R
	RSV R TUONO FACTORY	1000	2006	→	2009	R	220	102.2	4	5	8.6	120	R
	RSV SP	1000	1999	→	2000	R	220	102.2	4	5	8.6	120	R
	RSV TUONO	1000	2002	→	2005	R	220	102.2	4	5	8.6	120	R
	RSV TUONO FIGTHER	1000	2003	→	2005	R	220	102.2	4	5	8.6	120	R
	RSV4 FACTORY	1000	2009	→	2010	R	220	102.2	4	5	8.6	120	R
	RSV4 FACTORY ABS	1000	2013	→		R	220	102.2	4	5	8.6	120	R
	RSV4 FACTORY APRC	1000	2011	→	2012	R	220	102.2	4	5	8.6	120	R
	RSV4 FACTORY APRC R - ABS	1000	2011	→	2013	R	220	102.2	4	5	8.6	120	R
	RSV4 R	1000	2010	→	2011	R	220	102.2	4	5	8.6	120	R
	RSV4 R APRC - ABS	1000	2011	→	2014	R	220	102.2	4	5	8.6	120	R
	RSV4 SBK RACING	1000	2009	→	2010	R	220	102.2	4	5	8.6	120	R
	SL FALCO	1000	2000	→	2004	R	220	102.2	4	5	8.6	120	R
	TUONO V4 R	1000	2011	→	2013	R	220	102.2	4	5	8.6	120	R
	TUONO V4 R APRC	1000	2011	→	2013	R	220	102.2	4	5	8.6	120	R
	TUONO V4 R APRC ABS	1000	2014	→		R	220	102.2	4	5	8.6	120	R
	CAPO NORD RALLY	1200	2013	→	2015	R	220	102.2	4	5	8.6	120	R
	CAPONORD	1200	2013	→	2014	R	220	102.2	4	5	8.6	120	R
BENELLI	TORNADO TRE	900	2003	→	2006	R	220	102.2	4	5	8.6	120	R
	TORNADO TRE RS	900	2004	→	2006	R	220	102.2	4	5	8.6	120	R
LAVERDA	SFC	1000	2003	→		R	220	102.2	4	5	8.6	120	R
MONDIAL	PIEGA (1000cc)	999	2003	→		R	220	102.2	4	5	8.6	120	R
	PIEGA EVO (1000cc)	999	2003	→		R	220	102.2	4	5	8.6	120	R
	PIEGA NUDA (1000cc)	999	2004	→		R	220	102.2	4	5	8.6	120	R
	RZ NUDA (1000cc)	999	2002	→		R	220	102.2	4	5	8.6	120	R
	RZ STARFIGHTER (1000cc)	999	2002	→		R	220	102.2	4	5	8.6	120	R
FMD0006	CAGIVA	50	1992	→	1994	F	157.5	58.2	4	3	10.5	80	R
	CITY	80	1993	→		F	157.5	58.2	4	3	10.5	80	R
	PASSING	125	1994	→		F	157.5	58.2	4	3	10.5	80	R
HONDA	DIO GP	50	1991	→		F	157.5	58.2	4	3	10.5	80	R
	DIO SR	50	1990	→		F	157.5	58.2	4	3	10.5	80	R
	DIO ZX	50	1992	→		F	157.5	58.2	4	3	10.5	80	R
	HSC all models	50	1992	→		F	157.5	58.2	4	3	10.5	80	R
	LIFE DIO ZX	50	1994	→		F	157.5	58.2	4	3	10.5	80	R
	SFX	50	1995	→		F	157.5	58.2	4	3	10.5	80	R
KYMCO	NH LEAD	125	1988	→		F	157.5	58.2	4	3	10.5	80	R
	CX	50	1994	→		F	157.5	58.2	4	3	10.5	80	R
	CX CURIO SUPER	50	1994	→		F	157.5	58.2	4	3	10.5	80	R
	FILLY LX	50	2001	→	2002	F	157.5	58.2	4	3	10.5	80	R
	HEROISM	50	1995	→	1996	F	157.5	58.2	4	3	10.5	80	R
	K 12	50	1995	→		F	157.5	58.2	4	3	10.5	80	R
	KB	50	1994	→		F	157.5	58.2	4	3	10.5	80	R
	SNIPER	50	1993	→		F	157.5	58.2	4	3	10.5	80	R
	SNIPER DD	50	1994	→	1996	F	157.5	58.2	4	3	10.5	80	R
	HEROISM	125	1995	→	1997	F	157.5	58.2	4	3	10.5	80	R
	HEROISM	150	1995	→	1997	F	157.5	58.2	4	3	10.5	80	R
SYM	CINDERELLA	50	1999	→	2002	F	157.5	58.2	4	3	10.5	80	R
	MIO	50	2006	→	2007	F	157.5	58.2	4	3	10.5	80	R
	SUPER FANCY	50	1999	→	2000	F	157.5	58.2	4	3	10.5	80	R
	CINDERELLA	100	1999	→		F	157.5	58.2	4	3	10.5	80	R
	ATTILA	125	1995	→	1998	F	157.5	58.2	4	3	10.5	80	R
	MEGALO	125	2006	→	2007	F	157.5	58.2	4	3	10.5	80	R
	NEW DUKE	125	2000	→	2001	F	157.5	58.2	4	3	10.5	80	R
	SR	125	1998	→		F	157.5	58.2	4	3	10.5	80	R
	SUPER DUKE	125	1999	→	2002	F	157.5	58.2	4	3	10.5	80	R
	ATTILA	150	2000	→	2001	F	157.5	58.2	4	3	10.5	80	R
FMD0007	BENELLI	125	2000	→	2002	F	220	58	4	5	6.5	80	R
	ADIVA	150	2000	→	2002	F	220	58	4	5	6.5	80	R
GILERA	RUNNER	50	1996	→		F	220	58	4	5	6.5	80	R
	RUNNER DD - SP	50	1997	→	2004	F	220	58	4	5	6.5	80	R
	RUNNER PURE JET	50	2002	→	2006	F	220	58	4	5	6.5	80	R
	RUNNER SP	50	1998	→	2006	F	220	58	4	5	6.5	80	R
	RUNNER SP RACE	50	2006	→		F	220	58	4	5	6.5	80	R
	RUNNER SP SC	50	2006	→	2007	F	220	58	4	5	6.5	80	R
	RUNNER	125	1997	→	1999	F	220	58	4	5	6.5	80	R
	RUNNER FX - FXR	125	1997	→	2002	F	220	58	4	5	6.5	80	R
	RUNNER SP	125	1999	→		F	220	58	4	5	6.5	80	R
	RUNNER VX / VXR 4T	125	2001	→	2004	F	220	58	4	5	6.5	80	R
	RUNNER	180	1997	→	1998	F	220	58	4	5	6.5	80	R
	RUNNER FXR	180	1998	→		F	220	58	4	5	6.5	80	R
	RUNNER SP	180	1999	→		F	220	58	4	5	6.5	80	R
	RUNNER VXR	180	2001	→	2004	F	220	58	4	5	6.5	80	R

12002



CC

Front
Rear

Outside Dia (mm)

Inside Dia (mm)

Thickness (mm)

No. of Fixing hole

Fixing hole dia. (mm)

Fix. hole centreline diam (mm)

DISC TYPE

Code	Brand	Model	CC	Year	Front/Rear	Outside Dia (mm)	Inside Dia (mm)	Thickness (mm)	No. of Fixing hole	Fixing hole dia. (mm)	Fix. hole centreline diam (mm)	DISC TYPE		
...FMD0007	PIAGGIO	RUNNER VXR	180	2001 → 2004	F	220	58	4	5	6.5	80	R		
		RUNNER VX / VXR 4T	200	2002 →	F	220	58	4	5	6.5	80	R		
		RUNNER VXR 4T	200	2005 → 2006	F	220	58	4	5	6.5	80	R		
		RUNNER VXR 4T RACE	200	2006 →	F	220	58	4	5	6.5	80	R		
		RUNNER VXR 4T ST EURO 3	200	2008 →	F	220	58	4	5	6.5	80	R		
		RUNNER VXR EURO 3	200	2007 →	F	220	58	4	5	6.5	80	R		
		SKIPPER 4T	125	1998 →	F	220	58	4	5	6.5	80	R		
		SKIPPER LX	125	1998 → 2002	F	220	58	4	5	6.5	80	R		
		SKIPPER ST 4T (grimeca caliper)	125	2000 → 2004	F	220	58	4	5	6.5	80	R		
		SKIPPER ST 4T (heng tong caliper)	125	2000 → 2004	F	220	58	4	5	6.5	80	R		
FMD0008	HONDA	SKIPPER 4T	150	2000 → 2002	F	220	58	4	5	6.5	80	R		
		SKIPPER LX	150	1998 → 2006	F	220	58	4	5	6.5	80	R		
		SKIPPER LXT	150	1998 → 2006	F	220	58	4	5	6.5	80	R		
		SH SPORTY	125	2011 →	F	240	105	4	4	10.5	125	R		
		SILVER WING	125	2007 → 2011	F	240	105	4	4	10.5	125	R		
		SILVER WING ABS	125	2007 → 2011	F	240	105	4	4	10.5	125	R		
		SH SPORTY	150	2011 →	F	240	105	4	4	10.5	125	R		
		FMD0009	BUELL	BLAST	500	2001 → 2009	R	240	105.5	5	4	10.5	125	R
				XB9R FIREBOLT	984	2002 → 2010	R	240	105.5	5	4	10.5	125	R
				XB9S LIGHTNING	984	2003 → 2010	R	240	105.5	5	4	10.5	125	R
XB9SX CITY X	984			2005 → 2010	R	240	105.5	5	4	10.5	125	R		
CR	1125			2009 → 2010	R	240	105.5	5	4	10.5	125	R		
R	1125			2008 → 2010	R	240	105.5	5	4	10.5	125	R		
1200 all models	1200			1994 → 1997	R	240	105.5	5	4	10.5	125	R		
M2 CYCLONE	1200			1998 → 2002	R	240	105.5	5	4	10.5	125	R		
RS	1200			1993 →	R	240	105.5	5	4	10.5	125	R		
RS X 1	1200			2001 →	R	240	105.5	5	4	10.5	125	R		
	CAGIVA	S1 LIGHTNING	1200	1998 → 2002	R	240	105.5	5	4	10.5	125	R		
		S1 WHITELIGHTNING	1200	1998 → 2002	R	240	105.5	5	4	10.5	125	R		
		S3 THUNDERBOLT	1200	1998 → 2002	R	240	105.5	5	4	10.5	125	R		
		S3T THUNDERBOLT	1200	1998 → 2002	R	240	105.5	5	4	10.5	125	R		
		X1 LIGHTNING	1200	1999 → 2002	R	240	105.5	5	4	10.5	125	R		
		XB12R FIREBOLT	1200	2004 → 2010	R	240	105.5	5	4	10.5	125	R		
		XB12S LIGHTNING	1200	2004 → 2008	R	240	105.5	5	4	10.5	125	R		
		XB12SCG LIGHTNING	1200	2006 → 2010	R	240	105.5	5	4	10.5	125	R		
		XB12SS LIGHTNING LONG	1200	2006 → 2010	R	240	105.5	5	4	10.5	125	R		
		XB12TT SUPER TT	1200	2007 → 2010	R	240	105.5	5	4	10.5	125	R		
	HONDA	XB12X SUPER TT	1200	2006 → 2010	R	240	105.5	5	4	10.5	125	R		
		ELEFANT	750	1994 → 1995	R	240	105.5	5	4	10.5	125	R		
		ELEFANT I.E.	900	1990 → 1992	R	240	105.5	5	4	10.5	125	R		
		ELEFANT I.E.	900	1993 → 1996	R	240	105.5	5	4	10.5	125	R		
		GRAN CANYON	900	1999 → 2004	R	240	105.5	5	4	10.5	125	R		
		NAVIGATOR	1000	2000 → 2005	R	240	105.5	5	4	10.5	125	R		
		SH (rear disc version)	125	2009 →	R	240	105.5	5	4	10.5	125	R		
		SH i	125	2009 → 2012	R	240	105.5	5	4	10.5	125	R		
		SH (rear disc version)	150	2009 →	R	240	105.5	5	4	10.5	125	R		
		CB TWO FIFTY	250	1993 → 2005	F	240	105.5	5	4	10.5	125	R		
FMD0010	HONDA	FORZA X NSS	250	2005 → 2007	R	240	105.5	5	4	10.5	125	R		
		FORZA X NSS	250	2008 →	R	240	105.5	5	4	10.5	125	R		
		FORZA XE NSS	250	2005 → 2007	R	240	105.5	5	4	10.5	125	R		
		FORZA XE NSS	250	2008 →	R	240	105.5	5	4	10.5	125	R		
		CB	500	1997 → 2003	R	240	105.5	5	4	10.5	125	R		
		CB S	500	1998 → 2002	R	240	105.5	5	4	10.5	125	R		
		XL V TRANSALP	600	1991 → 1996	R	240	105.5	5	4	10.5	125	R		
		XL V TRANSALP	600	1997 → 1999	R	240	105.5	5	4	10.5	125	R		
		XL V TRANSALP	650	2000 → 2007	R	240	105.5	5	4	10.5	125	R		
		XRV AFRICA TWIN	650	1988 → 1990	R	240	105.5	5	4	10.5	125	R		
FMD0011	HONDA	XL V TRANSALP	700	2008 → 2011	R	240	105.5	5	4	10.5	125	R		
		XL V TRANSALP ABS	700	2008 → 2011	R	240	105.5	5	4	10.5	125	R		
		CB N SEVEN FIFTY	750	1992 → 2002	R	240	105.5	5	4	10.5	125	R		
		CB F HORNET	900	2002 → 2006	R	240	105.5	5	4	10.5	125	R		
		CB HORNET	900	2002 → 2007	R	240	105.5	5	4	10.5	125	R		
		CBR R	125	2003 → 2011	F	276	144	5	6	10.5	166	R		
		VFR R	400	1987 → 1988	F	276	144	5	6	10.5	166	R		
		VFR Z	400	1986 → 1987	F	276	144	5	6	10.5	166	R		
		CBR F	600	1987 → 1990	F	276	144	5	6	10.5	166	R		
		CBR F	600	1991 → 1994	F	276	144	5	6	10.5	166	R		
FMD0011	HONDA	SILVER WING	600	2007 → 2007	F	276	144	5	6	10.5	166	R		
		SILVER WING ABS	600	2003 → 2007	F	276	144	5	6	10.5	166	R		
		FX VIGOR	650	1999 → 2003	F	276	144	5	6	10.5	166	R		
		VIGOR	650	1999 → 2002	F	276	144	5	6	10.5	166	R		
		CBX F	750	1983 → 1988	F	276	144	5	6	10.5	166	R		
		VFR F	750	1986 → 1987	F	276	144	5	6	10.5	166	R		
		XLV R	750	1983 → 1987	F	276	144	5	6	10.5	166	R		
		VF F	1000	1984 → 1988	F	276	144	5	6	10.5	166	R		
		VF R	1000	1986 → 1987	F	276	144	5	6	10.5	166	R		
		TIGER	900	1993 → 1998	F	276	144	5	6	10.5	166	R		
	TRIUMPH	XLR R BAJA	250	1988 → 1990	R	220	105.5	5	4	6.3	125	R		



CC

Front
Rear

Outside Dia (mm)

Inside Dia (mm)

Thickness (mm)

No. of Fixing hole

Fixing hole dia. (mm)

Fix. hole centralise diam (mm)

DISC TYPE

Code	Brand	Model	CC	Year	Direction	Front	Rear	Outside Dia (mm)	Inside Dia (mm)	Thickness (mm)	No. of Fixing hole	Fixing hole dia. (mm)	Fix. hole centralise diam (mm)	DISC TYPE
...FMD0011		XLR R BAJA	250	1991	→	R	R	220	105.5	5	4	6.3	125	R
		FMX	650	2005	→ 2008	R	R	220	105.5	5	4	6.3	125	R
		NX DOMINATOR	650	1993	→ 2004	R	R	220	105.5	5	4	6.3	125	R
		SLR	650	1997	→ 1998	R	R	220	105.5	5	4	6.3	125	R
FMD0012	HONDA	VIGOR	650	1999	→ 2002	R	R	220	105.5	5	4	6.3	125	R
		FORZA ABS	125	2015	→	F	F	256	144	5	6	10.5	166	R
		FORZA ABS	300	2014	→ 2015	F	F	256	144	5	6	10.5	166	R
		NSR	400	1985	→ 1988	F	F	256	144	5	6	10.5	166	R
		SILVER WING	400	2006	→ 2008	F	F	256	144	5	6	10.5	166	R
		VFR R	400	1986	→ 1987	F	F	256	144	5	6	10.5	166	R
		VF F-F2	500	1983	→ 1984	F/R	F/R	256	144	5	6	10.5	166	R
		SILVER WING	600	2001	→ 2006	F	F	256	144	5	6	10.5	166	R
		VFR F	750	1986	→ 1987	R	R	256	144	5	6	10.5	166	R
		VFR F	750	1988	→ 1989	R	R	256	144	5	6	10.5	166	R
		CBR F	1000	1993	→ 1997	R	R	256	144	5	6	10.5	166	R
		FMD0013	HONDA	CB X-11	1100	2000	→ 2003	R	R	256	144	5	6	10.5
X ELEVEN	1100			2000	→ 2003	R	R	256	144	5	6	10.5	166	R
SH FIFTY	50			1996	→	F	F	220	88	4	3	10.4	110	R
FMD0014	HONDA	SH	100	1997	→	F	F	220	88	4	3	10.4	110	R
		WHY	50	1997	→	F	F	220	88	4	3	10.4	110	R
FMD0015	HONDA	PANTHEON FES	125	2003	→ 2007	R	R	220	105	5	4	10.5	125	R
		S-WING FES	125	2008	→	R	R	220	105	5	4	10.5	125	R
		PANTHEON FES	150	2003	→ 2007	R	R	220	105	5	4	10.5	125	R
		S-WING FES	150	2007	→	R	R	220	105	5	4	10.5	125	R
		CBR R	250	2011	→ 2013	R	R	220	105	5	4	10.5	125	R
		FORESIGHT	250	1999	→ 2007	R	R	220	105	5	4	10.5	125	R
		FORZA NSS	250	2000	→ 2004	R	R	220	105	5	4	10.5	125	R
		HORNET	250	1997	→	R	R	220	105	5	4	10.5	125	R
		JAZZ	250	2001	→ 2004	R	R	220	105	5	4	10.5	125	R
		VTR	250	1998	→	R	R	220	105	5	4	10.5	125	R
		XELVIS V-25	250	1997	→	R	R	220	105	5	4	10.5	125	R
		CB N	400	1982	→ 1988	R	R	220	105	5	4	10.5	125	R
		CBR F3	600	2003	→	R	R	220	105	5	4	10.5	125	R
		CBR RR	600	2007	→ 2014	R	R	220	105	5	4	10.5	125	R
		CBR RR - ABS	600	2009	→ 2014	R	R	220	105	5	4	10.5	125	R
		NX DOMINATOR	650	1988	→ 1992	R	R	220	105	5	4	10.5	125	R
		NX DOMINATOR J-K	650	1988	→ 1992	R	R	220	105	5	4	10.5	125	R
		XR L	650	1993	→ 2012	R	R	220	105	5	4	10.5	125	R
		CBR RR	900	1998	→ 1999	R	R	220	105	5	4	10.5	125	R
		CBR RR	1000	2004	→ 2005	R	R	220	105	5	4	10.5	125	R
		CBR RR	1000	2006	→ 2007	R	R	220	105	5	4	10.5	125	R
		CBR RR	1000	2008	→ 2015	R	R	220	105	5	4	10.5	125	R
		CBR RR - ABS	1000	2009	→ 2015	R	R	220	105	5	4	10.5	125	R
		BABY SPEED	600	2001	→ 2002	R	R	220	105	5	4	10.5	125	R
		DAYTONA	600	2003	→ 2007	R	R	220	105	5	4	10.5	125	R
		SPEED FOUR	600	2003	→ 2006	R	R	220	105	5	4	10.5	125	R
		TT	600	2000	→ 2003	R	R	220	105	5	4	10.5	125	R
		DAYTONA	675	2006	→ 2012	R	R	220	105	5	4	10.5	125	R
		DAYTONA R	675	2011	→ 2012	R	R	220	105	5	4	10.5	125	R
		STREET TRIPLE	675	2007	→ 2012	R	R	220	105	5	4	10.5	125	R
		STREET TRIPLE R	675	2009	→ 2012	R	R	220	105	5	4	10.5	125	R
		SPEED TRIPLE T509	900	1997	→ 1998	R	R	220	105	5	4	10.5	125	R
		DAYTONA T595	950	1996	→ 1998	R	R	220	105	5	4	10.5	125	R
		DAYTONA T955i	955	1999	→ 2001	R	R	220	105	5	4	10.5	125	R
		DAYTONA T955i	955	2002	→ 2006	R	R	220	105	5	4	10.5	125	R
		SPEED TRIPLE T955	955	1999	→ 2001	R	R	220	105	5	4	10.5	125	R
		SPEED TRIPLE T955	955	2002	→ 2004	R	R	220	105	5	4	10.5	125	R
		T955 DAYTONA	955	1999	→ 2001	R	R	220	105	5	4	10.5	125	R
		T955 SPEED TRIPLE	955	1999	→ 2001	R	R	220	105	5	4	10.5	125	R
		SPEED TRIPLE	1050	2005	→ 2010	R	R	220	105	5	4	10.5	125	R
		CRF F	150	2003	→ 2008	F	F	240	118	4	4	6.5	134	R
		CRF F	230	2004	→ 2008	F	F	240	118	4	4	6.5	134	R
CRF TRAIL	230	2004	→ 2010	F	F	240	118	4	4	6.5	134	R		
SL	230	1997	→ 2001	F	F	240	118	4	4	6.5	134	R		
XLR R BAJA	250	1988	→ 1990	F	F	240	118	4	4	6.5	134	R		
XLR R BAJA	250	1991	→	F	F	240	118	4	4	6.5	134	R		
XR	250	2000	→ 2003	F	F	240	118	4	4	6.5	134	R		
XR BAJA	250	2000	→ 2003	F	F	240	118	4	4	6.5	134	R		
XR R	250	1988	→ 1990	F	F	240	118	4	4	6.5	134	R		
XR R	250	1991	→ 2004	F	F	240	118	4	4	6.5	134	R		
XR R, S	250	1994	→	F	F	240	118	4	4	6.5	134	R		
XR R	400	1995	→ 2005	F	F	240	118	4	4	6.5	134	R		
XR R (DALLARA)	440	1999	→	F	F	240	118	4	4	6.5	134	R		
XL L	600	1985	→ 1987	F	F	240	118	4	4	6.5	134	R		
XL R	600	1983	→ 1987	F	F	240	118	4	4	6.5	134	R		
XR L - R	600	1993	→ 2000	F	F	240	118	4	4	6.5	134	R		
XR R	600	1985	→ 1990	F	F	240	118	4	4	6.5	134	R		
XR R	600	1991	→ 1999	F	F	240	118	4	4	6.5	134	R		



CC

Front
Rear

Outside Dia (mm)

Inside Dia (mm)

Thickness (mm)

No. of Fixing hole

Fixing hole dia. (mm)

Fit. hole centralline diam (mm)

DISC TYPE

...FMD0015

FMD0017

BETA

HUSABERG

HUSQVARNA

KTM

XR R	650	2000	→	2007	F	240	118	4	4	6.5	134	R
XR R	650	2008	→		F	240	118	4	4	6.5	134	R
RR	250	2013	→		F	260	127	3	6	6.5	143	RF
RR	300	2013	→		F	260	127	3	6	6.5	143	RF
RR EFI	350	2015	→		F	260	127	3	6	6.5	143	RF
RR EFI RACING	350	2015	→		F	260	127	3	6	6.5	143	RF
RR ENDURO	350	2013	→	2014	F	260	127	3	6	6.5	143	RF
RR	390	2015	→		F	260	127	3	6	6.5	143	RF
RR	430	2015	→		F	260	127	3	6	6.5	143	RF
RR RACING	430	2015	→		F	260	127	3	6	6.5	143	RF
RR CROSS	450	2013	→	2014	F	260	127	3	6	6.5	143	RF
RR ENDURO	450	2013	→	2014	F	260	127	3	6	6.5	143	RF
RR	480	2015	→		F	260	127	3	6	6.5	143	RF
RR RACING	480	2015	→		F	260	127	3	6	6.5	143	RF
RR ENDURO	498	2013	→		F	260	127	3	6	6.5	143	RF
FE	390	2011	→	2012	F	260	127	3	6	6.5	143	RF
FE	390	2013	→		F	260	127	3	6	6.5	143	RF
FC	400	1999	→	2002	F	260	127	3	6	6.5	143	RF
FE	400	2000	→	2003	F	260	127	3	6	6.5	143	RF
FE E	400	2001	→	2003	F	260	127	3	6	6.5	143	RF
FE S - E	400	1998	→	1999	F	260	127	3	6	6.5	143	RF
FS C	400	2001	→	2003	F	260	127	3	6	6.5	143	RF
FS E	400	2001	→	2003	F	260	127	3	6	6.5	143	RF
FC	450	1998	→	2003	F	260	127	3	6	6.5	143	RF
FE	450	2009	→	2012	F	260	127	3	6	6.5	143	RF
FE E	450	2004	→		F	260	127	3	6	6.5	143	RF
FX	450	2003	→	2009	F	260	127	3	6	6.5	143	RF
FX	450	2010	→		F	260	127	3	6	6.5	143	RF
FC E	470	2001	→	2002	F	260	127	3	6	6.5	143	RF
FX E	470	2001	→	2002	F	260	127	3	6	6.5	143	RF
FC	501	1998	→	1999	F	260	127	3	6	6.5	143	RF
FC	501	1999	→	2003	F	260	127	3	6	6.5	143	RF
FE E	501	1999	→	2004	F	260	127	3	6	6.5	143	RF
FE S	501	1999	→	2004	F	260	127	3	6	6.5	143	RF
FE S - E	501	1998	→	2004	F	260	127	3	6	6.5	143	RF
FC	550	2001	→	2005	F	260	127	3	6	6.5	143	RF
FC	550	2006	→		F	260	127	3	6	6.5	143	RF
FE E	550	2004	→	2008	F	260	127	3	6	6.5	143	RF
FE	570	2009	→	2010	F	260	127	3	6	6.5	143	RF
FE	570	2010	→	2012	F	260	127	3	6	6.5	143	RF
FC	600	1999	→	2003	F	260	127	3	6	6.5	143	RF
FE E	600	1999	→	2002	F	260	127	3	6	6.5	143	RF
FE S	600	1999	→	2003	F	260	127	3	6	6.5	143	RF
FE E	650	2001	→	2008	F	260	127	3	6	6.5	143	RF
FS E - C	650	2001	→	2004	F	260	127	3	6	6.5	143	RF
FX E	650	2001	→	2005	F	260	127	3	6	6.5	143	RF
FX E	650	2006	→		F	260	127	3	6	6.5	143	RF
TC	125	2014	→		F	260	127	3	6	6.5	143	RF
TE	125	2014	→	2015	F	260	127	3	6	6.5	143	RF
TE 4T	125	2011	→	2013	F	260	127	3	6	6.5	143	RF
FC	250	2014	→	2015	F	260	127	3	6	6.5	143	RF
FE	250	2014	→	2015	F	260	127	3	6	6.5	143	RF
TC	250	2014	→		F	260	127	3	6	6.5	143	RF
TE	250	2014	→	2015	F	260	127	3	6	6.5	143	RF
TC	300	2014	→		F	260	127	3	6	6.5	143	RF
TE	300	2014	→	2015	F	260	127	3	6	6.5	143	RF
FC	350	2014	→	2015	F	260	127	3	6	6.5	143	RF
FE	350	2014	→	2015	F	260	127	3	6	6.5	143	RF
FC	450	2014	→	2015	F	260	127	3	6	6.5	143	RF
FE	450	2014	→	2015	F	260	127	3	6	6.5	143	RF
TE	450	2014	→		F	260	127	3	6	6.5	143	RF
FE	501	2014	→	2015	F	260	127	3	6	6.5	143	RF
ECX-SX	125	1998	→	1999	F	260	127	3	6	6.5	143	RF
EXC	125	1990	→	1993	F	260	127	3	6	6.5	143	RF
EXC	125	1998	→	2014	F	260	127	3	6	6.5	143	RF
EXC	125	2015	→		F	260	127	3	6	6.5	143	RF
EXC SIX DAYS	125	2004	→	2008	F	260	127	3	6	6.5	143	RF
EXC SIX DAYS	125	2009	→	2014	F	260	127	3	6	6.5	143	RF
EXC SIX DAYS	125	2015	→		F	260	127	3	6	6.5	143	RF
EXC-SX	125	2000	→	2007	F	260	127	3	6	6.5	143	RF
EXC/EGS	125	1994	→	1997	F	260	127	3	6	6.5	143	RF
EXE	125	2000	→	2011	F	260	127	3	6	6.5	143	RF
GS	125	1993	→	1997	F	260	127	3	6	6.5	143	RF
MX	125	1992	→	2000	F	260	127	3	6	6.5	143	RF
SX	125	1993	→	2014	F	260	127	3	6	6.5	143	RF
SX	125	2015	→		F	260	127	3	6	6.5	143	RF
SXS	125	2000	→	2010	F	260	127	3	6	6.5	143	RF
SX	144	2007	→	2010	F	260	127	3	6	6.5	143	RF



CC

Front
Rear

Outside Dia (mm)

Inside Dia (mm)

Thickness (mm)

No. of Fixing hole

Fixing hole dia. (mm)

Fix. hole centreline diam (mm)

DISC TYPE

...FMD0017

SX	150	2008	→	2014	F	260	127	3	6	6.5	143	RF
SX	150	2015	→		F	260	127	3	6	6.5	143	RF
XC	150	2011	→	2015	F	260	127	3	6	6.5	143	RF
EGS	200	1998	→	1999	F	260	127	3	6	6.5	143	RF
EXC	200	1998	→	2014	F	260	127	3	6	6.5	143	RF
EXC	200	2008	→	2014	F	260	127	3	6	6.5	143	RF
EXC	200	2015	→		F	260	127	3	6	6.5	143	RF
SX	200	2003	→	2007	F	260	127	3	6	6.5	143	RF
XC W	200	2011	→	2015	F	260	127	3	6	6.5	143	RF
EGS	250	1994	→	1999	F	260	127	3	6	6.5	143	RF
EXC	250	1994	→	1997	F	260	127	3	6	6.5	143	RF
EXC	250	1998	→	2014	F	260	127	3	6	6.5	143	RF
EXC	250	2015	→		F	260	127	3	6	6.5	143	RF
EXC F	250	2007	→	2014	F	260	127	3	6	6.5	143	RF
EXC F SIX DAYS	250	2007	→	2008	F	260	127	3	6	6.5	143	RF
EXC F SIX DAYS	250	2009	→	2014	F	260	127	3	6	6.5	143	RF
EXC RACING (4T)	250	2000	→	2006	F	260	127	3	6	6.5	143	RF
EXC SIX DAYS	250	2004	→	2008	F	260	127	3	6	6.5	143	RF
EXC SIX DAYS	250	2009	→	2014	F	260	127	3	6	6.5	143	RF
GS	250	1993	→	1997	F	260	127	3	6	6.5	143	RF
GS	250	1998	→	2000	F	260	127	3	6	6.5	143	RF
MX	250	1992	→	2013	F	260	127	3	6	6.5	143	RF
SX	250	1993	→	2014	F	260	127	3	6	6.5	143	RF
SX	250	2015	→		F	260	127	3	6	6.5	143	RF
SX F	250	2005	→	2014	F	260	127	3	6	6.5	143	RF
SX F	250	2015	→		F	260	127	3	6	6.5	143	RF
SXS	250	2001	→	2003	F	260	127	3	6	6.5	143	RF
XC (2T)	250	1994	→	2015	F	260	127	3	6	6.5	143	RF
XC F	250	2007	→	2013	F	260	127	3	6	6.5	143	RF
XC W	250	2011	→	2012	F	260	127	3	6	6.5	143	RF
XC W	250	2013	→		F	260	127	3	6	6.5	143	RF
XCF W	250	2012	→	2013	F	260	127	3	6	6.5	143	RF
XCF W	250	2014	→		F	260	127	3	6	6.5	143	RF
EXC	300	1994	→	1996	F	260	127	3	6	6.5	143	RF
EXC	300	1997	→	2013	F	260	127	3	6	6.5	143	RF
EXC EGS	300	1993	→	1999	F	260	127	3	6	6.5	143	RF
EXC SIX DAYS (2T)	300	2006	→	2008	F	260	127	3	6	6.5	143	RF
EXC SIX DAYS (2T)	300	2009	→	2013	F	260	127	3	6	6.5	143	RF
EXC-SX	300	1997	→	2002	F	260	127	3	6	6.5	143	RF
GS	300	1991	→	1996	F	260	127	3	6	6.5	143	RF
GS	300	1997	→	2000	F	260	127	3	6	6.5	143	RF
SX	300	1993	→	2000	F	260	127	3	6	6.5	143	RF
XC (2T)	300	2011	→	2012	F	260	127	3	6	6.5	143	RF
EXC F	350	2012	→	2014	F	260	127	3	6	6.5	143	RF
EXC F	350	2015	→		F	260	127	3	6	6.5	143	RF
EXC F SIX DAYS	350	2012	→	2013	F	260	127	3	6	6.5	143	RF
GS	350	1993	→	2000	F	260	127	3	6	6.5	143	RF
SX-F	350	2011	→	2014	F	260	127	3	6	6.5	143	RF
XC-F	350	2011	→	2012	F	260	127	3	6	6.5	143	RF
XCF-W	350	2011	→	2013	F	260	127	3	6	6.5	143	RF
EXC	360	1996	→	1997	F	260	127	3	6	6.5	143	RF
SX	360	1996	→	1997	F	260	127	3	6	6.5	143	RF
EXC	380	1998	→	2002	F	260	127	3	6	6.5	143	RF
MXC	380	1998	→	2001	F	260	127	3	6	6.5	143	RF
MXC	380	2001	→	2002	F	260	127	3	6	6.5	143	RF
SX	380	1998	→	2002	F	260	127	3	6	6.5	143	RF
EGS	400	1996	→	1999	F	260	127	3	6	6.5	143	RF
EXC	400	1994	→	2005	F	260	127	3	6	6.5	143	RF
EXC RACING	400	2000	→	2007	F	260	127	3	6	6.5	143	RF
EXC-G RACING	400	2004	→	2007	F	260	127	3	6	6.5	143	RF
EXC-G RACING	400	2008	→		F	260	127	3	6	6.5	143	RF
MXC	400	2000	→	2001	F	260	127	3	6	6.5	143	RF
MXC	400	2002	→		F	260	127	3	6	6.5	143	RF
SX	400	2000	→	2002	F	260	127	3	6	6.5	143	RF
SX	400	2003	→		F	260	127	3	6	6.5	143	RF
SX RACING	400	2002	→		F	260	127	3	6	6.5	143	RF
SXC	400	1999	→	2000	F	260	127	3	6	6.5	143	RF
EXC	450	2003	→	2007	F	260	127	3	6	6.5	143	RF
EXC R	450	2008	→	2009	F	260	127	3	6	6.5	143	RF
EXC R	450	2009	→	2010	F	260	127	3	6	6.5	143	RF
EXC R	450	2011	→		F	260	127	3	6	6.5	143	RF
EXC RACING	450	2003	→	2007	F	260	127	3	6	6.5	143	RF
EXC-R RACING (USA)	450	2011	→		F	260	127	3	6	6.5	143	RF
MXC	450	2003	→	2006	F	260	127	3	6	6.5	143	RF
MXC	450	2007	→		F	260	127	3	6	6.5	143	RF
SX	450	2003	→	2005	F	260	127	3	6	6.5	143	RF
SX	450	2006	→		F	260	127	3	6	6.5	143	RF
SX-F	450	2003	→	2014	F	260	127	3	6	6.5	143	RF

12006



CC

Front
Rear

					Outside Dia (mm)	Inside Dia (mm)	Thickness (mm)	No. of Fixing hole	Fixing hole dia. (mm)	Fix. hole centreline diam (mm)	DISC TYPE	
...FMD0017	SX-F FACTORY REPLICA	450	2012	→	F	260	127	3	6	6.5	143	RF
	XC	450	2006	→	F	260	127	3	6	6.5	143	RF
	XC W	450	2008	→	F	260	127	3	6	6.5	143	RF
	XC W	450	2010	→	F	260	127	3	6	6.5	143	RF
	XC-W SIX DAYS (USA)	450	2011	→	F	260	127	3	6	6.5	143	RF
	EXC	500	2012	→	F	260	127	3	6	6.5	143	RF
	EXC/MX	500	1992	→	F	260	127	3	6	6.5	143	RF
	LC4 EXC/EGS	500	1992	→	F	260	127	3	6	6.5	143	RF
	XC-W	500	2012	→	F	260	127	3	6	6.5	143	RF
	SX F	505	2007	→	F	260	127	3	6	6.5	143	RF
	XC F	505	2007	→	F	260	127	3	6	6.5	143	RF
	EXC	520	2000	→	F	260	127	3	6	6.5	143	RF
	EXC RACING	520	2000	→	F	260	127	3	6	6.5	143	RF
	EXC RACING	520	2002	→	F	260	127	3	6	6.5	143	RF
	MXC	520	2001	→	F	260	127	3	6	6.5	143	RF
	MXC	520	2003	→	F	260	127	3	6	6.5	143	RF
	SX	520	2000	→	F	260	127	3	6	6.5	143	RF
	SX	520	2003	→	F	260	127	3	6	6.5	143	RF
	EXC	525	2003	→	F	260	127	3	6	6.5	143	RF
	EXC RACING	525	2003	→	F	260	127	3	6	6.5	143	RF
	MXC	525	2003	→	F	260	127	3	6	6.5	143	RF
	SX	525	2003	→	F	260	127	3	6	6.5	143	RF
	SX	525	2006	→	F	260	127	3	6	6.5	143	RF
	XC	525	2006	→	F	260	127	3	6	6.5	143	RF
	XC DESERT RACING	525	2006	→	F	260	127	3	6	6.5	143	RF
	EXC R	530	2008	→	F	260	127	3	6	6.5	143	RF
	EXC R	530	2010	→	F	260	127	3	6	6.5	143	RF
	EXC-R RACING (USA)	530	2011	→	F	260	127	3	6	6.5	143	RF
	XC-W	530	2008	→	F	260	127	3	6	6.5	143	RF
	XC-W	530	2011	→	F	260	127	3	6	6.5	143	RF
	XC-W SIX DAYS	530	2011	→	F	260	127	3	6	6.5	143	RF
	XC-W SIX DAYS (USA)	530	2011	→	F	260	127	3	6	6.5	143	RF
	SXC	540	1998	→	F	260	127	3	6	6.5	143	RF
	SXC	540	1999	→	F	260	127	3	6	6.5	143	RF
	GS	600	1993	→	F	260	127	3	6	6.5	143	RF
	LC4	600	1990	→	F	260	127	3	6	6.5	143	RF
	LC4	600	1991	→	F	260	127	3	6	6.5	143	RF
	LC4	600	1992	→	F	260	127	3	6	6.5	143	RF
	LC4 RXC	620	1996	→	F	260	127	3	6	6.5	143	RF
	LC4 SC	620	1998	→	F	260	127	3	6	6.5	143	RF
	LC4 SC SUPERCOMP	620	1998	→	F	260	127	3	6	6.5	143	RF
	LC4 SUPERMOTO	620	1999	→	F	260	127	3	6	6.5	143	RF
	LC4 SX	620	1995	→	F	260	127	3	6	6.5	143	RF
	LC4 SC SUPERCOMP	625	2002	→	F	260	127	3	6	6.5	143	RF
	LC4 SXC	625	2003	→	F	260	127	3	6	6.5	143	RF
	SXC	625	2003	→	F	260	127	3	6	6.5	143	RF
	LC4 SUPERMOTO	640	1998	→	F	260	127	3	6	6.5	143	RF
FMD0018	HUSQVARNA	125	1996	→	F	260	120.2	3	4	6.5	135	R
	CR	125	2004	→	F	260	120.2	3	4	6.5	135	R
	WR	125	1998	→	F	260	120.2	3	4	6.5	135	R
	WR	125	2004	→	F	260	120.2	3	4	6.5	135	R
	WRE	125	1995	→	F	260	120.2	3	4	6.5	135	R
	WRE	125	2005	→	F	260	120.2	3	4	6.5	135	R
	WRE DUAL	125	1995	→	F	260	120.2	3	4	6.5	135	R
	CR	250	1996	→	F	260	120.2	3	4	6.5	135	R
	CR	250	2004	→	F	260	120.2	3	4	6.5	135	R
	TC	250	2002	→	F	260	120.2	3	4	6.5	135	R
	TE	250	2002	→	F	260	120.2	3	4	6.5	135	R
	TE	250	2004	→	F	260	120.2	3	4	6.5	135	R
	TXC	250	2010	→	F	260	120.2	3	4	6.5	135	R
	WR	250	1998	→	F	260	120.2	3	4	6.5	135	R
	WR	250	2004	→	F	260	120.2	3	4	6.5	135	R
	WR	250	2007	→	F	260	120.2	3	4	6.5	135	R
	WR	360	2000	→	F	260	120.2	3	4	6.5	135	R
	WR	360	2002	→	F	260	120.2	3	4	6.5	135	R
	TC	400	2002	→	F	260	120.2	3	4	6.5	135	R
	TE	410	2000	→	F	260	120.2	3	4	6.5	135	R
	TE	410	2002	→	F	260	120.2	3	4	6.5	135	R
	TC	449	2011	→	F	260	120.2	3	4	6.5	135	R
	TE	449	2011	→	F	260	120.2	3	4	6.5	135	R
	TC	450	2002	→	F	260	120.2	3	4	6.5	135	R
	TC	450	2004	→	F	260	120.2	3	4	6.5	135	R
	TE	450	2002	→	F	260	120.2	3	4	6.5	135	R
	TC	510	2002	→	F	260	120.2	3	4	6.5	135	R
	TC	510	2004	→	F	260	120.2	3	4	6.5	135	R
	TE	510	2002	→	F	260	120.2	3	4	6.5	135	R
	TE	511	2011	→	F	260	120.2	3	4	6.5	135	R
	TC	570	2001	→	F	260	120.2	3	4	6.5	135	R



CC

Front
Rear

Outside Dia (mm)

Inside Dia (mm)

Thickness (mm)

No. of Fixing hole

Fixing hole dia. (mm)

Fix. hole centreline diam (mm)

DISC TYPE

Code	Brand	Model	CC	Year	Front/Rear	Outside Dia (mm)	Inside Dia (mm)	Thickness (mm)	No. of Fixing hole	Fixing hole dia. (mm)	Fix. hole centreline diam (mm)	DISC TYPE	
...FMD0018		TC	570	2002 → 2013	F	260	120.2	3	4	6.5	135	R	
		TE	570	2001 → 2002	F	260	120.2	3	4	6.5	135	R	
		TE	570	2002 → 2013	F	260	120.2	3	4	6.5	135	R	
		TE E	610	2000 → 2003	F	260	120.2	3	4	6.5	135	R	
FMD0019	ITALJET	TE E	610	2004 → 2013	F	260	120.2	3	4	6.5	135	R	
		DRAGSTER	50	1997 →	F	174	38	4	5	6.5	60	R	
		FORMULA	50	1994 → 1996	F	174	38	4	5	6.5	60	R	
		FORMULA	50	1997 →	F	174	38	4	5	6.5	60	R	
		DRAGSTER	125	1997 →	F	174	38	4	5	6.5	60	R	
		FORMULA	125	1994 → 1996	F	174	38	4	5	6.5	60	R	
		FORMULA	125	1997 →	F	174	38	4	5	6.5	60	R	
		DRAGSTER	180	1997 →	F	174	38	4	5	6.5	60	R	
		EN VULCAN	500	1990 → 1993	F	270	130	6	7	10.5	150	R	
		Z 1000	1000	1981 → 1983	R	270	130	6	7	10.5	150	R	
FMD0020	KAWASAKI												
FMD0021	KAWASAKI	KX	125	2000 → 2002	F	250	100.4	3	4	6.5	116	R	
		KX	250	2000 → 2002	F	250	100.4	3	4	6.5	116	R	
		KX	500	2000 → 2004	F	250	100.4	3	4	6.5	116	R	
FMD0022	BENELLI	VELVET DUSK	400	2003 →	R	200	96	4	5	6.5	107	R	
		GILERA	DNA	50	2000 → 2007	R	200	96	4	5	6.5	107	R
			DNA GP EXPERIENCE	50	2003 → 2004	R	200	96	4	5	6.5	107	R
			DNA	125	2001 →	R	200	96	4	5	6.5	107	R
			RUNNER VX / VXR 4T	125	2001 → 2004	R	200	96	4	5	6.5	107	R
		RUNNER VXR	180	2001 → 2004	R	200	96	4	5	6.5	107	R	
		RUNNER VX / VXR 4T	200	2002 →	R	200	96	4	5	6.5	107	R	
		RUNNER VXR 4T	200	2005 → 2006	R	200	96	4	5	6.5	107	R	
		RUNNER VXR 4T RACE	200	2006 →	R	200	96	4	5	6.5	107	R	
		RUNNER VXR 4T ST EURO 3	200	2008 →	R	200	96	4	5	6.5	107	R	
	RUNNER VXR EURO 3	200	2007 →	R	200	96	4	5	6.5	107	R		
	MALAGUTI	CENTRO BASE	50	1993 → 1994	F	200	96	4	5	6.5	107	R	
		CENTRO SL CAT	50	1994 → 2000	F	200	96	4	5	6.5	107	R	
		F12 PHANTOM twin disk	50	1998 →	F	200	96	4	5	6.5	107	R	
		PIAGGIO	FLY 2T	50	2005 →	F	200	96	4	5	6.5	107	R
			FLY 4T	50	2005 → 2010	F	200	96	4	5	6.5	107	R
			FREE (ruote in lega)	50	1996 →	F	200	96	4	5	6.5	107	R
			QUARTZ (Rear Drum Model)	50	1991 → 1995	F	200	96	4	5	6.5	107	R
			SFERA ET2	50	1997 →	F	200	96	4	5	6.5	107	R
			SFERA RST	50	1995 →	F	200	96	4	5	6.5	107	R
			VESPA ET2	50	1997 →	F	200	96	4	5	6.5	107	R
	VESPA ET2 4T		50	2000 → 2001	F	200	96	4	5	6.5	107	R	
	VESPA ET2 INIEZIONE		50	1999 →	F	200	96	4	5	6.5	107	R	
	VESPA ET4		50	2001 → 2004	F	200	96	4	5	6.5	107	R	
	VESPA LX 2T	50	2005 →	F	200	96	4	5	6.5	107	R		
	VESPA LX 4T	50	2005 →	F	200	96	4	5	6.5	107	R		
	VESPA S 2T	50	2007 → 2011	F	200	96	4	5	6.5	107	R		
	VESPA S 4T	50	2008 → 2009	F	200	96	4	5	6.5	107	R		
	ZIP SP	50	1996 →	F	200	96	4	5	6.5	107	R		
	SKIPPER	80	1994 → 1995	F	200	96	4	5	6.5	107	R		
	FLY	125	2005 → 2008	F	200	96	4	5	6.5	107	R		
	HEXAGON LX	125	1998 → 2001	F	200	96	4	5	6.5	107	R		
	SFERA 4T	125	1995 → 1997	F	200	96	4	5	6.5	107	R		
	SUPER HEXAGON GTX	125	→ 2000	F/R	200	96	4	5	6.5	107	R		
	VESPA ET4	125	1996 → 2002	F	200	96	4	5	6.5	107	R		
	VESPA LX	125	2005 → 2006	F	200	96	4	5	6.5	107	R		
	VESPA LX EURO 3	125	2006 → 2007	F	200	96	4	5	6.5	107	R		
	VESPA PX	125	1998 →	F	200	96	4	5	6.5	107	R		
	VESPA S 4T IE & COLLEGE	125	2009 → 2010	F	200	96	4	5	6.5	107	R		
	FLY	150	2005 → 2007	F	200	96	4	5	6.5	107	R		
	FLY EURO 3	150	2008 → 2010	F	200	96	4	5	6.5	107	R		
	HEXAGON LX	150	1998 →	F	200	96	4	5	6.5	107	R		
	VESPA ET4	150	1996 → 2002	F	200	96	4	5	6.5	107	R		
	VESPA LX	150	2005 → 2006	F	200	96	4	5	6.5	107	R		
	VESPA LX EURO 3	150	2006 → 2007	F	200	96	4	5	6.5	107	R		
	VESPA PX	150	1998 →	F	200	96	4	5	6.5	107	R		
	VESPA S 4T IE & COLLEGE	150	2009 → 2010	F	200	96	4	5	6.5	107	R		
	HEXAGON LX	180	1998 →	F	200	96	4	5	6.5	107	R		
	SUPER EXAGON GTX	180	→ 2000	F/R	200	96	4	5	6.5	107	R		
	VESPA PE	200	1998 →	F	200	96	4	5	6.5	107	R		
VESPA PX	200	1998 →	F	200	96	4	5	6.5	107	R			
HEXAGON	250	1998 →	F	200	96	4	5	6.5	107	R			
SUPER HEXAGON GT-GTX	250	2000 →	F/R	200	96	4	5	6.5	107	R			
FMD0023	DUCATI	JUNIOR SS	350	1991 → 1993	R	245	115	4	6	8.5	133	R	
		MONSTER	400	1994 → 1999	R	245	115	4	6	8.5	133	R	
		MONSTER	400	2001 → 2006	R	245	115	4	6	8.5	133	R	
		SS SUPERSPORT	400	1992 → 1997	R	245	115	4	6	8.5	133	R	
		SS SUPERSPORT JUNIOR	400	1992 → 1997	R	245	115	4	6	8.5	133	R	
		M MONSTER	600	1994 → 2002	R	245	115	4	6	8.5	133	R	
		MONSTER	600	1994 → 2002	R	245	115	4	6	8.5	133	R	
		SS SUPERSPORT	600	1994 → 2000	R	245	115	4	6	8.5	133	R	

Front
Rear

					Front	Outside Dia (mm)	Inside Dia (mm)	Thickness (mm)	No. of Fixing hole	Fixing hole dia. (mm)	Fix. hole central line diam (mm)	DISC TYPE
...FMD0023	MONSTER	620	2002 → 2005	R	245	115	4	6	8.5	133	R	
	MONSTER double disk	620	2005 → 2006	R	245	115	4	6	8.5	133	R	
	MONSTER single disk	620	2005 → 2006	R	245	115	4	6	8.5	133	R	
	MULTISTRADA double disk	620	2005 → 2006	R	245	115	4	6	8.5	133	R	
	MULTISTRADA single disk	620	2005 → 2006	R	245	115	4	6	8.5	133	R	
	SPORT	620	2003 → 2004	R	245	115	4	6	8.5	133	R	
	SS SUPERSPORT	620	2002 → 2005	R	245	115	4	6	8.5	133	R	
	MONSTER	695	2006 → 2008	R	245	115	4	6	8.5	133	R	
	MONSTER	696	2008 → 2014	R	245	115	4	6	8.5	133	R	
	MONSTER ABS	696	2010 → 2014	R	245	115	4	6	8.5	133	R	
	M MONSTER	750	1996 → 2001	R	245	115	4	6	8.5	133	R	
	MONSTER	750	1994 → 2001	R	245	115	4	6	8.5	133	R	
	SPORT	750	2000 → 2002	R	245	115	4	6	8.5	133	R	
	SS SUPERSPORT	750	1991 → 2002	R	245	115	4	6	8.5	133	R	
	MONSTER	800	2003 → 2004	R	245	115	4	6	8.5	133	R	
	SPORT	800	2003 → 2004	R	245	115	4	6	8.5	133	R	
	SS SUPERSPORT	800	2003 → 2005	R	245	115	4	6	8.5	133	R	
	MONSTER	821	2015 →	R	245	115	4	6	8.5	133	R	
	851 STRADA - SP	851	1988 → 1991	R	245	115	4	6	8.5	133	R	
	888 DESMOQUATTRO	888	1993 → 1994	R	245	115	4	6	8.5	133	R	
	888 SP	888	1990 → 1993	R	245	115	4	6	8.5	133	R	
	M MONSTER	900	1993 → 2001	R	245	115	4	6	8.5	133	R	
	MONSTER	900	1993 → 2004	R	245	115	4	6	8.5	133	R	
	SL 900 SUPERLIGHT	900	1991 → 1997	R	245	115	4	6	8.5	133	R	
	SPORT	900	2002 →	R	245	115	4	6	8.5	133	R	
	SS SUPERSPORT	900	1991 → 2002	R	245	115	4	6	8.5	133	R	
	PASO 906	904	1989 → 1990	R	245	115	4	6	8.5	133	R	
	PASO 907 I.E.	904	1990 → 1991	R	245	115	4	6	8.5	133	R	
	MONSTER S4	916	2001 → 2003	R	245	115	4	6	8.5	133	R	
	ST4	916	1998 → 2004	R	245	115	4	6	8.5	133	R	
	ST2	944	1997 → 2003	R	245	115	4	6	8.5	133	R	
	ST3	992	2004 → 2006	R	245	115	4	6	8.5	133	R	
	ST4 S	996	2001 → 2005	R	245	115	4	6	8.5	133	R	
	ST4 S ABS	996	2003 → 2003	R	245	115	4	6	8.5	133	R	
	ST4 S ABS	996	2004 → 2006	R	245	115	4	6	8.5	133	R	
	GT	1000	2006 → 2010	R	245	115	4	6	8.5	133	R	
	GT TOURING	1000	2009 →	R	245	115	4	6	8.5	133	R	
	MONSTER	1000	2003 → 2005	R	245	115	4	6	8.5	133	R	
	MONSTER S	1000	2003 → 2005	R	245	115	4	6	8.5	133	R	
	PAUL SMART LE	1000	2006 → 2007	R	245	115	4	6	8.5	133	R	
	SPORT	1000	2006 → 2008	R	245	115	4	6	8.5	133	R	
	SPORT S	1000	2007 → 2009	R	245	115	4	6	8.5	133	R	
	SS SUPERSPORT	1000	2003 → 2006	R	245	115	4	6	8.5	133	R	
	ST3	1000	2004 → 2006	R	245	115	4	6	8.5	133	R	
	ST3 S ABS	1000	2006 → 2007	R	245	115	4	6	8.5	133	R	
LAVERDA	GHOST	650	1996 → 1999	R	245	115	4	6	8.5	133	R	
	SPORT	650	1995 → 2001	R	245	115	4	6	8.5	133	R	
	S FORMULA	750	1998 → 2001	R	245	115	4	6	8.5	133	R	
	STRIKE	750	1998 → 2001	R	245	115	4	6	8.5	133	R	
YAMAHA	SRX	400	1991 →	R	245	115	4	6	8.5	133	R	
	XJR	400	1995 → 2000	R	245	115	4	6	8.5	133	R	
	FZR	600	1989 →	R	245	115	4	6	8.5	133	R	
	FZR R	600	1990 → 1995	R	245	115	4	6	8.5	133	R	
	FZS FAZER	600	1998 → 2003	R	245	115	4	6	8.5	133	R	
	XJ DIVERSION S-N	600	1991 → 1997	R	245	115	4	6	8.5	133	R	
	XJ DIVERSION S-N	600	1998 →	R	245	115	4	6	8.5	133	R	
	XJ N	600	1991 → 1997	R	245	115	4	6	8.5	133	R	
	XJ N	600	1998 → 2003	R	245	115	4	6	8.5	133	R	
	XJ S DIVERSION	600	1991 → 1997	R	245	115	4	6	8.5	133	R	
	XJ S DIVERSION	600	1998 → 2003	R	245	115	4	6	8.5	133	R	
	YZF R THUNDERCAT	600	1996 → 2004	R	245	115	4	6	8.5	133	R	
	YZF R	750	1993 → 1997	R	245	115	4	6	8.5	133	R	
	YZF R7	750	1999 → 2001	R	245	115	4	6	8.5	133	R	
	YZF SP	750	1993 → 1997	R	245	115	4	6	8.5	133	R	
	TDM	850	1991 → 2001	R	245	115	4	6	8.5	133	R	
	TRX	850	1995 → 2000	R	245	115	4	6	8.5	133	R	
	TDM	900	2002 → 2014	R	245	115	4	6	8.5	133	R	
	YZF R THUNDERACE	1000	1996 → 1998	R	245	115	4	6	8.5	133	R	
	YZF R1	1000	1998 → 2001	R	245	115	4	6	8.5	133	R	
FMD0025	PEUGEOT	50	1998 →	F/R	180	62.5	3.5	3	10.5	80	R	
	SPEEDFIGHT (raff. acqua pinze AJP)	50	1997 → 1998	F	180	62.5	3.5	3	10.5	80	R	
	SPEEDFIGHT M (Pinza AJP)	100	1997 → 2000	F/R	180	62.5	3.5	3	10.5	80	R	
FMD0026	SUZUKI	250	1998 → 2002	F	260	121.2	4	6	10.3	142	R	
	BURGMAN	400	1999 → 2002	F	260	121.2	4	6	10.3	142	R	
FMD0027	SUZUKI	125	1989 →	F	242	121	4	4	10.5	142	R	
	TS R	200	1989 →	F	242	121	4	4	10.5	142	R	
	DR DJEBEL	600	1989 →	F	242	121	4	4	10.5	142	R	
	DR R	600	1986 → 1989	F	242	121	4	4	10.5	142	R	



CC

Front
Rear

Outside Dia (mm)

Inside Dia (mm)

Thickness (mm)

No. of Fixing hole

Fixing hole dia. (mm)

Fix. hole centreline diam (mm)

DISC TYPE

Code	Brand	Model	CC	Year	Front/Rear	Outside Dia (mm)	Inside Dia (mm)	Thickness (mm)	No. of Fixing hole	Fixing hole dia. (mm)	Fix. hole centreline diam (mm)	DISC TYPE
...FMD0027		DR R DAKAR-DJEBEL	600	1987 → 1988	F	242	121	4	4	10.5	142	R
		DR S	600	1986 → 1988	F	242	121	4	4	10.5	142	R
FMD0028	SUZUKI	RM	125	1988 → 2000	F	250	118	3	6	6.5	134	RF/R
		RM	125	2001 → 2012	F	250	118	3	6	6.5	134	RF/R
		RM	250	1989 → 2000	F	250	118	3	6	6.5	134	RF/R
		RM	250	2000 → 2012	F	250	118	3	6	6.5	134	RF/R
		RMX	250	1989 → 1999	F	250	118	3	6	6.5	134	RF/R
		RMX S	250	1992 → 1998	F	250	118	3	6	6.5	134	RF/R
		DR Z E	400	2000 → 2008	F	250	118	3	6	6.5	134	RF/R
		DR Z S	400	2000 → 2009	F	250	118	3	6	6.5	134	RF/R
	YAMAHA	WR	125	2001 → 2002	F	250	118	3	6	6.5	134	RF/R
		WR	125	2002 → 2005	F	250	118	3	6	6.5	134	RF/R
		YZ	125	1998 → 2001	F	250	118	3	6	6.5	134	RF/R
		YZ	125	2002 → 2007	F	250	118	3	6	6.5	134	RF/R
		YZ	125	2008 →	F	250	118	3	6	6.5	134	RF/R
		WR	250	2001 → 2008	F	250	118	3	6	6.5	134	RF/R
		WR F	250	2001 → 2002	F	250	118	3	6	6.5	134	RF/R
		WR F	250	2002 → 2013	F	250	118	3	6	6.5	134	RF/R
		WR F EFI	250	2015 →	F	250	118	3	6	6.5	134	RF/R
		YZ	250	2001 → 2002	F	250	118	3	6	6.5	134	RF/R
		YZ	250	2002 → 2015	F	250	118	3	6	6.5	134	RF/R
		YZ F	250	2001 → 2001	F	250	118	3	6	6.5	134	RF/R
		YZ F	250	2002 → 2013	F	250	118	3	6	6.5	134	RF/R
		YZ-F WR	250	1998 →	F	250	118	3	6	6.5	134	RF/R
		YZ-F	250	2001 → 2013	F	250	118	3	6	6.5	134	RF/R
		YZ-F EFI	250	2014 → 2015	F	250	118	3	6	6.5	134	RF/R
		WR F	400	2001 → 2002	F	250	118	3	6	6.5	134	RF/R
		WR F	426	2001 → 2002	F	250	118	3	6	6.5	134	RF/R
		YZ-F	426	2001 → 2002	F	250	118	3	6	6.5	134	RF/R
		WR F	450	2003 → 2015	F	250	118	3	6	6.5	134	RF/R
		YZ F	450	2003 → 2004	F	250	118	3	6	6.5	134	RF/R
		YZ F	450	2004 → 2014	F	250	118	3	6	6.5	134	RF/R
		YZ-F	450	2003 → 2015	F	250	118	3	6	6.5	134	RF/R
FMD0029	TM	all models	125	→ 1985	F	230	85	3	6	6.5	102	R
		GS-MC	125	1990 → 1992	F	230	85	3	6	6.5	102	R
	YAMAHA	DT R	125	1988 → 2003	F	230	85	3	6	6.5	102	R
		DT-Z TENERE	125	1989 → 1990	F	230	85	3	6	6.5	102	R
		WR	125	1989 → 1990	F	230	85	3	6	6.5	102	R
		YZ	125	1985 → 1989	F	230	85	3	6	6.5	102	R
		DT R	200	1988 → 1991	F	230	85	3	6	6.5	102	R
		YZ	250	1985 → 1990	F	230	85	3	6	6.5	102	R
		TT	350	1985 → 1995	F	230	85	3	6	6.5	102	R
		WR Z	500	1992 → 1993	F	230	85	3	6	6.5	102	R
		TT	600	1989 → 1992	F	230	85	3	6	6.5	102	R
		TT N	600	1985 → 1988	F	230	85	3	6	6.5	102	R
FMD0030	YAMAHA	TZR R	50	1993 → 2002	F	245	115	4	6	6.5	133	R
		YFM BEAR TRACKER	250	2001 → 2004	F	245	115	4	6	6.5	133	R
FMD0031	YAMAHA	XTZ SUPER TENERE	750	1989 → 2000	F	245	115	4	6	6.5	133	R
		XT	600	1987 → 1990	F	267	132	4	6	6.5	150	R
		XT 4 VALVES	600	1986 → 1987	F	267	132	4	6	6.5	150	R
		XT 4 VALVES	600	1988 → 1989	F	267	132	4	6	6.5	150	R
		XT E	600	1990 → 1994	F	267	132	4	6	6.5	150	R
		XT Z TENERE	600	1986 → 1987	F	267	132	4	6	6.5	150	R
		XT Z TENERE	600	1987 → 1991	F	267	132	4	6	6.5	150	R
FMD0033	HONDA	XRV AFRICA TWIN	750	1990 → 2002	F	276	144	4	4	10.5	166	R
FMD0034	KYMCO	XRV R AFRICA TWIN	750	1990 → 1993	F	276	144	4	4	10.5	166	R
		AGILITY	50	2005 → 2008	F	180	58.2	4	3	10.6	80	R
		AGILITY R12 (Rear Drum Model)	50	2007 → 2008	F	180	58.2	4	3	10.6	80	R
		DINK	50	1998 → 2001	F	180	58.2	4	3	10.6	80	R
		DINK LC	50	1998 → 2002	F	180	58.2	4	3	10.6	80	R
		MXER	50	2003 →	F	180	58.2	4	3	10.6	80	R
		SUPER 9	50	2000 → 2001	R	180	58.2	4	3	10.6	80	R
		SUPER 9 SPORT EURO 2	50	2003 → 2004	R	180	58.2	4	3	10.6	80	R
		TOP BOY ON / OFF ROAD	50	1996 →	F	180	58.2	4	3	10.6	80	R
		VITALITY	50	2004 →	F	180	58.2	4	3	10.6	80	R
		AGILITY 4T	125	2005 → 2008	F	180	58.2	4	3	10.6	80	R
		AGILITY R12 (Rear Drum Model)	125	2005 → 2010	F	180	58.2	4	3	10.6	80	R
		DINK	125	1996 → 1999	F/R	180	58.2	4	3	10.6	80	R
		DINK CLASSIC	150	2002 →	R	180	58.2	4	3	10.6	80	R
		DINK LX	150	1998 → 2000	F/R	180	58.2	4	3	10.6	80	R
FMD0037	PEUGEOT	X RACE	50	2002 → 2005	R	180	58.2	4	3	10.6	80	R
	YAMAHA	WR	125	1991 → 1997	F	245	86.1	3	6	7	102	R
		YZ	125	1990 → 1997	F	245	86.1	3	6	7	102	R
		WR Z	250	1991 → 1997	F	245	86.1	3	6	7	102	R
		YZ	250	1990 → 1997	F	245	86.1	3	6	7	102	R
		XT	350	1985 → 1990	F	245	86.1	3	6	7	102	R
		YZ	360	1989 →	F	245	86.1	3	6	7	102	R
		YZ RALLY	360	1990 → 1993	F	245	86.1	3	6	7	102	R

12010



CC

Front
Rear

Outside Dia (mm)

Inside Dia (mm)

Thickness (mm)

No. of Fixing hole

Fixing hole dia. (mm)

Fix. hole centralising diam (mm)

DISC TYPE

FMD0038	APRILIA	PEGASO	650	1991 → 2000	F	298	105	5	6	6.5	120	RF
		PEGASO I.E.	650	2001 → 2004	F	298	105	5	6	6.5	120	RF
		PEGASO TRAIL	650	2005 → 2008	F	298	105	5	6	6.5	120	RF
FMD0039	MALAGUTI	CENTRO 50 SL	50	1993 →	F	200	98	4	5	6.4	110	R
		CENTRO SL	50	1994 → 1998	F	200	98	4	5	6.4	110	R
	PIAGGIO	QUARTZ	50	1992 →	F	200	98	4	5	6.4	110	R
		SKIPPER	125	1993 → 1999	F	200	98	4	5	6.4	110	R
		SKIPPER	150	1993 → 1999	F	200	98	4	5	6.4	110	R
FMD0040	PIAGGIO	HEXAGON	125	1994 → 1997	F	175	73.3	4	5	6.5	86.5	R
		HEXAGON	150	1994 → 1999	F	175	73.3	4	5	6.5	86.5	R
FMD0042	MALAGUTI	F10	50	1992 → 1998	F	155	30	4	5	6.4	60	R
		F10 AC	50	2008 →	F	155	30	4	5	6.4	60	R
		F10 RESTYLING	50	2001 → 2006	F	155	30	4	5	6.4	60	R
		YESTERDAY	50	1998 →	F	155	30	4	5	6.4	60	R
	MOTRON	COMPACT RACING ES	50	1988 → 1992	F	155	30	4	5	6.4	60	R
	PEUGEOT	ZENITH	50	1994 → 1995	F	155	30	4	5	6.4	60	R
		ZENITH	50	1996 →	F	155	30	4	5	6.4	60	R
FMD0043	GILERA	RUNNER PURE JET ST	50	2008 →	F	220	105	4	6	6.4	120	R
		RUNNER SP ST	50	2008 →	F	220	105	4	6	6.4	120	R
	PIAGGIO	LIBERTY 2T	50	1997 →	F	220	105	4	6	6.4	120	R
		LIBERTY 4T	50	2000 → 2001	F	220	105	4	6	6.4	120	R
		FREE	100	2001 →	F	220	105	4	6	6.4	120	R
		LIBERTY	125	1998 → 2000	F	220	105	4	6	6.4	120	R
		LIBERTY	125	2001 →	F	220	105	4	6	6.4	120	R
		LIBERTY 4T	125	2006 → 2007	F	220	105	4	6	6.4	120	R
		LIBERTY 4T EURO3	125	2007 → 2008	F	220	105	4	6	6.4	120	R
		LIBERTY 4TS PORT EURO3	125	2006 → 2008	F	220	105	4	6	6.4	120	R
		LIBERTY RST	125	2004 → 2005	F	220	105	4	6	6.4	120	R
		LIBERTY RST PTT	125	2005 → 2011	F	220	105	4	6	6.4	120	R
		LIBERTY SPORT	125	2006 →	F	220	105	4	6	6.4	120	R
		SUPER HEXAGON GTX	125	2001 → 2002	R	220	105	4	6	6.4	120	R
		VESPA GRANTURISMO L (pinza Grimeca)	125	2003 →	F/R	220	105	4	6	6.4	120	R
		VESPA GRANTURISMO L (pinza HengTong)	125	2003 →	F/R	220	105	4	6	6.4	120	R
		LIBERTY 4T	150	2008 →	F	220	105	4	6	6.4	120	R
		LIBERTY 4T SPORT	150	2008 →	F	220	105	4	6	6.4	120	R
		LIBERTY LE	150	2000 → 2002	F	220	105	4	6	6.4	120	R
		SUPER EXAGON GTX	180	2001 → 2004	R	220	105	4	6	6.4	120	R
		LIBERTY	200	2006 →	F	220	105	4	6	6.4	120	R
		LIBERTY 4T EURO3	200	2007 → 2008	F	220	105	4	6	6.4	120	R
		LIBERTY 4T SPORT EURO 3	200	2006 → 2007	F	220	105	4	6	6.4	120	R
		LIBERTY RST	200	2004 → 2005	F	220	105	4	6	6.4	120	R
		LIBERTY SPORT	200	2006 →	F	220	105	4	6	6.4	120	R
		VESPA GRANTURISMO (pinza Grimeca)	200	2006 →	F/R	220	105	4	6	6.4	120	R
		VESPA GRANTURISMO (pinza Heng Tong)	200	2006 →	F/R	220	105	4	6	6.4	120	R
		VESPA GRANTURISMO L (pinza Grimeca)	200	2003 → 2005	F/R	220	105	4	6	6.4	120	R
		VESPA GRANTURISMO L (pinza Heng Tong)	200	2003 → 2005	F/R	220	105	4	6	6.4	120	R
		VESPA GTS (pinza Grimeca)	250	2005 →	F/R	220	105	4	6	6.4	120	R
		VESPA GTS (pinza HengTong)	250	2005 →	F/R	220	105	4	6	6.4	120	R
		VESPA GTV	250	2006 →	F/R	220	105	4	6	6.4	120	R
FMD0045	MBK	CW BOOSTER SPIRIT	50	1999 →	F	180	48	3.5	4	10.4	66	R
		CW L BOOSTER	50	2001 →	F	180	48	3.5	4	10.4	66	R
		CW RS BOOSTER NG	50	1995 → 1998	F	180	48	3.5	4	10.4	66	R
		CW RSP BOOSTER ROCKET	50	1997 → 1998	F	180	48	3.5	4	10.4	66	R
		CW RSX TRACK	50	1996 → 1998	F	180	48	3.5	4	10.4	66	R
FMD0046	MALAGUTI	MADISON S	250	1999 → 2001	F	240	90	4	6	6.5	101	R
		MADISON K	400	2002 →	R	240	90	4	6	6.5	101	R
		MADISON K RESTYLING	400	2002 → 2004	R	240	90	4	6	6.5	101	R
FMD0047	MALAGUTI	CIAK	50	1999 → 2000	F	230	105	4	6	6.2	120	R
		CIAK MASTER	50	2004 → 2005	F	230	105	4	6	6.2	120	R
		CIAK MASTER 4T	50	2005 → 2006	F	230	105	4	6	6.2	120	R
		CIAK MASTER EURO 2	50	2006 →	F	230	105	4	6	6.2	120	R
		CIAK MONO EURO 2,3	50	2003 →	F	230	105	4	6	6.2	120	R
		CIAK TD	50	2000 → 2001	F	230	105	4	6	6.2	120	R
		CIAK TWIN DISK	50	2002 →	F	230	105	4	6	6.2	120	R
		CIAK	100	1999 → 2001	F	230	105	4	6	6.2	120	R
		CIAK	125	2000 → 2001	F	230	105	4	6	6.2	120	R
		CIAK MASTER	125	2004 →	F	230	105	4	6	6.2	120	R
		CIAK MASTER EURO 3	125	2006 →	F	230	105	4	6	6.2	120	R
		CIAK RESTYLING	125	2003 →	F	230	105	4	6	6.2	120	R
		CIAK	150	2000 → 2002	F	230	105	4	6	6.2	120	R
		CIAK MASTER	150	2003 →	F	230	105	4	6	6.2	120	R
		CIAK RESTYLING EURO 2	150	2004 →	F	230	105	4	6	6.2	120	R
		CIAK MASTER EURO 2	200	2006 →	F	230	105	4	6	6.2	120	R
FMD0048	MALAGUTI	F12 PHANTOM LC	50	1999 → 2000	F	200	58	4	3	9	80	R
		F15 FIREFOX	50	1996 → 1997	F	200	58	4	3	9	80	R
		F15 FIREFOX L.C.	50	1999 → 2005	F	200	58	4	3	9	80	R
		PHANTOM MAX	100	1999 →	F	200	58	4	3	9	80	R
		F 18 WARRIOR	125	2000 → 2002	R	200	58	4	3	9	80	R



CC

Front
Rear

Outside Dia (mm)

Inside Dia (mm)

Thickness (mm)

No. of Fixing hole

Fixing hole dia. (mm)

Fix. hole centreline diam (mm)

DISC TYPE

Code	Brand	Model	CC	Year	Front/Rear	Outside Dia (mm)	Inside Dia (mm)	Thickness (mm)	No. of Fixing hole	Fixing hole dia. (mm)	Fix. hole centreline diam (mm)	DISC TYPE		
...FMD0048	PEUGEOT	F 18 WARRIOR	150	2000 → 2002	R	200	58	4	3	9	80	R		
		DJANGO HERITAGE	50	2014 →	F	200	58	4	3	9	80	R		
		VIVACITY 4T	50	2008 →	F	200	58	4	3	9	80	R		
		VIVACITY SIXTIES	50	2011 →	F	200	58	4	3	9	80	R		
FMD0049	KYMCO	PEOPLE	50	1999 → 2000	F	226	58	3.5	3	10.5	80	R		
		PEOPLE EURO 2	50	2003 → 2004	F	226	58	3.5	3	10.5	80	R		
		PEOPLE 150	150	2000 →	F	226	58	3.5	3	10.5	80	R		
FMD0050	APRILIA	SCARABEO	125	2004 → 2006	F	260	60	4	5	8.5	80	R		
		SCARABEO (motore Piaggio)	125	2003 → 2004	F	260	60	4	5	8.5	80	R		
		SCARABEO (motore Rotax)	125	1999 → 2003	F	260	60	4	5	8.5	80	R		
		SCARABEO EU3	125	2006 → 2007	F	260	60	4	5	8.5	80	R		
		SCARABEO GT	125	1999 → 2003	F	260	60	4	5	8.5	80	R		
		SCARABEO IE LIGHT	125	2008 → 2010	F	260	60	4	5	8.5	80	R		
		SCARABEO LIGHT	125	2007 → 2008	F	260	60	4	5	8.5	80	R		
		SPORT CITY	125	2004 → 2005	F	260	60	4	5	8.5	80	R		
		SPORT CITY CUBE	125	2008 → 2010	F	260	60	4	5	8.5	80	R		
		SPORT CITY EU3	125	2006 → 2008	F	260	60	4	5	8.5	80	R		
		SCARABEO	150	1998 → 2003	F	260	60	4	5	8.5	80	R		
		SCARABEO GT	150	2004 →	F	260	60	4	5	8.5	80	R		
		SCARABEO	200	2001 → 2003	F	260	60	4	5	8.5	80	R		
		SCARABEO	200	2007 →	F	260	60	4	5	8.5	80	R		
		SCARABEO (motore Piaggio)	200	2003 →	F	260	60	4	5	8.5	80	R		
		SCARABEO CLASS	200	2010 →	F	260	60	4	5	8.5	80	R		
		SCARABEO GT	200	2002 →	F	260	60	4	5	8.5	80	R		
		SCARABEO IE LIGHT	200	2012 →	F	260	60	4	5	8.5	80	R		
		SPORT CITY	200	2004 → 2005	F	260	60	4	5	8.5	80	R		
		SPORT CITY CUBE	200	2009 →	F	260	60	4	5	8.5	80	R		
		SPORT CITY EU3	200	2006 → 2008	F	260	60	4	5	8.5	80	R		
		SCARABEO	250	2004 → 2006	F	260	60	4	5	8.5	80	R		
		SCARABEO IE	250	2006 → 2009	F	260	60	4	5	8.5	80	R		
		SCARABEO LIGHT	250	2006 → 2008	F	260	60	4	5	8.5	80	R		
		SPORT CITY CUBE	250	2008 → 2010	F	260	60	4	5	8.5	80	R		
		SPORT CITY EU3	250	2006 →	F	260	60	4	5	8.5	80	R		
		SCARABEO LIGHT	300	2006 → 2010	F	260	60	4	5	8.5	80	R		
		SCARABEO SPECIAL IE	300	2009 →	F	260	60	4	5	8.5	80	R		
		SPORT CITY CUBE	300	2008 →	F	260	60	4	5	8.5	80	R		
		ATLANTIC SPRINT	400	2005 → 2008	F	260	60	4	5	8.5	80	R		
		SCARABEO LIGHT	400	2006 → 2008	F	260	60	4	5	8.5	80	R		
		SCARABEO URBAN	400	2006 → 2008	F	260	60	4	5	8.5	80	R		
		ARECIFE (spagna)	500	2002 → 2004	F	260	60	4	5	8.5	80	R		
		ATLANTIC	500	2002 → 2004	F	260	60	4	5	8.5	80	R		
		ATLANTIC SPRINT	500	2005 → 2008	F	260	60	4	5	8.5	80	R		
		SCARABEO	500	2002 → 2006	F	260	60	4	5	8.5	80	R		
		SCARABEO LIGHT	500	2006 → 2008	F	260	60	4	5	8.5	80	R		
		SCARABEO URBAN	500	2006 → 2011	F	260	60	4	5	8.5	80	R		
		DERBI	BOULEVARD S	125	2007 →	F	260	60	4	5	8.5	80	R	
				125	2009 → 2011	F	260	60	4	5	8.5	80	R	
				250	2009 →	F	260	60	4	5	8.5	80	R	
				300	2010 → 2011	F	260	60	4	5	8.5	80	R	
		FMD0051	APRILIA	RS REPLICIA	50	2000 → 2005	F	280	155	4	5	6.5	170	R
				TUONO	50	2003 → 2004	F	280	155	4	5	6.5	170	R
		FMD0052	DERBI	TUONO	50	2004 →	F	280	155	4	5	6.5	170	R
				SENDA R	50	1997 → 1998	F	240	110	3.5	6	6.5	125.5	R
				SENDA R XTREAM	50	2000 → 2001	F	240	110	3.5	6	6.5	125.5	R
FMD0053	MALAGUTI GILERA	SENDA SR	50	1999 → 2000	F	240	110	3.5	6	6.5	125.5	R		
		CRW MOTARD	50	2003 →	F	240	110	3.5	6	6.5	125.5	R		
		DNA	50	2000 → 2007	F	240	125.5	4	5	6.5	140	R		
		DNA GP EXPERIENCE	50	2003 → 2004	F	240	125.5	4	5	6.5	140	R		
		DNA	125	2001 →	F	240	125.5	4	5	6.5	140	R		
		RUNNER FX - FXR	125	1997 → 2002	R	240	125.5	4	5	6.5	140	R		
		RUNNER SP	125	1999 →	R	240	125.5	4	5	6.5	140	R		
		RUNNER FXR	180	1998 →	R	240	125.5	4	5	6.5	140	R		
		RUNNER SP	180	1999 →	R	240	125.5	4	5	6.5	140	R		
		X9 EVOLUTION	125	2001 → 2007	F/R	240	125.5	4	5	6.5	140	R		
		FMD0054	GILERA PIAGGIO	X9 AMALFI	180	2000 → 2003	F/R	240	125.5	4	5	6.5	140	R
X9 EVOLUTION	200			2002 → 2003	F/R	240	125.5	4	5	6.5	140	R		
X9	250			2000 → 2003	F/R	240	125.5	4	5	6.5	140	R		
X9 AMALFI	250			2000 →	F/R	240	125.5	4	5	6.5	140	R		
X9 EVOLUTION	250			2004 → 2006	F/R	240	125.5	4	5	6.5	140	R		
NEXUS	500			2003 → 2005	R	240	125	5	5	6.5	140	R		
MP3 125	125			2006 → 2008	R	240	125	5	5	6.5	140	R		
MP3 IBRIDO	125			2009 → 2010	R	240	125	5	5	6.5	140	R		
MP3 IE	125			2008 → 2009	R	240	125	5	5	6.5	140	R		
MP3 IE TOURING	125			2011 → 2012	R	240	125	5	5	6.5	140	R		
MP3 YOURBAN ERL	125	2011 → 2013	R	240	125	5	5	6.5	140	R				
SUPER HEXAGON GTX	125	2001 → 2002	F	240	125	5	5	6.5	140	R				
X8	125	2004 →	R	240	125	5	5	6.5	140	R				

12012



CC

Front
Rear

Outside Dia (mm)

Inside Dia (mm)

Thickness (mm)

No. of Fixing hole

Fixing hole dia. (mm)

Fix. hole centralise diam (mm)

DISC TYPE

...FMD0054

FMD0055

APRILIA
GILERA

PIAGGIO

X8 (pinza HengTong)	125	2005	→	2006	R	240	125	5	5	6.5	140	R
X8 PREMIUM EURO 2	125	2006	→		R	240	125	5	5	6.5	140	R
SUPER EXAGON GTX	180	2001	→	2004	F	240	125	5	5	6.5	140	R
X8	200	2004	→	2005	R	240	125	5	5	6.5	140	R
X8	200	2006	→		R	240	125	5	5	6.5	140	R
X8 (pinza HengTong)	200	2005	→		R	240	125	5	5	6.5	140	R
MP3	250	2006	→	2008	R	240	125	5	5	6.5	140	R
MP3 LT	250	2008	→	2009	R	240	125	5	5	6.5	140	R
MP3 MIC	250	2008	→	2009	R	240	125	5	5	6.5	140	R
MP3 4T 4V IE ERL IBRIDO	300	2010	→	2013	R	240	125	5	5	6.5	140	R
MP3 4T 4V IE LT IBRIDO	300	2010	→	2011	R	240	125	5	5	6.5	140	R
MP3 IE LT	300	2010	→	2011	R	240	125	5	5	6.5	140	R
MP3 IE LT - IE LT SPORT	300	2011	→	2013	R	240	125	5	5	6.5	140	R
MP3 IE LT TOURING	300	2011	→	2013	R	240	125	5	5	6.5	140	R
MP3 IE MIC	300	2010	→	2011	R	240	125	5	5	6.5	140	R
MP3 IE TOURING	300	2011	→	2012	R	240	125	5	5	6.5	140	R
MP3 LT BUSINESS ABS	300	2014	→		R	240	125	5	5	6.5	140	R
MP3 SPORT ABS	300	2014	→		R	240	125	5	5	6.5	140	R
MP3 YOURBAN ERL	300	2011	→	2015	R	240	125	5	5	6.5	140	R
MP3 YOURBAN LT ERL	300	2011	→	2012	R	240	125	5	5	6.5	140	R
BEVERLY EURO 3	400	2006	→	2008	R	240	125	5	5	6.5	140	R
MP3	400	2007	→	2008	R	240	125	5	5	6.5	140	R
MP3 IE LT - IE LT SPORT	400	2008	→	2010	R	240	125	5	5	6.5	140	R
MP3 IE LT TOURING	400	2011	→		R	240	125	5	5	6.5	140	R
MP3 LT	400	2009	→		R	240	125	5	5	6.5	140	R
MP3 MIC	400	2008	→	2010	R	240	125	5	5	6.5	140	R
MP3 RL TOURING	400	2011	→		R	240	125	5	5	6.5	140	R
BEVERLY	500	2002	→	2006	R	240	125	5	5	6.5	140	R
BEVERLY CRUISER	500	2007	→	2012	R	240	125	5	5	6.5	140	R
BEVERLY EURO 3	500	2006	→		R	240	125	5	5	6.5	140	R
MP3 LT SPORT - BUSINESS	500	2011	→	2013	R	240	125	5	5	6.5	140	R
MP3 RL SPORT - BUSINESS	500	2011	→	2012	R	240	125	5	5	6.5	140	R
X9	500	2001	→	2003	R	240	125	5	5	6.5	140	R
X9 EVOLUTION	500	2003	→	2004	R	240	125	5	5	6.5	140	R
X9 EVOLUTION ABS	500	2006	→	2007	R	240	125	5	5	6.5	140	R
SR MAX	300	2010	→		F	260	125	4	5	6.5	140	R
NEXUS EURO 3	125	2007	→		F	260	125	4	5	6.5	140	R
NEXUS IE EURO 3	125	2008	→	2011	F	260	125	4	5	6.5	140	R
NEXUS EURO 3	250	2006	→		F	260	125	4	5	6.5	140	R
NEXUS EURO 3	300	2008	→	2011	F	260	125	4	5	6.5	140	R
NEXUS EURO 3	500	2006	→	2011	F	260	125	4	5	6.5	140	R
NEXUS SP EURO 3	500	2006	→	2007	F	260	125	4	5	6.5	140	R
BEVERLY (pinza Grimeca)	125	2001	→		F/R	260	125	4	5	6.5	140	R
BEVERLY (pinza HengTong)	125	2001	→		F/R	260	125	4	5	6.5	140	R
BEVERLY EURO 3	125	2007	→	2008	F/R	260	125	4	5	6.5	140	R
BEVERLY EURO 3 MIC	125	2007	→		F/R	260	125	4	5	6.5	140	R
BEVERLY EURO 3 SPORT	125	2007	→	2008	F/R	260	125	4	5	6.5	140	R
BEVERLY EURO 3 TOURER	125	2008	→	2010	F/R	260	125	4	5	6.5	140	R
BEVERLY RST	125	2004	→	2007	F/R	260	125	4	5	6.5	140	R
BEVERLY RST 4T 4V IE EURO 3	125	2010	→	2011	F/R	260	125	4	5	6.5	140	R
CARNABY	125	2007	→	2010	F/R	260	125	4	5	6.5	140	R
X7	125	2007	→	2009	F	260	125	4	5	6.5	140	R
X7 EURO3	125	2008	→	2009	F	260	125	4	5	6.5	140	R
X7 EVO IE EURO3	125	2009	→	2010	F	260	125	4	5	6.5	140	R
X8	125	2004	→		F	260	125	4	5	6.5	140	R
X8 (pinza HengTong)	125	2005	→	2006	F	260	125	4	5	6.5	140	R
X8 PREMIUM EURO 2	125	2006	→		F	260	125	4	5	6.5	140	R
X8 STREET EURO 3	125	2006	→		F	260	125	4	5	6.5	140	R
X8 STREET EURO 3	150	2006	→		F	260	125	4	5	6.5	140	R
BEVERLY (pinza Grimeca)	200	2001	→	2006	F/R	260	125	4	5	6.5	140	R
BEVERLY (pinza HengTong)	200	2001	→	2006	F/R	260	125	4	5	6.5	140	R
CARNABY	200	2007	→	2010	F/R	260	125	4	5	6.5	140	R
X8	200	2004	→	2005	F	260	125	4	5	6.5	140	R
X8	200	2006	→		F	260	125	4	5	6.5	140	R
X8 EVO	200	2005	→	2007	F	260	125	4	5	6.5	140	R
BEVERLY	250	2006	→	2007	F/R	260	125	4	5	6.5	140	R
BEVERLY CRUISER	250	2007	→	2009	F/R	260	125	4	5	6.5	140	R
BEVERLY EURO 3 IE	250	2006	→	2008	F/R	260	125	4	5	6.5	140	R
BEVERLY EURO 3 MIC	250	2007	→		F/R	260	125	4	5	6.5	140	R
BEVERLY EURO 3 TOURER	250	2008	→	2009	F/R	260	125	4	5	6.5	140	R
BEVERLY LEADER	250	2004	→		F/R	260	125	4	5	6.5	140	R
BEVERLY RST	250	2004	→	2005	F/R	260	125	4	5	6.5	140	R
BEVERLY SPORT	250	2006	→	2008	F/R	260	125	4	5	6.5	140	R
CARNABY	250	2008	→		F/R	260	125	4	5	6.5	140	R
X EVO EVO	250	2007	→	2013	F	260	125	4	5	6.5	140	R
X7 EURO 3	250	2008	→		F	260	125	4	5	6.5	140	R
X8	250	2005	→		F	260	125	4	5	6.5	140	R
BEVERLY TOURER EURO 3	300	2009	→	2010	F/R	260	125	4	5	6.5	140	R



CC



Front
Rear

...						Front Rear	Outside Dia (mm)	Inside Dia (mm)	Thickness (mm)	No. of Fixing hole	Fixing hole dia. (mm)	Fix. hole centralline diam (mm)	DISC TYPE	
...FMD0055		CARNABY CRUISER	300	2009	→	F/R	260	125	4	5	6.5	140	R	
		X7 EVO IE	300	2011	→	F	260	125	4	5	6.5	140	R	
		X7 EVO IE EURO3	300	2009	→	2011	F	260	125	4	5	6.5	140	R
		BEVERLY TOURER EURO3	400	2008	→	2010	F	260	125	4	5	6.5	140	R
		X8	400	2006	→		F	260	125	4	5	6.5	140	R
		X8 EURO 3	400	2006	→	2008	F	260	125	4	5	6.5	140	R
		BEVERLY	500	2002	→	2006	F	260	125	4	5	6.5	140	R
		BEVERLY CRUISER	500	2007	→	2012	F	260	125	4	5	6.5	140	R
		BEVERLY EURO 3	500	2006	→		F	260	125	4	5	6.5	140	R
		X9	500	2001	→	2003	F	260	125	4	5	6.5	140	R
FMD0056	MALAGUTI	F 18 WARRIOR	125	2000	→	2002	F	220	60	4	3	8.5	80	R
		F 18 WARRIOR	150	2000	→	2002	F	220	60	4	3	8.5	80	R
FMD0057	HONDA	@ NES (tambuto post/rear drum)	125	2000	→		F	220	105	4	4	10.5	125	R
		DYLAN	125	2001	→		F	220	105	4	4	10.5	125	R
		PSi	125	2006	→		F	220	105	4	4	10.5	125	R
		SH (tambuto post/rear drum)	125	2000	→	2008	F	220	105	4	4	10.5	125	R
		@ NES (tambuto post/rear drum)	150	2000	→		F	220	105	4	4	10.5	125	R
		DYLAN SES	150	2001	→		F	220	105	4	4	10.5	125	R
		Psi	150	2006	→		F	220	105	4	4	10.5	125	R
		SH (tambuto post/rear drum)	150	2000	→	2008	F	220	105	4	4	10.5	125	R
		SH i	150	2005	→	2006	F	220	105	4	4	10.5	125	R
FMD0058	MALAGUTI	MADISON K	400	2002	→		F	270	90	4	6	6.5	101	R
		MADISON K RESTYLING	400	2002	→	2004	F	270	90	4	6	6.5	101	R
FMD0059	HONDA	XRV AFRICA TWIN	750	1990	→	2002	R	256	144	5	4	10.5	166	R
		XRV R AFRICA TWIN	750	1990	→	1993	R	256	144	5	4	10.5	166	R
		XLV VARADERO	1000	1999	→	2002	R	256	144	5	4	10.5	166	R
FMD0064	BETA	REV 3	125	2000	→	2008	F	185	72.2	3	4	10.5	92	R
		REV 3	200	2000	→	2008	F	185	72.2	3	4	10.5	92	R
		REV 3	250	2000	→	2008	F	185	72.2	3	4	10.5	92	R
		REV 3	270	2000	→	2008	F	185	72.2	3	4	10.5	92	R
FMD0073	HONDA	CX	500	1982	→	1985	F	276	144.1	5	5	10.5	166	R
FMD0074	KAWASAKI	GPZ	550	1981	→	1987	F	260	130	5	5	10.5	150	R
FMD0075	BMW	R 850 C	850	1998	→	2001	R	276	174	5	5	10.5	198	R
		R 850 GS	850	1998	→	2007	R	276	174	5	5	10.5	198	R
		R 850 R	850	1994	→	2003	R	276	174	5	5	10.5	198	R
		R 850 R	850	2004	→	2007	R	276	174	5	5	10.5	198	R
		R 850 RT	850	1995	→	2001	R	276	174	5	5	10.5	198	R
		R 850 RT Integral ABS	850	2001	→	2004	R	276	174	5	5	10.5	198	R
		R 1100 GS	1100	1994	→	2001	R	276	174	5	5	10.5	198	R
		R 1100 R	1100	1995	→	2001	R	276	174	5	5	10.5	198	R
		R 1100 RT	1100	1994	→	2001	R	276	174	5	5	10.5	198	R
		R 1100 RT ABS	1100	1994	→	2001	R	276	174	5	5	10.5	198	R
		R 1100 S	1100	1998	→	2000	R	276	174	5	5	10.5	198	R
		R 1100 S	1100	2001	→	2006	R	276	174	5	5	10.5	198	R
		R 1100 S Boxer Cup Replika	1100	2003	→	2006	R	276	174	5	5	10.5	198	R
		R 1150 GS	1150	1999	→	2001	R	276	174	5	5	10.5	198	R
		R 1150 GS (Brembo caliper)	1150	2002	→	2004	R	276	174	5	5	10.5	198	R
		R 1150 GS ADVENTURE	1150	2002	→	2005	R	276	174	5	5	10.5	198	R
		R 1150 R	1150	2001	→	2006	R	276	174	5	5	10.5	198	R
		R 1150 R ROCKSTER	1150	2003	→	2006	R	276	174	5	5	10.5	198	R
		R 1150 RS	1150	2001	→	2005	R	276	174	5	5	10.5	198	R
		R 1150 RT	1150	2001	→	2005	R	276	174	5	5	10.5	198	R
		R 1150 RT ABS	1150	2001	→	2005	R	276	174	5	5	10.5	198	R
FMD0076	KAWASAKI	GPX	750	1987	→	1989	F	270	160	5	6	10.5	180	R
FMD0077	MOTO GUZZI	QUOTA	1000	1992	→	1997	F	280	93	5	5	8.5	111.7	R
FMD0078	GILERA	RC TOP RALLY	125	1989	→		F	250	124.1	4	6	6.5	138	R
FMD0079	SUZUKI	BURGMAN AN	650	2002	→	2003	R	250	117.1	5.4	4	10.5	138	R
FMD0080	BMW	R 45	450	1978	→	1986	F	260	145	5	10	13.8	158	R
		R 65	650	1978	→	1980	F	260	145	5	10	13.8	158	R
		R 65 LS	650	1982	→	1988	F	260	145	5	10	13.8	158	R
		R 65/1	650	1986	→		F	260	145	5	10	13.8	158	R
		PARIS DAKAR	800	1981	→	1987	F	260	145	5	10	13.8	158	R
		R 80 GS	800	1988	→	1990	F	260	145	5	10	13.8	158	R
		R 100	1000	1981	→	1989	F/R	260	145	5	10	13.8	158	R
		R 100 CS	1000	1981	→	1989	F	260	145	5	10	13.8	158	R
		R 100 RS	1000	1976	→	1980	F/R	260	145	5	10	13.8	158	R
FMD0081	BMW	K 75	750	1984	→	1996	F	285	165	5	10	13.8	178	R
		K 75 C	750	1985	→	1991	F	285	165	5	10	13.8	178	R
		K 75 RT	750	1990	→	1996	F/R	285	165	5	10	13.8	178	R
		K 75 S	750	1985	→	1988	F/R	285	165	5	10	13.8	178	R
		K 75 S	750	1989	→	1992	F	285	165	5	10	13.8	178	R
		K 75 S	750	1993	→	1996	F/R	285	165	5	10	13.8	178	R
		R 80	800	1981	→	1993	F	285	165	5	10	13.8	178	R
		R 80 GS Paris Dakar	800	1988	→	1994	F	285	165	5	10	13.8	178	R
		R 80 R ROADSTER	800	1992	→	1993	F	285	165	5	10	13.8	178	R
		R 80 RT	800	1985	→	1994	F	285	165	5	10	13.8	178	R
		K 100	1000	1983	→	1989	F/R	285	165	5	10	13.8	178	R
		K 100 LT ABS	1000	1990	→	1991	F/R	285	165	5	10	13.8	178	R



Front
Rear

Outside Dia (mm)

Inside Dia (mm)

Thickness (mm)

No. of Fixing hole

Fixing hole dia. (mm)

Fix. hole centreline diam (mm)

DISC TYPE

...FMD0081

FMD0083 BMW

FMD0085 HARLEY D.

Model	Year	Year	Front/Rear	Outside Dia (mm)	Inside Dia (mm)	Thickness (mm)	No. of Fixing hole	Fixing hole dia. (mm)	Fix. hole centreline diam (mm)	DISC TYPE
K 100 LT LIMITED	1000	1991 → 1992	F/R	285	165	5	10	13.8	178	R
K 100 RS	1000	1984 → 1989	F/R	285	165	5	10	13.8	178	R
K 100 RS 16V	1000	1989 → 1993	R	285	165	5	10	13.8	178	R
K 100 RT	1000	1984 → 1989	F/R	285	165	5	10	13.8	178	R
K1	1000	1989 → 1993	R	285	165	5	10	13.8	178	R
R 100 GS	1000	1987 → 1994	F	285	165	5	10	13.8	178	R
R 100 GS MYSTIC	1000	1991 →	F	285	165	5	10	13.8	178	R
R 100 R	1000	1992 → 1996	F/R	285	165	5	10	13.8	178	R
R 100 R ROADSTER	1000	1992 → 1995	F	285	165	5	10	13.8	178	R
R 100 RT	1000	1991 → 1994	F	285	165	5	10	13.8	178	R
K 1100 LT	1100	1992 → 2000	R	285	165	5	10	13.8	178	R
K 1100 RS	1100	1993 → 1996	R	285	165	5	10	13.8	178	R
R 1100 RS	1100	1994 → 2001	R	285	165	5	10	13.8	178	R
F 800 GT	800	2013 → 2015	F	320	181	4.8/5	5	16.5x13.8	203.4	R
F 800 R	800	2009 → 2015	F	320	181	4.8/5	5	16.5x13.8	203.4	R
F 800 S	800	2006 → 2010	F	320	181	4.8/5	5	16.5x13.8	203.4	R
F 800 ST	800	2006 → 2012	F	320	181	4.8/5	5	16.5x13.8	203.4	R
R 850 R	850	2004 → 2007	F	320	181	4.8/5	5	16.5x13.8	203.4	R
R 850 RT Integral ABS	850	2001 → 2004	F	320	181	4.8/5	5	16.5x13.8	203.4	R
R 1100 S	1100	2001 → 2006	F	320	181	4.8/5	5	16.5x13.8	203.4	R
R 1100 S Boxer Cup Replika	1100	2003 → 2006	F	320	181	4.8/5	5	16.5x13.8	203.4	R
R 1150 R	1150	2001 → 2006	F	320	181	4.8/5	5	16.5x13.8	203.4	R
R 1150 R ROCKSTER	1150	2003 → 2006	F	320	181	4.8/5	5	16.5x13.8	203.4	R
R 1150 RS	1150	2001 → 2005	F	320	181	4.8/5	5	16.5x13.8	203.4	R
R 1150 RT	1150	2001 → 2005	F	320	181	4.8/5	5	16.5x13.8	203.4	R
R 1150 RT ABS	1150	2001 → 2005	F	320	181	4.8/5	5	16.5x13.8	203.4	R
HP2 Megamoto	1200	2007 → 2010	F	320	181	4.8/5	5	16.5x13.8	203.4	R
HP2 SPORT	1200	2008 → 2011	F	320	181	4.8/5	5	16.5x13.8	203.4	R
K 1200 GT ABS	1200	2002 → 2007	F	320	181	4.8/5	5	16.5x13.8	203.4	R
K 1200 LT ABS	1200	2001 → 2009	F	320	181	4.8/5	5	16.5x13.8	203.4	R
K 1200 R	1200	2004 → 2008	F	320	181	4.8/5	5	16.5x13.8	203.4	R
K 1200 RS	1200	2001 → 2006	F	320	181	4.8/5	5	16.5x13.8	203.4	R
K 1200 S / ABS	1200	2004 → 2007	F	320	181	4.8/5	5	16.5x13.8	203.4	R
R 1200 R	1200	2006 → 2015	F	320	181	4.8/5	5	16.5x13.8	203.4	R
R 1200 RS	1200	2015 →	F	320	181	4.8/5	5	16.5x13.8	203.4	R
R 1200 RT	1200	2005 → 2013	F	320	181	4.8/5	5	16.5x13.8	203.4	R
R 1200 RT	1200	2014 → 2015	F	320	181	4.8/5	5	16.5x13.8	203.4	R
R 1200 S	1200	2006 → 2008	F	320	181	4.8/5	5	16.5x13.8	203.4	R
R 1200 ST	1200	2005 → 2008	F	320	181	4.8/5	5	16.5x13.8	203.4	R
R NINE T	1200	2014 → 2015	F	320	181	4.8/5	5	16.5x13.8	203.4	R
K 1300 GT	1300	2009 → 2010	F	320	181	4.8/5	5	16.5x13.8	203.4	R
K 1300 R - ABS	1300	2008 → 2014	F	320	181	4.8/5	5	16.5x13.8	203.4	R
K 1300 S	1300	2009 → 2014	F	320	181	4.8/5	5	16.5x13.8	203.4	R
K 1600 GT	1600	2011 → 2014	F	320	181	4.8/5	5	16.5x13.8	203.4	R
K 1600 GTL	1600	2011 → 2014	F	320	181	4.8/5	5	16.5x13.8	203.4	R
NUDA	900	2012 → 2013	F	320	181	4.8/5	5	16.5x13.8	203.4	R
NUDA R	900	2012 → 2013	F	320	181	4.8/5	5	16.5x13.8	203.4	R
NUDA R ABS	900	2013 →	F	320	181	4.8/5	5	16.5x13.8	203.4	R
XLH 883 SPORTSTER	883	1985 → 1999	F	292	50.5	5	5	8.5	82.5	RPF/RP/RF/R
XLH 883 SPORTSTER	883	1985 → 1999	F/R	292	50.5	5	5	8.5	82.5	RPF/RP/RF/R
XL 1000	1000	1978 →	F	292	50.5	5	5	8.5	82.5	RPF/RP/RF/R
XLS 1000 ROADSTER	1000	1979 → 1984	F	292	50.5	5	5	8.5	82.5	RPF/RP/RF/R
XLH 1200 SPORTSTER	1200	1987 → 1999	F	292	50.5	5	5	8.5	82.5	RPF/RP/RF/R
XLH 1200 SPORTSTER	1200	1987 → 1999	F/R	292	50.5	5	5	8.5	82.5	RPF/RP/RF/R
XLH 1200 SPORTSTER SPORT	1200	1996 → 1999	F	292	50.5	5	5	8.5	82.5	RPF/RP/RF/R
FLH 1340 80	1340	1981 → 1984	F	292	50.5	5	5	8.5	82.5	RPF/RP/RF/R
FLH 1340 81	1340	1987 → 1999	F	292	50.5	5	5	8.5	82.5	RPF/RP/RF/R
FLH 1340 82	1340	1987 → 1999	F	292	50.5	5	5	8.5	82.5	RPF/RP/RF/R
FLH 1340 83	1340	1989 → 1999	F	292	50.5	5	5	8.5	82.5	RPF/RP/RF/R
FLH 1340 ELECTRA GLIDE	1340	1982 → 1983	F	292	50.5	5	5	8.5	82.5	RPF/RP/RF/R
FLSTC 1340 HERITAGE SOFTAIL CLASSIC	1340	1989 → 1999	F	292	50.5	5	5	8.5	82.5	RPF/RP/RF/R
FLSTC FAT BOY	1340	1989 → 1999	F	292	50.5	5	5	8.5	82.5	RPF/RP/RF/R
FLSTC HERITAGE SOFTAIL CLASSIC	1340	1989 → 1999	F	292	50.5	5	5	8.5	82.5	RPF/RP/RF/R
FLSTC HERITAGE SOFTAIL CLASSIC	1340	1989 → 1999	F/R	292	50.5	5	5	8.5	82.5	RPF/RP/RF/R
FLSTF FAT BOY	1340	1989 → 1999	F	292	50.5	5	5	8.5	82.5	RPF/RP/RF/R
FXDWG DYNA WIDE GLIDE	1340	1993 → 1998	F	292	50.5	5	5	8.5	82.5	RPF/RP/RF/R
FXLR 1340 LOW RIDER CUSTOM	1340	1987 → 1999	F	292	50.5	5	5	8.5	82.5	RPF/RP/RF/R
FXLR 1340 LOW RIDER CUSTOM	1340	1987 → 1999	F/R	292	50.5	5	5	8.5	82.5	RPF/RP/RF/R
FXR 1340 SUPER GLIDE	1340	1982 → 1999	F	292	50.5	5	5	8.5	82.5	RPF/RP/RF/R
FXR 1340 SUPER GLIDE	1340	1982 → 1999	F/R	292	50.5	5	5	8.5	82.5	RPF/RP/RF/R
FXRS 1340 LOW RIDER SPORT	1340	1987 → 1999	F	292	50.5	5	5	8.5	82.5	RPF/RP/RF/R
FXRS 1340 LOW RIDER SPORT	1340	1987 → 1999	F/R	292	50.5	5	5	8.5	82.5	RPF/RP/RF/R
FXRT 1340 SPORT GLIDE	1340	1987 → 1999	F	292	50.5	5	5	8.5	82.5	RPF/RP/RF/R
FXRT 1340 SPORT GLIDE	1340	1987 → 1999	F/R	292	50.5	5	5	8.5	82.5	RPF/RP/RF/R
FXSTC SOFTAIL CUSTOM	1340	1989 → 1993	F	292	50.5	5	5	8.5	82.5	RPF/RP/RF/R
FXSTC SOFTAIL CUSTOM	1340	1994 → 1995	F/R	292	50.5	5	5	8.5	82.5	RPF/RP/RF/R
FXSTC SOFTAIL CUSTOM	1340	1995 → 1999	F	292	50.5	5	5	8.5	82.5	RPF/RP/RF/R
FXSTS 1340 SPRINGER SOFTAIL	1340	1989 → 1999	F	292	50.5	5	5	8.5	82.5	RPF/RP/RF/R



CC

Front
Rear

Outside Dia (mm)

Inside Dia (mm)

Thickness (mm)

No. of Fixing hole

Fixing hole dia. (mm)

Fix. hole centralise diam (mm)

DISC TYPE

Code	Brand	Model	CC	Year	Front/Rear	Outside Dia (mm)	Inside Dia (mm)	Thickness (mm)	No. of Fixing hole	Fixing hole dia. (mm)	Fix. hole centralise diam (mm)	DISC TYPE
...FMD0091		XL R	250	1984 → 1992	F	240	118	3	4	6.5	134	R
		XR R	250	1986 → 1988	F	240	118	3	4	6.5	134	R
		XL R	350	1985 →	F	240	118	3	4	6.5	134	R
		XL X	350	1989 →	F	240	118	3	4	6.5	134	R
		XR R	350	1983 → 1984	F	240	118	3	4	6.5	134	R
		CR E	500	1988 → 1988	F	240	118	3	4	6.5	134	R
		CR R	500	1990 → 1994	F	240	118	3	4	6.5	134	R
FMD0092	KYMCO	B&W EURO 2	50	2003 →	F	220	58	4	5	10.5	80	R
		DINK	50	1997 → 1998	F	220	58	4	5	10.5	80	R
		DINK	125	2000 → 2005	F	220	58	4	5	10.5	80	R
		GRAND DINK	125	2001 → 2004	F	220	58	4	5	10.5	80	R
		MOVIE	125	1999 → 2000	F	220	58	4	5	10.5	80	R
		MOVIE EURO 3	125	2006 → 2007	F	220	58	4	5	10.5	80	R
		MOVIE XL	125	2001 → 2004	F	220	58	4	5	10.5	80	R
		DINK CLASSIC	150	2002 →	F	220	58	4	5	10.5	80	R
		DINK CLASSIC EURO 2	150	2003 →	F	220	58	4	5	10.5	80	R
		GRAND DINK	150	2001 → 2004	F	220	58	4	5	10.5	80	R
		MOVIE EURO 3	150	2006 → 2007	F	220	58	4	5	10.5	80	R
		MOVIE XL	150	2001 → 2004	F	220	58	4	5	10.5	80	R
		DINK CLASSIC	200	2004 →	F	220	58	4	5	10.5	80	R
		B&W BET & WIN	250	2000 → 2002	F	220	58	4	5	10.5	80	R
		B&W EURO 2	250	2003 →	F	220	58	4	5	10.5	80	R
		GRAND DINK	250	2001 → 2002	F	220	58	4	5	10.5	80	R
		GRAND DINK EURO 2	250	2003 → 2004	F	220	58	4	5	10.5	80	R
		YUP	250	2003 →	F	220	58	4	5	10.5	80	R
FMD0093	CAGIVA	ELEFANT I.E.	900	1990 → 1992	F	296	144	5	6	10.5	166	R
	HONDA	NEW LEAD	107	2008 →	F	296	144	5	6	10.5	166	R
		VTZ XELVIS	250	1992 →	F	296	144	5	6	10.5	166	R
		XELVIS V-25	250	1997 →	F	296	144	5	6	10.5	166	R
		CB	500	1994 → 1996	F	296	144	5	6	10.5	166	R
		CB	500	1997 → 2003	F	296	144	5	6	10.5	166	R
		CBF ABS	500	2004 → 2007	F	296	144	5	6	10.5	166	R
		CBF	600	2004 → 2007	F	296	144	5	6	10.5	166	R
		NTV DEAUVILLE	650	1998 → 2005	F	296	144	5	6	10.5	166	R
		NTV DEAUVILLE	680	2006 → 2012	F	296	144	5	6	10.5	166	R
		CB F	750	1983 → 1984	F	296	144	5	6	10.5	166	R
		CB N SEVEN FIFTY	750	1992 → 2002	F	296	144	5	6	10.5	166	R
		VFR F	750	1988 → 1989	F	296	144	5	6	10.5	166	R
		VFR F	750	1990 → 1993	F	296	144	5	6	10.5	166	R
		VT BLACK WINDOW	750	2001 → 2004	F	296	144	5	6	10.5	166	R
		VT C SHADOW	750	1986 → 2009	F	296	144	5	6	10.5	166	R
		VT C2 SHADOW A.C.E.	750	1997 → 2008	F	296	144	5	6	10.5	166	R
		VT SHADOW	750	2004 →	F	296	144	5	6	10.5	166	R
		CBR F	1000	1987 → 1992	F	296	144	5	6	10.5	166	R
		CBR F	1000	1993 → 1997	F	296	144	5	6	10.5	166	R
		CBR F-FP	1000	1993 → 1999	F	296	144	5	6	10.5	166	R
		ST PAN EUROPEAN	1100	1989 → 1990	F	296	144	5	6	10.5	166	R
		ST PAN EUROPEAN	1100	1990 → 1991	F	296	144	5	6	10.5	166	R
		ST PAN EUROPEAN	1100	1991 → 1996	F	296	144	5	6	10.5	166	R
		ST PAN EUROPEAN ABS	1100	1992 → 1995	F	296	144	5	6	10.5	166	R
		ST PAN EUROPEAN ABS-TCS-CBS	1100	1996 → 1997	F	296	144	5	6	10.5	166	R
		ST PAN EUROPEAN ABS-TCS-CBS	1100	1997 → 2001	F	296	144	5	6	10.5	166	R
FMD0094	HONDA	CR R	80	1997 → 2002	F	220	88.2	3	4	6.3	106	R
		CR	85	2003 → 2007	F	220	88.2	3	4	6.3	106	R
FMD0095	HONDA	CRF R	150	2007 → 2015	F	220	88.2	3	4	6.3	106	R
		CR R - E	125	2002 → 2007	F	240	101.3	3	6	6.5	117	R
		CRF	230	2004 → 2009	F	240	101.3	3	6	6.5	117	R
		CR R - E	250	2002 → 2010	F	240	101.3	3	6	6.5	117	R
		CRE IE	250	2007 → 2008	F	240	101.3	3	6	6.5	117	R
		CRF R - E	250	2004 → 2014	F	240	101.3	3	6	6.5	117	R
		CRF R - E	250	2015 →	F	240	101.3	3	6	6.5	117	R
		CRF X	250	2004 →	F	240	101.3	3	6	6.5	117	R
		CRE IE	290	2007 → 2008	F	240	101.3	3	6	6.5	117	R
		CRF X	300	2008 → 2012	F	240	101.3	3	6	6.5	117	R
		CRF EFI	450	2009 → 2012	F	240	101.3	3	6	6.5	117	R
		CRF R - E	450	2002 → 2014	F	240	101.3	3	6	6.5	117	R
		CRF R EFI	450	2013 →	F	240	101.3	3	6	6.5	117	R
		CRF X	450	2004 → 2007	F	240	101.3	3	6	6.5	117	R
FMD0096	HONDA	CR R	500	2002 →	F	240	101.3	3	6	6.5	117	R
		NTV DEAUVILLE	650	1998 → 2005	R	276	144	5	6	10.5	166	R
		NTV DEAUVILLE	680	2006 → 2012	R	276	144	5	6	10.5	166	R
		CBX F	750	1983 → 1988	R	276	144	5	6	10.5	166	R
		PACIFIC COAST	800	1989 → 1992	F	276	144	5	6	10.5	166	R
		CB F Big one	1000	1993 → 1995	R	276	144	5	6	10.5	166	R
		CBR F	1000	1987 → 1992	R	276	144	5	6	10.5	166	R
		VT SHADOW ACE-AERO-C2-C3	1100	1995 → 1998	R	276	144	5	6	10.5	166	R
		CB	1300	1998 → 2000	R	276	144	5	6	10.5	166	R
		CB	1300	2001 → 2002	R	276	144	5	6	10.5	166	R



CC

Front
Rear

Outside Dia (mm)

Inside Dia (mm)

Thickness (mm)

No. of Fixing hole

Fixing hole dia. (mm)

Fix. hole centralise diam (mm)

DISC TYPE

Code	Brand	Model	CC	Year	Disc	Front	Rear	Outside Dia (mm)	Inside Dia (mm)	Thickness (mm)	No. of Fixing hole	Fixing hole dia. (mm)	Fix. hole centralise diam (mm)	DISC TYPE
...FMD0096		CB X4	1300	1997 → 2000		R		276	144	5	6	10.5	166	R
FMD0097	BENELLI	491 all models	50	1997 →		F		190	58.2	4	3	10	79.5	R
		K2 all models	50	1998 →		F		190	58.2	4	3	10	79.5	R
		K2	100	1999 →		F		190	58.2	4	3	10	79.5	R
		NAKED	100	1999 → 2002		F		190	58.2	4	3	10	79.5	R
	HONDA	SKY	50	1997 →		F		190	58.2	4	3	10	79.5	R
		SKY VETRO	50	2000 →		F		190	58.2	4	3	10	79.5	R
		YUPI	50	1990 →		F		190	58.2	4	3	10	79.5	R
		BALI SJ	100	1996 →		F		190	58.2	4	3	10	79.5	R
		CH SPACY	125	1998 →		F		190	58.2	4	3	10	79.5	R
	MBK	CW BOOSTER NG	50	1995 → 1998		F		190	58.2	4	3	10	79.5	R
		CW RS BOOSTER NG	50	1999 → 2003		F		190	58.2	4	3	10	79.5	R
		EW STUNT	50	2000 → 2002		F		190	58.2	4	3	10	79.5	R
		STUNT	50	2000 → 2006		F		190	58.2	4	3	10	79.5	R
		STUNT NAKED	50	2005 → 2010		F		190	58.2	4	3	10	79.5	R
		YQ NITRO	50	1997 → 2003		F/R		190	58.2	4	3	10	79.5	R
		YQ NITRO	100	2000 → 2002		F		190	58.2	4	3	10	79.5	R
	PEUGEOT	VIVACITY CATALITICO	50	2002 → 2004		F		190	58.2	4	3	10	79.5	R
		VIVACITY VSX -XR	50	2002 → 2004		F		190	58.2	4	3	10	79.5	R
		LOOXOR	100	2001 →		F		190	58.2	4	3	10	79.5	R
	PGO	PMS	50	1999 →		F		190	58.2	4	3	10	79.5	R
		T REX	50	1999 →		F		190	58.2	4	3	10	79.5	R
		PMS	110	1999 →		F		190	58.2	4	3	10	79.5	R
		T REX	110	1999 →		F		190	58.2	4	3	10	79.5	R
	YAMAHA	AEROX LC YQ	50	1997 →		F/R		190	58.2	4	3	10	79.5	R
		JOG R	50	2002 → 2011		F		190	58.2	4	3	10	79.5	R
		JOG R (Rear Drum Model)	50	2002 → 2011		F		190	58.2	4	3	10	79.5	R
		NEOS (Rear Drum Model)	50	2007 → 2013		F		190	58.2	4	3	10	79.5	R
		NEOS 4 (Rear Drum Model)	50	2009 → 2013		F		190	58.2	4	3	10	79.5	R
		SLIDER	50	1999 →		F/R		190	58.2	4	3	10	79.5	R
		YQ 100 AEROX	100	2000 → 2002		F		190	58.2	4	3	10	79.5	R
FMD0098	HONDA	GL GOLD WING	1100	1982 → 1983		F/R		296	184.5	6	6	10.5	206	R
		GL GOLDWING	1500	1988 → 1989		F		296	184.5	6	6	10.5	206	R
		GL GOLDWING	1500	1990 → 2000		F		296	184.5	6	6	10.5	206	R
		GLX	1500	1988 →		F		296	184.5	6	6	10.5	206	R
FMD0100	HUSQVARNA	CR	65	2010 → 2014		F		200	88	3	3	6.5	105	R
	KTM	SX	65	1998 → 2014		F		200	88	3	3	6.5	105	R
		SXS	65	2012 → 2013		F		200	88	3	3	6.5	105	R
		XC	65	2008 → 2009		F		200	88	3	3	6.5	105	R
		MX	80	2000 → 2002		F		200	88	3	3	6.5	105	R
FMD0101	KAWASAKI	ZX	400	1988 → 1989		F		270	130	5	6	10.5	150	R
		GPZ S	500	1989 → 2006		F		270	130	5	6	10.5	150	R
		GPZ R	600	1984 → 1990		F		270	130	5	6	10.5	150	R
		ZX	600	1988 → 1990		F		270	130	5	6	10.5	150	R
		GPZ R	750	1985 → 1987		F		270	130	5	6	10.5	150	R
		GPZ UNITRAK	750	1983 → 1984		F		270	130	5	6	10.5	150	R
		GPZ UNITRAK	750	1985 → 1988		F		270	130	5	6	10.5	150	R
		Z 750TURBO	750	1984 → 1986		R		270	130	5	6	10.5	150	R
		ELIMINATOR	900	1985 → 1987		R		270	130	5	6	10.5	150	R
		GPZ NINJA	900	1984 → 1986		R		270	130	5	6	10.5	150	R
		GPZ R	900	1984 → 1989		R		270	130	5	6	10.5	150	R
		ELIMINATOR	1000	1986 → 1990		R		270	130	5	6	10.5	150	R
		GTR	1000	1986 → 1993		F		270	130	5	6	10.5	150	R
		ZL	1000	1986 → 1988		R		270	130	5	6	10.5	150	R
FMD0103	KAWASAKI	KLR	570	1984 → 1991		F		250	130	4	9	10.5	146	R
		KLR	600	1984 → 1986		F		250	130	4	9	10.5	146	R
		KLR ELECTRIC STARTER	600	1985 → 1994		F		250	130	4	9	10.5	146	R
		KLR S	600	1990 → 1992		F		250	130	4	9	10.5	146	R
FMD0104	KAWASAKI	EL	250	1990 →		F		260	130	5	6	10.5	150	R
		EX R NINJA	250	1986 → 1987		F		260	130	5	6	10.5	150	R
		GPZ TURBO	750	1983 → 1985		R		260	130	5	6	10.5	150	R
		GPZ UNITRAK	750	1983 → 1984		R		260	130	5	6	10.5	150	R
FMD0105	KAWASAKI	KLE	500	1991 → 2007		F		300	130	5	9	10.5	146	R
FMD0106	KAWASAKI	KX	80	1993 → 1996		F		220.6	96.2	3	6	9.3	112	R
		KX	80	1993 → 2000		F		220.6	96.2	3	6	9.3	112	R
		KX	85	2001 → 2015		F		220.6	96.2	3	6	9.3	112	R
		KX	100	2001 → 2014		F		220.6	96.2	3	6	9.3	112	R
FMD0107	KAWASAKI	KX	65	2000 →		F/R		180	79	3	4	9.5	95	R
	SUZUKI	RM	65	2003 → 2005		F/R		180	79	3	4	9.5	95	R
FMD0110	MBK	XN DOODO	125	2000 → 2001		F		220	54	4	4	10.6	76	R
		YP SKYLINER	125	1998 → 2000		F		220	54	4	4	10.6	76	R
		YP SKYLINER	125	2001 →		F		220	54	4	4	10.6	76	R
		SKYLINER	150	1998 → 2000		F		220	54	4	4	10.6	76	R
		SKYLINER	150	2003 → 2010		F		220	54	4	4	10.6	76	R
		XN DOODO	150	2001 →		F		220	54	4	4	10.6	76	R
		YP SKYLINER	150	2000 → 2001		F		220	54	4	4	10.6	76	R
		YP SKYLINER	150	2001 → 2002		F		220	54	4	4	10.6	76	R
		YP E SKYLINER	180	2003 →		F		220	54	4	4	10.6	76	R



CC

Front
Rear

					Outside Dia (mm)	Inside Dia (mm)	Thickness (mm)	No. of Fixing hole	Fixing hole dia. (mm)	Fit. hole centralise diam (mm)	DISC TYPE	
...	FMD0111											
		SS SUPERSPORT	620	2002 → 2005	F	320	64	5	6	8.5	80	RX
		MONSTER	696	2008 → 2014	F	320	64	5	6	8.5	80	RX
		MONSTER ABS	696	2010 → 2014	F	320	64	5	6	8.5	80	RX
		748 BIPOSTO	748	1995 → 2002	F	320	64	5	6	8.5	80	RX
		748 R	748	2000 → 2001	F	320	64	5	6	8.5	80	RX
		748 S	748	1999 → 2002	F	320	64	5	6	8.5	80	RX
		748 SP	748	1995 → 1997	F	320	64	5	6	8.5	80	RX
		748 SPS	748	1998 → 1999	F	320	64	5	6	8.5	80	RX
		M MONSTER	750	1996 → 2001	F	320	64	5	6	8.5	80	RX
		MONSTER	750	1994 → 2001	F	320	64	5	6	8.5	80	RX
		SPORT	750	2000 → 2002	F	320	64	5	6	8.5	80	RX
		SS SUPERSPORT	750	1991 → 2002	F	320	64	5	6	8.5	80	RX
		MONSTER	800	2003 → 2004	F	320	64	5	6	8.5	80	RX
		SPORT	800	2003 → 2004	F	320	64	5	6	8.5	80	RX
		SS SUPERSPORT	800	2003 → 2005	F	320	64	5	6	8.5	80	RX
		851 STRADA - SP	851	1988 → 1991	F	320	64	5	6	8.5	80	RX
		888 DESMOQUATTRO	888	1993 → 1994	F	320	64	5	6	8.5	80	RX
		888 SP	888	1990 → 1993	F	320	64	5	6	8.5	80	RX
		M MONSTER	900	1993 → 2001	F	320	64	5	6	8.5	80	RX
		MONSTER	900	1993 → 2004	F	320	64	5	6	8.5	80	RX
		SL 900 SUPERLIGHT	900	1991 → 1997	F	320	64	5	6	8.5	80	RX
		SPORT	900	2002 →	F	320	64	5	6	8.5	80	RX
		SS SUPERSPORT	900	1991 → 2002	F	320	64	5	6	8.5	80	RX
		916 BIPOSTO	916	1994 → 1998	F	320	64	5	6	8.5	80	RX
		916 SPS	916	1997 → 1998	F	320	64	5	6	8.5	80	RX
		MONSTER S4	916	2001 → 2003	F	320	64	5	6	8.5	80	RX
		ST4	916	1998 → 2004	F	320	64	5	6	8.5	80	RX
		ST2	944	1997 → 2003	F	320	64	5	6	8.5	80	RX
		ST3	992	2004 → 2006	F	320	64	5	6	8.5	80	RX
		996 BIPOSTO	996	1999 → 2001	F	320	64	5	6	8.5	80	RX
		996 S	996	2001 →	F	320	64	5	6	8.5	80	RX
		MONSTER S4R	996	2003 → 2006	F	320	64	5	6	8.5	80	RX
		ST4 S	996	2001 → 2005	F	320	64	5	6	8.5	80	RX
		ST4 S ABS	996	2003 → 2003	F	320	64	5	6	8.5	80	RX
		998 BIPOSTO	998	2002 → 2003	F	320	64	5	6	8.5	80	RX
		998 S (two pads)	998	2002 → 2003	F	320	64	5	6	8.5	80	RX
		GT	1000	2006 → 2010	F	320	64	5	6	8.5	80	RX
		GT TOURING	1000	2009 →	F	320	64	5	6	8.5	80	RX
		MONSTER	1000	2003 → 2005	F	320	64	5	6	8.5	80	RX
		MONSTER S	1000	2003 → 2005	F	320	64	5	6	8.5	80	RX
		MONSTER S2R	1000	2006 → 2007	F	320	64	5	6	8.5	80	RX
		PAUL SMART LE	1000	2006 → 2007	F	320	64	5	6	8.5	80	RX
		SPORT	1000	2006 → 2008	F	320	64	5	6	8.5	80	RX
		SPORT S	1000	2007 → 2009	F	320	64	5	6	8.5	80	RX
		SS SUPERSPORT	1000	2003 → 2006	F	320	64	5	6	8.5	80	RX
		ST3	1000	2004 → 2006	F	320	64	5	6	8.5	80	RX
		ST3 S ABS	1000	2006 → 2007	F	320	64	5	6	8.5	80	RX
	GILERA	GFR	125	1993 → 1994	F	320	64	5	6	8.5	80	RX
	KTM	DUKE II	640	2003 → 2006	F	320	64	5	6	8.5	80	RX
		DUKE	690	2008 → 2013	F	320	64	5	6	8.5	80	RX
	LAVERDA	GHOST	650	1996 → 1999	F	320	64	5	6	8.5	80	RX
		SPORT	650	1995 → 2001	F	320	64	5	6	8.5	80	RX
		S FORMULA	750	1998 → 2001	F	320	64	5	6	8.5	80	RX
		STRIKE	750	1998 → 2001	F	320	64	5	6	8.5	80	RX
	MOTO GUZZI	BREVA	750	2003 → 2007	F	320	64	5	6	8.5	80	RX
		NEVADA	750	2003 → 2007	F	320	64	5	6	8.5	80	RX
		V7 CLASSIC	750	2008 → 2013	F	320	64	5	6	8.5	80	RX
		V7 II ABS	750	2015 →	F	320	64	5	6	8.5	80	RX
		V7 RACER	750	2010 → 2013	F	320	64	5	6	8.5	80	RX
		V7 SPECIAL	750	2012 → 2013	F	320	64	5	6	8.5	80	RX
		V7 STONE	750	2012 → 2013	F	320	64	5	6	8.5	80	RX
		BREVA	850	2006 → 2008	F	320	64	5	6	8.5	80	RX
		GRISO	850	2006 →	F	320	64	5	6	8.5	80	RX
		NORGE T-GTL	850	2007 →	F	320	64	5	6	8.5	80	RX
		DAYTONA IE	1000	1995 → 2000	F	320	64	5	6	8.5	80	RX
		V10 CENTAURO	1000	1996 → 2001	F	320	64	5	6	8.5	80	RX
		V10 CENTAURO SPORT	1000	1998 → 2000	F	320	64	5	6	8.5	80	RX
		BREVA	1100	2005 → 2007	F	320	64	5	6	8.5	80	RX
		CALIFORNIA EV	1100	1996 → 2000	F	320	64	5	6	8.5	80	RX
		CALIFORNIA EV SPECIAL	1100	1997 → 2003	F	320	64	5	6	8.5	80	RX
		CALIFORNIA JACKAL	1100	2001 → 2006	F	320	64	5	6	8.5	80	RX
		GRISO	1100	2005 → 2008	F	320	64	5	6	8.5	80	RX
		SPORT	1100	1996 →	F	320	64	5	6	8.5	80	RX
		V10 CENTAURO SPORT	1100	1998 → 2000	F	320	64	5	6	8.5	80	RX
		V11 LE MANS	1100	2000 → 2005	F	320	64	5	6	8.5	80	RX
		V11 SPORT	1100	1997 → 2000	F	320	64	5	6	8.5	80	RX
		BREVA	1200	2008 → 2009	F	320	64	5	6	8.5	80	RX
		BREVA ABS	1200	2008 → 2009	F	320	64	5	6	8.5	80	RX

12020



CC

Front
Rear

Outside Dia (mm)

Inside Dia (mm)

Thickness (mm)

No. of Fixing hole

Fixing hole dia. (mm)

Fit. hole centreline diam (mm)

DISC TYPE

Code	Brand	Model	CC	Year	Front/Rear	Outside Dia (mm)	Inside Dia (mm)	Thickness (mm)	No. of Fixing hole	Fixing hole dia. (mm)	Fit. hole centreline diam (mm)	DISC TYPE
...FMD0111		GRISO 8 V	1200	2007 → 2015	F	320	64	5	6	8.5	80	RX
		NORGE T-GTL	1200	2006 →	F	320	64	5	6	8.5	80	RX
		SPORT	1200	2006 → 2007	F	320	64	5	6	8.5	80	RX
		SPORT 8V	1200	2008 → 2010	F	320	64	5	6	8.5	80	RX
		STELVIO	1200	2008 → 2014	F	320	64	5	6	8.5	80	RX
	MOTO MORINI	9.5	1200	2006 → 2010	F	320	64	5	6	8.5	80	RX
		CORSARO	1200	2005 → 2009	F	320	64	5	6	8.5	80	RX
	MZ	1000 S	1000	2001 → 2003	F	320	64	5	6	8.5	80	RX
		1000 S	1000	2003 →	F	320	64	5	6	8.5	80	RX
	VOXAN	BLACK MAGIC	995	2006 →	F	320	64	5	6	8.5	80	RX
		CAFE RACER	995	2000 → 2006	F	320	64	5	6	8.5	80	RX
		ROADSTER	995	2001 → 2006	F	320	64	5	6	8.5	80	RX
	YAMAHA	TDR (Italian model)	125	1989 → 1999	F	320	64	5	6	8.5	80	RX
		FZX ZEAL	250	1991 → 1992	F	320	64	5	6	8.5	80	RX
		TDR	250	1988 → 1992	F	320	64	5	6	8.5	80	RX
		TZR	250	1989 → 1992	F	320	64	5	6	8.5	80	RX
		SRX	400	1991 →	F	320	64	5	6	8.5	80	RX
		SZR	660	1995 → 2001	F	320	64	5	6	8.5	80	RX
		FZR R	750	1989 → 1992	F	320	64	5	6	8.5	80	RX
		FZR EXUP	1000	1990 → 1995	F	320	64	5	6	8.5	80	RX
		FZR EXUP	1000	1994 → 1995	F	320	64	5	6	8.5	80	RX
		FZR GENESIS	1000	1987 → 1989	F	320	64	5	6	8.5	80	RX
		XJR	1200	1995 → 1996	F	320	64	5	6	8.5	80	RX
		XJR	1200	1997 →	F	320	64	5	6	8.5	80	RX
		XJR	1300	1998 → 1999	F	320	64	5	6	8.5	80	RX
FMD0112	HONDA	RS GP	125	1991 → 2005	F	296	58	5	6	6.5	74	RX
		RS R	125	1991 → 2005	F	296	58	5	6	6.5	74	RX
		RS R GP	125	1991 → 2005	F	296	58	5	6	6.5	74	RX
		CB F HORNET	250	1996 → 2001	F	296	58	5	6	6.5	74	RX
		HORNET	250	1997 →	F	296	58	5	6	6.5	74	RX
		RS GP	250	1990 → 1997	F	296	58	5	6	6.5	74	RX
		RS R	250	1990 → 1997	F	296	58	5	6	6.5	74	RX
		RS R GP	250	1990 → 1997	F	296	58	5	6	6.5	74	RX
		TSR	250	1999 →	F	296	58	5	6	6.5	74	RX
		CB N	400	1982 → 1988	F	296	58	5	6	6.5	74	RX
		CBR F2	400	1985 → 1987	F	296	58	5	6	6.5	74	RX
		VFR R	400	1989 → 1993	F	296	58	5	6	6.5	74	RX
		CBR F	600	1995 → 1998	F	296	58	5	6	6.5	74	RX
		VFR F	750	1994 → 1997	F	296	58	5	6	6.5	74	RX
		CBR RR	900	1994 → 1997	F	296	58	5	6	6.5	74	RX
		VTR F FIRESTORM	1000	1997 → 2007	F	296	58	5	6	6.5	74	RX
		VTR F SUPER HAWK	1000	1997 → 2007	F	296	58	5	6	6.5	74	RX
FMD0113	HONDA	CBR F	600	1999 → 2000	F	296	62	5	6	6.5	78	RX
		CBR F3	600	2003 →	F	296	62	5	6	6.5	78	RX
		CROSSRUNNER	800	2011 → 2014	F	296	62	5	6	6.5	78	RX
		VFR V-TEC	800	1998 → 2010	F	296	62	5	6	6.5	78	RX
		CBR F	900	2003 →	F	296	62	5	6	6.5	78	RX
		CBR RR	900	1992 → 1993	F	296	62	5	6	6.5	78	RX
		XLV VARADERO	1000	1999 → 2002	F	296	62	5	6	6.5	78	RX
		XLV VARADERO	1000	2003 → 2011	F	296	62	5	6	6.5	78	RX
		GL F6C VALKYRIE	1500	1997 → 2003	F	296	62	5	6	6.5	78	RX
		GL GOLD WING	1800	2001 → 2014	F	296	62	5	6	6.5	78	RX
FMD0114	KAWASAKI	ZXR	400	1991 → 2002	F	310	61	5	5	10.5	81	RX
		ZX7R NINJA	750	1989 → 1995	F	310	61	5	5	10.5	81	RX
		ZXR	750	1989 → 1995	F	310	61	5	5	10.5	81	RX
		ZXR R	750	1989 → 1992	F	310	61	5	5	10.5	81	RX
		ZX9R NINJA	900	2000 → 2001	F	310	61	5	5	10.5	81	RX
		ZEPHYR	1100	1993 → 1995	F	310	61	5	5	10.5	81	RX
		ZEPHYR	1100	1996 → 1998	F	310	61	5	5	10.5	81	RX
		ZRX	1100	1997 → 2000	F	310	61	5	5	10.5	81	RX
		ZZR	1100	1990 → 1992	F	310	61	5	5	10.5	81	RX
		ZRX	1200	2001 → 2006	F	310	61	5	5	10.5	81	RX
		ZRX R	1200	2001 → 2006	F	310	61	5	5	10.5	81	RX
		ZRX S	1200	2001 → 2006	F	310	61	5	5	10.5	81	RX
FMD0115	KAWASAKI	ZZR	250	1992 →	F	300	61	5	5	10.5	81	RX
		ZXR	400	1989 → 1990	F	300	61	5	5	10.5	81	RX
		ZEPHYR	550	1993 → 2001	F	300	61	5	5	10.5	81	RX
		ELIMINATOR	600	1995 → 1999	F	300	61	5	5	10.5	81	RX
		ZX6R NINJA	600	1995 → 1997	F	300	61	5	5	10.5	81	RX
		ZX6R NINJA	600	1998 → 2001	F	300	61	5	5	10.5	81	RX
		ZZR	600	1990 → 1992	F	300	61	5	5	10.5	81	RX
		ZZR	600	1993 → 2005	F	300	61	5	5	10.5	81	RX
		ZZR	600	2005 → 2006	F	300	61	5	5	10.5	81	RX
		ZX6R 636 NINJA	636	2002 → 2004	F	300	61	5	5	10.5	81	RX
		ZX6R NINJA	636	2002 → 2002	F	300	61	5	5	10.5	81	RX
		Z 750	750	2004 → 2006	F	300	61	5	5	10.5	81	RX
		Z 750 S	750	2005 → 2006	F	300	61	5	5	10.5	81	RX
		ZEPHYR	750	1991 → 1999	F	300	61	5	5	10.5	81	RX



Front
Rear

Outside Dia (mm)

Inside Dia (mm)

Thickness (mm)

No. of Fixing hole

Fixing hole dia. (mm)

Fix. hole centreline diam (mm)

DISC TYPE

Code	Brand	Model	Capacity	Year	Direction	Outside Dia (mm)	Inside Dia (mm)	Thickness (mm)	No. of Fixing hole	Fixing hole dia. (mm)	Fix. hole centreline diam (mm)	DISC TYPE
...FMD0115		ZR7	750	1999 → 2003	F	300	61	5	5	10.5	81	RX
		ZR7S	750	2001 → 2003	F	300	61	5	5	10.5	81	RX
		GPZ R	900	1990 → 2003	F	300	61	5	5	10.5	81	RX
		GTR	1000	1994 → 2006	F	300	61	5	5	10.5	81	RX
		Z 1000	1000	2003 → 2006	F	300	61	5	5	10.5	81	RX
		GPZ	1100	1995 → 1998	F	300	61	5	5	10.5	81	RX
		ZX12R NINJA	1200	2004 → 2006	F	300	61	5	5	10.5	81	RX
FMD0116	KAWASAKI	ZX7R NINJA	750	1996 → 2003	F	320	61	5	5	10.5	81	RX
		ZX7RR NINJA	750	1996 → 2002	F	320	61	5	5	10.5	81	RX
		ZX7RR NINJA	750	2003 →	F	320	61	5	5	10.5	81	RX
		ZXR L	750	1993 → 1995	F	320	61	5	5	10.5	81	RX
		ZXR R	750	1993 → 1995	F	320	61	5	5	10.5	81	RX
		ZX9R NINJA	900	1994 → 1997	F	320	61	5	5	10.5	81	RX
		ZX9R NINJA	900	2002 → 2003	F	320	61	5	5	10.5	81	RX
		ZZR	1100	1993 → 1999	F	320	61	5	5	10.5	81	RX
		ZX12R NINJA	1200	2000 → 2003	F	320	61	5	5	10.5	81	RX
		ZZR	1200	2002 → 2005	F	320	61	5	5	10.5	81	RX
		VN MEAN STREAK	1500	2002 → 2003	F	320	61	5	5	10.5	81	RX
FMD0117	SUZUKI	GSX R	750	1989 → 1995	F	310	64	5	5	10.5	86	RX
		GSX R LIMITED EDITION	750	1989 → 1990	F	310	64	5	5	10.5	86	RX
		GSX R W	750	1994 → 1995	F	310	64	5	5	10.5	86	RX
		GSX R	1100	1989 → 2000	F	310	64	5	5	10.5	86	RX
FMD0118	SUZUKI	RG F GAMMA	125	1992 →	F	300	64	5	5	10.5	86	RX
		RGV GAMMA	250	1991 → 1996	F	300	64	5	5	10.5	86	RX
		GSX	750	1997 → 2003	F	300	64	5	5	10.5	86	RX
		VZ MARAUDER	800	1996 → 2004	F	300	64	5	5	10.5	86	RX
FMD0119	SUZUKI	GSF BANDIT	250	1990 →	F	310	64	5	5	10.5	86	RX
		GS	400	1989 → 1989	F	310	64	5	5	10.5	86	RX
		GSF BANDIT	400	1989 → 1996	F	310	64	5	5	10.5	86	RX
		GS E	500	1989 → 2003	F	310	64	5	5	10.5	86	RX
		GS F	500	2004 → 2007	F	310	64	5	5	10.5	86	RX
		RF	900	1994 → 1997	F	310	64	5	5	10.5	86	RX
		GSF BANDIT	1200	1996 → 2005	F	310	64	5	5	10.5	86	RX
		GSX INAZUMA	1200	1999 → 2002	F	310	64	5	5	10.5	86	RX
FMD0120	SUZUKI	GSF BANDIT	600	1995 → 1999	F	290	64	5	5	10.5	86	RX
		GSF BANDIT	600	2000 → 2004	F	290	64	5	5	10.5	86	RX
		GSX F	600	1998 → 2003	F	290	64	5	5	10.5	86	RX
		RF R	600	1993 → 1997	F	290	64	5	5	10.5	86	RX
		SV	650	1999 → 2002	F	290	64	5	5	10.5	86	RX
		SV S	650	1999 → 2002	F	290	64	5	5	10.5	86	RX
		GSX F	750	1998 → 2003	F	290	64	5	5	10.5	86	RX
FMD0121	CAGIVA	FRECCIA C12R	125	1989 → 1991	F	300	64	5	6	8.5	80	RX
	DUCATI	PASO 907 I.E.	904	1990 → 1991	F	300	64	5	6	8.5	80	RX
	MOTO GUZZI	DAYTONA IE	1000	1991 → 1994	F	300	64	5	6	8.5	80	RX
	YAMAHA	TZ COMPETITION	125	1996 → 1997	F	300	64	5	6	8.5	80	RX
		R1-Z	250	1997 →	F	300	64	5	6	8.5	80	RX
		TZ GP	250	1996 → 1997	F	300	64	5	6	8.5	80	RX
		XJR	400	1995 → 2000	F	300	64	5	6	8.5	80	RX
		FZR	600	1989 →	F	300	64	5	6	8.5	80	RX
		FZR R	600	1990 → 1995	F	300	64	5	6	8.5	80	RX
		FZS FAZER	600	1998 → 2003	F	300	64	5	6	8.5	80	RX
		FZ GENESIS	750	1989 → 1992	F	300	64	5	6	8.5	80	RX
		TDM	850	1991 → 2001	F	300	64	5	6	8.5	80	RX
		TRX	850	1995 → 2000	F	300	64	5	6	8.5	80	RX
		FJ	1200	1988 → 1995	F	300	64	5	6	8.5	80	RX
		FJ	1200	1990 →	F	300	64	5	6	8.5	80	RX
FMD0123	HONDA	VFR R	750	1988 → 1991	F	310	58	5	6	6.5	74	RX
		CB	1000	1993 → 1993	F	310	58	5	6	6.5	74	RX
FMD0125	SUZUKI	GSX R	600	1997 → 2003	F	320	69	5	5	10.5	91	RX
		GSX R	750	1996 → 2003	F	320	69	5	5	10.5	91	RX
		GSX R Y	750	2000 → 2003	F	320	69	5	5	10.5	91	RX
		GSX R	1000	2001 → 2002	F	320	69	5	5	10.5	91	RX
		TL R	1000	1998 → 2003	F	320	69	5	5	10.5	91	RX
		TL S	1000	1997 → 2001	F	320	69	5	5	10.5	91	RX
		GSX R HAYABUSA	1300	1999 → 2007	F	320	69	5	5	10.5	91	RX
		GSX	1400	2002 → 2007	F	320	69	5	5	10.5	91	RX
FMD0126	YAMAHA	WR X	250	2008 →	F	300	132	5	6	8.5	150	RX
		XJ DIVERSION S-N	600	1998 →	F	300	132	5	6	8.5	150	RX
		XJ N	600	1998 → 2003	F	300	132	5	6	8.5	150	RX
		XJ S DIVERSION	600	1998 → 2003	F	300	132	5	6	8.5	150	RX
		YZF R THUNDERCAT	600	1996 → 2004	F	300	132	5	6	8.5	150	RX
		YZF R6	600	1999 → 2002	F	300	132	5	6	8.5	150	RX
		TDM	900	2002 → 2014	F	300	132	5	6	8.5	150	RX
		FZS FAZER	1000	2001 → 2005	F	300	132	5	6	8.5	150	RX
		YZF R THUNDERACE	1000	1996 → 1998	F	300	132	5	6	8.5	150	RX
		YZF R1	1000	1998 → 2001	F	300	132	5	6	8.5	150	RX
		YZF R1	1000	2002 → 2003	F	300	132	5	6	8.5	150	RX
		BT BULLDOG	1100	2002 → 2006	F	300	132	5	6	8.5	150	RX

**CC****Front
Rear****Outside Dia (mm)****Inside Dia (mm)****Thickness (mm)****No. of Fixing hole****Fixing hole dia. (mm)****Fit. hole centralline diam (mm)****DISC TYPE**

...FMD0126		XVZ VENTURE ROYALE	1200	1984 → 1987	F/R	300	132	5	6	8.5	150	RX	
		FJR	1300	2001 → 2004	F	300	132	5	6	8.5	150	RX	
		FJR	1300	2003 → 2004	F	300	132	5	6	8.5	150	RX	
		XJR	1300	1999 → 2015	F	300	132	5	6	8.5	150	RX	
		XVS MIDNIGHT STAR	1300	2007 → 2011	F	300	132	5	6	8.5	150	RX	
		XV PC ROAD STAR WARRIOR	1700	2002 → 2007	F	300	132	5	6	8.5	150	RX	
FMD0128	HONDA	CBR RR	900	1998 → 1999	F	310	62	5	6	6.5	78	RX	
		CB X4	1300	1997 → 2000	F	310	62	5	6	6.5	78	RX	
FMD0129	YAMAHA	YZF R7	750	1999 → 2001	F	320	132	5	6	8.5	150	RX	
		XVS A MIDNIGHT STAR	950	2009 → 2013	F	320	132	5	6	8.5	150	RX	
		FJR ABS	1300	2003 → 2013	F	320	132	5	6	8.5	150	RX	
		MT-01	1670	2005 → 2006	F	320	132	5	6	8.5	150	RX	
		MT01	1670	2005 → 2006	F	320	132	5	6	8.5	150	RX	
FMD0130	HONDA	CBR RR	929	2000 → 2001	F	330	94	5	6	6.5	110	RX	
		CBR RR	954	2002 → 2003	F	330	94	5	6	6.5	110	RX	
FMD0131	HONDA	CB X-11	1100	2000 → 2003	F	310	62	5	6	6.5	78	RX	
		CBR XX	1100	1999 → 2004	F	310	62	5	6	6.5	78	RX	
		CBR XX	1100	2005 → 2007	F	310	62	5	6	6.5	78	RX	
		X ELEVEN	1100	2000 → 2003	F	310	62	5	6	6.5	78	RX	
		CB	1300	2001 → 2002	F	310	62	5	6	6.5	78	RX	
FMD0132	APRILIA	RS REPLICA	250	1995 → 2003	F	300	61	5	6	8.5	80	RX	
	CAGIVA	RAPTOR	650	2001 → 2007	F	300	61	5	6	8.5	80	RX	
		RAPTOR	1000	2000 → 2006	F	300	61	5	6	8.5	80	RX	
		V-RAPTOR	1000	2000 → 2006	F	300	61	5	6	8.5	80	RX	
		XTRA-RAPTOR	1000	2002 → 2004	F	300	61	5	6	8.5	80	RX	
FMD0133	KYMCO	NEW DINK	200	2008 →	R	200	58	4	5	10.5	80	R	
		GRAND DINK	250	2001 → 2002	R	200	58	4	5	10.5	80	R	
FMD0134	HONDA	CBR F SPORT	600	2001 → 2002	F	296	94	5	6	6.5	110	RX	
		CBR F4	600	2001 → 2006	F	296	94	5	6	6.5	110	RX	
		CB F HORNET	900	2002 → 2006	F	296	94	5	6	6.5	110	RX	
FMD0135	HONDA	CBR RR	1000	2006 → 2007	F	320	94	5	6	6.5	110	RX	
		VTR SP1 RC51	1000	2000 → 2001	F	320	94	5	6	6.5	110	RX	
		VTR SP2 RC51	1000	2002 → 2004	F	320	94	5	6	6.5	110	RX	
FMD0136	BUELL	M2 CYCLONE	1200	1998 → 2002	F	340	60.5	5	5	8.5	82.5	RX	
		S1 LIGHTNING	1200	1998 → 2002	F	340	60.5	5	5	8.5	82.5	RX	
		S3 THUNDERBOLT	1200	1998 → 2002	F	340	60.5	5	5	8.5	82.5	RX	
		S3T THUNDERBOLT	1200	1998 → 2002	F	340	60.5	5	5	8.5	82.5	RX	
FMD0137	HONDA	CB F HORNET	600	2000 → 2006	F	296	58	5	6	6.5	74	RX	
		CB F HORNET S	600	2000 → 2004	F	296	58	5	6	6.5	74	RX	
FMD0139	YAMAHA	FZ6	600	2004 → 2008	F	300	132	5	5	8.5	150	RX	
		FZ6 FAZER	600	2004 → 2007	F	300	132	5	5	8.5	150	RX	
		FZ6 Fazer	600	2007 → 2008	F	300	132	5	5	8.5	150	RX	
		FZ6 FAZER S2	600	2007 → 2008	F	300	132	5	5	8.5	150	RX	
		FZ6 S2	600	2007 → 2009	F	300	132	5	5	8.5	150	RX	
		XJ6	600	2009 → 2011	F	300	132	5	5	8.5	150	RX	
		XJ6 DIVERSION	600	2009 → 2011	F	300	132	5	5	8.5	150	RX	
		YZF R6	600	2003 → 2004	F	300	132	5	5	8.5	150	RX	
		MT03	660	2006 → 2011	F	300	132	5	5	8.5	150	RX	
		MT-09	850	2014 → 2015	F	300	132	5	5	8.5	150	RX	
		MT-09 ABS	850	2014 → 2015	F	300	132	5	5	8.5	150	RX	
FMD0140	HONDA	CBR RR	600	2003 → 2006	F	310	94	5	6	6.5	110	RX	
		CBR RR	600	2007 → 2014	F	310	94	5	6	6.5	110	RX	
		CBR RR - ABS	600	2009 → 2014	F	310	94	5	6	6.5	110	RX	
		CB 1000 R	1000	2008 → 2013	F	310	94	5	6	6.5	110	RX	
		CB 1000 R - ABS	1000	2009 → 2014	F	310	94	5	6	6.5	110	RX	
		CBR RR	1000	2004 → 2005	F	310	94	5	6	6.5	110	RX	
		CB	1300	2003 → 2008	F	310	94	5	6	6.5	110	RX	
		CTX ABS	1300	2014 → 2015	F	310	94	5	6	6.5	110	RX	
FMD0143	HUSABERG	FS E- C	450	2003 → 2004	F	320	127	5	6	6.5	143	RX	
	KTM	STING	125	1998 →	F	320	127	5	6	6.5	143	RX	
		SMR	450	2004 → 2005	F	320	127	5	6	6.5	143	RX	
		SMR	525	2004 → 2005	F	320	127	5	6	6.5	143	RX	
		DUKE	620	1995 → 1998	F	320	127	5	6	6.5	143	RX	
		EGS-LC4	620	1996 → 2002	F	320	127	5	6	6.5	143	RX	
		SMC	625	2005 → 2007	F	320	127	5	6	6.5	143	RX	
		DUKE II	640	1999 → 2002	F	320	127	5	6	6.5	143	RX	
		LC4 SUPERMOTO	640	2000 → 2007	F	320	127	5	6	6.5	143	RX	
		SMC	660	2003 → 2007	F	320	127	5	6	6.5	143	RX	
		SUPERMOTO	690	2007 → 2009	F	320	127	5	6	6.5	143	RX	
FMD0146	TRIUMPH	DAYTONA T955i	955	2002 → 2006	F	320	78	5	5	10.5	100.5	RX	
		SPEED TRIPLE T955	955	2002 → 2004	F	320	78	5	5	10.5	100.5	RX	
		T955 DAYTONA	955	2002 →	F	320	78	5	5	10.5	100.5	RX	
		T955 SPEED TRIPLE	955	2002 → 2004	F	320	78	5	5	10.5	100.5	RX	
		SPRINT ST T1050	1050	2005 → 2011	F	320	78	5	5	10.5	100.5	RX	
FMD0147	DUCATI	748 R	748	2001 → 2002	F	320	64	5	6	8.5	80	RX	
		996 R	996	2001 →	F	320	64	5	6	8.5	80	RX	
		996 SPS	996	1999 → 2000	F	320	64	5	6	8.5	80	RX	
		998 R	998	2002 → 2003	F	320	64	5	6	8.5	80	RX	



CC

Front
Rear

Outside Dia (mm)

Inside Dia (mm)

Thickness (mm)

No. of Fixing hole

Fixing hole dia. (mm)

Fix. hole centralise diam (mm)

DISC TYPE

FMD0148	SUZUKI	DR DJEBEL	650	1990 → 1991	F	280	121	4	4	10.5	142	R		
		DR RS	650	1990 → 1991	F	280	121	4	4	10.5	142	R		
		DR BIG S	750	1987 → 1988	F	280	121	4	4	10.5	142	R		
		DR BIG S	800	1989 → 1990	F	280	121	4	4	10.5	142	R		
FMD0149	SUZUKI	DR SE	650	1996 → 2009	F	290	121	5	6	8.5	142	RF		
		VX	800	1990 → 1993	F	310	174	5	5	10.5	215	RF		
FMD0150	SUZUKI	VX	800	1994 →	F	310	174	5	5	10.5	215	RF		
		RM	80	1990 → 2001	F	200	100	3.2	3	6	120	R		
FMD0151	SUZUKI	RM	80	1990 → 2001	F	200	100	3.2	3	6	120	R		
		RM	85	2002 → 2004	F	200	100	3.2	3	6	120	R		
		RM	85	2002 → 2004	F	200	100	3.2	3	6	120	R		
		RM	85	2002 → 2004	F	200	100	3.2	3	6	120	R		
FMD0152	TM	all models	125	1990 → 2000	F	270	170.1	3.2	6	9.6	190	R		
		all models	125	2001 → 2004	F	270	170.1	3.2	6	9.6	190	R		
		250 E	250	1995 → 2000	F	270	170.1	3.2	6	9.6	190	R		
		250 F	250	2001 → 2004	F	270	170.1	3.2	6	9.6	190	R		
		250 F	250	2005 →	F	270	170.1	3.2	6	9.6	190	R		
		all models	250	1995 → 2000	F	270	170.1	3.2	6	9.6	190	R		
		all models	250	2001 → 2004	F	270	170.1	3.2	6	9.6	190	R		
		all models	250	2005 →	F	270	170.1	3.2	6	9.6	190	R		
		ENDURO F	250	2000 → 2001	F	270	170.1	3.2	6	9.6	190	R		
		ENDURO F	250	2001 → 2004	F	270	170.1	3.2	6	9.6	190	R		
		ENDURO F	250	2005 →	F	270	170.1	3.2	6	9.6	190	R		
		all models	300	1998 → 2000	F	270	170.1	3.2	6	9.6	190	R		
		all models	300	2001 → 2004	F	270	170.1	3.2	6	9.6	190	R		
		400 F	400	2000 →	F	270	170.1	3.2	6	9.6	190	R		
		all models 4T	400	2001 →	F	270	170.1	3.2	6	9.6	190	R		
		MX F	450	2002 → 2004	F	270	170.1	3.2	6	9.6	190	R		
		SMX F	450	2004 →	F	270	170.1	3.2	6	9.6	190	R		
		EN F ES	530	2003 → 2004	F	270	170.1	3.2	6	9.6	190	R		
		MX F	530	2002 → 2004	F	270	170.1	3.2	6	9.6	190	R		
		FMD0154	YAMAHA	TDR (Japanese model)	125	1989 →	F	282	132	5	6	8.5	150	R
				XV VIRAGO	125	1997 → 2000	F	282	132	5	6	8.5	150	R
				XV VIRAGO (Rear Drum Model)	125	1997 → 2001	F	282	132	5	6	8.5	150	R
				XVS DRAG STAR	125	1999 → 2001	F	282	132	5	6	8.5	150	R
				XVS DRAG STAR (Rear Drum Model)	125	1999 → 2004	F	282	132	5	6	8.5	150	R
				XVS VIRAGO	125	1998 → 2000	F	282	132	5	6	8.5	150	R
				SRV (Rear Drum Model)	250	1992 → 1997	F	282	132	5	6	8.5	150	R
				XV VIRAGO	250	1995 → 2007	F	282	132	5	6	8.5	150	R
XVS DRAG STAR	250			2001 →	F	282	132	5	6	8.5	150	R		
GTS	1000			1993 → 2000	R	282	132	5	6	8.5	150	R		
FJ	1100			1984 → 1985	F/R	282	132	5	6	8.5	150	R		
XVS DRAG STAR	1100			1999 → 2006	R	282	132	5	6	8.5	150	R		
FJ	1200			1986 → 1989	R	282	132	5	6	8.5	150	R		
FJ	1200			1988 → 1995	R	282	132	5	6	8.5	150	R		
FJ ABS	1200			1991 → 1993	R	282	132	5	6	8.5	150	R		
V MAX	1200			1986 → 1992	F/R	282	132	5	6	8.5	150	R		
V MAX	1200			1993 → 2006	R	282	132	5	6	8.5	150	R		
FJR	1300			2001 → 2004	R	282	132	5	6	8.5	150	R		
FJR	1300			2004 → 2009	R	282	132	5	6	8.5	150	R		
FJR ABS	1300			2003 → 2013	R	282	132	5	6	8.5	150	R		
FMD0155	YAMAHA			SR	125	1997 → 2002	F	267	132	5	6	8.5	150	R
				RD LC	350	1983 → 1993	F/R	267	132	5	6	8.5	150	R
				RD LC	500	1984 → 1988	F	267	132	5	6	8.5	150	R
				XP T-MAX	500	2001 → 2003	R	267	132	5	6	8.5	150	R
				XP T-MAX	500	2004 → 2007	R	267	132	5	6	8.5	150	R
				XJ	600	1983 → 1991	F/R	267	132	5	6	8.5	150	R
				FZ GENESIS	750	1987 → 1988	F/R	267	132	5	6	8.5	150	R
		FZ GENESIS	750	1989 → 1992	R	267	132	5	6	8.5	150	R		
		FZX FAZER	750	1986 → 1990	F/R	267	132	5	6	8.5	150	R		
		XV VIRAGO	750	1990 → 1993	F	267	132	5	6	8.5	150	R		
		XV VIRAGO (Rear Drum Model)	750	1990 → 1993	F	267	132	5	6	8.5	150	R		
		XJ S DIVERSION	900	1994 → 1996	R	267	132	5	6	8.5	150	R		
		FZR EXUP	1000	1990 → 1995	R	267	132	5	6	8.5	150	R		
		FZR EXUP	1000	1994 → 1995	R	267	132	5	6	8.5	150	R		
		FZR GENESIS	1000	1987 → 1989	R	267	132	5	6	8.5	150	R		
		FZS FAZER	1000	2001 → 2005	R	267	132	5	6	8.5	150	R		
		BT BULLDOG	1100	2002 → 2006	R	267	132	5	6	8.5	150	R		
		XV VIRAGO (Rear Drum Model)	1100	1986 → 1993	F	267	132	5	6	8.5	150	R		
		XJR	1200	1995 → 1996	R	267	132	5	6	8.5	150	R		
		XJR	1200	1997 →	R	267	132	5	6	8.5	150	R		
		XJR	1300	1998 → 1999	R	267	132	5	6	8.5	150	R		
		XJR	1300	1999 → 2015	R	267	132	5	6	8.5	150	R		
		MT-01	1670	2005 → 2006	R	267	132	5	6	8.5	150	R		
		MT-01	1670	2007 →	R	267	132	5	6	8.5	150	R		
		MT01	1670	2005 → 2006	R	267	132	5	6	8.5	150	R		
		MT01	1670	2007 → 2011	R	267	132	5	6	8.5	150	R		
		FMD0156	MBK	YP SKYLINER	125	2001 →	R	190	62	5	3	8.7	80	R
YP SKYLINER	150			2001 → 2002	R	190	62	5	3	8.7	80	R		



CC



Front
Rear

Outside Dia (mm)

Inside Dia (mm)

Thickness (mm)

No. of Fixing hole

Fixing hole dia. (mm)

Fit. hole centreline diam (mm)

DISC TYPE

...
...FMD0156	YAMAHA	YP E SKYLINER	180	2003 →	R	190	62	5	3	8.7	80	R	
		MAJESTY YP E	125	2001 → 2009	R	190	62	5	3	8.7	80	R	
		MAJESTY YP	150	2001 → 2002	R	190	62	5	3	8.7	80	R	
		MAJESTY YP E	180	2003 → 2006	R	190	62	5	3	8.7	80	R	
FMD0157	HRD	GS 97	250	1997 →	F	245	118	3	6	6.5	134	R	
	YAMAHA	WR	125	1998 → 2000	F	245	118	3	6	6.5	134	R	
		YZ	125	1998 → 2001	F	245	118	3	6	6.5	134	R	
		WR	250	1992 → 1997	F	245	118	3	6	6.5	134	R	
		WR	250	1998 → 2000	F	245	118	3	6	6.5	134	R	
		YZ	250	1998 → 2000	F	245	118	3	6	6.5	134	R	
		WR F	400	1998 → 2000	F	245	118	3	6	6.5	134	R	
		YZ-F	400	1998 → 2000	F	245	118	3	6	6.5	134	R	
		WR F	426	2000 → 2001	F	245	118	3	6	6.5	134	R	
		YZ-F	426	2000 → 2001	F	245	118	3	6	6.5	134	R	
FMD0159	YAMAHA	TT	600	1993 → 1995	F	267	118	4	6	6.5	134	R	
		TT E	600	1993 → 2001	F	267	118	4	6	6.5	134	R	
		TT K	600	1993 → 1996	F	267	118	4	6	6.5	134	R	
		TT R	600	1998 → 2002	F	267	118	4	6	6.5	134	R	
		TT R E	600	2004 → 2007	F	267	118	4	6	6.5	134	R	
FMD0160	YAMAHA	XJ DIVERSION S-N	600	1991 → 1997	F	320	198	5	6	8.5	216	R	
		XJ N	600	1991 → 1997	F	320	198	5	6	8.5	216	R	
		XJ S DIVERSION	600	1991 → 1997	F	320	198	5	6	8.5	216	R	
		XVZ ROYAL STAR	1300	1996 → 2007	R	320	198	5	6	8.5	216	R	
		XVZ13TF WILD STAR	1300	1999 →	R	320	198	5	6	8.5	216	R	
FMD0162	SUZUKI	RM	85	2005 → 2007	F	220	100.4	3	3	6.5	120	R	
	YAMAHA	YZ	80	1993 → 2001	F	220	100.4	3	3	6.5	120	R	
		YZ	85	2002 → 2007	F	220	100.4	3	3	6.5	120	R	
FMD0163	YAMAHA	TDR (Japanese model)	125	1989 →	F	282	132.1	5	6	8.6	150	RF	
		XV VIRAGO	125	1997 → 2000	F	282	132.1	5	6	8.6	150	RF	
		XVS DRAG STAR	125	1999 → 2001	F	282	132.1	5	6	8.6	150	RF	
		XVS VIRAGO	125	1998 → 2000	F	282	132.1	5	6	8.6	150	RF	
		SRV S -RENAISSA	250	1992 → 2000	F	282	132.1	5	6	8.6	150	RF	
		XV VIRAGO	250	1995 → 2007	F	282	132.1	5	6	8.6	150	RF	
		XVS DRAG STAR	250	2001 →	F	282	132.1	5	6	8.6	150	RF	
		XP T-MAX	500	2001 → 2003	F	282	132.1	5	6	8.6	150	RF	
		GTS	1000	1993 → 2000	R	282	132.1	5	6	8.6	150	RF	
		FJ	1200	1986 → 1987	F/R	282	132.1	5	6	8.6	150	RF	
		FJ	1200	1986 → 1989	R	282	132.1	5	6	8.6	150	RF	
		FJ	1200	1990 →	R	282	132.1	5	6	8.6	150	RF	
		FJ ABS	1200	1991 → 1993	R	282	132.1	5	6	8.6	150	RF	
		FJR	1300	2003 → 2004	R	282	132.1	5	6	8.6	150	RF	
		XVZ 13 T-TD VENTURE ROYALE	1300	1988 → 1995	F	282	132.1	5	6	8.6	150	RF	
FMD0164	APRILIA	MX	125	2004 → 2007	R	220	110	4	6	6.5	124	R	
		PEGASO	125	1990 → 1991	R	220	110	4	6	6.5	124	R	
		RS EXTREMA	125	1992 → 1997	R	220	110	4	6	6.5	124	R	
		RS REPLICAS	125	1992 → 1997	R	220	110	4	6	6.5	124	R	
		PEGASO	600	1989 → 1990	R	220	110	4	6	6.5	124	R	
		MOTO 6.5	650	1995 → 2002	R	220	110	4	6	6.5	124	R	
		PEGASO	650	1991 → 2000	R	220	110	4	6	6.5	124	R	
FMD0165	GILERA	GSM	50	1999 →	F	220	110	4	6	6.5	125	R	
		H@C	50	1999 →	F	220	110	4	6	6.5	125	R	
		SURFER	50	1999 →	F	220	110	4	6	6.5	125	R	
		ZULU	50	2001 →	F	220	110	4	6	6.5	125	R	
FMD0166	KYMCO	SNIPER DD	50	1994 → 1996	R	160	60.2	4	4	6.5	76	R	
FMD0167	GILERA	GSM	50	1999 →	R	184	59	4	6	6.5	72	R	
		H@C	50	1999 →	R	184	59	4	6	6.5	72	R	
		ZULU	50	2001 →	R	184	59	4	6	6.5	72	R	
FMD0168	PIAGGIO	X8 (pinza HengTong)	200	2005 →	F	260	125	5	5	6.5	140	R	
		BEVERLY EURO 3	400	2006 → 2008	F	260	125	5	5	6.5	140	R	
		X9 EVOLUTION	500	2003 → 2004	F	260	125	5	5	6.5	140	R	
		X9 EVOLUTION ABS	500	2006 → 2007	F	260	125	5	5	6.5	140	R	
FMD0170	APRILIA	RS	50	1999 → 2005	R	220	102	4	5	8.5	120	R	
		RS REPLICAS	50	2000 → 2005	R	220	102	4	5	8.5	120	R	
		TUONO	50	2003 → 2004	R	220	102	4	5	8.5	120	R	
		TUONO	50	2004 →	R	220	102	4	5	8.5	120	R	
		RS	125	1996 → 1997	R	220	102	4	5	8.5	120	R	
		RS	125	1998 → 2011	R	220	102	4	5	8.5	120	R	
		SCARABEO IE LIGHT	125	2008 → 2010	R	220	102	4	5	8.5	120	R	
		SCARABEO LIGHT	125	2007 → 2008	R	220	102	4	5	8.5	120	R	
		TUONO	125	2003 → 2007	R	220	102	4	5	8.5	120	R	
		SCARABEO	200	2007 →	R	220	102	4	5	8.5	120	R	
		SCARABEO CLASS	200	2010 →	R	220	102	4	5	8.5	120	R	
		SCARABEO IE LIGHT	200	2012 →	R	220	102	4	5	8.5	120	R	
		SCARABEO LIGHT	250	2006 → 2008	R	220	102	4	5	8.5	120	R	
	BMW	C 1	125	1999 →	F/R	220	102	4	5	8.5	120	R	
		C 1	200	2001 →	F/R	220	102	4	5	8.5	120	R	
	MBK	XQ THUNDER	125	2001 →	R	220	102	4	5	8.5	120	R	
	YAMAHA	MAXSTER XQ	125	2001 → 2002	R	220	102	4	5	8.5	120	R	



CC

Front
Rear

Outside Dia (mm)

Inside Dia (mm)

Thickness (mm)

No. of Fixing hole

Fixing hole dia. (mm)

Fix. hole centreline diam (mm)

DISC TYPE

Code	Brand	Model	Capacity	Year	Front/Rear	Outside Dia (mm)	Inside Dia (mm)	Thickness (mm)	No. of Fixing hole	Fixing hole dia. (mm)	Fix. hole centreline diam (mm)	Disc Type
...FMD0170		MAXSTER XQ	150	2001 → 2002	R	220	102	4	5	8.5	120	R
FMD0171	APRILIA	LEONARDO	250	1999 → 2001	R	220	96	4	5	6.5	115	R
		LEONARDO ST	250	2001 → 2004	R	220	96	4	5	6.5	115	R
		LEONARDO	300	2002 → 2004	R	220	96	4	5	6.5	115	R
		ATLANTIC SPRINT	400	2005 → 2008	R	220	96	4	5	6.5	115	R
		ATLANTIC	500	2002 → 2004	R	220	96	4	5	6.5	115	R
		ATLANTIC SPRINT	500	2005 → 2008	R	220	96	4	5	6.5	115	R
		SCARABEO	500	2002 → 2006	R	220	96	4	5	6.5	115	R
FMD0172	DERBI	FENIX	50	1995 → 1998	R	180	62.5	3.5	3	10.5	80	R
		SENDA EX	50	1995 → 1997	R	180	62.5	3.5	3	10.5	80	R
		SENDA L	50	1999 →	R	180	62.5	3.5	3	10.5	80	R
		SENDA R	50	1997 → 1998	R	180	62.5	3.5	3	10.5	80	R
		SENDA R	50	1998 → 1999	R	180	62.5	3.5	3	10.5	80	R
		SENDA R RACER	50	2002 →	R	180	62.5	3.5	3	10.5	80	R
		SENDA R XTREAM	50	2000 → 2001	R	180	62.5	3.5	3	10.5	80	R
		SENDA SM RACER	50	2002 →	R	180	62.5	3.5	3	10.5	80	R
		SENDA SM XTREAM	50	2000 → 2001	R	180	62.5	3.5	3	10.5	80	R
		SENDA SR	50	1999 → 2000	R	180	62.5	3.5	3	10.5	80	R
		SENDA SR	50	2001 →	R	180	62.5	3.5	3	10.5	80	R
		SENDA SUPERMOTARD	50	1997 → 1999	R	180	62.5	3.5	3	10.5	80	R
FMD0173	MBK	YP SKYLINER	250	2000 → 2003	R	230	116	5	3	8.5	136	R
	YAMAHA	MAJESTY ABS YP	250	2003 →	R	230	116	5	3	8.5	136	R
		MAJESTY YP	250	2000 → 2003	R	230	116	5	3	8.5	136	R
		YP 250 MAJESTY	250	2001 →	R	230	116	5	3	8.5	136	R
FMD0175	YAMAHA	TZR	50	1996 → 2002	F	282	132.2	4	6	8.6	149.5	R
		TZR	80	1996 → 1998	F	282	132.2	4	6	8.6	149.5	R
		TZR	125	1987 → 1995	F	282	132.2	4	6	8.6	149.5	R
		TZR R	125	1991 → 1995	F	282	132.2	4	6	8.6	149.5	R
		TZR RED ROCKET	125	1993 → 1995	F	282	132.2	4	6	8.6	149.5	R
		XT E	600	1995 → 1996	F	282	132.2	4	6	8.6	149.5	R
		XTZ TENERE	660	1991 → 1991	F	282	132.2	4	6	8.6	149.5	R
		XV VIRAGO	750	1994 → 2000	F	282	132.2	4	6	8.6	149.5	R
FMD0176	TRIUMPH	(TRIDENT) SPRINT 749 Up to 9082	749	1993 →	R	256	115.1	5.5	6	10	136	R
		TRIDENT	749	1991 → 1998	R	256	115.1	5.5	6	10	136	R
		DAYTONA	750	1991 → 1992	R	256	115.1	5.5	6	10	136	R
		SPEED TRIPLE (carb)	885	1994 → 1996	R	256	115.1	5.5	6	10	136	R
		DAYTONA 885	900	1993 → 1996	R	256	115.1	5.5	6	10	136	R
		DAYTONA 900 SUPER 3 750	900	1994 → 1996	R	256	115.1	5.5	6	10	136	R
		SPRINT 885	900	1994 → 1997	R	256	115.1	5.5	6	10	136	R
		SPRINT EXECUTIVE 885	900	1998 → 1998	R	256	115.1	5.5	6	10	136	R
		SPRINT SPORT 885	900	1997 → 1998	R	256	115.1	5.5	6	10	136	R
		TRIDENT 885	900	1991 → 1998	R	256	115.1	5.5	6	10	136	R
		TROPHY 885	900	1991 → 2001	R	256	115.1	5.5	6	10	136	R
		DAYTONA 998	1000	1991 → 1992	R	256	115.1	5.5	6	10	136	R
		DAYTONA 1180	1200	1993 → 1997	R	256	115.1	5.5	6	10	136	R
		TROPHY 1180	1200	1991 → 2003	R	256	115.1	5.5	6	10	136	R
FMD0178	ITALJET	JUPITER	250	2000 →	R	245	115	4	6	8.4	133	R
	MBK	YP SKYLINER	250	2000 → 2003	F	245	115	4	6	8.4	133	R
	MOTOR UNION	MAXI	125	1999 →	F	245	115	4	6	8.4	133	R
		MAXI	150	1999 →	F	245	115	4	6	8.4	133	R
		MAXI	400	1999 →	F	245	115	4	6	8.4	133	R
	YAMAHA	TEOS XN	150	2001 → 2002	F	245	115	4	6	8.4	133	R
		MAJESTY ABS YP	250	2003 →	F	245	115	4	6	8.4	133	R
		MAJESTY DX YP	250	1998 → 1999	F	245	115	4	6	8.4	133	R
		MAJESTY YP	250	1996 → 1998	F	245	115	4	6	8.4	133	R
		MAJESTY YP	250	2000 → 2003	F	245	115	4	6	8.4	133	R
FMD0179	HUSQVARNA	CR	125	1991 → 1996	R	220	112.1	5	6	9.7	130	R
		WR	125	1991 → 1997	R	220	112.1	5	6	9.7	130	R
		WR	250	1991 → 1997	R	220	112.1	5	6	9.7	130	R
		TE	350	1990 → 1995	R	220	112.1	5	6	9.7	130	R
		TE	350	1996 → 2013	R	220	112.1	5	6	9.7	130	R
		TE	410	1995 → 2000	R	220	112.1	5	6	9.7	130	R
		TC	610	1991 → 1997	R	220	112.1	5	6	9.7	130	R
		TE	610	1991 → 1997	R	220	112.1	5	6	9.7	130	R
FMD0180	DUCATI	748	748	2002 →	R	218.5	108.5	5	4	8.5	125	R
		748 BIPOSTO	748	1995 → 2002	R	218.5	108.5	5	4	8.5	125	R
		748 BIPOSTO	748	2003 →	R	218.5	108.5	5	4	8.5	125	R
		748 BIPOSTO - SP	748	1995 → 2001	R	218.5	108.5	5	4	8.5	125	R
		748 R	748	2000 → 2001	R	218.5	108.5	5	4	8.5	125	R
		748 R	748	2001 → 2002	R	218.5	108.5	5	4	8.5	125	R
		748 S	748	1999 → 2002	R	218.5	108.5	5	4	8.5	125	R
		748 SP	748	1995 → 1997	R	218.5	108.5	5	4	8.5	125	R
		748 SPS	748	1998 → 1999	R	218.5	108.5	5	4	8.5	125	R
		MH	900	2001 → 2002	R	218.5	108.5	5	4	8.5	125	R
		916 BIPOSTO	916	1994 → 1998	R	218.5	108.5	5	4	8.5	125	R
		916 BIPOSTO SENNA	916	1994 → 1998	R	218.5	108.5	5	4	8.5	125	R
		916 SP	916	1994 → 1996	R	218.5	108.5	5	4	8.5	125	R
		916 SPS	916	1997 → 1998	R	218.5	108.5	5	4	8.5	125	R



CC

Front
Rear

Outside Dia (mm)

Inside Dia (mm)

Thickness (mm)

No. of Fixing hole

Fixing hole dia. (mm)

Fix. hole centreline diam (mm)

DISC TYPE

...FMD0180

FMD0182

FMD0184

	916 RACING	926	1994 → 1997	R	218.5	108.5	5	4	8.5	125	R	
	996 BIPOSTO	996	1999 → 2001	R	218.5	108.5	5	4	8.5	125	R	
	996 R	996	2001 →	R	218.5	108.5	5	4	8.5	125	R	
	996 S	996	2001 →	R	218.5	108.5	5	4	8.5	125	R	
	996 SPS	996	1999 → 2000	R	218.5	108.5	5	4	8.5	125	R	
	998 BIPOSTO	998	2002 → 2003	R	218.5	108.5	5	4	8.5	125	R	
	998 R	998	2002 → 2003	R	218.5	108.5	5	4	8.5	125	R	
	998 S (four pads)	998	2002 → 2003	R	218.5	108.5	5	4	8.5	125	R	
	998 S (two pads)	998	2002 → 2003	R	218.5	108.5	5	4	8.5	125	R	
TM	GS- MC	125	1990 → 1992	R	220	115	4	6	6.5	133	R	
VOR	MX- EN	503	2000 → 2002	F	220	115	4	6	6.5	133	R	
YAMAHA	DT R	125	1988 → 2003	R	220	115	4	6	6.5	133	R	
	TDR (Italian model)	125	1989 → 1999	R	220	115	4	6	6.5	133	R	
	WR	125	1989 → 1990	R	220	115	4	6	6.5	133	R	
	WR	125	1991 → 1997	R	220	115	4	6	6.5	133	R	
	YZ	125	1985 → 1989	R	220	115	4	6	6.5	133	R	
	YZ	125	1990 → 1997	R	220	115	4	6	6.5	133	R	
	WR R	200	1992 → 1995	R	220	115	4	6	6.5	133	R	
	TT R	250	1993 →	R	220	115	4	6	6.5	133	R	
	WR	250	1990 → 1991	R	220	115	4	6	6.5	133	R	
	WR	250	1992 → 1997	R	220	115	4	6	6.5	133	R	
	YZ	250	1985 → 1990	R	220	115	4	6	6.5	133	R	
	YZ	250	1990 → 1997	R	220	115	4	6	6.5	133	R	
	YZ	360	1989 →	R	220	115	4	6	6.5	133	R	
	YZ RALLY	360	1990 → 1993	R	220	115	4	6	6.5	133	R	
	WR F	400	1998 → 2000	R	220	115	4	6	6.5	133	R	
	WR Z	500	1992 → 1993	R	220	115	4	6	6.5	133	R	
	TT	600	1993 → 1995	R	220	115	4	6	6.5	133	R	
	TT	600	1996 → 2001	R	220	115	4	6	6.5	133	R	
	TT R	600	1998 → 2002	R	220	115	4	6	6.5	133	R	
	TT R	600	2003 → 2007	R	220	115	4	6	6.5	133	R	
CCM	DS	644	2002 → 2006	R	220	110	4	6	6.5	125	R	
	R30	644	2002 → 2006	R	220	110	4	6	6.5	125	R	
GAS GAS	EC	125	1996 → 2011	R	220	110	4	6	6.5	125	R	
	EC RACING	125	2013 → 2014	R	220	110	4	6	6.5	125	R	
	EC- MC	125	1996 →	R	220	110	4	6	6.5	125	R	
	MC	125	1996 → 2009	R	220	110	4	6	6.5	125	R	
	EC	200	2000 → 2014	R	220	110	4	6	6.5	125	R	
	HOBBY	200	2007 →	R	220	110	4	6	6.5	125	R	
	EC	250	1996 → 2010	R	220	110	4	6	6.5	125	R	
	EC 2T	250	2011 → 2014	R	220	110	4	6	6.5	125	R	
	EC 4T	250	2011 → 2014	R	220	110	4	6	6.5	125	R	
	EC F RACING	250	2013 → 2014	R	220	110	4	6	6.5	125	R	
	EC RACING	250	2012 → 2013	R	220	110	4	6	6.5	125	R	
	EC- MC	250	1996 →	R	220	110	4	6	6.5	125	R	
	MC	250	1996 → 2009	R	220	110	4	6	6.5	125	R	
	EC	300	1996 → 2012	R	220	110	4	6	6.5	125	R	
	EC 2T	300	2013 → 2014	R	220	110	4	6	6.5	125	R	
	EC F RACING	300	2013 → 2014	R	220	110	4	6	6.5	125	R	
	EC RACING	300	2012 → 2013	R	220	110	4	6	6.5	125	R	
	EC- MC	300	1996 →	R	220	110	4	6	6.5	125	R	
	MC	300	1996 → 2009	R	220	110	4	6	6.5	125	R	
	EC	400	2002 → 2002	R	220	110	4	6	6.5	125	R	
	EC	400	2006 → 2007	R	220	110	4	6	6.5	125	R	
	FSE	400	2002 →	R	220	110	4	6	6.5	125	R	
	MC	400	2002 → 2002	R	220	110	4	6	6.5	125	R	
	MC	400	2006 → 2007	R	220	110	4	6	6.5	125	R	
	PAMPERA	400	2006 → 2007	R	220	110	4	6	6.5	125	R	
	EC	450	2003 → 2007	R	220	110	4	6	6.5	125	R	
	EC F	450	2013 → 2014	R	220	110	4	6	6.5	125	R	
	FSE	450	2003 → 2006	R	220	110	4	6	6.5	125	R	
	FSR	450	2007 →	R	220	110	4	6	6.5	125	R	
	MC	450	2003 → 2003	R	220	110	4	6	6.5	125	R	
	MC	450	2007 → 2007	R	220	110	4	6	6.5	125	R	
HUSABERG	TE	125	2012 → 2014	R	220	110	4	6	6.5	125	R	
	FE	250	2013 → 2014	R	220	110	4	6	6.5	125	R	
	TE	250	2011 → 2014	R	220	110	4	6	6.5	125	R	
	TE	300	2011 → 2014	R	220	110	4	6	6.5	125	R	
	FE	350	2013 → 2014	R	220	110	4	6	6.5	125	R	
	FE	390	2010 → 2011	R	220	110	4	6	6.5	125	R	
	FE	390	2011 → 2012	R	220	110	4	6	6.5	125	R	
	FE	400	2000 → 2003	R	220	110	4	6	6.5	125	R	
	FE E	400	2001 → 2003	R	220	110	4	6	6.5	125	R	
	FS C	400	2001 → 2003	R	220	110	4	6	6.5	125	R	
	FS E	400	2001 → 2003	R	220	110	4	6	6.5	125	R	
	FE	450	2009 → 2012	R	220	110	4	6	6.5	125	R	
	FE	450	2013 → 2014	R	220	110	4	6	6.5	125	R	
	FS C	450	2003 → 2008	R	220	110	4	6	6.5	125	R	



CC

Front
Rear

Outside Dia (mm)

Inside Dia (mm)

Thickness (mm)

No. of Fixing hole

Fixing hole dia. (mm)

Fix. hole centralise diam (mm)

DISC TYPE

...FMD0184

HUSQVARNA

KTM

FS E	450	2003	→	2008	R	220	110	4	6	6.5	125	R
FS E- C	450	2003	→	2004	R	220	110	4	6	6.5	125	R
FS E- C	450	2005	→	2006	R	220	110	4	6	6.5	125	R
FX	450	2010	→		R	220	110	4	6	6.5	125	R
FC	501	1999	→	2003	R	220	110	4	6	6.5	125	R
FE E	501	1999	→	2004	R	220	110	4	6	6.5	125	R
FE S	501	1999	→	2004	R	220	110	4	6	6.5	125	R
FE	510	2013	→	2014	R	220	110	4	6	6.5	125	R
FC	550	2001	→	2005	R	220	110	4	6	6.5	125	R
FE E	550	2004	→	2008	R	220	110	4	6	6.5	125	R
FE	570	2010	→	2012	R	220	110	4	6	6.5	125	R
FS	570	2010	→		R	220	110	4	6	6.5	125	R
FC	600	1999	→	2003	R	220	110	4	6	6.5	125	R
FE E	600	1999	→	2002	R	220	110	4	6	6.5	125	R
FE S	600	1999	→	2003	R	220	110	4	6	6.5	125	R
FE E	650	2001	→	2008	R	220	110	4	6	6.5	125	R
FE E	650	2006	→	2008	R	220	110	4	6	6.5	125	R
FS C	650	2001	→	2008	R	220	110	4	6	6.5	125	R
FS E	650	2001	→	2008	R	220	110	4	6	6.5	125	R
FS E- C	650	2001	→	2004	R	220	110	4	6	6.5	125	R
FS E- C	650	2005	→	2006	R	220	110	4	6	6.5	125	R
FX E	650	2001	→	2005	R	220	110	4	6	6.5	125	R
TC	125	2014	→		R	220	110	4	6	6.5	125	R
TE	125	2014	→	2015	R	220	110	4	6	6.5	125	R
FC	250	2014	→	2015	R	220	110	4	6	6.5	125	R
FE	250	2014	→	2015	R	220	110	4	6	6.5	125	R
TC	250	2014	→		R	220	110	4	6	6.5	125	R
TE	250	2014	→	2015	R	220	110	4	6	6.5	125	R
TE	300	2014	→	2015	R	220	110	4	6	6.5	125	R
FC	350	2014	→	2015	R	220	110	4	6	6.5	125	R
FE	350	2014	→	2015	R	220	110	4	6	6.5	125	R
FC	450	2014	→	2015	R	220	110	4	6	6.5	125	R
FE	450	2014	→	2015	R	220	110	4	6	6.5	125	R
FE	501	2014	→	2015	R	220	110	4	6	6.5	125	R
FE	510	2014	→		R	220	110	4	6	6.5	125	R
ECX-SX	125	1998	→	1999	R	220	110	4	6	6.5	125	R
EXC	125	1998	→	2014	R	220	110	4	6	6.5	125	R
EXC	125	2015	→		R	220	110	4	6	6.5	125	R
EXC SIX DAYS	125	2009	→	2014	R	220	110	4	6	6.5	125	R
EXC SIX DAYS	125	2015	→		R	220	110	4	6	6.5	125	R
EXC-SX	125	2000	→	2007	R	220	110	4	6	6.5	125	R
GS	125	1988	→	1992	R	220	110	4	6	6.5	125	R
GS	125	1993	→	1997	R	220	110	4	6	6.5	125	R
MX	125	1988	→	1991	R	220	110	4	6	6.5	125	R
MX	125	1992	→	2000	R	220	110	4	6	6.5	125	R
STING	125	1998	→		R	220	110	4	6	6.5	125	R
SX	125	1993	→	2014	R	220	110	4	6	6.5	125	R
SX	125	2015	→		R	220	110	4	6	6.5	125	R
SXS	125	2000	→	2010	R	220	110	4	6	6.5	125	R
SX	144	2007	→	2010	R	220	110	4	6	6.5	125	R
SX	150	2008	→	2014	R	220	110	4	6	6.5	125	R
SX	150	2015	→		R	220	110	4	6	6.5	125	R
EXC	200	1998	→	2014	R	220	110	4	6	6.5	125	R
EXC	200	2008	→	2014	R	220	110	4	6	6.5	125	R
EXC	200	2015	→		R	220	110	4	6	6.5	125	R
MXC	200	1998	→	2003	R	220	110	4	6	6.5	125	R
SX	200	2003	→	2007	R	220	110	4	6	6.5	125	R
SX	200	2008	→		R	220	110	4	6	6.5	125	R
XC W	200	2006	→	2009	R	220	110	4	6	6.5	125	R
EXC	250	1998	→	2014	R	220	110	4	6	6.5	125	R
EXC	250	2015	→		R	220	110	4	6	6.5	125	R
EXC F	250	2003	→	2006	R	220	110	4	6	6.5	125	R
EXC F	250	2007	→	2014	R	220	110	4	6	6.5	125	R
EXC F	250	2015	→		R	220	110	4	6	6.5	125	R
EXC F SIX DAYS	250	2009	→	2014	R	220	110	4	6	6.5	125	R
EXC F SIX DAYS	250	2015	→		R	220	110	4	6	6.5	125	R
EXC G	250	2004	→	2009	R	220	110	4	6	6.5	125	R
EXC SIX DAYS	250	2009	→	2014	R	220	110	4	6	6.5	125	R
EXC SIX DAYS	250	2015	→		R	220	110	4	6	6.5	125	R
GS	250	1988	→	1992	R	220	110	4	6	6.5	125	R
GS	250	1993	→	1997	R	220	110	4	6	6.5	125	R
MX	250	1988	→	1991	R	220	110	4	6	6.5	125	R
MX	250	1992	→	2013	R	220	110	4	6	6.5	125	R
MXC	250	1998	→	2003	R	220	110	4	6	6.5	125	R
SX	250	1993	→	2014	R	220	110	4	6	6.5	125	R
SX	250	2015	→		R	220	110	4	6	6.5	125	R
SX F	250	2003	→	2004	R	220	110	4	6	6.5	125	R
SX F	250	2005	→	2014	R	220	110	4	6	6.5	125	R

12028



CC

Front
Rear

Outside Dia (mm)

Inside Dia (mm)

Thickness (mm)

No. of Fixing hole

Fixing hole dia. (mm)

Fix. hole centreline diam (mm)

DISC TYPE

...FMD0184

SX F	250	2015	→		R	220	110	4	6	6.5	125	R
SXS	250	2003	→	2010	R	220	110	4	6	6.5	125	R
SXS F	250	2006	→	2009	R	220	110	4	6	6.5	125	R
XC F	250	2007	→	2013	R	220	110	4	6	6.5	125	R
XC W	250	2006	→	2010	R	220	110	4	6	6.5	125	R
XC W	250	2011	→	2012	R	220	110	4	6	6.5	125	R
EXC	300	1997	→	2013	R	220	110	4	6	6.5	125	R
EXC	300	2014	→		R	220	110	4	6	6.5	125	R
EXC SIX DAYS (2T)	300	2009	→	2013	R	220	110	4	6	6.5	125	R
EXC SIX DAYS (2T)	300	2014	→	2015	R	220	110	4	6	6.5	125	R
EXC-SX	300	1997	→	2002	R	220	110	4	6	6.5	125	R
GS	300	1991	→	1996	R	220	110	4	6	6.5	125	R
MX	300	1991	→	1992	R	220	110	4	6	6.5	125	R
MXC	300	1998	→	2005	R	220	110	4	6	6.5	125	R
SX	300	1993	→	2000	R	220	110	4	6	6.5	125	R
SX	300	2001	→	2003	R	220	110	4	6	6.5	125	R
XC (2T)	300	2006	→	2010	R	220	110	4	6	6.5	125	R
XC (2T)	300	2011	→	2012	R	220	110	4	6	6.5	125	R
XC W	300	2006	→	2012	R	220	110	4	6	6.5	125	R
EXC F	350	2010	→	2011	R	220	110	4	6	6.5	125	R
EXC F	350	2012	→	2014	R	220	110	4	6	6.5	125	R
EXC F	350	2015	→		R	220	110	4	6	6.5	125	R
EXC F SIX DAYS	350	2011	→	2012	R	220	110	4	6	6.5	125	R
EXC F SIX DAYS	350	2012	→	2013	R	220	110	4	6	6.5	125	R
EXC F SIX DAYS	350	2014	→		R	220	110	4	6	6.5	125	R
GS	350	1993	→	2000	R	220	110	4	6	6.5	125	R
SX-F	350	2011	→	2014	R	220	110	4	6	6.5	125	R
SX-F	350	2015	→		R	220	110	4	6	6.5	125	R
EXC	380	1998	→	2002	R	220	110	4	6	6.5	125	R
MXC	380	1998	→	2001	R	220	110	4	6	6.5	125	R
SX	380	1998	→	2002	R	220	110	4	6	6.5	125	R
EGS	400	1996	→	1999	R	220	110	4	6	6.5	125	R
EXC	400	1994	→	2005	R	220	110	4	6	6.5	125	R
EXC	400	2006	→	2011	R	220	110	4	6	6.5	125	R
EXC G	400	2004	→	2006	R	220	110	4	6	6.5	125	R
SX	400	2000	→	2002	R	220	110	4	6	6.5	125	R
XC W	400	2007	→	2009	R	220	110	4	6	6.5	125	R
EXC	450	2003	→	2007	R	220	110	4	6	6.5	125	R
EXC	450	2008	→	2014	R	220	110	4	6	6.5	125	R
EXC	450	2015	→		R	220	110	4	6	6.5	125	R
EXC R	450	2008	→	2009	R	220	110	4	6	6.5	125	R
EXC SIX DAYS	450	2009	→	2015	R	220	110	4	6	6.5	125	R
MXC	450	2003	→	2006	R	220	110	4	6	6.5	125	R
SMR	450	2004	→	2005	R	220	110	4	6	6.5	125	R
SMR	450	2005	→	2013	R	220	110	4	6	6.5	125	R
SMR	450	2014	→		R	220	110	4	6	6.5	125	R
SX F	450	2015	→		R	220	110	4	6	6.5	125	R
SX-F	450	2003	→	2014	R	220	110	4	6	6.5	125	R
SXS	450	2003	→	2010	R	220	110	4	6	6.5	125	R
SXS F	450	2003	→	2010	R	220	110	4	6	6.5	125	R
XC	450	2007	→	2009	R	220	110	4	6	6.5	125	R
XC F	450	2007	→	2009	R	220	110	4	6	6.5	125	R
XC G	450	2006	→		R	220	110	4	6	6.5	125	R
XC W	450	2007	→	2008	R	220	110	4	6	6.5	125	R
XC W	450	2008	→	2009	R	220	110	4	6	6.5	125	R
EXC	500	2011	→	2012	R	220	110	4	6	6.5	125	R
EXC	500	2012	→	2013	R	220	110	4	6	6.5	125	R
EXC	500	2013	→	2014	R	220	110	4	6	6.5	125	R
EXC	500	2015	→		R	220	110	4	6	6.5	125	R
EXC SIX DAYS	500	2011	→	2015	R	220	110	4	6	6.5	125	R
MX	500	1989	→	1991	R	220	110	4	6	6.5	125	R
MX	500	1992	→	1992	R	220	110	4	6	6.5	125	R
SX	500	1993	→	1995	R	220	110	4	6	6.5	125	R
SX F	505	2007	→	2009	R	220	110	4	6	6.5	125	R
XC F	505	2007	→	2009	R	220	110	4	6	6.5	125	R
EXC	520	2000	→	2002	R	220	110	4	6	6.5	125	R
MXC	520	2001	→	2002	R	220	110	4	6	6.5	125	R
SX	520	2000	→	2002	R	220	110	4	6	6.5	125	R
EXC	525	2003	→	2007	R	220	110	4	6	6.5	125	R
EXC	525	2007	→	2008	R	220	110	4	6	6.5	125	R
MXC	525	2003	→	2005	R	220	110	4	6	6.5	125	R
SMR	525	2004	→	2005	R	220	110	4	6	6.5	125	R
SX	525	2003	→	2006	R	220	110	4	6	6.5	125	R
XC	525	2006	→	2007	R	220	110	4	6	6.5	125	R
XC	525	2007	→	2008	R	220	110	4	6	6.5	125	R
XC DESERT RACING	525	2006	→	2007	R	220	110	4	6	6.5	125	R
XC G	525	2006	→	2008	R	220	110	4	6	6.5	125	R
XC W	525	2006	→	2008	R	220	110	4	6	6.5	125	R



Front
Rear

Outside Dia (mm)

Inside Dia (mm)

Thickness (mm)

No. of Fixing hole

Fixing hole dia. (mm)

Fix. hole centreline diam (mm)

DISC TYPE

Part No.	Model	Year	Front/Rear	Outside Dia (mm)	Inside Dia (mm)	Thickness (mm)	No. of Fixing hole	Fixing hole dia. (mm)	Fix. hole centreline diam (mm)	DISC TYPE				
...FMD0184	EXC	2010 → 2011	R	220	110	4	6	6.5	125	R				
	EXC R	2008 → 2009	R	220	110	4	6	6.5	125	R				
	EXC SIX DAYS	2009 →	R	220	110	4	6	6.5	125	R				
	SXC	1999 → 2000	R	220	110	4	6	6.5	125	R				
	SXS	2001 → 2006	R	220	110	4	6	6.5	125	R				
	SMR	2006 → 2008	R	220	110	4	6	6.5	125	R				
	GS	1993 → 2000	R	220	110	4	6	6.5	125	R				
	LC4	1991 → 1992	R	220	110	4	6	6.5	125	R				
	MX	1990 → 1992	R	220	110	4	6	6.5	125	R				
	DUKE	1995 → 1998	R	220	110	4	6	6.5	125	R				
	EGS-LC4	1996 → 2002	R	220	110	4	6	6.5	125	R				
	LC4 ADVENTURE	1997 → 1998	R	220	110	4	6	6.5	125	R				
	LC4 SC SUPERCOMP	1998 → 2001	R	220	110	4	6	6.5	125	R				
	LC4 SC SUPERCOMP	2002 → 2004	R	220	110	4	6	6.5	125	R				
	LC4 SUPERMOTO	1999 → 2001	R	220	110	4	6	6.5	125	R				
	LC4 SC SUPERCOMP	2002 →	R	220	110	4	6	6.5	125	R				
	LC4 SUPERMOTO	2002 → 2004	R	220	110	4	6	6.5	125	R				
	SMC	2005 → 2007	R	220	110	4	6	6.5	125	R				
	SMC	2008 →	R	220	110	4	6	6.5	125	R				
	SXC	2003 → 2007	R	220	110	4	6	6.5	125	R				
	SXC	2008 →	R	220	110	4	6	6.5	125	R				
	DUKE II	1999 → 2002	R	220	110	4	6	6.5	125	R				
	LC4 ADVENTURE	1998 → 2000	R	220	110	4	6	6.5	125	R				
	LC4 ADVENTURE	2001 → 2003	R	220	110	4	6	6.5	125	R				
	LC4 ADVENTURE	2004 → 2007	R	220	110	4	6	6.5	125	R				
	LC4 ENDURO	1999 → 2007	R	220	110	4	6	6.5	125	R				
	LC4 SUPERMOTO	1998 → 1999	R	220	110	4	6	6.5	125	R				
	LC4 SUPERMOTO	2000 → 2007	R	220	110	4	6	6.5	125	R				
	SMC	2003 → 2007	R	220	110	4	6	6.5	125	R				
FMD0185	HONDA	CR R		125	198.5	→ 1988	R	220	122	5	6	10.5	143.5	R
FMD0186	SUZUKI	CR R		500	198.7	→ 1989	R	220	122	5	6	10.5	143.5	R
	RM	125	1988	→ 2000	R	220	117.9	4	6	6.5	133.8	R		
	RM	250	1989	→ 2000	R	220	117.9	4	6	6.5	133.8	R		
	RMX	250	1989	→ 1999	R	220	117.9	4	6	6.5	133.8	R		
	DR Z E	400	2000	→ 2008	R	220	117.9	4	6	6.5	133.8	R		
	DR Z S	400	2000	→ 2009	R	220	117.9	4	6	6.5	133.8	R		
FMD0187	SUZUKI	DR DJEBEL		600	1989	→	R	250	134	5	6	10.5	156	R
	DR DJEBEL	650	1990	→ 1991	R	250	134	5	6	10.5	156	R		
	DR DJEBEL	650	1991	→ 1995	R	250	134	5	6	10.5	156	R		
	DR R	650	1990	→ 1993	R	250	134	5	6	10.5	156	R		
	DR RE	650	1994	→ 1995	R	250	134	5	6	10.5	156	R		
	DR RS	650	1990	→ 1991	R	250	134	5	6	10.5	156	R		
	DR RSE	650	1991	→ 1993	R	250	134	5	6	10.5	156	R		
	DR BIG	750	1988	→ 1989	R	250	134	5	6	10.5	156	R		
	DR BIG S	800	1989	→ 1990	R	250	134	5	6	10.5	156	R		
	DR BIG S	800	1991	→ 1996	R	250	134	5	6	10.5	156	R		
FMD0190	HUSQVARNA	CR		125	1996	→ 2003	R	220	112.2	4	4	9.5	130	R
	WR	125	1998	→ 2003	R	220	112.2	4	4	9.5	130	R		
	WRE	125	1995	→ 2004	R	220	112.2	4	4	9.5	130	R		
	WRE DUAL	125	1995	→ 2003	R	220	112.2	4	4	9.5	130	R		
	CR	250	1996	→ 2003	R	220	112.2	4	4	9.5	130	R		
	TE	250	2002	→ 2003	R	220	112.2	4	4	9.5	130	R		
	WR	250	1998	→ 2003	R	220	112.2	4	4	9.5	130	R		
	WR	360	2000	→ 2001	R	220	112.2	4	4	9.5	130	R		
	TE	410	2000	→ 2001	R	220	112.2	4	4	9.5	130	R		
	TE E	610	2000	→ 2003	R	220	112.2	4	4	9.5	130	R		
FMD0195	KAWASAKI	KX		125	2000	→ 2002	R	220	100.2	4	6	6.6	116.2	R
	KX	250	2000	→ 2002	R	220	100.2	4	6	6.6	116.2	R		
	KX	500	2000	→ 2004	R	220	100.2	4	6	6.6	116.2	R		
FMD0197	HONDA	CR R - E		125	2002	→ 2007	R	240	121.5	3.5	4	6.5	140	R
	CR R - E	250	2002	→ 2010	R	240	121.5	3.5	4	6.5	140	R		
	CRE IE	250	2007	→ 2008	R	240	121.5	3.5	4	6.5	140	R		
	CRE- F - X	250	2007	→	R	240	121.5	3.5	4	6.5	140	R		
	CRF R - E	250	2004	→ 2014	R	240	121.5	3.5	4	6.5	140	R		
	CRF R - E	250	2015	→	R	240	121.5	3.5	4	6.5	140	R		
	CRF R EFI	250	2010	→	R	240	121.5	3.5	4	6.5	140	R		
	CRF R - X	250	2004	→ 2007	R	240	121.5	3.5	4	6.5	140	R		
	CRF R - X SUPERMOTARD	250	2004	→ 2007	R	240	121.5	3.5	4	6.5	140	R		
	CRF X	250	2004	→	R	240	121.5	3.5	4	6.5	140	R		
	CRE IE	290	2007	→ 2008	R	240	121.5	3.5	4	6.5	140	R		
	CRF X	300	2008	→ 2012	R	240	121.5	3.5	4	6.5	140	R		
	CRF EFI	450	2009	→ 2012	R	240	121.5	3.5	4	6.5	140	R		
	CRF R - E	450	2002	→ 2014	R	240	121.5	3.5	4	6.5	140	R		
	CRF R - E	450	2015	→	R	240	121.5	3.5	4	6.5	140	R		
	CRF R EFI	450	2013	→	R	240	121.5	3.5	4	6.5	140	R		
	CRF SUPERMOTARD	450	2002	→ 2003	R	240	121.5	3.5	4	6.5	140	R		
	CRF X	450	2004	→ 2007	R	240	121.5	3.5	4	6.5	140	R		
	CRM X SUPERMOTARD	450	2007	→	R	240	121.5	3.5	4	6.5	140	R		



CC



Front
Rear

						Front	Outside Dia (mm)	Inside Dia (mm)	Thickness (mm)	No. of Fixing hole	Fixing hole dia. (mm)	Fix. hole centreline diam (mm)	DISC TYPE	
...FMD0197		CR R	500	2002	→	R	240	121.5	3.5	4	6.5	140	R	
		CRM X SUPERMOTARD	500	2007	→	R	240	121.5	3.5	4	6.5	140	R	
FMD0199	KAWASAKI	ZX7R NINJA	750	1989	→	1995	R	230	82	4	5	10.5	104	R
		ZX7R NINJA	750	1996	→	2003	R	230	82	4	5	10.5	104	R
		ZX7RR NINJA	750	1996	→	2002	R	230	82	4	5	10.5	104	R
		ZXR	750	1989	→	1995	R	230	82	4	5	10.5	104	R
		ZXR L	750	1993	→	1995	R	230	82	4	5	10.5	104	R
		ZXR R	750	1989	→	1992	R	230	82	4	5	10.5	104	R
		ZXR R	750	1993	→	1995	R	230	82	4	5	10.5	104	R
		ZX-9 R NINJA	900	1994	→	1997	R	230	82	4	5	10.5	104	R
		ZX9R NINJA	900	1994	→	1997	R	230	82	4	5	10.5	104	R
		GTR	1000	1986	→	1993	R	230	82	4	5	10.5	104	R
		ZEPHYR	1100	1996	→	1998	R	230	82	4	5	10.5	104	R
		ZR ZEPHYR	1100	1996	→	1997	R	230	82	4	5	10.5	104	R
FMD0203	HONDA	SILVER WING	400	2006	→	2008	R	240	105.4	6	4	10.5	125	R
		SILVER WING	400	2009	→		R	240	105.4	6	4	10.5	125	R
		SW-T	400	2009	→		R	240	105.4	6	4	10.5	125	R
		SW-T ABS	400	2009	→		R	240	105.4	6	4	10.5	125	R
		SILVER WING	600	2001	→	2006	R	240	105.4	6	4	10.5	125	R
		SILVER WING	600	2007	→	2007	R	240	105.4	6	4	10.5	125	R
		SILVER WING ABS	600	2003	→	2007	R	240	105.4	6	4	10.5	125	R
		SILVER WING ABS	600	2008	→		R	240	105.4	6	4	10.5	125	R
		SW-T	600	2011	→		R	240	105.4	6	4	10.5	125	R
FMD0204	HUSQVARNA	WR	250	2004	→	2006	R	220	125.5	4	4	19.7	130	R
		WR	360	2002	→		R	220	125.5	4	4	19.7	130	R
		TC	400	2002	→		R	220	125.5	4	4	19.7	130	R
		TE	410	2002	→	2013	R	220	125.5	4	4	19.7	130	R
		TC	450	2002	→	2003	R	220	125.5	4	4	19.7	130	R
		TC	510	2002	→	2003	R	220	125.5	4	4	19.7	130	R
		TC	570	2001	→	2002	R	220	125.5	4	4	19.7	130	R
		TE	570	2001	→	2002	R	220	125.5	4	4	19.7	130	R
		TE E	610	2004	→	2013	R	220	125.5	4	4	19.7	130	R
FMD0206	BMW	R 850 R	850	1994	→	2003	F	305	118	5	6	9	134	RF
		R 850 RT	850	1995	→	2001	F	305	118	5	6	9	134	RF
		K 100 RS 16V	1000	1989	→	1993	F	305	118	5	6	9	134	RF
		K1	1000	1989	→	1993	F	305	118	5	6	9	134	RF
		K 1100 LT	1100	1992	→	2000	F	305	118	5	6	9	134	RF
		K 1100 RS	1100	1993	→	1996	F	305	118	5	6	9	134	RF
		R 1100 R	1100	1995	→	2001	F	305	118	5	6	9	134	RF
		R 1100 RS	1100	1994	→	2001	F	305	118	5	6	9	134	RF
		R 1100 RT	1100	1994	→	2001	F	305	118	5	6	9	134	RF
		R 1100 RT ABS	1100	1994	→	2001	F	305	118	5	6	9	134	RF
FMD0207	APRILIA	PEGASO FACTORY	650	2007	→	2009	R	240	110	5	6	6.5	124	R
		PEGASO I.E.	650	2001	→	2004	R	240	110	5	6	6.5	124	R
		PEGASO TRAIL	650	2005	→	2008	R	240	110	5	6	6.5	124	R
	BENELLI	BN 302	300	2015	→		R	240	110	5	6	6.5	124	R
		CENTURY RACER	899	2011	→	2015	R	240	110	5	6	6.5	124	R
		TNT	899	2008	→	2015	R	240	110	5	6	6.5	124	R
		TNT S	899	2008	→	2011	R	240	110	5	6	6.5	124	R
		TRE K	899	2011	→		R	240	110	5	6	6.5	124	R
		TNT	1100	2004	→		R	240	110	5	6	6.5	124	R
		CAFE RACER	1130	2006	→	2015	R	240	110	5	6	6.5	124	R
		CENTURY RACER	1130	2011	→	2014	R	240	110	5	6	6.5	124	R
		TITANIUM	1130	2005	→	2007	R	240	110	5	6	6.5	124	R
		TNT	1130	2004	→	2006	R	240	110	5	6	6.5	124	R
		TNT R160	1130	2011	→		R	240	110	5	6	6.5	124	R
		TNT RS	1130	2005	→	2007	R	240	110	5	6	6.5	124	R
		TRE K	1130	2007	→	2015	R	240	110	5	6	6.5	124	R
	BMW	F 650	650	1994	→	2001	R	240	110	5	6	6.5	124	R
		F 650 CS	650	2002	→	2007	R	240	110	5	6	6.5	124	R
		F 650 GS	650	2001	→	2007	R	240	110	5	6	6.5	124	R
		F 650 GS ABS	650	2001	→	2007	R	240	110	5	6	6.5	124	R
		F 650 GS DAKAR	650	1999	→	2007	R	240	110	5	6	6.5	124	R
		F 650 ST	650	1997	→	2001	R	240	110	5	6	6.5	124	R
		G 650 GS	650	2009	→	2014	R	240	110	5	6	6.5	124	R
		G 650 GS SERTAO	650	2012	→	2014	R	240	110	5	6	6.5	124	R
		G 650 X Challenge	650	2007	→		R	240	110	5	6	6.5	124	R
		G 650 X Country	650	2007	→		R	240	110	5	6	6.5	124	R
	HUSQVARNA	TR 650 STRADA	650	2013	→	2014	R	240	110	5	6	6.5	124	R
		TR 650 TERRA	650	2013	→	2014	R	240	110	5	6	6.5	124	R
FMD0208	SUZUKI	DR DJEBEL	650	1991	→	1995	F	250	121.1	5	4	10.3	142	R
		DR R	650	1990	→	1993	F	250	121.1	5	4	10.3	142	R
		DR R	650	1994	→	1995	F	250	121.1	5	4	10.3	142	R
		DR RSE	650	1991	→	1993	F	250	121.1	5	4	10.3	142	R
FMD0210	GILERA	RUNNER DD - SP	50	1997	→	2004	R	175	73	4	5	6.4	86	R
		RUNNER PURE JET	50	2002	→	2006	R	175	73	4	5	6.4	86	R
		RUNNER PURE JET ST	50	2008	→		R	175	73	4	5	6.4	86	R
		RUNNER SP	50	1998	→	2006	R	175	73	4	5	6.4	86	R



Front
Rear

Outside Dia (mm)

Inside Dia (mm)

Thickness (mm)

No. of Fixing hole

Fixing hole dia. (mm)

Fix. hole centreline diam (mm)

DISC TYPE

...														
...FMD0210	PIAGGIO	RUNNER SP RACE	50	2006 →	R	175	73	4	5	6.4	86	R		
		RUNNER SP SC	50	2006 → 2007	R	175	73	4	5	6.4	86	R		
		RUNNER SP ST	50	2008 →	R	175	73	4	5	6.4	86	R		
		STALKER (post freno a disco)	50	1997 → 2004	R	175	73	4	5	6.4	86	R		
		NRG EXTREME	50	1999 → 2000	R	175	73	4	5	6.4	86	R		
		NRG MC3	50	2001 → 2004	R	175	73	4	5	6.4	86	R		
		ZIP 4T (grimeca/heng tong caliper)	50	2000 → 2010	F	175	73	4	5	6.4	86	R		
		ZIP CAT DT 2T	50	2001 → 2005	F	175	73	4	5	6.4	86	R		
FMD0211	HARLEY D.	XLH 883 SPORTSTER	883	1970 → 1984	R	292	50.5	5	5	10.5	82.5	RPF/RP/RFR		
		XLH 883 SPORTSTER	883	1985 → 1999	R	292	50.5	5	5	10.5	82.5	RPF/RP/RFR		
		XL 1000	1000	1978 →	R	292	50.5	5	5	10.5	82.5	RPF/RP/RFR		
		XLS 1000 ROADSTER	1000	1979 → 1984	R	292	50.5	5	5	10.5	82.5	RPF/RP/RFR		
		XLH 1200 SPORTSTER	1200	1987 → 1999	R	292	50.5	5	5	10.5	82.5	RPF/RP/RFR		
		XLH 1200 SPORTSTER SPORT	1200	1996 → 1999	R	292	50.5	5	5	10.5	82.5	RPF/RP/RFR		
		FLH 1340 80	1340	1981 → 1984	R	292	50.5	5	5	10.5	82.5	RPF/RP/RFR		
		FLH 1340 81	1340	1987 → 1999	R	292	50.5	5	5	10.5	82.5	RPF/RP/RFR		
		FLH 1340 82	1340	1987 → 1999	R	292	50.5	5	5	10.5	82.5	RPF/RP/RFR		
		FLH 1340 83	1340	1989 → 1999	R	292	50.5	5	5	10.5	82.5	RPF/RP/RFR		
		FLH 1340 ELECTRA GLIDE	1340	1982 → 1983	R	292	50.5	5	5	10.5	82.5	RPF/RP/RFR		
		FLSTC 1340 HERITAGE SOFTAIL CLASSIC	1340	1989 → 1999	R	292	50.5	5	5	10.5	82.5	RPF/RP/RFR		
		FLSTC FAT BOY	1340	1989 → 1999	R	292	50.5	5	5	10.5	82.5	RPF/RP/RFR		
		FLSTC HERITAGE SOFTAIL CLASSIC	1340	1989 → 1999	R	292	50.5	5	5	10.5	82.5	RPF/RP/RFR		
		FLSTF FAT BOY	1340	1989 → 1999	R	292	50.5	5	5	10.5	82.5	RPF/RP/RFR		
		FXDWG DYNA WIDE GLIDE	1340	1993 → 1998	R	292	50.5	5	5	10.5	82.5	RPF/RP/RFR		
		FXLR 1340 LOW RIDER CUSTOM	1340	1987 → 1999	R	292	50.5	5	5	10.5	82.5	RPF/RP/RFR		
		FXR 1340 SUPER GLIDE	1340	1982 → 1999	R	292	50.5	5	5	10.5	82.5	RPF/RP/RFR		
		FXRS 1340 LOW RIDER SPORT	1340	1987 → 1999	R	292	50.5	5	5	10.5	82.5	RPF/RP/RFR		
		FXRT 1340 SPORT GLIDE	1340	1987 → 1999	R	292	50.5	5	5	10.5	82.5	RPF/RP/RFR		
		FXSTC SOFTAIL CUSTOM	1340	1989 → 1993	R	292	50.5	5	5	10.5	82.5	RPF/RP/RFR		
		FXSTC SOFTAIL CUSTOM	1340	1995 → 1999	R	292	50.5	5	5	10.5	82.5	RPF/RP/RFR		
		FXSTS 1340 SPRINGER SOFTAIL	1340	1989 → 1999	R	292	50.5	5	5	10.5	82.5	RPF/RP/RFR		
		FLHR/I ROAD KING	1450	1998 → 1999	R	292	50.5	5	5	10.5	82.5	RPF/RP/RFR		
		FLHT/I ELECTRA GLIDE STANDARD	1450	1998 → 1999	R	292	50.5	5	5	10.5	82.5	RPF/RP/RFR		
		FLTR/I ROAD GLIDE	1450	1998 → 1999	R	292	50.5	5	5	10.5	82.5	RPF/RP/RFR		
		FXDS DYNA SUPER GLIDE SPORT	1450	1998 → 1999	R	292	50.5	5	5	10.5	82.5	RPF/RP/RFR		
		FXDWG DYNA WIDE GLIDE	1450	1993 → 1999	R	292	50.5	5	5	10.5	82.5	RPF/RP/RFR		
		FXRS SPORT GLIDE	1450	1984 → 1986	R	292	50.5	5	5	10.5	82.5	RPF/RP/RFR		
		FMD0212	HONDA	CR R	125	1989 → 1994	R	220	121.1	5	4	10.5	140	R
				CR R - E	125	1995 → 2001	R	220	121.1	5	4	10.5	140	R
				AX 1	250	1989 → 1994	R	220	121.1	5	4	10.5	140	R
				CR R	250	1989 → 1994	R	220	121.1	5	4	10.5	140	R
CR R - E	250			1995 → 1996	R	220	121.1	5	4	10.5	140	R		
CR R	500			1990 → 1994	R	220	121.1	5	4	10.5	140	R		
CR R	500			1995 → 2001	R	220	121.1	5	4	10.5	140	R		
FMD0214	HONDA	CR R	80	1997 → 2002	R	190	80.2	3	4	6.3	94	R		
		CR	85	2003 → 2007	R	190	80.2	3	4	6.3	94	R		
FMD0216	HONDA	CRF R	150	2007 → 2015	R	190	80.2	3	4	6.3	94	R		
FMD0217	HONDA	XR R	650	2000 → 2007	R	240	105.2	4	4	6.3	125	R		
		CBR R HURRICANE	400	1986 →	R	220	88	4	3	10.5	110	R		
FMD0218	KAWASAKI	NSR	400	1985 → 1988	R	220	88	4	3	10.5	110	R		
		VFR R	400	1985 → 1986	R	220	88	4	3	10.5	110	R		
		CBR F	600	1987 → 1990	R	220	88	4	3	10.5	110	R		
		ELIMINATOR	400	1988 → 1989	F	280	130	5	6	10.5	150	R		
FMD0220	HONDA	ER5	500	1996 → 2006	F	280	130	5	6	10.5	150	R		
		GPZ S	500	1987 → 1988	F	280	130	5	6	10.5	150	R		
		ELIMINATOR	600	1986 → 1994	F	280	130	5	6	10.5	150	R		
		Z 750TURBO	750	1984 → 1986	F	280	130	5	6	10.5	150	R		
		ELIMINATOR	900	1985 → 1987	F	280	130	5	6	10.5	150	R		
		GPZ NINJA	900	1984 → 1986	F	280	130	5	6	10.5	150	R		
		GPZ R	900	1984 → 1989	F	280	130	5	6	10.5	150	R		
		ELIMINATOR	1000	1986 → 1990	F	280	130	5	6	10.5	150	R		
		GPX R	1000	1986 → 1989	F	280	130	5	6	10.5	150	R		
		GTR	1000	1994 → 2006	R	280	130	5	6	10.5	150	R		
		ZL	1000	1986 → 1988	F	280	130	5	6	10.5	150	R		
		VFR F	750	1990 → 1993	R	256	94	5	4	8.5	110	R		
		VFR F	750	1994 → 1997	R	256	94	5	4	8.5	110	R		
VFR FI	800	1998 → 1999	R	256	94	5	4	8.5	110	R				
VFR V-TEC	800	1998 → 2010	R	256	94	5	4	8.5	110	R				
FMD0221	HONDA	CR SUPERMOTARD	125	2000 →	R	240	121.1	4	4	10	140	R		
		CR R - E	250	1997 → 2001	R	240	121.1	4	4	10	140	R		
FMD0225	HUSQVARNA	CR SUPERMOTARD	250	1998 → 2001	R	240	121.1	4	4	10	140	R		
		CR	125	1991 → 1996	F	260	120.1	4	6	6.3	135	R		
		WR	250	1991 → 1997	F	260	120.1	4	6	6.3	135	R		
		TE	350	1996 → 2013	F	260	120.1	4	6	6.3	135	R		
FMD0227	KAWASAKI	TE	410	1995 → 2000	F	260	120.1	4	6	6.3	135	R		
		TE	610	1991 → 1997	F	260	120.1	4	6	6.3	135	R		
		KX	80	1993 → 2000	R	184	84	4	4	9.5	100	R		
		KX	85	2001 → 2015	R	184	84	4	4	9.5	100	R		



CC

Front
Rear

Outside Dia (mm)

Inside Dia (mm)

Thickness (mm)

No. of Fixing hole

Fixing hole dia. (mm)

Fix. hole centralline diam (mm)

DISC TYPE

Code	Brand	Model	Capacity	Year	Direction	Outside Dia (mm)	Inside Dia (mm)	Thickness (mm)	No. of Fixing hole	Fixing hole dia. (mm)	Fix. hole centralline diam (mm)	Disc Type
...FMD0227	SUZUKI	KX	100	2001 → 2014	R	184	84	4	4	9.5	100	R
		RM	80	1990 → 2001	R	184	84	4	4	9.5	100	R
		RM	85	2002 → 2004	R	184	84	4	4	9.5	100	R
FMD0228	KTM	SX	65	1998 → 2014	R	160	45	3	4	6.5	60	R
		SXS	65	2012 → 2013	R	160	45	3	4	6.5	60	R
		XC	65	2008 → 2009	R	160	45	3	4	6.5	60	R
	PEUGEOT	MX	80	2000 → 2002	R	160	45	3	4	6.5	60	R
FMD0229		ELYSEO	100	2002 →	F	226	58	4	3	10.5	80	R
		ELYSEO (A.J.P.)	100	1998 → 2001	F	226	58	4	3	10.5	80	R
	ELYSEO	ELYSEO	125	1998 → 1999	F	226	58	4	3	10.5	80	R
		ELYSEO	125	1999 →	F	226	58	4	3	10.5	80	R
		ELYSEO	125	2000 →	F	226	58	4	3	10.5	80	R
FMD0233	KAWASAKI	ELYSEO	150	2000 →	F	226	58	4	3	10.5	80	R
		ZXR	400	1989 → 1990	R	238.5	102	4.5	4	10.5	120	R
		ZXR	400	1991 → 2002	R	238.5	102	4.5	4	10.5	120	R
		ZXR (ZX 400L) RR	400	1992 → 2002	R	238.5	102	4.5	4	10.5	120	R
		ZXR R	400	1991 → 1994	R	238.5	102	4.5	4	10.5	120	R
		ZEPHYR	550	1993 → 2001	R	238.5	102	4.5	4	10.5	120	R
		ZZR	600	1993 → 2005	R	238.5	102	4.5	4	10.5	120	R
		ZZR (ZX E6F)	600	2006 → 2007	R	238.5	102	4.5	4	10.5	120	R
		GPX	750	1987 → 1989	R	238.5	102	4.5	4	10.5	120	R
		GPX R	750	1986 → 1987	R	238.5	102	4.5	4	10.5	120	R
		ZR7	750	1999 → 2003	R	238.5	102	4.5	4	10.5	120	R
		ZR7S	750	2001 → 2003	R	238.5	102	4.5	4	10.5	120	R
FMD0234		KAWASAKI	KLE	500	1991 → 2007	R	230	120	4	6	10.5	136
	KLE		500	2006 → 2007	R	230	120	4	6	10.5	136	R
	KL TENGAI		650	1989 → 1992	R	230	120	4	6	10.5	136	R
	KLR		650	1987 → 1994	R	230	120	4	6	10.5	136	R
	KLR		650	1995 → 2004	R	230	120	4	6	10.5	136	R
	KLR		650	2005 → 2007	R	230	120	4	6	10.5	136	R
	KLR A		650	1987 → 1989	R	230	120	4	6	10.5	136	R
	KLR B1-B3 Tengai		650	1989 → 1991	R	230	120	4	6	10.5	136	R
FMD0235	KAWASAKI	ZZR	1100	1993 → 1999	R	250	100	5	4	10.5	120	R
FMD0237	KAWASAKI	ZX6R NINJA	600	1998 → 2001	R	218.5	102	4.5	4	10.5	120	R
		ZX6R NINJA	600	2007 → 2014	R	218.5	102	4.5	4	10.5	120	R
		ZX6RR NINJA	600	2003 → 2004	R	218.5	102	4.5	4	10.5	120	R
		ZX6RR NINJA	600	2005 → 2006	R	218.5	102	4.5	4	10.5	120	R
		ZX6R 636 NINJA	636	2002 → 2004	R	218.5	102	4.5	4	10.5	120	R
		ZX6R 636 NINJA	636	2005 → 2006	R	218.5	102	4.5	4	10.5	120	R
		ZX6R NINJA	636	2002 → 2002	R	218.5	102	4.5	4	10.5	120	R
		ZX6R NINJA	636	2003 → 2004	R	218.5	102	4.5	4	10.5	120	R
		ZX6R NINJA	636	2005 → 2006	R	218.5	102	4.5	4	10.5	120	R
		ZX6R NINJA	636	2013 → 2015	R	218.5	102	4.5	4	10.5	120	R
		ZX6R NINJA ABS	636	2013 → 2015	R	218.5	102	4.5	4	10.5	120	R
		ER6F	650	2006 → 2015	R	218.5	102	4.5	4	10.5	120	R
		ER6N	650	2006 → 2015	R	218.5	102	4.5	4	10.5	120	R
		VERSYS	650	2007 → 2014	R	218.5	102	4.5	4	10.5	120	R
		Z 750	750	2004 → 2006	R	218.5	102	4.5	4	10.5	120	R
		Z 750 S	750	2005 → 2006	R	218.5	102	4.5	4	10.5	120	R
		ZX9R NINJA	900	1998 → 1999	R	218.5	102	4.5	4	10.5	120	R
		ZX9R NINJA	900	2000 → 2001	R	218.5	102	4.5	4	10.5	120	R
		ZX9R NINJA	900	2002 → 2003	R	218.5	102	4.5	4	10.5	120	R
		Z 1000	1000	2003 → 2006	R	218.5	102	4.5	4	10.5	120	R
		ZX-10R	1000	2004 → 2007	R	218.5	102	4.5	4	10.5	120	R
		ZX-10R	1000	2008 → 2015	R	218.5	102	4.5	4	10.5	120	R
		ZX-10R ABS	1000	2011 → 2015	R	218.5	102	4.5	4	10.5	120	R
FMD0238	KAWASAKI	ZX12R NINJA	1200	2000 → 2003	R	230	100	5	4	10.5	120	R
		ZX12R NINJA	1200	2004 → 2006	R	230	100	5	4	10.5	120	R
FMD0239	KAWASAKI	KX	125	2003 → 2005	R	240	115.1	4	4	10.5	133	R
		KX	125	2006 →	R	240	115.1	4	4	10.5	133	R
		KX	250	2003 → 2008	R	240	115.1	4	4	10.5	133	R
		KX F	250	2004 → 2014	R	240	115.1	4	4	10.5	133	R
		KX F	250	2015 →	R	240	115.1	4	4	10.5	133	R
		KLX R	450	2008 → 2015	R	240	115.1	4	4	10.5	133	R
		KX F	450	2006 → 2014	R	240	115.1	4	4	10.5	133	R
		KX F	450	2015 →	R	240	115.1	4	4	10.5	133	R
		RMZ	250	2004 → 2006	R	240	115.1	4	4	10.5	133	R
FMD0241		SUZUKI	GSX R	600	2004 → 2005	F	300	69	5	5	10.5	91
	GSX R (Rad.cal)		600	2004 → 2005	F	300	69	5	5	10.5	91	RX
	GSX R		750	2004 → 2005	F	300	69	5	5	10.5	91	RX
	GSX R (Rad.cal)		750	2004 → 2005	F	300	69	5	5	10.5	91	RX
	GSX R		1000	2003 → 2004	F	300	69	5	5	10.5	91	RX
FMD0242	SUZUKI	DR S	250	1990 →	R	218.5	118.5	4	4	8.5	142	R
		DR R	350	1994 → 1999	R	218.5	118.5	4	4	8.5	142	R
		DR S	350	1989 → 1993	R	218.5	118.5	4	4	8.5	142	R
		DR S	350	1996 → 1999	R	218.5	118.5	4	4	8.5	142	R
		DR S-R	350	1989 → 1999	R	218.5	118.5	4	4	8.5	142	R
FMD0244	KYMCO	AGILITY R16	125	2008 → 2012	R	240	89	4	5	10.5	110	R



CC

Front
Rear

Outside Dia (mm)

Inside Dia (mm)

Thickness (mm)

No. of Fixing hole

Fixing hole dia. (mm)

Fix. hole centreline diam (mm)

DISC TYPE

Code	Brand	Model	CC	Year	Front/Rear	Outside Dia (mm)	Inside Dia (mm)	Thickness (mm)	No. of Fixing hole	Fixing hole dia. (mm)	Fix. hole centreline diam (mm)	DISC TYPE	
...FMD0244	SUZUKI	AGILITY R16	125	2013 → 2014	R	240	89	4	5	10.5	110	R	
		AGILITY R16 PLUS	125	2014 →	R	240	89	4	5	10.5	110	R	
		DOWNTOWN i	125	2009 → 2014	R	240	89	4	5	10.5	110	R	
		G DINK	125	2012 →	F	240	89	4	5	10.5	110	R	
		SUPER DINK	125	2009 → 2013	R	240	89	4	5	10.5	110	R	
		AGILITY R16	150	2008 → 2010	R	240	89	4	5	10.5	110	R	
		AGILITY R16	150	2011 → 2012	R	240	89	4	5	10.5	110	R	
		AGILITY R16	200	2009 → 2014	R	240	89	4	5	10.5	110	R	
		AGILITY R16i PLUS	200	2014 →	R	240	89	4	5	10.5	110	R	
		DOWNTOWN i	200	2010 → 2014	R	240	89	4	5	10.5	110	R	
		DOWNTOWN i	300	2009 → 2014	R	240	89	4	5	10.5	110	R	
		DOWNTOWN i ABS	300	2010 → 2014	R	240	89	4	5	10.5	110	R	
		G DINK	300	2012 → 2015	F	240	89	4	5	10.5	110	R	
		SUPER DINK	300	2009 → 2012	R	240	89	4	5	10.5	110	R	
		GSF BANDIT	600	1995 → 1999	R	240	89	4	5	10.5	110	R	
		GSF BANDIT	600	2000 → 2004	R	240	89	4	5	10.5	110	R	
		GSX F	600	1998 → 2003	R	240	89	4	5	10.5	110	R	
		GSX F	600	2004 → 2006	R	240	89	4	5	10.5	110	R	
		RF R	600	1993 → 1997	R	240	89	4	5	10.5	110	R	
		GSF BANDIT	650	2005 → 2006	R	240	89	4	5	10.5	110	R	
		GSF BANDIT S	650	2005 → 2006	R	240	89	4	5	10.5	110	R	
		SV	650	1999 → 2002	R	240	89	4	5	10.5	110	R	
		SV S	650	1999 → 2002	R	240	89	4	5	10.5	110	R	
		GSX	750	1997 → 2003	R	240	89	4	5	10.5	110	R	
		GSX F	750	1998 → 2003	R	240	89	4	5	10.5	110	R	
		GSX F	750	2004 → 2006	R	240	89	4	5	10.5	110	R	
		GSX R	750	1985 → 1988	R	240	89	4	5	10.5	110	R	
		GSX R	750	1989 → 1995	R	240	89	4	5	10.5	110	R	
		GSX R W	750	1994 → 1995	R	240	89	4	5	10.5	110	R	
		RF	900	1994 → 1997	R	240	89	4	5	10.5	110	R	
		GSX R	1100	1989 → 2000	R	240	89	4	5	10.5	110	R	
		GSF BANDIT	1200	1996 → 2005	R	240	89	4	5	10.5	110	R	
		GSX INAZUMA	1200	1999 → 2002	R	240	89	4	5	10.5	110	R	
		GSX R HAYABUSA	1300	1999 → 2007	R	240	89	4	5	10.5	110	R	
FMD0245		SUZUKI	RGV K	250	1989 → 1990	R	210	81	4	4	10.5	100	R
FMD0246		SUZUKI	GS	400	1989 → 1989	R	250	84	4	4	8.5	100	R
		GSF BANDIT	400	1989 → 1996	R	250	84	4	4	8.5	100	R	
		GS E	500	1989 → 2003	R	250	84	4	4	8.5	100	R	
		GS F	500	2004 → 2007	R	250	84	4	4	8.5	100	R	
		GSX F	600	1988 → 1997	R	250	84	4	4	8.5	100	R	
		GSX	750	1989 → 1992	R	250	84	4	4	8.5	100	R	
FMD0247		SUZUKI	VX	800	1990 → 1993	R	250	84	5	5	8.5	100	R
		VX	800	1994 →	R	250	84	5	5	8.5	100	R	
FMD0248		SUZUKI	RM	125	2001 → 2012	R	240	118	4	6	6.5	134	R
		RM	250	2000 → 2012	R	240	118	4	6	6.5	134	R	
	DR Z SM	400	2005 → 2009	R	240	118	4	6	6.5	134	R		
FMD0249	SUZUKI	GSX R	600	1997 → 2003	R	220	89	5	5	10.5	110	R	
	GSX R	600	2004 → 2005	R	220	89	5	5	10.5	110	R		
	GSX R	600	2006 → 2007	R	220	89	5	5	10.5	110	R		
	GSX R	600	2008 → 2014	R	220	89	5	5	10.5	110	R		
	GSX R (Rad.cal)	600	2004 → 2005	R	220	89	5	5	10.5	110	R		
	GSX R (Rad.cal)	600	2006 → 2007	R	220	89	5	5	10.5	110	R		
	SV	650	2003 → 2010	R	220	89	5	5	10.5	110	R		
	SV S	650	2003 → 2009	R	220	89	5	5	10.5	110	R		
	GSX R	750	1996 → 2003	R	220	89	5	5	10.5	110	R		
	GSX R	750	2004 → 2005	R	220	89	5	5	10.5	110	R		
	GSX R	750	2006 → 2007	R	220	89	5	5	10.5	110	R		
	GSX R	750	2008 → 2014	R	220	89	5	5	10.5	110	R		
	GSX R (Rad.cal)	750	2004 → 2005	R	220	89	5	5	10.5	110	R		
	GSX R (Rad.cal)	750	2006 → 2007	R	220	89	5	5	10.5	110	R		
	GSX R Y	750	2000 → 2003	R	220	89	5	5	10.5	110	R		
	GSX R	1000	2001 → 2002	R	220	89	5	5	10.5	110	R		
	GSX R	1000	2003 → 2004	R	220	89	5	5	10.5	110	R		
	GSX R	1000	2005 → 2008	R	220	89	5	5	10.5	110	R		
	GSX R	1000	2009 → 2014	R	220	89	5	5	10.5	110	R		
	GSX R (Rad.cal)	1000	2005 → 2008	R	220	89	5	5	10.5	110	R		
	SV	1000	2003 → 2007	R	220	89	5	5	10.5	110	R		
	SV S	1000	2003 → 2007	R	220	89	5	5	10.5	110	R		
	TL R	1000	1998 → 2003	R	220	89	5	5	10.5	110	R		
	TL S	1000	1997 → 2001	R	220	89	5	5	10.5	110	R		
	GSX R	1100	1987 → 1988	R	220	89	5	5	10.5	110	R		
FMD0250	SUZUKI	BURGMAN	250	1996 → 1997	R	210	109	5	5	10.6	132	R	
	BURGMAN	250	1998 → 2002	R	210	109	5	5	10.6	132	R		
	BURGMAN	400	1999 → 2002	R	210	109	5	5	10.6	132	R		
FMD0251	KAWASAKI	KX	80	1993 → 1996	R	186	84	4	4	6.5	100	R	
	SUZUKI	RM	80	1990 → 2001	R	186	84	4	4	6.5	100	R	
	RM	85	2002 → 2004	R	186	84	4	4	6.5	100	R		
FMD0252	TM	all models (solo fascia frenante)	80	1994 → 2003	R	240	115	4	6	6.5	128	R	



Front
Rear

					Front Rear	Outside Dia (mm)	Inside Dia (mm)	Thickness (mm)	No. of Fixing hole	Fixing hole dia. (mm)	Fix. hole centration diam (mm)	DISC TYPE		
...FMD0252		all models (solo fascia frenante)	85	1998	→	2003	R	240	115	4	6	6.5	128	R
		all models	125	1990	→	2000	R	240	115	4	6	6.5	128	R
		MC	125	1986	→	1989	R	240	115	4	6	6.5	128	R
		SMR	125	2005	→		R	240	115	4	6	6.5	128	R
		250 E	250	1995	→	2000	R	240	115	4	6	6.5	128	R
		250 F	250	2005	→		R	240	115	4	6	6.5	128	R
		all models	250	1995	→	2000	R	240	115	4	6	6.5	128	R
		all models	250	2005	→		R	240	115	4	6	6.5	128	R
		ENDURO F	250	2000	→	2001	R	240	115	4	6	6.5	128	R
		ENDURO F	250	2005	→		R	240	115	4	6	6.5	128	R
		SMR 2T	250	2002	→		R	240	115	4	6	6.5	128	R
		SMR F ES	250	2003	→		R	240	115	4	6	6.5	128	R
		all models	300	1998	→	2000	R	240	115	4	6	6.5	128	R
		400 F	400	2000	→		R	240	115	4	6	6.5	128	R
		all models 4T	400	2001	→		R	240	115	4	6	6.5	128	R
		CROSS	400		→	2000	R	240	115	4	6	6.5	128	R
		SMF F	400	2002	→		R	240	115	4	6	6.5	128	R
		MX - EN F	450	2005	→		R	240	115	4	6	6.5	128	R
		SMR F ES	450	2002	→	2004	R	240	115	4	6	6.5	128	R
		SMX F	450	2004	→		R	240	115	4	6	6.5	128	R
		EN F ES	530	2003	→	2004	R	240	115	4	6	6.5	128	R
		MX - EN F	530	2005	→		R	240	115	4	6	6.5	128	R
		SMR F ES	530	2003	→		R	240	115	4	6	6.5	128	R
FMD0256	YAMAHA	XT	600	1987	→	1990	R	220	86	4.5	6	6.5	102	R
		XT 4 VALVES	600	1988	→	1989	R	220	86	4.5	6	6.5	102	R
		XT E	600	1990	→	1994	R	220	86	4.5	6	6.5	102	R
		XT E	600	1995	→	1996	R	220	86	4.5	6	6.5	102	R
		XT E	600	1997	→	2003	R	220	86	4.5	6	6.5	102	R
		XT Z TENERE	600	1987	→	1991	R	220	86	4.5	6	6.5	102	R
		XTZ TENERE	660	1991	→	1991	R	220	86	4.5	6	6.5	102	R
		XTZ TENERE	660	1992	→	1998	R	220	86	4.5	6	6.5	102	R
FMD0257	YAMAHA	RD LC	500	1984	→	1988	R	245	115	5	6	6.5	133	R
FMD0258	HRD	XTZ SUPER TENERE	750	1989	→	2000	R	245	115	5	6	6.5	133	R
	YAMAHA	GS 97	250	1997	→		R	240	115	4	6	6.5	133	R
		WR	125	1998	→	2000	R	240	115	4	6	6.5	133	R
		WR	125	2001	→	2002	R	240	115	4	6	6.5	133	R
		YZ	125	1998	→	2001	R	240	115	4	6	6.5	133	R
		YZ	125	1998	→	2001	R	240	115	4	6	6.5	133	R
		WR	250	1998	→	2000	R	240	115	4	6	6.5	133	R
		WR F	250	2001	→	2002	R	240	115	4	6	6.5	133	R
		YZ	250	1998	→	2000	R	240	115	4	6	6.5	133	R
		YZ	250	2001	→	2002	R	240	115	4	6	6.5	133	R
		YZ F	250	2001	→	2001	R	240	115	4	6	6.5	133	R
		YZ- WR	250	1998	→		R	240	115	4	6	6.5	133	R
		YZ-F	400	1998	→	2000	R	240	115	4	6	6.5	133	R
		WR F	426	2000	→	2001	R	240	115	4	6	6.5	133	R
		WR F	426	2001	→	2002	R	240	115	4	6	6.5	133	R
		YZ-F	426	2000	→	2001	R	240	115	4	6	6.5	133	R
FMD0259	YAMAHA	YZ	80	1993	→	2001	R	190	84.3	3	4	6.6	100	R
		YZ	85	2002	→	2007	R	190	84.3	3	4	6.6	100	R
FMD0260	YAMAHA	MAJESTY DX YP	250	1998	→	1999	R	230	84	5	3	8.6	102	R
		YP MAJESTY DX	250	1998	→	1999	R	230	84	5	3	8.6	102	R
FMD0261	YAMAHA	YZF R6	600	1999	→	2002	R	220	115.1	5	6	8.6	133	R
		YZF R1	1000	2002	→	2003	R	220	115.1	5	6	8.6	133	R
FMD0263	YAMAHA	WR	125	2002	→	2005	R	245	115	4	6	6.5	133	R
		YZ	125	2002	→	2007	R	245	115	4	6	6.5	133	R
		YZ	125	2008	→		R	245	115	4	6	6.5	133	R
		WR	250	2001	→	2008	R	245	115	4	6	6.5	133	R
		WR F	250	2002	→	2013	R	245	115	4	6	6.5	133	R
		WR F EFI	250	2015	→		R	245	115	4	6	6.5	133	R
		YZ	250	2002	→	2015	R	245	115	4	6	6.5	133	R
		YZ F	250	2002	→	2013	R	245	115	4	6	6.5	133	R
		YZ-F	250	2001	→	2013	R	245	115	4	6	6.5	133	R
		YZ-F EFI	250	2014	→	2015	R	245	115	4	6	6.5	133	R
		WR F	400	2001	→	2002	R	245	115	4	6	6.5	133	R
		YZ-F	426	2001	→	2002	R	245	115	4	6	6.5	133	R
		WR F	450	2003	→	2015	R	245	115	4	6	6.5	133	R
		YZ F	450	2003	→	2004	R	245	115	4	6	6.5	133	R
		YZ-F	450	2003	→	2015	R	245	115	4	6	6.5	133	R
FMD0265	YAMAHA	YZF R6	600	2003	→	2004	R	220	105	4	5	10.5	125	R
		YZF R6	600	2005	→	2015	R	220	105	4	5	10.5	125	R
		YZ-F R1	1000	2004	→	2014	R	220	105	4	5	10.5	125	R
		YZF R1	1000	2004	→	2006	R	220	105	4	5	10.5	125	R
		YZF R1	1000	2007	→	2011	R	220	105	4	5	10.5	125	R
		YZF R1	1000	2012	→	2014	R	220	105	4	5	10.5	125	R
FMD0266	HARLEY D.	XL 883 L SPORTSTER LOW	883	2007	→	2013	F	292	56	5	5	8.5	82.5	RPF/RP/RF/R
		XL 883 N IRON	883	2009	→	2013	F	292	56	5	5	8.5	82.5	RPF/RP/RF/R
		XL 883 R ROADSTER	883	2010	→	2011	F	292	56	5	5	8.5	82.5	RPF/RP/RF/R



Front
Rear

Outside Dia (mm)

Inside Dia (mm)

Thickness (mm)

No. of Fixing hole

Fixing hole dia. (mm)

Fix. hole centreline diam (mm)

DISC TYPE

...FMD0266

	XL 883 R SPORTSTER	883	2000	→	2003	F	292	56	5	5	8.5	82.5	RPF/RP/RFR
	XL 883 R SPORTSTER R	883	2005	→	2013	F	292	56	5	5	8.5	82.5	RPF/RP/RFR
	XL 883 SPORTSTER CUSTOM	883	2004	→	2010	F	292	56	5	5	8.5	82.5	RPF/RP/RFR
	XL SPORTSTER CUSTOM 53	883	2000	→	2003	F	292	56	5	5	8.5	82.5	RPF/RP/RFR
	XLH 883 SPORTSTER	883	2000	→	2006	F	292	56	5	5	8.5	82.5	RPF/RP/RFR
	XLH 883 SPORTSTER HUGGER	883	2000	→	2003	F	292	56	5	5	8.5	82.5	RPF/RP/RFR
	XLR 883 CUSTOM 53	883	2001	→		F	292	56	5	5	8.5	82.5	RPF/RP/RFR
	XL 1200 C SPORTSTER CUSTOM	1200	2004	→	2013	F	292	56	5	5	8.5	82.5	RPF/RP/RFR
	XL 1200 L SPORTSTER LOW	1200	2007	→	2013	F	292	56	5	5	8.5	82.5	RPF/RP/RFR
	XL 1200 R SPORTSTER ROADSTER	1200	2004	→	2008	F	292	56	5	5	8.5	82.5	RPF/RP/RFR
	XL 1200 S SPORT	1200	2000	→	2003	F	292	56	5	5	8.5	82.5	RPF/RP/RFR
	XL 1200 SPORTSTER	1200	2004	→	2006	F	292	56	5	5	8.5	82.5	RPF/RP/RFR
	XL 1200 SPORTSTER - FORTY EIGHT	1200	2010	→	2011	F	292	56	5	5	8.5	82.5	RPF/RP/RFR
	XL 1200 SPORTSTER CUSTOM	1200	2000	→	2003	F	292	56	5	5	8.5	82.5	RPF/RP/RFR
	XL 1200 SPORTSTER N NIGHTSTER	1200	2007	→	2013	F	292	56	5	5	8.5	82.5	RPF/RP/RFR
	XL 1200 V - SEVENTY TWO	1200	2012	→	2013	F	292	56	5	5	8.5	82.5	RPF/RP/RFR
	XL 1200 X - FORTY EIGHT	1200	2010	→	2013	F	292	56	5	5	8.5	82.5	RPF/RP/RFR
	XLH 1200 SPORTSTER	1200	2000	→	2003	F	292	56	5	5	8.5	82.5	RPF/RP/RFR
	XR	1200	2008	→	2010	F	292	56	5	5	8.5	82.5	RPF/RP/RFR
	XR 1200 X	1200	2010	→	2012	F	292	56	5	5	8.5	82.5	RPF/RP/RFR
	FLSTC 1340 HERITAGE SOFTAIL CLASSIC	1340	2000	→	2002	F	292	56	5	5	8.5	82.5	RPF/RP/RFR
	FLSTC FAT BOY	1340	2000	→	2002	F	292	56	5	5	8.5	82.5	RPF/RP/RFR
	FXLR 1340 LOW RIDER CUSTOM	1340	2000	→		F	292	56	5	5	8.5	82.5	RPF/RP/RFR
	FXSTS 1340 SPRINGER SOFTAIL	1340	2000	→	2002	F	292	56	5	5	8.5	82.5	RPF/RP/RFR
	FLHR/I ROAD KING	1450	2000	→	2007	F	292	56	5	5	8.5	82.5	RPF/RP/RFR
	FLHRCI ROAD KING CLASSIC	1450	2000	→	2006	F	292	56	5	5	8.5	82.5	RPF/RP/RFR
	FLHT/I ELECTRA GLIDE STANDARD	1450	2000	→	2006	F	292	56	5	5	8.5	82.5	RPF/RP/RFR
	FLHTCUI ELECTRA GLIDE ULTRA CLASSIC	1450	2000	→	2006	F	292	56	5	5	8.5	82.5	RPF/RP/RFR
	FLSTC HERITAGE SOFTAIL CLASSIC	1450	2000	→	2006	F	292	56	5	5	8.5	82.5	RPF/RP/RFR
	FLSTF FAT BOY	1450	2000	→	2006	F	292	56	5	5	8.5	82.5	RPF/RP/RFR
	FLSTS HERITAGE SPRINGER	1450	2000	→	2003	F	292	56	5	5	8.5	82.5	RPF/RP/RFR
	FLTR/I ROAD GLIDE	1450	2000	→	2007	F	292	56	5	5	8.5	82.5	RPF/RP/RFR
	FXD DYNA SUPER GLIDE	1450	2000	→	2003	F	292	56	5	5	8.5	82.5	RPF/RP/RFR
	FXDL DYNA LOW RIDER	1450	2000	→	2006	F	292	56	5	5	8.5	82.5	RPF/RP/RFR
	FXDS DYNA SUPER GLIDE SPORT	1450	2000	→		F	292	56	5	5	8.5	82.5	RPF/RP/RFR
	FXDWG DYNA WIDE GLIDE	1450	2000	→	2005	F	292	56	5	5	8.5	82.5	RPF/RP/RFR
	FXDX DYNA SUPER GLIDE T-SPORT	1450	2000	→	2005	F	292	56	5	5	8.5	82.5	RPF/RP/RFR
	FXST SOFTAIL STANDARD	1450	2000	→	2007	F	292	56	5	5	8.5	82.5	RPF/RP/RFR
	FXSTB/I NIGHT TRAIN	1450	2000	→	2007	F	292	56	5	5	8.5	82.5	RPF/RP/RFR
	FXSTD/I SOFTAIL DEUCE	1450	2000	→	2006	F	292	56	5	5	8.5	82.5	RPF/RP/RFR
	FXSTS/I SPRINGER SOFTAIL	1450	2000	→	2006	F	292	56	5	5	8.5	82.5	RPF/RP/RFR
	FXDX DYNA SUPER GLIDE T-SPORT	1500	2001	→		F	292	56	5	5	8.5	82.5	RPF/RP/RFR
	FXST SOFTAIL STANDARD	1500	2001	→		F	292	56	5	5	8.5	82.5	RPF/RP/RFR
	FLHRC ROAD KING CLASSIC	1584	2007	→		F	292	56	5	5	8.5	82.5	RPF/RP/RFR
	FLHT/I ELECTRA GLIDE STANDARD	1584	2007	→		F	292	56	5	5	8.5	82.5	RPF/RP/RFR
	FLHTCU ELECTRA GLIDE ULTRA CLASSIC	1584	2007	→	2008	F	292	56	5	5	8.5	82.5	RPF/RP/RFR
	FLHX STREET GLIDE	1584	2006	→	2007	F	292	56	5	5	8.5	82.5	RPF/RP/RFR
	FLSTB FAT BOY SPECIAL	1584	2010	→	2013	F	292	56	5	5	8.5	82.5	RPF/RP/RFR
	FLSTB SOFTAIL CROSS BONES	1584	2008	→	2011	F	292	56	5	5	8.5	82.5	RPF/RP/RFR
	FLSTC HERITAGE SOFTAIL CLASSIC	1584	2007	→	2014	F	292	56	5	5	8.5	82.5	RPF/RP/RFR
	FLSTF FAT BOY	1584	2007	→	2014	F	292	56	5	5	8.5	82.5	RPF/RP/RFR
	FLSTN SOFTAIL DELUXE	1584	2005	→	2014	F	292	56	5	5	8.5	82.5	RPF/RP/RFR
	FLSTSE CVO SOFTAIL CONVERTIBLE	1584	2010	→	2011	F	292	56	5	5	8.5	82.5	RPF/RP/RFR
	FXCW ROCKER	1584	2008	→	2009	F	292	56	5	5	8.5	82.5	RPF/RP/RFR
	FXCWC ROCKER C	1584	2008	→	2013	F	292	56	5	5	8.5	82.5	RPF/RP/RFR
	FXS BLACKLINE	1584	2011	→	2013	F	292	56	5	5	8.5	82.5	RPF/RP/RFR
	FXSTB NIGHT TRAIN	1584	2008	→	2010	F	292	56	5	5	8.5	82.5	RPF/RP/RFR
	FXSTC SOFTAIL CUSTOM	1584	2008	→	2010	F	292	56	5	5	8.5	82.5	RPF/RP/RFR
	FXSTSS CVO SOFTAIL SPRINGER	1584	2009	→		F	292	56	5	5	8.5	82.5	RPF/RP/RFR
	FLS SOFTAIL SLIM	1690	2012	→	2014	F	292	56	5	5	8.5	82.5	RPF/RP/RFR
	XL 883 SPORTSTER CUSTOM	883	2004	→	2010	R	292	56.3	5	5	10.5	82.5	RPF/RP/RFR
	XL SPORTSTER CUSTOM 53	883	2000	→	2003	R	292	56.3	5	5	10.5	82.5	RPF/RP/RFR
	XLH 883 SPORTSTER	883	2000	→	2006	R	292	56.3	5	5	10.5	82.5	RPF/RP/RFR
	XLH 883 SPORTSTER HUGGER	883	2000	→	2003	R	292	56.3	5	5	10.5	82.5	RPF/RP/RFR
	XLR 883 CUSTOM 53	883	2001	→		R	292	56.3	5	5	10.5	82.5	RPF/RP/RFR
	XL 1200 C SPORTSTER CUSTOM	1200	2004	→	2013	R	292	56.3	5	5	10.5	82.5	RPF/RP/RFR
	XL 1200 R SPORTSTER ROADSTER	1200	2004	→	2008	R	292	56.3	5	5	10.5	82.5	RPF/RP/RFR
	XL 1200 S SPORT	1200	2000	→	2003	R	292	56.3	5	5	10.5	82.5	RPF/RP/RFR
	XL 1200 SPORTSTER	1200	2004	→	2006	R	292	56.3	5	5	10.5	82.5	RPF/RP/RFR
	XL 1200 SPORTSTER - FORTY EIGHT	1200	2010	→	2011	R	292	56.3	5	5	10.5	82.5	RPF/RP/RFR
	XL 1200 SPORTSTER CUSTOM	1200	2000	→	2003	R	292	56.3	5	5	10.5	82.5	RPF/RP/RFR
	XLH 1200 SPORTSTER	1200	2000	→	2003	R	292	56.3	5	5	10.5	82.5	RPF/RP/RFR
	FLSTC 1340 HERITAGE SOFTAIL CLASSIC	1340	2000	→	2002	R	292	56.3	5	5	10.5	82.5	RPF/RP/RFR
	FLSTC FAT BOY	1340	2000	→	2002	R	292	56.3	5	5	10.5	82.5	RPF/RP/RFR
	FXLR 1340 LOW RIDER CUSTOM	1340	2000	→		R	292	56.3	5	5	10.5	82.5	RPF/RP/RFR
	FXSTS 1340 SPRINGER SOFTAIL	1340	2000	→	2002	R	292	56.3	5	5	10.5	82.5	RPF/RP/RFR
	FLHR/I ROAD KING	1450	2000	→	2007	R	292	56.3	5	5	10.5	82.5	RPF/RP/RFR
	FLHRCI ROAD KING CLASSIC	1450	2000	→	2006	R	292	56.3	5	5	10.5	82.5	RPF/RP/RFR

FMD0267

HARLEY D.

Front
Rear

Outside Dia (mm)

Inside Dia (mm)

Thickness (mm)

No. of Fixing hole

Fixing hole dia. (mm)

Fix. hole centration diam (mm)

DISC TYPE

...
...FMD0267		FLHT/I ELECTRA GLIDE STANDARD	1450	2000 → 2006	R	292	56.3	5	5	10.5	82.5	RPF/RP/RFR	
		FLHTCUI ELECTRA GLIDE ULTRA CLASSIC	1450	2000 → 2006	R	292	56.3	5	5	10.5	82.5	RPF/RP/RFR	
		FLSTC HERITAGE SOFTAIL CLASSIC	1450	2000 → 2006	R	292	56.3	5	5	10.5	82.5	RPF/RP/RFR	
		FLSTF FAT BOY	1450	2000 → 2006	R	292	56.3	5	5	10.5	82.5	RPF/RP/RFR	
		FLSTS HERITAGE SPRINGER	1450	2000 → 2003	R	292	56.3	5	5	10.5	82.5	RPF/RP/RFR	
		FLTR/I ROAD GLIDE	1450	2000 → 2007	R	292	56.3	5	5	10.5	82.5	RPF/RP/RFR	
		FXD DYNA SUPER GLIDE	1450	2000 → 2003	R	292	56.3	5	5	10.5	82.5	RPF/RP/RFR	
		FXD DYNA SUPER GLIDE	1450	2006 → 2007	R	292	56.3	5	5	10.5	82.5	RPF/RP/RFR	
		FXDC DYNA SUPER GLIDE CUSTOM	1450	2006 → 2007	R	292	56.3	5	5	10.5	82.5	RPF/RP/RFR	
		FXDL DYNA LOW RIDER	1450	2000 → 2006	R	292	56.3	5	5	10.5	82.5	RPF/RP/RFR	
		FXDS DYNA SUPER GLIDE SPORT	1450	2000 →	R	292	56.3	5	5	10.5	82.5	RPF/RP/RFR	
		FXDWG DYNA WIDE GLIDE	1450	2000 → 2005	R	292	56.3	5	5	10.5	82.5	RPF/RP/RFR	
		FXDWG DYNA WIDE GLIDE	1450	2006 → 2007	R	292	56.3	5	5	10.5	82.5	RPF/RP/RFR	
		FXDX DYNA SUPER GLIDE T-SPORT	1450	2000 → 2005	R	292	56.3	5	5	10.5	82.5	RPF/RP/RFR	
		FXST SOFTAIL STANDARD	1450	2000 → 2007	R	292	56.3	5	5	10.5	82.5	RPF/RP/RFR	
		FXSTB/I NIGHT TRAIN	1450	2000 → 2007	R	292	56.3	5	5	10.5	82.5	RPF/RP/RFR	
		FXSTD/I SOFTAIL DEUCE	1450	2000 → 2006	R	292	56.3	5	5	10.5	82.5	RPF/RP/RFR	
		FXSTS/I SPRINGER SOFTAIL	1450	2000 → 2006	R	292	56.3	5	5	10.5	82.5	RPF/RP/RFR	
		FXDX DYNA SUPER GLIDE T-SPORT	1500	2001 →	R	292	56.3	5	5	10.5	82.5	RPF/RP/RFR	
		FXST SOFTAIL STANDARD	1500	2001 →	R	292	56.3	5	5	10.5	82.5	RPF/RP/RFR	
		FLHRC ROAD KING CLASSIC	1584	2007 →	R	292	56.3	5	5	10.5	82.5	RPF/RP/RFR	
		FLHT/I ELECTRA GLIDE STANDARD	1584	2007 →	R	292	56.3	5	5	10.5	82.5	RPF/RP/RFR	
		FLHTCU ELECTRA GLIDE ULTRA CLASSIC	1584	2007 → 2008	R	292	56.3	5	5	10.5	82.5	RPF/RP/RFR	
		FLHX STREET GLIDE	1584	2006 → 2007	R	292	56.3	5	5	10.5	82.5	RPF/RP/RFR	
		FLSTB FAT BOY SPECIAL	1584	2010 → 2013	R	292	56.3	5	5	10.5	82.5	RPF/RP/RFR	
		FLSTB SOFTAIL CROSS BONES	1584	2008 → 2011	R	292	56.3	5	5	10.5	82.5	RPF/RP/RFR	
		FLSTC HERITAGE SOFTAIL CLASSIC	1584	2007 → 2014	R	292	56.3	5	5	10.5	82.5	RPF/RP/RFR	
		FLSTF FAT BOY	1584	2007 → 2014	R	292	56.3	5	5	10.5	82.5	RPF/RP/RFR	
		FLSTN SOFTAIL DELUXE	1584	2005 → 2014	R	292	56.3	5	5	10.5	82.5	RPF/RP/RFR	
		FLTSE CVO SOFTAIL CONVERTIBLE	1584	2010 → 2011	R	292	56.3	5	5	10.5	82.5	RPF/RP/RFR	
		FXCW ROCKER	1584	2008 → 2009	R	292	56.3	5	5	10.5	82.5	RPF/RP/RFR	
		FXCWC ROCKER C	1584	2008 → 2013	R	292	56.3	5	5	10.5	82.5	RPF/RP/RFR	
		FXD DYNA SUPER GLIDE	1584	2008 → 2010	R	292	56.3	5	5	10.5	82.5	RPF/RP/RFR	
		FXDC DYNA SUPER GLIDE CUSTOM	1584	2008 → 2014	R	292	56.3	5	5	10.5	82.5	RPF/RP/RFR	
		FXDF FAT BOB	1584	2008 → 2014	R	292	56.3	5	5	10.5	82.5	RPF/RP/RFR	
		FXDL DYNA LOW RIDER	1584	2007 → 2010	R	292	56.3	5	5	10.5	82.5	RPF/RP/RFR	
		FXDWG DYNA WIDE GLIDE	1584	2008 → 2014	R	292	56.3	5	5	10.5	82.5	RPF/RP/RFR	
		FXS BLACKLINE	1584	2011 → 2013	R	292	56.3	5	5	10.5	82.5	RPF/RP/RFR	
		FXSTB NIGHT TRAIN	1584	2008 → 2010	R	292	56.3	5	5	10.5	82.5	RPF/RP/RFR	
		FXSTC SOFTAIL CUSTOM	1584	2008 → 2010	R	292	56.3	5	5	10.5	82.5	RPF/RP/RFR	
		FXSTSS CVO SOFTAIL SPRINGER	1584	2009 →	R	292	56.3	5	5	10.5	82.5	RPF/RP/RFR	
		FLD SWITCHBACK	1690	2012 → 2014	R	292	56.3	5	5	10.5	82.5	RPF/RP/RFR	
		FLS SOFTAIL SLIM	1690	2012 → 2014	R	292	56.3	5	5	10.5	82.5	RPF/RP/RFR	
FMD0270	HONDA	TRX EX SPORTRAX	250	2001 → 2007	F	174	53	3	3	10.5	72	R	
		TRX R	250	1988 → 1989	F	174	53	3	3	10.5	72	R	
		TRX X	250	1988 → 1992	F	174	53	3	3	10.5	72	R	
		TRX EX	300	1993 → 2006	F	174	53	3	3	10.5	72	R	
		TRX EX	400	1999 → 2007	F	174	53	3	3	10.5	72	R	
		TRX EX FOURTRAX	400	1999 → 2002	F	174	53	3	3	10.5	72	R	
		TRX R	450	2004 → 2007	F	174	53	3	3	10.5	72	R	
FMD0271	HONDA	CH SPACY (spessore disco 4mm)	250	2000 →	F	187	72	4	4	10.5	94	R	
		CN	250	1987 → 1998	F	187	72	4	4	10.5	94	R	
FMD0273	YAMAHA	YFS R BLASTER	200	2003 → 2006	F	161	48	3.5	4	10.5	66	R	
		YFM RAPTOR	250	2008 → 2009	F	161	48	3.5	4	10.5	66	R	
		YFM R RAPTOR	350	2004 → 2008	F	161	48	3.5	4	10.5	66	R	
		YFM X WARRIOR	350	1987 → 2003	F	161	48	3.5	4	10.5	66	R	
		YFZ BANSHEE	350	1987 → 1989	F	161	48	3.5	4	10.5	66	R	
		YFZ BANSHEE	350	1990 → 2006	F	161	48	3.5	4	10.5	66	R	
		YFZ S	450	2004 → 2009	F	161	48	3.5	4	10.5	66	R	
		YFM RN RAPTOR	660	2001 → 2005	F	161	48	3.5	4	10.5	66	R	
		YFM RN RAPTOR	700	2006 → 2009	F	161	48	3.5	4	10.5	66	R	
FMD0274	YAMAHA	YFS BLASTER	200	1988 → 2002	R	220	58.3	4	4	8.5	76	R	
		YFS R BLASTER	200	2003 → 2006	R	220	58.3	4	4	8.5	76	R	
		YFZ BANSHEE	350	1987 → 1989	R	220	58.3	4	4	8.5	76	R	
		YFZ BANSHEE	350	1990 → 2006	R	220	58.3	4	4	8.5	76	R	
		YFM RN RAPTOR	660	2001 → 2005	R	220	58.3	4	4	8.5	76	R	
FMD0275	YAMAHA	SR (Rear Drum Model)	400	2014 → 2015	F	298	132	5	6	10.5	150	RPF	
		XVS VIRAGO (Rear Drum Model)	535	1996 → 2000	F	298	132	5	6	10.5	150	RPF	
		XVS DRAG STAR	600	1997 →	F	298	132	5	6	10.5	150	RPF	
		XVS DRAG STAR (Rear Drum Model)	650	1997 → 2004	F	298	132	5	6	10.5	150	RPF	
		XVS DRAG STAR CLASSIC (Rear Drum Model)	650	1998 → 2007	F	298	132	5	6	10.5	150	RPF	
		XVS DRAG STAR	1100	1999 → 2006	F	298	132	5	6	10.5	150	RPF	
		V MAX	1200	1993 → 2006	F	298	132	5	6	10.5	150	RPF	
		XVZ ROYAL STAR	1300	1996 → 2007	F	298	132	5	6	10.5	150	RPF	
		XVZ13TF WILD STAR	1300	1999 →	F	298	132	5	6	10.5	150	RPF	
		XVS ROAD STAR	1600	1999 → 2007	F	298	132	5	6	10.5	150	RPF	
		XVS WILD STAR	1600	1999 → 2007	F	298	132	5	6	10.5	150	RPF	
		XV ROADLINER	1900	2006 →	F	298	132	5	6	10.5	150	RPF	

Front
Rear

Outside Dia (mm)

Inside Dia (mm)

Thickness (mm)

No. of Fixing hole

Fixing hole dia. (mm)

Fix. hole centralise diam (mm)

DISC TYPE

FMD0278	KTM	MX	125	1988	→	1991	F	240	124	3	6	6.5	143	R		
		GS	250	1988	→	1992	F	240	124	3	6	6.5	143	R		
FMD0279	KTM	MX	250	1988	→	1991	F	240	124	3	6	6.5	143	R		
		LC4 ADVENTURE	620	1997	→	1998	F	300	127	4	6	6.5	143	RF		
		LC4 ADVENTURE	640	1998	→	2000	F	300	127	4	6	6.5	143	RF		
		LC4 ADVENTURE	640	2004	→	2007	F	300	127	4	6	6.5	143	RF		
		LC4 ENDURO	640	1999	→	2007	F	300	127	4	6	6.5	143	RF		
		LC8 ADVENTURE	950	2002	→	2006	F	300	127	4	6	6.5	143	RF		
		LC8 ADVENTURE S	950	2004	→	2006	F	300	127	4	6	6.5	143	RF		
		SUPER ENDURO R	950	2006	→	2008	F	300	127	4	6	6.5	143	RF		
		LC8 ADVENTURE R	990	2010	→	2012	F	300	127	4	6	6.5	143	RF		
FMD0281	YAMAHA	LC8 ADVENTURE S	990	2006	→	2008	F	300	127	4	6	6.5	143	RF		
		FZ1	1000	2006	→	2012	F	320	132	5	5	8.5	150	RX		
		FZ1	1000	2013	→	2014	F	320	132	5	5	8.5	150	RX		
		FZ1 FAZER	1000	2006	→	2012	F	320	132	5	5	8.5	150	RX		
		FZ1 FAZER ABS	1000	2007	→	2012	F	320	132	5	5	8.5	150	RX		
		YZF R1	1000	2004	→	2006	F	320	132	5	5	8.5	150	RX		
FMD0309	CAGIVA DERBI	MITO	50	1998	→	2001	F	260	90.5	4	6	6.5	101.6	R		
		GPR NUDE	50	2004	→	2005	F	260	90.5	4	6	6.5	101.6	R		
		GPR R	50	1997	→	2001	F	260	90.5	4	6	6.5	101.6	R		
FMD0310	BULTACO	GPR RACING	50	2004	→		F	260	90.5	4	6	6.5	101.6	R		
		ASTRO	50	1999	→	2000	F	260	108.6	3.5	6	6.5	125	R		
		LOBITO	50	1999	→	2013	F	260	108.6	3.5	6	6.5	125	R		
		LOBITO	50	2014	→		F	260	108.6	3.5	6	6.5	125	R		
FMD0311	DERBI	SENDA SM XTREAM	50	2000	→	2001	F	260	108.6	3.5	6	6.5	125	R		
		SENDA SUPERMOTARD	50	2000	→		F	260	108.6	3.5	6	6.5	125	R		
		CRW ENDURO	50	2003	→		F	260	108.6	3.5	6	6.5	125	R		
		SENDA	50	1994	→		F	218	90.5	4	3	8.5	115.5	R		
		SENDA L 6V	50	1994	→	1997	F	218	90.5	4	3	8.5	115.5	R		
		SENDA R	50	1998	→	1999	F	218	90.5	4	3	8.5	115.5	R		
		SENDA R 6V	50	1994	→	1997	F	218	90.5	4	3	8.5	115.5	R		
		SENDA R RACER	50	2002	→		F	218	90.5	4	3	8.5	115.5	R		
		SENDA SM RACER	50	2002	→		F	218	90.5	4	3	8.5	115.5	R		
		SENDA SR	50	2001	→		F	218	90.5	4	3	8.5	115.5	R		
FMD0312	CAGIVA	SENDA SUPERMOTARD	50	1997	→	1999	F	218	90.5	4	3	8.5	115.5	R		
		YUMBO FDS SAVANNAH	50	1988	→		F	218	90.5	4	3	8.5	115.5	R		
		MITO	50	1998	→	2001	R	220	57.5	4	6	6.5	80.1	R		
FMD0313	DERBI	PRIMA R	75	1998	→	2001	R	220	57.5	4	6	6.5	80.1	R		
		GPR R	50	1997	→	2001	R	220	57.5	4	6	6.5	80.1	R		
FMD0315	BULTACO	ASTRO	50	1999	→	2000	R	218	62.5	3.5	3	10.3	80.1	R		
		LOBITO	50	1999	→	2013	R	218	62.5	3.5	3	10.3	80.1	R		
		LOBITO	50	2014	→		R	218	62.5	3.5	3	10.3	80.1	R		
		SENDA SM DRT	50	2002	→		R	218	62.5	3.5	3	10.3	80.1	R		
		CRW MOTARD	50	2003	→		R	218	62.5	3.5	3	10.3	80.1	R		
FMD0316	BETA	RK 6 T	50	1998	→		F	220	72.1	3.5	6	7	95.2	R		
FMD0316	RIEJU	DRAC AM	50	1997	→	1999	R	185	80.8	3.5	3	8.5	95.2	R		
		DRAC RR	50	1994	→	1996	R	185	80.8	3.5	3	8.5	95.2	R		
		RR AM 5	50	1997	→		R	185	80.8	3.5	3	8.5	95.2	R		
		RR AM 6 AUTOMIX	50	1997	→	2000	R	185	80.8	3.5	3	8.5	95.2	R		
		RR AM 6 SUPERMOTARD	50	1997	→	1998	R	185	80.8	3.5	3	8.5	95.2	R		
		MR	80	1995	→		R	185	80.8	3.5	3	8.5	95.2	R		
		RR	80	1997	→		R	185	80.8	3.5	3	8.5	95.2	R		
		RJ SUPERMOTARD	125	1999	→	2000	R	185	80.8	3.5	3	8.5	95.2	R		
		RR	125	1996	→		R	185	80.8	3.5	3	8.5	95.2	R		
		RR THUNDERFIRE	125	1999	→	2000	R	185	80.8	3.5	3	8.5	95.2	R		
FMD0317	BETA	MX R ENDURO	50	1995	→	1996	R	245	118.7	3	6	6.5	134	R		
		RK 6 - E	50	1995	→	1997	R	245	118.7	3	6	6.5	134	R		
		RK ADVENTURE	50	1995	→	1996	R	245	118.7	3	6	6.5	134	R		
FMD0318	SUZUKI	BURGMAN UH	125	2002	→	2006	R	220	64.5	4	4	10.5	86.1	R		
		BURGMAN UH	150	2002	→	2006	R	220	64.5	4	4	10.5	86.1	R		
FMD0319	MBK	KILIBRE	300	2003	→	2006	F	270	128.2	5	5	8.6	146	R		
FMD0320	YAMAHA	VERSITY XC	300	2003	→	2006	F	270	128.2	5	5	8.6	146	R		
		KILIBRE	300	2003	→	2006	R	240	92.2	5	4	8.6	114	R		
		X-CITY VP	125	2008	→	2011	R	240	92.2	5	4	8.6	114	R		
		X-MAX YP R	125	2006	→	2013	R	240	92.2	5	4	8.6	114	R		
		X-CITY VP	250	2007	→	2014	R	240	92.2	5	4	8.6	114	R		
		X-MAX YP R	250	2005	→	2013	R	240	92.2	5	4	8.6	114	R		
		X-MAX YP R SPORT	250	2011	→	2012	R	240	92.2	5	4	8.6	114	R		
		VERSITY XC	300	2003	→	2006	R	240	92.2	5	4	8.6	114	R		
		FMD0323	KYMCO	AGILITY 4T R 16	50	2008	→		F	260	88.1	4	5	10.5	110.1	R
				PEOPLE S	50	2005	→	2008	F	260	88.1	4	5	10.5	110.1	R
PEOPLE S 4T	50			2006	→	2008	F	260	88.1	4	5	10.5	110.1	R		
AGILITY R16	125			2008	→	2012	F	260	88.1	4	5	10.5	110.1	R		
PEOPLE EURO 2	125			2003	→	2004	F	260	88.1	4	5	10.5	110.1	R		
PEOPLE EURO 3	125			2007	→		F	260	88.1	4	5	10.5	110.1	R		
PEOPLE S	125			2005	→	2006	F	260	88.1	4	5	10.5	110.1	R		
PEOPLE S DD	125			2007	→	2008	F/R	260	88.1	4	5	10.5	110.1	R		
AGILITY R16	150			2008	→	2010	F	260	88.1	4	5	10.5	110.1	R		



CC

Front
Rear

Outside Dia (mm)

Inside Dia (mm)

Thickness (mm)

No. of Fixing hole

Fixing hole dia. (mm)

Fix. hole centralise diam (mm)

DISC TYPE

Code	Brand	Model	Year	Year	Year	Front/Rear	Outside Dia (mm)	Inside Dia (mm)	Thickness (mm)	No. of Fixing hole	Fixing hole dia. (mm)	Fix. hole centralise diam (mm)	DISC TYPE
...FMD0323		PEOPLE S	200	2005	→ 2006	F	260	88.1	4	5	10.5	110.1	R
		PEOPLE S I	200	2007	→	F/R	260	88.1	4	5	10.5	110.1	R
		PEOPLE	250	2003	→ 2005	F/R	260	88.1	4	5	10.5	110.1	R
		PEOPLE S	250	2006	→	F/R	260	88.1	4	5	10.5	110.1	R
		PEOPLE S i	250	2007	→	F/R	260	88.1	4	5	10.5	110.1	R
		PEOPLE S I	300	2008	→	F/R	260	88.1	4	5	10.5	110.1	R
FMD0324	SUZUKI	BURGMAN UH	125	2002	→ 2006	F	220	100.5	4	3	10.5	119.5	R
		BURGMAN UH	150	2002	→ 2006	F	220	100.5	4	3	10.5	119.5	R
FMD0325	YAMAHA	TZR	50	1996	→ 2002	R	203	84.3	4.5	4	8.5	102	R
FMD0326	APRILIA	ATLANTIC	125	2003	→ 2011	F	240	105.2	5	5	6.4	120.5	R
		ARECIFE (spagna)	200	2003	→	F	240	105.2	5	5	6.4	120.5	R
		ATLANTIC	200	2003	→ 2005	F	240	105.2	5	5	6.4	120.5	R
		ATLANTIC	250	2003	→ 2006	F	240	105.2	5	5	6.4	120.5	R
		ATLANTIC	300	2010	→ 2011	F	240	105.2	5	5	6.4	120.5	R
	BENELLI	VELVET	250	1999	→	F	240	105.2	5	5	6.4	120.5	R
		VELVET TOURING	250	2001	→	F	240	105.2	5	5	6.4	120.5	R
		VELVET DUSK	400	2003	→	F	240	105.2	5	5	6.4	120.5	R
FMD0327	APRILIA	SR R FACTORY (motore Piaggio)	50	2004	→ 2005	R	189.5	69.5	4	3	8.4	124.4	R
		ATLANTIC	125	2003	→ 2011	R	189.5	69.5	4	3	8.4	124.4	R
		ARECIFE (spagna)	200	2003	→	R	189.5	69.5	4	3	8.4	124.4	R
		ATLANTIC	200	2003	→ 2005	R	189.5	69.5	4	3	8.4	124.4	R
		ATLANTIC	250	2003	→ 2006	R	189.5	69.5	4	3	8.4	124.4	R
		ATLANTIC	300	2010	→ 2011	R	189.5	69.5	4	3	8.4	124.4	R
FMD0328	KAWASAKI	KL TENGAI	650	1989	→ 1992	F	280	130.1	5	9	10.6	146.3	R
		KLR	650	1995	→ 2004	F	280	130.1	5	9	10.6	146.3	R
FMD0330	SHERCO	SE ENDURO 2.5 I	250	2006	→ 2011	F	270	120.2	3	4	10	135	R
		ENDURO 4.5 I	450	2004	→ 2011	F	270	120.2	3	4	10	135	R
		SE ENDURO 5.1 I	510	2006	→ 2011	F	270	120.2	3	4	10	135	R
FMD0331	BETA	REV 3	125	2000	→ 2008	R	165	41.9	3	4	10.5	60	R
		REV 3	200	2000	→ 2008	R	165	41.9	3	4	10.5	60	R
		REV 3	250	2000	→ 2008	R	165	41.9	3	4	10.5	60	R
		REV 3	270	2000	→ 2008	R	165	41.9	3	4	10.5	60	R
FMD0332	GAS GAS	TXT PRO RACING	125	2014	→	F	185	69.4	3	4	15.6	92	R
		TXT PRO RACING	250	2014	→	F	185	69.4	3	4	15.6	92	R
		TXT PRO RACING	280	2014	→	F	185	69.4	3	4	15.6	92	R
		TXT PRO RACING	300	2014	→	F	185	69.4	3	4	15.6	92	R
	MONTESA	COTA 4RT	250	2005	→ 2013	F	185	69.4	3	4	15.6	92	R
		COTA 4RT	260	2014	→ 2015	F	185	69.4	3	4	15.6	92	R
		COTA 4RT	260	2015	→	F	185	69.4	3	4	15.6	92	R
	SHERCO	CITY CORP 4T ENDURO	125	2003	→	F	185	69.4	3	4	15.6	92	R
		CITY CORP 4T SM	125	2003	→	F	185	69.4	3	4	15.6	92	R
		TRIAL	125	1999	→	F	185	69.4	3	4	15.6	92	R
		TRIAL 1.25	125	2006	→	F	185	69.4	3	4	15.6	92	R
		TRIAL 2.5	250	2001	→	F	185	69.4	3	4	15.6	92	R
		TRIAL 2.9	290	2001	→	F	185	69.4	3	4	15.6	92	R
		TRIAL 3.2 4T	320	2005	→	F	185	69.4	3	4	15.6	92	R
	VERTIGO	COMBAT CAMO	300	2015	→	F	185	69.4	3	4	15.6	92	R
		COMBAT ICE HELL	300	2015	→	F	185	69.4	3	4	15.6	92	R
FMD0333	SHERCO	CITY CORP 4T ENDURO	125	2003	→	R	150	46.9	3	4	6.5	60	R
		CITY CORP 4T SM	125	2003	→	R	150	46.9	3	4	6.5	60	R
		TRIAL	125	1999	→	R	150	46.9	3	4	6.5	60	R
		TRIAL 1.25	125	2006	→	R	150	46.9	3	4	6.5	60	R
		TRIAL 2.5	250	2001	→	R	150	46.9	3	4	6.5	60	R
		TRIAL 2.9	290	2001	→	R	150	46.9	3	4	6.5	60	R
		TRIAL 3.2 4T	320	2005	→	R	150	46.9	3	4	6.5	60	R
FMD0334	SUZUKI	BURGMAN AN	250	2003	→ 2006	F	260	121.2	4.4	5	10.3	141.9	R
		BURGMAN AN	400	2003	→ 2006	F	260	121.2	4.4	5	10.3	141.9	R
		BURGMAN AN	400	2007	→ 2015	F	260	121.2	4.4	5	10.3	141.9	R
		BURGMAN AN	650	2004	→ 2011	F	260	121.2	4.4	5	10.3	141.9	R
		BURGMAN AN	650	2012	→	F	260	121.2	4.4	5	10.3	141.9	R
FMD0335	BETA	RR	250	2005	→ 2012	R	240	112.5	4	4	10.4	130	R
		RR ENDURO	350	2012	→ 2013	R	240	112.5	4	4	10.4	130	R
		RR	400	2005	→ 2012	R	240	112.5	4	4	10.4	130	R
		RR	450	2005	→ 2012	R	240	112.5	4	4	10.4	130	R
		RR CROSS COUNTRY	450	2012	→	R	240	112.5	4	4	10.4	130	R
		RR	525	2005	→ 2012	R	240	112.5	4	4	10.4	130	R
	SHERCO	SE ENDURO 2.5 I	250	2006	→ 2011	R	240	112.5	4	4	10.4	130	R
		ENDURO 4.5 I	450	2004	→ 2011	R	240	112.5	4	4	10.4	130	R
		SE ENDURO 5.1 I	510	2006	→ 2011	R	240	112.5	4	4	10.4	130	R
FMD0338	HARLEY D.	V-ROD VRSCB	1130	2004	→ 2006	F	292	170.2	5	5	13.5	172.5	R
		VRSCA V-ROD	1130	2002	→ 2005	F	292	170.2	5	5	13.5	172.5	R
FMD0339	HARLEY D.	V-ROD VRSCB	1130	2004	→ 2006	R	292	101.5	5	5	11	126.5	RF
		VRSCA V-ROD	1130	2002	→ 2005	R	292	101.5	5	5	11	126.5	RF
FMD0340	KAWASAKI	KLX	250	1993	→ 1994	R	230	100.3	4	6	10.5	116	R
		KLX R	250	1993	→ 1994	R	230	100.3	4	6	10.5	116	R
		KLX	650	1993	→ 1996	R	230	100.3	4	6	10.5	116	R
FMD0341	KAWASAKI	ZRX	1100	1997	→ 2000	R	250	100.5	5	5	10.5	120	R
		ZRX R	1200	2001	→ 2006	R	250	100.5	5	5	10.5	120	R



CC

Front
Rear

Outside Dia (mm)

Inside Dia (mm)

Thickness (mm)

No. of Fixing hole

Fixing hole dia. (mm)

Fix. hole centreline diam (mm)

DISC TYPE

Code	Brand	Model	Capacity	Year	Direction	Outside Dia (mm)	Inside Dia (mm)	Thickness (mm)	No. of Fixing hole	Fixing hole dia. (mm)	Fix. hole centreline diam (mm)	DISC TYPE
...FMD0341		ZRX R - S	1200	2007 → 2008	R	250	100.5	5	5	10.5	120	R
		ZRX S	1200	2001 → 2006	R	250	100.5	5	5	10.5	120	R
FMD0342	SUZUKI	RM	85	2005 → 2007	R	200	84.5	3	4	6.5	100	R
FMD0349	SUZUKI	GSX F	600	2004 → 2006	F	290	69	5	5	10.5	91	RX
		GSF BANDIT	650	2005 → 2006	F	290	69	5	5	10.5	91	RX
		GSF BANDIT S	650	2005 → 2006	F	290	69	5	5	10.5	91	RX
		SV	650	2003 → 2010	F	290	69	5	5	10.5	91	RX
		SV S	650	2003 → 2009	F	290	69	5	5	10.5	91	RX
		GSX F	750	2004 → 2006	F	290	69	5	5	10.5	91	RX
FMD0350	KAWASAKI	ZX6R NINJA	600	2007 → 2014	F	300	80.5	5	5	10.5	100	RX
		ZX6RR NINJA	600	2005 → 2006	F	300	80.5	5	5	10.5	100	RX
		ZX6R 636 NINJA	636	2005 → 2006	F	300	80.5	5	5	10.5	100	RX
		ZX6R NINJA	636	2005 → 2006	F	300	80.5	5	5	10.5	100	RX
		ER6F	650	2006 → 2015	F	300	80.5	5	5	10.5	100	RX
		ER6N	650	2006 → 2015	F	300	80.5	5	5	10.5	100	RX
		VERSYS	650	2007 → 2014	F	300	80.5	5	5	10.5	100	RX
		Z 750	750	2007 → 2012	F	300	80.5	5	5	10.5	100	RX
		Z 750 ABS	750	2007 → 2012	F	300	80.5	5	5	10.5	100	RX
		Z 750 R	750	2011 → 2012	F	300	80.5	5	5	10.5	100	RX
		Z 750 R - ABS	750	2011 → 2012	F	300	80.5	5	5	10.5	100	RX
		VERSYS	1000	2012 → 2014	F	300	80.5	5	5	10.5	100	RX
		VERSYS ABS	1000	2015 →	F	300	80.5	5	5	10.5	100	RX
		Z 1000	1000	2007 → 2015	F	300	80.5	5	5	10.5	100	RX
		Z 1000 - ABS	1000	2007 → 2013	F	300	80.5	5	5	10.5	100	RX
		Z 1000 SX	1000	2011 → 2015	F	300	80.5	5	5	10.5	100	RX
		Z 1000 SX ABS	1000	2011 → 2015	F	300	80.5	5	5	10.5	100	RX
		ZX-10R	1000	2004 → 2007	F	300	80.5	5	5	10.5	100	RX
FMD0352	APRILIA	RSV	1000	2001 → 2002	F	320	64	5	6	8.5	80	RX
		RSV	1000	2002 → 2003	F	320	64	5	6	8.5	80	RX
		RSV FACTORY	1000	2003 → 2007	F	320	64	5	6	8.5	80	RX
		RSV R	1000	2001 → 2005	F	320	64	5	6	8.5	80	RX
		RSV R	1000	2005 → 2008	F	320	64	5	6	8.5	80	RX
		RSV4 FACTORY	1000	2009 → 2010	F	320	64	5	6	8.5	80	RX
		RSV4 FACTORY APRC	1000	2011 → 2012	F	320	64	5	6	8.5	80	RX
		RSV4 R	1000	2009 → 2012	F	320	64	5	6	8.5	80	RX
		RSV4 R	1000	2010 → 2011	F	320	64	5	6	8.5	80	RX
		RSV4 R	1000	2011 → 2012	F	320	64	5	6	8.5	80	RX
		TUONO	1000	2002 → 2005	F	320	64	5	6	8.5	80	RX
		TUONO R (4 pads per caliper)	1000	2003 → 2005	F	320	64	5	6	8.5	80	RX
		TUONO V4 FACTORY	1100	2015 →	F	320	64	5	6	8.5	80	RX
		TUONO V4 RR	1100	2015 →	F	320	64	5	6	8.5	80	RX
	BENELLI	TORNADO TRE	900	2003 → 2006	F	320	64	5	6	8.5	80	RX
		TORNADO TRE RS	900	2004 → 2006	F	320	64	5	6	8.5	80	RX
		CAFE RACER	1130	2006 → 2015	F	320	64	5	6	8.5	80	RX
		TITANIUM	1130	2005 → 2007	F	320	64	5	6	8.5	80	RX
		TNT RS	1130	2005 → 2007	F	320	64	5	6	8.5	80	RX
		TORNADO	1130	2006 →	F	320	64	5	6	8.5	80	RX
	BIMOTA	SB8K SANTAMONICA	1000	2006 →	F	320	64	5	6	8.5	80	RX
	DUCATI	998 S (four pads)	998	2002 → 2003	F	320	64	5	6	8.5	80	RX
	KTM	SUPERMOTO PRESTIGE	690	2007 → 2008	F	320	64	5	6	8.5	80	RX
		SUPERDUKE	990	2005 → 2007	F	320	64	5	6	8.5	80	RX
	YAMAHA	YZF R	750	1993 → 1997	F	320	64	5	6	8.5	80	RX
		YZF SP	750	1993 → 1997	F	320	64	5	6	8.5	80	RX
FMD0353	BOMBARDIER	DS X	650	2001 → 2002	F	165	48.5	4	4	8.3	66	R
FMD0355	HONDA	TRX X	250	1987 → 1992	R	220	58	4	3	8.5	80	R
		TRX X	250	1988 → 1992	R	220	58	4	3	8.5	80	R
		TRX EX	300	1993 → 2006	R	220	58	4	3	8.5	80	R
		TRX EX	300	2007 → 2008	R	220	58	4	3	8.5	80	R
		TRX EX SPORTRAX	300	2001 →	R	220	58	4	3	8.5	80	R
FMD0357	KAWASAKI	KFX	400	2002 → 2006	F	170	48	3.5	3	10.5	68	R
	SUZUKI	LT Z	250	2005 → 2007	F	170	48	3.5	3	10.5	68	R
		LT Z QUADSPORT	400	2002 → 2009	F	170	48	3.5	3	10.5	68	R
		LT R QUADRACER	500	1987 → 1990	F	170	48	3.5	3	10.5	68	R
FMD0361	SUZUKI	BURGMAN AN	250	2003 → 2006	R	210	120.2	5	6	6.2	135	R
		BURGMAN AN	400	2003 → 2006	R	210	120.2	5	6	6.2	135	R
FMD0362	SUZUKI	BURGMAN AN	650	2004 → 2011	R	250	58.3	5.5	5	10.3	137.3	R
		BURGMAN AN	650	2012 →	R	250	58.3	5.5	5	10.3	137.3	R
FMD0363	MBK	YW BOOSTER	100	1999 → 2001	F	180	48	4	3	8.6	66	R
		XC FLAME R	125	1996 → 1999	F	180	48	4	3	8.6	66	R
	YAMAHA	BW S	100	1999 → 2001	F	180	48	4	3	8.6	66	R
		CYGNUS R XC	125	1999 → 2003	F	180	48	4	3	8.6	66	R
		CYGNUS R XC K	125	1997 → 1998	F	180	48	4	3	8.6	66	R
		FLY ONE R XC	150	1998 →	F	180	48	4	3	8.6	66	R
FMD0365	DERBI	GPR NUDE	50	2006 → 2008	F	300	90.5	4	6	6.5	101.6	R
		GPR NUDE SPORT	50	2008 →	F	300	90.5	4	6	6.5	101.6	R
		GPR NUDE TUNING	50	2006 → 2008	F	300	90.5	4	6	6.5	101.6	R
		GPR R DRD PRO EU2	50	2005 → 2009	F	300	90.5	4	6	6.5	101.6	R
		GPR R EU2 - REPLICA EU2	50	2008 →	F	300	90.5	4	6	6.5	101.6	R

12040



CC

Front
Rear

Outside Dia (mm)

Inside Dia (mm)

Thickness (mm)

No. of Fixing hole

Fixing hole dia. (mm)

Fix. hole centreline diam (mm)

DISC TYPE

Code	Brand	Model	Capacity	Year	Direction	Front	Outside Dia (mm)	Inside Dia (mm)	Thickness (mm)	No. of Fixing hole	Fixing hole dia. (mm)	Fix. hole centreline diam (mm)	Disc Type
...FMD0365		GPR RACING EU2	50	2006	→	F	300	90.5	4	6	6.5	101.6	R
		GPR REPLICA - R EU2	50	2006	→	F	300	90.5	4	6	6.5	101.6	R
		GPR REPLICA 2T	50	2007	→	F	300	90.5	4	6	6.5	101.6	R
		GPR REPLICA PESEK EU2	50	2007	→	F	300	90.5	4	6	6.5	101.6	R
		GPR SM DRD PRO EU2	50	2005	→ 2008	F	300	90.5	4	6	6.5	101.6	R
		GPR NUDE	125	2004	→ 2006	F	300	90.5	4	6	6.5	101.6	R
		GPR RACING	125	2004	→ 2006	F	300	90.5	4	6	6.5	101.6	R
		RMZ	250	2007	→ 2015	R	240	122.2	4	4	10	140	R
		RMX EFI	450	2010	→ 2012	R	240	122.2	4	4	10	140	R
		RMZ	450	2005	→ 2007	R	240	122.2	4	4	10	140	R
FMD0366	SUZUKI	RMZ EFI	450	2008	→ 2015	R	240	122.2	4	4	10	140	R
		FAZER 8	800	2010	→ 2012	R	267	132.2	5	5	8.6	150.2	R
		FZ8	800	2010	→ 2013	R	267	132.2	5	5	8.6	150.2	R
FMD0367	YAMAHA	PASSWORD	250	2005	→ 2006	F	270	90.1	5	6	6.5	101	R
		PASSWORD EU 3	250	2007	→ 2008	F	270	90.1	5	6	6.5	101	R
		SPIDERMAX GT	500	2004	→ 2005	F	270	90.1	5	6	6.5	101	R
FMD0369	MALAGUTI	SPIDERMAX GT EURO 3	500	2006	→	F	270	90.1	5	6	6.5	101	R
		SPIDERMAX RS	500	2008	→	F	270	90.1	5	6	6.5	101	R
		MADISON 3	125	2006	→ 2009	F/R	240	105.2	4	5	6.4	120	R
FMD0371	MALAGUTI	MADISON 3	250	2006	→ 2009	F/R	240	105.2	4	5	6.4	120	R
		PASSWORD	250	2005	→ 2006	R	240	105.2	4	5	6.4	120	R
		PASSWORD EU 3	250	2007	→ 2008	R	240	105.2	4	5	6.4	120	R
FMD0375	GAS GAS	TXT	125	2001	→ 2003	F	185	74	3	4	15.5	92	R
		TXT	200	2000	→ 2003	F	185	74	3	4	15.5	92	R
		TXT	250	2000	→ 2003	F	185	74	3	4	15.5	92	R
FMD0377	GAS GAS	TXT	280	2000	→ 2003	F	185	74	3	4	15.5	92	R
		TXT PRO	125	2004	→ 2013	F	185	74	3	4	6.6	92	R
		TXT PRO	200	2004	→ 2013	F	185	74	3	4	6.6	92	R
FMD0378	GAS GAS	TXT PRO	250	2004	→ 2013	F	185	74	3	4	6.6	92	R
		TXT	280	2004	→ 2013	F	185	74	3	4	6.6	92	R
		TXT	300	2004	→ 2009	F	185	74	3	4	6.6	92	R
FMD0381	SCORPA	TXT	125	2001	→ 2003	R	150	45.2	3	4	6.6	60	R
		TXT PRO	125	2004	→ 2013	R	150	45.2	3	4	6.6	60	R
		TXT PRO RACING	125	2014	→	R	150	45.2	3	4	6.6	60	R
		TXT	200	2000	→ 2003	R	150	45.2	3	4	6.6	60	R
		TXT PRO	200	2004	→ 2013	R	150	45.2	3	4	6.6	60	R
		TXT	250	2000	→ 2003	R	150	45.2	3	4	6.6	60	R
		TXT PRO	250	2004	→ 2013	R	150	45.2	3	4	6.6	60	R
		TXT PRO RACING	250	2014	→	R	150	45.2	3	4	6.6	60	R
		TXT	280	2000	→ 2003	R	150	45.2	3	4	6.6	60	R
		TXT	280	2004	→ 2013	R	150	45.2	3	4	6.6	60	R
		TXT PRO RACING	280	2014	→	R	150	45.2	3	4	6.6	60	R
		TXT	300	2004	→ 2009	R	150	45.2	3	4	6.6	60	R
		TXT PRO RACING	300	2014	→	R	150	45.2	3	4	6.6	60	R
		COTA 4RT	250	2005	→ 2013	R	150	45.2	3	4	6.6	60	R
		COTA 4RT	260	2014	→ 2015	R	150	45.2	3	4	6.6	60	R
COTA 4RT	260	2015	→	R	150	45.2	3	4	6.6	60	R		
FMD0382	SCORPA	COMBAT CAMO	300	2015	→	R	150	45.2	3	4	6.6	60	R
		COMBAT ICE HELL	300	2015	→	R	150	45.2	3	4	6.6	60	R
		SY F	125	2003	→	F	183	68	3	4	16	92	R
		TY (4T)	125	2005	→	F	183	68	3	4	16	92	R
		SY F RACING	175	2005	→	F	183	68	3	4	16	92	R
		SY	250	2000	→	F	183	68	3	4	16	92	R
		SY LONG RIDE	250	2004	→	F	183	68	3	4	16	92	R
		SY R	250	2005	→	F	183	68	3	4	16	92	R
		SY F	125	2003	→	R	144	45.2	3	4	6	60	R
		TY (4T)	125	2005	→	R	144	45.2	3	4	6	60	R
FMD0389	DUCATI	SY F RACING	175	2005	→	R	144	45.2	3	4	6	60	R
		SY	250	2000	→	R	144	45.2	3	4	6	60	R
		SY LONG RIDE	250	2004	→	R	144	45.2	3	4	6	60	R
		SY R	250	2005	→	R	144	45.2	3	4	6	60	R
		749	748	2003	→ 2006	R	240	107	4	5	8.5	125	R
		749 DARK	748	2004	→ 2006	R	240	107	4	5	8.5	125	R
		749 R	748	2004	→ 2006	R	240	107	4	5	8.5	125	R
		749 S	748	2003	→ 2006	R	240	107	4	5	8.5	125	R
		999	998	2003	→ 2006	R	240	107	4	5	8.5	125	R
		999 S	998	2002	→ 2007	R	240	107	4	5	8.5	125	R
FMD0390	DUCATI	999 S	998	2003	→ 2004	R	240	107	4	5	8.5	125	R
		999 R	999	2003	→ 2006	R	240	107	4	5	8.5	125	R
		MONSTER	795	2013	→	R	245	108.3	5	4	8.5	125	R
		HYPERMOTARD 796	800	2010	→ 2012	R	245	108.3	5	4	8.5	125	R
		MONSTER 796	800	2011	→ 2014	R	245	108.3	5	4	8.5	125	R
		MONSTER S2R	800	2005	→ 2007	R	245	108.3	5	4	8.5	125	R
		MONSTER S2R DARK	800	2005	→ 2006	R	245	108.3	5	4	8.5	125	R
		848	848	2008	→ 2010	R	245	108.3	5	4	8.5	125	R
		STREETFIGHTER	848	2012	→	R	245	108.3	5	4	8.5	125	R
		STREETFIGHTER S	848	2012	→	R	245	108.3	5	4	8.5	125	R
848 EVO	850	2011	→ 2012	R	245	108.3	5	4	8.5	125	R		



CC

Front
Rear

Outside Dia (mm)

Inside Dia (mm)

Thickness (mm)

No. of Fixing hole

Fixing hole dia. (mm)

Fix. hole centralise diam (mm)

DISC TYPE

Code	Brand	Model	CC	Year	Front/Rear	Outside Dia (mm)	Inside Dia (mm)	Thickness (mm)	No. of Fixing hole	Fixing hole dia. (mm)	Fix. hole centralise diam (mm)	DISC TYPE	
...FMD0390		MONSTER S4R	996	2003 → 2006	R	245	108.3	5	4	8.5	125	R	
		S4R Testastretta MONSTER	998	2007 →	R	245	108.3	5	4	8.5	125	R	
		S4RS Testastretta MONSTER	998	2006 → 2007	R	245	108.3	5	4	8.5	125	R	
		MONSTER S2R	1000	2006 → 2007	R	245	108.3	5	4	8.5	125	R	
		MONSTER S2R	1000	2007 → 2008	R	245	108.3	5	4	8.5	125	R	
		MONSTER S4R	1000	2007 → 2008	R	245	108.3	5	4	8.5	125	R	
		MONSTER S4RS	1000	2006 → 2008	R	245	108.3	5	4	8.5	125	R	
		MONSTER S4RS TRICOLORE	1000	2008 →	R	245	108.3	5	4	8.5	125	R	
		MULTISTRADA	1000	2003 → 2006	R	245	108.3	5	4	8.5	125	R	
		MULTISTRADA DS	1000	2005 →	R	245	108.3	5	4	8.5	125	R	
		MULTISTRADA DS S	1000	2005 →	R	245	108.3	5	4	8.5	125	R	
		MULTISTRADA S	1000	2006 →	R	245	108.3	5	4	8.5	125	R	
		HYPERMOTARD	1100	2008 → 2009	R	245	108.3	5	4	8.5	125	R	
		HYPERMOTARD EVO	1100	2011 → 2012	R	245	108.3	5	4	8.5	125	R	
		HYPERMOTARD EVO SP	1100	2010 → 2012	R	245	108.3	5	4	8.5	125	R	
		HYPERMOTARD S	1100	2008 → 2009	R	245	108.3	5	4	8.5	125	R	
		MONSTER 1100 - ABS	1100	2009 → 2010	R	245	108.3	5	4	8.5	125	R	
		MONSTER 1100 S	1100	2009 → 2010	R	245	108.3	5	4	8.5	125	R	
		MONSTER DIESEL	1100	2013 →	R	245	108.3	5	4	8.5	125	R	
		MONSTER EVO	1100	2012 → 2013	R	245	108.3	5	4	8.5	125	R	
		MONSTER EVO - EVO ABS	1100	2012 → 2013	R	245	108.3	5	4	8.5	125	R	
		MONSTER EVO ANNIVERSARY	1100	2013 →	R	245	108.3	5	4	8.5	125	R	
		MONSTER S ABS	1100	2010 →	R	245	108.3	5	4	8.5	125	R	
		MULTISTRADA	1100	2007 → 2009	R	245	108.3	5	4	8.5	125	R	
		MULTISTRADA S	1100	2007 → 2009	R	245	108.3	5	4	8.5	125	R	
	FMD0391	HARLEY D.	FLSTF/I FAT BOY	1450	2003 → 2006	F	292	56	5	5	8.5	82.5	RF
	FMD0393	SUZUKI	GSX R	600	2006 → 2007	F	310	100	5	5	10.5	120	RX
			GSX R (Rad.cal)	600	2006 → 2007	F	310	100	5	5	10.5	120	RX
			GSX R	750	2006 → 2007	F	310	100	5	5	10.5	120	RX
			GSX R (Rad.cal)	750	2006 → 2007	F	310	100	5	5	10.5	120	RX
			GSX R	1000	2005 → 2008	F	310	100	5	5	10.5	120	RX
			GSX R (Rad.cal)	1000	2005 → 2008	F	310	100	5	5	10.5	120	RX
	FMD0394	YAMAHA	YZF R6	600	2005 → 2015	F	310	132	5	5	8.5	150	RX
		FAZER 8	800	2010 → 2012	F	310	132	5	5	8.5	150	RX	
		FZ8	800	2010 → 2013	F	310	132	5	5	8.5	150	RX	
		YZF R1	1000	2007 → 2011	F	310	132	5	5	8.5	150	RX	
		XT Z SUPER TENERE	1200	2010 → 2015	F	310	132	5	5	8.5	150	RX	
		XT ZE SUPER TENERE	1200	2014 → 2015	F	310	132	5	5	8.5	150	RX	
FMD0396	SUZUKI	RMZ	250	2007 → 2015	F	250	118.2	3	4	9.3	134	R	
		RMX EFI	450	2010 → 2012	F	250	118.2	3	4	9.3	134	R	
		RMZ	450	2005 → 2007	F	250	118.2	3	4	9.3	134	R	
		RMZ EFI	450	2008 → 2015	F	250	118.2	3	4	9.3	134	R	
FMD0397	YAMAHA	CYGNUS X NXC	125	2004 → 2006	F	220	82	4	5	8.3	148	R	
FMD0398	PIAGGIO	MP3 125	125	2006 → 2008	F	240	105.1	4	6	6.5	120	R	
		MP3 IBRIDO	125	2009 → 2010	F	240	105.1	4	6	6.5	120	R	
		MP3 IE	125	2008 → 2009	F	240	105.1	4	6	6.5	120	R	
		MP3 IE TOURING	125	2011 → 2012	F	240	105.1	4	6	6.5	120	R	
		MP3 YOURBAN ERL	125	2011 → 2013	F	240	105.1	4	6	6.5	120	R	
		MP3	250	2006 → 2008	F	240	105.1	4	6	6.5	120	R	
		MP3 LT	250	2008 → 2009	F	240	105.1	4	6	6.5	120	R	
		MP3 MIC	250	2008 → 2009	F	240	105.1	4	6	6.5	120	R	
		MP3 4T 4V IE ERL IBRIDO	300	2010 → 2013	F	240	105.1	4	6	6.5	120	R	
		MP3 4T 4V IE LT IBRIDO	300	2010 → 2011	F	240	105.1	4	6	6.5	120	R	
		MP3 IE LT	300	2010 → 2011	F	240	105.1	4	6	6.5	120	R	
		MP3 IE LT - IE LT SPORT	300	2011 → 2013	F	240	105.1	4	6	6.5	120	R	
		MP3 IE LT TOURING	300	2011 → 2013	F	240	105.1	4	6	6.5	120	R	
		MP3 IE MIC	300	2010 → 2011	F	240	105.1	4	6	6.5	120	R	
		MP3 IE TOURING	300	2011 → 2012	F	240	105.1	4	6	6.5	120	R	
		MP3 YOURBAN ERL	300	2011 → 2015	F	240	105.1	4	6	6.5	120	R	
		MP3 YOURBAN LT ERL	300	2011 → 2012	F	240	105.1	4	6	6.5	120	R	
		MP3	400	2007 → 2008	F	240	105.1	4	6	6.5	120	R	
		MP3 IE LT - IE LT SPORT	400	2008 → 2010	F	240	105.1	4	6	6.5	120	R	
		MP3 IE LT TOURING	400	2011 →	F	240	105.1	4	6	6.5	120	R	
		MP3 LT	400	2009 →	F	240	105.1	4	6	6.5	120	R	
		MP3 MIC	400	2008 → 2010	F	240	105.1	4	6	6.5	120	R	
		MP3 RL TOURING	400	2011 →	F	240	105.1	4	6	6.5	120	R	
		MP3 LT SPORT - BUSINESS	500	2011 → 2013	F	240	105.1	4	6	6.5	120	R	
		MP3 RL SPORT - BUSINESS	500	2011 → 2012	F	240	105.1	4	6	6.5	120	R	
FMD0399	KTM	SX	85	2003 → 2006	F	220	95	3	4	6.2	110	R	
		SX	105	2004 → 2007	F	220	95	3	4	6.2	110	R	
FMD0400	KTM	SX	85	2003 → 2010	R	200	110	3	4	6.2	124.5	R	
		SX	85	2003 → 2006	R	200	110	3	4	6.2	124.5	R	
		XC	85	2007 → 2009	R	200	110	3	4	6.2	124.5	R	
		SX	105	2004 → 2007	R	200	110	3	4	6.2	124.5	R	
		SX	105	2008 → 2010	R	200	110	3	4	6.2	124.5	R	
		SX	105	2011 →	R	200	110	3	4	6.2	124.5	R	
		XC	105	2008 → 2010	R	200	110	3	4	6.2	124.5	R	
FMD0401	APRILIA	SXV	450	2005 → 2007	F	320	105	5	5	6.5	120	RX	



CC

Front
Rear

Outside Dia (mm)

Inside Dia (mm)

Thickness (mm)

No. of Fixing hole

Fixing hole dia. (mm)

Fix. hole centreline diam (mm)

DISC TYPE

Code	Brand	Model	Capacity	Year	Front/Rear	Outside Dia (mm)	Inside Dia (mm)	Thickness (mm)	No. of Fixing hole	Fixing hole dia. (mm)	Fix. hole centreline diam (mm)	Disc Type
...FMD0401		SXV	550	2005 → 2007	F	320	105	5	5	6.5	120	RX
FMD0402	TM	all models	125	2001 → 2004	R	243	114	4.5	4	6.5	128	R
		250 F	250	2001 → 2004	R	243	114	4.5	4	6.5	128	R
		all models	250	2001 → 2004	R	243	114	4.5	4	6.5	128	R
		ENDURO F	250	2001 → 2004	R	243	114	4.5	4	6.5	128	R
		all models	300	2001 → 2004	R	243	114	4.5	4	6.5	128	R
		MX F	450	2002 → 2004	R	243	114	4.5	4	6.5	128	R
		MX F	530	2002 → 2004	R	243	114	4.5	4	6.5	128	R
FMD0403	HONDA	ST PAN EUROPEAN	1100	1990 → 1991	R	316	184.2	7.5	6	10.7	206	R
		ST PAN EUROPEAN	1100	1991 → 1996	R	316	184.2	7.5	6	10.7	206	R
		ST PAN EUROPEAN ABS	1100	1992 → 1995	R	316	184.2	7.5	6	10.7	206	R
		ST PAN EUROPEAN ABS-TCS-CBS	1100	1996 → 1997	R	316	184.2	7.5	6	10.7	206	R
		GL GOLDWING	1500	1990 → 2000	R	316	184.2	7.5	6	10.7	206	R
FMD0404	HONDA	HM CRE DERAPAGE	50	2001 → 2009	F	240	124	3	6	6.5	138	R
		HM CRE DERAPAGE RR	50	2007 → 2009	F	240	124	3	6	6.5	138	R
FMD0405	YAMAHA	FZ6 FAZER	600	2004 → 2007	R	245	105	5	5	10.5	125	R
		FZ6 FAZER S2	600	2007 → 2008	R	245	105	5	5	10.5	125	R
		FZ6 FAZER S2	600	2008 → 2009	R	245	105	5	5	10.5	125	R
		FZ6 S2	600	2007 → 2009	R	245	105	5	5	10.5	125	R
		MT03	660	2006 → 2011	R	245	105	5	5	10.5	125	R
		MT03	660	2012 →	R	245	105	5	5	10.5	125	R
		FZ1	1000	2006 → 2012	R	245	105	5	5	10.5	125	R
		FZ1 FAZER	1000	2006 → 2012	R	245	105	5	5	10.5	125	R
		FZ1 FAZER ABS	1000	2007 → 2012	R	245	105	5	5	10.5	125	R
FMD0406	APRILIA	RXV 4.5	450	2005 →	R	240	102	4	5	10.5	120	R
		SXV	450	2005 → 2007	R	240	102	4	5	10.5	120	R
		SXV	450	2008 →	R	240	102	4	5	10.5	120	R
		RXV 5.5	550	2005 →	R	240	102	4	5	10.5	120	R
		SXV	550	2005 → 2007	R	240	102	4	5	10.5	120	R
		SXV	550	2008 →	R	240	102	4	5	10.5	120	R
FMD0407	BMW	F 650 GS	650	2008 → 2011	R	265	136.5	5	5	10.5	160	R
		F 650 GS ABS	650	2008 → 2011	R	265	136.5	5	5	10.5	160	R
		F 650 GS	800	2008 → 2012	R	265	136.5	5	5	10.5	160	R
		F 650 GS ABS	800	2008 → 2011	R	265	136.5	5	5	10.5	160	R
		F 700 GS	800	2013 → 2014	R	265	136.5	5	5	10.5	160	R
		F 800 GS	800	2009 → 2015	R	265	136.5	5	5	10.5	160	R
		F 800 GS ADVENTURE	800	2013 → 2015	R	265	136.5	5	5	10.5	160	R
		F 800 GT	800	2013 → 2015	R	265	136.5	5	5	10.5	160	R
		F 800 R	800	2009 → 2015	R	265	136.5	5	5	10.5	160	R
		F 800 S	800	2006 → 2010	R	265	136.5	5	5	10.5	160	R
		F 800 ST	800	2006 → 2012	R	265	136.5	5	5	10.5	160	R
		HP2	1200	2006 → 2009	R	265	136.5	5	5	10.5	160	R
		HP2 Megamoto	1200	2007 → 2010	R	265	136.5	5	5	10.5	160	R
		HP2 SPORT	1200	2008 → 2011	R	265	136.5	5	5	10.5	160	R
		K 1200 R	1200	2004 → 2008	R	265	136.5	5	5	10.5	160	R
		K 1200 S / ABS	1200	2004 → 2007	R	265	136.5	5	5	10.5	160	R
		R 1200 GS	1200	2004 → 2012	R	265	136.5	5	5	10.5	160	R
		R 1200 GS - ABS	1200	2004 → 2012	R	265	136.5	5	5	10.5	160	R
		R 1200 GS ADVENTURE	1200	2006 → 2013	R	265	136.5	5	5	10.5	160	R
		R 1200 GS ADVENTURE	1200	2014 →	R	265	136.5	5	5	10.5	160	R
		R 1200 R	1200	2006 → 2015	R	265	136.5	5	5	10.5	160	R
		R 1200 RT	1200	2005 → 2013	R	265	136.5	5	5	10.5	160	R
		R 1200 S	1200	2006 → 2008	R	265	136.5	5	5	10.5	160	R
		R 1200 ST	1200	2005 → 2008	R	265	136.5	5	5	10.5	160	R
		R NINE T	1200	2014 → 2015	R	265	136.5	5	5	10.5	160	R
		K 1300 R - ABS	1300	2008 → 2014	R	265	136.5	5	5	10.5	160	R
		K 1300 S	1300	2009 → 2014	R	265	136.5	5	5	10.5	160	R
	HARLEY D. HUSQVARNA	FXD DYNA STREET BOB	1584	2006 → 2010	R	265	136.5	5	5	10.5	160	R
		NUDA	900	2012 → 2013	R	265	136.5	5	5	10.5	160	R
		NUDA R	900	2012 → 2013	R	265	136.5	5	5	10.5	160	R
		NUDA R ABS	900	2013 →	R	265	136.5	5	5	10.5	160	R
FMD0409	HONDA	FORZA X NSS	250	2008 →	F	256	144.4	5	6	10.5	166	R
		FORZA XE NSS	250	2008 →	F	256	144.4	5	6	10.5	166	R
		SH i	300	2006 → 2014	F/R	256	144.4	5	6	10.5	166	R
		SH i ABS	300	2006 →	F/R	256	144.4	5	6	10.5	166	R
		VF F	500	1984 → 1987	F/R	256	144.4	5	6	10.5	166	R
		CBR F-FP	1000	1993 → 1999	R	256	144.4	5	6	10.5	166	R
		XLV VARADERO	1000	2003 → 2011	R	256	144.4	5	6	10.5	166	R
		XLV VARADERO ABS	1000	2004 → 2011	R	256	144.4	5	6	10.5	166	R
		CB SF X ELEVEN (X11)	1100	2000 → 2003	R	256	144.4	5	6	10.5	166	R
		CBR XX	1100	1997 → 1998	R	256	144.4	5	6	10.5	166	R
		CBR XX	1100	1999 → 2004	R	256	144.4	5	6	10.5	166	R
		CBR XX	1100	2005 → 2007	R	256	144.4	5	6	10.5	166	R
		CBR XX	1100	2007 → 2008	R	256	144.4	5	6	10.5	166	R
		CB F SUPER FOUR	1300	2003 → 2004	R	256	144.4	5	6	10.5	166	R
		CB SUPER BOL DOR	1300	2005 → 2008	R	256	144.4	5	6	10.5	166	R
		CB SUPERFOUR	1300	2005 → 2009	R	256	144.4	5	6	10.5	166	R
FMD0410	KAWASAKI	ZX6R NINJA	636	2013 → 2015	F	310	80.5	5	5	10.5	100	RX



CC

Front
Rear

Outside Dia (mm)

Inside Dia (mm)

Thickness (mm)

No. of Fixing hole

Fixing hole dia. (mm)

Fix. hole central dia (mm)

DISC TYPE

Code	Brand	Model	Capacity	Year	Direction	Front	Outside Dia (mm)	Inside Dia (mm)	Thickness (mm)	No. of Fixing hole	Fixing hole dia. (mm)	Fix. hole central dia (mm)	Disc Type	
...FMD0410		ZX6R NINJA ABS	636	2013	→	2015	F	310	80.5	5	5	10.5	100	RX
		Z 800	800	2013	→	2015	F	310	80.5	5	5	10.5	100	RX
		Z 800 ABS	800	2013	→	2015	F	310	80.5	5	5	10.5	100	RX
		Z 800e	800	2013	→	2015	F	310	80.5	5	5	10.5	100	RX
		Z 800e ABS	800	2013	→	2015	F	310	80.5	5	5	10.5	100	RX
		Z 1000 - ABS	1000	2014	→	2015	F	310	80.5	5	5	10.5	100	RX
		Z1000	1000	2014	→		F	310	80.5	5	5	10.5	100	RX
		Z1000 - ABS	1000	2014	→		F	310	80.5	5	5	10.5	100	RX
		ZX-10R	1000	2008	→	2015	F	310	80.5	5	5	10.5	100	RX
		ZX-10R ABS	1000	2011	→	2015	F	310	80.5	5	5	10.5	100	RX
		GTR	1400	2007	→	2015	F	310	80.5	5	5	10.5	100	RX
		ZZR	1400	2006	→	2007	F	310	80.5	5	5	10.5	100	RX
		ZZR ABS	1400	2008	→	2014	F	310	80.5	5	5	10.5	100	RX
FMD0411	HONDA	CBR RR	1000	2008	→	2015	F	320	94	5	6	6.5	115	RX
FMD0412	SUZUKI	CBR RR - ABS	1000	2009	→	2015	F	320	94	5	6	6.5	115	RX
		GSX R	600	2008	→	2014	F	310	102	5	6	8.15	120	RX
		GSX R	750	2008	→	2014	F	310	102	5	6	8.15	120	RX
		GSX R	1000	2009	→	2014	F	310	102	5	6	8.15	120	RX
FMD0413	BENELLI	ADIVA	125	2000	→	2002	R	220	96,1	4	5	6,6	107	R
		ADIVA	150	2000	→	2002	R	220	96,1	4	5	6,6	107	R
FMD0414	PEUGEOT	METAL X 50	50	2002	→		F	190	58,2	4	3	10,5	80	R
FMD0415	PEUGEOT	LOOXOR	100	2001	→		R	190	58,2	4	3	10,5	80	R
		LOOXOR	50	2001	→	2005	F	226	105	4	5	6,3	120	R
		LOOXOR	50	2006	→		F	226	105	4	5	6,3	120	R
		LOOXOR	125	2002	→		F	226	105	4	5	6,3	120	R
FMD0416	SYM	LOOXOR	150	2002	→	2003	F	226	105	4	5	6,3	120	R
		EURO MX	125	2002	→		F	273	173,1	4	5	10,6	250	R
		EURO MX E2	125	2003	→	2004	F	273	173,1	4	5	10,6	250	R
		JOYRIDE	125	2001	→	2004	F	273	173,1	4	5	10,6	250	R
		JOYRIDE EURO 2	125	2005	→	2006	F	273	173,1	4	5	10,6	250	R
		JOYRIDE EURO 3	125	2007	→	2009	F	273	173,1	4	5	10,6	250	R
		JOYRIDE EVO	125	2010	→		F	273	173,1	4	5	10,6	250	R
		SHARK	125	1999	→		F	273	173,1	4	5	10,6	250	R
		SHARK	125	2000	→		F	273	173,1	4	5	10,6	250	R
		VS	125	2006	→		F	273	173,1	4	5	10,6	250	R
		VS EURO 3	125	2007	→	2008	F	273	173,1	4	5	10,6	250	R
		EURO MX	150	2002	→		F	273	173,1	4	5	10,6	250	R
		EURO MX EU 2	150	2003	→	2004	F	273	173,1	4	5	10,6	250	R
		JOYRIDE	150	2001	→	2002	F	273	173,1	4	5	10,6	250	R
		SHARK	150	2000	→	2001	F	273	173,1	4	5	10,6	250	R
		VS	150	2007	→		F	273	173,1	4	5	10,6	250	R
		VS EURO 3	150	2007	→	2008	F	273	173,1	4	5	10,6	250	R
		JOY RIDE	200	2001	→	2004	F	273	173,1	4	5	10,6	250	R
FMD0417	SYM	JOY RIDE I EVO	200	2009	→	2010	F	273	173,1	4	5	10,6	250	R
		HD 125 EURO 2	125	2003	→	2004	F	220	97,2	4	5	10,8	120	R
		HD EVO	125	2005	→	2006	F	220	97,2	4	5	10,8	120	R
		HD EU 2	200	2003	→	2004	F	220	97,2	4	5	10,8	120	R
		HD EVO EURO 2	200	2005	→	2006	F	220	97,2	4	5	10,8	120	R
FMD0418	SYM	HD EVO I EURO 3	200	2007	→	2010	F	220	97,2	4	5	10,8	120	R
		JOYRIDE	125	2001	→	2004	R	200	73	4	3	10,5	95	R
		JOYRIDE EURO 2	125	2005	→	2006	R	200	73	4	3	10,5	95	R
		JOYRIDE EURO 3	125	2007	→	2009	R	200	73	4	3	10,5	95	R
		JOYRIDE EVO	125	2010	→		R	200	73	4	3	10,5	95	R
		JOYRIDE	150	2001	→	2002	R	200	73	4	3	10,5	95	R
		JOY RIDE	200	2001	→	2004	R	200	73	4	3	10,5	95	R
		JOY RIDE I EVO	200	2009	→	2010	R	200	73	4	3	10,5	95	R
FMD0419	SYM	HD EVO	125	2005	→	2006	R	220	110	5	5	10,7	132	R
		HD EVO EURO3	125	2010	→		R	220	110	5	5	10,7	132	R
		HD EVO	200	2011	→		R	220	110	5	5	10,7	132	R
		HD EVO EURO 2	200	2005	→	2006	R	220	110	5	5	10,7	132	R
		HD EVO I EURO 3	200	2007	→	2010	R	220	110	5	5	10,7	132	R
		HD2 EVO	200	2013	→		R	220	110	5	5	10,7	132	R
		GTS	250	2007	→	2008	R	220	110	5	5	10,7	132	R
		JOYMAX	250	2005	→	2007	R	220	110	5	5	10,7	132	R
		JOYMAX I EURO 3	250	2007	→	2008	R	220	110	5	5	10,7	132	R
		JOYMAX EVO	300	2009	→		R	220	110	5	5	10,7	132	R
		JOYMAX I	300	2012	→		R	220	110	5	5	10,7	132	R
		JOYMAX I EVO	300	2010	→		R	220	110	5	5	10,7	132	R
FMD0420	SYM	GTS	250	2007	→	2008	F	240	98	4,5	5	11	125	R
		JOYMAX	250	2005	→	2007	F	240	98	4,5	5	11	125	R
		JOYMAX I EURO 3	250	2007	→	2008	F	240	98	4,5	5	11	125	R
		JOYMAX EVO	300	2009	→		F	240	98	4,5	5	11	125	R
		JOYMAX I	300	2012	→		F	240	98	4,5	5	11	125	R
		JOYMAX I EVO	300	2010	→		F	240	98	4,5	5	11	125	R
FMD0421	SUZUKI	BURGMAN AN	400	2007	→	2015	R	210	89,2	5	6	10,4	110	R
FMD0422	YAMAHA	T MAX ABS XP	500	2008	→	2011	F	267	132,1	4	6	8,6	150	RF
		T MAX SV ABS XP	500	2011	→		F	267	132,1	4	6	8,6	150	RF
		T MAX SV XP	500	2011	→		F	267	132,1	4	6	8,6	150	RF



Front
Rear

Outside Dia (mm)

Inside Dia (mm)

Thickness (mm)

No. of Fixing hole

Fixing hole dia. (mm)

Fix. hole centreline diam (mm)

DISC TYPE

Code	Brand	Model	Capacity	Year	Direction	Front	Rear	Outside Dia (mm)	Inside Dia (mm)	Thickness (mm)	No. of Fixing hole	Fixing hole dia. (mm)	Fix. hole centreline diam (mm)	DISC TYPE
...FMD0422		T MAX XP	500	2008	→	2011	F	267	132,1	4	6	8,6	150	RF
FMD0423	KYMCO	DINK 4T	50	2007	→		F	240	88,1	4	5	10,6	110	R
		DINK EURO 3	125	2006	→	2007	F	240	88,1	4	5	10,6	110	R
		DINK EURO 3 i	200	2006	→	2007	F	240	88,1	4	5	10,6	110	R
		NEW DINK	200	2008	→		F	240	88,1	4	5	10,6	110	R
		G-DINK	300	2012	→		F	240	88,1	4	5	10,6	110	R
FMD0424	YAMAHA	X-CITY VP	125	2008	→	2011	F	270	128,3	5	6	8,6	146,2	R
		VP 250 X-CITY	250	2007	→	2008	F	270	128,3	5	6	8,6	146,2	R
		X-CITY VP	250	2007	→	2014	F	270	128,3	5	6	8,6	146,2	R
FMD0425	HONDA	@ NES	125	2009	→		F	240	105,1	4	4	10,6	125,1	R
		PANTHEON FES	125	1998	→	2002	F	240	105,1	4	4	10,6	125,1	R
		PANTHEON FES	125	2003	→	2007	F	240	105,1	4	4	10,6	125,1	R
		S-WING FES	125	2008	→		F	240	105,1	4	4	10,6	125,1	R
		SH (rear disc version)	125	2009	→		F	240	105,1	4	4	10,6	125,1	R
		SH i	125	2009	→	2012	F	240	105,1	4	4	10,6	125,1	R
		@ NES	150	2009	→		F	240	105,1	4	4	10,6	125,1	R
		PANTHEON FES	150	1998	→	2002	F	240	105,1	4	4	10,6	125,1	R
		PANTHEON FES	150	2003	→	2007	F	240	105,1	4	4	10,6	125,1	R
		S-WING FES	150	2007	→		F	240	105,1	4	4	10,6	125,1	R
		SH (rear disc version)	150	2009	→		F	240	105,1	4	4	10,6	125,1	R
		SH i	150	2009	→	2012	F	240	105,1	4	4	10,6	125,1	R
		FORESIGHT	250	1997	→	1998	F	240	105,1	4	4	10,6	125,1	R
		FORESIGHT	250	1999	→	2007	F	240	105,1	4	4	10,6	125,1	R
		FORZA NSS	250	2000	→	2004	F	240	105,1	4	4	10,6	125,1	R
		FORZA X NSS	250	2005	→	2007	F	240	105,1	4	4	10,6	125,1	R
		FORZA XE NSS	250	2005	→	2007	F	240	105,1	4	4	10,6	125,1	R
		JAZZ	250	2001	→	2004	F	240	105,1	4	4	10,6	125,1	R
FMD0427	PEUGEOT	SV	250	2001	→		F	240	105,1	4	4	10,6	125,1	R
	HONDA	VF V TWIN MAGNA	250	1997	→	1997	F	318	144	5	6	10,5	166	R
		NT HAWK GT	650	1988	→	1990	F	318	144	5	6	10,5	166	R
		NTV REVERE	650	1988	→	1998	F	318	144	5	6	10,5	166	R
		VF C MAGNA	750	1994	→	2003	F	318	144	5	6	10,5	166	R
		VF SHADOW	750	1994	→	2007	F	318	144	5	6	10,5	166	R
		ST PAN EUROPEAN	1100	1997	→	2001	F	318	144	5	6	10,5	166	R
		VT SHADOW	1100	1992	→	1995	F	318	144	5	6	10,5	166	R
		VT SHADOW ACE-AERO-C2-C3	1100	1995	→	1998	F	318	144	5	6	10,5	166	R
FMD0430	HARLEY D.	FXDB DYNA STREET BOB	1450	2006	→	2007	F	300	56.30	5	5	8.5	82.5	R
		FLHR/I ROAD KING	1584	2008	→	2010	F	300	56.30	5	5	8.5	82.5	R
		FLHRC ROAD KING CLASSIC	1584	2008	→	2013	F	300	56.30	5	5	8.5	82.5	R
		FLHT/I ELECTRA GLIDE STANDARD	1584	2008	→	2010	F	300	56.30	5	5	8.5	82.5	R
		FLHTC ELECTRA GLIDE CLASSIC	1584	2008	→	2013	F	300	56.30	5	5	8.5	82.5	R
		FLHTCU ELECTRA GLIDE ULTRA CLASSIC	1584	2009	→	2013	F	300	56.30	5	5	8.5	82.5	R
		FLHX STREET GLIDE	1584	2008	→	2013	F	300	56.30	5	5	8.5	82.5	R
		FLTR/I ROAD GLIDE	1584	2008	→	2009	F	300	56.30	5	5	8.5	82.5	R
		FXDB DYNA STREET BOB	1584	2008	→	2014	F	300	56.30	5	5	8.5	82.5	R
		FLHP ROAD KING POLICE	1690	2010	→	2011	F	300	56.30	5	5	8.5	82.5	R
		FLHTK ELECTRA GLIDE ULTRA LIMITED	1690	2010	→	2013	F	300	56.30	5	5	8.5	82.5	R
		FLHTP ELECTRA GLIDE POLICE	1690	2009	→	2011	F	300	56.30	5	5	8.5	82.5	R
		FLHX STREET GLIDE	1690	2010	→	2013	F	300	56.30	5	5	8.5	82.5	R
		FLTRU	1690	2011	→		F	300	56.30	5	5	8.5	82.5	R
		FLTRUSE SCREAM EAGLE ROAD GLIDE	1690	2011	→		F	300	56.30	5	5	8.5	82.5	R
		FLTRX ROAD GLIDE CUSTOM	1690	2010	→	2013	F	300	56.30	5	5	8.5	82.5	R
		FLHTCUSE BLK ULTRA CLASSIC ELECTRA GLIDE	1800	2008	→	2013	F	300	56.30	5	5	8.5	82.5	R
		FLHTCUSE CVO ULTRA CLASSIC ELECTRA GLIDE	1800	2009	→	2013	F	300	56.30	5	5	8.5	82.5	R
		FLHXSE CVO STREET GLIDE	1800	2010	→	2011	F	300	56.30	5	5	8.5	82.5	R
FMD0431	HARLEY D.	VRSCA V-ROD	1130	2006	→	2008	F	300	172.5	5	5	13.5	172.5	R
		VRSCAW V-ROD	1250	2008	→	2010	F	300	172.5	5	5	13.5	172.5	R
		VRSCDX NIGHT ROD SPECIAL	1250	2007	→	2014	F	300	172.5	5	5	13.5	172.5	R
		VRSCF V-ROD MUSCLE	1250	2008	→	2014	F	300	172.5	5	5	13.5	172.5	R
		FXD DYNA SUPER GLIDE	1450	2006	→	2007	F	300	172.5	5	5	13.5	172.5	R
		FXDC DYNA SUPER GLIDE CUSTOM	1450	2006	→	2007	F	300	172.5	5	5	13.5	172.5	R
		FXDWG DYNA WIDE GLIDE	1450	2006	→	2007	F	300	172.5	5	5	13.5	172.5	R
		FXD DYNA STREET BOB	1584	2006	→	2010	F	300	172.5	5	5	13.5	172.5	R
		FXD DYNA SUPER GLIDE	1584	2008	→	2010	F	300	172.5	5	5	13.5	172.5	R
		FXDC DYNA SUPER GLIDE CUSTOM	1584	2008	→	2014	F	300	172.5	5	5	13.5	172.5	R
		FXDF FAT BOB	1584	2008	→	2014	F	300	172.5	5	5	13.5	172.5	R
		FXDL DYNA LOW RIDER	1584	2007	→	2010	F	300	172.5	5	5	13.5	172.5	R
		FXDWG DYNA WIDE GLIDE	1584	2008	→	2014	F	300	172.5	5	5	13.5	172.5	R
FMD0432	HARLEY D.	FLD SWITCHBACK	1690	2012	→	2014	F	300	172.5	5	5	13.5	172.5	R
		VRSCA V-ROD	1130	2006	→	2008	R	300	56.3	5	5	10.5	82.5	R
		VRSCAW V-ROD	1250	2008	→	2010	R	300	56.3	5	5	10.5	82.5	R
		VRSCDX NIGHT ROD SPECIAL	1250	2007	→	2014	R	300	56.3	5	5	10.5	82.5	R
		VRSCF V-ROD MUSCLE	1250	2008	→	2014	R	300	56.3	5	5	10.5	82.5	R
FMD0433	HARLEY D.	FXDB DYNA STREET BOB	1450	2006	→	2007	R	300	56.3	6	5	10.5	82.5	R
		FLHR/I ROAD KING	1584	2008	→	2010	R	300	56.3	6	5	10.5	82.5	R
		FLHRC ROAD KING CLASSIC	1584	2008	→	2013	R	300	56.3	6	5	10.5	82.5	R
		FLHT/I ELECTRA GLIDE STANDARD	1584	2008	→	2010	R	300	56.3	6	5	10.5	82.5	R
		FLHTC ELECTRA GLIDE CLASSIC	1584	2008	→	2013	R	300	56.3	6	5	10.5	82.5	R



CC

Front
Rear

Outside Dia (mm)

Inside Dia (mm)

Thickness (mm)

No. of Fixing hole

Fixing hole dia. (mm)

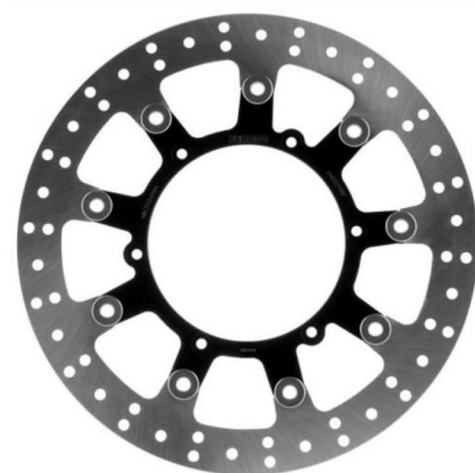
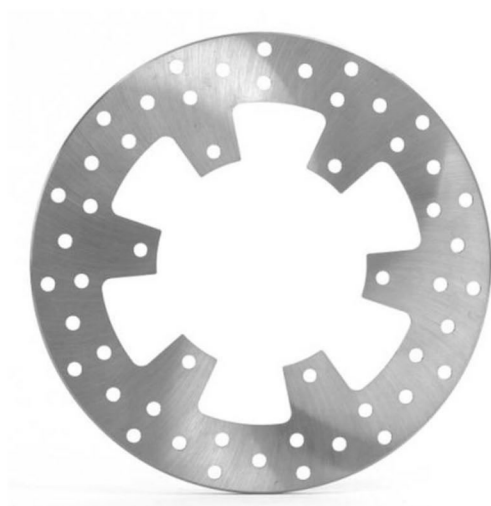
Fix. hole centreline diam (mm)

DISC TYPE

Code	Brand	Model	Year	Year	Year	Front	Outside Dia (mm)	Inside Dia (mm)	Thickness (mm)	No. of Fixing hole	Fixing hole dia. (mm)	Fix. hole centreline diam (mm)	DISC TYPE		
...FMD0433		FLHTCU ELECTRA GLIDE ULTRA CLASSIC	1584	2009	→ 2013	R	300	56.3	6	5	10.5	82.5	R		
		FLHX STREET GLIDE	1584	2008	→ 2013	R	300	56.3	6	5	10.5	82.5	R		
		FLTR/I ROAD GLIDE	1584	2008	→ 2009	R	300	56.3	6	5	10.5	82.5	R		
		FXDB DYNA STREET BOB	1584	2008	→ 2014	R	300	56.3	6	5	10.5	82.5	R		
		FLHP ROAD KING POLICE	1690	2010	→ 2011	R	300	56.3	6	5	10.5	82.5	R		
		FLHTK ELECTRA GLIDE ULTRA LIMITED	1690	2010	→ 2013	R	300	56.3	6	5	10.5	82.5	R		
		FLHTP ELECTRA GLIDE POLICE	1690	2009	→ 2011	R	300	56.3	6	5	10.5	82.5	R		
		FLHX STREET GLIDE	1690	2010	→ 2013	R	300	56.3	6	5	10.5	82.5	R		
		FLTRU	1690	2011	→	R	300	56.3	6	5	10.5	82.5	R		
		FLTRUSE SCREAM EAGLE ROAD GLIDE	1690	2011	→	R	300	56.3	6	5	10.5	82.5	R		
		FLTRX ROAD GLIDE CUSTOM	1690	2010	→ 2013	R	300	56.3	6	5	10.5	82.5	R		
		FLHTCUSE BLK ULTRA CLASSIC ELECTRA GLIDE	1800	2008	→ 2013	R	300	56.3	6	5	10.5	82.5	R		
		FLHTCUSE CVO ULTRA CLASSIC ELECTRA GLIDE	1800	2009	→ 2013	R	300	56.3	6	5	10.5	82.5	R		
		FLHXSE CVO STREET GLIDE	1800	2010	→ 2011	R	300	56.3	6	5	10.5	82.5	R		
	FMD0435	HONDA	SZX X 8RS	50	1998	→ 2004	F	220	104	4	3	10.5	124	R	
			SZX X 8RX	50	1998	→ 2004	F	220	104	4	3	10.5	124	R	
	FMD0436	HONDA	SZX X 8RS	50	1998	→ 2004	R	190	72	3.5	4	10.5	94	R	
			SZX X 8RX	50	1998	→ 2004	R	190	72	3.5	4	10.5	94	R	
	FMD0437	YAMAHA	X-MAX YP R	125	2006	→ 2013	F	267	132	4	5	9	150	R	
			X-MAX YP R	125	2011	→	F	267	132	4	5	9	150	R	
X-MAX YP R			125	2014	→	F	267	132	4	5	9	150	R		
X-MAX YP R ABS			125	2013	→ 2014	F	267	132	4	5	9	150	R		
X-MAX YP R			250	2005	→ 2013	F	267	132	4	5	9	150	R		
X-MAX YP R			250	2014	→	F	267	132	4	5	9	150	R		
X-MAX YP R ABS			250	2011	→ 2014	F	267	132	4	5	9	150	R		
X-MAX YP R SPORT			250	2011	→ 2012	F	267	132	4	5	9	150	R		
YP G GRAND MAJESTY [japan]			250	2004	→ 2005	F	267	132	4	5	9	150	R		
X-MAX YP			400	2013	→ 2015	F	267	132	4	5	9	150	R		
X-MAX YP ABS			400	2014	→ 2015	F	267	132	4	5	9	150	R		
YP MAJESTY			400	2004	→ 2011	F	267	132	4	5	9	150	R		
YP MAJESTY			400	2012	→ 2013	F	267	132	4	5	9	150	R		
XP T-MAX			500	2004	→ 2007	F	267	132	4	5	9	150	R		
XP T-MAX			530	2012	→ 2015	F	267	132	4	5	9	150	R		
XP T-MAX ABS			530	2012	→ 2015	F	267	132	4	5	9	150	R		
FMD0440			KYMCO	XCITING	250	2005	→	F	260	105.5	5	5	10.6	130	R
				XCITING i	250	2006	→	F	260	105.5	5	5	10.6	130	R
				XCITING I	300	2008	→	F	260	105.5	5	5	10.6	130	R
				XCITING I R	300	2008	→	F	260	105.5	5	5	10.6	130	R
	XCITING	500		2005	→	F	260	105.5	5	5	10.6	130	R		
	XCITING I	500		2006	→ 2008	F	260	105.5	5	5	10.6	130	R		
	XCITING I R	500		2007	→	F	260	105.5	5	5	10.6	130	R		
	XCITING R	500		2009	→	F	260	105.5	5	5	10.6	130	R		
	FMD0441	SUZUKI		BURGMAN UH	125	2007	→ 2013	F/R	240	89	4.5	3	10.5	110	R
				BURGMAN UH	200	2007	→ 2013	F/R	240	89	4.5	3	10.5	110	R
FMD0444	YAMAHA	MAJESTY ABS 400 YP	400	2007	→ 2011	R	267	132.2	5	3	8.5	150	R		
		YP MAJESTY	400	2004	→ 2011	R	267	132.2	5	3	8.5	150	R		
FMD0445	YAMAHA	X-MAX YP R	125	2011	→	R	245	115	5	3	8.5	133	R		
		X-MAX YP R ABS	125	2013	→ 2014	R	245	115	5	3	8.5	133	R		
FMD0450	BMW	X-MAX YP R ABS	250	2011	→ 2014	R	245	115	5	3	8.5	133	R		
		R 850 C	850	1998	→ 2001	F	305	181	4.6	5	16.8x13.8	203.15	R		
		R 850 GS	850	1998	→ 2007	F	305	181	4.6	5	16.8x13.8	203.15	R		
		R 1100 GS	1100	1994	→ 2001	F	305	181	4.6	5	16.8x13.8	203.15	R		
		R 1100 S	1100	1998	→ 2000	F	305	181	4.6	5	16.8x13.8	203.15	R		
		R 1150 GS	1150	1999	→ 2001	F	305	181	4.6	5	16.8x13.8	203.15	R		
		R 1150 GS (Brembo caliper)	1150	2002	→ 2004	F	305	181	4.6	5	16.8x13.8	203.15	R		
		R 1150 GS ADVENTURE	1150	2002	→ 2005	F	305	181	4.6	5	16.8x13.8	203.15	R		
		HP2	1200	2006	→ 2009	F	305	181	4.6	5	16.8x13.8	203.15	R		
		K 1200 LT	1200	1999	→ 2000	F	305	181	4.6	5	16.8x13.8	203.15	R		
		K 1200 RS	1200	1997	→ 2000	F	305	181	4.6	5	16.8x13.8	203.15	R		
		R 1200 C	1200	1997	→ 2001	F	305	181	4.6	5	16.8x13.8	203.15	R		
		R 1200 C CLASSIC	1200	2003	→	F	305	181	4.6	5	16.8x13.8	203.15	R		
		R 1200 CL	1200	2002	→ 2006	F	305	181	4.6	5	16.8x13.8	203.15	R		
		R 1200 GS	1200	2004	→ 2012	F	305	181	4.6	5	16.8x13.8	203.15	R		
		R 1200 GS	1200	2013	→ 2014	F	305	181	4.6	5	16.8x13.8	203.15	R		
		R 1200 GS - ABS	1200	2004	→ 2012	F	305	181	4.6	5	16.8x13.8	203.15	R		
		R 1200 GS - ABS	1200	2013	→ 2014	F	305	181	4.6	5	16.8x13.8	203.15	R		
		R 1200 GS ADVENTURE	1200	2006	→ 2013	F	305	181	4.6	5	16.8x13.8	203.15	R		
		R 1200 GS ADVENTURE	1200	2014	→	F	305	181	4.6	5	16.8x13.8	203.15	R		
FMD0451	YAMAHA	XP T-MAX	530	2012	→ 2015	R	282.0	132.0	5.0	5.0	10.75	165.0	R		



MOTORCYCLE DISCS



BRAKE DISCS XREF

Competitors to Ferodo



MOTORCYCLE DISCS

BRAKE DISCS X-REF

COMPETITORS TO FERODO

BRAKING	Ferodo	BRAKING	Ferodo	BRAKING	Ferodo	BRAKING	Ferodo
AP08RI	FMD0005	HO14FI	FMD0013	KW30RI	FMD0237	STX40	FMD0134
AP10FL	FMD0050	HO15RI	FMD0217	KW32RI	FMD0107	STX41	FMD0135
AP11FI	FMD0002	HO17FI	FMD0006	KW34RI	FMD0238	STX42	FMD0136
AP13FL	FMD0038	HO18FI	FMD0033	KW35RI	FMD0239	STX43	FMD0137
AP13RI	FMD0164	HO18RI	FMD0059	KW36RI	FMD0341	STX46	FMD0139
AP16FI	FMD0003	HO20FI	FMD0271	KX30RID	FMD0237	STX47	FMD0140
AP22RI	FMD0406	HO21FI	FMD0012	MA01FI	FMD0042	STX48	FMD0343
BL01RI	FMD0205	HO22FI	FMD0010	MA03FI	FMD0046	STX54	FMD0143
BM01FI	FMD0353	HO22RI	FMD0014	MA04FI	FMD0048	STX61	FMD0146
BW01FI	FMD0080	HO22RI	FMD0090	MB03FI	FMD0110	STX62	FMD0147
BW02FI	FMD0081	HO23FI	FMD0093	MB04FID	FMD0319	STX67	FMD0241
BW03RI	FMD0075	HO23RI	FMD0220	MB04RI	FMD0320	STX69	FMD0349
BW04FI	FMD0082	HO24FI	FMD0094	Old part number: HO38RI	FMD0197	STX70	FMD0350
BW04FI	FMD0450	HO25FI	FMD0095	Old Part Number: YA29RI	FMD0263	STX71	FMD0281
BW05RI	FMD0207	HO25RI	FMD0221	PE02FI	FMD0025	STX73	FMD0352
BW06FI	FMD0083	HO26FL	FMD0427	PE03FI	FMD0229	STX76	FMD0393
BW06RI	FMD0407	HO31RI	FMD0096	PI01FI	FMD0022	STX78	FMD0394
DC02RI	FMD0180	HO32FI	FMD0097	PI01FI	FMD0039	STX90	FMD0410
DC04RI	FMD0389	HO33FI	FMD0098	RF3104	FMD0430	STX91	FMD0401
DC05RI	FMD0390	HO33RI	FMD0403	RF3105	FMD0431	STX98	FMD0411
GL01RI	FMD0053	HO34FI	FMD0435	RF3503	FMD0432	SZ01FI (for R)	FMD0028
GL06FI	FMD0007	HO34RI	FMD0436	RF3504	FMD0433	SZ01RI	FMD0186
GL06RI	FMD0210	HO40RI	FMD0355	RF7526	FMD0170	SZ02FI	FMD0027
HD01FI (for R)	FMD0266	HO41FI	FMD0270	RF7542	FMD0367	SZ04FI	FMD0148
HD01FI Polish (for RP)	FMD0266	HO50FI	FMD0008	RF8116	FMD0437	SZ04RI	FMD0187
HD01FL (for RF)	FMD0266	HO60RI	FMD0197	RF8124	FMD0441	SZ05FI	FMD0208
HD01FL Polish (for RPF)	FMD0266	HU02RI	FMD0179	RF8512	FMD0451	SZ05RI	FMD0242
HD01RI (for R)	FMD0267	HU03FL	FMD0225	RF8513	FMD0203	SZ06FL	FMD0149
HD01RI Polish (for RP)	FMD0267	HU04RI	FMD0190	RH7003	FMD0450	SZ08RI	FMD0244
HD01RL (for RF)	FMD0267	HU07RI	FMD0335	RH7004	FMD0083	SZ10RI	FMD0245
HD01RL Polish (for RPF)	FMD0267	IT01FI	FMD0019	RL7005	FMD0206	SZ14RI	FMD0246
HD05FL	FMD0391	KM01FI	FMD0034	S38014 Wave	FMD0163	SZ16FI	FMD0357
HD12FI	FMD0338	KM05FI	FMD0440	SH01FLD	FMD0330	SZ20FL	FMD0150
HD12RL	FMD0339	KT01FI	FMD0278	SH01RI	FMD0335	SZ20RI	FMD0247
HD292R (for RP)	FMD0085	KT03FL	FMD0279	STX01	FMD0111	SZ21RI	FMD0248
HD292RFL (for RPF)	FMD0085	KT03RI (old)	FMD0184	STX04	FMD0112	SZ22RI	FMD0249
HD292S (for RP)	FMD0211	KT06FI	FMD0100	STX05	FMD0113	SZ24FI	FMD0026
HD292SFL (for RPF)	FMD0211	KT06RI	FMD0228	STX06	FMD0114	SZ24RI	FMD0250
HDF (for R)	FMD0085	KT07FI	FMD0399	STX08	FMD0115	SZ26FI	FMD0151
HDFFL (for RF)	FMD0085	KT07RI	FMD0400	STX09	FMD0116	SZ26RI	FMD0251
HDR (for R)	FMD0211	KT11RI	FMD0184	STX10	FMD0117	SZ33RI	FMD0079
HDRFL (for RF)	FMD0211	KW01RI	FMD0195	STX101	FMD0412	SZ35RID	FMD0362
HO01RI	FMD0185	KW02FI	FMD0101	STX11	FMD0118	SZ37FI	FMD0396
HO02RI	FMD0212	KW02RI	FMD0230	STX12	FMD0119	SZ37RI	FMD0366
HO03FI	FMD0087	KW03RI	FMD0020	STX125	FMD0120	SZ38RI	FMD0342
HO03RI	FMD0011	KW05FI	FMD0103	STX13	FMD0120	TM03FL	FMD0152
HO04FI	FMD0088	KW07FI	FMD0218	STX15	FMD0121	TM03RI	FMD0252
HO05FI	FMD0089	KW07RI	FMD0104	STX17	FMD0123	YA01FI	FMD0037
HO05RI	FMD0009	KW09RI	FMD0199	STX20	FMD0125	YA01RI	FMD0182
HO06RI	FMD0214	KW13FI	FMD0105	STX21	FMD0126	YA02FI	FMD0031
HO09FI	FMD0015	KW15RI	FMD0233	STX30	FMD0128	YA02RI	FMD0256
HO09RI	FMD0090	KW16RI	FMD0234	STX31	FMD0224	YA03FI	FMD0030
HO10FI	FMD0032	KW18FI	FMD0106	STX33	FMD0129	YA03RI	FMD0257
HO12RI	FMD0214	KW18RI	FMD0227	STX36	FMD0130	YA05FI	FMD0154
HO13FI	FMD0091	KW19RI	FMD0340	STX38	FMD0131	YA06FI	FMD0029
HO13RI	FMD0216	KW22RI	FMD0235	STX39	FMD0132	YA08RI	FMD0023

BRAKE DISCS X-REF

COMPETITORS TO FERODO

BRAKING	Ferodo	EBC	Ferodo	EBC	Ferodo	HTF	Ferodo
YA09RI	FMD0155	MD3061	FMD0247	MD6191D	FMD0197	BD 107 ST	FMD0029
YA10FI	FMD0157	MD4006LS/RS	FMD0020	MD6199D	FMD0143	BD 108 ST	FMD0030
YA10RI	FMD0258	MD4012LS/RS	FMD0114	MD651	FMD0207	BD 109 ST	FMD0090
YA12FI	FMD0001	MD4013	FMD0199	MD653	FMD0075	BD 110 ST	FMD0027
YA17FI	FMD0175	MD4014	FMD0235	MD901	FMD0002	BD 114 ST - BD 023 ST	FMD0023
YA18FI	FMD0159	MD4015	FMD0230	MD904D	FMD0001	BD 115 ST	FMD0020
YA19FI	FMD0160	MD4016LS/RS	FMD0218	MD906D	FMD0006	BD 116 ST	FMD0033
YA21FL	FMD0275	MD4017	FMD0101	MD907D	FMD0110	BD 121 ST	FMD0182
YA22FI	FMD0162	MD4022LS/RS	FMD0116	MD9102D	FMD0437	BD 124 ST	FMD0184
YA22RI	FMD0259	MD4136LS/RS	FMD0115	MD910D	FMD0022	BD 128 ST	FMD0187
YA23RI	FMD0260	MD506LS/RS	FMD0085	MD918D	FMD0013	BD 131 ST	FMD0032
YA24RI	FMD0261	MD509SR	FMD0211	MD920D	FMD0435	BD 137 ST	FMD0242
YA30FI	FMD0273	MD6001D	FMD0015	MD921D	FMD0436	BD 138 ST	FMD0258
YA30RI	FMD0274	MD6002D	FMD0212	MD922	FMD0008	BD 149 ST	FMD0263
YA34RI	FMD0265	MD6010	FMD0087	MD924D	FMD0007	BD 151 ST	FMD0028
YA43RI	FMD0360	MD6011D	FMD0182	MD925D	FMD0025	BD 154 ST	FMD0197
YA44RI	FMD0405	MD6013D	FMD0011	MD927D	FMD0260	BD 158 ST	FMD0012
YA48RI	FMD0444	MD6013D	FMD0090	MD930D	FMD0026	BD 162 ST	FMD0075
YA52RI	FMD0263	MD6014D	FMD0186	MD930D	FMD0250	BD 165 ST	FMD0199
		MD6017D	FMD0028	MD932	FMD0210	BD 169 ST	FMD0205
		MD6017D	FMD0208	MD941D	FMD0019	BD 170 ST	FMD0015
BREMBO	Ferodo	MD6018D	FMD0151	MD943	FMD0002	BD 173 ST	FMD0087
08.4899.93	FMD0147	MD6024D	FMD0195	MD945D	FMD0003		
		MD6025D	FMD0251	MD966D	FMD0005		
		MD6026D	FMD0106			NEWFREN	Ferodo
EBC	Ferodo	MD6028D	FMD0157			.DF.4001 A	FMD0002
MD 1001LS/RS	FMD0010	MD6037D	FMD0095	HTF	Ferodo	.DF.4002 A	FMD0039
MD1001	FMD0096	MD6038D	FMD0242	BD 001 ST	FMD0002	.DF.4004 A	FMD0001
MD1003LS/RS	FMD0112	MD6039D	FMD0029	BD 002 ST	FMD0039	.DF.4005 A	FMD0040
MD1004	FMD0014	MD6044D	FMD0088	BD 004 ST	FMD0001	.DF.4006 A	FMD0006
MD1006	FMD0012	MD6058D	FMD0094	BD 006 ST	FMD0006	.DF.4009 A	FMD0042
MD1007	FMD0220	MD6058D	FMD0094	BD 009 ST	FMD0042	.DF.4012 A	FMD0022
MD1008LS/RS	FMD0093	MD605LS/RS	FMD0081	BD 012 ST	FMD0022	.DF.4013 A	FMD0210
MD1010LS/RS	FMD0123	MD606LS/RS	FMD0080	BD 013 ST	FMD0210	.DF.4014 A	FMD0043
MD1014LS/RS	FMD0113	MD6070D	FMD0031	BD 014 ST	FMD0043	.DF.4015 A	FMD0007
MD1014LS/RS	FMD0134	MD6072D	FMD0256	BD 015 ST	FMD0007	.DF.4016 A	FMD0166
MD1126LS/RS	FMD0098	MD6076D	FMD0148	BD 017 ST	FMD0003	.DF.4017 A	FMD0003
MD1134LS/RS	FMD0128	MD6077D	FMD0187	BD 021 ST	FMD0045	.DF.4018 A	FMD0044
MD1138LS/RS	FMD0135	MD607LS/RS	FMD0206	BD 022 ST	FMD0026	.DF.4020 A	FMD0013
MD2001LS/RS	FMD0121	MD6080D	FMD0103	BD 024 ST	FMD0250	.DF.4021 A	FMD0045
MD2002	FMD0023	MD6082D	FMD0234	BD 025 ST	FMD0034	.DF.4022 A	FMD0026
MD2003LS/RS	FMD0352	MD6087D	FMD0091	BD 026 ST	FMD0110	.DF.4023 A	FMD0178
MD2011LS/RS	FMD0155	MD6093D	FMD0105	BD 027 ST	FMD0260	.DF.4024 A	FMD0250
MD2031LS - MD2078	FMD0160	MD6094D	FMD0149	BD 033 ST	FMD0048	.DF.4025 A	FMD0034
MD2068LS/RS	FMD0163	MD6102D/DR	FMD0033	BD 034 ST	FMD0008	.DF.4026 A	FMD0110
MD2074LS/RS	FMD0126	MD6103D	FMD0059	BD 036 ST	FMD0049	.DF.4027 A	FMD0260
MD2084	FMD0265	MD6116D	FMD0175	BD 038 ST	FMD0050	.DF.4028 A	FMD0019
MD3002	FMD0246	MD6118D	FMD0030	BD 043 ST	FMD0025	.DF.4029 A	FMD0046
MD3003LS/RS	FMD0120	MD6119D	FMD0257	BD 044 ST	FMD0229	.DF.4030 A	FMD0047
MD3006LS/RS	FMD0119	MD6124D	FMD0221	BD 045 ST	FMD0173	.DF.4033 A	FMD0048
MD3007LS/RS	FMD0117	MD6126D	FMD0179	BD 055 ST	FMD0054	.DF.4034 A	FMD0008
MD3008	FMD0244	MD6128D	FMD0164	BD 056 ST	FMD0055	.DF.4035 A	FMD0170
MD30089LS/RS	FMD0241	MD6129D	FMD0038	BD 059 ST	FMD0057	.DF.4036 A	FMD0049
MD3033LS	FMD0150	MD614LS/RS	FMD0111	BD 101 ST	FMD0010	.DF.4037 A	FMD0004
MD3045LS/RS	FMD0118	MD6157D	FMD0248	BD 102 ST	FMD0256	.DF.4037 A	FMD0171
MD3058LS/RS	FMD0125	MD6168D	FMD0089	BD 103 ST	FMD0059	.DF.4038 A	FMD0050
MD3059	FMD0245	MD6182D	FMD0159	BD 106 ST	FMD0031	.DF.4039 A	FMD0051
MD3060	FMD0249						

BRAKE DISCS X-REF

COMPETITORS TO FERODO

NEWFREN	Ferodo	NEWFREN	Ferodo	NEWFREN	Ferodo	NEWFREN	Ferodo
.DF.4040 A	FMD0172	.DF.4109 A	FMD0419	.DF.5055 A	FMD0095	.DF.5141 AF	FMD0130
.DF.4041 A	FMD0052	.DF.4110 A	FMD0420	.DF.5056 A	FMD0021	.DF.5142 AF	FMD0401
.DF.4042 A	FMD0053	.DF.4111 A	FMD0421	.DF.5057 A	FMD0195	.DF.5145 A	FMD0151
.DF.4043 A	FMD0025	.DF.4112 AF	FMD0422	.DF.5058 A (old)	FMD0012	.DF.5146 A	FMD0162
.DF.4044 A	FMD0229	.DF.4113 A	FMD0423	.DF.5059 A	FMD0073	.DF.5147 A	FMD0107
.DF.4045 A	FMD0173	.DF.4114 A	FMD0424	.DF.5060 A	FMD0101	.DF.5148 A	FMD0094
.DF.4050 A	FMD0309	.DF.4115 A	FMD0425	.DF.5061 A	FMD0074	.DF.5150 A	FMD0214
.DF.4051 A	FMD0310	.DF.4116 A	FMD0426	.DF.5062 A	FMD0075	.DF.5151 A	FMD0259
.DF.4052 A	FMD0311	.DF.4118 A	FMD0440	.DF.5063 A	FMD0076	.DF.5152 AF	FMD0111
.DF.4053 A	FMD0312	.DF.4121 A	FMD0444	.DF.5064 A	FMD0077	.DF.5153 A	FMD0082
.DF.4054 A	FMD0313	.DF.4122 A	FMD0445	.DF.5065 A	FMD0199	.DF.5155 A	FMD0389
.DF.4055 A	FMD0054	.DF.4125 A	FMD0441	.DF.5066 A	FMD0244	.DF.5156 AF	FMD0281
.DF.4056 A	FMD0055	.DF.4128 A	FMD0451	.DF.5067 A	FMD0237	.DF.5157 A	FMD0342
.DF.4058 A	FMD0056	.DF.5001 A	FMD0010	.DF.5068 A	FMD0078	.DF.5158 A	FMD0399
.DF.4059 A	FMD0057	.DF.5002 A	FMD0256	.DF.5069 A	FMD0205	.DF.5160 A	FMD0400
.DF.4060 A	FMD0014	.DF.5003 A	FMD0059	.DF.5070 A	FMD0015	.DF.5162 A	FMD0402
.DF.4061 A	FMD0058	.DF.5004 A	FMD0176	.DF.5071 A	FMD0005	.DF.5163 A	FMD0403
.DF.4062 A	FMD0435	.DF.5005 A	FMD0009	.DF.5072 A	FMD0203	.DF.5164 A	FMD0404
.DF.4063 A	FMD0079	.DF.5006 A	FMD0031	.DF.5073 A	FMD0087	.DF.5165 AF	FMD0113
.DF.4064 A	FMD0092	.DF.5007 A	FMD0029	.DF.5074 A	FMD0261	.DF.5166 AF	FMD0394
.DF.4065 A	FMD0133	.DF.5008 A	FMD0030	.DF.5075 A	FMD0204	.DF.5167 AF	FMD0121
.DF.4066 A	FMD0097	.DF.5009 A	FMD0090	.DF.5078 A	FMD0154	.DF.5168 AF	FMD0139
.DF.4067 A	FMD0156	.DF.5010 A	FMD0027	.DF.5078 AF	FMD0163	.DF.5169 A	FMD0265
.DF.4068 A	FMD0271	.DF.5011 A	FMD0091	.DF.5079 A	FMD0155	.DF.5170 A	FMD0405
.DF.4069 A	FMD0165	.DF.5013 A	FMD0212	.DF.5080 A	FMD0239	.DF.5171 A	FMD0023
.DF.4070 A	FMD0167	.DF.5014 A	FMD0023	.DF.5081 A	FMD0018	.DF.5172 AF	FMD0126
.DF.4071 A	FMD0168	.DF.5015 A	FMD0020	.DF.5087 AF	FMD0143	.DF.5173 A	FMD0246
.DF.4073 A	FMD0315	.DF.5016 A	FMD0033	.DF.5090 A	FMD0175	.DF.5174 AF	FMD0115
.DF.4074 A	FMD0316	.DF.5017 A	FMD0225	.DF.5091 A	FMD0037	.DF.5176 A	FMD0088
.DF.4075 A	FMD0317	.DF.5018 A	FMD0179	.DF.5094 A	FMD0152	.DF.5177 A	FMD0406
.DF.4076 A	FMD0318	.DF.5019 A	FMD0180	.DF.5095 A	FMD0252	.DF.5178 A	FMD0407
.DF.4077 A	FMD0319	.DF.5020 A	FMD0221	.DF.5106 A	FMD0328	.DF.5181 A (for R)	FMD0266
.DF.4078 A	FMD0320	.DF.5021 A	FMD0182	.DF.5107 AF	FMD0279	.DF.5181 AF (for RF)	FMD0266
.DF.4079 A	FMD0325	.DF.5022 A	FMD0249	.DF.5108 A	FMD0083	.DF.5181 AFL (for RPF)	FMD0266
.DF.4080 A	FMD0323	.DF.5023 A	FMD0064	.DF.5109 A	FMD0106	.DF.5181 AL (for RP)	FMD0266
.DF.4081 A	FMD0324	.DF.5024 A	FMD0184	.DF.5111 A	FMD0331	.DF.5182 A (for R)	FMD0267
.DF.4082 A	FMD0326	.DF.5025 A	FMD0185	.DF.5112 A	FMD0332	.DF.5182 AF (for RF)	FMD0267
.DF.4083 A	FMD0327	.DF.5026 A	FMD0157	.DF.5113 A	FMD0333	.DF.5182 AFL (for RPF)	FMD0267
.DF.4084 A	FMD0334	.DF.5027 A	FMD0186	.DF.5115 A	FMD0330	.DF.5182 AL (for RP)	FMD0267
.DF.4085 A	FMD0361	.DF.5028 A	FMD0187	.DF.5116 A	FMD0335	.DF.5183 A (for R)	FMD0085
.DF.4086 A	FMD0362	.DF.5029 A	FMD0248	.DF.5121 A	FMD0366	.DF.5183 AF (for RF)	FMD0085
.DF.4087 A	FMD0363	.DF.5030 A	FMD0258	.DF.5122 A	FMD0227	.DF.5183 AFL (for RPF)	FMD0085
.DF.4088 A	FMD0367	.DF.5031 A	FMD0032	.DF.5123 A	FMD0396	.DF.5183 AL (for RP)	FMD0085
.DF.4090 A	FMD0369	.DF.5032 A	FMD0208	.DF.5125 A	FMD0365	.DF.5184 A (for R)	FMD0211
.DF.4092 A	FMD0371	.DF.5034 A	FMD0011	.DF.5126 A	FMD0375	.DF.5184 AF (for RF)	FMD0211
.DF.4098 A	FMD0398	.DF.5036 A	FMD0190	.DF.5127 A	FMD0381	.DF.5184 AFL (for RPF)	FMD0211
.DF.4099 A	FMD0397	.DF.5037 A	FMD0242	.DF.5128 A	FMD0382	.DF.5184 AL (for RP)	FMD0211
.DF.4101 A	FMD0408	.DF.5038 A	FMD0258	.DF.5129 A	FMD0093	.DF.5186 A	FMD0159
.DF.4102 A	FMD0413	.DF.5041 AF (for RF)	FMD0028	.DF.5130 A	FMD0377	.DF.5187 AF	FMD0038
.DF.4103 A	FMD0012	.DF.5043 A	FMD0255	.DF.5131 A	FMD0378	.DF.5188 AF	FMD0206
.DF.4103 A	FMD0409	.DF.5043 A (old)	FMD0184	.DF.5132 AF	FMD0343	.DF.5189 A	FMD0207
.DF.4104 A	FMD0414	.DF.5048 AF	FMD0017	.DF.5133 AF	FMD0350	.DF.5191 A	FMD0096
.DF.4105 A	FMD0415	.DF.5049 A	FMD0263	.DF.5134 AF	FMD0241	.DF.5192 A	FMD0098
.DF.4106 A	FMD0416	.DF.5051 A (for R)	FMD0028	.DF.5135 AF	FMD0393	.DF.5193 A	FMD0100
.DF.4107 A	FMD0417	.DF.5053 A	FMD0216	.DF.5139 AF	FMD0137	.DF.5194 A	FMD0228
.DF.4108 A	FMD0418	.DF.5054 A	FMD0197	.DF.5140 AF	FMD0140	.DF.5195 A	FMD0103

BRAKE DISCS X-REF

COMPETITORS TO FERODO

NEWFREN	Ferodo	OEM	Ferodo	OEM	Ferodo	OEM	Ferodo
.DF.5196 A	FMD0104	2NX 25831 00	FMD0023	43251 MW3 600	FMD0008	59210 17C00	FMD0117
.DF.5197 A	FMD0105	3 HE 2581T 00	FMD0121	45120 KY2 003	FMD0112	59210 17C01	FMD0117
.DF.5198 AF	FMD0112	3CV 25830 00	FMD0121	45120 MAE 000	FMD0112	59210 17C31	FMD0117
.DF.5199 AF	FMD0114	3CV 25830 10	FMD0121	45120 MAL 601	FMD0112	59210 17E00	FMD0117
.DF.5201 AF	FMD0117	3CW 2581T 00	FMD0121	45120 MAS E01	FMD0128	59210 17E10	FMD0117
.DF.5202 AF	FMD0118	3EN 2581T 00	FMD0121	45120 MBG 003	FMD0134	59210 22D00	FMD0118
.DF.5203 AF	FMD0119	3GM 2581T 00	FMD0352	45120 MR7 000	FMD0123	59210 22D10	FMD0118
.DF.5204 AF	FMD0120	3GM 2582W 00	FMD0155	45120 MR7 010	FMD0123	59210 22D40	FMD0118
.DF.5206 AF	FMD0125	3GM 2582W AO	FMD0155	45120 MW0 003	FMD0113	59210 22D80	FMD0118
.DF.5207 AF	FMD0129	3JK 25831 00	FMD0155	45120 MW0 003	FMD0134	59210 31E00	FMD0119
.DF.5208 AF	FMD0131	3JK 25831 10	FMD0155	45220 MAE 000	FMD0112	59210 31E10	FMD0119
.DF.5209 AF	FMD0132	3JP 2581T 00	FMD0126	45220 MAL 601	FMD0112	59210 32C00	FMD0120
.DF.5210 A	FMD0089	3LE 2581T 00	FMD0352	45220 MAL G01	FMD0112	59210 32C01	FMD0120
.DF.5211 AF	FMD0134	3LR 2581T 00	FMD0126	45220 MAS E01	FMD0128	59210 32C10	FMD0120
.DF.5212 AF	FMD0135	3RG 2581T 00	FMD0121	45220 MBG 003	FMD0113	59210 32C11	FMD0120
.DF.5213 AF	FMD0146	3SH F5830 10	FMD0352	45220 MBG 003	FMD0134	59210 32C31	FMD0120
.DF.5214 AF	FMD0147	3SX 2582W 00	FMD0023	45220 MR7 000	FMD0123	59210 32C70	FMD0120
.DF.5215 A	FMD0148	3VD 2582W 00	FMD0023	45220 MR7 010	FMD0123	59210 32C80	FMD0120
.DF.5216 A	FMD0164	41080 1107	FMD0218	45220 MZ7 000	FMD0112	59210 33E00	FMD0125
.DF.5217 A	FMD0217	41080 1108	FMD0101	45251 KM4 000	FMD0012	59210 33E20	FMD0125
.DF.5218 A	FMD0218	41080 1109	FMD0218	45251 KT8 000	FMD0010	59210 33E70	FMD0125
.DF.5219 A	FMD0220	41080 1112	FMD0218	45251 MB0 000	FMD0010	59210 40C01	FMD0117
.DF.5220 AF	FMD0224	41080 1132	FMD0020	45251 MB0 700	FMD0010	59210 40C02	FMD0117
.DF.5221 A	FMD0233	41080 1151	FMD0230	45251 ME5 780	FMD0010	59210 40C03	FMD0117
.DF.5222 A	FMD0234	41080 1154	FMD0218	45251 MG5 670	FMD0010	59210 40C10	FMD0117
.DF.5223 A	FMD0238	41080 1155	FMD0218	45251 MJ1 670	FMD0010	59210 40C11	FMD0117
.DF.5224 AF	FMD0275	41080 1181	FMD0218	45251 MK4 600	FMD0010	59210 46D10	FMD0120
.DF.5227 A	FMD0341	41080 1197	FMD0218	45251 ML0 000	FMD0012	59211 48E00	FMD0118
.DF.5229 AF	FMD0349	41080 1198	FMD0218	45251 ML7 690	FMD0010	59220 01D11	FMD0119
.DF.5230 AF	FMD0352	41080 1203	FMD0230	45251 MT2 003	FMD0098	59220 01D21	FMD0119
.DF.5231 A	FMD0390	41080 1219 CM	FMD0230	45251 MT8 000	FMD0098	59220 01D30	FMD0119
.DF.5272 AF	FMD0410	41080 1240 CN	FMD0114	45251 MV9 000	FMD0010	59220 17C00	FMD0117
		41080 1241 CN	FMD0114	45351 GBM 705	FMD0006	59220 17C01	FMD0117
		41080 1242 CL	FMD0199	45351 MB0 000	FMD0010	59220 17C31	FMD0117
NG	Ferodo	41080 1242 FB	FMD0199	45351 MB0 700	FMD0010	59220 17E00	FMD0117
101	FMD0014	41080 1284 CN	FMD0114	45351 MG5 670	FMD0010	59220 17E10	FMD0117
209	FMD0009	41080 1285 CN	FMD0114	45351 MJ1 670	FMD0010	59220 22D00	FMD0118
364	FMD0008	41080 1306 CM	FMD0116	45351 MR5 000	FMD0010	59220 22D10	FMD0118
451	FMD0057	41080 1307 CM	FMD0116	45351 MT2 002	FMD0098	59220 22D40	FMD0118
792	FMD0409	41080 1318 CN	FMD0114	45351 MT2 003	FMD0098	59220 31E00	FMD0119
		41080 1318 FF	FMD0114	45351 MV9 000	FMD0010	59220 31E10	FMD0119
OEM	Ferodo	41080 1319 CN	FMD0114	46X 25831 00	FMD0023	59220 32C00	FMD0120
11U 25831 00	FMD0155	41080 1319 FF	FMD0114	4BP 2582T 00	FMD0160	59220 32C01	FMD0120
1KT 25830 01	FMD0352	41080 1351 FF	FMD0116	4DU 2582W 00	FMD0023	59220 32C10	FMD0120
1UA 25831 00	FMD0155	41080 1353 FB	FMD0235	4FM 2581T 00	FMD0352	59220 32C11	FMD0120
1UA 25831 10	FMD0155	41080 1371 FB	FMD0218	4FM 2581T 01	FMD0352	59220 32C31	FMD0120
1UF 25831 00	FMD0155	41080 1408 FF	FMD0116	4FM 2582W 00	FMD0023	59220 32C70	FMD0120
1UF 25831 10	FMD0155	41080 1437 A4	FMD0115	4HM 2581T 00	FMD0121	59220 32C80	FMD0120
28V 25831 00	FMD0155	41080 1463 A4	FMD0115	4HM 2581T 11	FMD0121	59220 40C01	FMD0117
28V 25831 10	FMD0155	41080 1468 A4	FMD0116	4HM 2582W 00	FMD0023	59220 40C02	FMD0117
29L 25831 00	FMD0155	42H 25831 00	FMD0155	4KG 2581T 00	FMD0352	59220 40C03	FMD0117
29L 25831 10	FMD0155	43251 KEA 000	FMD0014	4NK 2582W 00	FMD0160	59220 40C10	FMD0117
29L 25831 20	FMD0155	43251 MCJ 000	FMD0014	4SV 2581T 00	FMD0126	59220 40C11	FMD0117
29L 25831 30	FMD0155	43251 MG E01	FMD0220	4SV 2582W 00	FMD0023	59220 46D10	FMD0120
2GH 25830 00	FMD0352	43251 MT4 000	FMD0220	51Y 25831 00	FMD0155	59221 45C00	FMD0150
2KT 25831 00	FMD0155	43251 MV4 000	FMD0014	59210 08F00	FMD0120	59221 45C10	FMD0150
2KT 25831 10	FMD0155						

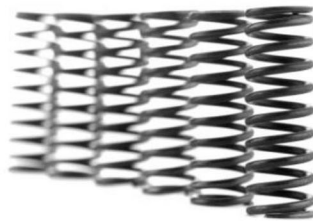
BRAKE DISCS X-REF

COMPETITORS TO FERODO

OEM	Ferodo
5EB 2582W 00	FMD0265
5JJ 2581T 00	FMD0126
5PX 2581T 00	FMD0126
69211 01D00	FMD0246
69211 17C00	FMD0244
69211 17C10	FMD0244
69211 19C00	FMD0246
69211 33E00	FMD0249
69211 33E10	FMD0249
69211 34C00	FMD0246
69211 45C00	FMD0247
69211 45C10	FMD0247

FERODO™

MOTORCYCLE CLUTCHES



Motorcycle Applications

FERODO™

MOTORCYCLE CLUTCHES



KIT RANGE



STANDARD

HIGH PERFORMANCE

STANDARD

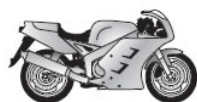
HIGH PERFORMANCE

ACCOSSATO

Model	Capacity	Year	Code	Standard	High Performance	Standard	High Performance
50 CROSS	50	→ 1983		FCD0523	FCD0523/1	FCS0523/2	FCS0523/3
50 CROSS MINI	50	1982 →		FCD0523	FCD0523/1	FCS0523/2	FCS0523/3
50 ENDURO	50	→ 1983		FCD0523	FCD0523/1	FCS0523/2	FCS0523/3
50 ENDURO CODICE	50	1989 →		FCD0523	FCD0523/1	FCS0523/2	FCS0523/3
CE 50	50	1987 →		FCD0523	FCD0523/1	FCS0523/2	FCS0523/3
CR 50 CROSS COMPETIZIONE	50	1984 →		FCD0523	FCD0523/1	FCS0523/2	FCS0523/3
CR 50 ENDURO	50	1984 →		FCD0523	FCD0523/1	FCS0523/2	FCS0523/3
CR 50 ENDURO COMPETIZIONE	50	1984 →		FCD0523	FCD0523/1	FCS0523/2	FCS0523/3
80 CROSS	80	→ 1983		FCD0523	FCD0523/1	FCS0523/2	FCS0523/3
CE 80	80	1987 →		FCD0523	FCD0523/1	FCS0523/2	FCS0523/3
CE 80 CROSS H20	80	1984 →		FCD0523	FCD0523/1	FCS0523/2	FCS0523/3
CE 80 ENDURO H20	80	1984 →		FCD0523	FCD0523/1	FCS0523/2	FCS0523/3
KR 80	80	1987 →		FCD0523	FCD0523/1	FCS0523/2	FCS0523/3
CE 125 CROSS H20	125	1984 →		FCD0523	FCD0523/1	FCS0523/2	FCS0523/3
CE 125 ENDURO H20	125	1984 →		FCD0523	FCD0523/1	FCS0523/2	FCS0523/3

APRILIA

Model	Capacity	Year	Code	Standard	High Performance	Standard	High Performance
AFI 50	50	1989 →	FSS0506	FCD0636		FCS0636/2	
AFI 50 AE all models	50	1987 → 1988	FSS0506	FCD0636		FCS0636/2	
AFI 50 EUROPA	50	1990 → 1992	FSS0506	FCD0636		FCS0636/2	
AFI 50 FUTURA	50	1990 →	FSS0506	FCD0636		FCS0636/2	
CLASSIC 50	50	1992 → 1999		FCD0608	FCD0608/1	FCS0608/2	FCS0608/3
ET 50	50	1984 → 1986		FCD0587			
ET 50 AE	50	1987 →	FSS0506	FCD0636		FCS0636/2	
ETX 50	50	1986 →	FSS0506	FCD0636		FCS0636/2	
EUROPA 50	50	1991 → 1992		FCD0608	FCD0608/1	FCS0608/2	FCS0608/3
MX 50	50	→ 1983		FCD0587			
MX 50 MOTARD	50	2003 → 2006		FCD0608	FCD0608/1	FCS0608/2	FCS0608/3
PEGASO 50	50	1992 → 1994		FCD0608	FCD0608/1	FCS0608/2	FCS0608/3
RC 50	50	→ 1983		FCD0587			
RC 50 SPECIAL	50	→ 1983		FCD0587			
RED ROSE 50	50	1988 → 1991	FSS0506	FCD0636		FCS0636/2	
RED ROSE 50	50	1992 →	FSS0506	FCD0636		FCS0636/2	
RS 50	50	1991 → 1998		FCD0608	FCD0608/1	FCS0608/2	FCS0608/3
RS 50	50	2000 → 2005		FCD0608	FCD0608/1	FCS0608/2	FCS0608/3
RS 50	50	2006 → 2010	FSS0507	FCD0585	FCD0585/1	FCS0585/2	FCS0585/3
RS 50 REPLICA	50	2003 → 2005		FCD0608	FCD0608/1	FCS0608/2	FCS0608/3
RS4 50	50	2011 → 2014	FSS0507	FCD0585	FCD0585/1	FCS0585/2	FCS0585/3
RX 50	50	1989 → 1991	FSS0506	FCD0636		FCS0636/2	
RX 50	50	2003 → 2004		FCD0608	FCD0608/1	FCS0608/2	FCS0608/3
RX 50	50	2006 → 2014	FSS0507	FCD0585	FCD0585/1	FCS0585/2	FCS0585/3
RX 50 ENDURO	50	1995 → 2003		FCD0608	FCD0608/1	FCS0608/2	FCS0608/3
RX 50 RACING	50	2003 → 2006		FCD0608	FCD0608/1	FCS0608/2	FCS0608/3
SX 50	50	2006 → 2014	FSS0507	FCD0585	FCD0585/1	FCS0585/2	FCS0585/3
SX 50 LIMITED EDITION	50	2014 →	FSS0507	FCD0585	FCD0585/1	FCS0585/2	FCS0585/3
TUAREG 50	50	1984 → 1985		FCD0587			
TUAREG 50	50	1986 →	FSS0506	FCD0636		FCS0636/2	
TUAREG 50 (freno a disco)	50	1984 → 1985	FSS0506	FCD0636		FCS0636/2	
TUAREG 50 (freno a disco)	50	1986 →		FCD0587			
TUAREG 50 HPC SYSTEM	50	1987 →	FSS0506	FCD0636		FCS0636/2	
TUAREG 50 RALLY	50	1990 → 1992	FSS0506	FCD0636		FCS0636/2	
TUONO 50	50	2003 →	FSS0506	FCD0636		FCS0636/2	
AF1 125 EUROPA	125	1990 → 1992		FCD0682	FCD0682/1	FCS0682/2	FCS0682/3
AF1 125 FUTURA	125	1990 → 1991		FCD0682	FCD0682/1	FCS0682/2	FCS0682/3
AFI 125	125	1989 → 1991		FCD0580	FCD0580/1	FCS0580/2	FCS0580/3
AFI 125 SINTESI	125	1988 →		FCD0682	FCD0682/1	FCS0682/2	FCS0682/3
AFI 125 SINTESI REPLICA	125	1989 → 1991		FCD0682	FCD0682/1	FCS0682/2	FCS0682/3
CLASSIC 125	125	1995 → 2001		FCD0557	FCD0557/1	FCS0557/2	FCS0557/3
ETX 125	125	1984 →		FCD0598		FCS0598/2	
ETX 125	125	1985 → 1997		FCD0580	FCD0580/1	FCS0580/2	FCS0580/3
MX 125	125	2004 → 2008		FCD0557	FCD0557/1	FCS0557/2	FCS0557/3
PEGASO 125	125	1989 → 1991		FCD0682	FCD0682/1	FCS0682/2	FCS0682/3
RED ROSE 125	125	1987 → 1994		FCD0682	FCD0682/1	FCS0682/2	FCS0682/3
RS 125	125	1992 → 1994		FCD0682	FCD0682/1	FCS0682/2	FCS0682/3
RS 125	125	1995 →		FCD0557	FCD0557/1	FCS0557/2	FCS0557/3
RX 125	125	1986 →		FCD0682	FCD0682/1	FCS0682/2	FCS0682/3
TUAREG 125	125	1986 →		FCD0580	FCD0580/1	FCS0580/2	FCS0580/3
TUAREG 125 RALLY	125	1986 → 1988		FCD0557	FCD0557/1	FCS0557/2	FCS0557/3
TUAREG 125 RALLY	125	1989 → 1992		FCD0682	FCD0682/1	FCS0682/2	FCS0682/3
TUAREG 125 RALLY (Mozzi Rimoldi)	125	1986 →		FCD0580	FCD0580/1	FCS0580/2	FCS0580/3
TUONO 125	125	2003 → 2004		FCD0557	FCD0557/1	FCS0557/2	FCS0557/3
CLIMBER 240	240	1988 → 1990		FCD0580	FCD0580/1	FCS0580/2	FCS0580/3
CLIMBER 240	240	1991 → 1994		FCD0682	FCD0682/1	FCS0682/2	FCS0682/3
TX 240	240	1985 →		FCD0580	FCD0580/1	FCS0580/2	FCS0580/3
RS 250	250	1995 → 2003	FSS0201	FCD0308	FCD0308/1	FCS0308/2	FCS0308/3



STANDARD HIGH PERFORMANCE



STANDARD HIGH PERFORMANCE

...APRILIA

Model	Capacity	Year	Change	Code	Standard	High Performance	Standard	High Performance
RS 250 PISTA	250	2004	→	FSS0201	FCD0308	FCD0308/1	FCS0308/2	FCS0308/3
TUAREG 250	250	1984	→ 1985		FCD0581	FCD0581/1	FCS0581/2	FCS0581/3
TUAREG 250 RALLY	250	1986	→		FCD0581	FCD0581/1	FCS0581/2	FCS0581/3
TUAREG 250 RALLY (Mozzi Rimoldi)	250	1986	→ 1988		FCD0581	FCD0581/1	FCS0581/2	FCS0581/3
TX 300	300	1985	→		FCD0580	FCD0580/1	FCS0580/2	FCS0580/3
TX 300	300	1986	→		FCD0580	FCD0580/1	FCS0580/2	FCS0580/3
TX 311	311	1987	→		FCD0580	FCD0580/1	FCS0580/2	FCS0580/3
TX 312	312	1988	→		FCD0580	FCD0580/1	FCS0580/2	FCS0580/3
TXR 312	312	1988	→		FCD0580	FCD0580/1	FCS0580/2	FCS0580/3
ETX 350	350	1985	→ 1986		FCD0516	FCD0516/1	FCS0516/2	FCS0516/3
ETX 350 AF	350	1987	→		FCD0580	FCD0580/1	FCS0580/2	FCS0580/3
TUAREG 350	350	1987	→		FCD0580	FCD0580/1	FCS0580/2	FCS0580/3
TUAREG 350 WIND	350	1987	→		FCD0580	FCD0580/1	FCS0580/2	FCS0580/3
TUAREG 600 WIND	600	1989	→		FCD0625			
TUAREG 600 WIND (twin disc)	600	1989	→		FCD0625			
TUAREG 600 WIND PARIS-DAKAR	600	1989	→		FCD0625			
MOTO 650 6.5	650	1995	→ 2000	FSS0503	FCD0641	FCD0641/1	FCS0641/2	FCS0641/3
PEGASO 650	650	1991	→ 1995	FSS0503	FCD0641	FCD0641/1	FCS0641/2	FCS0641/3
PEGASO 650	650	1996	→	FSS0503	FCD0641	FCD0641/1	FCS0641/2	FCS0641/3
PEGASO 650 3	650	1997	→ 2000	FSS0503	FCD0641	FCD0641/1	FCS0641/2	FCS0641/3
PEGASO 650 IE	650	2001	→ 2004	FSS0503	FCD0641	FCD0641/1	FCS0641/2	FCS0641/3
STARCK 650	650	1996	→	FSS0503	FCD0641	FCD0641/1	FCS0641/2	FCS0641/3
PEGASO 660 FACTORY	660	2007	→ 2009		FCD0737	FCD0737/1	FCS0737/2	FCS0737/3
PEGASO 660 STRADA	660	2005	→ 2009		FCD0737	FCD0737/1	FCS0737/2	FCS0737/3
PEGASO 660 TRAIL	660	2006	→ 2008		FCD0737	FCD0737/1	FCS0737/2	FCS0737/3
ETV 1000 CAPONORD	1000	2001	→ 2003	FSS0503	FCD0697	FCD0697/1		
ETV 1000 CAPONORD ABS	1000	2004	→ 2007	FSS0503	FCD0697	FCD0697/1		
ETV 1000 CAPONORD RALLY RAID	1000	2004	→	FSS0503	FCD0697	FCD0697/1		
RST 1000 FUTURA	1000	2001	→ 2003	FSS0503	FCD0697	FCD0697/1		
RSV 1000 MILLE	1000	1998	→ 2002	FSS0503	FCD0586	FCD0586/1	FCS0586/2	FCS0586/3
RSV 1000 MILLE NERA	1000	2004	→ 2008	FSS0503	FCD0697	FCD0697/1		
RSV 1000 SP	1000	1999	→ 2000	FSS0503	FCD0586	FCD0586/1	FCS0586/2	FCS0586/3
RSV 1000 TUONO	1000	2002	→ 2005	FSS0503	FCD0697	FCD0697/1		
RSV 1000 TUONO FIGTHER	1000	2003	→ 2005	FSS0503	FCD0697	FCD0697/1		
RSV-R 1000 FACTORY	1000	2004	→ 2008	FSS0503	FCD0697	FCD0697/1		
RSV-R 1000 MILLE	1000	2000	→ 2002	FSS0503	FCD0586	FCD0586/1	FCS0586/2	FCS0586/3
RSV-R 1000 MILLE	1000	2003	→ 2005	FSS0503	FCD0697	FCD0697/1		
RSV-R 1000 TUONO	1000	2003	→ 2005	FSS0503	FCD0697	FCD0697/1		
RSV-R 1000 TUONO FACTORY	1000	2006	→ 2009	FSS0503	FCD0697	FCD0697/1		
RSV4 1000 FACTORY	1000	2009	→ 2010		FCD0698	FCD0698/1	FCS0698/2	FCS0698/3
RSV4 1000 FACTORY ABS	1000	2013	→		FCD0699	FCD0699/1		
RSV4 1000 FACTORY APRC	1000	2011	→ 2012		FCD0699	FCD0699/1		
RSV4 1000 FACTORY APRC R - ABS	1000	2011	→ 2013		FCD0699	FCD0699/1		
RSV4 1000 FACTORY APRC STD-SE	1000	2011	→ 2012		FCD0699	FCD0699/1		
RSV4 1000 SBK RACING	1000	2009	→ 2010		FCD0698	FCD0698/1	FCS0698/2	FCS0698/3
RSV4-R 1000	1000	2010	→		FCD0698	FCD0698/1	FCS0698/2	FCS0698/3
RSV4-R 1000 APRC - ABS	1000	2011	→ 2014		FCD0699	FCD0699/1		
SL 1000 FALCO	1000	2000	→ 2003	FSS0503	FCD0586	FCD0586/1	FCS0586/2	FCS0586/3
TUONO 1000 V4R APRC	1000	2014	→		FCD0699	FCD0699/1		
TUONO 1000 V4R STD APRC	1000	2011	→ 2013		FCD0699	FCD0699/1		

BERINI

ANKER 1 old models	1	→		FCD0658				
--------------------	---	---	--	---------	--	--	--	--

BETA

MX 50 ENDURO	50	1992	→		FCD0648			
MX4 50 Special	50	1970	→		FCD0648			
MX6 50	50	1982	→		FCD0648			
MX6 50 EXPORT	50	1977	→		FCD0648			
RX 50	50	1984	→		FCD0648			
RK 60	60		→		FCD0664			
TZR 125 motore Minarelli RK 6	125		→		FCD0531			
ALP 240	240	1991	→ 1995		FCD0643		FCS0643/2	
TR 240	240	1980	→ 1983		FCD0643		FCS0643/2	
TR 32 240	240	1984	→ 1985		FCD0643		FCS0643/2	
TR 32 240 (mozzo ant autocentrante)	240	1984	→ 1985		FCD0643		FCS0643/2	
TR 33 240	240	1986	→ 1988		FCD0643		FCS0643/2	
TR 33 TREKKING 240	240	1987	→		FCD0643		FCS0643/2	
TREKKING 240	240	1987	→		FCD0643		FCS0643/2	
TECHNO 250	250	1994	→ 1999		FCD0574	FCD0574/1		
TR 34 250	250	1987	→ 1988		FCD0643		FCS0643/2	
TR 34 250 (SPAIN)	250	1989	→		FCD0643		FCS0643/2	
TR 34 250 PROFESSIONAL	250	1989	→		FCD0643		FCS0643/2	
TR 35 250	250	1990	→ 1991		FCD0564			

FCDXXXX STANDARD FRICTION PLATES ONLY
 FCDXXXX/1 HIGH PERFORMANCE FRICTION PLATES ONLY
 FCSXXXX/2 STANDARD FRICTION PLATES + STEEL PLATES
 FCSXXXX/3 HIGH PERFORMANCE FRICTION PLATES + STEEL PLATES



KIT RANGE



STANDARD
HIGH PERFORMANCE



STANDARD
HIGH PERFORMANCE

BETA

TR 35 250	250	1992	→		FCD0564			
TR 36 250	250	1992	→		FCD0564			
TECHNO 352	352	1996	→		FCD0574	FCD0574/1		

BMW

R 45 450 (21_0067 - 248)(da 09/80)	450	1980	→	1985	FCD0627				
R 45 450 (21_0068 - 248)(a 09/80)	450	1978	→	1980	FCD0657				
R 45 N 450 (21_0067 - 248)(da 09/80)	450	1980	→	1985	FCD0627				
R 45 T 450	450	1980	→	1985	FCD0627				
R 45 T/N 450	450	1980	→	1985	FCD0627				
R 50/5 500	500	1969	→	1973	FCD0540				
R 60 TIC 600	600	1978	→	1982	FCD0540				
R 60/5 600	600	1969	→	1973	FCD0540				
R 60/6 600	600	1973	→	1976	FCD0540				
R 60/7 600	600	1976	→	1980	FCD0540				
F 650	650	1993	→	2003	FSS0503	FCD0641	FCD0641/1	FCS0641/2	FCS0641/3
F 650 CS SCARVER	650	2000	→	2003	FSS0503	FCD0688	FCD0688/1	FCS0688/2	FCS0688/3
F 650 CS SCARVER	650	2004	→	2007	FSS0503	FCD0689	FCD0689/1		
F 650 DAKAR	650	1999	→	2003	FSS0503	FCD0688	FCD0688/1	FCS0688/2	FCS0688/3
F 650 DAKAR	650	2004	→	2007	FSS0503	FCD0689	FCD0689/1		
F 650 GS	650	1999	→	2003	FSS0503	FCD0688	FCD0688/1	FCS0688/2	FCS0688/3
F 650 GS	650	2004	→	2007	FSS0503	FCD0689	FCD0689/1		
F 650 GS ABS	650	2002	→	2003	FSS0503	FCD0688	FCD0688/1	FCS0688/2	FCS0688/3
F 650 GS ABS	650	2004	→	2007	FSS0503	FCD0689	FCD0689/1		
F 650 ST	650	1996	→	2000	FSS0503	FCD0641	FCD0641/1	FCS0641/2	FCS0641/3
F 650 ST STRADA	650	1997	→	2000	FSS0503	FCD0641	FCD0641/1	FCS0641/2	FCS0641/3
R 65 650 (21_0067 - 248)(da 09/80)	650	1980	→	1985	FCD0627				
R 65 650 (21_0068 - 248)(a 09/80)	650	1978	→	1980	FCD0657				
R 65 650 20 KW	650	1985	→	1993	FCD0627				
R 65 650 35 KW	650	1985	→	1988	FCD0627				
R 65 650 GS	650	1987	→	1992	FCD0627				
R 65 650 LS	650	1981	→	1985	FCD0627				
R 65 RT 650	650	1985	→	1988	FCD0627				
R 65 T 650	650	1980	→	1985	FCD0627				
K 75 750	750	1984	→	1988	FCD0529				
K 75 C 750 C	750	1985	→	1988	FCD0529				
K 75 RT 750	750	1989	→	2005	FCD0529				
K 75 S 750	750	1988	→	1995	FCD0529				
R 75/5 750	750	1969	→	1975	FCD0540				
R 75/5 750	750	1976	→	1980	FCD0540				
R 75/6 750	750	1973	→	1976	FCD0540				
R75/7 750	750	1975	→	1979	FCD0540				
R 80 800 (single disc)	800	1977	→	1984	FCD0627				
R 80 800 (twin disc)	800	1977	→	1984	FCD0627				
R 80 GS 800	800	1980	→	1995	FCD0627				
R 80 GS 800 PD	800	1990	→	1995	FCD0627				
R 80 R 800 (single disc)	800	1984	→	1995	FCD0627				
R 80 R 800 (twin disc)	800	1984	→	1995	FCD0627				
R 80 R 800 R	800	1991	→	1994	FCD0627				
R 80 R 800 R MYSTIK	800	1994	→	1995	FCD0627				
R 80 RT 800 (single disc)	800	1984	→	1995	FCD0627				
R 80 RT 800 (twin disc)	800	1982	→	1995	FCD0627				
R 80 ST 800	800	1982	→	1984	FCD0627				
R 80 TIC 800 (21_0067 - 2474)(da 09/80)	800	1980	→	1985	FCD0627				
R 80 TIC 800 (21_0072 - 2474)(a 09/80)	800	1977	→	1980	FCD0540				
R 850 C	850	1997	→	2000	FCD0617				
R 850 GS	850	1996	→	2000	FCD0652				
R 850 R (21_0097 - 259R)	850	1994	→	2001	FCD0652				
R 850 R (21_0097 - 259R)	850	2002	→		FCD0652				
R 850 R (21_0145 - R28)	850	1999	→	2007	FCD0617				
R 850 RT (21_0097 - 259T)	850	1996	→	2001	FCD0652				
R 850 RT (21_0145 - R22)	850	2000	→	2006	FCD0617				
R 90 S 900	900	1973	→	1976	FCD0540				
R 90/6 900	900	1973	→	1976	FCD0540				
R 900 RT	900	2005	→	2009	FCD0738				
K 1 1000	1000	1988	→	1993	FCD0652				
K 100 1000	1000	1982	→	1988	FCD0652				
K 100 LT 1000	1000	1986	→	1991	FCD0652				
K 100 RS 1000	1000	1989	→	1992	FCD0652				
K 100 RT 1000	1000	1983	→	1988	FCD0652				
K 100 RT 1000	1000	1989	→		FCD0652				
R 100 1000 S	1000	1976	→	1980	FCD0540				
R 100 1000 S (da 09/80)	1000	1980	→		FCD0540				
R 100 CS 1000	1000	1980	→	1984	FCD0627				
R 100 GS 1000	1000	1986	→	1994	FCD0627				

BETA

20002

FERODO
MOTORCYCLE CLUTCHES
Updated on 9th Oct 2015

FCDXXXX
FCDXXXX/1
FCSXXXX/2
FCSXXXX/3

STANDARD
HIGH PERFORMANCE
STANDARD
HIGH PERFORMANCE

FRICITION PLATES ONLY
FRICITION PLATES ONLY
FRICITION PLATES + STEEL PLATES
FRICITION PLATES + STEEL PLATES



KIT RANGE



STANDARD
HIGH PERFORMANCE



STANDARD
HIGH PERFORMANCE

...BMW

Model	Capacity	Year Range	Code	Standard Kit	High Performance Kit	Standard Kit	High Performance Kit
R 100 GS 1000 PD	1000	1989 → 1996		FCD0627			
R 100 R 1000	1000	1991 → 1995		FCD0627			
R 100 R 1000 MYSTIK	1000	1993 → 1996		FCD0627			
R 100 RS 1000 (21_0067 - 2474)(da 09/80)	1000	1980 → 1984		FCD0627			
R 100 RS 1000 (21_0067 - 2478)	1000	1986 → 1992		FCD0627			
R 100 RS 1000 (21_0072 - 2474)(a 09/80)	1000	1976 → 1980		FCD0540			
R 100 RT 1000	1000	1987 → 1995		FCD0627			
R 100 RT 1000 (21_0067 - 2474)(da 09/80)	1000	1980 → 1984		FCD0627			
R 100 RT 1000 (21_0072 - 2474)(a 09/80)	1000	1978 → 1980		FCD0540			
R 100 TIC 1000	1000	1980 → 1984		FCD0627			
R 100/7 1000	1000	1976 → 1977		FCD0540			
R 100/7T 1000 (21_0067 - 2474)(da 09/80)	1000	1980 → 1984		FCD0627			
R 100/7T 1000 (21_0072 - 2474)(a 09/80)	1000	1977 → 1980		FCD0540			
S 1000 R	1000	2013 → 2014			FCD0752/1		FCS0752/3
S 1000 RR	1000	2009 → 2015			FCD0752/1		FCS0752/3
S 1000 RR HP4	1000	2013 →			FCD0752/1		FCS0752/3
K 1100 LT	1100	1989 → 1999		FCD0652			
K 1100 LT / SE	1100	1992 → 2000		FCD0652			
K 1100 RS	1100	1992 → 1996		FCD0652			
R 1100 GS	1100	1993 → 1999		FCD0652			
R 1100 R	1100	1993 → 2001		FCD0652			
R 1100 RS	1100	1992 → 2001		FCD0652			
R 1100 RT	1100	1994 → 2001		FCD0652			
R 1100 S	1100	1996 → 2005		FCD0617			
R 1100 S BOXER CUP REPLICA	1100	2003 → 2006		FCD0617			
R 1150 GS	1150	2000 → 2003		FCD0617			
R 1150 GS ADV	1150	2001 → 2005		FCD0617			
R 1150 R	1150	1999 → 2006		FCD0617			
R 1150 R ROCKSTER	1150	2002 → 2005		FCD0617			
R 1150 RS	1150	2000 → 2004		FCD0617			
R 1150 RT	1150	2000 → 2006		FCD0617			
HP2 1200 ENDURO	1200	2005 → 2009		FCD0738			
HP2 1200 MEGAMOTO	1200	2007 →		FCD0738			
HP2 1200 MEGAMOTO	1200	2008 → 2010		FCD0738			
HP2 1200 SPORT	1200	2008 → 2011		FCD0738			
K 1200 GT (K41)	1200	2002 → 2005		FCD0653			
K 1200 LT	1200	1997 → 2008		FCD0653			
K 1200 RS	1200	1996 → 2000		FCD0653			
K 1200 RS	1200	2001 → 2005		FCD0653			
R 1200 C	1200	1996 → 2002		FCD0617			
R 1200 C I/M	1200	2003 → 2004		FCD0617			
R 1200 C INDEPENDENT	1200	2003 →		FCD0617			
R 1200 C MONTAUK	1200	2004 →		FCD0617			
R 1200 CI	1200	2000 → 2003		FCD0617			
R 1200 CL	1200	2001 → 2004		FCD0617			
R 1200 GS	1200	2008 → 2012		FCD0738			
R 1200 GS ADV	1200	2008 → 2012		FCD0738			
R 1200 MONTAUK	1200	2002 → 2004		FCD0617			
R 1200 R 10	1200	2009 → 2012		FCD0738			
R 1200 RT	1200	2003 → 2013		FCD0738			
R 1200 S	1200	2004 → 2006		FCD0738			
R 1200 ST	1200	2003 → 2004		FCD0738			
R 1200 ST	1200	2005 →		FCD0738			

BULTACO

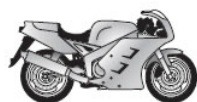
Model	Capacity	Year Range	Code	Standard Kit	High Performance Kit	Standard Kit	High Performance Kit
LOBITO 50	50	1999 → 2013	FSS0507	FCD0585	FCD0585/1	FCS0585/2	FCS0585/3
LOBITO 74	74	1976 →				FCS0616/2	
BRINCO 75	75	1973 → 1976				FCS0659/2	
FRONTERA 75	75	1976 → 1981				FCS0616/2	
JUNIOR 75	75	→				FCS0749/2	
JUNIOR 75 GT2	75	→				FCS0749/2	
LOBITO 75 MK3	75	1969 → 1972				FCS0616/2	
LOBITO 75 MK6	75	1973 →				FCS0659/2	
LOBITO 75 MK8	75	1974 →				FCS0746/2	
LOBITO 75 MK8	75	1975 →				FCS0745/2	
STREAKER 75	75	1977 → 1982				FCS0616/2	
TIRON 75	75	1971 → 1974				FCS0746/2	
JUNIOR 100	100	→				FCS0749/2	
LOBITO 100 MK3	100	1969 → 1972				FCS0616/2	
SHERPA S 100	100	1961 → 1972				FCS0748/2	
FRONTERA 125	125	1976 → 1981				FCS0616/2	
JUNIOR 125	125	→				FCS0749/2	
LOBITO 125	125	→				FCS0616/2	
LOBITO 125 MK3	125	1969 → 1972				FCS0616/2	
LOBITO 125 MK4/5/7/8	125	1971 → 1975				FCS0616/2	

FCDXXXX STANDARD FRICTION PLATES ONLY
 FCDXXXX/1 HIGH PERFORMANCE FRICTION PLATES ONLY
 FCSXXXX/2 STANDARD FRICTION PLATES + STEEL PLATES
 FCSXXXX/3 HIGH PERFORMANCE FRICTION PLATES + STEEL PLATES

FERODO
 MOTORCYCLE CLUTCHES
 Updated on 9th Oct 2015

2003

BULTACO



KIT RANGE



STANDARD HIGH PERFORMANCE



STANDARD HIGH PERFORMANCE

...BULTACO

LOBITO 125 MK6	125	1973	→					FCS0747/2
PURSANG 125 MK5	125	1972	→					FCS0605/2
PURSANG 125 MK6	125	1973	→					FCS0605/2
PURSANG 125 MK7/8	125	1974	→ 1975					FCS0616/2
PURSANG 125 MK9/10	125	1976	→ 1977					FCS0616/2
SHERPA S 125	125	1961	→ 1972					FCS0748/2
STREAKER 125	125	1977	→ 1982					FCS0616/2
TSS 125	125		→					FCS0605/2
155 150	150		→					FCS0749/2
TRALLA 150 101/102	150		→					FCS0749/2
MERCURIO 155	155	1966	→ 1974					FCS0749/2
SHERPA N 155	155	1960	→ 1965					FCS0749/2
CAMPERA 175 MK2	175	1969	→ 1972					FCS0616/2
LOBITO 175 MK4/5/6/7/8	175	1971	→ 1975					FCS0616/2
MERCURIO 175	175	1966	→ 1974					FCS0749/2
SENIOR 175	175		→					FCS0743/2
SHERPA S 175	175	1961	→ 1972					FCS0748/2
EL TIGRE 200	200	1966	→ 1969					FCS0616/2
PURSANG 200 METISE	200		→					FCS0743/2
PURSANG 200 MK8/9/10	200	1974	→ 1977					FCS0616/2
SATURNO 200	200		→					FCS0743/2
SHERPA N 200	200		→					FCS0749/2
SHERPA S 200	200	1961	→ 1972					FCS0748/2
TSS 200	200		→					FCS0605/2
ALPINA 250	250	1971	→ 1980					FCS0616/2
ASTRO 105 250	250	1973	→					FCS0605/2
ASTRO 145 250	250	1975	→ 1976					FCS0616/2
ASTRO 163 250	250	1977	→					FCS0616/2
ASTRO 195 250	250	1978	→ 1979					FCS0605/2
ASTRO 90 250	250	1972	→					FCS0605/2
FRONTERA 250 GM	250	1977	→ 1979					FCS0616/2
FRONTERA 250 MK10	250	1977	→ 1978					FCS0605/2
FRONTERA 250 MK11/12	250	1979	→ 1981					FCS0649/2
FRONTERA 250 MK9	250	1975	→ 1976					FCS0616/2
MATADOR 250 MK2	250		→					FCS0743/2
MATADOR 250 MK3/4/5/9/10	250	1967	→ 1979					FCS0616/2
METRALLA 250 GT/GTS	250	1975	→ 1980					FCS0616/2
METRALLA 250 MK2	250	1966	→ 1974					FCS0616/2
PURSANG 250 MK11/12	250	1978	→					FCS0649/2
PURSANG 250 MK2/3/4	250	1967	→ 1971					FCS0748/2
PURSANG 250 MK5	250	1972	→					FCS0605/2
PURSANG 250 MK6	250	1973	→					FCS0605/2
PURSANG 250 MK7/8/10	250	1975	→ 1977					FCS0616/2
SHERPA 250 T MO	250	1971	→ 1981					FCS0616/2
SHERPA T 250 (MOD 49)	250	1968	→ 1971					FCS0748/2
TSS 250	250		→					FCS0605/2
ALPINA 350	350	1971	→ 1980					FCS0616/2
BANDIDO 350 MK1/2/3	350	1967	→ 1973					FCS0744/2
MONTADERO 350 MK1/2/3	350	1968	→ 1971					FCS0744/2
PURSANG 350 MK11/12	350	1978	→					FCS0649/2
PURSANG 350 MK5	350	1972	→					FCS0605/2
PURSANG 350 MK6	350	1973	→					FCS0605/2
SHERPA 350 T MO	350	1971	→ 1981					FCS0616/2
ASTRO 105 360	360	1973	→					FCS0605/2
ASTRO 125 360	360	1974	→					FCS0605/2
ASTRO 146 360	360	1975	→ 1976					FCS0605/2
ASTRO 164 360	360	1977	→					FCS0605/2
ASTRO 90 360	360	1972	→					FCS0605/2
BANDIDO 360 MK1/2/3	360	1967	→ 1973					FCS0744/2
FRONTERA 360 MK9	360	1975	→ 1976					FCS0605/2
MONTADERO 360 MK1/2/3	360	1968	→ 1971					FCS0744/2
MONTJUIC 360	360	1980	→					FCS0616/2
PURSANG 360 MK7/8	360	1974	→ 1975					FCS0605/2
FRONTERA 370 GM	370	1977	→ 1979					FCS0605/2
FRONTERA 370 MK10	370	1977	→ 1978					FCS0605/2
FRONTERA 370 MK11/12	370	1979	→ 1981					FCS0649/2
PURSANG 370 MK9/10	370	1976	→ 1977					FCS0605/2

CAGIVA

COCIS 50	50	1988	→		FCD0592	FCD0592/1		
MITO 50	50	1998	→ 2001	FSS0507	FCD0585	FCD0585/1	FCS0585/2	FCS0585/3
COCHIS 75	75	1989	→		FCD0741	FCD0741/1		
ALETTA 125 ORO S2	125	1986	→	FSS0515	FCD0593	FCD0593/1	FCS0593/2	FCS0593/3
BLUES 125	125	1988	→ 1992	FSS0515	FCD0593	FCD0593/1	FCS0593/2	FCS0593/3
BLUES 125	125	1993	→	FSS0515	FCD0593	FCD0593/1	FCS0593/2	FCS0593/3

20004

FERODO
MOTORCYCLE CLUTCHES
Updated on 9th Oct 2015

FCDXXXX
FCDXXXX/1
FCSXXXX/2
FCSXXXX/3

STANDARD
HIGH PERFORMANCE
STANDARD
HIGH PERFORMANCE

FRICITION PLATES ONLY
FRICITION PLATES ONLY
FRICITION PLATES + STEEL PLATES
FRICITION PLATES + STEEL PLATES

BULTACO



...CAGIVA

				KIT RANGE				
				STANDARD	HIGH PERFORMANCE	STANDARD	HIGH PERFORMANCE	
CRUISER 125	125	1987	→	FSS0515	FCD0593	FCD0593/1	FCS0593/2	FCS0593/3
DAKAR 125	125	1985	→		FCD0614	FCD0614/1	FCS0614/2	FCS0614/3
ELEFANT 125	125	1984	→		FCD0614	FCD0614/1	FCS0614/2	FCS0614/3
ELEFANT 125	125	1985	→ 1986		FCD0614	FCD0614/1	FCS0614/2	FCS0614/3
ELEFANTRE 125	125	1987	→	FSS0515	FCD0593	FCD0593/1	FCS0593/2	FCS0593/3
FRECCIA 125 C10 all models	125	1988	→		FCD0614	FCD0614/1	FCS0614/2	FCS0614/3
FRECCIA 125 C12 R	125	1989	→	FSS0515	FCD0593	FCD0593/1	FCS0593/2	FCS0593/3
FRECCIA 125 C9	125	1988	→		FCD0614	FCD0614/1	FCS0614/2	FCS0614/3
MITO 125	125	1991	→ 1992	FSS0515	FCD0593	FCD0593/1	FCS0593/2	FCS0593/3
MITO 125 EDDY	125	1993	→	FSS0515	FCD0593	FCD0593/1	FCS0593/2	FCS0593/3
MITO 125 EURO 2	125	2005	→	FSS0515	FCD0593	FCD0593/1	FCS0593/2	FCS0593/3
MITO 125 EV	125	1994	→ 2003	FSS0515	FCD0593	FCD0593/1	FCS0593/2	FCS0593/3
MITO 2 125 PRODUCTION RACER	125	1994	→	FSS0515	FCD0593	FCD0593/1	FCS0593/2	FCS0593/3
SST 125 LOW RIDER	125	1983	→		FCD0577		FCS0577/2	
SST 125 ruota integrale	125	1981	→		FCD0577		FCS0577/2	
SST 125 ruota raggi	125	1981	→		FCD0577		FCS0577/2	
SXT 125	125	1982	→		FCD0614	FCD0614/1	FCS0614/2	FCS0614/3
TAMANACO 125	125	1988	→	FSS0515	FCD0593	FCD0593/1	FCS0593/2	FCS0593/3
WMX 125	125		→ 1982	FSS0515	FCD0593	FCD0593/1	FCS0593/2	FCS0593/3
WMX 125 (mozzi Rimoldi)	125	1984	→	FSS0515	FCD0593	FCD0593/1	FCS0593/2	FCS0593/3
WMX 125 /3	125		→ 1983	FSS0515	FCD0593	FCD0593/1	FCS0593/2	FCS0593/3
WMX 125 CROSS	125	1986	→	FSS0515	FCD0593	FCD0593/1	FCS0593/2	FCS0593/3
WR 125	125	1993	→	FSS0515	FCD0593	FCD0593/1	FCS0593/2	FCS0593/3
WRX 125	125	1982	→	FSS0515	FCD0593	FCD0593/1	FCS0593/2	FCS0593/3
WRX 125 /1	125	1983	→	FSS0515	FCD0593	FCD0593/1	FCS0593/2	FCS0593/3
WSXT 125 ALETTA ROSSA	125	1983	→		FCD0614	FCD0614/1	FCS0614/2	FCS0614/3
MXR 250	250	1981	→		FCD0610		FCS0610/2	
RX 250	250	1981	→		FCD0610		FCS0610/2	
SX 250	250	1982	→		FCD0594	FCD0594/1	FCS0594/2	FCS0594/3
ALA ROSSA 350	350	1983	→		FCD0610		FCS0610/2	
RX 350	350	1983	→		FCD0610		FCS0610/2	
T4 350 R - ER	350	1987	→		FCD0610		FCS0610/2	
ELEFANT 750	750	1993	→ 1995		FCD0568		FCS0568/2	
ELEFANT 900 I.E.- GT - AC	900	1991	→ 1994		FCD0671		FCS0671/2	
NAVIGATOR 1000	1000	2000	→ 2005		FCD0347	FCD0347/1		
RAPTOR 1000	1000	2000	→ 2006		FCD0347	FCD0347/1		
RAPTOR 1000 XTRA	1000	2002	→ 2004		FCD0347	FCD0347/1		
V-RAPTOR 1000	1000	2000	→ 2006		FCD0347	FCD0347/1		
X-RAPTOR 1000	1000	2003	→		FCD0347	FCD0347/1		

CASAL

old models 1	1		→		FCD0552			
old models 1 CASAL-SACHS	1		→		FCD0670			

DERBI

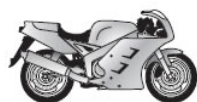
DERBI 50	50		→		FCD0622			
DIABLO 50 SUPER	50		→		FCD0553			
DS 50 WORLD CHAMPION	50	1988	→		FCD0533			
FDS 50	50	1986	→		FCD0533			
FENIX 50	50	1994	→		FCD0645			
FENIX 50	50	1995	→ 1998		FCD0645			
GPR 50 NUDE	50	2004	→	FSS0507	FCD0585	FCD0585/1	FCS0585/2	FCS0585/3
GPR 50 NUDE	50	2006	→ 2008	FSS0507	FCD0585	FCD0585/1	FCS0585/2	FCS0585/3
GPR 50 NUDE SPORT	50	2008	→	FSS0507	FCD0585	FCD0585/1	FCS0585/2	FCS0585/3
GPR 50 NUDE TUNING	50	2006	→ 2008	FSS0507	FCD0585	FCD0585/1	FCS0585/2	FCS0585/3
GPR 50 R DRD PRO EU2	50	2005	→ 2009	FSS0507	FCD0585	FCD0585/1	FCS0585/2	FCS0585/3
GPR 50 R DRD RACING EU2	50	2005	→ 2008	FSS0507	FCD0585	FCD0585/1	FCS0585/2	FCS0585/3
GPR 50 R EU2 - REPLICA EU2	50	2008	→	FSS0507	FCD0585	FCD0585/1	FCS0585/2	FCS0585/3
GPR 50 R X-RACE EU2	50	2006	→ 2009	FSS0507	FCD0585	FCD0585/1	FCS0585/2	FCS0585/3
GPR 50 R X-TREME EU2	50	2005	→ 2008	FSS0507	FCD0585	FCD0585/1	FCS0585/2	FCS0585/3
GPR 50 RACING EU2	50	2006	→	FSS0507	FCD0585	FCD0585/1	FCS0585/2	FCS0585/3
GPR 50 REPLICA - R EU2	50	2006	→	FSS0507	FCD0585	FCD0585/1	FCS0585/2	FCS0585/3
GPR 50 REPLICA 2T	50	2007	→	FSS0507	FCD0585	FCD0585/1	FCS0585/2	FCS0585/3
GPR 50 REPLICA PESEK EU2	50	2007	→	FSS0507	FCD0585	FCD0585/1	FCS0585/2	FCS0585/3
GPR 50 SM DRD RACING EU2	50	2005	→ 2008	FSS0507	FCD0585	FCD0585/1	FCS0585/2	FCS0585/3
GPR 50 SM DRD RACING LTD EU2	50	2007	→	FSS0507	FCD0585	FCD0585/1	FCS0585/2	FCS0585/3
GPR 50 SM X-RACE EU2	50	2006	→ 2009	FSS0507	FCD0585	FCD0585/1	FCS0585/2	FCS0585/3
GPR 50 SM X-TREME EU2	50	2005	→ 2008	FSS0507	FCD0585	FCD0585/1	FCS0585/2	FCS0585/3
old models 50 (3 dischi)	50		→		FCD0525			
old models 50 (5 dischi)	50		→		FCD0613			
RD 2 50	50	1989	→		FCD0533			
SENDA 50	50	1994	→	FSS0507	FCD0585	FCD0585/1	FCS0585/2	FCS0585/3
SENDA 50 EX	50	1995	→ 1997	FSS0507	FCD0585	FCD0585/1	FCS0585/2	FCS0585/3
SENDA 50 L	50	1999	→	FSS0507	FCD0585	FCD0585/1	FCS0585/2	FCS0585/3

FCDXXXX STANDARD FRICTION PLATES ONLY
FCDXXXX/1 HIGH PERFORMANCE FRICTION PLATES ONLY
FCSXXXX/2 STANDARD FRICTION PLATES + STEEL PLATES
FCSXXXX/3 HIGH PERFORMANCE FRICTION PLATES + STEEL PLATES

FERODO
 MOTORCYCLE CLUTCHES
 Updated on 9th Oct 2015

2005

DERBI



KIT RANGE

STANDARD	HIGH PERFORMANCE	STANDARD	HIGH PERFORMANCE
----------	------------------	----------	------------------

...DERBI

SENDA 50 L 6V	50	1994 → 1997	FSS0507	FCD0585	FCD0585/1	FCS0585/2	FCS0585/3
SENDA 50 R	50	1994 → 2004	FSS0507	FCD0585	FCD0585/1	FCS0585/2	FCS0585/3
SENDA 50 R 6V	50	1994 → 1997	FSS0507	FCD0585	FCD0585/1	FCS0585/2	FCS0585/3
SENDA 50 R DRD	50	2003 → 2004	FSS0507	FCD0585	FCD0585/1	FCS0585/2	FCS0585/3
SENDA 50 R RACER	50	2002 →	FSS0507	FCD0585	FCD0585/1	FCS0585/2	FCS0585/3
SENDA 50 R XTREAM	50	2000 → 2001	FSS0507	FCD0585	FCD0585/1	FCS0585/2	FCS0585/3
SENDA 50 SM	50	1999 →	FSS0507	FCD0585	FCD0585/1	FCS0585/2	FCS0585/3
SENDA 50 SM DRD BLACK EDITION	50	2003 →	FSS0507	FCD0585	FCD0585/1	FCS0585/2	FCS0585/3
SENDA 50 SM DRD RACING	50	2003 → 2004	FSS0507	FCD0585	FCD0585/1	FCS0585/2	FCS0585/3
SENDA 50 SM DRD RACING LTD	50	2005 →	FSS0507	FCD0585	FCD0585/1	FCS0585/2	FCS0585/3
SENDA 50 SM DRT	50	2002 →	FSS0507	FCD0585	FCD0585/1	FCS0585/2	FCS0585/3
SENDA 50 SM RACER	50	2002 →	FSS0507	FCD0585	FCD0585/1	FCS0585/2	FCS0585/3
SENDA 50 SM XTREAM	50	2000 → 2001	FSS0507	FCD0585	FCD0585/1	FCS0585/2	FCS0585/3
SENDA 50 SR	50	1999 →	FSS0507	FCD0585	FCD0585/1	FCS0585/2	FCS0585/3
SENDA 50 SR	50	2001 →	FSS0507	FCD0585	FCD0585/1	FCS0585/2	FCS0585/3
SENDA 50 SUPERMOTARD	50	1997 → 1999	FSS0507	FCD0585	FCD0585/1	FCS0585/2	FCS0585/3
SENDA 50 SUPERMOTARD	50	2000 →	FSS0507	FCD0585	FCD0585/1	FCS0585/2	FCS0585/3
SENDA 50 X-TREME	50	1994 → 2004	FSS0507	FCD0585	FCD0585/1	FCS0585/2	FCS0585/3
TRICAMPEONA 50 7 C-4	50	→		FCD0553			
GPR 80 CUP	80	2004 →	FSS0507	FCD0585	FCD0585/1	FCS0585/2	FCS0585/3

DUCATI

Tutti i modelli con campana speciale 48 denti EVR-NF/All models with special bell 48 teeth EVR-NF		→		FCD0701		FCS0701/2	
Tutti i modelli con campana speciale 48 denti EVR-NF/All models with special bell 48 teeth EVR-NF		→		FCD0702		FCS0702/2	
Tutti i modelli con campana speciale 48 denti EVR-NF/All models with special bell 48 teeth EVR-NF		→		FCD0703		FCS0703/2	
Tutti i modelli con campana speciale 48 denti EVR-NF/All models with special bell 48 teeth EVR-NF		→		FCD0718		FCS0718/2	
Tutti i modelli con campana speciale 48 denti EVR-NF/All models with special bell 48 teeth EVR-NF		→		FCD0719		FCS0719/2	
Tutti i modelli con campana speciale 48 denti STM/All models with special bell 48 teeth STM		→		FCD0576		FCS0576/2	
MONSTER 400	400	1995 → 1999		FCD0568		FCS0568/2	
MONSTER 400	400	2000 → 2008		FCD0665	FCD0665/1	FCS0665/2	FCS0665/3
MONSTER 400 DARK IE	400	2005 →		FCD0665	FCD0665/1	FCS0665/2	FCS0665/3
SUPERSPORT 400	400	1993 → 1997		FCD0568		FCS0568/2	
550 SUPERMONO	550	1992 →		FCD0620		FCS0620/2	
MONSTER 600	600	1993 → 1997		FCD0568		FCS0568/2	
MONSTER 600	600	1998 → 1999		FCD0665	FCD0665/1	FCS0665/2	FCS0665/3
MONSTER 600	600	2000 → 2001		FCD0665	FCD0665/1	FCS0665/2	FCS0665/3
MONSTER 600 CITY - CITY DARK -DARK	600	1999 →		FCD0665	FCD0665/1	FCS0665/2	FCS0665/3
MONSTER 600 DARK	600	1998 →		FCD0665	FCD0665/1	FCS0665/2	FCS0665/3
SUPERSPORT 600	600	1991 → 1997		FCD0568		FCS0568/2	
MONSTER 620	620	2005 → 2006		FCD0720		FCS0720/2	
MONSTER 620 (5 marce - single disk)	620	2004 →		FCD0665	FCD0665/1	FCS0665/2	FCS0665/3
MONSTER 620 (6 marce)	620	2004 →		FCD0720		FCS0720/2	
MONSTER 620 DARK	620	2005 → 2006		FCD0720		FCS0720/2	
MONSTER 620 DARK (single disk)	620	2005 →		FCD0720		FCS0720/2	
MONSTER 620 IE	620	2002 → 2003		FCD0665	FCD0665/1	FCS0665/2	FCS0665/3
MULTISTRADA 620	620	2006 →		FCD0720		FCS0720/2	
MULTISTRADA 620 DARK	620	2006 →		FCD0720		FCS0720/2	
SPORT 620	620	2003 →		FCD0665	FCD0665/1	FCS0665/2	FCS0665/3
MONSTER 695	695	2007 → 2012		FCD0720		FCS0720/2	
MONSTER 696 (700cc)	700	2008 → 2013		FCD0720		FCS0720/2	
748	748	2002 →		FCD0671		FCS0671/2	
748 BIPOSTO	748	2001 →		FCD0672		FCS0672/2	
748 BIPOSTO - SP	748	1995 → 2001		FCD0671		FCS0671/2	
748 RACING (con antisaltellamento)	748	1998 → 1999		FCD0669		FCS0669/2	
748 RS (con antisaltellamento)	748	2000 → 2001		FCD0669		FCS0669/2	
748 S	748	2000 → 2002		FCD0671		FCS0671/2	
748 SPS	748	1998 → 1999		FCD0671		FCS0671/2	
748 TESTA BASSA	748	2001 →		FCD0671		FCS0671/2	
749 (748cc)	748	2003 → 2006		FCD0672		FCS0672/2	
749 DARK (748cc)	748	2004 → 2006		FCD0672		FCS0672/2	
749 R (748cc)	748	2004 → 2006		FCD0669		FCS0669/2	
749 S (748cc)	748	2003 → 2006		FCD0672		FCS0672/2	
MONSTER 750	750	1996 → 1997		FCD0568		FCS0568/2	
MONSTER 750	750	1998 → 2001		FCD0665	FCD0665/1	FCS0665/2	FCS0665/3
MONSTER 750 CITY - CITY DARK	750	1999 →		FCD0665	FCD0665/1	FCS0665/2	FCS0665/3
MONSTER 750 IE	750	2002 →		FCD0665	FCD0665/1	FCS0665/2	FCS0665/3
SPORT 750	750	2000 → 2002		FCD0665	FCD0665/1	FCS0665/2	FCS0665/3
SUPERSPORT 750	750	1991 → 1997		FCD0568		FCS0568/2	
SUPERSPORT 750	750	1999 →		FCD0665	FCD0665/1	FCS0665/2	FCS0665/3
SUPERSPORT 750 IE	750	2000 → 2002		FCD0665	FCD0665/1	FCS0665/2	FCS0665/3
MONSTER 795	795	2013 →		FCD0720		FCS0720/2	
HYPERMOTARD 796 (800cc)	800	2010 → 2012		FCD0720		FCS0720/2	
MONSTER 796 (800cc)	800	2011 → 2014		FCD0720		FCS0720/2	
MONSTER 800	800	2003 → 2004		FCD0665	FCD0665/1	FCS0665/2	FCS0665/3
MONSTER 800 S2R	800	2005 → 2007		FCD0720		FCS0720/2	

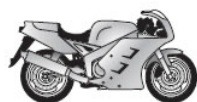
2006

FERODO
MOTORCYCLE CLUTCHES
Updated on 9th Oct 2015

FCDXXXX
FCDXXXX/1
FCSXXXX/2
FCSXXXX/3

STANDARD
HIGH PERFORMANCE
STANDARD
HIGH PERFORMANCE

FRICITION PLATES ONLY
FRICITION PLATES ONLY
FRICITION PLATES + STEEL PLATES
FRICITION PLATES + STEEL PLATES



KIT RANGE



STANDARD HIGH PERFORMANCE



STANDARD HIGH PERFORMANCE

...DUCATI

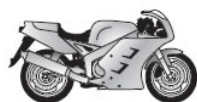
MONSTER 800 S2R DARK	800	2005 → 2006		FCD0720			FCS0720/2	
SPORT 800	800	2003 →		FCD0665	FCD0665/1		FCS0665/2	FCS0665/3
SUPERSPORT 800	800	2003 → 2005		FCD0665	FCD0665/1		FCS0665/2	FCS0665/3
(850cc) 848	848	2008 → 2010			FCD0714/1			FCS0714/3
EVO 848 (850cc)	848	2011 → 2012			FCD0714/1			FCS0714/3
EVO CORSE SE 848	848	2012 →			FCD0714/1			FCS0714/3
STREETFIGHTER 848	848	2012 →			FCD0714/1			FCS0714/3
STREETFIGHTER 848	848	2013 → 2015			FCD0714/1			FCS0714/3
STREETFIGHTER 848 S	848	2012 →			FCD0714/1			FCS0714/3
SUPERBIKE (848 cc) 848 EVO CORSE SE - EVO - USA	848	2013 →			FCD0714/1			FCS0714/3
SUPERBIKE (850cc) 848 EVO CORSE - EVO - HAYDEN - USA	850	2008 → 2012			FCD0714/1			FCS0714/3
851 all models	851	1991 → 1992		FCD0669			FCS0669/2	
888 all models	888	1993 → 1995		FCD0669			FCS0669/2	
888 SUPERBIKE STRADA	888	1994 → 1995		FCD0669			FCS0669/2	
PANIGALE 899 ABS - USA	899	2014 →			FCD0714/1			FCS0714/3
MH 900	900	2001 → 2002		FCD0671			FCS0671/2	
MONSTER 900	900	1993 → 1999		FCD0671			FCS0671/2	
MONSTER 900 CITY - CITY DARK	900	1999 →		FCD0671			FCS0671/2	
MONSTER 900 CROMO	900	1998 → 1999		FCD0671			FCS0671/2	
MONSTER 900 IE	900	2000 → 2001		FCD0671			FCS0671/2	
MONSTER 900 IE	900	2002 →		FCD0672			FCS0672/2	
MONSTER 900 SPECIAL	900	1998 →		FCD0671			FCS0671/2	
SPORT 900	900	2002 →		FCD0671			FCS0671/2	
SUPERSPORT 900	900	1998 → 1999		FCD0671			FCS0671/2	
SUPERSPORT 900 F.E.	900	1998 →		FCD0671			FCS0671/2	
SUPERSPORT 900 IE	900	2000 → 2002		FCD0671			FCS0671/2	
SUPERSPORT 900 SUPERLIGHT	900	1991 → 1997		FCD0671			FCS0671/2	
907 IE	907	1990 → 1993		FCD0669			FCS0669/2	
916 BIPOSTO SENNA	916	1994 → 1998		FCD0671			FCS0671/2	
916 SP	916	1994 → 1996		FCD0662			FCS0662/2	
MONSTER 916 S4	916	2001 → 2002		FCD0671			FCS0671/2	
MONSTER 916 S4 FOGGY	916	2002 →		FCD0671			FCS0671/2	
ST4 916	916	1999 → 2001		FCD0671			FCS0671/2	
ST4 916	916	2002 → 2003		FCD0672			FCS0672/2	
ST2 944	944	1997 → 2001		FCD0671			FCS0671/2	
ST2 944	944	2002 → 2003		FCD0672			FCS0672/2	
916 SPS - SPS I/II/III (996cc)	996	1997 → 2000		FCD0662			FCS0662/2	
996	996	1999 → 2001		FCD0671			FCS0671/2	
996 R	996	2001 →		FCD0662			FCS0662/2	
996 RS (con antisaltellamento)	996	2000 → 2001		FCD0669			FCS0669/2	
996 S	996	2001 →		FCD0662			FCS0662/2	
MONSTER 996 S4R	996	2003 → 2006		FCD0672			FCS0672/2	
RACING (996cc) 916 (con antisaltellamento)	996	1997 → 1998		FCD0669			FCS0669/2	
ST4S 996	996	2001 →		FCD0671			FCS0671/2	
ST4S 996	996	2002 → 2004		FCD0672			FCS0672/2	
ST4S 996	996	2005 →			FCD0714/1			FCS0714/3
ST4S 996 ABS	996	2003 → 2004		FCD0672			FCS0672/2	
ST4S 996 ABS	996	2005 →			FCD0714/1			FCS0714/3
998	998	2002 → 2003		FCD0671			FCS0671/2	
998 MATRIX	998	2004 →		FCD0671			FCS0671/2	
998 R	998	2002 →		FCD0662			FCS0662/2	
998 RS (con antisaltellamento)	998	2002 → 2003		FCD0669			FCS0669/2	
998 S	998	2005 → 2006		FCD0672			FCS0672/2	
998 S BAYLISS - BOSTROM	998	2002 →		FCD0671			FCS0671/2	
998 S FINAL EDITION	998	2004 →		FCD0672			FCS0672/2	
999 (998cc)	998	2003 → 2006		FCD0672			FCS0672/2	
999 R (998cc)	998	2003 → 2004		FCD0662			FCS0662/2	
999 R (998cc)	998	2005 → 2006		FCD0672			FCS0672/2	
999 RS (998cc) (con antisaltellamento)	998	2004 → 2005		FCD0669			FCS0669/2	
999 S (998cc)	998	2003 → 2004		FCD0662			FCS0662/2	
DESMOSEDICI 1000 RR	1000	2008 →		FCD0669			FCS0669/2	
GT 1000	1000	2007 → 2010			FCD0714/1			FCS0714/3
GT 1000 TOURING	1000	2009 →			FCD0714/1			FCS0714/3
MONSTER 1000	1000	2003 → 2005		FCD0672			FCS0672/2	
MONSTER 1000 S	1000	2005 →		FCD0672			FCS0672/2	
MONSTER 1000 S2R	1000	2006 → 2008		FCD0672			FCS0672/2	
MONSTER 1000 S4R	1000	2007 → 2008		FCD0672			FCS0672/2	
MONSTER 1000 S4RS	1000	2006 → 2008		FCD0672			FCS0672/2	
MONSTER 1000 S4RS TRICOLORE	1000	2008 →		FCD0672			FCS0672/2	
MULTISTRADA 1000	1000	2003 → 2006		FCD0672			FCS0672/2	
MULTISTRADA 1000 DS	1000	2005 →		FCD0672			FCS0672/2	
MULTISTRADA 1000 DS S	1000	2005 →		FCD0672			FCS0672/2	
MULTISTRADA 1000 S	1000	2006 →		FCD0672			FCS0672/2	
PAUL SMART 1000 L.E.	1000	2006 →		FCD0672			FCS0672/2	
SPORT 1000	1000	2006 →		FCD0672			FCS0672/2	
SPORT 1000	1000	2007 → 2008			FCD0714/1			FCS0714/3

FCDXXXX STANDARD FRICTION PLATES ONLY
 FCDXXXX/1 HIGH PERFORMANCE FRICTION PLATES ONLY
 FCSXXXX/2 STANDARD FRICTION PLATES + STEEL PLATES
 FCSXXXX/3 HIGH PERFORMANCE FRICTION PLATES + STEEL PLATES

FERODO
 MOTORCYCLE CLUTCHES
 Updated on 9th Oct 2015

2007

DUCATI



KIT RANGE



STANDARD HIGH PERFORMANCE



STANDARD HIGH PERFORMANCE

...DUCATI

SPORT 1000 CLASSIC GT	1000	2007	→	2010			FCD0714/1	FCS0714/3
SPORT 1000 MONOPOSTO JPN	1000	2007	→		FCD0672		FCS0672/2	
SPORT 1000 S	1000	2007	→	2009			FCD0714/1	FCS0714/3
ST3 1000	1000	2004	→		FCD0672		FCS0672/2	
ST3 1000	1000	2005	→	2007			FCD0714/1	FCS0714/3
ST3 1000 ABS	1000	2006	→	2007			FCD0714/1	FCS0714/3
SUPERSPORT 1000	1000	2003	→	2006	FCD0672		FCS0672/2	
1098 (1100cc)	1100	2007	→	2008	FCD0717		FCS0717/2	
1098 S (1100cc)	1100	2007	→	2008	FCD0717		FCS0717/2	
1098 S TRICOLORE (1100cc)	1100	2007	→	2008	FCD0717		FCS0717/2	
HYPERMOTARD 1100	1100	2008	→	2009	FCD0717		FCS0717/2	
HYPERMOTARD 1100 EVO	1100	2011	→	2012	FCD0715		FCS0715/2	
HYPERMOTARD 1100 EVO SP	1100	2010	→	2012	FCD0715		FCS0715/2	
HYPERMOTARD 1100 S	1100	2008	→	2009	FCD0717		FCS0717/2	
MONSTER 1100 - ABS	1100	2009	→	2010	FCD0715		FCS0715/2	
MONSTER 1100 DIESEL	1100	2013	→			FCD0727/1		FCS0727/3
MONSTER 1100 EVO - EVO ABS	1100	2012	→	2013		FCD0727/1		FCS0727/3
MONSTER 1100 EVO ANNIVERSARY	1100	2013	→			FCD0727/1		FCS0727/3
MONSTER 1100 S	1100	2009	→	2010	FCD0715		FCS0715/2	
MONSTER 1100 S ABS	1100	2010	→		FCD0715		FCS0715/2	
MULTISTRADA 1100	1100	2007	→	2009		FCD0714/1		FCS0714/3
MULTISTRADA 1100 S	1100	2007	→	2009		FCD0714/1		FCS0714/3
STREETFIGHTER 1100	1100	2010	→	2011	FCD0715		FCS0715/2	
STREETFIGHTER 1100 S	1100	2010	→	2012	FCD0715		FCS0715/2	
1098 R (1200cc)	1200	2008	→	2009	FCD0669		FCS0669/2	
1098 R BAYLISS (1200cc)	1200	2009	→		FCD0669		FCS0669/2	
1198 (1200cc)	1200	2009	→	2011	FCD0715		FCS0715/2	
1198 R CORSE (1200cc)	1200	2010	→		FCD0669		FCS0669/2	
1198 S (1200cc)	1200	2009	→	2010	FCD0715		FCS0715/2	
1198 S CORSE (1200cc)	1200	2010	→		FCD0715		FCS0715/2	
1198 SP (1200cc)	1200	2011	→		FCD0669		FCS0669/2	
DIAVEL 1200	1200	2011	→	2013		FCD0727/1		FCS0727/3
DIAVEL 1200 AMG	1200	2013	→			FCD0727/1		FCS0727/3
DIAVEL 1200 BRA	1200	2012	→	2014		FCD0727/1		FCS0727/3
DIAVEL 1200 CARBON	1200	2011	→	2013		FCD0727/1		FCS0727/3
DIAVEL 1200 CARBON BRA	1200	2012	→	2014		FCD0727/1		FCS0727/3
DIAVEL 1200 CARBON FL	1200	2015	→			FCD0727/1		FCS0727/3
DIAVEL 1200 CROMO	1200	2013	→			FCD0727/1		FCS0727/3
DIAVEL 1200 STRADA	1200	2013	→	2014		FCD0727/1		FCS0727/3
DIAVEL 1200 WHITE STRIPE	1200	2013	→	2014		FCD0727/1		FCS0727/3
MONSTER 1200	1200	2014	→			FCD0727/1		FCS0727/3
MONSTER 1200 S	1200	2014	→			FCD0727/1		FCS0727/3
MULTISTRADA 1200 - ABS	1200	2010	→	2014		FCD0727/1		FCS0727/3
MULTISTRADA 1200 - ABS	1200	2015	→			FCD0727/1		FCS0727/3
MULTISTRADA 1200 S	1200	2015	→			FCD0727/1		FCS0727/3
MULTISTRADA 1200 S D AIR	1200	2015	→			FCD0727/1		FCS0727/3
MULTISTRADA 1200 S GT	1200	2013	→	2014		FCD0727/1		FCS0727/3
MULTISTRADA 1200 S PIKES PEAK	1200	2011	→	2014		FCD0727/1		FCS0727/3
MULTISTRADA 1200 S SPORT	1200	2010	→	2014		FCD0727/1		FCS0727/3
MULTISTRADA 1200 S TOURING	1200	2010	→	2014		FCD0727/1		FCS0727/3
PANIGALE 1199 - ABS (1200cc)	1200	2012	→	2014		FCD0727/1		FCS0727/3
PANIGALE 1199 R (1200cc)	1200	2013	→	2014		FCD0727/1		FCS0727/3
PANIGALE 1199 S - S ABS (1200cc)	1200	2012	→	2014		FCD0727/1		FCS0727/3
PANIGALE 1199 TRICOLORE (1200cc)	1200	2012	→	2014		FCD0727/1		FCS0727/3

FANTIC

OASIS 50 .1	50	1986	→	1987	FCD0619	FCD0619/1	FCS0619/2	FCS0619/3
OASIS 50 .1 K.S.	50	1987	→		FCD0619	FCD0619/1	FCS0619/2	FCS0619/3
OASIS 50 .1 KICK	50	1987	→		FCD0619	FCD0619/1	FCS0619/2	FCS0619/3
OASIS 50 .1 RALLY	50	1986	→		FCD0619	FCD0619/1	FCS0619/2	FCS0619/3
RAIDER 50	50	1981	→	1985	FCD0619	FCD0619/1	FCS0619/2	FCS0619/3
RAIDER 50 .1	50	1986	→		FCD0619	FCD0619/1	FCS0619/2	FCS0619/3
TRIAL 50 .1 (FM.268)	50	1986	→		FCD0619	FCD0619/1	FCS0619/2	FCS0619/3
TRIAL 50 .1 H2O	50	1987	→		FCD0619	FCD0619/1	FCS0619/2	FCS0619/3
TRIAL 50 .5	50	1989	→		FCD0619	FCD0619/1	FCS0619/2	FCS0619/3
TRIAL 50 .7	50	1990	→		FCD0619	FCD0619/1	FCS0619/2	FCS0619/3
TRIAL 50 .9	50	1991	→		FCD0619	FCD0619/1	FCS0619/2	FCS0619/3
TRIAL 50 I SERIE (mozzi centrali)	50		→	1983	FCD0587			
TRIAL 50 II mozzi conici	50	1983	→	1984	FCD0587			
TRIAL 50 JUNIOR	50	1987	→		FCD0619	FCD0619/1	FCS0619/2	FCS0619/3
CABALLERO 125 REGOLARITA	125	1981	→	1984	FCD0541			
RAIDER 125	125		→	1984	FCD0530		FCS0530/2	
RAIDER 125 LC	125	1984	→		FCD0530		FCS0530/2	
SPORT 125	125		→	1984	FCD0530		FCS0530/2	
SPORT 125 HP1 (FM.265)	125	1985	→		FCD0530		FCS0530/2	

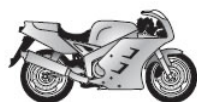
2008

FERODO
MOTORCYCLE CLUTCHES
Updated on 9th Oct 2015

FCDXXXX
FCDXXXX/1
FCSXXXX/2
FCSXXXX/3

STANDARD
HIGH PERFORMANCE
STANDARD
HIGH PERFORMANCE

FRICITION PLATES ONLY
FRICITION PLATES ONLY
FRICITION PLATES + STEEL PLATES
FRICITION PLATES + STEEL PLATES



KIT RANGE



HIGH PERFORMANCE



HIGH PERFORMANCE

...FANTIC

				STANDARD	HIGH PERFORMANCE	STANDARD	HIGH PERFORMANCE
SPORT 125 MK II	125	→ 1984		FCD0530		FCS0530/2	
SPORT 125 MK II (f.a.tel.1706338)	125	1985 →		FCD0530		FCS0530/2	
STRADA 125 (FM. 4000-A)	125	1983 →		FCD0530		FCS0530/2	
TRIAL 125 .1 Progress 1	125	1987 → 1988		FCD0660			
TRIAL 125 .1 Progress 2	125	1985 → 1986		FCD0660			
TRIAL 125 .5	125	1989 → 1990		FCD0530		FCS0530/2	
TRIAL 125 .9	125	1991 →		FCD0530		FCS0530/2	
TRIAL 125 7 DAYS (mozzi centrali)	125	→		FCD0541			
TRIAL 125 7 DAYS (mozzi conici)	125	→		FCD0541			
TRIAL 125 I SERIE. (tel. grig. m. cen)	125	→		FCD0541			
TRIAL 125 II SERIE (tel.rosso, m.cen)	125	→		FCD0541			
TRIAL 125 III SERIE (mozzi conici)	125	→		FCD0541			
TRIAL 125 PROFESSIONAL (FM.237)	125	1983 → 1984		FCD0530		FCS0530/2	
TRIAL 200	200	1985 → 1986		FCD0660			
TRIAL 200 (FM. 350)	200	1978 →		FCD0541			
TRIAL 200 Progress 1	200	1986 →		FCD0628		FCS0628/2	
TRIAL 201 Progress2	201	1986 →		FCD0628		FCS0628/2	
TRIAL 240 (FM 363)	240	1987 → 1988		FCD0660			
TRIAL 240 SEVEN DAYS (FM. 289)	240	1986 →		FCD0660			
TRIAL 241 PROFESSIONAL	241	1986 →		FCD0660			
K-ROO 250	250	1991 → 1992		FCD0660			
TRIAL 300 (FM. 403)	300	1984 →		FCD0660			
TRIAL 301 Progress 1 (FM. 266)	301	1985 →		FCD0660			
TRIAL 301 Progress 2	301	1986 →		FCD0660			
TRIAL 303 (FM 364)	303	1987 → 1988		FCD0660			
TRIAL 305	305	1989 →		FCD0660			
TRIAL 307	307	1990 → 1991		FCD0660			

GARELLI

ciclomotori 1 corpo elastico 1veloc.	1	→		FCD0589			
ciclomotori 1 corpo elastico 2 veloc.	1	→		FCD0668			
ciclomotori 1 disco avviamento	1	→		FCD0655			
GULP 50	50	→		FCD0549			
KL 50 SV	50	→		FCD0549			
NOI 50 (ruota lega fondermonte)	50	→		FCD0532			
NOI 50 (ruota lega grimeca)	50	→		FCD0532			
NOI 50 (ruota raggi)	50	→		FCD0532			
NOI 50 MATIC	50	→		FCD0532			
TIGER 50 XLE	50	1986 →		FCD0588	FCD0588/1	FCS0588/2	FCS0588/3
VIP 50 (ruota lega grimeca)	50	→		FCD0532			
VIP 50 (ruota raggi)	50	→		FCD0532			
VIP 50 ruota lega (fondermonte)	50	→		FCD0532			
GTA 125	125	1986 → 1987		FCD0573		FCS0573/2	
GTA 125	125	1987 →		FCD0573		FCS0573/2	
TIGER 125	125	→		FCD0541			
TIGER 125 XLE	125	1986 →		FCD0573		FCS0573/2	
TIGER 125 XR	125	→		FCD0573		FCS0573/2	
TIGER 125 XRD	125	→		FCD0573		FCS0573/2	
TRS 125 ACQUA SM	125	→		FCD0573		FCS0573/2	
TSR 125	125	→		FCD0541			
TSR 125 SELF MIX	125	→		FCD0541			
TRIAL 320	320	→ 1985		FCD0573		FCS0573/2	

GAS GAS

EC 125 MC	125	1997 → 2007			FCD0739/1		FCS0739/3
EC 125 MX	125	2002 → 2007			FCD0739/1		FCS0739/3
EC 125 SM	125	2002 → 2007			FCD0739/1		FCS0739/3
EC 125 SYXDAYS	125	2010 →			FCD0739/1		FCS0739/3
HALLEY 125 EH-SM	125	2009 →			FCD0739/1		FCS0739/3
PAMPERA 125	125	1996 → 2001			FCD0561/1		FCS0561/3
TT 125	125	1995 →			FCD0561/1		FCS0561/3
EC 200 2T	200	1999 →		FCD0753		FCS0753/2	
EC 200 2T	200	2000 → 2011		FCD0753		FCS0753/2	
EC 200 MX	200	2002 → 2010		FCD0753		FCS0753/2	
EC 200 RACING 2T	200	2015 →		FCD0753		FCS0753/2	
EC 200 SM	200	2002 → 2007		FCD0753		FCS0753/2	
EC 200 SYXDAYS	200	2010 →		FCD0753		FCS0753/2	
PAMPERA 200	200	1992 → 2001			FCD0561/1		FCS0561/3
TX 200	200	1997 → 1999			FCD0561/1		FCS0561/3
EC 250 2T	250	1997 → 2011		FCD0753		FCS0753/2	
EC 250 MX	250	2001 → 2007		FCD0753		FCS0753/2	
EC 250 RACING 2T	250	2012 → 2015		FCD0753		FCS0753/2	
EC 250 SM	250	2002 → 2007		FCD0753		FCS0753/2	
EC 250 SYXDAYS	250	2010 →		FCD0753		FCS0753/2	

FCDXXXX
FCDXXXX/1
FCSXXXX/2
FCSXXXX/3

STANDARD
HIGH PERFORMANCE
STANDARD
HIGH PERFORMANCE

FRICION PLATES ONLY
FRICION PLATES ONLY
FRICION PLATES + STEEL PLATES
FRICION PLATES + STEEL PLATES

FERODO

MOTORCYCLE CLUTCHES

Updated on 9th Oct 2015

2009

GAS GAS



KIT RANGE



STANDARD
HIGH PERFORMANCE



STANDARD
HIGH PERFORMANCE

...GAS GAS

Model	Capacity	Year	Year Range	Kit	Standard	High Performance	Standard	High Performance
EC F 250 4T	250	2010	→ 2015		FCD0251	FCD0251/1	FCS0251/2	FCS0251/3
MC 250	250	1997	→ 1999		FCD0753		FCS0753/2	
MC 250	250	2000	→		FCD0753		FCS0753/2	
MC 250	250	2001	→ 2009		FCD0753		FCS0753/2	
PAMPERA 250	250	2000	→ 2001			FCD0561/1		FCS0561/3
SM 250	250	2002	→		FCD0753		FCS0753/2	
PAMPERA 280	280	2000	→ 2001			FCD0561/1		FCS0561/3
TXT 280	280	1992	→ 1999			FCD0561/1		FCS0561/3
EC 300 2T	300	1998	→ 2000		FCD0753		FCS0753/2	
EC 300 2T	300	2001	→ 2011		FCD0753		FCS0753/2	
EC 300 MC	300	2002	→ 2010		FCD0753		FCS0753/2	
EC 300 RACING 2T	300	2012	→ 2015		FCD0753		FCS0753/2	
EC 300 SM	300	2002	→ 2007		FCD0753		FCS0753/2	
EC 300 SYXDAYS	300	2010	→		FCD0753		FCS0753/2	
EC F 300 4T	300	2013	→ 2015		FCD0753		FCS0753/2	
MC 300	300	1996	→ 2009		FCD0753		FCS0753/2	
TXT 320	320	1992	→ 1999			FCD0561/1		FCS0561/3
EC 400 FSE	400	2003	→ 2004		FCD0753		FCS0753/2	
FSE 400 SM 4T	400	2002	→ 2007		FCD0753		FCS0753/2	
EC 450 FSE	450	2005	→ 2009		FCD0753		FCS0753/2	
EC 450 FSR	450	2005	→ 2009		FCD0753		FCS0753/2	
EC F 450 4T	450	2013	→ 2015		FCD0678	FCD0678/1	FCS0678/2	FCS0678/3
FSR 450 SM	450	2008	→		FCD0753		FCS0753/2	
PAMPERA 450	450	2007	→ 2008		FCD0753		FCS0753/2	
EC 510 FSE/FSR	510	2005	→ 2008		FCD0753		FCS0753/2	
SM 515 FSR	515	2007	→ 2008		FCD0753		FCS0753/2	

GILERA

CBA 50	50		→		FCD0604			
CBA variatore 50	50	1986	→		FCD0579			
GSM 50 motore Morini 6M	50		→	FSS0513	FCD0509	FCD0509/1	FCS0509/2	FCS0509/3
R1 50	50	1990	→		FCD0664			
RC 50	50		→		FCD0664			
RC 50 TOP RALLY	50	1990	→	FSS0513	FCD0509	FCD0509/1	FCS0509/2	FCS0509/3
SUPERMOTARD 50	50	2001	→	FSS0513	FCD0509	FCD0509/1	FCS0509/2	FCS0509/3
TREND 50 massette avviamento	50	1989	→		FCD0604			
TREND 50 massette frizione	50	1989	→		FCD0535			
TREND variatore 50 massette avviamento	50	1989	→		FCD0579			
ARIZONA 125	125	1983	→		FCD0510		FCS0510/2	
CRONO 125	125	1991	→		FCD0510		FCS0510/2	
ER 125	125	1987	→		FCD0510		FCS0510/2	
KK 125 APTS	125	1987	→		FCD0510		FCS0510/2	
KZ 125	125	1986	→		FCD0510		FCS0510/2	
KZ 125 ENDURANCE	125	1988	→		FCD0510		FCS0510/2	
MX-I 125	125	1988	→ 1989		FCD0510		FCS0510/2	
MXR 125	125	1990	→		FCD0510		FCS0510/2	
RC 125 RALLY	125	1987	→ 1988		FCD0510		FCS0510/2	
RRT 125 NEBRASKA	125	1987	→		FCD0510		FCS0510/2	
RRT 125 NEBRASKA (ruote tubles)	125	1987	→		FCD0510		FCS0510/2	
RTX 125	125		→		FCD0510		FCS0510/2	
RV 125	125	1983	→		FCD0510		FCS0510/2	
RX 125	125	1984	→		FCD0510		FCS0510/2	
RX 125 ARIZONA HAWK	125	1986	→		FCD0510		FCS0510/2	
SP 01 125	125	1989	→		FCD0510		FCS0510/2	
SP 02 125	125	1990	→		FCD0510		FCS0510/2	
XR1 125	125	1988	→		FCD0510		FCS0510/2	
XR2 125	125	1989	→		FCD0510		FCS0510/2	
ER 200	200	1987	→		FCD0510		FCS0510/2	
FAST BIKE 200	200	1987	→		FCD0510		FCS0510/2	
RTX 200	200	1986	→		FCD0510		FCS0510/2	
RV 200	200	1985	→ 1986		FCD0510		FCS0510/2	
RV 200 ES	200	1987	→		FCD0510		FCS0510/2	
RX 200	200	1985	→		FCD0510		FCS0510/2	
RX 200 ARIZONA HAWK	200	1986	→		FCD0510		FCS0510/2	
NGR 250	250	1985	→		FCD0506			
RC 250 RALLY	250	1987	→		FCD0506			
RX 250 ARIZONA RALLY	250	1986	→		FCD0506			
DAKOTA 350	350	1986	→		FCD0623		FCS0623/2	
XRT 350	350	1988	→		FCD0623		FCS0623/2	
DAKOTA 500	500	1987	→		FCD0623		FCS0623/2	
ER 500	500	1987	→		FCD0623		FCS0623/2	
RC 600	600	1989	→ 1990		FCD0168	FCD0168/1		
RC 600	600	1991	→		FCD0168	FCD0168/1		
RC 600 NORTHWEST	600	1990	→		FCD0168	FCD0168/1		
RC 600 R	600	1991	→		FCD0168	FCD0168/1		

20010

FERODO
MOTORCYCLE CLUTCHES
Updated on 9th Oct 2015

FCDXXXX
FCDXXXX/1
FCSXXXX/2
FCSXXXX/3

STANDARD
HIGH PERFORMANCE
STANDARD
HIGH PERFORMANCE

FRICTION PLATES ONLY
FRICTION PLATES ONLY
FRICTION PLATES + STEEL PLATES
FRICTION PLATES + STEEL PLATES

GAS GAS



KIT RANGE



STANDARD

HIGH PERFORMANCE



STANDARD

HIGH PERFORMANCE

...GILERA

RC 600 TOP RALLY	600	1990 →		FCD0168	FCD0168/1		
XRT 600	600	1988 →		FCD0168	FCD0168/1		

HONDA

C 50	50	1975 → 1978	FSS0125	FCD0176			
C 50	50	1979 → 1981	FSS0125	FCD0107			
C 50	50	1982 → 2002		FCD0107			
CB 50 DREAM	50	1997 → 1998		FCD0109			
CB 50 J all models	50	1981 →	FSS0402	FCD0109			
CD 50 BENTLEY S	50	1996 → 1999		FCD0192			
CF 50	50	1977 → 1978	FSS0125	FCD0107			
CL 50 BENTLEY	50	1997 → 1999		FCD0192			
CR 50 R	50	1984 → 1985	FSS0402	FCD0110	FCD0110/1		
CRF 50	50	2004 → 2011		FCD0107			
CRM 50 R	50	1993 → 1996	FSS0402	FCD0109			
MB 50	50	1980 → 1982	FSS0402	FCD0109			
MBX 50 SD - SF	50	1983 → 1985	FSS0402	FCD0109			
MP 50 SOLO	50	2003 →		FCD0107			
MT 50	50	1980 → 1993	FSS0402	FCD0109			
MTX 50 S	50	1983 →	FSS0402	FCD0109			
NSR 50 F - S	50	1989 → 1995	FSS0402	FCD0109			
NSR 50 R	50	1997 → 2000	FSS0402	FCD0109			
NSR 50 V - X	50	1997 → 1999	FSS0402	FCD0110	FCD0110/1		
SS 50 ZB2	50	1977 → 1980		FCD0192			
SS 50 ZK2	50	1975 → 1977		FCD0192			
ST 50	50	1978 → 1993		FCD0107			
TLM 50 F	50	1985 →	FSS0115	FCD0109			
XR 50 MOTARD	50	2006 →		FCD0109			
XR 50 R	50	2001 → 2003		FCD0107			
XZ 50	50	2001 → 2002		FCD0109			
Z 50 all models	50	1979 → 1991	FSS0125	FCD0176			
CR 60 R	60	1985 → 1986	FSS0402	FCD0110	FCD0110/1		
C 70 all models	70	1975 → 1977		FCD0176			
C 70 all models	70	1978 → 1985	FSS0108	FCD0107			
CF 70 C	70	1977 → 1978	FSS0108	FCD0107			
CRF 70	70	2004 → 2012	FSS0108	FCD0107			
XR 70 R	70	1997 → 2003	FSS0108	FCD0107			
CRM 75 R	75	1989 → 1994	FSS0402	FCD0110	FCD0110/1		
NSR 75 NS-1	75	1992 → 2000	FSS0402	FCD0110	FCD0110/1		
XR 75	75	1975 → 1978	FSS0111	FCD0109			
XR 75	75	1979 →	FSS0111	FCD0109			
CR 80 R	80	1980 → 1981	FSS0402	FCD0110	FCD0110/1		
CR 80 R	80	1982 →	FSS0402	FCD0110	FCD0110/1		
CR 80 R	80	1983 →	FSS0406	FCD0110	FCD0110/1		
CR 80 R	80	1984 →	FSS0406	FCD0101	FCD0101/1	FCS0101/2	FCS0101/3
CR 80 R	80	1985 → 2002	FSS0101	FCD0101	FCD0101/1	FCS0101/2	FCS0101/3
CRF 80 F	80	2004 → 2012		FCD0109			
MBX 80 FWD	80	1983 → 1986	FSS0402	FCD0110	FCD0110/1		
MTX 80 all models	80	1983 → 1984	FSS0402	FCD0110	FCD0110/1		
NSR 80 R	80	1987 → 1999	FSS0402	FCD0110	FCD0110/1		
XR 80	80	1980 → 1984	FSS0111	FCD0109			
XR 80 R	80	1985 → 1988	FSS0102	FCD0109			
CR 85	85	2003 → 2007	FSS0101	FCD0101	FCD0101/1	FCS0101/2	FCS0101/3
C 90	90	1975 → 1981		FCD0113			
C 90	90	1982 → 2003		FCD0107			
CB 100 N	100	1978 → 1980		FCD0101	FCD0101/1	FCS0101/2	FCS0101/3
CRF 100 F	100	2004 →		FCD1119	FCD1119/1	FCS1119/2	FCS1119/3
H 100	100	1984 → 1992	FSS0402	FCD0110	FCD0110/1		
SUPRA 100	100	1997 → 1998		FCD0110	FCD0110/1		
SUPRA 100	100	1999 →		FCD0110	FCD0110/1		
XL 100 all models	100	1978 → 1980		FCD0110	FCD0110/1		
XL 100 all models	100	1981 → 1982	FSS0111	FCD0110	FCD0110/1		
XR 100 MOTARD	100	2006 →		FCD0110	FCD0110/1		
XR 100 R	100	1993 → 2003		FCD1119	FCD1119/1	FCS1119/2	FCS1119/3
XZ 100	100	2002 →		FCD0110	FCD0110/1		
CT 110	110	1980 → 2009		FCD0113			
ANF 125 INNOVA	125	2003 → 2011		FCD0189			
CA 125 REBEL	125	1995 → 1997		FCD0171	FCD0171/1		
CA 125 REBEL	125	1998 →		FCD0101	FCD0101/1	FCS0101/2	FCS0101/3
CB 125 J	125	1979 →	FSS0117	FCD0101	FCD0101/1	FCS0101/2	FCS0101/3
CB 125 K1 - K5	125	1972 → 1976	FSS0117	FCD0101	FCD0101/1	FCS0101/2	FCS0101/3
CB 125 K6 - S2	125	1976 → 1977	FSS0117	FCD0101	FCD0101/1	FCS0101/2	FCS0101/3
CB 125 RS	125	1983 →	FSS0117	FCD0101	FCD0101/1	FCS0101/2	FCS0101/3
CB 125 T	125	1978 →	FSS0117	FCD0101	FCD0101/1	FCS0101/2	FCS0101/3
CB 125 T2 - TA - TB	125	1979 →	FSS0117	FCD0101	FCD0101/1	FCS0101/2	FCS0101/3

FCDXXXX STANDARD FRICTION PLATES ONLY
 FCDXXXX/1 HIGH PERFORMANCE FRICTION PLATES ONLY
 FCSXXXX/2 STANDARD FRICTION PLATES + STEEL PLATES
 FCSXXXX/3 HIGH PERFORMANCE FRICTION PLATES + STEEL PLATES

FERODO
 MOTORCYCLE CLUTCHES
 Updated on 9th Oct 2015

20011

HONDA



...HONDA

				KIT RANGE			
				STANDARD	HIGH PERFORMANCE	STANDARD	HIGH PERFORMANCE
CB 125 TDJ	125	1987 → 1989		FCD0171	FCD0171/1		
CBF 125	125	2009 → 2012		FCD0101	FCD0101/1	FCS0101/2	FCS0101/3
CBR 125 R	125	2004 → 2011		FCD0171	FCD0171/1		
CBR 125 R	125	2012 →		FCD0171	FCD0171/1		
CD 125	125	1978 →		FCD0101	FCD0101/1	FCS0101/2	FCS0101/3
CG 125	125	1985 → 2008	FSS0117	FCD0101	FCD0101/1	FCS0101/2	FCS0101/3
CG 125 all models	125	1977 → 1984	FSS0117	FCD0101	FCD0101/1	FCS0101/2	FCS0101/3
CLR 125 CITY FLY	125	1998 → 2003		FCD0101	FCD0101/1	FCS0101/2	FCS0101/3
CM 125	125	1982 → 1985	FSS0103	FCD0101	FCD0101/1	FCS0101/2	FCS0101/3
CR 125 M2 - 3 - 4	125	1976 → 1978	FSS0308	FCD0178			
CR 125 R	125	1979 → 1980	FSS0115	FCD0161			
CR 125 R	125	1981 →	FSS0115	FCD0127	FCD0127/1		
CR 125 R	125	1982 →	FSS0115	FCD0157	FCD0157/1		
CR 125 R	125	1983 →		FCD1113	FCD1113/1	FCS1113/2	FCS1113/3
CR 125 R	125	1984 →		FCD1113	FCD1113/1	FCS1113/2	FCS1113/3
CR 125 R	125	1985 →		FCD0132	FCD0132/1	FCS0132/2	FCS0132/3
CR 125 R	125	1986 → 1994		FCD0136	FCD0136/1	FCS0136/2	FCS0136/3
CR 125 R - E	125	1995 → 1999		FCD0136	FCD0136/1	FCS0136/2	FCS0136/3
CR 125 R - E	125	2000 → 2003	FSS0123	FCD0151	FCD0151/1	FCS0151/2	FCS0151/3
CR 125 R - E	125	2004 →	FSS0123	FCD0151	FCD0151/1	FCS0151/2	FCS0151/3
CR 125 SUPERMOTARD	125	2000 →	FSS0123	FCD0151	FCD0151/1	FCS0151/2	FCS0151/3
CRM 125	125	1990 → 1999		FCD0115	FCD0115/1		
CT 125	125	1985 →	FSS0117	FCD0101	FCD0101/1	FCS0101/2	FCS0101/3
LS 125 R	125	2000 →		FCD0171	FCD0171/1		
MBX 125	125	1984 → 1986	FSS0103	FCD0124	FCD0124/1		
MTX 125 R	125	1983 → 1995		FCD0124	FCD0124/1		
NS 125 F all models	125	1986 → 1987		FCD0111	FCD0111/1	FCS0111/2	FCS0111/3
NSR 125	125	1988 →		FCD0115	FCD0115/1		
NSR 125 R - F	125	1989 → 2001		FCD0115	FCD0115/1		
NX 125 TRANSCITY	125	1989 → 1997		FCD0101	FCD0101/1	FCS0101/2	FCS0101/3
TL 125	125	1976 →		FCD0101	FCD0101/1	FCS0101/2	FCS0101/3
VT 125 C SHADOW	125	1999 → 2008		FCD0155	FCD0155/1		
XL 125	125	1978 →		FCD0101	FCD0101/1	FCS0101/2	FCS0101/3
XL 125	125	1979 →		FCD0101	FCD0101/1	FCS0101/2	FCS0101/3
XL 125	125	1980 → 1982	FSS0115	FCD0101	FCD0101/1	FCS0101/2	FCS0101/3
XL 125 R	125	1984 → 1986	FSS0103	FCD0101	FCD0101/1	FCS0101/2	FCS0101/3
XLR 125 R	125	1998 → 2001		FCD0101	FCD0101/1	FCS0101/2	FCS0101/3
XLV 125 VARADERO	125	2001 → 2011		FCD0155	FCD0155/1		
XR 125 L	125	2003 → 2008	FSS0117	FCD0101	FCD0101/1	FCS0101/2	FCS0101/3
CBR R 150	150	2000 → 2003		FCD0171	FCD0171/1		
CRF 150 F	150	2003 → 2005	FSS0123	FCD0195	FCD0195/1	FCS0195/2	FCS0195/3
CRF 150 F	150	2006 → 2007		FCD1110	FCD1110/1	FCS1110/2	FCS1110/3
CRF 150 R	150	2007 → 2013		FCD1118	FCD1118/1	FCS1118/2	FCS1118/3
CB 175 all models	175	1974 → 1976	FSS0102	FCD0153	FCD0153/1		
CD 175 all models	175	1971 → 1978	FSS0102	FCD0153	FCD0153/1		
CD 185 T	185	1978 →	FSS0103	FCD0101	FCD0101/1	FCS0101/2	FCS0101/3
XL 185	185	1980 → 1981	FSS0117	FCD0101	FCD0101/1	FCS0101/2	FCS0101/3
XL 185	185	1982 →		FCD0101	FCD0101/1	FCS0101/2	FCS0101/3
CB 200 B - T	200	1976 → 1978	FSS0102	FCD0153	FCD0153/1		
CD 200 T	200	1979 → 1980	FSS0112	FCD0101	FCD0101/1	FCS0101/2	FCS0101/3
CM 200 TA - TB	200	1979 → 1980	FSS0112	FCD0101	FCD0101/1	FCS0101/2	FCS0101/3
CTX 200 A BUSHLANDER	200	2004 → 2005		FCD0101	FCD0101/1	FCS0101/2	FCS0101/3
MTX 200 RW	200	1985 → 1986		FCD0124	FCD0124/1		
MTX 200 RWD	200	1983 → 1984		FCD0162	FCD0162/1		
TA 200 SHADOW	200	2002 → 2005		FCD0171	FCD0171/1		
TL 200	200	1976 → 1978		FCD0101	FCD0101/1	FCS0101/2	FCS0101/3
TLR 200	200	1983 → 1987	FSS0103	FCD0101	FCD0101/1	FCS0101/2	FCS0101/3
XR 200 R	200	1980 → 1983		FCD0101	FCD0101/1	FCS0101/2	FCS0101/3
XR 200 R	200	1984 → 1985		FCD0124	FCD0124/1		
XR 200 R	200	1986 → 2002		FCD0101	FCD0101/1	FCS0101/2	FCS0101/3
FTR 223 Y2/A2 (MCS4)	223	2000 → 2002		FCD0171	FCD0171/1		
CRF 230	230	2004 → 2009	FSS0112	FCD0195	FCD0195/1	FCS0195/2	FCS0195/3
CRF 230 EASY (rear disc)	230	2008 →	FSS0103	FCD0171	FCD0171/1		
CRF 230 M	230	2009 → 2015	FSS0103	FCD0171	FCD0171/1		
SL 230	230	1997 → 2001		FCD0171	FCD0171/1		
XL 230 (MC36)	230	2002 →		FCD0171	FCD0171/1		
AX 1 250	250	1989 → 1994		FCD0126	FCD0126/1	FCS0126/2	FCS0126/3
CB 250	250	1973 → 1975		FCD0168	FCD0168/1		
CB 250	250	1978 → 1982	FSS0301	FCD0102	FCD0102/1		
CB 250 FT HORNET	250	1996 → 2001		FCD1128	FCD1128/1	FCS1128/2	FCS1128/3
CB 250 RSA - RSD - RSE	250	1981 →	FSS0103	FCD0111	FCD0111/1	FCS0111/2	FCS0111/3
CB 250 TWO FIFTY	250	1993 → 2005	FSS0112	FCD0127	FCD0127/1		
CBF 250	250	2004 → 2006		FCD1129	FCD1129/1		
CBR 250 R	250	2011 → 2013		FCD0193			
CBR 250 R - RR	250	1988 → 1994		FCD1128	FCD1128/1	FCS1128/2	FCS1128/3
CBR 250 R ABS	250	2011 → 2013		FCD0193			

HONDA

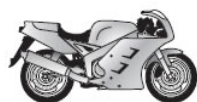
20012

FERODO
MOTORCYCLE CLUTCHES
Updated on 9th Oct 2015

FCDXXXX
FCDXXXX/1
FCSXXXX/2
FCSXXXX/3

STANDARD
HIGH PERFORMANCE
STANDARD
HIGH PERFORMANCE

FRICITION PLATES ONLY
FRICITION PLATES ONLY
FRICITION PLATES + STEEL PLATES
FRICITION PLATES + STEEL PLATES



HIGH PERFORMANCE



HIGH PERFORMANCE

...HONDA

				STANDARD	HIGH PERFORMANCE	STANDARD	HIGH PERFORMANCE
CBR 250 R HURRICANE	250	1986	→	FCD1128	FCD1128/1	FCS1128/2	FCS1128/3
CBR 250 R HURRICANE	250	1987	→	FCD1128	FCD1128/1	FCS1128/2	FCS1128/3
CBX 250 RSE	250	1984	→	FSS0403	FCD0162	FCD0162/1	
CD 250	250	1988	→ 1992	FSS0112	FCD0127	FCD0127/1	
CJ 250 I	250	1977	→	FSS0115	FCD0168	FCD0168/1	
CL 250 SC	250	1981	→	FSS0103	FCD0111	FCD0111/1	FCS0111/2
CM 250 TB	250	1981	→		FCD0102	FCD0102/1	
CMX 250 C REBEL	250	1996	→ 2000	FSS0112	FCD0127	FCD0127/1	
CR 250 R	250	1978	→ 1980	FSS0115	FCD0117		
CR 250 R	250	1981	→	FSS0117	FCD0152	FCD0152/1	
CR 250 R	250	1982	→	FSS0117	FCD0152	FCD0152/1	
CR 250 R	250	1983	→ 1989	FSS0113	FCD0120	FCD0120/1	FCS0120/2
CR 250 R	250	1990	→ 1994	FSS0113	FCD0142	FCD0142/1	FCS0142/2
CR 250 R - E	250	1995	→ 2010	FSS0306	FCD0142	FCD0142/1	FCS0142/2
CR 250 SUPERMOTARD	250	1998	→ 2001	FSS0306	FCD0142	FCD0142/1	FCS0142/2
CRE 250 IE	250	2007	→ 2008	FSS0123	FCD0675	FCD0675/1	FCS0675/2
CRF 250 R - E	250	2004	→ 2007	FSS0123	FCD1114	FCD1114/1	FCS1114/2
CRF 250 R - E	250	2008	→ 2009	FSS0123	FCD0675	FCD0675/1	FCS0675/2
CRF 250 R - E	250	2010	→		FCD1114	FCD1114/1	FCS1114/2
CRF 250 R - E	250	2011	→ 2014		FCD0675	FCD0675/1	FCS0675/2
CRF 250 R - E	250	2015	→		FCD0675	FCD0675/1	FCS0675/2
CRF 250 R EFI	250	2010	→		FCD0675	FCD0675/1	FCS0675/2
CRF 250 X	250	2004	→	FSS0123	FCD0675	FCD0675/1	FCS0675/2
CRM 250 ACTIVE RADIAL	250	1997	→ 1998		FCD0125	FCD0125/1	
CRM 250 R	250	1989	→ 1993		FCD0129	FCD0129/1	FCS0129/2
CRM 250 R	250	1994	→ 1996	FSS0113	FCD0125	FCD0125/1	
CRM 250 X SUPERMOTARD	250	2007	→	FSS0123	FCD0675	FCD0675/1	FCS0675/2
GB 250 CUSTOM	250	1984	→ 1997	FSS0403	FCD0162	FCD0162/1	
NS 250	250	1984	→	FSS0109	FCD1127	FCD1127/1	
NSR 250	250	1986	→	FSS0112	FCD0125	FCD0125/1	
NSR 250 R	250	1986	→ 1987	FSS0112	FCD0125	FCD0125/1	
NSR 250 R - SP	250	1988	→ 1993	FSS0112	FCD0125	FCD0125/1	
NSR 250 R SE-SP	250	1994	→	FSS0112	FCD0125	FCD0125/1	
NX 250 DOMINATOR	250	1987	→ 1993		FCD1129	FCD1129/1	
TL 250	250	1978	→ 1979		FCD0152	FCD0152/1	
TLR 250	250	1985	→		FCD0101	FCD0101/1	FCS0101/2
VT 250 CR MAGNA	250	1994	→		FCD1128	FCD1128/1	FCS1128/2
VT 250 F	250	1982	→ 1987	FSS0406	FCD0127	FCD0127/1	
VT 250 F INTEGRA	250	1987	→		FCD0183	FCD0183/1	
VT 250 SPADA	250	1988	→ 1990		FCD0183	FCD0183/1	
VTR 250	250	1998	→ 2007		FCD1128	FCD1128/1	FCS1128/2
VTR 250	250	2009	→ 2010		FCD0183	FCD0183/1	
VTZ 250	250	1986	→ 1988		FCD1128	FCD1128/1	FCS1128/2
XL 250	250	1978	→ 1979		FCD0152	FCD0152/1	
XL 250 DEGREE	250	1991	→	FSS0103	FCD1129	FCD1129/1	
XL 250 R	250	1981	→ 1983	FSS0103	FCD0111	FCD0111/1	FCS0111/2
XL 250 R	250	1984	→ 1985		FCD1117	FCD1117/1	FCS1117/2
XL 250 S	250	1978	→ 1981	FSS0103	FCD0191		
XL 250 S	250	1982	→	FSS0103	FCD0191		
XLR 250 R BAJA	250	1988	→ 1990		FCD1117	FCD1117/1	FCS1117/2
XLR 250 R BAJA	250	1991	→		FCD1129	FCD1129/1	
XR 250	250	2000	→ 2003		FCD1129	FCD1129/1	
XR 250 BAJA	250	2000	→ 2003		FCD1129	FCD1129/1	
XR 250 MOTARD	250	2003	→ 2005		FCD1129	FCD1129/1	
XR 250 R	250	1981	→ 1983	FSS0103	FCD0111	FCD0111/1	FCS0111/2
XR 250 R	250	1984	→ 1985		FCD1117	FCD1117/1	FCS1117/2
XR 250 R	250	1986	→ 1995	FSS0101	FCD0126	FCD0126/1	FCS0126/2
XR 250 R	250	1996	→ 2004	FSS0413	FCD0126	FCD0126/1	FCS0126/2
XR 250 S	250	1979	→ 1980	FSS0103	FCD0191		
CRE 290 IE	290	2007	→ 2008	FSS0123	FCD0675	FCD0675/1	FCS0675/2
CRF 300 X	300	2008	→ 2012	FSS0123	FCD0675	FCD0675/1	FCS0675/2
CB 350 K4	350		→	FSS0402	FCD0168	FCD0168/1	
CB 350 SG	350	1986	→ 1988	FSS0106	FCD0102	FCD0102/1	
XR 350 R	350	1983	→ 1984	FSS0101	FCD0126	FCD0126/1	FCS0126/2
CB 400 F - F1 - F2	400	1975	→ 1979	FSS0127	FCD0102	FCD0102/1	
CB 400 FOUR	400	1997	→ 1998		FCD0138	FCD0138/1	
CB 400 N - NA - NB	400	1978	→ 1982	FSS0119	FCD0102	FCD0102/1	
CB 400 SS	400	2002	→	FSS0306	FCD0125	FCD0125/1	
CB 400 SUPER FOUR	400	1992	→ 1997	FSS0301	FCD0138	FCD0138/1	
CB 400 SUPER FOUR BOL DOR	400	1999	→ 2005		FCD0146	FCD0146/1	
CB-1 400 F	400	1989	→ 1990	FSS0301	FCD0138	FCD0138/1	
CBR 400 R HURRICANE	400	1986	→		FCD0138	FCD0138/1	
CBR 400 RR (GULL ARM NC29)	400	1990	→ 1994		FCD1116	FCD1116/1	FCS1116/2
CBR 400 RR (TRI ARM NC23)	400	1987	→ 1989	FSS0301	FCD0138	FCD0138/1	
NS 400 R	400	1985	→ 1987		FCD1127	FCD1127/1	
NTV 400 BROS	400	1988	→	FSS0113	FCD1115	FCD1115/1	FCS1115/2

FCDXXXX
FCDXXXX/1
FCSXXXX/2
FCSXXXX/3

STANDARD
HIGH PERFORMANCE
STANDARD
HIGH PERFORMANCE

FRICITION PLATES ONLY
FRICITION PLATES ONLY
FRICITION PLATES + STEEL PLATES
FRICITION PLATES + STEEL PLATES

FERODO

MOTORCYCLE CLUTCHES

Updated on 9th Oct 2015

20013



...HONDA

				KIT RANGE			
				STANDARD	HIGH PERFORMANCE	STANDARD	HIGH PERFORMANCE
NV 400 C STEED	400	1992 → 1997	FSS0113	FCD1115	FCD1115/1	FCS1115/2	FCS1115/3
NV 400 D SHADOW SLASHER	400	2000 → 2002	FSS0113	FCD1115	FCD1115/1	FCS1115/2	FCS1115/3
RVF 400	400	1994 → 1996		FCD0186	FCD0186/1		
VF 400 FD	400	1983 → 1985	FSS0103	FCD0167	FCD0167/1		
VFR 400 R	400	1985 → 1986	FSS0301	FCD0123	FCD0123/1		
VFR 400 R	400	1987 → 1988	FSS0103	FCD0123	FCD0123/1		
VFR 400 R (NC 30)	400	1989 → 1992		FCD0181	FCD0181/1	FCS0181/2	FCS0181/3
VRX 400 T (NC33)	400	1996 →		FCD0115	FCD0115/1		
XR 400 R	400	1996 →		FCD0129	FCD0129/1	FCS0129/2	FCS0129/3
XR 400 R	400	1997 → 2005		FCD0129	FCD0129/1	FCS0129/2	FCS0129/3
XR 400 SUPERMOTARD	400	2005 → 2008	FSS0306	FCD0125	FCD0125/1		
XR 440 R (DALLARA)	440	1999 →		FCD0129	FCD0129/1	FCS0129/2	FCS0129/3
CB 450 DX	450	1989 →	FSS0119	FCD0102	FCD0102/1		
CR 450 R	450	1981 →	FSS0117	FCD0152	FCD0152/1		
CRF 450 R - E	450	2002 → 2003	FSS0306	FCD0142	FCD0142/1	FCS0142/2	FCS0142/3
CRF 450 R - E	450	2004 → 2005		FCD0142	FCD0142/1	FCS0142/2	FCS0142/3
CRF 450 R - E	450	2006 → 2008	FSS0306	FCD0142	FCD0142/1	FCS0142/2	FCS0142/3
CRF 450 R - E	450	2009 → 2010		FCD0142	FCD0142/1	FCS0142/2	FCS0142/3
CRF 450 R - E	450	2011 → 2014		FCD1107	FCD1107/1	FCS1107/2	FCS1107/3
CRF 450 R - E	450	2015 →		FCD1107	FCD1107/1	FCS1107/2	FCS1107/3
CRF 450 X	450	2005 →		FCD0142	FCD0142/1	FCS0142/2	FCS0142/3
CR 480 R	480	1982 →	FSS0112	FCD0152	FCD0152/1		
CR 480 R	480	1983 →	FSS0113	FCD0120	FCD0120/1	FCS0120/2	FCS0120/3
CB 500	500	1994 → 2003		FCD0125	FCD0125/1		
CB 500 K1 - K2	500	1975 → 1977	FSS0402	FCD0154			
CB 500 T	500	1975 → 1977	FSS0106	FCD0166	FCD0166/1		
CBF 500	500	2004 → 2007		FCD0125	FCD0125/1		
CBF 500 ABS	500	2004 → 2007		FCD0125	FCD0125/1		
CBR 500 F	500	1987 → 1990	FSS0105	FCD1126		FCS1126/2	
CR 500 R	500	1984 → 1989	FSS0113	FCD0120	FCD0120/1	FCS0120/2	FCS0120/3
CR 500 R	500	1990 → 2001	FSS0113	FCD0142	FCD0142/1	FCS0142/2	FCS0142/3
CR 500 R	500	2002 →	FSS0113	FCD0142	FCD0142/1	FCS0142/2	FCS0142/3
CRM 500 X SUPERMOTARD	500	2007 →	FSS0113	FCD0142	FCD0142/1	FCS0142/2	FCS0142/3
CX 500	500	1979 → 1985	FSS0117	FCD0105	FCD0105/1		
CX 500 T (TURBO)	500	1983 →	FSS0404	FCD0114			
FT 500 C	500	1982 →	FSS0106	FCD1108	FCD1108/1		
GL 500 DC	500	1982 →	FSS0117	FCD0105	FCD0105/1		
NX 500 DOMINATOR	500	1988 → 1999	FSS0107	FCD1112	FCD1112/1	FCS1112/2	FCS1112/3
VF 500 F	500	1984 → 1985	FSS0103	FCD0123	FCD0123/1		
VT 500 ED - EF - C	500	1983 → 1985		FCD0115	FCD0115/1		
XBR 500	500	1985 → 1989		FCD0159	FCD0159/1	FCS0159/2	FCS0159/3
XL 500 R - RC	500	1982 →	FSS0106	FCD0102	FCD0102/1		
XL 500 R PARIS DAKAR	500	1983 →	FSS0106	FCD0102	FCD0102/1		
XL 500 SA - SB	500	1981 →	FSS0106	FCD0102	FCD0102/1		
XL 500 SZ	500	1980 →	FSS0106	FCD0102	FCD0102/1		
XR 500 R	500	1981 → 1982	FSS0106	FCD1108	FCD1108/1		
XR 500 R	500	1983 →	FSS0106	FCD1108	FCD1108/1		
XR 500 R	500	1984 → 1985	FSS0106	FCD1111	FCD1111/1		
XR 500 S	500	1979 → 1980	FSS0106	FCD1108	FCD1108/1		
CB 550	550	1978 → 1980	FSS0103	FCD0105	FCD0105/1		
CBX 550 F	550	1982 → 1985	FSS0304	FCD1126		FCS1126/2	
CB 600 F HORNET	600	1998 → 1999	FSS0309	FCD0133	FCD0133/1	FCS0133/2	FCS0133/3
CB 600 F HORNET	600	2005 → 2006	FSS0309	FCD0133	FCD0133/1	FCS0133/2	FCS0133/3
CB 600 F HORNET	600	2007 →	FSS0128	FCD0135	FCD0135/1	FCS0135/2	FCS0135/3
CB 600 F HORNET ABS	600	2007 →	FSS0128	FCD0135	FCD0135/1	FCS0135/2	FCS0135/3
CB 600 F HORNET S	600	2000 → 2004	FSS0309	FCD0133	FCD0133/1	FCS0133/2	FCS0133/3
CBF 600	600	2004 → 2007	FSS0309	FCD0133	FCD0133/1	FCS0133/2	FCS0133/3
CBF 600	600	2008 → 2011	FSS0128	FCD0135	FCD0135/1	FCS0135/2	FCS0135/3
CBF 600 ABS	600	2008 → 2011	FSS0128	FCD0135	FCD0135/1	FCS0135/2	FCS0135/3
CBR 600 F	600	1987 → 1988	FSS0105	FCD1126		FCS1126/2	
CBR 600 F	600	1989 → 1990	FSS0119	FCD1126		FCS1126/2	
CBR 600 F	600	1991 → 1998	FSS0309	FCD0133	FCD0133/1	FCS0133/2	FCS0133/3
CBR 600 F	600	1999 → 2000	FSS0114	FCD1121	FCD1121/1	FCS1121/2	FCS1121/3
CBR 600 F	600	2003 → 2007	FSS0309	FCD0135	FCD0135/1	FCS0135/2	FCS0135/3
CBR 600 F	600	2011 → 2012	FSS0309	FCD0135	FCD0135/1	FCS0135/2	FCS0135/3
CBR 600 F ABS	600	2011 → 2012	FSS0309	FCD0135	FCD0135/1	FCS0135/2	FCS0135/3
CBR 600 F SPORT	600	2001 → 2010	FSS0309	FCD0135	FCD0135/1	FCS0135/2	FCS0135/3
CBR 600 RR	600	2003 → 2015	FSS0128	FCD0135	FCD0135/1	FCS0135/2	FCS0135/3
CBR 600 RR ABS	600	2009 → 2015	FSS0128	FCD0135	FCD0135/1	FCS0135/2	FCS0135/3
NTV 600 BROSS	600	1988 → 1991	FSS0306	FCD0140			
NTV 600 REVERSE	600	1988 → 1991	FSS0306	FCD0140			
VT 600 C SHADOW	600	1992 → 1993		FCD0125	FCD0125/1		
VT 600 C-CD SHADOW VLX	600	1994 → 2000		FCD0125	FCD0125/1		
XL 600 L	600	1985 → 1987	FSS0107	FCD1112	FCD1112/1	FCS1112/2	FCS1112/3
XL 600 R	600	1983 → 1987	FSS0106	FCD1112	FCD1112/1	FCS1112/2	FCS1112/3
XL 600 V TRANSALP	600	1987 → 1999	FSS0116	FCD1116	FCD1116/1	FCS1116/2	FCS1116/3

HONDA

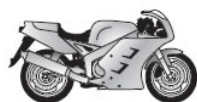
20014

FERODO
 MOTORCYCLE CLUTCHES
 Updated on 9th Oct 2015

FCDXXXX
 FCDXXXX/1
 FCSXXXX/2
 FCSXXXX/3

STANDARD
 HIGH PERFORMANCE
 STANDARD
 HIGH PERFORMANCE

FRICITION PLATES ONLY
 FRICITION PLATES ONLY
 FRICITION PLATES + STEEL PLATES
 FRICITION PLATES + STEEL PLATES



STANDARD HIGH PERFORMANCE



STANDARD HIGH PERFORMANCE

...HONDA

					STANDARD	HIGH PERFORMANCE	STANDARD	HIGH PERFORMANCE
XR 600 L - R	600	1993 → 2000	FSS0107	FCD1112	FCD1112/1	FCS1112/2	FCS1112/3	
XR 600 R	600	1985 → 1992	FSS0107	FCD1112	FCD1112/1	FCS1112/2	FCS1112/3	
CB 650 A - Z	650	1979 → 1981		FCD0106	FCD0106/1			
CB 650 SCC NIGHTHAWK	650	1982 →		FCD0106	FCD0106/1			
CX 650 ED	650	1983 → 1985	FSS0105	FCD0106	FCD0106/1			
CX 650 TD (TURBO) E	650	1983 →	FSS0404	FCD0114				
FMX 650	650	2005 → 2008	FSS0107	FCD1112	FCD1112/1	FCS1112/2	FCS1112/3	
FX 650 VIGOR	650	1999 → 2003	FSS0107	FCD1112	FCD1112/1	FCS1112/2	FCS1112/3	
GL 650	650	1984 →	FSS0105	FCD0106	FCD0106/1			
NTV 650 BROS	650	1988 → 1992	FSS0113	FCD1122	FCD1122/1	FCS1122/2	FCS1122/3	
NTV 650 DEAUVILLE	650	1998 → 2005		FCD1122	FCD1122/1	FCS1122/2	FCS1122/3	
NTV 650 REVERSE	650	1993 → 1997		FCD1122	FCD1122/1	FCS1122/2	FCS1122/3	
NX 650 DOMINATOR	650	1988 → 2004	FSS0107	FCD1112	FCD1112/1	FCS1112/2	FCS1112/3	
SLR 650	650	1997 → 1998	FSS0107	FCD1112	FCD1112/1	FCS1112/2	FCS1112/3	
XL 650 V TRANSALP	650	2000 → 2007	FSS0113	FCD0140				
XR 650 L	650	1993 → 2012	FSS0107	FCD1112	FCD1112/1	FCS1112/2	FCS1112/3	
XR 650 R	650	2000 → 2007	FSS0309	FCD0188				
XRV 650 AFRICA TWIN	650	1988 → 1990	FSS0113	FCD0140				
NT 700 DEAUVILLE ABS	700	2007 → 2012		FCD1122	FCD1122/1	FCS1122/2	FCS1122/3	
NT 700 V DEAUVILLE	700	2006 → 2012		FCD1122	FCD1122/1	FCS1122/2	FCS1122/3	
NT 700 V VARADERO - ABS	700	2010 →		FCD1122	FCD1122/1	FCS1122/2	FCS1122/3	
XL 700 V TRANSALP	700	2008 → 2011	FSS0103	FCD0140				
XL 700 V TRANSALP ABS	700	2008 → 2011	FSS0103	FCD0140				
CB 750	750	1969 → 1970	FSS0103	FCD0170	FCD0170/1			
CB 750	750	1971 → 1975		FCD0179				
CB 750	750	1978 →	FSS0127	FCD0104				
CB 750	750	1980 →	FSS0117	FCD0108	FCD0108/1			
CB 750 F	750	1976 → 1977	FSS0127	FCD0180				
CB 750 F	750	1979 → 1982	FSS0117	FCD0108	FCD0108/1			
CB 750 N SEVEN FIFTY	750	1992 → 2002	FSS0301	FCD0146	FCD0146/1			
CBR 750 SUPER AERO	750	1987 →	FSS0305	FCD0174	FCD0174/1			
CBR 750 SUPER AERO	750	1988 →	FSS0305	FCD0174	FCD0174/1			
CBX 750 FE	750	1983 → 1985		FCD0118	FCD0118/1			
RVF 750 RR (RC 45)	750	1994 → 1998		FCD0144	FCD0144/1			
VF 750 C	750	1993 → 1999	FSS0113	FCD1125	FCD1125/1			
VF 750 C SHADOW	750	1983 →		FCD0118	FCD0118/1			
VF 750 CH	750	1987 →		FCD0118	FCD0118/1			
VF 750 SABRE	750	1982 →		FCD0118	FCD0118/1			
VFR 750 C V45 MAGNA	750	1988 →	FSS0113	FCD0133	FCD0133/1	FCS0133/2	FCS0133/3	
VFR 750 F	750	1990 → 1997	FSS0113	FCD0133	FCD0133/1	FCS0133/2	FCS0133/3	
VFR 750 F INTERCEPTOR	750	1986 → 1989	FSS0113	FCD0133	FCD0133/1	FCS0133/2	FCS0133/3	
VFR 750 R (RC-30)	750	1988 → 1993		FCD0139	FCD0139/1	FCS0139/2	FCS0139/3	
VT 750 BLACK WINDOW	750	2001 → 2004	FSS0113	FCD0140				
VT 750 C SHADOW	750	1983 → 1985		FCD0118	FCD0118/1			
VT 750 C SHADOW	750	1997 → 2012	FSS0113	FCD1122	FCD1122/1	FCS1122/2	FCS1122/3	
VT 750 SHADOW BLACK SPIRIT	750	2010 → 2012		FCD0140				
VT 750 SHADOW SPIRIT	750	2007 → 2009	FSS0113	FCD0140				
XLV 750 R	750	1983 → 1988		FCD0118	FCD0118/1			
XRV 750 R AFRICA TWIN	750	1990 → 2003	FSS0301	FCD0119	FCD0119/1			
PC 800 PACIFIC COAST	800	1989 → 1997	FSS0407	FCD0119	FCD0119/1			
VFR 800	800	2006 → 2009	FSS0114	FCD1127	FCD1127/1			
VFR 800 ABS	800	2006 → 2011	FSS0114	FCD1127	FCD1127/1			
VFR 800 FI	800	1998 → 1999	FSS0114	FCD1125	FCD1125/1			
VFR 800 FI	800	2000 → 2002	FSS0114	FCD0175	FCD0175/1			
VFR 800 V-TECH	800	2002 → 2005	FSS0114	FCD1127	FCD1127/1			
CB 900 F	900	1979 → 1985		FCD0108	FCD0108/1			
CB 900 HORNET	900	2002 → 2007	FSS0309	FCD0135	FCD0135/1	FCS0135/2	FCS0135/3	
CBR 900 RR FIREBLADE (918 cc)	900	1995 →	FSS0113	FCD1123	FCD1123/1	FCS1123/2	FCS1123/3	
CBR 900 RR FIREBLADE (918 cc)	900	1996 → 1997	FSS0309	FCD0147	FCD0147/1	FCS0147/2	FCS0147/3	
CBR 900 RR-FIREBLADE (893 cc)	900	1992 → 1994	FSS0113	FCD1123	FCD1123/1	FCS1123/2	FCS1123/3	
CBR 900 RR-FIREBLADE (918 cc)	900	1998 → 1999	FSS0309	FCD0135	FCD0135/1	FCS0135/2	FCS0135/3	
CBR 900 RR-FIREBLADE (929 cc)	900	2000 → 2001	FSS0309	FCD0133	FCD0133/1	FCS0133/2	FCS0133/3	
CBR 900 RR-FIREBLADE (954 cc)	900	2002 → 2003	FSS0309	FCD0133	FCD0133/1	FCS0133/2	FCS0133/3	
CB 1000 F	1000	1993 → 1997	FSS0114	FCD0143	FCD0143/1	FCS0143/2	FCS0143/3	
CB 1000 R	1000	2008 → 2012		FCD1103	FCD1103/1	FCS1103/2	FCS1103/3	
CB 1000 R ABS	1000	2008 → 2012		FCD1103	FCD1103/1	FCS1103/2	FCS1103/3	
CBF 1000	1000	2006 → 2011		FCD1104	FCD1104/1			
CBF 1000 ABS	1000	2006 → 2011		FCD1104	FCD1104/1			
CBF 1000 F	1000	2010 → 2014		FCD1104	FCD1104/1			
CBF 1000 F ABS	1000	2010 → 2014		FCD1104	FCD1104/1			
CBR 1000 F	1000	1987 → 1992	FSS0114	FCD0143	FCD0143/1	FCS0143/2	FCS0143/3	
CBR 1000 F-FP	1000	1993 → 1999	FSS0114	FCD0143	FCD0143/1	FCS0143/2	FCS0143/3	
CBR 1000 RR	1000	2006 → 2007		FCD1103	FCD1103/1	FCS1103/2	FCS1103/3	
CBR 1000 RR FIREBLADE	1000	2004 → 2005		FCD1103	FCD1103/1	FCS1103/2	FCS1103/3	
CBR 1000 RR FIREBLADE	1000	2008 → 2015		FCD1105	FCD1105/1	FCS1105/2	FCS1105/3	
CBR 1000 RR FIREBLADE ABS	1000	2009 → 2015		FCD1105	FCD1105/1	FCS1105/2	FCS1105/3	

FCDXXXX STANDARD FRICTION PLATES ONLY
 FCDXXXX/1 HIGH PERFORMANCE FRICTION PLATES ONLY
 FCSXXXX/2 STANDARD FRICTION PLATES + STEEL PLATES
 FCSXXXX/3 HIGH PERFORMANCE FRICTION PLATES + STEEL PLATES

FERODO
 MOTORCYCLE CLUTCHES
 Updated on 9th Oct 2015

2015



KIT RANGE



HIGH PERFORMANCE



HIGH PERFORMANCE

...HONDA

					STANDARD	HIGH PERFORMANCE	STANDARD	HIGH PERFORMANCE
CBX 1000	1000	1977 → 1980			FCD0165			
CBX 1000 B - C	1000	1981 →	FSS0404		FCD0165			
GL 1000 K GOLDWING	1000	1975 → 1977	FSS0404		FCD0160	FCD0160/1		
GL 1000 K GOLDWING	1000	1977 →	FSS0404		FCD0160	FCD0160/1		
GL 1000 K GOLDWING	1000	1978 →	FSS0404		FCD0103			
VF 1000 F	1000	1984 → 1986			FCD0122	FCD0122/1		
VF 1000 R	1000	1984 → 1985			FCD0122	FCD0122/1		
VF 1000 R	1000	1986 →			FCD0122	FCD0122/1		
VTR 1000 F FIRESTORM	1000	1997 → 2006			FCD1124	FCD1124/1	FCS1124/2	FCS1124/3
VTR 1000 SP1	1000	2000 → 2001	FSS0523		FCD0150			
VTR 1000 SP2	1000	2002 → 2007	FSS0523		FCD1101			
XL 1000 V VARADERO	1000	1999 → 2002			FCD0190	FCD0190/1		
XLV 1000 VARADERO	1000	2003 → 2009			FCD0144	FCD0144/1		
XLV 1000 VARADERO ABS	1000	2004 → 2009			FCD0144	FCD0144/1		
CB 1100 R	1100	1980 → 1981	FSS0103		FCD0108	FCD0108/1		
CB 1100 R	1100	1982 → 1983	FSS0207		FCD0108	FCD0108/1		
CB 1100 SF X ELEVEN (X11)	1100	2000 → 2003	FSS0523		FCD0150			
CBR 1100 XX BLACKBIRD	1100	1997 → 1998	FSS0121		FCD0149			
CBR 1100 XX SUPERBLACKBIRD	1100	1999 → 2008	FSS0523		FCD0150			
GL 1100	1100	1980 → 1981	FSS0404		FCD0114			
ST 1100 PAN EUROPEAN	1100	1989 → 2002			FCD0145	FCD0145/1	FCS0145/2	FCS0145/3
ST 1100 PAN EUROPEAN ABS	1100	1992 → 2002			FCD0145	FCD0145/1	FCS0145/2	FCS0145/3
VT 1100 C SHADOW	1100	1987 → 1998			FCD0196	FCD0196/1		
VT 1100 C2	1100	1995 → 2005			FCD0122	FCD0122/1		
VT 1100 C3	1100	1998 → 2000			FCD0122	FCD0122/1		
GL 1200	1200	1984 → 1985			FCD0134			
GL 1200	1200	1986 → 1987			FCD0137			
VFR 1200 F	1200	2010 →			FCD1106	FCD1106/1	FCS1106/2	FCS1106/3
CB 1300 F	1300	1998 → 2000			FCD0199	FCD0199/1		
CB 1300 F SUPER FOUR	1300	2003 → 2004			FCD0144	FCD0144/1		
CB 1300 F1	1300	2001 →			FCD0199	FCD0199/1		
CB 1300 SUPER BOL DOR	1300	2005 → 2008			FCD0144	FCD0144/1		
CB 1300 SUPERFOUR	1300	2005 → 2009			FCD0144	FCD0144/1		
CB 1300 X4	1300	1997 → 2000	FSS0121		FCD0190	FCD0190/1		
ST 1300 PAN EUROPEAN	1300	2002 → 2012			FCD0197			
VT 1300 FURY	1300	2010 → 2012			FCD0198			
VT 1300 FURY ABS	1300	2010 → 2011			FCD0198			
VTX 1300	1300	2003 → 2008			FCD0198			
GL 1500 F6C VALKYRIE	1500	1997 → 2003			FCD0184	FCD0184/1		
GL 1500 GOLDWING	1500	1988 → 2000			FCD0184	FCD0184/1		
GL 1800 GOLDWING	1800	2001 → 2012			FCD0197			
GL 1800 GOLDWING F6B	1800	2013 →			FCD0197			
VTX 1800	1800	2002 → 2008			FCD0198			

HONDA ATV

ATC 70 all models	70	1978 → 1985	FSS0108		FCD0107			
TRX 90	90	1993 → 2011			FCD0110	FCD0110/1		
ATC 110 all models	110	1979 → 1984	FSS0108		FCD0113			
ATC 125 M	125	1984 → 1985	FSS0110		FCD0113			
ATC 125 M	125	1986 →			FCD0110	FCD0110/1		
TRX 125 J	125	1988 →			FCD0110	FCD0110/1		
ATC 185	185	1980 → 1983	FSS0111		FCD0110	FCD0110/1		
TRX 200 FOURTRAX	200	1986 → 1997			FCD1109	FCD1109/1	FCS1109/2	FCS1109/3
ATC 250 ESF/ESG/ESH/ESJ	250	1985 → 1988			FCD0130			
ATC 250 R	250	1981 → 1984	FSS0115		FCD0117			
TRX 250	250	1986 → 1989			FCD0130			
TRX 250 EX SPORTRAX	250	2001 → 2008			FCD1109	FCD1109/1	FCS1109/2	FCS1109/3
TRX 250 FOURTRAX	250	1985 → 1987			FCD0130			
TRX 250 R FOURTRAX	250	1986 → 1989			FCD0129	FCD0129/1	FCS0129/2	FCS0129/3
TRX 250 RECON	250	1997 → 2012			FCD1109	FCD1109/1	FCS1109/2	FCS1109/3
TRX 250 X	250	1986 → 1989			FCD0129	FCD0129/1	FCS0129/2	FCS0129/3
TRX 250 X FOURTRAX	250	1987 → 1992			FCD0129	FCD0129/1	FCS0129/2	FCS0129/3
TRX 250 X9	250	2009 → 2011			FCD1109	FCD1109/1	FCS1109/2	FCS1109/3
TRX 300 EX FOURTRAX	300	1993 → 2008	FSS0101		FCD0126	FCD0126/1	FCS0126/2	FCS0126/3
TRX 300 FW FOURTRAX (4WD)	300	1988 → 2000			FCD0131	FCD0131/1	FCS0131/2	FCS0131/3
TRX 300 XP	300	2009 →	FSS0101		FCD0126	FCD0126/1	FCS0126/2	FCS0126/3
TRX 350	350	1986 → 1993	FSS0105		FCD0131	FCD0131/1	FCS0131/2	FCS0131/3
TRX 350 FOURTRAX RANCHER 4x4 FEY	350	2000 → 2005	FSS0120		FCD0115	FCD0115/1		
TRX 350 FOURTRAX RANCHER 4x4 FMY	350	2000 → 2005	FSS0120		FCD0131	FCD0131/1	FCS0131/2	FCS0131/3
FL 400 R PILOT	400	1989 → 1993			FCD0182			
TRX 400 EX	400	1999 → 2008	FSS0122		FCD1120	FCD1120/1	FCS1120/2	FCS1120/3
TRX 400 FW	400	1995 → 2000			FCD0131	FCD0131/1	FCS0131/2	FCS0131/3
TRX 400 X9	400	2009 →	FSS0122		FCD1120	FCD1120/1	FCS1120/2	FCS1120/3
TRX 420 FOURTRAX 4WD - Power Steering FP	420	2009 → 2011			FCD0112	FCD0112/1	FCS0112/2	FCS0112/3
TRX 420 FOURTRAX FE ES 4WD	420	2007 → 2010			FCD0131	FCD0131/1	FCS0131/2	FCS0131/3

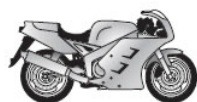
20016

FERODO
MOTORCYCLE CLUTCHES
Updated on 9th Oct 2015

FCDXXXX
FCDXXXX/1
FCSXXXX/2
FCSXXXX/3

STANDARD
HIGH PERFORMANCE
STANDARD
HIGH PERFORMANCE

FRICITION PLATES ONLY
FRICITION PLATES ONLY
FRICITION PLATES + STEEL PLATES
FRICITION PLATES + STEEL PLATES



KIT RANGE



STANDARD

HIGH PERFORMANCE



STANDARD

HIGH PERFORMANCE

...HONDA ATV

Model	Capacity	Year Range	Code	STANDARD	HIGH PERFORMANCE	STANDARD	HIGH PERFORMANCE
TRX 420 FOURTRAX TE ES 2WD	420	2007 → 2009		FCD0131	FCD0131/1	FCS0131/2	FCS0131/3
TRX 420 FOURTRAX TM	420	2007 → 2011		FCD0112	FCD0112/1	FCS0112/2	FCS0112/3
TRX 450 ES FOURTRAXFOREMAN/S	450	1998 → 2001		FCD0131	FCD0131/1	FCS0131/2	FCS0131/3
TRX 450 R - ER	450	2004 → 2009	FSS0306	FCD0194	FCD0194/1	FCS0194/2	FCS0194/3
TRX 500 FEC FOURTRAX 2WD-4WD	500	2012 →		FCD0112	FCD0112/1	FCS0112/2	FCS0112/3
TRX 500 FMC FOURTRAX 2WD-4WD	500	2012 →		FCD0112	FCD0112/1	FCS0112/2	FCS0112/3
TRX 500 Fourtrax Foreman 4WD FE ES	500	2005 → 2011		FCD0112	FCD0112/1	FCS0112/2	FCS0112/3
TRX 500 Fourtrax Foreman 4x4 FM	500	2005 → 2011		FCD0112	FCD0112/1	FCS0112/2	FCS0112/3
TRX 700 XX	700	2008 → 2012	FSS0306	FCD1102	FCD1102/1	FCS1102/2	FCS1102/3

HUSQVARNA

CR 125	125	1995 → 2013		FCD0538	FCD0538/1	FCS0538/2	FCS0538/3
SM 125 SUPERMOTARD	125	1998 → 2013		FCD0538	FCD0538/1	FCS0538/2	FCS0538/3
SMS 125	125	2009 → 2013		FCD0538	FCD0538/1	FCS0538/2	FCS0538/3
TE 125	125	2014 →			FCD0501/1		FCS0501/3
WR 125	125	1995 → 2013		FCD0538	FCD0538/1	FCS0538/2	FCS0538/3
WRE 125	125	1995 → 2013		FCD0538	FCD0538/1	FCS0538/2	FCS0538/3
CR 150	150	2011 →		FCD0538	FCD0538/1	FCS0538/2	FCS0538/3
WR 150	150	2011 →		FCD0538	FCD0538/1	FCS0538/2	FCS0538/3
CR 250	250	1995 →		FCD0633	FCD0633/1	FCS0633/2	FCS0633/3
CR 250	250	1996 → 1998		FCD0633	FCD0633/1	FCS0633/2	FCS0633/3
CR 250	250	1999 → 2013		FCD0692	FCD0692/1	FCS0692/2	FCS0692/3
FC 250	250	2014 →			FCD0731/1		FCS0731/3
FE 250	250	2014 →			FCD0731/1		FCS0731/3
TC 250	250	2004 → 2013		FCD0538	FCD0538/1	FCS0538/2	FCS0538/3
TE 250	250	2004 → 2013		FCD0538	FCD0538/1	FCS0538/2	FCS0538/3
TXC 250	250	2010 → 2013		FCD0538	FCD0538/1	FCS0538/2	FCS0538/3
WR 250	250	1995 → 1997		FCD0633	FCD0633/1	FCS0633/2	FCS0633/3
WR 250	250	1998 →		FCD0633	FCD0633/1	FCS0633/2	FCS0633/3
WR 250	250	1999 → 2013		FCD0692	FCD0692/1	FCS0692/2	FCS0692/3
TC 310	310	2011 → 2013		FCD0538	FCD0538/1	FCS0538/2	FCS0538/3
TE 310 4T	310	2010 → 2013		FCD0538	FCD0538/1	FCS0538/2	FCS0538/3
TXC 310	310	2011 → 2013		FCD0538	FCD0538/1	FCS0538/2	FCS0538/3
FE 350	350	2014 →			FCD0731/1		FCS0731/3
CR 360	360	1995 → 1998		FCD0633	FCD0633/1	FCS0633/2	FCS0633/3
WR 360	360	1995 → 1998		FCD0633	FCD0633/1	FCS0633/2	FCS0633/3
WR 360	360	1999 → 2013		FCD0692	FCD0692/1	FCS0692/2	FCS0692/3
TE 400	400	2001 → 2013			FCD0558/1		FCS0558/3
TE 410	410	1995 → 1998		FCD0633	FCD0633/1	FCS0633/2	FCS0633/3
TE 410	410	1999 →		FCD0692	FCD0692/1	FCS0692/2	FCS0692/3
TE 410	410	2002 → 2013			FCD0558/1		FCS0558/3
FE 450	450	2014 →			FCD0731/1		FCS0731/3
FE 501	501	2014 →			FCD0731/1		FCS0731/3
SM 570 R	570	2001 →			FCD0558/1		FCS0558/3
TC 570	570	2002 → 2013			FCD0558/1		FCS0558/3
TE 570	570	2001 →			FCD0558/1		FCS0558/3
TE 570	570	2002 → 2013			FCD0558/1		FCS0558/3
TC 610	610	1996 → 1997		FCD0633	FCD0633/1	FCS0633/2	FCS0633/3
TC 610	610	1998 → 1999		FCD0692	FCD0692/1	FCS0692/2	FCS0692/3
TC 610	610	2000 → 2013			FCD0558/1		FCS0558/3
TE 610	610	1996 → 1997		FCD0633	FCD0633/1	FCS0633/2	FCS0633/3
TE 610 E	610	1998 → 1999		FCD0692	FCD0692/1	FCS0692/2	FCS0692/3
TE 610 E	610	2000 →			FCD0558/1		FCS0558/3

HYOSUNG

COMET GT 125	125	2004 → 2006		FCD0684	FCD0684/1	FCS0684/2	FCS0684/3
COMET GT 125 AT EURO 3	125	2007 → 2008		FCD0684	FCD0684/1	FCS0684/2	FCS0684/3
COMET GT 125 R EURO 2	125	2006 →		FCD0684	FCD0684/1	FCS0684/2	FCS0684/3
COMET GT 125 R EURO 3	125	2007 →		FCD0684	FCD0684/1	FCS0684/2	FCS0684/3
CRUISE GA 125 F	125	2005 →		FCD0684	FCD0684/1	FCS0684/2	FCS0684/3
GF 125 F	125	2005 →		FCD0684	FCD0684/1	FCS0684/2	FCS0684/3
GV 125 AQUILA	125	2005 → 2009		FCD0684	FCD0684/1	FCS0684/2	FCS0684/3
KARION RT 125	125	2004 → 2006		FCD0684	FCD0684/1	FCS0684/2	FCS0684/3
KARION RT 125 D EURO 3	125	2007 → 2009		FCD0684	FCD0684/1	FCS0684/2	FCS0684/3
RX 125 EURO 3	125	2007 → 2008		FCD0684	FCD0684/1	FCS0684/2	FCS0684/3
RX 125 SM	125	2007 → 2008		FCD0684	FCD0684/1	FCS0684/2	FCS0684/3
XRX 125 OFFROAD	125	1999 → 2006		FCD0684	FCD0684/1	FCS0684/2	FCS0684/3
GT 250 COMET	250	2003 → 2005			FCD0742/1		
GT 250 COMET FI EURO 3	250	2007 → 2008			FCD0742/1		
GT 250 COMET R	250	2007 →			FCD0742/1		
GT 250 COMET R FI EURO 3	250	2007 → 2008			FCD0742/1		
GV 250 AQUILA	250	2004 → 2007			FCD0742/1		
GV 250 AQUILA FI & EI EURO 3	250	2008 → 2009			FCD0742/1		
TE 450 RAPIER	450	2007 → 2008			FCD0685/1		

FCDXXXX STANDARD FRICTION PLATES ONLY
 FCDXXXX/1 HIGH PERFORMANCE FRICTION PLATES ONLY
 FCSXXXX/2 STANDARD FRICTION PLATES + STEEL PLATES
 FCSXXXX/3 HIGH PERFORMANCE FRICTION PLATES + STEEL PLATES

FERODO
 MOTORCYCLE CLUTCHES
 Updated on 9th Oct 2015

20017

HYOSUNG



STANDARD HIGH PERFORMANCE



STANDARD HIGH PERFORMANCE

...HYOSUNG

GT 650 COMET	650	2004 → 2006			FCD0685/1		
GT 650 COMET R - S	650	2005 → 2006			FCD0685/1		
GT 650 FI	650	2007 → 2008			FCD0685/1		
GT 650 R TTC	650	2007 → 2008			FCD0685/1		
GT 650 RFI	650	2007 → 2008			FCD0685/1		
GV 650 AQUILA	650	2005 → 2007			FCD0685/1		
GV 650 AQUILA FI - FI LE	650	2007 → 2010			FCD0685/1		
I DELUXE 700	700	2013 →			FCD0685/1		
ST7 700	700	2010 →			FCD0685/1		

INNOCENTI

LAMBRETTA 125 DL	125	→			FCD0545		FCS0545/2
LAMBRETTA 125 LI	125	→			FCD0545		FCS0545/2
LAMBRETTA J 125	125	→			FCD0545		FCS0545/2
LAMBRETTA 150 DL	150	→			FCD0545		FCS0545/2
LAMBRETTA 150 LI	150	→			FCD0545		FCS0545/2
LAMBRETTA 175	175	→			FCD0545		FCS0545/2
LAMBRETTA 175 LI	175	→			FCD0545		FCS0545/2
LAMBRETTA 175 TV II	175	→			FCD0545		FCS0545/2
LAMBRETTA 200 DL	200	→			FCD0545		FCS0545/2

KAWASAKI

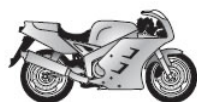
AE 50	50	1981 → 1984	FSS0108		FCD0436		
AR 50	50	1981 → 1997	FSS0108		FCD0436		
KDX 50	50	2003 → 2006			FCD0319		
KSR 50 (KMX50)	50	1990 → 1991	FSS0125		FCD0436		
KX 60	60	1983 → 2003	FSS0108		FCD0411		FCS0411/2
KX 65	65	2000 →	FSS0410		FCD0411		FCS0411/2
AE 80	80	1981 → 1983	FSS0108		FCD0413		
AR 80	80	1981 → 1991	FSS0108		FCD0413		
KSR II 80 (KMX 80)	80	1990 → 1991	FSS0125		FCD0413		
KX 80	80	1983 →	FSS0410		FCD0473		
KX 80	80	1984 →	FSS0410		FCD0473		
KX 80	80	1985 → 1987			FCD0419		FCS0419/2
KX 80	80	1988 →			FCD0445	FCD0445/1	FCS0445/2 FCS0445/3
KX 80	80	1989 → 1996			FCD0423	FCD0423/1	FCS0423/2 FCS0423/3
KX 80	80	1997 →			FCD0423	FCD0423/1	FCS0423/2 FCS0423/3
KX 80	80	1998 → 2000			FCD0415	FCD0415/1	FCS0415/2 FCS0415/3
KX 85	85	2001 → 2015			FCD0415	FCD0415/1	FCS0415/2 FCS0415/3
KC 100	100	1980 → 1983	FSS0405		FCD0413		
KE 100	100	1979 → 1981	FSS0405		FCD0413		
KE 100	100	1982 → 1998	FSS0410		FCD0413		
KH 100	100	1978 → 1987	FSS0405		FCD0413		
KM 100	100	1978 → 1981	FSS0405		FCD0413		
KX 100	100	1988 →			FCD0445	FCD0445/1	FCS0445/2 FCS0445/3
KX 100	100	1989 → 1996			FCD0423	FCD0423/1	FCS0423/2 FCS0423/3
KX 100	100	1997 →			FCD0423	FCD0423/1	FCS0423/2 FCS0423/3
KX 100	100	1998 → 2000			FCD0415	FCD0415/1	FCS0415/2 FCS0415/3
KX 100	100	2001 → 2014			FCD0415	FCD0415/1	FCS0415/2 FCS0415/3
KLX 110	110	2002 → 2015	FSS0410		FCD0473		
KAZE 115 R	115	1998 →			FCD0449		
AR 125	125	1982 → 1994	FSS0117		FCD0481	FCD0481/1	
BN 125	125	1998 → 1999	FSS0117		FCD0442	FCD0442/1	
BN 125 ELIMINATOR	125	2000 → 2007	FSS0117		FCD0442	FCD0442/1	
KDX 125	125	1990 → 1994	FSS0401		FCD0438	FCD0438/1	
KE 125	125	1980 → 1985	FSS0401		FCD0437		
KH 125	125	1977 → 1981	FSS0401		FCD0437		
KH 125	125	1982 →	FSS0410		FCD0413		
KH 125	125	1983 → 1998	FSS0410		FCD0473		
KLX 125	125	2003 → 2006	FSS0307		FCD0301	FCD0301/1	
KLX 125	125	2010 → 2012			FCD0465	FCD0465/1	FCS0465/2 FCS0465/3
KLX 125 D-TRACKER	125	2010 → 2012			FCD0465	FCD0465/1	FCS0465/2 FCS0465/3
KLX 125 L	125	2003 → 2006	FSS0307		FCD0301	FCD0301/1	
KMX 125	125	1986 → 1987	FSS0115		FCD0481	FCD0481/1	
KMX 125	125	1988 → 2003	FSS0115		FCD0447	FCD0447/1	
KX 125	125	1982 →	FSS0401		FCD0410		
KX 125	125	1983 →	FSS0308		FCD0444		
KX 125	125	1984 →	FSS0401		FCD0444		
KX 125	125	1985 → 1986	FSS0401		FCD0420	FCD0420/1	FCS0420/2 FCS0420/3
KX 125	125	1987 →	FSS0401		FCD0420	FCD0420/1	FCS0420/2 FCS0420/3
KX 125	125	1988 →			FCD0424	FCD0424/1	FCS0424/2 FCS0424/3
KX 125	125	1989 →			FCD0424	FCD0424/1	FCS0424/2 FCS0424/3
KX 125	125	1990 → 1992			FCD0425	FCD0425/1	FCS0425/2 FCS0425/3
KX 125	125	1993 →			FCD0448	FCD0448/1	FCS0448/2 FCS0448/3

HYOSUNG

20018

FERODO
MOTORCYCLE CLUTCHES
Updated on 9th Oct 2015

FCDXXXX	STANDARD	FRICITION PLATES ONLY
FCDXXXX/1	HIGH PERFORMANCE	FRICITION PLATES ONLY
FCSXXXX/2	STANDARD	FRICITION PLATES + STEEL PLATES
FCSXXXX/3	HIGH PERFORMANCE	FRICITION PLATES + STEEL PLATES



STANDARD HIGH PERFORMANCE



STANDARD HIGH PERFORMANCE

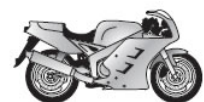
...KAWASAKI

					STANDARD	HIGH PERFORMANCE	STANDARD	HIGH PERFORMANCE
KX 125	125	1994 → 1996	FSS0403	FCD0485	FCD0485/1			
KX 125	125	1997 → 2002	FSS0413	FCD0406	FCD0406/1	FCS0406/2	FCS0406/3	
KX 125	125	2003 → 2005	FSS0417	FCD0406	FCD0406/1	FCS0406/2	FCS0406/3	
KX 125	125	2006 →	FSS0417	FCD0406	FCD0406/1	FCS0406/2	FCS0406/3	
KDX 175	175	1980 → 1982	FSS0401	FCD0410				
KE 175	175	1979 → 1983	FSS0205	FCD0437				
KDX 200	200	1983 → 1984	FSS0308	FCD0444				
KDX 200	200	1985 →	FSS0401	FCD0444				
KDX 200	200	1986 →	FSS0401	FCD0444				
KDX 200	200	1987 → 1988	FSS0401	FCD0476	FCD0476/1	FCS0476/2	FCS0476/3	
KDX 200	200	1989 →	FSS0404	FCD0469	FCD0469/1	FCS0469/2	FCS0469/3	
KDX 200	200	1990 → 1994	FSS0404	FCD0469	FCD0469/1	FCS0469/2	FCS0469/3	
KDX 200	200	1995 → 1999		FCD0429		FCS0429/2		
KMX 200	200	1988 → 1992	FSS0103	FCD0447	FCD0447/1			
Z 200	200	1977 →		FCD0414	FCD0414/1			
Z 200	200	1978 → 1982		FCD0485	FCD0485/1			
Z 200	200	1983 →		FCD0485	FCD0485/1			
KDX 220	220	1995 → 1999		FCD0429		FCS0429/2		
BJ 250 ESTRELLA	250	1996 → 2002		FCD0441	FCD0441/1			
BJ 250 ESTRELLA CUSTOM	250	1996 → 2002		FCD0441	FCD0441/1			
BJ 250 F1/F2	250	2002 → 2003	FSS0403	FCD0441	FCD0441/1			
EL 250	250	1990 → 2003		FCD0421	FCD0421/1			
EL 250 ELIMINATOR	250	1987 → 1989		FCD0421	FCD0421/1			
ER 250 (Z 250 T SCORPION)	250	1983 → 1988	FSS0403	FCD0407				
EX 250 R NINJA	250	2008 → 2012		FCD0464				
GPX 250 R	250	1988 → 1995		FCD0421	FCD0421/1			
GPX 250 R (EX E)	250	1986 →		FCD0421	FCD0421/1			
GPX 250 R II (EX G)	250	1988 →		FCD0421	FCD0421/1			
GPX 250 R NINJA	250	1987 →		FCD0421	FCD0421/1			
KDX 250	250	1981 →	FSS0301	FCD0412				
KDX 250	250	1982 → 1984	FSS0301	FCD0407				
KDX 250	250	1991 → 1993	FSS0407	FCD0486	FCD0486/1	FCS0486/2	FCS0486/3	
KH 250	250	1979 → 1980	FSS0401	FCD0410				
KL 250	250	1978 → 1984	FSS0403	FCD0485	FCD0485/1			
KL 250 SUPER SHERPA	250	1997 →	FSS0415	FCD0477	FCD0477/1			
KLE 250 ANHELO	250	1995 → 2001	FSS0403	FCD0421	FCD0421/1			
KLF 250 BAYOU	250	2003 → 2011		FCD1117	FCD1117/1	FCS1117/2	FCS1117/3	
KLF 250 BAYOU	250	2012 → 2013		FCD1117	FCD1117/1	FCS1117/2	FCS1117/3	
KLR 250 all models	250	1984 → 2005		FCD0471	FCD0471/1	FCS0471/2	FCS0471/3	
KLX 250 D1 - D4 - ES	250	1993 → 1997	FSS0401	FCD0477	FCD0477/1			
KLX 250 S	250	2006 → 2007		FCD0476	FCD0476/1	FCS0476/2	FCS0476/3	
KLX 250 S	250	2009 →		FCD0476	FCD0476/1	FCS0476/2	FCS0476/3	
KLX 250 SF	250	2009 → 2012		FCD0476	FCD0476/1	FCS0476/2	FCS0476/3	
KLX 250 TRACKER	250	1998 → 2003	FSS0401	FCD0477	FCD0477/1			
KR 250	250	1984 → 1986	FSS0404	FCD0460	FCD0460/1			
KR-1 250 (KR 250 B2)	250	1989 →	FSS0404	FCD0433	FCD0433/1			
KR-1 250 (KR 250 C2/C3)	250	1990 → 1992	FSS0404	FCD0433	FCD0433/1			
KX 250	250	1974 →	FSS0403	FCD0403				
KX 250	250	1975 → 1979	FSS0403	FCD0403				
KX 250	250	1980 → 1981	FSS0403	FCD0412				
KX 250	250	1982 →	FSS0404	FCD0451	FCD0451/1			
KX 250	250	1983 → 1984	FSS0404	FCD0451	FCD0451/1			
KX 250	250	1985 →	FSS0404	FCD0470	FCD0470/1			
KX 250	250	1986 →	FSS0404	FCD0470	FCD0470/1			
KX 250	250	1987 → 1988	FSS0403	FCD0422	FCD0422/1	FCS0422/2	FCS0422/3	
KX 250	250	1989 →	FSS0403	FCD0422	FCD0422/1	FCS0422/2	FCS0422/3	
KX 250	250	1990 →	FSS0301	FCD0422	FCD0422/1	FCS0422/2	FCS0422/3	
KX 250	250	1991 →	FSS0407	FCD0486	FCD0486/1	FCS0486/2	FCS0486/3	
KX 250	250	1992 → 2008		FCD0409	FCD0409/1	FCS0409/2	FCS0409/3	
KX F 250	250	2004 → 2014	FSS0417	FCD0378	FCD0378/1	FCS0378/2	FCS0378/3	
KX F 250	250	2015 →	FSS0417	FCD0378	FCD0378/1	FCS0378/2	FCS0378/3	
Z 250	250	1978 → 1980	FSS0301	FCD0407				
Z 250	250	1981 →	FSS0301	FCD0407				
Z 250 B1 - B2	250	1980 → 1983	FSS0301	FCD0407				
Z 250 C1 - C2	250	1981 →	FSS0403	FCD0485	FCD0485/1			
ZR 250 BALIUS	250	1991 → 1995	FSS0403	FCD0441	FCD0441/1			
ZR 250 BALIUS II	250	2002 →	FSS0403	FCD0441	FCD0441/1			
ZXR 250	250	1989 → 1995	FSS0403	FCD0441	FCD0441/1			
ZXR 250 R	250	1989 → 1990	FSS0403	FCD0432	FCD0432/1			
ZXR 250 R	250	1991 →	FSS0403	FCD0441	FCD0441/1			
ZZR 250	250	1990 → 2003		FCD0421	FCD0421/1			
KLX 300	300	1997 →	FSS0401	FCD0477	FCD0477/1			
KLX 300	300	1998 → 2006		FCD0477	FCD0477/1			
GPZ 305 all models	305	1983 → 1996	FSS0404	FCD0407				
FX 400 R (ZX 400)	400	1985 → 1988	FSS0406	FCD0475				
KH 400 A3-5	400	1976 → 1978	FSS0401	FCD0444				

FCDXXXX STANDARD FRICTION PLATES ONLY
 FCDXXXX/1 HIGH PERFORMANCE FRICTION PLATES ONLY
 FCSXXXX/2 STANDARD FRICTION PLATES + STEEL PLATES
 FCSXXXX/3 HIGH PERFORMANCE FRICTION PLATES + STEEL PLATES

FERODO
 MOTORCYCLE CLUTCHES
 Updated on 9th Oct 2015

20019



...KAWASAKI



KIT RANGE



STANDARD



HIGH PERFORMANCE

					STANDARD	HIGH PERFORMANCE	STANDARD	HIGH PERFORMANCE
KLX 400 R	400	2003 → 2004	FSS0318	FCD0363	FCD0363/1	FCS0363/2	FCS0363/3	
Z 400 B1 - B2	400	1978 → 1980	FSS0404	FCD0404	FCD0404/1			
Z 400 G1	400	1979 →	FSS0404	FCD0404	FCD0404/1			
Z 400 J1 LTD	400	1980 →	FSS0404	FCD0405	FCD0405/1	FCS0405/2	FCS0405/3	
Z 400 J2 - J3	400	1981 → 1983	FSS0404	FCD0405	FCD0405/1	FCS0405/2	FCS0405/3	
ZL 400	400	1994 → 1995		FCD0475				
ZL 400 ELIMINATOR	400	1986 → 1987	FSS0403	FCD0479	FCD0479/1	FCS0479/2	FCS0479/3	
ZL 400 ELIMINATOR	400	1988 →	FSS0403	FCD0479	FCD0479/1	FCS0479/2	FCS0479/3	
ZR 400	400	1983 → 1984	FSS0404	FCD0405	FCD0405/1	FCS0405/2	FCS0405/3	
ZR 400 XANTUS	400	1992 → 1995	FSS0403	FCD0414	FCD0414/1			
ZR 400 ZEPHYR	400	1997 → 2001	FSS0404	FCD0478	FCD0478/1	FCS0478/2	FCS0478/3	
ZRX 400	400	1994 → 2001		FCD0475				
ZX 400 C2	400	1985 →	FSS0404	FCD0405	FCD0405/1	FCS0405/2	FCS0405/3	
ZXR 400	400	1989 → 1990	FSS0403	FCD0414	FCD0414/1			
ZXR 400 (ZX 400L) RR	400	1992 → 2002	FSS0301	FCD0472	FCD0472/1	FCS0472/2	FCS0472/3	
ZXR 400 R	400	1991 → 1994	FSS0301	FCD0472	FCD0472/1	FCS0472/2	FCS0472/3	
ZZR 400	400	1990 → 1992	FSS0403	FCD0475				
ZZR 400	400	1993 → 1999	FSS0118	FCD0475				
KX 420 A1 - A2	420	1980 → 1981	FSS0301	FCD0412				
Z 440	440	1979 → 1983		FCD0404	FCD0404/1			
Z 440 LTD	440	1982 →		FCD0404	FCD0404/1			
Z 440 LTD	440	1983 → 1984		FCD0404	FCD0404/1			
EN 450 LTD (454)	450	1986 → 1989	FSS0404	FCD0405	FCD0405/1	FCS0405/2	FCS0405/3	
KLX 450 R	450	2008 → 2015		FCD0466	FCD0466/1	FCS0466/2	FCS0466/3	
KXF 450	450	2006 → 2014		FCD0466	FCD0466/1	FCS0466/2	FCS0466/3	
KXF 450	450	2015 →	FSS0114	FCD0466	FCD0466/1	FCS0466/2	FCS0466/3	
EN 500 all models	500	1990 → 2004	FSS0404	FCD0405	FCD0405/1	FCS0405/2	FCS0405/3	
ER-5 500 TWISTER	500	1997 → 2007	FSS0404	FCD0405	FCD0405/1	FCS0405/2	FCS0405/3	
EX 500	500	1994 → 1996	FSS0404	FCD0405	FCD0405/1	FCS0405/2	FCS0405/3	
EX 500 all models	500	1987 → 1993	FSS0404	FCD0405	FCD0405/1	FCS0405/2	FCS0405/3	
EX 500 NINJA	500	1994 → 1997	FSS0404	FCD0405	FCD0405/1	FCS0405/2	FCS0405/3	
GPZ 500 S	500	1988 → 2004	FSS0404	FCD0405	FCD0405/1	FCS0405/2	FCS0405/3	
H1 500	500	1973 → 1975	FSS0403	FCD0485	FCD0485/1			
H1 500 Mach 111	500	1969 → 1972	FSS0403	FCD0485	FCD0485/1			
H1 500 S Mach 111	500	1971 →	FSS0403	FCD0485	FCD0485/1			
KH 500	500	1976 →	FSS0403	FCD0485	FCD0485/1			
KLE 500	500	1991 → 2007		FCD0405	FCD0405/1	FCS0405/2	FCS0405/3	
KX 500	500	1983 → 1984	FSS0404	FCD0407				
KX 500	500	1985 → 1986		FCD0417	FCD0417/1	FCS0417/2	FCS0417/3	
KX 500	500	1987 → 2004	FSS0404	FCD0422	FCD0422/1	FCS0422/2	FCS0422/3	
Z 500	500	1979 → 1980	FSS0404	FCD0405	FCD0405/1	FCS0405/2	FCS0405/3	
GPZ 550	550	1981 → 1987	FSS0404	FCD0405	FCD0405/1	FCS0405/2	FCS0405/3	
GT 550	550	1983 → 2001	FSS0404	FCD0405	FCD0405/1	FCS0405/2	FCS0405/3	
Z 550 A3 - C1 - C2 LTD	550	1980 →	FSS0404	FCD0405	FCD0405/1	FCS0405/2	FCS0405/3	
ZR 550 A1	550	1983 → 1984	FSS0404	FCD0405	FCD0405/1	FCS0405/2	FCS0405/3	
ZR 550 ZEPHYR	550	1990 → 1999	FSS0404	FCD0478	FCD0478/1	FCS0478/2	FCS0478/3	
GPX 600 R	600	1988 → 1996	FSS0404	FCD0478	FCD0478/1	FCS0478/2	FCS0478/3	
GPZ 600 R	600	1985 → 1989	FSS0404	FCD0405	FCD0405/1	FCS0405/2	FCS0405/3	
KLR 600	600	1984 → 1986	FSS0404	FCD0405	FCD0405/1	FCS0405/2	FCS0405/3	
KLR 600 ELECTRIC STARTER	600	1985 → 1994	FSS0404	FCD0405	FCD0405/1	FCS0405/2	FCS0405/3	
ZL 600 ELIMINATOR	600	1995 → 1997	FSS0406	FCD0478	FCD0478/1	FCS0478/2	FCS0478/3	
ZX-6 RR 600 NINJA	600	2003 →	FSS0418	FCD0428	FCD0428/1	FCS0428/2	FCS0428/3	
ZX-6 RR 600 NINJA	600	2004 →	FSS0418	FCD0455	FCD0455/1	FCS0455/2	FCS0455/3	
ZX-6 RR 600 NINJA	600	2005 → 2006		FCD0458	FCD0458/1			
ZX-6R 600 NINJA	600	1994 → 2001	FSS0411	FCD0428	FCD0428/1	FCS0428/2	FCS0428/3	
ZX-6R 600 NINJA	600	2007 → 2012		FCD0457	FCD0457/1	FCS0457/2	FCS0457/3	
ZZR 600	600	1990 → 1992	FSS0404	FCD0479	FCD0479/1	FCS0479/2	FCS0479/3	
ZZR 600	600	1993 → 2005	FSS0118	FCD0479	FCD0479/1	FCS0479/2	FCS0479/3	
ZZR 600 (ZX E6F)	600	2006 → 2007	FSS0118	FCD0479	FCD0479/1	FCS0479/2	FCS0479/3	
ZX-6R 636 NINJA	636	2002 →	FSS0411	FCD0428	FCD0428/1	FCS0428/2	FCS0428/3	
ZX-6R 636 NINJA	636	2003 → 2004	FSS0411	FCD0428	FCD0428/1	FCS0428/2	FCS0428/3	
ZX-6R 636 NINJA	636	2005 → 2006		FCD0456	FCD0456/1	FCS0456/2	FCS0456/3	
ZX-6R 636 NINJA	636	2013 → 2015		FCD0487	FCD0487/1	FCS0487/2	FCS0487/3	
ER - 6F 650	650	2006 → 2012	FSS0404	FCD0479	FCD0479/1	FCS0479/2	FCS0479/3	
ER - 6F 650	650	2013 → 2015	FSS0404	FCD0479	FCD0479/1	FCS0479/2	FCS0479/3	
ER - 6F 650 ABS	650	2006 → 2012	FSS0404	FCD0479	FCD0479/1	FCS0479/2	FCS0479/3	
ER - 6F 650 ABS	650	2013 → 2015	FSS0404	FCD0479	FCD0479/1	FCS0479/2	FCS0479/3	
ER - 6N 650	650	2006 → 2012	FSS0404	FCD0479	FCD0479/1	FCS0479/2	FCS0479/3	
ER - 6N 650	650	2013 → 2015	FSS0404	FCD0479	FCD0479/1	FCS0479/2	FCS0479/3	
ER - 6N 650 ABS	650	2006 → 2012	FSS0404	FCD0479	FCD0479/1	FCS0479/2	FCS0479/3	
ER - 6N 650 ABS	650	2013 → 2015	FSS0404	FCD0479	FCD0479/1	FCS0479/2	FCS0479/3	
KL 650 TENGAI	650	1989 → 1992		FCD0405	FCD0405/1	FCS0405/2	FCS0405/3	
KLE 650 VERSYS	650	2007 → 2012	FSS0404	FCD0479	FCD0479/1	FCS0479/2	FCS0479/3	
KLE 650 VERSYS ABS	650	2007 → 2012	FSS0404	FCD0479	FCD0479/1	FCS0479/2	FCS0479/3	
KLR 650	650	1987 → 1994		FCD0405	FCD0405/1	FCS0405/2	FCS0405/3	
KLR 650	650	1995 → 2004		FCD0482	FCD0482/1	FCS0482/2	FCS0482/3	

KAWASAKI

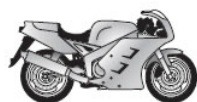
20020

FERODO
MOTORCYCLE CLUTCHES
Updated on 9th Oct 2015

FCDXXXX
FCDXXXX/1
FCSXXXX/2
FCSXXXX/3

STANDARD
HIGH PERFORMANCE
STANDARD
HIGH PERFORMANCE

FRICITION PLATES ONLY
FRICITION PLATES ONLY
FRICITION PLATES + STEEL PLATES
FRICITION PLATES + STEEL PLATES



HIGH PERFORMANCE



HIGH PERFORMANCE

...KAWASAKI

					STANDARD	HIGH PERFORMANCE	STANDARD	HIGH PERFORMANCE
KLR 650	650	2008 → 2009			FCD0482	FCD0482/1	FCS0482/2	FCS0482/3
KLX 650 R	650	1993 → 1997			FCD0405	FCD0405/1	FCS0405/2	FCS0405/3
W 650 (EJ 650)	650	1999 → 2006	FSS0404		FCD0480	FCD0480/1	FCS0480/2	FCS0480/3
Z 650	650	1977 → 1979	FSS0403		FCD0402	FCD0402/1		
Z 650	650	1981 → 1983	FSS0404		FCD0402	FCD0402/1		
Z 650 C CUSTOM	650	1977 → 1980	FSS0404		FCD0402	FCD0402/1		
Z 650 F1	650	1980 →	FSS0404		FCD0402	FCD0402/1		
VN 700 VULCAN	700	1985 → 1994	FSS0403		FCD0480	FCD0480/1	FCS0480/2	FCS0480/3
Z 700 A1 LTD	700	1984 →	FSS0403		FCD0402	FCD0402/1		
ZN 700 A1/A2 LTD	700	1984 → 1985	FSS0403		FCD0402	FCD0402/1		
GPX 750	750	1987 → 1989	FSS0403		FCD0480	FCD0480/1	FCS0480/2	FCS0480/3
GPZ 750	750	1983 → 1987	FSS0404		FCD0402	FCD0402/1		
GPZ 750 R	750	1982 →	FSS0404		FCD0402	FCD0402/1		
GT 750	750	1982 → 1990	FSS0403		FCD0402	FCD0402/1		
GT 750	750	1992 → 1996	FSS0406		FCD0427	FCD0427/1		
VN 750 TWIN	750	1988 →	FSS0403		FCD0480	FCD0480/1	FCS0480/2	FCS0480/3
VN 750 VULCAN	750	1986 → 1994	FSS0403		FCD0480	FCD0480/1	FCS0480/2	FCS0480/3
Z 750	750	1976 →	FSS0403		FCD0480	FCD0480/1	FCS0480/2	FCS0480/3
Z 750	750	1977 → 1978	FSS0404		FCD0480	FCD0480/1	FCS0480/2	FCS0480/3
Z 750	750	1980 → 1984	FSS0403		FCD0402	FCD0402/1		
Z 750	750	2007 → 2011	FSS0411		FCD0428	FCD0428/1	FCS0428/2	FCS0428/3
Z 750 ABS	750	2007 → 2009	FSS0411		FCD0428	FCD0428/1	FCS0428/2	FCS0428/3
Z 750 J (ZR)	750	2004 → 2006	FSS0411		FCD0428	FCD0428/1	FCS0428/2	FCS0428/3
Z 750 R	750	2011 → 2012	FSS0411		FCD0428	FCD0428/1	FCS0428/2	FCS0428/3
Z 750 R ABS	750	2011 → 2012	FSS0411		FCD0428	FCD0428/1	FCS0428/2	FCS0428/3
Z 750 S (ZR)	750	2005 → 2007	FSS0411		FCD0428	FCD0428/1	FCS0428/2	FCS0428/3
Z 750 SPECTRE	750	1982 → 1983	FSS0403		FCD0402	FCD0402/1		
Z 750 Y1 LTD	750	1982 →	FSS0403		FCD0480	FCD0480/1	FCS0480/2	FCS0480/3
ZR 750 ZEPHYR	750	1991 → 1995	FSS0404		FCD0427	FCD0427/1		
ZR 750 ZEPHYR	750	1996 → 1998	FSS0409		FCD0427	FCD0427/1		
ZR-7 750	750	1999 → 2004	FSS0409		FCD0427	FCD0427/1		
ZR-7S 750	750	2001 → 2004	FSS0409		FCD0427	FCD0427/1		
ZX 750 TURBO	750	1984 → 1987	FSS0404		FCD0446	FCD0446/1		
ZX-7R 750 NINJA	750	1996 → 2003	FSS0416		FCD0483	FCD0483/1	FCS0483/2	FCS0483/3
ZX-7RR 750 NINJA	750	1996 → 1999	FSS0409		FCD0484	FCD0484/1	FCS0484/2	FCS0484/3
ZX-7RR 750 NINJA	750	2000 → 2002	FSS0416		FCD0483	FCD0483/1	FCS0483/2	FCS0483/3
ZXR 750	750	1989 → 1990	FSS0406		FCD0475			
ZXR 750 R	750	1991 → 1995	FSS0416		FCD0483	FCD0483/1	FCS0483/2	FCS0483/3
VN 800	800	1995 → 1999	FSS0404		FCD0480	FCD0480/1	FCS0480/2	FCS0480/3
VN 800 CLASSIC	800	1996 → 2006	FSS0404		FCD0480	FCD0480/1	FCS0480/2	FCS0480/3
VN 800 DRIFTER	800	1999 → 2004	FSS0403		FCD0480	FCD0480/1	FCS0480/2	FCS0480/3
W 800 ABF (EJ 800)	800	2011 → 2012	FSS0404		FCD0480	FCD0480/1	FCS0480/2	FCS0480/3
GPZ 900 R	900	1984 → 1996	FSS0404		FCD0480	FCD0480/1	FCS0480/2	FCS0480/3
GPZ 900 R (ZX)	900	1998 →	FSS0404		FCD0480	FCD0480/1	FCS0480/2	FCS0480/3
GPZ 900 R (ZX)	900	1999 → 2002	FSS0404		FCD0480	FCD0480/1	FCS0480/2	FCS0480/3
VN 900 CLASSIC	900	2006 → 2012	FSS0404		FCD0480	FCD0480/1	FCS0480/2	FCS0480/3
VN 900 CUSTOM	900	2007 → 2012	FSS0404		FCD0480	FCD0480/1	FCS0480/2	FCS0480/3
Z 900 A 4	900	1977 →	FSS0404		FCD0116	FCD0116/1		
Z 900 Z1A - Z1B	900	1974 → 1976	FSS0404		FCD0116	FCD0116/1		
ZL 900 ELIMINATOR	900	1985 → 1986	FSS0406		FCD0408	FCD0408/1	FCS0408/2	FCS0408/3
ZX-9 900 R NINJA	900	1994 → 1997	FSS0409		FCD0484	FCD0484/1	FCS0484/2	FCS0484/3
ZX-9 900 R NINJA	900	1998 → 2004	FSS0414		FCD0467	FCD0467/1	FCS0467/2	FCS0467/3
GPZ 1000 R	1000	1986 → 1987	FSS0406		FCD0408	FCD0408/1	FCS0408/2	FCS0408/3
GTR 1000	1000	1986 → 2006	FSS0406		FCD0408	FCD0408/1	FCS0408/2	FCS0408/3
KLV 1000	1000	2004 → 2005	FSS0118		FCD0385	FCD0385/1	FCS0385/2	FCS0385/3
Z 1000	1000	2007 → 2009	FSS0411		FCD0430	FCD0430/1		
Z 1000	1000	2010 → 2013			FCD0430	FCD0430/1		
Z 1000	1000	2014 →			FCD0430	FCD0430/1		
Z 1000 (ZR)	1000	2003 → 2006	FSS0414		FCD0467	FCD0467/1	FCS0467/2	FCS0467/3
Z 1000 A1/A2/A3/A4	1000	1977 → 1980	FSS0404		FCD0116	FCD0116/1		
Z 1000 ABS	1000	2007 → 2009	FSS0411		FCD0430	FCD0430/1		
Z 1000 ABS	1000	2010 → 2013			FCD0430	FCD0430/1		
Z 1000 ABS	1000	2014 →			FCD0430	FCD0430/1		
Z 1000 D1-D3 Z1R	1000	1978 → 1980	FSS0403		FCD0116	FCD0116/1		
Z 1000 H1	1000	1980 →	FSS0404		FCD0116	FCD0116/1		
Z 1000 J1/J2/J3	1000	1981 → 1983	FSS0404		FCD0408	FCD0408/1	FCS0408/2	FCS0408/3
Z 1000 LTD	1000	1981 → 1983	FSS0404		FCD0408	FCD0408/1	FCS0408/2	FCS0408/3
Z 1000 SHAFT - ST	1000	1979 → 1980	FSS0406		FCD0408	FCD0408/1	FCS0408/2	FCS0408/3
Z 1000 SX	1000	2011 → 2015			FCD0430	FCD0430/1		
Z 1000 SX ABS	1000	2011 → 2015			FCD0430	FCD0430/1		
ZL 1000 all models	1000	1987 →	FSS0406		FCD0408	FCD0408/1	FCS0408/2	FCS0408/3
ZX-10 1000	1000	1988 → 1990	FSS0406		FCD0408	FCD0408/1	FCS0408/2	FCS0408/3
ZX-10R 1000 NINJA	1000	2004 → 2015			FCD0468	FCD0468/1	FCS0468/2	FCS0468/3
ZX-10R 1000 NINJA ABS	1000	2011 → 2015			FCD0468	FCD0468/1	FCS0468/2	FCS0468/3
GPZ 1100 (ZX 1100)	1100	1981 → 1982	FSS0404		FCD0408	FCD0408/1	FCS0408/2	FCS0408/3
GPZ 1100 (ZX 1100)	1100	1983 → 1985	FSS0406		FCD0408	FCD0408/1	FCS0408/2	FCS0408/3

FCDXXXX
FCDXXXX/1
FCSXXXX/2
FCSXXXX/3

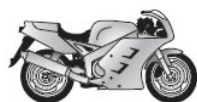
STANDARD
HIGH PERFORMANCE
STANDARD
HIGH PERFORMANCE

FRICTION PLATES ONLY
FRICTION PLATES ONLY
FRICTION PLATES + STEEL PLATES
FRICTION PLATES + STEEL PLATES

FERODO

MOTORCYCLE CLUTCHES
Updated on 9th Oct 2015

2021



HIGH PERFORMANCE



HIGH PERFORMANCE

...KAWASAKI

					STANDARD	HIGH PERFORMANCE	STANDARD	HIGH PERFORMANCE
Z 1100	1100	1981 → 1983	FSS0406	FCD0408	FCD0408	FCD0408/1	FCS0408/2	FCS0408/3
Z 1100 R1	1100	1984 →	FSS0406	FCD0408	FCD0408	FCD0408/1	FCS0408/2	FCS0408/3
Z 1100 SPECTRE - LTD	1100	1982 → 1983	FSS0406	FCD0408	FCD0408	FCD0408/1	FCS0408/2	FCS0408/3
ZR 1100 ZEPHYR	1100	1996 → 1997	FSS0406	FCD0408	FCD0408	FCD0408/1	FCS0408/2	FCS0408/3
ZR 1100 ZEPHYR (ZR 1100 A)	1100	1992 → 1995	FSS0406	FCD0408	FCD0408	FCD0408/1	FCS0408/2	FCS0408/3
ZR 1100 ZEPHYR RS	1100	2002 →	FSS0406	FCD0474	FCD0474	FCD0474/1		
ZRX 1100	1100	1996 → 2000	FSS0406	FCD0408	FCD0408	FCD0408/1	FCS0408/2	FCS0408/3
ZRX 1100 C1	1100	1997 → 2000	FSS0406	FCD0474	FCD0474	FCD0474/1		
ZZR 1100 GT (ZX 1100)	1100	1990 → 2001	FSS0114	FCD0426	FCD0426	FCD0426/1		
ZRX 1200 R - S	1200	2001 → 2008	FSS0409	FCD0474	FCD0474	FCD0474/1		
ZX-12R 1200 NINJA	1200	2000 → 2001	FSS0522	FCD0431	FCD0431	FCD0431/1		
ZX-12R 1200 NINJA	1200	2001 → 2006	FSS0522	FCD0450	FCD0450	FCD0450/1		
ZZR 1200	1200	2002 → 2004	FSS0114	FCD0426	FCD0426	FCD0426/1		
Z 1300	1300	1979 → 1981	FSS0404	FCD0434				
Z 1300	1300	1982 → 1983	FSS0404	FCD0435				
ZG 1300 DF1	1300	1984 → 1986	FSS0403	FCD0416				
GTR 1400	1400	2008 → 2012	FSS0406	FCD0463	FCD0463	FCD0463/1		
ZZR 1400	1400	2006 → 2012		FCD0461	FCD0461	FCD0461/1		
ZZR 1400 ABS	1400	2006 → 2012		FCD0461	FCD0461	FCD0461/1		
VN 1500 B2-B6	1500	1988 → 1992		FCD0416				
VN 1500 B2/C1/C2/D1	1500	1988 → 1996		FCD0416				
VN 1500 C1/C2	1500	1994 → 1995		FCD0416				
VN 1500 CLASSIC TOURER	1500	1998 → 1999		FCD0416				
VN 1500 CLASSIC TOURER F1	1500	2000 → 2004		FCD0416				
VN 1500 D1/D2 CLASSIC	1500	1996 → 1998		FCD0416				
VN 1500 DRIFTER	1500	1999 → 2004		FCD0416				
VN 1500 G1/G2	1500	1998 → 1999		FCD0416				
VN 1500 MEAN STREAK	1500	2002 → 2004		FCD0416				
VN 1500 NOMAD	1500	2000 → 2003		FCD0416				
VN 1600 CLASSIC	1600	2003 → 2008		FCD0416				
VN 1600 CLASSIC TOURER	1600	2005 → 2008		FCD0416				
VN 1600 MEAN STREAK	1600	2004 →		FCD0416				
VN 1600 MEAN STREAK	1600	2005 → 2008		FCD0416				
VN 1700 CLASSIC	1700	2009 →		FCD0459				
VN 1700 CLASSIC TOURER	1700	2009 → 2012		FCD0459				
VN 1700 VOYAGER	1700	2009 → 2011		FCD0459				
VN 2000	2000	2004 → 2007	FSS0411	FCD0459				
VN 2000 CLASSIC	2000	2008 → 2009	FSS0411	FCD0459				

KAWASAKI ATV

KLF 110 MOJAVE	110	1987 → 1988		FCD0418				
KLF 185	185	1987 →	FSS0402	FCD0101	FCD0101/1	FCS0101/2	FCS0101/3	
KLF 220	220	1988 → 2002		FCD1117	FCD1117/1	FCS1117/2	FCS1117/3	
KLT 250 all models	250	1983 → 1985		FCD0485	FCD0485/1			
KSF 250	250	1994 → 2004		FCD0406	FCD0406/1	FCS0406/2	FCS0406/3	
KEF 300 LAKOTA SPORT	300	2001 → 2002		FCD0403				
KLF 300 BAYOU	300	1986 → 1987		FCD0403				
KLF 300 BAYOU (B1/B17)	300	1988 → 2004		FCD0403				
KLF 300 BAYOU (C1/C12)	300	1989 → 2005		FCD0403				
KLF 400 BAYOU 4x4	400	1993 → 1998		FCD0412				
KSF 400 (KFX 400)	400	2003 → 2004	FSS0318	FCD0363	FCD0363/1	FCS0363/2	FCS0363/3	
KSF 400 (KFX 400)	400	2005 → 2006	FSS0318	FCD0387	FCD0387/1	FCS0387/2	FCS0387/3	
KFX 450 R	450	2008 → 2012		FCD0462		FCS0462/2		

KTM

GXE/GXR 50 ENDURO-BORA 25	50	1986 →		FCD0661		FCS0661/2		
MX 50	50	1987 →		FCD0661		FCS0661/2		
RSV 50	50	1986 →		FCD0661		FCS0661/2		
SX 50 ADVENTURE	50	1998 →		FCD0661		FCS0661/2		
SX 50 JUNIOR LC	50	2002 → 2004		FCD0664				
SX 50 PRO JUNIOR LC	50	2002 →		FCD0664				
SX 50 PRO SENJOR LC	50	2002 → 2003		FCD0664				
SX 60	60	1998 → 2000		FCD0661		FCS0661/2		
SX 65	65	1998 → 2008		FCD0661		FCS0661/2		
SX 65	65	2009 →		FCD0728	FCD0728/1	FCS0728/2	FCS0728/3	
SX 65	65	2010 → 2014		FCD0728	FCD0728/1	FCS0728/2	FCS0728/3	
SXS 65	65	2012 → 2013		FCD0728	FCD0728/1	FCS0728/2	FCS0728/3	
XC 65	65	2008 → 2009		FCD0728	FCD0728/1	FCS0728/2	FCS0728/3	
L-PL-RL-RS-RSL-BORA 80	80	→		FCD0664				
MX 80	80	1989 → 1990		FCD0664				
MX 80 GR - SUPER MINI	80	1986 → 1988		FCD0664				
SX 85	85	2003 → 2011		FCD0705		FCS0705/2		
SX 85	85	2012 →		FCD0705		FCS0705/2		
XC 85	85	2007 → 2009		FCD0705		FCS0705/2		



KIT RANGE



STANDARD

HIGH PERFORMANCE



STANDARD

HIGH PERFORMANCE

...KTM

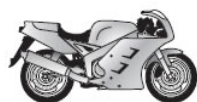
SX 105	105	2003 → 2010			FCD0705			FCS0705/2	
SX 105	105	2011 →			FCD0705			FCS0705/2	
XC 105	105	2008 → 2010			FCD0705			FCS0705/2	
DUKE 125	125	2011 →			FCD0465	FCD0465/1		FCS0465/2	FCS0465/3
EXC 125	125	1987 → 1993			FCD0519			FCS0519/2	
EXC 125	125	1998 → 2015				FCD0501/1			FCS0501/3
EXC 125 (pinze Brembo)	125	1989 →			FCD0519			FCS0519/2	
EXC 125 (pinze Grimeca)	125	1989 →			FCD0519			FCS0519/2	
EXC 125 SIX DAYS	125	2004 → 2014				FCD0501/1			FCS0501/3
EXC/EGS 125	125	1994 → 1997			FCD0519			FCS0519/2	
EXE 125	125	2000 → 2011				FCD0501/1			FCS0501/3
GS 125	125	1974 → 1982			FCD0584			FCS0584/2	
GS 125	125	1984 → 1987			FCD0519			FCS0519/2	
GS 125 LC	125	1983 →			FCD0584			FCS0584/2	
LC2 125	125	1998 →			FCD0519			FCS0519/2	
MX 125	125	1974 → 1982			FCD0584			FCS0584/2	
MX 125	125	1983 →			FCD0584			FCS0584/2	
MX 125	125	1984 → 1987			FCD0519			FCS0519/2	
MX 125	125	1988 →			FCD0519			FCS0519/2	
MX 125 (pinze Brembo)	125	1989 → 1993			FCD0519			FCS0519/2	
MX 125 (pinze Grimeca)	125	1989 → 1993			FCD0519			FCS0519/2	
MX/MXC 125	125	1986 →			FCD0519			FCS0519/2	
SUPERMOTO 125	125	2000 → 2001				FCD0501/1			FCS0501/3
SX 125	125	1998 → 2015				FCD0501/1			FCS0501/3
SXS 125	125	2001 → 2010				FCD0501/1			FCS0501/3
SX 144	144	2007 → 2010				FCD0501/1			FCS0501/3
SX 150	150	2008 → 2015				FCD0501/1			FCS0501/3
XC 150	150	2011 → 2015				FCD0501/1			FCS0501/3
DUKE 200	200	2012 →			FCD0696	FCD0696/1	FCS0696/2		FCS0696/3
EGS 200	200	1998 → 1999				FCD0501/1			FCS0501/3
EXC 200	200	1997 → 2015				FCD0501/1			FCS0501/3
MXC 200	200	1998 → 2003				FCD0501/1			FCS0501/3
SX 200	200	2003 → 2007				FCD0501/1			FCS0501/3
XC-W 200	200	2011 → 2015				FCD0501/1			FCS0501/3
BAJA 250	250	1986 →			FCD0584		FCS0584/2		
EGS 250	250	1994 → 1999				FCD0502/1			FCS0502/3
ENDURO 250	250	1989 →			FCD0584		FCS0584/2		
EXC 250	250	1990 → 2013				FCD0502/1			FCS0502/3
EXC 250 SIX DAYS (2T)	250	2004 → 2013				FCD0502/1			FCS0502/3
EXC RACING 250 (4T)	250	2000 → 2001				FCD0504/1			FCS0504/3
EXC RACING 250 (4T)	250	2002 → 2003				FCD0503/1			FCS0503/3
EXC RACING 250 (4T)	250	2004 → 2006				FCD0673/1			FCS0673/3
EXC-F 250	250	2007 → 2013			FCD0151	FCD0151/1	FCS0151/2		FCS0151/3
EXC-F 250	250	2014 →				FCD0731/1			FCS0731/3
EXC-F 250 SIX DAYS	250	2007 → 2013			FCD0151	FCD0151/1	FCS0151/2		FCS0151/3
GS 250	250	1983 →			FCD0584		FCS0584/2		
GS 250	250	1984 →			FCD0606		FCS0606/2		
GS 250	250	1985 →			FCD0584		FCS0584/2		
GS 250	250	1986 →			FCD0584		FCS0584/2		
GS 250	250	1987 →			FCD0584		FCS0584/2		
MC 250	250	1974 → 1983			FCD0584		FCS0584/2		
MC 250	250	1985 → 1990			FCD0528		FCS0528/2		
MX 250	250	1974 → 1983			FCD0584		FCS0584/2		
MX 250	250	1984 →			FCD0606		FCS0606/2		
MX 250	250	1985 → 1991			FCD0584		FCS0584/2		
MX 250	250	1992 → 2013				FCD0502/1			FCS0502/3
SX 250	250	1994 → 2012				FCD0502/1			FCS0502/3
SX 250	250	2013 → 2015				FCD0731/1			FCS0731/3
SX-F 250	250	2005 → 2013			FCD0151	FCD0151/1	FCS0151/2		FCS0151/3
SXS 250	250	2001 → 2003				FCD0502/1			FCS0502/3
XC 250 (2T)	250	1994 → 2012				FCD0502/1			FCS0502/3
XC 250 (2T)	250	2013 → 2015				FCD0731/1			FCS0731/3
XC-F 250	250	2011 → 2013			FCD0151	FCD0151/1	FCS0151/2		FCS0151/3
XC-W 250 (2T)	250	2011 → 2012				FCD0502/1			FCS0502/3
XCF-W 250	250	2012 → 2013			FCD0151	FCD0151/1	FCS0151/2		FCS0151/3
XCF-W 250	250	2014 →				FCD0731/1			FCS0731/3
EXC 300	300	1994 → 2013				FCD0502/1			FCS0502/3
EXC 300 EGS	300	1994 → 1999				FCD0502/1			FCS0502/3
EXC 300 SIX DAYS (2T)	300	2006 → 2013				FCD0502/1			FCS0502/3
XC 300 (2T)	300	2011 → 2012				FCD0502/1			FCS0502/3
MC 340	340	1974 → 1983			FCD0584		FCS0584/2		
COUNTRY 350	350	1985 →			FCD0634		FCS0634/2		
EXC-F 350	350	2012 → 2014				FCD0731/1			FCS0731/3
EXC-F 350 SIX DAYS	350	2012 → 2013				FCD0731/1			FCS0731/3
GS 350	350	1983 →			FCD0634		FCS0634/2		
SX-F 350	350	2011 → 2012				FCD0731/1			FCS0731/3

FCDXXXX STANDARD FRICTION PLATES ONLY
FCDXXXX/1 HIGH PERFORMANCE FRICTION PLATES ONLY
FCSXXXX/2 STANDARD FRICTION PLATES + STEEL PLATES
FCSXXXX/3 HIGH PERFORMANCE FRICTION PLATES + STEEL PLATES

FERODO
MOTORCYCLE CLUTCHES
Updated on 9th Oct 2015

2023

KTM



KIT RANGE

STANDARD
HIGH PERFORMANCESTANDARD
HIGH PERFORMANCE

...KTM

XC-F 350	350	2011	→ 2012			FCD0731/1		FCS0731/3
XCF-W 350	350	2011	→ 2013			FCD0731/1		FCS0731/3
EGS 360	360	1996	→ 1997			FCD0502/1		FCS0502/3
EXC 360	360	1996	→ 1997			FCD0502/1		FCS0502/3
MXC 360	360	1996	→ 1997			FCD0502/1		FCS0502/3
SIX DAYS 360	360	1996	→			FCD0502/1		FCS0502/3
SX 360	360	1996	→ 1997			FCD0502/1		FCS0502/3
EXC 380	380	1998	→ 2002			FCD0502/1		FCS0502/3
MXC 380	380	1998	→ 2002			FCD0502/1		FCS0502/3
SX 380	380	1998	→ 2002			FCD0502/1		FCS0502/3
GS 390	390	1980	→	FCD0634			FCS0634/2	
MC 390	390	1980	→	FCD0634			FCS0634/2	
EXC 400	400	2000	→ 2001			FCD0504/1		FCS0504/3
EXC 400	400	2002	→ 2003			FCD0503/1		FCS0503/3
EXC 400	400	2004	→			FCD0673/1		FCS0673/3
EXC RACING 400	400	2000	→ 2001			FCD0504/1		FCS0504/3
EXC RACING 400	400	2002	→ 2003			FCD0503/1		FCS0503/3
EXC RACING 400	400	2004	→ 2005			FCD0673/1		FCS0673/3
EXC RACING 400	400	2006	→ 2007			FCD0713/1		FCS0713/3
EXC-G RACING 400	400	2004	→			FCD0673/1		FCS0673/3
EXC-G RACING 400	400	2006	→ 2007			FCD0713/1		FCS0713/3
EXC-G RACING 400	400	2008	→			FCD0751/1		FCS0751/3
LC4 400 E	400	1998	→ 2001			FCD0654/1		FCS0654/3
LC4 400 EGS	400	1995	→ 1997			FCD0505/1		FCS0505/3
LC4 400 EXC - RXC	400	1996	→ 1997			FCD0505/1		FCS0505/3
MXC 400	400	2000	→ 2001			FCD0504/1		FCS0504/3
MXC 400	400	2002	→			FCD0503/1		FCS0503/3
SX 400	400	2000	→ 2001			FCD0504/1		FCS0504/3
SX 400	400	2002	→			FCD0503/1		FCS0503/3
SX RACING 400	400	2002	→			FCD0503/1		FCS0503/3
GS 420	420	1984	→	FCD0634			FCS0634/2	
EXC RACING 450	450	2003	→			FCD0503/1		FCS0503/3
EXC RACING 450	450	2004	→ 2005			FCD0673/1		FCS0673/3
EXC RACING 450	450	2006	→ 2007			FCD0713/1		FCS0713/3
EXC-R 450	450	2008	→			FCD0751/1		FCS0751/3
EXC-R 450	450	2009	→ 2010			FCD0730/1		FCS0730/3
EXC-R 450	450	2011	→			FCD0750/1		FCS0750/3
EXC-R RACING 450 (USA)	450	2011	→			FCD0730/1		FCS0730/3
MXC 450	450	2004	→ 2005			FCD0673/1		FCS0673/3
MXC 450	450	2006	→			FCD0503/1		FCS0503/3
SMR 450	450	2007	→ 2007			FCD0713/1		FCS0713/3
SMR 450	450	2008	→ 2012			FCD0707/1		FCS0707/3
SMR 450 (FTE caliper)	450	2004	→ 2006			FCD0673/1		FCS0673/3
SX 450	450	2003	→			FCD0503/1		FCS0503/3
SX 450	450	2004	→ 2005			FCD0673/1		FCS0673/3
SX 450	450	2006	→			FCD0713/1		FCS0713/3
SX QUAD 450	450	2009	→ 2011			FCD0709/1		FCS0709/3
SX SM 450 FACTORY REPLICA	450	2004	→			FCD0673/1		FCS0673/3
SX-F 450	450	2007	→ 2011			FCD0709/1		FCS0709/3
SX-F 450	450	2012	→ 2015			FCD0731/1		FCS0731/3
SX-F 450 FACTORY REPLICA	450	2012	→			FCD0731/1		FCS0731/3
XC 450	450	2006	→ 2007			FCD0713/1		FCS0713/3
XC-W 450	450	2008	→			FCD0751/1		FCS0751/3
XC-W 450	450	2009	→ 2010			FCD0730/1		FCS0730/3
XC-W 450	450	2011	→			FCD0750/1		FCS0750/3
XC-W 450 SIX DAYS (USA)	450	2011	→			FCD0730/1		FCS0730/3
GS 495	495	1980	→	FCD0634			FCS0634/2	
MX 495	495	1982	→ 1983	FCD0634			FCS0634/2	
EXC 500	500	2012	→ 2013			FCD0731/1		FCS0731/3
XC-W 500	500	2012	→ 2013			FCD0731/1		FCS0731/3
SX-F 505	505	2007	→ 2009			FCD0709/1		FCS0709/3
SX-F 505 QUAD	505	2009	→ 2011			FCD0709/1		FCS0709/3
XC-F 505	505	2007	→ 2009			FCD0709/1		FCS0709/3
EXC RACING 520	520	2000	→ 2001			FCD0504/1		FCS0504/3
EXC RACING 520	520	2002	→			FCD0503/1		FCS0503/3
MXC 520	520	2000	→ 2001			FCD0504/1		FCS0504/3
MXC 520	520	2002	→			FCD0503/1		FCS0503/3
SX 520	520	2000	→ 2001			FCD0504/1		FCS0504/3
SX 520	520	2002	→			FCD0503/1		FCS0503/3
EXC RACING 525	525	2003	→			FCD0503/1		FCS0503/3
EXC RACING 525	525	2004	→ 2007			FCD0673/1		FCS0673/3
MXC 525	525	2003	→			FCD0503/1		FCS0503/3
MXC 525	525	2004	→ 2005			FCD0673/1		FCS0673/3
SX 525	525	2003	→			FCD0503/1		FCS0503/3
SX 525	525	2004	→ 2005			FCD0673/1		FCS0673/3
SX 525	525	2006	→ 2007			FCD0713/1		FCS0713/3

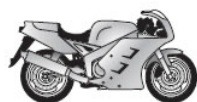
20024

FERODO
MOTORCYCLE CLUTCHES
Updated on 9th Oct 2015

FCDXXXX
FCDXXXX/1
FCSXXXX/2
FCSXXXX/3

STANDARD
HIGH PERFORMANCE
STANDARD
HIGH PERFORMANCE

FRICITION PLATES ONLY
FRICITION PLATES ONLY
FRICITION PLATES + STEEL PLATES
FRICITION PLATES + STEEL PLATES



KIT RANGE



STANDARD HIGH PERFORMANCE



STANDARD HIGH PERFORMANCE

...KTM

Model	Year	Year	Year	Kit	Kit	Kit	Kit
SX 525 SMR (FTE Caliper)	525	2004	→		FCD0673/1		FCS0673/3
XC 525	525	2006	→ 2007		FCD0713/1		FCS0713/3
EXC-R 530	530	2008	→		FCD0708/1		FCS0708/3
EXC-R 530	530	2009	→ 2010		FCD0730/1		FCS0730/3
EXC-R 530	530	2011	→		FCD0750/1		FCS0750/3
EXC-R RACING 530 (USA)	530	2011	→		FCD0730/1		FCS0730/3
XC-W 530	530	2008	→		FCD0708/1		FCS0708/3
XC-W 530	530	2009	→ 2010		FCD0730/1		FCS0730/3
XC-W 530	530	2011	→		FCD0750/1		FCS0750/3
XC-W 530 SIX DAYS (USA)	530	2011	→		FCD0730/1		FCS0730/3
LC4 540 SXC	540	1998	→ 2000		FCD0505/1		FCS0505/3
SMR 560	560	2006	→ 2007		FCD0713/1		FCS0713/3
LC4 620 ADVENTURE	620	1997	→ 1998		FCD0505/1		FCS0505/3
LC4 620 DUKE	620	1994	→ 1997		FCD0505/1		FCS0505/3
LC4 620 EGS - EXC	620	1996	→ 1997		FCD0505/1		FCS0505/3
LC4 620 RXC	620	1996	→ 1997		FCD0505/1		FCS0505/3
LC4 620 SC	620	1998	→ 2004		FCD0654/1		FCS0654/3
LC4 620 SMC	620	2004	→ 2006		FCD0654/1		FCS0654/3
LC4 620 SX	620	1995	→ 1999		FCD0505/1		FCS0505/3
LC4 625 SXC	625	2003	→ 2007		FCD0654/1		FCS0654/3
LC4 640 ADVENTURE	640	1998	→ 2003		FCD0654/1		FCS0654/3
LC4 640 ADVENTURE	640	2004	→ 2007		FCD0654/1		FCS0654/3
LC4 640 DUKE	640	1998	→		FCD0654/1		FCS0654/3
LC4 640 DUKE II	640	1999	→ 2006		FCD0654/1		FCS0654/3
LC4 E 640 HARD ENDURO	640	1998	→ 2006		FCD0654/1		FCS0654/3
LC4-E 640 SUPERMOTO	640	1999	→ 2006		FCD0654/1		FCS0654/3
LC4 660 SM FACTORY REPLICA	660	2002	→ 2003		FCD0654/1		FCS0654/3
LC4-E 660 RALLYE	660	2001	→		FCD0712/1		FCS0712/3
SMC 660 SUPERMOTO	660	2003	→		FCD0654/1		FCS0654/3
SMC 660 SUPERMOTO	660	2004	→ 2006		FCD0654/1		FCS0654/3
LC4 690 DUKE	690	2008	→ 2011		FCD0710/1		FCS0710/3
LC4 690 DUKE R	690	2010	→ 2011		FCD0710/1		FCS0710/3
LC4 690 ENDURO	690	2008	→ 2011		FCD0710/1		FCS0710/3
LC4 690 ENDURO R	690	2009	→ 2012		FCD0710/1		FCS0710/3
LC4 690 RALLY REPLICA	690	2007	→ 2010		FCD0712/1		FCS0712/3
LC4 690 SM	690	2007	→ 2009		FCD0710/1		FCS0710/3
LC4 690 SM PRESTIGE	690	2007	→		FCD0710/1		FCS0710/3
LC4 690 SMC	690	2008	→ 2011		FCD0710/1		FCS0710/3
LC4 690 SMC R	690	2012	→		FCD0710/1		FCS0710/3
LC4 690 SMR	690	2008	→		FCD0710/1		FCS0710/3
LC8 950 ADVENTURE	950	2003	→ 2005		FCD0711/1		FCS0711/3
LC8 950 ADVENTURE S	950	2003	→ 2005		FCD0711/1		FCS0711/3
LC8 950 SM	950	2005	→ 2008		FCD0711/1		FCS0711/3
LC8 950 SMR	950	2007	→		FCD0711/1		FCS0711/3
LC8 950 SUPERENDURO	950	2006	→ 2008		FCD0711/1		FCS0711/3
LC8 950 SUPERENDURO R	950	2006	→ 2008		FCD0711/1		FCS0711/3
LC8 990 ADVENTURE	990	2006	→ 2012		FCD0711/1		FCS0711/3
LC8 990 ADVENTURE DAKAR	990	2009	→ 2012		FCD0711/1		FCS0711/3
LC8 990 ADVENTURE R	990	2009	→ 2012		FCD0711/1		FCS0711/3
LC8 990 ADVENTURE S	990	2006	→ 2008		FCD0711/1		FCS0711/3
LC8 990 SUPERDUKE	990	2005	→ 2012		FCD0711/1		FCS0711/3
LC8 990 SUPERDUKE R	990	2007	→ 2012		FCD0711/1		FCS0711/3
LC8 990 SUPERMOTO	990	2008	→ 2009		FCD0711/1		FCS0711/3
LC8 990 SUPERMOTO T	990	2009	→ 2012		FCD0711/1		FCS0711/3
RC8 1190	1190	2008	→ 2010		FCD0729/1		FCS0729/3
RC8 1190 R	1190	2009	→ 2012		FCD0729/1		FCS0729/3
RC8 1190 R TRACK	1190	2011	→		FCD0729/1		FCS0729/3

LEM

BIG 50 SAFARI	50	→	FSS0520	FCD0548		FCS0548/2	
CINNO 50 CROSS MX 3L	50	→	FSS0520	FCD0548		FCS0548/2	
CINNO 50 TRIAL	50	→	FSS0520	FCD0548		FCS0548/2	
FORMULA 50	50	→	FSS0520	FCD0548		FCS0548/2	
FORMULA 50 T4 ACQUA	50	→	FSS0520	FCD0548		FCS0548/2	

MALAGUTI

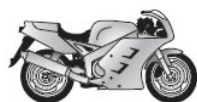
DRIBBLING 50 all models	50	1987	→	FSS0520	FCD0548		FCS0548/2	
DUNE 50 ENDURO	50	1987	→		FCD0523	FCD0523/1	FCS0523/2	FCS0523/3
ES 50 DUNE	50	1989	→		FCD0523	FCD0523/1	FCS0523/2	FCS0523/3
FIFTY 50 4 MARCE	50	1987	→		FCD0615	FCD0615/1	FCS0615/2	FCS0615/3
FIFTY 50 FULL all models	50	1983	→		FCD0615	FCD0615/1	FCS0615/2	FCS0615/3
FIFTY 50 HF	50	→	1982		FCD0615	FCD0615/1	FCS0615/2	FCS0615/3
FIFTY 50 HF	50	1987	→		FCD0615	FCD0615/1	FCS0615/2	FCS0615/3
FIFTY 50 NL	50	1987	→		FCD0615	FCD0615/1	FCS0615/2	FCS0615/3

FCDXXXX STANDARD FRICTION PLATES ONLY
 FCDXXXX/1 HIGH PERFORMANCE FRICTION PLATES ONLY
 FCSXXXX/2 STANDARD FRICTION PLATES + STEEL PLATES
 FCSXXXX/3 HIGH PERFORMANCE FRICTION PLATES + STEEL PLATES

FERODO
 MOTORCYCLE CLUTCHES
 Updated on 9th Oct 2015

20025

MALAGUTI

STANDARD
HIGH PERFORMANCESTANDARD
HIGH PERFORMANCE

...MALAGUTI

					STANDARD	HIGH PERFORMANCE	STANDARD	HIGH PERFORMANCE
FIFTY 50 RV	50	1987	→		FCD0615	FCD0615/1	FCS0615/2	FCS0615/3
FIFTY 50 RV VARIATORE / KICK	50	1987	→		FCD0615	FCD0615/1	FCS0615/2	FCS0615/3
FIFTY 50 TOP	50	1985	→		FCD0615	FCD0615/1	FCS0615/2	FCS0615/3
GRIZZLY 50 all models	50	1987	→	FSS0520	FCD0548		FCS0548/2	
MDX GOLD 50 ENDURO	50	1987	→		FCD0615	FCD0615/1	FCS0615/2	FCS0615/3
MEX 50 ENDURO	50	1985	→		FCD0615	FCD0615/1	FCS0615/2	FCS0615/3
MGX 50 ENDURO	50	1987	→	FSS0520	FCD0548		FCS0548/2	
MLX 50 ENDURO	50	1987	→		FCD0615	FCD0615/1	FCS0615/2	FCS0615/3
RCW 50 RONCO	50	→ 1982		FSS0520	FCD0548		FCS0548/2	
RCX-W 50 ENDURO	50	1983	→	FSS0520	FCD0548		FCS0548/2	
RGT 50 SPORT	50	1985	→	FSS0520	FCD0548		FCS0548/2	
RGT 50 STRADA	50	1983	→	FSS0520	FCD0548		FCS0548/2	
RST 50 SPORT tutti i tipi	50	1987	→	FSS0520	FCD0548		FCS0548/2	
SAHIB 50 ENDURO	50	1983	→	FSS0520	FCD0548		FCS0548/2	
CHOPPER 80	80	→ 1982			FCD0615	FCD0615/1	FCS0615/2	FCS0615/3
MDX 80 ENDURO	80	1984	→		FCD0523	FCD0523/1	FCS0523/2	FCS0523/3

MALANCA

1 coperchio friz. perno corto	1	→			FCD0637			
1 coperchio friz. perno lungo	1	→			FCD0646			

MINARELLI

motore AM 345 - AM 6 50 cc	50	→	FSS0518	FCD0608	FCD0608/1	FCS0608/2	FCS0608/3
motore HF R 3 GL 50 cc	50	→	FSS0506	FCD0636		FCS0636/2	
motore P4 50 cc	50	→		FCD0621			
motore P6 50 cc	50	→		FCD0587			
motore RV 4 50 cc	50	→	FSS0506	FCD0636		FCS0636/2	
motore MR 6 80 cc	80	→		FCD0635			
motore 125 cc	125	→		FCD0541			
motore RK 6 125 cc	125	→		FCD0531			

MONTESA

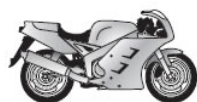
MKS 50	50	1987	→		FCD0587			
COTA 123	123	→ 1983					FCS0667/2	
COTA 123	123	1983	→				FCS0667/2	
MH 123	123	1983	→				FCS0667/2	
MH 200	200	1983	→				FCS0667/2	
COTA 242	242	1983	→				FCS0663/2	
RC 248	248	→					FCS0524/2	
COTA 304	304	1987	→				FCS0663/2	
COTA 304	304	1988	→				FCS0663/2	
COTA 307	307	1989	→				FCS0651/2	
COTA 315	315	1997	→ 1999		FCD0544			
COTA 330	330	→					FCS0583/2	
TRIAL 330	330	1985	→				FCS0626/2	
COTA 335	335	→					FCS0583/2	
COTA 335	335	1987	→ 1991				FCS0583/2	
COTA 335	335	1987	→ 1991				FCS0663/2	
T 348	348	→ 1983					FCS0534/2	
COTA 349	349	1983	→				FCS0582/2	
MH 349	349	1983	→				FCS0582/2	

MORINI FRANCO

motore 2-3 marce 50 cc	50	→		FCD0618				
motore 6 M 50 cc	50	→	FSS0513	FCD0509	FCD0509/1	FCS0509/2	FCS0509/3	
motore T4 - TA5 6 marce 50 cc	50	→	FSS0520	FCD0548		FCS0548/2		
motore TOP G 60 50 cc	50	→	FSS0520	FCD0548		FCS0548/2		

MOTO GUZZI

NEVADA 350	350	1992	→ 1997		FCD0571			
NEVADA 350 CLUB	350	1998	→ 1999		FCD0571			
NTX 350	350	1986	→ 1990		FCD0543			
V 35 350 (accensione elettronica)	350	1977	→ 1979		FCD0543			
V 35 350 C	350	1982	→ 1986		FCD0543			
V 35 350 CARABINIERI	350	1990	→ 1991		FCD0543			
V 35 350 CARABINIERI	350	1992	→ 2001		FCD0571			
V 35 350 FLORIDA	350	1986	→ 1990		FCD0543			
V 35 350 II	350	1980	→ 1985		FCD0543			
V 35 350 III	350	1985	→ 1987		FCD0543			
V 50 500 (accensione elettronica)	500	1977	→ 1979		FCD0543			



KIT RANGE



STANDARD

HIGH PERFORMANCE



STANDARD

HIGH PERFORMANCE

...MOTO GUZZI

					STANDARD	HIGH PERFORMANCE	STANDARD	HIGH PERFORMANCE
V 50 500 C	500	1982 → 1986			FCD0543			
V 50 500 III	500	1980 → 1984			FCD0543			
V 50 500 III POLIZIA (vecchio tipo)	500	1982 → 1990			FCD0543			
V 50 500 PA	500	1992 → 2001			FCD0571			
65 GT 650	650	1988 → 1989			FCD0571			
NTX 650	650	1986 → 1990			FCD0543			
V 65 650 CUSTOM	650	1983 → 1986			FCD0571			
V 65 650 FLORIDA	650	1985 → 1992			FCD0571			
V 65 650 POLIZIA (nuovo tipo)	650	1988 → 1995			FCD0571			
750 POLIZIA 1A e 2A serie	750	1992 → 2002			FCD0571			
BREVA 750	750	2003 → 2007			FCD0571			
NEVADA 750	750	1991 → 1997			FCD0571			
NEVADA 750	750	2002 → 2003			FCD0571			
NEVADA 750 AQUILA NERA	750	2009 → 2010			FCD0571			
NEVADA 750 CLASSIC	750	2004 → 2007			FCD0571			
NEVADA 750 CLASSIC	750	2009 → 2012			FCD0571			
NEVADA 750 CLUB	750	1998 → 2001			FCD0571			
NEVADA 750 S	750	2010 →			FCD0571			
NEVADA 750 S ANNIVERSARIO	750	2012 →			FCD0571			
SP 750	750	1990 → 1992			FCD0571			
STRADA 750	750	1993 → 1995			FCD0571			
TARGA 750	750	1990 → 1992			FCD0571			
V 75 750 PA	750	1992 → 2001			FCD0571			
V7 750 CAFE CLASSIC	750	2009 →			FCD0571			
V7 750 CLASSIC	750	2008 → 2012			FCD0571			
V7 750 RACER	750	2011 →			FCD0571			
V7 750 SPECIAL - STONE	750	2012 →			FCD0571			
BREVA 850	850	2006 → 2007			FCD0612			
GRISO 850	850	2006 → 2007			FCD0612			
LE MANS III 850	850	1981 → 1984			FCD0513			
NORGE 850	850	2007 → 2008			FCD0612			
T3 850	850	1979 → 1985			FCD0513			
T5 850 CIVILE	850	1984 → 1987			FCD0513			
T5 850 POLIZIA	850	1988 → 2001			FCD0612			
T5 850 POLIZIA (ante modifica)	850	1988 → 1993			FCD0513			
BELLAGIO 940 AQUILA NERA	940	2007 → 2010			FCD0612			
CALIFORNIA II 1000	1000	1981 → 1987			FCD0513			
CALIFORNIA III 1000 (carburatori)	1000	1987 →			FCD0612			
CALIFORNIA III 1000 (carburatori)	1000	1988 → 1993			FCD0513			
CALIFORNIA III 1000 (iniezione)	1000	1990 → 1993			FCD0612			
DAYTONA 1000	1000	1992 → 1995			FCD0612			
DAYTONA 1000 RACING	1000	1996 →			FCD0612			
DAYTONA 1000 RS	1000	1997 → 1998			FCD0612			
GT 1000	1000	1987 → 1991			FCD0612			
LE MANS 1000	1000	1984 → 1993			FCD0612			
QUOTA 1000	1000	1992 → 1997			FCD0612			
S 1000	1000	1989 → 1994			FCD0612			
SP 1000	1000	1979 → 1983			FCD0513			
SP II 1000	1000	1984 → 1987			FCD0513			
SP III 1000	1000	1989 → 1994			FCD0612			
STRADA 1000	1000	1993 → 1994			FCD0612			
V 10 1000 CENTAURO	1000	1997 → 1999			FCD0612			
BREVA 1100	1100	2005 → 2007			FCD0612			
CALIFORNIA 1100	1100	1994 → 1997			FCD0612			
CALIFORNIA 1100	1100	2006 → 2012			FCD0612			
CALIFORNIA 1100 ALLUMINIUM - TITANIUM	1100	2004 → 2005			FCD0612			
CALIFORNIA 1100 AQUILA NERA	1100	2009 → 2011			FCD0612			
CALIFORNIA 1100 CLASSIC - TOURING	1100	2006 → 2008			FCD0612			
CALIFORNIA 1100 EV	1100	1997 → 2002			FCD0612			
CALIFORNIA 1100 EV	1100	2003 → 2005			FCD0612			
CALIFORNIA 1100 EV TOURING	1100	2003 → 2005			FCD0612			
CALIFORNIA 1100 JACKAL	1100	1999 →			FCD0612			
CALIFORNIA 1100 SPECIAL	1100	1999 → 2000			FCD0612			
CALIFORNIA 1100 SPECIAL SPORT - ALLUMINIUM	1100	2002 → 2003			FCD0612			
CALIFORNIA 1100 SPORT	1100	2001 → 2002			FCD0612			
CALIFORNIA 1100 STONE - METAL	1100	2001 → 2005			FCD0612			
CALIFORNIA 1100 VINTAGE	1100	2006 → 2012			FCD0612			
GRISO 1100	1100	2005 → 2008			FCD0612			
QUOTA 1100 ES	1100	1999 → 2001			FCD0612			
SPORT 1100 (carburatori)	1100	1994 → 1996			FCD0612			
SPORT 1100 (iniezione)	1100	1996 → 1999			FCD0612			
SPORT 1100 CORSA	1100	1998 → 1999			FCD0612			
V 11 1100 LE MANS	1100	2001 → 2005			FCD0612			
V 11 1100 NAKED	1100	2003 → 2005			FCD0612			
V 11 1100 SPORT	1100	1999 → 2005			FCD0612			
V11 1100 BALLABIO	1100	2003 → 2005			FCD0612			

FCDXXXX
 FCDXXXX/1
 FCSXXXX/2
 FCSXXXX/3

STANDARD
 HIGH PERFORMANCE
 STANDARD
 HIGH PERFORMANCE

FRICION PLATES ONLY
 FRICION PLATES ONLY
 FRICION PLATES + STEEL PLATES
 FRICION PLATES + STEEL PLATES

FERODO

MOTORCYCLE CLUTCHES
 Updated on 9th Oct 2015

20027



KIT RANGE

STANDARD

HIGH PERFORMANCE

STANDARD

HIGH PERFORMANCE

PEUGEOT

old models 50

50

→

FCD0560

PIAGGIO

VESPA 50 HP FL2	50	1992	→	FSS0516	FCD0507		FCS0507/2	
VESPA 50 L - N	50	1963	→	FSS0502	FCD0578		FCS0578/2	
VESPA 50 PK	50	1983	→	FSS0502	FCD0578		FCS0578/2	
VESPA 50 PK SPECIAL - XL	50	1986	→	FSS0502	FCD0578		FCS0578/2	
VESPA 50 PK XL 2	50	1986	→	FSS0502	FCD0578		FCS0578/2	
VESPA 50 PK XL 2 AUTOMATICA	50	1986	→	FSS0502	FCD0578		FCS0578/2	
VESPA 50 SPECIAL	50	1963	→	FSS0502	FCD0578		FCS0578/2	
VESPA 50 V FL 2	50	1990	→	FSS0516	FCD0507		FCS0507/2	
VESPA 90 PRIMAVERA	90	1958	→	FSS0502	FCD0578		FCS0578/2	
VESPA 98	98	1946	→ 1947	FSS0218	FCD0723		FCS0723/2	
COSA 125 CL / CL2	125	1988	→ 1991	FSS0521	FCD0554		FCS0554/2	
COSA 2 125	125	1991	→ 1997	FSS0131	FCD0518	FCD0518/1	FCS0518/2	FCS0518/3
VESPA 125	125	1958	→ 1972	FSS0519	FCD0607		FCS0607/2	
VESPA 125 (da V1T a V15T - da V30T a V33T)	125	1946	→ 1952	FSS0218	FCD0723		FCS0723/2	
VESPA 125 (VM1/2T - VU1T)	125	1953	→ 1954	FSS0218	FCD0722		FCS0722/2	
VESPA 125 (VN1/2T)	125	1955	→ 1957	FSS0519	FCD0721		FCS0721/2	
VESPA 125 ET3	125		→	FSS0502	FCD0578		FCS0578/2	
VESPA 125 ETS	125	1984	→	FSS0502	FCD0578		FCS0578/2	
VESPA 125 GT (VNL2T)	125	1966	→ 1973	FSS0519	FCD0607		FCS0607/2	
VESPA 125 GTR (VNL2T)	125	1968	→ 1978	FSS0519	FCD0607		FCS0607/2	
VESPA 125 PK AUTOMATICA	125	1984	→	FSS0502	FCD0578		FCS0578/2	
VESPA 125 PK SPECIAL - XL	125	1986	→ 1989	FSS0502	FCD0578		FCS0578/2	
VESPA 125 PK XL 2	125	1984	→	FSS0502	FCD0578		FCS0578/2	
VESPA 125 PRIMAVERA	125	1967	→ 1973	FSS0502	FCD0578		FCS0578/2	
VESPA 125 PRIMAVERA (1 serie)	125	1966	→	FSS0502	FCD0578		FCS0578/2	
VESPA 125 PX	125	1978	→ 1981	FSS0519	FCD0607		FCS0607/2	
VESPA 125 PX	125	1998	→	FSS0131	FCD0518	FCD0518/1	FCS0518/2	FCS0518/3
VESPA 125 PX ARCOBALENO	125	1983	→	FSS0519	FCD0607		FCS0607/2	
VESPA 125 V FL2	125	1991	→	FSS0516	FCD0507		FCS0507/2	
COSA 150 CL / CLX	150	1988	→ 1991	FSS0521	FCD0554		FCS0554/2	
COSA 2 150	150	1991	→ 1997	FSS0131	FCD0518	FCD0518/1	FCS0518/2	FCS0518/3
VESPA 150	150	1963	→ 1972	FSS0519	FCD0607		FCS0607/2	
VESPA 150 (VL1/2/3T)	150	1955	→ 1957	FSS0519	FCD0721		FCS0721/2	
VESPA 150 GS (VS1)	150	1955	→	FSS0519	FCD0724		FCS0724/2	
VESPA 150 GS (VS2/3/4)	150	1956	→ 1958	FSS0519	FCD0725		FCS0725/2	
VESPA 150 GS (VS5 da tel 47351 a tel 63168)	150	1959	→ 1961	FSS0519	FCD0725		FCS0725/2	
VESPA 150 PX	150	1978	→ 1991	FSS0519	FCD0607		FCS0607/2	
VESPA 150 PX	150	1998	→	FSS0131	FCD0518	FCD0518/1	FCS0518/2	FCS0518/3
VESPA 150 PX ARCOBALENO	150	1983	→ 1997	FSS0519	FCD0607		FCS0607/2	
VESPA 150 SPRINT VELOCE (VLB1)	150	1965	→ 1974	FSS0519	FCD0607		FCS0607/2	
VESPA 150 SUPER (VBC1T)	150	1965	→ 1966	FSS0519	FCD0607		FCS0607/2	
VESPA 150 TS (VNL3T)	150	1975	→ 1978	FSS0519	FCD0607		FCS0607/2	
VESPA 160 GS	160	1975	→	FSS0519	FCD0607		FCS0607/2	
VESPA 180 SS	180	1975	→	FSS0521	FCD0554		FCS0554/2	
COSA 1 200	200	1989	→ 1991	FSS0521	FCD0554		FCS0554/2	
COSA 2 200	200	1991	→ 1997	FSS0131	FCD0518	FCD0518/1	FCS0518/2	FCS0518/3
COSA 200	200	1989	→ 1991	FSS0521	FCD0554		FCS0554/2	
VESPA 200 PE	200	1983	→	FSS0521	FCD0554		FCS0554/2	
VESPA 200 PX	200	1998	→	FSS0131	FCD0518	FCD0518/1	FCS0518/2	FCS0518/3
VESPA 200 PX ARCOBALENO	200	1983	→	FSS0521	FCD0554		FCS0554/2	
VESPA 200 PX E	200	1978	→	FSS0521	FCD0554		FCS0554/2	
VESPA 200 RALLY	200	1975	→	FSS0521	FCD0554		FCS0554/2	

PIAGGIO (ciclomotori)

BOXER 50 (massette avviamento)	50		→		FCD0604			
BOXER 50 (massette frizione)	50		→		FCD0535			
BOXER variatore 50 (massette avviamento)	50		→		FCD0579			
BRAVO 50 (massette avviamento)	50		→		FCD0604			
BRAVO 50 (massette frizione)	50		→		FCD0535			
BRAVO 50 (ruote in lega mozzo 90mm) (massette avviamento)	50	1987	→		FCD0604			
BRAVO 50 (ruote in lega mozzo 90mm) (massette frizione)	50	1987	→		FCD0535			
BRAVO 50 (ruote in lega) (massette avviamento)	50	1987	→		FCD0604			
BRAVO 50 (ruote in lega) (massette frizione)	50	1987	→		FCD0535			
BRAVO variatore 50 (massette avviamento)	50		→		FCD0579			
BRAVO variatore 50 (ruote in lega mozzo 90mm) (massette avviamento)	50	1987	→		FCD0579			
BRAVO variatore 50 (ruote in lega) (massette avviamento)	50	1987	→		FCD0579			
CIAO 50 (massette avviamento)	50		→		FCD0604			
CIAO 50 (massette frizione)	50		→		FCD0535			
CIAO 50 (ruote in lega) (massette avviamento)	50	1987	→		FCD0604			
CIAO 50 (ruote in lega) (massette frizione)	50	1987	→		FCD0535			
CIAO variatore 50 (massette avviamento)	50		→		FCD0579			

FCDXXXX
FCDXXXX/1
FCSXXXX/2
FCSXXXX/3

STANDARD
HIGH PERFORMANCE
STANDARD
HIGH PERFORMANCE

FRICITION PLATES ONLY
FRICITION PLATES ONLY
FRICITION PLATES + STEEL PLATES
FRICITION PLATES + STEEL PLATES

FERODO

MOTORCYCLE CLUTCHES
Updated on 9th Oct 2015

20029

PIAGGIO (ciclomotori)



KIT RANGE



HIGH PERFORMANCE



HIGH PERFORMANCE

...PIAGGIO (ciclomotori)

					STANDARD	HIGH PERFORMANCE	STANDARD	HIGH PERFORMANCE
CIAO variatore 50 (ruote in lega) (massette avviamento)	50	1987	→		FCD0579			
GRILLO 50 (massette avviamento)	50	1989	→		FCD0604			
GRILLO 50 (massette frizione)	50	1989	→		FCD0535			
GRILLO variatore 50 (massette avviamento)	50	1989	→		FCD0579			
SI 50 (massette avviamento)	50		→		FCD0604			
SI 50 (massette frizione)	50		→		FCD0535			
SI variatore 50 (ruote in lega) (massette avviamento)	50	1980	→		FCD0579			

PIAGGIO (motocarri)

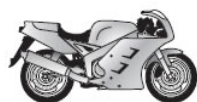
APE 50 EURO 2	50	2003	→ 2010	FSS0516	FCD0507		FCS0507/2	
APE 50 FL / FL2	50	1989	→ 1995	FSS0516	FCD0507		FCS0507/2	
APE 50 FL3 EUROPA	50	1996	→ 1999	FSS0516	FCD0507		FCS0507/2	
APE 50 P	50	1980	→ 1985	FSS0502	FCD0578		FCS0578/2	
APE 50 RST MIX	50	1999	→ 2005	FSS0516	FCD0507		FCS0507/2	
APE 50 TM P	50	1985	→ 1989	FSS0502	FCD0578		FCS0578/2	
APE PENTARO' 175 con scodellino	175		→		FCD0611			
APE PENTARO' 175 senza mozzo	175		→		FCD0511			
APE PENTARO' 175 senza scodellino	175		→		FCD0511			
APE CAR 220 P2 / P3	220	1978	→ 1985		FCD0536			
APE LS 220 lubrificazione sep. senza mozzo	220		→		FCD0515			
APE LS 220 lubrificazione separata	220		→		FCD0515			
APE MP 220 P 501 (I SERIE) con scodellino	220		→		FCD0611			
APE MP 220 P 501 (I SERIE) senza mozzo	220		→		FCD0511			
APE MP 220 P 501 (I SERIE) senza scodellino	220		→		FCD0511			
APE MP 220 P 501 (II SERIE)	220	1978	→ 1996		FCD0542			
APE MP 220 P 601 (I SERIE)	220	1978	→		FCD0515			
APE MP 220 P 601 (I SERIE) senza mozzo	220	1978	→		FCD0515			
APE MP 220 P 601 (II SERIE)	220	1978	→ 1996		FCD0536			
APE TM 220	220	2009	→ 2010		FCD0536			
APE TM 220 P 602	220	1982	→ 1983		FCD0536			
APE TM 220 P 703 / P 703 V / FL2	220	1984	→ 2002		FCD0536			
APE CALESSINO 420	420	2007	→ 2008		FCD0508			
APE CAR 420 DIESEL	420	1986	→ 1996		FCD0508			
APE CAR 420 MAX DIESEL 9 q.li	420	1986	→ 1996		FCD0508			
APE MP 420 601 CLASSIC	420	2006	→ 2007		FCD0508			
APE POKER 420 BENZINA	420	1993	→		FCD0508			
APE POKER 420 DIESEL	420	1993	→ 1997		FCD0508			
APE TM 420 DIESEL LCS	420	2005	→ 2010		FCD0508			
APE TM 420 P 703 / P 703 V DIESEL	420	1987	→ 2004		FCD0508			
PORTER 500 QUARGO	500	2005	→ 2009		FCD0683			
PORTER 1000 (carburatore)	1000	1992	→		FCD0602			
PORTER 1000 (iniezione)	1000	1992	→ 1998		FCD0514			
PORTER 1200 DIESEL	1200	1995	→ 2000		FCD0500			
PORTER 1300 16 V 4X4	1300	1998	→ 2007		FCD0600			
PORTER 1300 16 V MAXXI	1300	1998	→ 2007		FCD0600			
PORTER 1300 16 V PICK UP	1300	1998	→ 2007		FCD0600			
PORTER 1300 16 V VAN	1300	1998	→ 2007		FCD0600			
PORTER 1300 MAXXI UP - DATE	1300	2009	→		FCD0600			
PORTER 1300 UP - DATE	1300	2009	→		FCD0600			
PORTER 1400 DIESEL	1400	1995	→ 2000		FCD0500			

PIAGGIO (Spagna)

VESPA 80	80		→	FSS0502	FCD0578		FCS0578/2	
VESPA 80 PX	80		→	FSS0502	FCD0578		FCS0578/2	
VESPA 80 SPECIAL	80		→	FSS0502	FCD0578		FCS0578/2	
VESPA 125 PX	125		→	FSS0519	FCD0607		FCS0607/2	
VESPA 150 PX	150		→	FSS0519	FCD0607		FCS0607/2	

PUCH

CONDOR 50	50		→		FCD0566			
DS 50	50		→		FCD0566			
IMOLA 50	50		→		FCD0566			
M 50	50		→		FCD0566			
MC 50	50		→		FCD0566			
MONZA 50	50	1983	→ 1984		FCD0566			
MONZA 50	50	1985	→		FCD0566			
MS 50	50		→		FCD0566			
MV 50	50		→		FCD0566			
RANGER 50	50		→		FCD0566			
VZ 50	50		→		FCD0566			



STANDARD HIGH PERFORMANCE



STANDARD HIGH PERFORMANCE

RIEJU

DRAC 50	50	1992 →	FSS0506	FCD0636		FCS0636/2	
DRAC 50 (SPAIN)	50	→	FSS0518	FCD0608	FCD0608/1	FCS0608/2	FCS0608/3
FD4 50 SUPER MARATON	50	1985 →	FSS0506	FCD0636		FCS0636/2	
MARATHON 50	50	1974 →		FCD0587			
MRT-PRO 50	50	2009 → 2010	FSS0506	FCD0636		FCS0636/2	
MRX 50 PRO	50	2005 →		FCD0635			
MRX 50 RACING	50	2002 →		FCD0635			
NKD 50	50	2005 →		FCD0635			
RS1 50	50	1989 →	FSS0506	FCD0636		FCS0636/2	
RS1 50 CASTROL	50	2001 →	FSS0518	FCD0608	FCD0608/1	FCS0608/2	FCS0608/3
RS1 50 EVOLUTION	50	1996 → 2000	FSS0518	FCD0608	FCD0608/1	FCS0608/2	FCS0608/3
RS2 50 MATRIX	50	2003 →	FSS0518	FCD0608	FCD0608/1	FCS0608/2	FCS0608/3

ROTAX

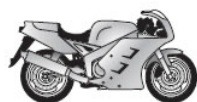
motori 125	125	1985 →		FCD0598		FCS0598/2	
motori 175	175	1983 →		FCD0580	FCD0580/1	FCS0580/2	FCS0580/3
motori 360	360	1985 →		FCD0516	FCD0516/1	FCS0516/2	FCS0516/3
motori 440	440	1985 →		FCD0516	FCD0516/1	FCS0516/2	FCS0516/3

SACHS

EKF ENGINE 50 4/5/6 SPEED (3 discs)	50	→		FCD0591			
EKF ENGINE 50 4/5/6 SPEED (5 discs)	50	→		FCD0591			
motore 3M 50	50	→		FCD0567			
motore 504 50	50	→		FCD0630			
SACHS-CASAL 50	50	→		FCD0670			
X ROAD 125	125	2005 →		FCD0301	FCD0301/1		
XTC 125	125	2000 → 2007		FCD0301	FCD0301/1		

SUZUKI

FR 50	50	1974 → 1981		FCD0373			
GS 50	50	2005 →	FSS0302	FCD0303			
GT 50	50	1977 → 1980	FSS0401	FCD0303			
JR 50 all models	50	1978 → 2007	FSS0201	FCD0319			
OR 50 ET	50	1980 →	FSS0401	FCD0303			
RB 50 H	50	1987 →	FSS0401	FCD0361			
RG 50 EW	50	→	FSS0401	FCD0342	FCD0342/1	FCS0342/2	
RM 50	50	1978 → 1982	FSS0401	FCD0303			
TS 50	50	1979 →	FSS0401	FCD0303			
TS 50	50	1980 → 1983	FSS0401	FCD0303			
TS 50	50	1984 → 2002	FSS0401	FCD0342	FCD0342/1	FCS0342/2	
ZR 50	50	1984 → 1987	FSS0401	FCD0303			
ZR 50 KEN - KEX	50	1979 → 1983	FSS0401	FCD0303			
ZR 50 SLK	50	1981 →	FSS0401	FCD0303			
RM 60	60	2003 →	FSS0108	FCD0411		FCS0411/2	
RM 65	65	2003 → 2006	FSS0410	FCD0411		FCS0411/2	
DR Z 70	70	2008 → 2012		FCD0394			
DS 80	80	1980 → 2000	FSS0401	FCD0310	FCD0310/1		
FR 80 all models	80	1976 → 1983		FCD0374			
JR 80	80	2001 → 2007	FSS0401	FCD0310	FCD0310/1		
RM 80	80	1977 → 1979	FSS0401	FCD0301	FCD0301/1		
RM 80	80	1980 → 1981	FSS0202	FCD0301	FCD0301/1		
RM 80	80	1982 →	FSS0308	FCD0310	FCD0310/1		
RM 80	80	1983 →	FSS0307	FCD0310	FCD0310/1		
RM 80	80	1984 → 1985	FSS0307	FCD0301	FCD0301/1		
RM 80	80	1986 →	FSS0307	FCD1307			
RM 80	80	1987 → 1988	FSS0320	FCD0320		FCS0320/2	
RM 80	80	1989 →	FSS0308	FCD1312	FCD1312/1	FCS1312/2	FCS1312/3
RM 80	80	1990 →	FSS0308	FCD1312	FCD1312/1	FCS1312/2	FCS1312/3
RM 80	80	1991 → 2001		FCD1312	FCD1312/1	FCS1312/2	FCS1312/3
RM 85	85	2002 → 2007		FCD1312	FCD1312/1	FCS1312/2	FCS1312/3
RM 85	85	2008 →		FCD1312	FCD1312/1	FCS1312/2	FCS1312/3
A 100 all models	100	1974 → 1980	FSS0303	FCD0354			
GP 100	100	1978 → 1987	FSS0303	FCD0302	FCD0302/1		
GP 100 N/UN	100	1979 →	FSS0303	FCD0301	FCD0301/1		
GP 100 N/UN	100	1980 → 1992	FSS0303	FCD0362	FCD0362/1		
RM 100	100	1976 →	FSS0303	FCD0302	FCD0302/1		
RM 100	100	1977 → 1978	FSS0303	FCD0304	FCD0304/1	FCS0304/2	FCS0304/3
RM 100	100	1979 → 1981	FSS0303	FCD0302	FCD0302/1		
RM 100	100	2003 →		FCD0415	FCD0415/1	FCS0415/2	FCS0415/3
TS 100	100	1973 → 1977	FSS0303	FCD0367			
TS 100	100	1978 → 1979	FSS0303	FCD0301	FCD0301/1		
TS 100	100	1979 →	FSS0303	FCD0301	FCD0301/1		



KIT RANGE



STANDARD
HIGH PERFORMANCE



STANDARD
HIGH PERFORMANCE

...SUZUKI

					STANDARD	HIGH PERFORMANCE	STANDARD	HIGH PERFORMANCE
TS 100	100	1980 → 1981	FSS0303	FCD0365	FCD0365/1			
TS 100	100	1982 →	FSS0303	FCD0301	FCD0301/1			
DR Z 110	110	2003 → 2005	FSS0410	FCD0473				
SMASH 110	110	2003 →	FSS0404	FCD0473				
DF 125	125	→	FSS0307	FCD0301	FCD0301/1			
DR 125 S	125	1982 → 2001	FSS0307	FCD0301	FCD0301/1			
DR 125 SM	125	2008 → 2012	FSS0307	FCD0365	FCD0365/1			
DR Z 125 K	125	2003 → 2012	FSS0307	FCD0301	FCD0301/1			
DR Z 125 L	125	2003 → 2012	FSS0307	FCD0301	FCD0301/1			
FX 125	125	→	FSS0307	FCD0301	FCD0301/1			
GN 125	125	1982 → 1990	FSS0307	FCD0301	FCD0301/1			
GN 125	125	1994 → 2001	FSS0307	FCD0301	FCD0301/1			
GN 125 HS	125	2000 → 2011	FSS0307	FCD0301	FCD0301/1			
GP 125	125	1978 → 1979	FSS0303	FCD0302	FCD0302/1			
GP 125	125	1981 → 1984	FSS0303	FCD0359	FCD0359/1			
GS 125	125	1982 → 2000	FSS0307	FCD0301	FCD0301/1			
GT 125	125	1974 → 1977	FSS0303	FCD0301	FCD0301/1			
GT 125	125	1978 →	FSS0303	FCD0301	FCD0301/1			
GT 125	125	1979 →	FSS0303	FCD0365	FCD0365/1			
GZ 125 MARAUDER	125	1998 → 2011	FSS0307	FCD0301	FCD0301/1			
RG 125 T - FV	125	1992 → 1994		FCD0302	FCD0302/1			
RG 125 UN WOLF (NAKED)	125	1992 → 1994		FCD0302	FCD0302/1			
RG 125 W GAMMA	125	1986 → 1990	FSS0303	FCD0302	FCD0302/1			
RM 125	125	1976 → 1978	FSS0303	FCD0304	FCD0304/1	FCS0304/2	FCS0304/3	
RM 125	125	1979 →	FSS0303	FCD0302	FCD0302/1			
RM 125	125	1980 →	FSS0303	FCD0302	FCD0302/1			
RM 125	125	1981 → 1982	FSS0308	FCD0304	FCD0304/1	FCS0304/2	FCS0304/3	
RM 125	125	1983 → 1984	FSS0307	FCD0304	FCD0304/1	FCS0304/2	FCS0304/3	
RM 125	125	1985 →	FSS0307	FCD0304	FCD0304/1	FCS0304/2	FCS0304/3	
RM 125	125	1986 →		FCD1313	FCD1313/1	FCS1313/2	FCS1313/3	
RM 125	125	1987 →		FCD1313	FCD1313/1	FCS1313/2	FCS1313/3	
RM 125	125	1988 → 1990	FSS0310	FCD1311	FCD1311/1	FCS1311/2	FCS1311/3	
RM 125	125	1991 →	FSS0310	FCD1311	FCD1311/1	FCS1311/2	FCS1311/3	
RM 125	125	1992 →	FSS0306	FCD0334	FCD0334/1	FCS0334/2	FCS0334/3	
RM 125	125	1993 → 1995		FCD0334	FCD0334/1	FCS0334/2	FCS0334/3	
RM 125	125	1996 →		FCD0334	FCD0334/1	FCS0334/2	FCS0334/3	
RM 125	125	1997 → 2000	FSS0215	FCD0334	FCD0334/1	FCS0334/2	FCS0334/3	
RM 125	125	2001 →	FSS0215	FCD0334	FCD0334/1	FCS0334/2	FCS0334/3	
RM 125	125	2002 → 2012		FCD0454	FCD0454/1	FCS0454/2	FCS0454/3	
RV 125 VAN VAN	125	2002 → 2012	FSS0307	FCD0301	FCD0301/1			
T 125 STINGER	125	1969 → 1971	FSS0303	FCD0353				
TF 125 FARM BIKE	125	1978 → 2005	FSS0303	FCD0301	FCD0301/1			
TS 125	125	1973 → 1978	FSS0303	FCD0301	FCD0301/1			
TS 125	125	1980 → 1982	FSS0303	FCD0365	FCD0365/1			
TS 125	125	1983 → 1988	FSS0303	FCD0302	FCD0302/1			
TS 125	125	1989 →	FSS0303	FCD0302	FCD0302/1			
TS 125	125	1990 → 1996		FCD0302	FCD0302/1			
TS 125 ERN (From F No 302346)	125	1979 →	FSS0303	FCD0365	FCD0365/1			
TS 125 ERN (Up to F No 302345)	125	1979 →	FSS0303	FCD0301	FCD0301/1			
TS 125 ERZ - FFS	125	1982 →	FSS0303	FCD0301	FCD0301/1			
TS 125 N from Frame No.178872	125	1984 →	FSS0303	FCD0365	FCD0365/1			
TS 125 N to Frame No.178871	125	1984 →	FSS0303	FCD0301	FCD0301/1			
VL 125 INTRUDER	125	2000 → 2008	FSS0301	FCD0360				
PE 175	175	1978 → 1981	FSS0303	FCD0304	FCD0304/1	FCS0304/2	FCS0304/3	
PE 175	175	1982 →	FSS0303	FCD0304	FCD0304/1	FCS0304/2	FCS0304/3	
GT 185	185	1974 → 1979	FSS0303	FCD0302	FCD0302/1			
TS 185	185	1973 →	FSS0303	FCD0302	FCD0302/1			
TS 185	185	1974 → 1981	FSS0303	FCD0302	FCD0302/1			
DF 200 EV/EW/EY (SH42A)	200	1998 → 2000	FSS0307	FCD0301	FCD0301/1			
DR 200	200	1986 → 1989	FSS0401	FCD0302	FCD0302/1			
DR 200	200	2001 → 2013		FCD1313	FCD1313/1	FCS1313/2	FCS1313/3	
DR 200 DJEBEL	200	1993 → 2000		FCD1313	FCD1313/1	FCS1313/2	FCS1313/3	
GT 200	200	1979 → 1982	FSS0303	FCD0302	FCD0302/1			
RV 200 K2/K3	200	2002 → 2003	FSS0307	FCD0301	FCD0301/1			
SB 200	200	1979 → 1980	FSS0303	FCD0302	FCD0302/1			
SX 200	200	1990 → 1991	FSS0307	FCD0302	FCD0302/1			
TS 200 R	200	1990 →	FSS0307	FCD0304	FCD0304/1	FCS0304/2	FCS0304/3	
DR 250 R	250	1995 → 2000	FSS0207	FCD0125	FCD0125/1			
DR 250 R DJEBEL	250	1996 → 1998	FSS0207	FCD0125	FCD0125/1			
DR 250 S	250	1990 → 1995	FSS0307	FCD0332	FCD0332/1	FCS0332/2	FCS0332/3	
DR Z 250	250	2001 → 2007	FSS0207	FCD0125	FCD0125/1			
GN 250	250	1985 → 1997	FSS0301	FCD0316	FCD0316/1			
GS 250 E	250	1980 → 1981	FSS0308	FCD0304	FCD0304/1	FCS0304/2	FCS0304/3	
GSF 250 BANDIT (GJ74A)	250	1992 → 1996	FSS0308	FCD0302	FCD0302/1			
GSX 250	250	1980 → 1982	FSS0308	FCD0304	FCD0304/1	FCS0304/2	FCS0304/3	
GSX 250	250	1987 →	FSS0308	FCD0302	FCD0302/1			

SUZUKI

20032

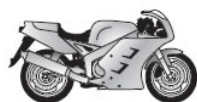


MOTORCYCLE CLUTCHES
Updated on 9th Oct 2015

FCDXXXX
FCDXXXX/1
FCSXXXX/2
FCSXXXX/3

STANDARD
HIGH PERFORMANCE
STANDARD
HIGH PERFORMANCE

FRICITION PLATES ONLY
FRICITION PLATES ONLY
FRICITION PLATES + STEEL PLATES
FRICITION PLATES + STEEL PLATES



STANDARD

HIGH PERFORMANCE



STANDARD

HIGH PERFORMANCE

...SUZUKI

					STANDARD	HIGH PERFORMANCE	STANDARD	HIGH PERFORMANCE
GSX 250 (ZR 250C)	250	2000 → 2005	FSS0403	FCD0441	FCD0441/1			
GSX 250 S KATANA	250	1991 →	FSS0308	FCD0362	FCD0362/1			
GSX-R 250	250	1987 → 1989	FSS0308	FCD0302	FCD0302/1			
GSX-R 250 R	250	1989 →	FSS0308	FCD0362	FCD0362/1			
GT 250 EN - ET - EX	250	1979 → 1981	FSS0301	FCD0351				
GT 250 K - L - M	250	1973 → 1974	FSS0301	FCD0381	FCD0381/1			
GT 250 K - L - M	250	1975 → 1978	FSS0301	FCD0351				
GZ 250 MARAUDER	250	1999 → 2008	FSS0312	FCD0316	FCD0316/1			
LX 250 L (SBK2)	250	→	FSS0401	FCD0477	FCD0477/1			
PE 250 B - C	250	1977 → 1978	FSS0301	FCD0346				
PE 250 N	250	1979 →	FSS0301	FCD0346				
PE 250 T	250	1980 →	FSS0301	FCD0306	FCD0306/1			
PE 250 X - Z	250	1981 → 1982	FSS0301	FCD0306	FCD0306/1			
RG 250 F GAMMA	250	1985 → 1988	FSS0301	FCD0352				
RG 250 W GAMMA	250	1983 →	FSS0301	FCD0349	FCD0349/1			
RG 250 W GAMMA	250	1984 →	FSS0301	FCD0352				
RGV 250	250	1988 →	FSS0403	FCD0352				
RGV 250	250	1993 → 1995	FSS0403	FCD0308	FCD0308/1	FCS0308/2	FCS0308/3	
RGV 250 GAMMA	250	1991 → 1992	FSS0403	FCD0308	FCD0308/1	FCS0308/2	FCS0308/3	
RGV 250 K	250	1989 → 1990	FSS0403	FCD0352				
RL 250	250	1974 → 1975		FCD0351				
RL 250	250	1978 → 1982	FSS0301	FCD0372				
RM 250	250	1976 → 1978	FSS0301	FCD0346				
RM 250	250	1979 → 1984	FSS0301	FCD0306	FCD0306/1			
RM 250	250	1985 →	FSS0301	FCD0306	FCD0306/1			
RM 250	250	1986 →	FSS0307	FCD1306	FCD1306/1			
RM 250	250	1987 →	FSS0320	FCD0321	FCD0321/1	FCS0321/2	FCS0321/3	
RM 250	250	1988 →	FSS0305	FCD0322	FCD0322/1	FCS0322/2	FCS0322/3	
RM 250	250	1989 → 1990	FSS0305	FCD0322	FCD0322/1	FCS0322/2	FCS0322/3	
RM 250	250	1991 →	FSS0309	FCD0322	FCD0322/1	FCS0322/2	FCS0322/3	
RM 250	250	1992 → 1993	FSS0306	FCD0333	FCD0333/1	FCS0333/2	FCS0333/3	
RM 250	250	1994 → 1995	FSS0306	FCD0322	FCD0322/1	FCS0322/2	FCS0322/3	
RM 250	250	1996 →	FSS0306	FCD0480	FCD0480/1	FCS0480/2	FCS0480/3	
RM 250	250	1997 → 2002	FSS0215	FCD0480	FCD0480/1	FCS0480/2	FCS0480/3	
RM 250	250	2003 → 2005	FSS0215	FCD0392	FCD0392/1	FCS0392/2	FCS0392/3	
RM 250	250	2006 → 2012		FCD0391	FCD0391/1	FCS0391/2	FCS0391/3	
RMX 250	250	1989 → 1990	FSS0305	FCD0322	FCD0322/1	FCS0322/2	FCS0322/3	
RMX 250	250	1991 →	FSS0309	FCD0322	FCD0322/1	FCS0322/2	FCS0322/3	
RMX 250	250	1992 → 1993	FSS0306	FCD0333	FCD0333/1	FCS0333/2	FCS0333/3	
RMX 250	250	1994 → 1999	FSS0306	FCD0322	FCD0322/1	FCS0322/2	FCS0322/3	
RMZ 250	250	2004 → 2006	FSS0417	FCD0378	FCD0378/1	FCS0378/2	FCS0378/3	
RMZ 250	250	2007 → 2009		FCD0378	FCD0378/1	FCS0378/2	FCS0378/3	
RMZ 250	250	2010 → 2015		FCD0378	FCD0378/1	FCS0378/2	FCS0378/3	
SW1 250	250	1992 →	FSS0301	FCD0316	FCD0316/1			
T 250	250	1970 → 1972	FSS0301	FCD0381	FCD0381/1			
T 250 SUPER SIX	250	1966 → 1968		FCD0380	FCD0380/1			
TS 250 all models	250	1974 → 1982	FSS0301	FCD0351				
TS 250 X all models	250	1985 → 1989	FSS0307	FCD0302	FCD0302/1			
TU 250 GRASS TRACKER - BIG BOY	250	2000 → 2001	FSS0312	FCD0316	FCD0316/1			
TU 250 S VOLTY	250	1992 → 1997	FSS0301	FCD0316	FCD0316/1			
TU 250 X VOLTY	250	1997 → 1998	FSS0301	FCD0316	FCD0316/1			
TU 250 X VOLTY	250	1999 → 2000	FSS0312	FCD0316	FCD0316/1			
TV 250 WOLF	250	1988 → 1990	FSS0403	FCD0352				
VL 250 INTRUDER	250	2000 → 2007	FSS0312	FCD0316	FCD0316/1			
RL 325	325	1978 → 1982	FSS0301	FCD0372				
DR 350	350	1990 → 1999	FSS0307	FCD0332	FCD0332/1	FCS0332/2	FCS0332/3	
SG 350 GOOSE	350	1992 →	FSS0307	FCD0332	FCD0332/1	FCS0332/2	FCS0332/3	
T 350 all models	350	1969 → 1972	FSS0301	FCD0381	FCD0381/1			
SP 370 C - N	370	1978 → 1979	FSS0301	FCD0346				
GT 380 A - B - K	380	1973 → 1977	FSS0301	FCD0351				
DR 400 ST - SX	400	1979 → 1981	FSS0301	FCD0307	FCD0307/1			
DR Z 400 E	400	2000 → 2009	FSS0318	FCD0363	FCD0363/1	FCS0363/2	FCS0363/3	
DR Z 400 S	400	2000 → 2008	FSS0318	FCD0363	FCD0363/1	FCS0363/2	FCS0363/3	
DR Z 400 SM	400	2005 → 2009	FSS0318	FCD0363	FCD0363/1	FCS0363/2	FCS0363/3	
GN 400 TT	400	1980 →	FSS0301	FCD0307	FCD0307/1			
GS 400	400	1977 → 1978	FSS0301	FCD0372				
GSF 400 BANDIT	400	1991 → 1997	FSS0307	FCD0331	FCD0331/1			
GSF 400 S KATANA	400	1989 → 1994	FSS0307	FCD0331	FCD0331/1			
GSR 400	400	2006 →	FSS0316	FCD1127	FCD1127/1			
GSX 400	400	1997 → 1999	FSS0301	FCD0123	FCD0123/1			
GSX 400 (GK74A)	400	1988 → 1990	FSS0307	FCD0331	FCD0331/1			
GSX 400 ET - EX - EZ	400	1980 → 1982	FSS0301	FCD0308	FCD0308/1	FCS0308/2	FCS0308/3	
GSX 400 FEX - FZ - FD	400	1981 → 1983	FSS0301	FCD0307	FCD0307/1			
GSX 400 FWS - D - E - S	400	1983 →	FSS0301	FCD0307	FCD0307/1			
GSX 400 IMPULSE TYPE S	400	1994 → 1996	FSS0301	FCD0123	FCD0123/1			
GSX 400 INAZUMA	400	2000 →	FSS0301	FCD0317	FCD0317/1			

FCDXXXX
FCDXXXX/1
FCSXXXX/2
FCSXXXX/3

STANDARD
HIGH PERFORMANCE
STANDARD
HIGH PERFORMANCE

FRICITION PLATES ONLY
FRICITION PLATES ONLY
FRICITION PLATES + STEEL PLATES
FRICITION PLATES + STEEL PLATES

FERODO

MOTORCYCLE CLUTCHES

Updated on 9th Oct 2015

20033



...SUZUKI



KIT RANGE



STANDARD



HIGH PERFORMANCE

Model	Year	Year Range	Code	Standard Kit	High Performance Kit	Standard Kit	High Performance Kit
GSX 400 KATANA	400	1992 →		FCD0384	FCD0384/1		
GSX 400 R2 (GK71B)	400	1985 → 1986	FSS0307	FCD0370	FCD0370/1		
GSX 400 R3 (GK71F)	400	→	FSS0307	FCD0370	FCD0370/1		
GSX 400 X IMPULSE	400	1986 → 1988	FSS0307	FCD0370	FCD0370/1		
GSX-R 400	400	1987 →	FSS0307	FCD0370	FCD0370/1		
GSX-R 400	400	1988 → 1990	FSS0307	FCD0331	FCD0331/1		
GSX-R 400 R	400	1990 → 1995	FSS0307	FCD0331	FCD0331/1		
PE 400 T	400	1980 → 1981	FSS0301	FCD0307	FCD0307/1		
RF 400 RVC	400	1993 → 1997	FSS0301	FCD0123	FCD0123/1		
RG 400 WALTER WOLF	400	1985 → 1987	FSS0403	FCD1304	FCD1304/1		
RM 400	400	1978 →	FSS0301	FCD0351			
RM 400	400	1979 →	FSS0301	FCD0307	FCD0307/1		
RM 400	400	1980 →	FSS0301	FCD0307	FCD0307/1		
SP 400	400	1980 →	FSS0301	FCD0307	FCD0307/1		
VS 400 INTRUDER	400	1994 →	FSS0304	FCD0323	FCD0323/1		
GS 425 EN	425	1978 →	FSS0301	FCD0372			
GS 450 E	450	1980 → 1988	FSS0301	FCD0308	FCD0308/1	FCS0308/2	FCS0308/3
RMX 450 EFI	450	2010 → 2012		FCD0389	FCD0389/1	FCS0389/2	FCS0389/3
RMZ 450	450	2005 → 2007		FCD0389	FCD0389/1	FCS0389/2	FCS0389/3
RMZ 450 EFI	450	2008 → 2015		FCD0389	FCD0389/1	FCS0389/2	FCS0389/3
RM 465	465	1981 → 1982	FSS0301	FCD0313	FCD0313/1	FCS0313/2	FCS0313/3
DR 500 SD - SE	500	1981 → 1983	FSS0304	FCD0317	FCD0317/1		
GS 500	500	1996 → 2003		FCD0308	FCD0308/1	FCS0308/2	FCS0308/3
GS 500 E	500	1989 → 1995		FCD0308	FCD0308/1	FCS0308/2	FCS0308/3
GS 500 F	500	2004 → 2008		FCD0308	FCD0308/1	FCS0308/2	FCS0308/3
GT 500	500	1976 → 1977	FSS0301	FCD0364			
RE 500	500	1975 → 1976	FSS0301	FCD0341			
RG 500 RF GAMMA	500	1985 → 1987		FCD1304	FCD1304/1		
RM 500	500	1983 → 1984	FSS0301	FCD0313	FCD0313/1	FCS0313/2	FCS0313/3
T 500 all models	500	1968 → 1970	FSS0301	FCD0382	FCD0382/1		
T 500 all models	500	1971 → 1975	FSS0301	FCD0364			
GSX 550 ES - ESE	550	1984 → 1987	FSS0301	FCD0311			
GT 550 A - B	550	1976 → 1977		FCD0371			
GT 550 J	550	1972 →		FCD0371			
GT 550 K - L - M	550	1973 → 1975		FCD0371			
DR 600 R	600	1986 → 1989		FCD0317	FCD0317/1		
DR 600 R DAKAR-DJEBEL	600	1987 → 1988		FCD0317	FCD0317/1		
DR 600 S	600	1986 → 1988		FCD0317	FCD0317/1		
GSF 600 BANDIT	600	1995 → 2004	FSS0309	FCD1310	FCD1310/1		
GSR 600	600	2006 → 2008	FSS0316	FCD1127	FCD1127/1		
GSX 600 F	600	1998 → 2006	FSS0309	FCD0315	FCD0315/1		
GSX 600 F KATANA	600	1988 → 1991	FSS0304	FCD1309	FCD1309/1	FCS1309/2	FCS1309/3
GSX 600 F KATANA	600	1992 → 1997	FSS0309	FCD0327	FCD0327/1		
GSX-R 600	600	1996 → 2000		FCD1301	FCD1301/1	FCS1301/2	FCS1301/3
GSX-R 600	600	2001 → 2005		FCD0399	FCD0399/1	FCS0399/2	FCS0399/3
GSX-R 600	600	2006 → 2007	FSS0313	FCD0375	FCD0375/1	FCS0375/2	FCS0375/3
GSX-R 600	600	2008 → 2010	FSS0313	FCD0377	FCD0377/1	FCS0377/2	FCS0377/3
GSX-R 600	600	2011 → 2015		FCD0377	FCD0377/1	FCS0377/2	FCS0377/3
RF 600 RR	600	1993 → 1996	FSS0309	FCD0336	FCD0336/1		
VS 600 GL INTRUDER	600	1995 → 1997		FCD0323	FCD0323/1		
DL 650 V STROM	650	2004 → 2006		FCD1302	FCD1302/1	FCS1302/2	FCS1302/3
DL 650 V STROM X	650	2004 → 2012		FCD1302	FCD1302/1	FCS1302/2	FCS1302/3
DR 650 R	650	1990 → 1993		FCD0335	FCD0335/1	FCS0335/2	FCS0335/3
DR 650 R	650	1994 → 1995		FCD1303	FCD1303/1	FCS1303/2	FCS1303/3
DR 650 RS-R DAKAR	650	1990 →		FCD0335	FCD0335/1	FCS0335/2	FCS0335/3
DR 650 RS-RSE-DJEBEL-DAKAR	650	1991 → 1995		FCD0335	FCD0335/1	FCS0335/2	FCS0335/3
DR 650 SE	650	1996 → 1997	FSS0101	FCD0326	FCD0326/1	FCS0326/2	FCS0326/3
GS 650 GTX - GTZ - GX	650	1981 → 1983	FSS0301	FCD0305			
GS 650 GZ KATANA	650	1981 → 1982	FSS0301	FCD0305			
GS 650 TURBO	650	1983 →	FSS0301	FCD0305			
GSF 650 BANDIT	650	2005 → 2006		FCD0315	FCD0315/1		
GSF 650 BANDIT ABS	650	2005 → 2006		FCD0315	FCD0315/1		
GSF 650 BANDIT ABS	650	2007 → 2011		FCD1127	FCD1127/1		
GSF 650 S BANDIT ABS	650	2007 → 2011		FCD1127	FCD1127/1		
GSX 650 F	650	2008 → 2012		FCD1127	FCD1127/1		
LS 650 P SAVAGE	650	1987 → 1997		FCD0317	FCD0317/1		
SFV 650 GLADIUS	650	2009 → 2012		FCD1302	FCD1302/1	FCS1302/2	FCS1302/3
SV 650	650	1999 → 2002	FSS0313	FCD1305	FCD1305/1	FCS1305/2	FCS1305/3
SV 650	650	2003 → 2012		FCD1302	FCD1302/1	FCS1302/2	FCS1302/3
SV 650 ABS	650	2003 → 2012		FCD1302	FCD1302/1	FCS1302/2	FCS1302/3
XF 650 FREEWIND	650	1997 → 2002	FSS0101	FCD0326	FCD0326/1	FCS0326/2	FCS0326/3
GS 700 E - ES	700	1985 →		FCD0305			
VS 700 GLE	700	1986 → 1987		FCD0323	FCD0323/1		
DR 750 S BIG	750	1987 → 1988		FCD1308	FCD1308/1		
DR 750 S BIG	750	1989 →		FCD1308	FCD1308/1		
GS 750	750	1977 → 1980	FSS0301	FCD0358			

SUZUKI

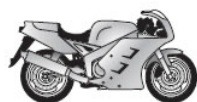
20034

FERODO
MOTORCYCLE CLUTCHES
Updated on 9th Oct 2015

FCDXXX
FCDXXX/1
FCSXXX/2
FCSXXX/3

STANDARD
HIGH PERFORMANCE
STANDARD
HIGH PERFORMANCE

FRICITION PLATES ONLY
FRICITION PLATES ONLY
FRICITION PLATES + STEEL PLATES
FRICITION PLATES + STEEL PLATES



STANDARD HIGH PERFORMANCE



STANDARD HIGH PERFORMANCE

...SUZUKI

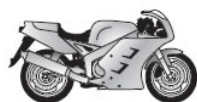
					STANDARD	HIGH PERFORMANCE	STANDARD	HIGH PERFORMANCE
GSX 750 F	750	1989 → 1997	FSS0105	FCD0327	FCD0327/1			
GSX 750 F	750	1998 → 2006	FSS0309	FCD0315	FCD0315/1			
GSX 750 S KATANA	750	1980 → 1986	FSS0301	FCD0305				
GSX-R 750	750	1988 → 1989	FSS0105	FCD0327	FCD0327/1			
GSX-R 750	750	1990 → 1992	FSS0309	FCD0327	FCD0327/1			
GSX-R 750	750	2000 → 2001		FCD0398	FCD0398/1	FCS0398/2	FCS0398/3	
GSX-R 750	750	2002 → 2003		FCD0337	FCD0337/1			
GSX-R 750	750	2004 → 2005	FSS0316	FCD0337	FCD0337/1			
GSX-R 750	750	2006 → 2007	FSS0313	FCD1315	FCD1315/1	FCS1315/2	FCS1315/3	
GSX-R 750	750	2008 → 2010	FSS0313	FCD0377	FCD0377/1	FCS0377/2	FCS0377/3	
GSX-R 750	750	2011 → 2015		FCD0377	FCD0377/1	FCS0377/2	FCS0377/3	
GSX-R 750 F	750	1985 → 1987		FCD1309	FCD1309/1	FCS1309/2	FCS1309/3	
GSX-R 750 SP	750	1993 → 1995	FSS0309	FCD0327	FCD0327/1			
GSX-R 750 T SRAD	750	1996 → 1999		FCD1314	FCD1314/1	FCS1314/2	FCS1314/3	
GT 750	750	1972 → 1977		FCD0358				
VS 750 GL	750	1985 → 1991		FCD0323	FCD0323/1			
C 800 INTRUDER	800	2005 → 2012		FCD0323	FCD0323/1			
DR 800 BIG all models	800	1991 → 1993		FCD1308	FCD1308/1			
DR 800 BIG S - SU	800	1990 →		FCD1308	FCD1308/1			
DR 800 Z	800	1988 → 1989		FCD1308	FCD1308/1			
M 800 INTRUDER	800	2005 → 2012		FCD0323	FCD0323/1			
VL 800 INTRUDER LC VOLUSIA	800	2001 → 2004		FCD0323	FCD0323/1			
VS 800 INTRUDER	800	1992 → 1999		FCD0323	FCD0323/1			
VX 800	800	1990 → 1992		FCD0323	FCD0323/1			
VX 800	800	1993 → 1996		FCD0323	FCD0323/1			
VZ 800 MARAUDER	800	1997 → 2003		FCD0323	FCD0323/1			
GS 850	850	1979 → 1985	FSS0301	FCD0305				
RF 900 RR	900	1994 →		FCD0338				
RF 900 RR	900	1995 →	FSS0114	FCD0337	FCD0337/1			
RF 900 RT - RV	900	1996 → 1999	FSS0114	FCD0337	FCD0337/1			
DL 1000 V STROM	1000	2002 → 2010	FSS0118	FCD0385	FCD0385/1	FCS0385/2	FCS0385/3	
GS 1000 ET	1000	1981 →	FSS0301	FCD0309	FCD0309/1			
GS 1000 GT - GX	1000	1980 →	FSS0301	FCD0312	FCD0312/1			
GS 1000 HC - SN	1000	1978 → 1979	FSS0301	FCD0312	FCD0312/1			
GSX 1000 S KATANA	1000	1982 →	FSS0301	FCD0309	FCD0309/1			
GSX-R 1000	1000	2001 → 2003		FCD0467	FCD0467/1	FCS0467/2	FCS0467/3	
GSX-R 1000	1000	2004 →		FCD0467	FCD0467/1	FCS0467/2	FCS0467/3	
GSX-R 1000	1000	2005 → 2008		FCD0376	FCD0376/1	FCS0376/2	FCS0376/3	
GSX-R 1000	1000	2009 → 2015		FCD0379	FCD0379/1	FCS0379/2	FCS0379/3	
SV 1000 FAIRED	1000	2003 → 2007		FCD0385	FCD0385/1	FCS0385/2	FCS0385/3	
SV 1000 NAKED	1000	2003 → 2007		FCD0385	FCD0385/1	FCS0385/2	FCS0385/3	
TL 1000 R	1000	1998 → 2000	FSS0314	FCD0347	FCD0347/1			
TL 1000 R	1000	2001 → 2002	FSS0314	FCD0369	FCD0369/1			
TL 1000 S	1000	1997 → 1998	FSS0317	FCD0337	FCD0337/1			
TL 1000 S	1000	1999 → 2000	FSS0314	FCD0347	FCD0347/1			
TL 1000 S	1000	2001 → 2002	FSS0314	FCD0369	FCD0369/1			
GS 1100 GZ	1100	1982 →	FSS0301	FCD0309	FCD0309/1			
GSX 1100	1100	1980 → 1982	FSS0301	FCD0309	FCD0309/1			
GSX 1100	1100	1984 → 1986	FSS0301	FCD0309	FCD0309/1			
GSX 1100	1100	1991 → 1992		FCD0330	FCD0330/1			
GSX 1100	1100	1994 → 1995		FCD0330	FCD0330/1			
GSX 1100 F	1100	1988 → 1992	FSS0105	FCD0324	FCD0324/1			
GSX 1100 F	1100	1993 →		FCD0330	FCD0330/1			
GSX 1100 KATANA	1100	1983 →	FSS0301	FCD0355				
GSX-R 1100	1100	1986 → 1988	FSS0304	FCD0324	FCD0324/1			
GSX-R 1100	1100	1989 → 1992		FCD0330	FCD0330/1			
GSX-R 1100	1100	1993 → 1996		FCD0338				
GS 1200 SS K1	1200	2001 →		FCD1314	FCD1314/1	FCS1314/2	FCS1314/3	
GSF 1200 BANDIT	1200	1996 → 2005		FCD1314	FCD1314/1	FCS1314/2	FCS1314/3	
GSF 1200 BANDIT	1200	2006 →		FCD1314	FCD1314/1	FCS1314/2	FCS1314/3	
GSF 1200 BANDIT STREETFIGHTER	1200	2007 → 2012		FCD0395				
GSF 1200 S BANDIT	1200	1997 →		FCD1314	FCD1314/1	FCS1314/2	FCS1314/3	
GSF 1200 S BANDIT	1200	2001 → 2005		FCD1314	FCD1314/1	FCS1314/2	FCS1314/3	
GSF 1200 S BANDIT	1200	2006 →		FCD1314	FCD1314/1	FCS1314/2	FCS1314/3	
GSX 1200 X	1200	1999 → 2001		FCD1314	FCD1314/1	FCS1314/2	FCS1314/3	
GV 1200 GL MADURA	1200	1985 → 1986		FCD0366	FCD0366/1			
GSF 1250 BANDIT	1250	2007 → 2012		FCD0395				
GSF 1250 S BANDIT	1250	2007 → 2012		FCD0395				
GSX 1250 FA	1250	2010 → 2012		FCD0395				
GSX 1250 SPORT TOURING	1250	2010 → 2012		FCD0395				
GSX-R 1300 HAYABUSA	1300	1999 → 2001	FSS0315	FCD0340	FCD0340/1	FCS0340/2	FCS0340/3	
GSX-R 1300 HAYABUSA	1300	2002 → 2007	FSS0315	FCD0385	FCD0385/1	FCS0385/2	FCS0385/3	
GSX-R 1300 HAYABUSA	1300	2008 → 2012		FCD0385	FCD0385/1	FCS0385/2	FCS0385/3	
GSX-R 1300 HAYABUSA	1300	2013 →		FCD0385	FCD0385/1	FCS0385/2	FCS0385/3	
GSX 1340 B KING	1340	2008 → 2012		FCD0385	FCD0385/1	FCS0385/2	FCS0385/3	
GSX 1400	1400	2001 →		FCD0386	FCD0386/1			

FCDXXXX STANDARD FRICTION PLATES ONLY
 FCDXXXX/1 HIGH PERFORMANCE FRICTION PLATES ONLY
 FCSXXXX/2 STANDARD FRICTION PLATES + STEEL PLATES
 FCSXXXX/3 HIGH PERFORMANCE FRICTION PLATES + STEEL PLATES

FERODO
 MOTORCYCLE CLUTCHES
 Updated on 9th Oct 2015

20035

SUZUKI



KIT RANGE

STANDARD
HIGH PERFORMANCESTANDARD
HIGH PERFORMANCE

...SUZUKI

Model	Year	Year	Year	Code	Code	Code	Code
GSX 1400	1400	2002	→	2007	FCD0383		
GV 1400	1400	1985	→		FCD0368	FCD0368/1	
GV 1400 CAVALCADE	1400	1986	→	1988	FCD0368	FCD0368/1	
GV 1400 GD	1400	1986	→		FCD0368	FCD0368/1	
VS 1400 INTRUDER	1400	1987	→	2003	FCD0325	FCD0325/1	
M 1500 INTRUDER	1500	2009	→	2012	FCD0395		
VL 1500 C INTRUDER	1500	2005	→	2009	FSS0115	FCD0309	FCD0309/1
VL 1500 INTRUDER	1500	2002	→	2003	FSS0115	FCD0309	FCD0309/1
VL 1500 LC INTRUDER	1500	1998	→	2001	FSS0115	FCD0309	FCD0309/1
M 1600 INTRUDER	1600	2005	→		FCD0416		
VZ 1600 MARAUDER	1600	2004	→		FCD0416		
C 1800 R INTRUDER	1800	2008	→	2012	FSS0316	FCD0396	FCD0396/1
C 1800 RT INTRUDER	1800	2008	→	2009	FSS0316	FCD0396	FCD0396/1
M 1800 R INTRUDER	1800	2006	→	2009		FCD0393	FCD0393/1
M 1800 R2 INTRUDER	1800	2008	→	2009		FCD0393	FCD0393/1
M 1800 RZ INTRUDER	1800	2007	→	2012		FCD0393	FCD0393/1

SUZUKI ATV

Model	Year	Year	Year	Code	Code	Code	Code	
LT 125	125	1984	→		FCD0303			
LT 125	125	1985	→	1987	FCD0303			
LT 160	160	1989	→	1992	FSS0120	FCD0318	FCS0318/2 FCS0318/3	
LT 160 QUADSPORT	160	2003	→	2004	FSS0120	FCD0318	FCD0318/1 FCS0318/2 FCS0318/3	
LT-F 160	160	1990	→	2003	FSS0120	FCD0318	FCD0318/1 FCS0318/2 FCS0318/3	
LT 185	185	1984	→	1985		FCD0303		
LT 230 GEF/GEG	230	1985	→	1986	FSS0120	FCD0318	FCD0318/1 FCS0318/2 FCS0318/3	
LT-F 230 G/H	230	1986	→	1987	FSS0120	FCD0318	FCD0318/1 FCS0318/2 FCS0318/3	
LT 250 EFF/EFG	250	1985	→	1986	FSS0120	FCD0328	FCD0328/1 FCS0328/2 FCS0328/3	
LT 250 R	250	1987	→	1990	FSS0307	FCD0321	FCD0321/1 FCS0321/2 FCS0321/3	
LT-F 250 4WD QUADRUNNER	250	1997	→	1998	FSS0120	FCD0328	FCD0328/1 FCS0328/2 FCS0328/3	
LT-F 250 F QUADRUNNER	250	1999	→	2002	FSS0120	FCD0328	FCD0328/1 FCS0328/2 FCS0328/3	
LT-F 250 K OZARK	250	2002	→		FSS0120	FCD0397		FCS0397/2
LT-F 250 K OZARK	250	2004	→			FCD0388	FCD0388/1 FCS0388/2 FCS0388/3	
LT-F 250 K OZARK	250	2005	→	2012		FCD0328	FCD0328/1 FCS0328/2 FCS0328/3	
LT-F 250 QUADRUNNER	250	1988	→	2001	FSS0120	FCD0328	FCD0328/1 FCS0328/2 FCS0328/3	
LT-Z 250 QUAD SPORT	250	2004	→	2012	FSS0120	FCD0388	FCD0388/1 FCS0388/2 FCS0388/3	
LT-F 300	300	1988	→	1989	FSS0120	FCD0328	FCD0328/1 FCS0328/2 FCS0328/3	
LT-F 300 F KING QUAD	300	1999	→	2001	FSS0120	FCD1311	FCD1311/1 FCS1311/2 FCS1311/3	
LT-F 300 QUADRUNNER 4WD	300	1991	→	1998	FSS0120	FCD1311	FCD1311/1 FCS1311/2 FCS1311/3	
LT-A 400 EIGER	400	2002	→	2007		FCD0412		
LT-A 400 KING QUAD 4WD	400	2008	→	2012		FCD0412		
LT-F 400 EIGER	400	2002	→			FCD0412		
LT-F 400 EIGER 2WD	400	2003	→	2007		FCD0412		
LT-Z 400	400	2003	→	2004	FSS0318	FCD0363	FCD0363/1 FCS0363/2 FCS0363/3	
LT-Z 400 QUAD SPORT	400	2005	→	2015	FSS0318	FCD0387	FCD0387/1 FCS0387/2 FCS0387/3	
LT-R 450	450	2006	→	2012		FCD0389	FCD0389/1 FCS0389/2 FCS0389/3	
LT 500 R	500	1990	→	1991	FSS0307	FCD0322	FCD0322/1 FCS0322/2 FCS0322/3	
LT-F 500 F QUADRUNNER	500	1998	→	2000	FSS0403	FCD0412		
LT-F 500 VISION QUADRUNNER	500	2003	→	2007	FSS0403	FCD0390		

TM

Model	Year	Year	Year	Code	Code	Code	Code
all models 80	80	1986	→	1993	FCD0642		
GS 80	80	1986	→	1989	FCD0642		
JUNIOR 80	80	1996	→	2000	FCD0642		
all models 125	125	1986	→	1993	FCD0642		
CROSS - ENDURO 125	125	1989	→	1990	FCD0642		
GS 125	125	1986	→	1989	FCD0642		
MC 125	125	1986	→	1989	FCD0642		

TRIUMPH

Model	Year	Year	Year	Code	Code	Code	Code
BABY SPEED 600	600	2001	→	2002	FCD0133	FCD0133/1 FCS0133/2 FCS0133/3	
DAYTONA 600	600	2003	→	2005	FCD0133	FCD0133/1 FCS0133/2 FCS0133/3	
SPEED FOUR 600	600	2003	→	2006	FCD0133	FCD0133/1 FCS0133/2 FCS0133/3	
TT 600	600	2000	→	2003	FCD0133	FCD0133/1 FCS0133/2 FCS0133/3	
DAYTONA 650	650	2005	→		FCD0125	FCD0125/1	
DAYTONA 675 up to VIN 381274	675	2006	→	2008	FCD0133	FCD0133/1 FCS0133/2 FCS0133/3	
DAYTONA TRIPLE 675 VIN 381275 to VIN 564947	675	2009	→	2011	FCD0133	FCD0133/1 FCS0133/2 FCS0133/3	
DAYTONA TRIPLE R 675 VIN 381275 to VIN 564947	675	2011	→		FCD0133	FCD0133/1 FCS0133/2 FCS0133/3	
STREET TRIPLE 675 from VIN 560477	675	2013	→	2015	FCD0133	FCD0133/1 FCS0133/2 FCS0133/3	
STREET TRIPLE 675 up to VIN 560476	675	2008	→	2012	FCD0133	FCD0133/1 FCS0133/2 FCS0133/3	
STREET TRIPLE R 675 from VIN 560477	675	2013	→	2015	FCD0133	FCD0133/1 FCS0133/2 FCS0133/3	
STREET TRIPLE R 675 up to VIN 560476	675	2009	→	2012	FCD0133	FCD0133/1 FCS0133/2 FCS0133/3	
STREET TRIPLE RX 675	675	2015	→		FCD0133	FCD0133/1 FCS0133/2 FCS0133/3	

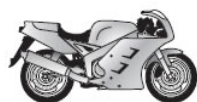
20036

FERODO

MOTORCYCLE CLUTCHES

Updated on 9th Oct 2015

FCDXXXX
FCDXXXX/1
FCSXXXX/2
FCSXXXX/3STANDARD
HIGH PERFORMANCE
STANDARD
HIGH PERFORMANCEFRICTION PLATES ONLY
FRICTION PLATES ONLY
FRICTION PLATES + STEEL PLATES
FRICTION PLATES + STEEL PLATES



KIT RANGE



STANDARD HIGH PERFORMANCE



STANDARD HIGH PERFORMANCE

...TRIUMPH

					STANDARD	HIGH PERFORMANCE	STANDARD	HIGH PERFORMANCE
(TRIDENT) SPRINT 749 749 Up to 9082	749	1993	→		FCD0736	FCD0736/1		
TRIDENT 749	749	1991	→ 1998		FCD0736	FCD0736/1		
DAYTONA 750	750	1991	→ 1992		FCD0736	FCD0736/1		
BONNEVILLE 790 (carb) T100 up to Eng No 211132	790	2002	→ 2004		FCD0732	FCD0732/1		
BONNEVILLE 790 (carb) Up to Eng No 282963-F2 / 273654-F4	790	2001	→ 2006		FCD0732	FCD0732/1		
BONNEVILLE 790 AMERICA (carb)	790	2002	→ 2004		FCD0733	FCD0733/1		
SPEEDMASTER 790 (carb)	790	2003	→ 2004		FCD0733	FCD0733/1		
TIGER 800	800	2011	→ 2013		FCD0133	FCD0133/1	FCS0133/2	FCS0133/3
TIGER 800 ABS	800	2011	→ 2014		FCD0133	FCD0133/1	FCS0133/2	FCS0133/3
TIGER XC 800	800	2011	→ 2013		FCD0133	FCD0133/1	FCS0133/2	FCS0133/3
TIGER XC 800	800	2015	→		FCD0133	FCD0133/1	FCS0133/2	FCS0133/3
TIGER XC 800 ABS	800	2011	→ 2014		FCD0133	FCD0133/1	FCS0133/2	FCS0133/3
TIGER XC X 800	800	2015	→		FCD0133	FCD0133/1	FCS0133/2	FCS0133/3
TIGER XR 800	800	2015	→		FCD0133	FCD0133/1	FCS0133/2	FCS0133/3
TIGER XR X 800	800	2015	→		FCD0133	FCD0133/1	FCS0133/2	FCS0133/3
AMERICA 865 (carb)	865	2005	→ 2011		FCD0733	FCD0733/1		
AMERICA 865 EFI	865	2012	→ 2015		FCD0733	FCD0733/1		
BONNEVILLE 865 (carb) T100 Eng No 211133 up	865	2005	→ 2011		FCD0733	FCD0733/1		
BONNEVILLE 865 EFI (ALLOY WHEELS) VIN 380777 up	865	2009	→ 2015		FCD0733	FCD0733/1		
BONNEVILLE 865 EFI T100	865	2012	→ 2015		FCD0733	FCD0733/1		
BONNEVILLE 865 Eng No 282964-F2 / 273655-F4 up	865	2007	→ 2008		FCD0733	FCD0733/1		
BONNEVILLE SE 865 EFI (ALLOY WHEELS) VIN 380777 up	865	2009	→ 2012		FCD0733	FCD0733/1		
SCRAMBLER 865 (carb)	865	2006	→ 2011		FCD0733	FCD0733/1		
SCRAMBLER 865 EFI	865	2012	→ 2015		FCD0733	FCD0733/1		
SPEEDMASTER 865 (carb)	865	2005	→ 2010		FCD0733	FCD0733/1		
SPEEDMASTER 865 EFI	865	2011	→ 2015		FCD0733	FCD0733/1		
THRUXTON 865 (carb)	865	2004	→ 2011		FCD0733	FCD0733/1		
THRUXTON 865 EFI	865	2012	→ 2015		FCD0733	FCD0733/1		
ADVENTURER 885	885	1996	→ 2001		FCD0736	FCD0736/1		
LEGEND TT 885	885	1999	→ 2001		FCD0736	FCD0736/1		
SPEED TRIPLE 885 (carb)	885	1994	→ 1996		FCD0736	FCD0736/1		
SPEED TRIPLE 885 EFI T509 up to 141871	885	1997	→ 1998		FCD0122	FCD0122/1		
THUNDERBIRD 885	885	1995	→ 2003		FCD0736	FCD0736/1		
THUNDERBIRD SPORT 885	885	1996	→ 2000		FCD0736	FCD0736/1		
THUNDERBIRD SPORT 885	885	2003	→ 2004		FCD0736	FCD0736/1		
TIGER 885 up to VIN 71698	885	1993	→ 1998		FCD0736	FCD0736/1		
TIGER 885 VIN 71699 to VIN 124105	885	1999	→ 2000		FCD0122	FCD0122/1		
DAYTONA 900 (T300B)	900	1993	→ 1996		FCD0736	FCD0736/1		
DAYTONA 900 SUPER 3	900	1994	→ 1996		FCD0736	FCD0736/1		
SPRINT 900	900	1994	→ 1997		FCD0736	FCD0736/1		
SPRINT EXECUTIVE 900	900	1998	→		FCD0736	FCD0736/1		
SPRINT SPORTS 900	900	1997	→ 1998		FCD0736	FCD0736/1		
TRIDENT 900	900	1991	→ 1998		FCD0736	FCD0736/1		
TROPHY 900	900	1991	→ 2001		FCD0736	FCD0736/1		
DAYTONA 955 T595	955	1997	→ 2000		FCD0122	FCD0122/1		
DAYTONA 955i	955	2003	→ 2006		FCD0735	FCD0735/1		
DAYTONA 955i BI-BRACCIO	955	2001	→ 2002		FCD0735	FCD0735/1		
DAYTONA 955i CENTENNIAL	955	2002	→ 2002		FCD0735	FCD0735/1		
SPEED TRIPLE 955 T595 up to 141871	955	1999	→ 2001		FCD0122	FCD0122/1		
SPEED TRIPLE 955i VIN 141872 to 210444	955	2002	→ 2004		FCD0735	FCD0735/1		
SPRINT RS 955 FROM VIN 139277	955	2002	→ 2003		FCD0735	FCD0735/1		
SPRINT RS 955 up to VIN 139276	955	2000	→ 2001		FCD0122	FCD0122/1		
SPRINT ST 955 up to VIN 139276	955	1999	→ 2001		FCD0122	FCD0122/1		
SPRINT ST 955 VIN 139277 TO VIN 208166	955	2002	→ 2004		FCD0735	FCD0735/1		
TIGER 955 VIN 124106 to VIN 198874	955	1999	→ 2003		FCD0122	FCD0122/1		
TIGER 955 VIN 198875 to VIN 287503	955	2004	→ 2006		FCD0735	FCD0735/1		
DAYTONA 1000	1000	1991	→ 1992		FCD0736	FCD0736/1		
SPEED TRIPLE 1050 VIN 210445 to VIN 267599	1050	2005	→ 2007		FCD0735	FCD0735/1		
SPEED TRIPLE 1050 VIN 267599 to VIN 333178	1050	2005	→ 2007		FCD0735	FCD0735/1		
SPEED TRIPLE 1050 VIN 333179 to VIN 461331	1050	2008	→ 2010		FCD0735	FCD0735/1		
DAYTONA 1200	1200	1993	→ 1997		FCD0736	FCD0736/1		
TROPHY 1200 (t300)	1200	1991	→ 2003		FCD0736	FCD0736/1		
ROCKET III 2300	2300	2004	→		FCD0734			
ROCKET III 2300 CLASSIC	2300	2007	→		FCD0734			
ROCKET III 2300 ROADSTER	2300	2010	→		FCD0734			
ROCKET III 2300 TOURING	2300	2013	→		FCD0734			

VERTEMATI

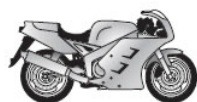
C 450 CROSS	450	2003	→			FCD0504/1		FCS0504/3
E 450 ENDURO	450	2002	→			FCD0504/1		FCS0504/3
SR 450 MOTARD	450	2003	→			FCD0504/1		FCS0504/3
SR 450 MOTARD RACING	450	2003	→			FCD0504/1		FCS0504/3
C 500 CROSS	500		→ 2002			FCD0504/1		FCS0504/3
E 501 ENDURO	501	2003	→			FCD0504/1		FCS0504/3
S 501 MOTARD	501	2002	→			FCD0504/1		FCS0504/3

FCDXXXX STANDARD FRICTION PLATES ONLY
 FCDXXXX/1 HIGH PERFORMANCE FRICTION PLATES ONLY
 FCSXXXX/2 STANDARD FRICTION PLATES + STEEL PLATES
 FCSXXXX/3 HIGH PERFORMANCE FRICTION PLATES + STEEL PLATES

FERODO
 MOTORCYCLE CLUTCHES
 Updated on 9th Oct 2015

20037

VERTEMATI



KIT RANGE



STANDARD
HIGH PERFORMANCE



STANDARD
HIGH PERFORMANCE

...VERTEMATI

C 570 CROSS	570	2003	→			FCD0504/1		FCS0504/3
E 570 ENDURO	570	2003	→			FCD0504/1		FCS0504/3
SR 600 MOTARD RACING	600	2003	→			FCD0504/1		FCS0504/3

YAMAHA

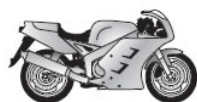
DT 50 M	50	1978	→	1979		FCD0202		
DT 50 M	50	1980	→	1986		FCD0201		
DT 50 MX	50	1978	→	1995		FCD0202		
DT 50 R	50	1997	→	2008		FCD0279		
DT 50 X SUPERMOTARD	50	2004	→	2008		FCD0279		
FS 1 50	50	1987	→	1990		FCD0201		
FS 1 50 DX	50	1979	→	1980		FCD0201		
FS 1 50 E	50	1974	→	1975		FCD0201		
FS 1 50 E DX	50	1977	→	1979		FCD0201		
FS 1 50 SE	50	1981	→	1982		FCD0201		
RD 50 M	50	1978	→			FCD0202		
RD 50 M	50	1979	→			FCD0202		
RD 50 M	50	1980	→			FCD0201		
RD 50 MX	50	1981	→	1987		FCD0201		
RZ 50 (5FC1/2)	50	2002	→			FCD0207		
T 50 TOWNMATE	50	1986	→			FCD0270		
TY 50 M	50	1977	→	1978		FCD0202		
TY 50 M	50	1980	→			FCD0201		
TZR 50	50	1990	→	2002		FCD0284		
TZR 50	50	2003	→			FCD0284		
V 50 M - P	50	1974	→	1982		FCD0227		
YZ 50	50	1980	→	1983		FCD0202		
DT 80 LC1 (37A)	80	1981	→	1984		FCD0207		
DT 80 LC2 (53A)	80	1985	→	1992		FCD0211		
DT 80 MX Type 12X	80	1983	→			FCD0202		
DT 80 MX Type 36N	80	1983	→	1985	FSS0401	FCD0207		
DT 80 MX Type 5J2	80	1981	→	1982		FCD0202		
DT 80 MXS	80	1984	→			FCD0207		
PW 80	80	1983	→	1991		FCD0227		
PW 80	80	1993	→	2006		FCD0227		
RD 80 AIR COOLED	80	1982	→			FCD0202		
RD 80 LC1	80	1982	→			FCD0207		
RD 80 LC2 - LCS	80	1982	→			FCD0207		
T 80 TOWNMATE	80	1983	→	1997		FCD0227		
TY 80	80	1977	→			FCD0202		
TY 80	80	1983	→			FCD0202		
V 80	80	1979	→	1982		FCD0227		
V 80 DL	80	1983	→			FCD0227		
YZ 80	80	1977	→			FCD0207		
YZ 80	80	1978	→	1979		FCD0211		
YZ 80	80	1980	→			FCD0207		
YZ 80	80	1981	→	1985		FCD1219	FCD1219/1	
YZ 80	80	1986	→	1989	FSS0206	FCD0228	FCD0228/1	FCS0228/2
YZ 80	80	1993	→	1994	FSS0205	FCD0228	FCD0228/1	FCS0228/2
YZ 80	80	1995	→	2001	FSS0206	FCD0246	FCD0246/1	FCS0246/2
YZ 85	85	2002	→	2015	FSS0206	FCD1208	FCD1208/1	FCS1208/2
T 90 N - D	90	2000	→	2008		FCD0262		
TT R 90	90	2000	→	2008		FCD0262		
AG 100 E FARM BIKE	100	1993	→		FSS0401	FCD0277		
AG 100 J	100	1982	→		FSS0401	FCD0277		
DT 100	100	1976	→	1980		FCD0254		
RS 100	100	1975	→	1976		FCD0277		
RS 100	100	1977	→	1980		FCD0211		
RS 100 DX	100	1977	→	1980		FCD0211		
RT 100	100	1994	→	2003	FSS0401	FCD0211		
RX S 100	100	1983	→	1997	FSS0401	FCD0211		
YB 100	100	1978	→	1992		FCD0256	FCD0256/1	
YZ 100	100	1978	→	1983	FSS0205	FCD0205		
CRYPTON 105 T	105	1996	→	1997		FCD0262		
CRYPTON 105 T	105	1998	→			FCD0262		
TT R 110 EX/EY	110	2008	→	2009		FCD1205		
V 110 SPORTY	110	1996	→			FCD0262		
RX 115	115	1999	→			FCD0211		
DT 125	125	1974	→	1975		FCD0281		
DT 125	125	1976	→	1977	FSS0205	FCD0254		
DT 125 (3TT4)	125	1996	→			FCD0258		
DT 125 E	125	1978	→	1979	FSS0401	FCD0254		
DT 125 LC	125	1982	→	1983		FCD0268		
DT 125 LC	125	1985	→			FCD0258		
DT 125 LC	125	1986	→	1987		FCD0258		

VERTEMATI

20038

FERODO
MOTORCYCLE CLUTCHES
Updated on 9th Oct 2015

FCDXXXX	STANDARD	FRICTION PLATES ONLY
FCDXXXX/1	HIGH PERFORMANCE	FRICTION PLATES ONLY
FCSXXXX/2	STANDARD	FRICTION PLATES + STEEL PLATES
FCSXXXX/3	HIGH PERFORMANCE	FRICTION PLATES + STEEL PLATES



KIT RANGE



STANDARD
HIGH PERFORMANCE



STANDARD
HIGH PERFORMANCE

...YAMAHA

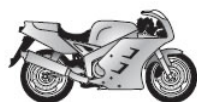
					STANDARD	HIGH PERFORMANCE	STANDARD	HIGH PERFORMANCE
DT 125 MX	125	1980 → 1981			FCD0254			
DT 125 R	125	1988 → 2003	FSS0206		FCD0235	FCD0235/1	FCS0235/2	FCS0235/3
DT 125 RE	125	2004 →	FSS0206		FCD0235	FCD0235/1	FCS0235/2	FCS0235/3
DT 125 RE	125	2005 → 2007	FSS0206		FCD0235	FCD0235/1	FCS0235/2	FCS0235/3
DT 125 X SUPERMOTARD	125	2005 → 2006	FSS0206		FCD0235	FCD0235/1	FCS0235/2	FCS0235/3
IT 125 G - H - J	125	1980 → 1982			FCD0291			
RD 125 DX	125	1975 → 1976			FCD0254			
RD 125 DX	125	1978 → 1981			FCD0211			
RD 125 LC	125	1982 → 1987			FCD0258			
RS 125	125	1975 →			FCD0254			
RS 125 DX	125	1976 →			FCD0254			
RS 125 DX	125	1977 →			FCD0211			
RZ 125 (1GV 030101-)	125	1985 →			FCD0258			
SR 125	125	1982 → 1991			FCD0257			
SR 125	125	1997 → 2002			FCD0257			
SR 125	125	2003 →			FCD0257			
SR 125 SE	125	1992 → 1996			FCD0257			
TDR 125	125	1993 → 2003	FSS0206		FCD0235	FCD0235/1	FCS0235/2	FCS0235/3
TDR 125 (Italia)	125	1989 → 1993			FCD1221	FCD1221/1		
TDR 125 R LIGHTBURNER	125	1993 → 1994			FCD1221	FCD1221/1		
TTR 125	125	2000 → 2009			FCD1210		FCS1210/2	
TTR 125 LW	125	2000 → 2013			FCD1210		FCS1210/2	
TW 125	125	1999 → 2002			FCD0205			
TW 125 R - S	125	2003 → 2004			FCD0205			
TY 125	125	1980 → 1982			FCD0205			
TZR 125	125	1987 → 1992			FCD1217	FCD1217/1		
TZR 125	125	1993 → 1995			FCD1221	FCD1221/1		
TZR 125 R	125	1991 → 1995			FCD1221	FCD1221/1		
TZR 125 RED ROCKET	125	1993 → 1995	FSS0206		FCD0235	FCD0235/1	FCS0235/2	FCS0235/3
WR 125 R	125	2009 → 2012	FSS0112		FCD0292		FCS0292/2	
WR 125 X SUPERMOTO	125	2009 → 2013	FSS0112		FCD0292		FCS0292/2	
XT 125	125	1982 → 1983			FCD0257			
XT 125 R	125	2005 → 2006			FCD0211			
XT 125 R	125	2007 → 2011			FCD0110	FCD0110/1		
XT 125 R (13D1)	125	2007 →			FCD0211			
XT 125 X SUPERMOTARD	125	2005 → 2006			FCD0211			
XT 125 X SUPERMOTARD	125	2007 → 2011			FCD0110	FCD0110/1		
XT 125 X SUPERMOTARD (13D2)	125	2007 →			FCD0211			
XTZ 125	125	2003 → 2010			FCD0211			
XV 125 VIRAGO	125	1997 → 2000	FSS0201		FCD0237	FCD0237/1		
XVS 125 DRAGSTAR	125	2000 → 2004	FSS0201		FCD0237	FCD0237/1		
YBR 125 CUSTOM	125	2006 → 2012			FCD0110	FCD0110/1		
YBR 125 E (Brasil)	125	2000 → 2008			FCD0211			
YBR 125 ED	125	2005 → 2006			FCD0110	FCD0110/1		
YBR 125 ED	125	2007 → 2012			FCD0110	FCD0110/1		
YBR 125 ED (Brasil)	125	2006 → 2008			FCD0211			
YZ 125	125	1976 → 1977	FSS0205		FCD0205			
YZ 125	125	1977 → 1981	FSS0205		FCD0206			
YZ 125	125	1982 → 1983	FSS0205		FCD0266			
YZ 125	125	1983 → 1984	FSS0205		FCD1216	FCD1216/1		
YZ 125	125	1985 → 1986	FSS0205		FCD1216	FCD1216/1		
YZ 125	125	1986 → 1987			FCD0216	FCD0216/1	FCS0216/2	FCS0216/3
YZ 125	125	1987 → 1988			FCD0216	FCD0216/1	FCS0216/2	FCS0216/3
YZ 125	125	1988 → 1989	FSS0201		FCD0234	FCD0234/1	FCS0234/2	FCS0234/3
YZ 125	125	1989 → 1990	FSS0201		FCD0233	FCD0233/1	FCS0233/2	FCS0233/3
YZ 125	125	1990 → 1991	FSS0201		FCD0233	FCD0233/1	FCS0233/2	FCS0233/3
YZ 125	125	1991 → 1992			FCD0240	FCD0240/1	FCS0240/2	FCS0240/3
YZ 125	125	1993 → 2007			FCD0243	FCD0243/1	FCS0243/2	FCS0243/3
YZ 125	125	2008 →			FCD0243	FCD0243/1	FCS0243/2	FCS0243/3
YZF-R 125	125	2008 → 2013	FSS0112		FCD0292		FCS0292/2	
CRYPTON 135 X	135	2006 → 2013			FCD1233			
RX 135	135	1981 →			FCD0258			
TZR 150 R	150	2000 →			FCD1221	FCD1221/1		
DT 175	175	1974 → 1975			FCD0254			
DT 175	175	1976 → 1977	FSS0205		FCD0254			
DT 175	175	1978 → 1983			FCD0210			
DT 175	175	1996 →			FCD0297			
IT 175	175	1980 → 1982	FSS0205		FCD0206			
TY 175	175	1977 → 1980			FCD0205			
AG 200 E	200	1993 →			FCD0292		FCS0292/2	
DT 200 R	200	1987 →			FCD1221	FCD1221/1		
DT 200 WR	200	1992 → 1993			FCD1221	FCD1221/1		
IT 200	200	1984 →	FSS0401		FCD0206			
RD 200 DX	200	1975 → 1981			FCD0281			
RS 200	200	1979 → 1980			FCD0281			
SDR 200	200	1987 → 1989	FSS0206		FCD0235	FCD0235/1	FCS0235/2	FCS0235/3

FCDXXXX STANDARD FRICTION PLATES ONLY
 FCDXXXX/1 HIGH PERFORMANCE FRICTION PLATES ONLY
 FCSXXXX/2 STANDARD FRICTION PLATES + STEEL PLATES
 FCSXXXX/3 HIGH PERFORMANCE FRICTION PLATES + STEEL PLATES

FERODO
 MOTORCYCLE CLUTCHES
 Updated on 9th Oct 2015

20039

YAMAHA



KIT RANGE



STANDARD
HIGH PERFORMANCE



STANDARD
HIGH PERFORMANCE

...YAMAHA

					STANDARD	HIGH PERFORMANCE	STANDARD	HIGH PERFORMANCE
TW 200	200	2001 → 2002			FCD0205			
WR 200	200	1992 → 1994	FSS0206		FCD0235	FCD0235/1	FCS0235/2	FCS0235/3
ST 225 BRONCO	225	1997 →			FCD0242			
TW 225 (5VC1/2)	225	2003 →			FCD0205			
XT 225	225	1997 → 2006			FCD0242			
XT 225 SEROW	225	1985 → 1992			FCD0242			
XT 225 SEROW	225	1993 →			FCD0242			
DT 230 R LANZA	230	1997 → 1998	FSS0206		FCD0235	FCD0235/1	FCS0235/2	FCS0235/3
DT 250	250	1975 → 1976	FSS0201		FCD0208	FCD0208/1		
DT 250 MX	250	1977 → 1980	FSS0201		FCD0261	FCD0261/1		
FZR 250	250	1987 →	FSS0307		FCD0263	FCD0263/1	FCS0263/2	FCS0263/3
FZR 250 R	250	1989 →	FSS0307		FCD0263	FCD0263/1	FCS0263/2	FCS0263/3
FZX 250 ZEAL	250	1991 → 1992	FSS0307		FCD0263	FCD0263/1	FCS0263/2	FCS0263/3
IT 250 G	250	1980 →	FSS0201		FCD0280	FCD0280/1		
IT 250 H - J - K	250	1981 → 1983	FSS0201		FCD0217	FCD0217/1		
IT 250 L	250	1984 →	FSS0201		FCD1214	FCD1214/1		
RD 250	250	1974 → 1975	FSS0205		FCD0208	FCD0208/1		
RD 250	250	1976 → 1979	FSS0201		FCD0208	FCD0208/1		
RD 250 LC	250	1980 →	FSS0201		FCD0208	FCD0208/1		
RD 250 LC	250	1981 → 1983	FSS0201		FCD0208	FCD0208/1		
RZ 250 (4L3)	250	→	FSS0201		FCD0208	FCD0208/1		
RZ 250 R (1AR1XG)	250	→	FSS0201		FCD0208	FCD0208/1		
RZ 250 R (29L)	250	→	FSS0201		FCD0208	FCD0208/1		
RZ 250 RR (51L)	250	1990 →	FSS0201		FCD0208	FCD0208/1		
SR 250	250	1993 → 1994	FSS0201		FCD0278	FCD0278/1		
SR 250 CLASSIC	250	1996 → 2000	FSS0201		FCD0278	FCD0278/1		
SR 250 SE	250	1980 → 1982	FSS0201		FCD0278	FCD0278/1		
SR 250 US CUSTOM	250	1980 → 1981	FSS0201		FCD0213	FCD0213/1		
SRV 250 SOULFULTWIN RENAISSA	250	1992 → 1997			FCD0237	FCD0237/1		
SRX 250	250	→	FSS0208		FCD0278	FCD0278/1		
TDR 250	250	1988 →			FCD1209	FCD1209/1		
TT 250 R	250	1993 → 1999	FSS0208		FCD1203	FCD1203/1		
TT R 250	250	2000 →			FCD0240	FCD0240/1	FCS0240/2	FCS0240/3
TY 250 R	250	1991 → 1992	FSS0212		FCD0222	FCD0222/1		
TY 250 S - RS	250	1984 → 1990	FSS0212		FCD0222	FCD0222/1		
TY 250 Z	250	1993 → 1995	FSS0201		FCD1209	FCD1209/1		
TY 250 Z SCOTTISH	250	1996 →	FSS0201		FCD1209	FCD1209/1		
TZR 250	250	1987 → 1992			FCD1209	FCD1209/1		
TZR 250 (REVERSE CYLINDER)	250	1989 → 1990	FSS0211		FCD0275	FCD0275/1		
TZR 250 R - RS - SP	250	1989 → 1995	FSS0202		FCD1209	FCD1209/1		
WR 250	250	1998 → 1999	FSS0211		FCD0215	FCD0215/1	FCS0215/2	FCS0215/3
WR 250	250	2000 →	FSS0208		FCD0215	FCD0215/1	FCS0215/2	FCS0215/3
WR 250	250	2001 →	FSS0208		FCD0215	FCD0215/1	FCS0215/2	FCS0215/3
WR 250	250	2002 →	FSS0213		FCD0215	FCD0215/1	FCS0215/2	FCS0215/3
WR 250 Z	250	1991 → 1993	FSS0211		FCD1229	FCD1229/1		
WR 250 Z	250	1994 → 1997	FSS0211		FCD1230	FCD1230/1		
WR F 250	250	2001 → 2013			FCD0251	FCD0251/1	FCS0251/2	FCS0251/3
WR R 250	250	2008 → 2013			FCD0240	FCD0240/1	FCS0240/2	FCS0240/3
WR X 250	250	2008 → 2013			FCD0240	FCD0240/1	FCS0240/2	FCS0240/3
XG 250 TRICKER	250	2004 → 2006	FSS0211		FCD1203	FCD1203/1		
XS 250 C	250	1978 →	FSS0201		FCD0217	FCD0217/1		
XS 250 C	250	1981 →	FSS0208		FCD0280	FCD0280/1		
XS 250 D - E	250	1979 → 1981	FSS0201		FCD0217	FCD0217/1		
XS 250 SE - SF SPECIAL	250	1979 → 1981	FSS0208		FCD0280	FCD0280/1		
XT 250	250	1980 →	FSS0401		FCD0213	FCD0213/1		
XT 250 LANDER (BRASIL)	250	2007 → 2009			FCD0162	FCD0162/1		
XT 250 X	250	2006 → 2008	FSS0211		FCD1203	FCD1203/1		
XV 250 VIRAGO	250	1989 → 1994	FSS0201		FCD0237	FCD0237/1		
XVS 250 DRAGSTAR	250	2001 → 2004	FSS0201		FCD0280	FCD0280/1		
XVS 250 VIRAGO	250	1995 → 2000	FSS0201		FCD0237	FCD0237/1		
YBR 250	250	2007 → 2011			FCD0162	FCD0162/1		
YS 250 Fazer (Brasil) (1S41/2/3)	250	2006 → 2008			FCD0162	FCD0162/1		
YZ 250	250	1977 → 1978	FSS0201		FCD0271	FCD0271/1		
YZ 250	250	1979 →	FSS0201		FCD0280	FCD0280/1		
YZ 250	250	1980 →	FSS0201		FCD0271	FCD0271/1		
YZ 250	250	1981 →	FSS0201		FCD0217	FCD0217/1		
YZ 250	250	1982 → 1984	FSS0201		FCD1214	FCD1214/1		
YZ 250	250	1985 →			FCD0218	FCD0218/1	FCS0218/2	FCS0218/3
YZ 250	250	1986 → 1987	FSS0201		FCD1214	FCD1214/1		
YZ 250	250	1988 → 1992	FSS0211		FCD0231	FCD0231/1	FCS0231/2	FCS0231/3
YZ 250	250	1993 → 1999	FSS0211		FCD0215	FCD0215/1	FCS0215/2	FCS0215/3
YZ 250	250	2000 →	FSS0208		FCD0215	FCD0215/1	FCS0215/2	FCS0215/3
YZ 250	250	2001 →	FSS0208		FCD0215	FCD0215/1	FCS0215/2	FCS0215/3
YZ 250	250	2002 → 2012	FSS0213		FCD0215	FCD0215/1	FCS0215/2	FCS0215/3
YZ 250	250	2015 →	FSS0213		FCD0215	FCD0215/1	FCS0215/2	FCS0215/3
YZ-F 250	250	2001 → 2013			FCD0251	FCD0251/1	FCS0251/2	FCS0251/3

YAMAHA

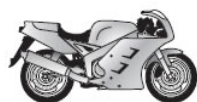
20040

FERODO
MOTORCYCLE CLUTCHES
Updated on 9th Oct 2015

FCDXXXX
FCDXXXX/1
FCSXXXX/2
FCSXXXX/3

STANDARD
HIGH PERFORMANCE
STANDARD
HIGH PERFORMANCE

FRICITION PLATES ONLY
FRICITION PLATES ONLY
FRICITION PLATES + STEEL PLATES
FRICITION PLATES + STEEL PLATES



...YAMAHA

				KIT RANGE			
				STANDARD	HIGH PERFORMANCE	STANDARD	HIGH PERFORMANCE
YZ-F 250	250	2008 → 2013		FCD0251	FCD0251/1	FCS0251/2	FCS0251/3
YZ-F 250 EFI	250	2014 → 2015		FCD0251	FCD0251/1	FCS0251/2	FCS0251/3
RD 350 LC	350	1980 →	FSS0201	FCD0208	FCD0208/1		
RD 350 LC	350	1981 → 1982	FSS0201	FCD0208	FCD0208/1		
RD 350 LC N-F all models	350	1985 → 1992	FSS0201	FCD0208	FCD0208/1		
RD 350 R	350	1992 → 1995	FSS0201	FCD0208	FCD0208/1		
RD 350 S	350	1974 → 1976	FSS0205	FCD0208	FCD0208/1		
RD 350 YPVS	350	1983 → 1984	FSS0201	FCD0208	FCD0208/1		
TT 350	350	1985 → 1995		FCD1212	FCD1212/1	FCS1212/2	FCS1212/3
XT 350	350	1985 → 1995		FCD1212	FCD1212/1	FCS1212/2	FCS1212/3
DT 400	400	1975 → 1977	FSS0201	FCD0208	FCD0208/1		
FZ 400	400	1996 →	FSS0408	FCD1204	FCD1204/1		
FZ 400 N	400	1985 →	FSS0202	FCD1213	FCD1213/1		
FZR 400 GENESIS	400	1986 →		FCD0238	FCD0238/1	FCS0238/2	FCS0238/3
FZR 400 R	400	1989 →		FCD0238	FCD0238/1	FCS0238/2	FCS0238/3
FZR 400 RR	400	1991 → 1992		FCD0238	FCD0238/1	FCS0238/2	FCS0238/3
FZR 400 RSP	400	1987 →		FCD0236	FCD0236/1	FCS0236/2	FCS0236/3
FZR 400 SP	400	1991 →		FCD0236	FCD0236/1	FCS0236/2	FCS0236/3
RD 400 C - D	400	1976 → 1977	FSS0201	FCD0208	FCD0208/1		
RD 400 E - F	400	1978 → 1979	FSS0201	FCD0208	FCD0208/1		
SRX 400	400	1985 → 1996	FSS0211	FCD1215	FCD1215/1		
WR F 400	400	1998 → 2002	FSS0208	FCD0232	FCD0232/1	FCS0232/2	FCS0232/3
XJR 400	400	1993 → 1999	FSS0211	FCD1213	FCD1213/1		
XS 400	400	1979 →	FSS0201	FCD0217	FCD0217/1		
XS 400	400	1982 →	FSS0201	FCD0260	FCD0260/1		
XS 400 C	400	1978 →	FSS0201	FCD0217	FCD0217/1		
XS 400 SE	400	1980 → 1981	FSS0201	FCD0217	FCD0217/1		
XVS 400	400	1998 → 1999	FSS0215	FCD0225	FCD0225/1		
YZ 400	400	1977 → 1979	FSS0201	FCD0217	FCD0217/1		
YZ-F 400	400	1998 → 1999	FSS0208	FCD1218	FCD1218/1		
YZ-F 400	400	1999 →	FSS0208	FCD1218	FCD1218/1		
IT 425 G	425	1980 → 2000	FSS0201	FCD0217	FCD0217/1		
WR F 426	426	2000 →	FSS0412	FCD0249	FCD0249/1	FCS0249/2	FCS0249/3
WR F 426	426	2001 → 2002	FSS0412	FCD0249	FCD0249/1	FCS0249/2	FCS0249/3
YZ-F 426	426	2000 → 2001	FSS0208	FCD0248	FCD0248/1	FCS0248/2	FCS0248/3
YZ-F 426	426	2001 → 2002	FSS0213	FCD0249	FCD0249/1	FCS0249/2	FCS0249/3
WR F 450	450	2003 →	FSS0412	FCD0249	FCD0249/1	FCS0249/2	FCS0249/3
WR F 450	450	2004 →	FSS0412	FCD1228	FCD1228/1		
WR F 450	450	2005 → 2008	FSS0213	FCD0678	FCD0678/1	FCS0678/2	FCS0678/3
WR F 450	450	2009 → 2015	FSS0213	FCD0678	FCD0678/1	FCS0678/2	FCS0678/3
YZ-F 450	450	2003 → 2004	FSS0213	FCD0248	FCD0248/1	FCS0248/2	FCS0248/3
YZ-F 450	450	2005 → 2006	FSS0210	FCD0248	FCD0248/1	FCS0248/2	FCS0248/3
YZ-F 450	450	2007 → 2009	FSS0204	FCD0215	FCD0215/1	FCS0215/2	FCS0215/3
YZ-F 450	450	2010 →	FSS0204	FCD0215	FCD0215/1	FCS0215/2	FCS0215/3
YZ-F 450	450	2011 → 2015	FSS0204	FCD1234	FCD1234/1	FCS1234/2	FCS1234/3
IT 465	465	1981 → 1982	FSS0201	FCD0217	FCD0217/1		
YZ 465	465	1980 →	FSS0201	FCD0217	FCD0217/1		
YZ 465	465	1981 →	FSS0201	FCD0217	FCD0217/1		
IT 490	490	1984 →	FSS0201	FCD0218	FCD0218/1	FCS0218/2	FCS0218/3
YZ 490	490	1981 → 1988	FSS0201	FCD0218	FCD0218/1	FCS0218/2	FCS0218/3
RD 500 LC	500	1984 → 1986	FSS0202	FCD0283			
RZV 500 R (51X)	500	1985 →	FSS0202	FCD0283			
SR 500	500	1978 → 1998	FSS0202	FCD0255	FCD0255/1		
T MAX 500 XP	500	2001 → 2011	FSS0217	FCD0290	FCD0290/1	FCS0290/2	FCS0290/3
T MAX 500 XP	500	2001 → 2011	FSS0217	FCD0290	FCD0290/1	FCS0290/2	FCS0290/3
T MAX ABS 500 XP	500	2005 → 2011	FSS0217	FCD0290	FCD0290/1	FCS0290/2	FCS0290/3
T MAX SV 500 XP	500	2011 →	FSS0217	FCD0290	FCD0290/1	FCS0290/2	FCS0290/3
T MAX SV ABS 500 XP	500	2011 →	FSS0217	FCD0290	FCD0290/1	FCS0290/2	FCS0290/3
TT 500	500	1980 → 1981	FSS0202	FCD0255	FCD0255/1		
WR 500	500	1992 → 1993	FSS0201	FCD1214	FCD1214/1		
XS 500 C	500	1976 → 1979	FSS0202	FCD1213	FCD1213/1		
XT 500	500	1976 →	FSS0202	FCD0259	FCD0259/1		
XT 500	500	1977 → 1981	FSS0202	FCD0255	FCD0255/1		
T MAX 530 XP	530	2012 → 2015	FSS0220		FCD1232/1		FCS1232/3
XV 535 DX VIRAGO	535	2001 → 2003	FSS0215	FCD0225	FCD0225/1		
XV 535 VIRAGO	535	1987 → 2001	FSS0215	FCD0225	FCD0225/1		
XJ5 550	550	1981 → 1984	FSS0202	FCD0229	FCD0229/1		
XJ5 550 MAXIM	550	1981 → 1984	FSS0202	FCD0229	FCD0229/1		
XJ5 550 SECA	550	1981 → 1983	FSS0202	FCD0229	FCD0229/1		
XT 550	550	1982 →	FSS0202	FCD1218	FCD1218/1		
XT 550	550	1983 →	FSS0202	FCD0223	FCD0223/1	FCS0223/2	FCS0223/3
XZ 550	550	1982 → 1984	FSS0202	FCD0255	FCD0255/1		
FZ 600	600	1987 → 1988	FSS0202	FCD1213	FCD1213/1		
FZ6 600 FAZER	600	2004 → 2007	FSS0203	FCD0212	FCD0212/1	FCS0212/2	FCS0212/3
FZ6 600 FAZER ABS	600	2006 → 2007	FSS0203	FCD0212	FCD0212/1	FCS0212/2	FCS0212/3
FZ6 N 600	600	2004 → 2007	FSS0203	FCD0212	FCD0212/1	FCS0212/2	FCS0212/3

FCDXXXX STANDARD FRICTION PLATES ONLY
 FCDXXXX/1 HIGH PERFORMANCE FRICTION PLATES ONLY
 FCSXXXX/2 STANDARD FRICTION PLATES + STEEL PLATES
 FCSXXXX/3 HIGH PERFORMANCE FRICTION PLATES + STEEL PLATES

FERODO
 MOTORCYCLE CLUTCHES
 Updated on 9th Oct 2015

20041

YAMAHA



...YAMAHA



KIT RANGE

STANDARD HIGH PERFORMANCE STANDARD HIGH PERFORMANCE

Model	Year	Year	Year	Code	Code	Code	Code		
FZ6 NS 600	600	2005	→	2006	FSS0203	FCD0212	FCD0212/1	FCS0212/2	FCS0212/3
FZ6 S2 600	600	2007	→	2009	FSS0203	FCD0212	FCD0212/1	FCS0212/2	FCS0212/3
FZ6 S2 600 FAZER	600	2007	→	2009	FSS0203	FCD0212	FCD0212/1	FCS0212/2	FCS0212/3
FZ6 S2 600 FAZER ABS	600	2008	→		FSS0203	FCD0212	FCD0212/1	FCS0212/2	FCS0212/3
FZR 600	600	1989	→			FCD0236	FCD0236/1	FCS0236/2	FCS0236/3
FZR 600	600	1990	→	1995		FCD0236	FCD0236/1	FCS0236/2	FCS0236/3
FZR 600 R	600	1994	→	1995	FSS0211	FCD1224	FCD1224/1		
FZS 600 FAZER	600	1998	→	1999	FSS0201	FCD0267	FCD0267/1	FCS0267/2	FCS0267/3
FZS 600 SP FAZER	600	2000	→	2003	FSS0211	FCD0267	FCD0267/1	FCS0267/2	FCS0267/3
SRX 600	600	1985	→	1991	FSS0202	FCD0223	FCD0223/1	FCS0223/2	FCS0223/3
TT 600	600	1989	→	1992	FSS0201	FCD1215	FCD1215/1		
TT 600 E	600	1993	→	2001	FSS0201	FCD1215	FCD1215/1		
TT 600 K	600	1993	→	1996	FSS0201	FCD1215	FCD1215/1		
TT 600 K (4GW)	600	1995	→	1996	FSS0201	FCD1215	FCD1215/1		
TT 600 L	600	1983	→	1984	FSS0201	FCD1215	FCD1215/1		
TT 600 N	600	1985	→	1988	FSS0201	FCD1215	FCD1215/1		
TT 600 R	600	1997	→		FSS0201	FCD1215	FCD1215/1		
TT R 600	600	1998	→	2002	FSS0201	FCD1215	FCD1215/1		
TT R 600 E	600	2004	→		FSS0201	FCD0255	FCD0255/1		
XJ N 600	600	1995	→	2003	FSS0202	FCD1213	FCD1213/1		
XJ S 600 DIVERSION	600	1992	→	2002	FSS0202	FCD1213	FCD1213/1		
XJ6 F 600 DIVERSION	600	2010	→	2011	FSS0203	FCD0229	FCD0229/1		
XJ6 FA 600 DIVERSION	600	2011	→		FSS0203	FCD0229	FCD0229/1		
XJ6 N 600	600	2009	→	2011	FSS0203	FCD0229	FCD0229/1		
XJ6 S 600 DIVERSION	600	2009	→	2011	FSS0203	FCD0229	FCD0229/1		
XT 600 4 VALVES	600	1984	→	1990		FCD0223	FCD0223/1	FCS0223/2	FCS0223/3
XT E 600	600	1990	→	2002		FCD0223	FCD0223/1	FCS0223/2	FCS0223/3
XT K 600	600	1991	→	1993		FCD0223	FCD0223/1	FCS0223/2	FCS0223/3
XT Z 600 TENERE	600	1983	→	1984		FCD0223	FCD0223/1	FCS0223/2	FCS0223/3
XT Z 600 TENERE	600	1985	→	1990		FCD0223	FCD0223/1	FCS0223/2	FCS0223/3
YZ-F 600 R THUNDER CAT	600	1996	→	2004	FSS0211	FCD0245	FCD0245/1	FCS0245/2	FCS0245/3
YZ-F 600 R6	600	1999	→	2002	FSS0203	FCD0212	FCD0212/1	FCS0212/2	FCS0212/3
YZ-F 600 R6	600	2003	→	2004	FSS0213	FCD0212	FCD0212/1	FCS0212/2	FCS0212/3
YZ-F 600 R6	600	2005	→		FSS0213	FCD0212	FCD0212/1	FCS0212/2	FCS0212/3
YZ-F 600 R6	600	2006	→	2015		FCD1222	FCD1222/1	FCS1222/2	FCS1222/3
XJ 650	650	1980	→	1984	FSS0211	FCD1213	FCD1213/1		
XJ 650 MAXIM	650	1980	→	1983	FSS0211	FCD1213	FCD1213/1		
XJ 650 MIDNIGHT	650	1981	→		FSS0211	FCD1213	FCD1213/1		
XJ 650 SECA	650	1982	→		FSS0202	FCD1213	FCD1213/1		
XJ 650 SECA	650	1983	→		FSS0202	FCD1213	FCD1213/1		
XJ 650 TURBO	650	1983	→		FSS0202	FCD1213	FCD1213/1		
XS 650	650	1975	→	1976	FSS0202	FCD0203	FCD0203/1		
XS 650	650	1977	→	1979	FSS0201	FCD0203	FCD0203/1		
XS 650	650	1980	→	1981	FSS0202	FCD0209	FCD0209/1		
XS 650 SE	650	1979	→	1980	FSS0202	FCD0209	FCD0209/1		
XVS 650 A DRAG STAR CLASSIC	650	1998	→	2007	FSS0215	FCD1229	FCD1229/1		
XVS 650 DRAG STAR	650	1997	→	2004	FSS0215	FCD1229	FCD1229/1		
MT-03 660	660	2006	→	2012		FCD1201	FCD1201/1		
SZR 660	660	1996	→	1997		FCD0223	FCD0223/1	FCS0223/2	FCS0223/3
XT R 660	660	2004	→			FCD1201	FCD1201/1		
XT X 660	660	2004	→			FCD1201	FCD1201/1		
XT Z 660 TENERE	660	1991	→	1996		FCD0223	FCD0223/1	FCS0223/2	FCS0223/3
XT Z 660 TENERE	660	2008	→	2012		FCD1201	FCD1201/1		
FZ 750	750	1985	→	1986	FSS0203	FCD0212	FCD0212/1	FCS0212/2	FCS0212/3
FZ 750 GENESIS	750	1987	→	1992	FSS0203	FCD0229	FCD0229/1		
FZR 750 (OW01)	750	1989	→	1991	FSS0203	FCD0239	FCD0239/1	FCS0239/2	FCS0239/3
FZR 750 GENESIS	750	1987	→		FSS0203	FCD0230	FCD0230/1	FCS0230/2	FCS0230/3
FZX 750	750	1988	→		FSS0203	FCD0229	FCD0229/1		
XJ 750	750	1982	→	1984	FSS0202	FCD1213	FCD1213/1		
XJ 750 SECA	750	1981	→	1983	FSS0202	FCD1213	FCD1213/1		
XS 750	750	1977	→	1979	FSS0202	FCD0217	FCD0217/1		
XS 750 SE	750	1979	→	1980	FSS0202	FCD0217	FCD0217/1		
XTZ 750 SUPER TENERE	750	1989	→	1995	FSS0203	FCD1213	FCD1213/1		
XV 750 SE	750	1981	→		FSS0211	FCD1230	FCD1230/1		
XV 750 VIRAGO	750	1992	→	1993	FSS0211	FCD1230	FCD1230/1		
YZ-F 750 R7 (OW02) road version	750	1999	→	2000		FCD0286	FCD0286/1		
YZ-F 750 RR-SP	750	1993	→	1998	FSS0203	FCD0239	FCD0239/1	FCS0239/2	FCS0239/3
FZ8 N 800	800	2011	→			FCD0296	FCD0296/1		
FZ8 NA 800	800	2011	→	2012		FCD0296	FCD0296/1		
FZ8 S 800 FAZER	800	2011	→			FCD0296	FCD0296/1		
FZ8 SA 800 FAZER	800	2011	→			FCD0296	FCD0296/1		
TDM 850	850	1991	→	1995	FSS0203	FCD1213	FCD1213/1		
TDM 850	850	1996	→	1998	FSS0203	FCD0239	FCD0239/1	FCS0239/2	FCS0239/3
TDM 850	850	1999	→	2001	FSS0213	FCD1223	FCD1223/1		
TRX 850	850	1996	→	1997	FSS0203	FCD0239	FCD0239/1	FCS0239/2	FCS0239/3
XS 850	850	1980	→		FSS0202	FCD0252	FCD0252/1		

YAMAHA

20042

FERODO
MOTORCYCLE CLUTCHES
Updated on 9th Oct 2015

FCDXXXX
FCDXXXX/1
FCSXXXX/2
FCSXXXX/3

STANDARD
HIGH PERFORMANCE
STANDARD
HIGH PERFORMANCE

FRICITION PLATES ONLY
FRICITION PLATES ONLY
FRICITION PLATES + STEEL PLATES
FRICITION PLATES + STEEL PLATES



STANDARD

HIGH PERFORMANCE



STANDARD

HIGH PERFORMANCE

...YAMAHA

					STANDARD	HIGH PERFORMANCE	STANDARD	HIGH PERFORMANCE
TDM 900	900	2002 → 2012	FSS0204	FCD1223	FCD1223/1			
TDM 900 ABS	900	2005 → 2007	FSS0204	FCD1223	FCD1223/1			
XJ 900	900	1983 → 1990	FSS0208	FCD1213	FCD1213/1			
XJ 900 F	900	1985 → 1992	FSS0203	FCD1213	FCD1213/1			
XJ S 900 DIVERSION	900	1995 → 2003	FSS0203	FCD1213	FCD1213/1			
XVS 950 A MIDNIGHT STAR	950	2009 → 2011		FCD1206	FCD1206/1			
FZ1 1000	1000	2006 → 2012		FCD1226	FCD1226/1	FCS1226/2	FCS1226/3	
FZ1 1000 FAZER	1000	2006 → 2012		FCD1226	FCD1226/1	FCS1226/2	FCS1226/3	
FZ1 1000 FAZER ABS	1000	2007 → 2012		FCD1226	FCD1226/1	FCS1226/2	FCS1226/3	
FZR 1000 EX-UP	1000	1991 → 1992	FSS0204	FCD0241	FCD0241/1	FCS0241/2	FCS0241/3	
FZR 1000 EX-UP	1000	1993 →	FSS0204	FCD0244	FCD0244/1	FCS0244/2	FCS0244/3	
FZR 1000 GENESIS	1000	1986 → 1989	FSS0203	FCD0230	FCD0230/1	FCS0230/2	FCS0230/3	
FZR 1000 R	1000	1994 → 1995	FSS0204	FCD0244	FCD0244/1	FCS0244/2	FCS0244/3	
FZR 1000 R - EX-UP	1000	1989 → 1990	FSS0204	FCD0241	FCD0241/1	FCS0241/2	FCS0241/3	
FZS 1000 FAZER	1000	2001 → 2005	FSS0204	FCD0285	FCD0285/1			
GTS 1000	1000	1993 → 1996	FSS0204	FCD0244	FCD0244/1	FCS0244/2	FCS0244/3	
XV 1000 TR 1	1000	1981 →	FSS0202	FCD1230	FCD1230/1			
XV 1000 VIRAGO	1000	1986 →	FSS0202	FCD1230	FCD1230/1			
YZ-F 1000 R THUNDER ACE	1000	1996 → 2001	FSS0204	FCD0244	FCD0244/1	FCS0244/2	FCS0244/3	
YZ-F 1000 R1	1000	1998 →		FCD1220	FCD1220/1	FCS1220/2	FCS1220/3	
YZ-F 1000 R1	1000	1999 → 2003		FCD0247	FCD0247/1	FCS0247/2	FCS0247/3	
YZ-F 1000 R1	1000	2004 → 2006		FCD1226	FCD1226/1	FCS1226/2	FCS1226/3	
YZ-F 1000 R1	1000	2007 → 2008		FCD1225	FCD1225/1	FCS1225/2	FCS1225/3	
YZ-F 1000 R1	1000	2009 → 2012		FCD1227	FCD1227/1	FCS1227/2	FCS1227/3	
YZ-F 1000 R1 ABS	1000	2012 → 2014		FCD1227	FCD1227/1	FCS1227/2	FCS1227/3	
BT 1100 BULLDOG	1100	2002 → 2006		FCD1230	FCD1230/1			
FJ 1100 J	1100	1984 → 1985		FCD0219	FCD0219/1			
XS 1100	1100	1978 → 1980	FSS0202	FCD0204	FCD0204/1			
XS 1100 S	1100	1981 →	FSS0202	FCD0204	FCD0204/1			
XV 1100 VIRAGO	1100	1986 → 2000		FCD1230	FCD1230/1			
XVS 1100 A DRAG STAR CLASSIC	1100	2000 → 2006		FCD1230	FCD1230/1			
XVS 1100 DRAG STAR	1100	1999 → 2004		FCD1230	FCD1230/1			
FJ 1200	1200	1986 → 1991		FCD0219	FCD0219/1			
FJ 1200 ABS	1200	1991 → 1995		FCD0219	FCD0219/1			
V-MAX 1200 (YMX 12N)	1200	1991 → 2003		FCD0226	FCD0226/1			
XJR 1200	1200	1995 → 1997		FCD0219	FCD0219/1			
XTZ 1200 SUPER TENERE	1200	2010 → 2013		FCD0293	FCD0293/1			
XVZ 1200 12 TD	1200	1988 →		FCD0226	FCD0226/1			
FJR 1300 A	1300	2013 →		FCD0293	FCD0293/1			
FJR 1300 ABS	1300	2003 → 2012		FCD0293	FCD0293/1			
FJR 1300 AS	1300	2013 →		FCD0293	FCD0293/1			
XJR 1300	1300	1999 → 2011		FCD0219	FCD0219/1			
XJR 1300 SP	1300	2001 →		FCD0219	FCD0219/1			
XVS 1300 A MIDNIGHT STAR	1300	2007 → 2011		FCD0293	FCD0293/1			
XVZ 1300 ROYAL STAR	1300	1996 → 2000		FCD0226	FCD0226/1			
XVZ 1300 TD	1300	1989 → 1990		FCD0226	FCD0226/1			
XVZ 1300 TF ROYAL STAR VENTURE	1300	2000 →		FCD0226	FCD0226/1			
XV 1600 ROAD STAR SILVERADO	1600	1999 → 2002		FCD0287	FCD0287/1			
XV 1600 WILD STAR SILVERADO	1600	1999 → 2004		FCD0287	FCD0287/1			
MT-01 1670	1670	2005 → 2006		FCD0298	FCD0298/1			
MT-01 1670	1670	2007 →		FCD0298	FCD0298/1			
MT-01S 1670	1670	2009 →		FCD0298	FCD0298/1			
XV 1670 ROYALS STAR WARRIOR	1670	2002 →		FCD0287	FCD0287/1			
V MAX 1700	1700	2009 → 2012		FCD1207	FCD1207/1			
XV 1700 PC ROAD STAR WARRIOR	1700	2003 → 2005		FCD0294	FCD0294/1			
XV 1900 A MIDNIGHT STAR	1900	2006 → 2012		FCD0299	FCD0299/1			

YAMAHA ATV

YFM 50 RAPTOR	50	2004 → 2009		FCD0227			
YFM 80 BADGER	80	1992 → 2001		FCD0227			
YFM 80 GRIZZLY	80	2005 → 2008		FCD0227			
YFM 80 RAPTOR	80	2002 → 2008		FCD0227			
YFM 200 (MOTO 4)	200	1985 → 1990		FCD0220	FCD0220/1	FCS0220/2	FCS0220/3
YFS 200 BLASTER	200	1991 → 2002	FSS0206	FCD0235	FCD0235/1	FCS0235/2	FCS0235/3
YFS 200 BLASTER	200	2003 → 2006	FSS0206	FCD0235	FCD0235/1	FCS0235/2	FCS0235/3
YTM 200 TRI MOTO	200	1989 →		FCD1217	FCD1217/1		
YFM 225 MOTO 4	225	1986 → 1988		FCD1219	FCD1219/1		
YTM 225 TRI MOTO	225	1985 → 1986	FSS0209	FCD0220	FCD0220/1	FCS0220/2	FCS0220/3
YFB 250 D/E/F TIMBERWOLF	250	1992 → 1994	FSS0209	FCD0220	FCD0220/1	FCS0220/2	FCS0220/3
YFB 250 FW TIMBERWOLF	250	1994 → 2000	FSS0209	FCD0220	FCD0220/1	FCS0220/2	FCS0220/3
YFM 250 AN BRUIN 2x4	250	2005 → 2006	FSS0209	FCD0220	FCD0220/1	FCS0220/2	FCS0220/3
YFM 250 BEAR TRACKER	250	1999 → 2004	FSS0209	FCD0220	FCD0220/1	FCS0220/2	FCS0220/3
YFM 250 BIG BEAR	250	2007 → 2010	FSS0209	FCD0220	FCD0220/1	FCS0220/2	FCS0220/3
YFM 250 RX/RV Raptor	250	2008 → 2009		FCD1202	FCD1202/1	FCS1202/2	FCS1202/3
YFM 250 W/A/B	250	1990 → 1992	FSS0209	FCD0220	FCD0220/1	FCS0220/2	FCS0220/3

FCDXXXX
FCDXXXX/1
FCSXXXX/2
FCSXXXX/3

STANDARD
HIGH PERFORMANCE
STANDARD
HIGH PERFORMANCE

FRICITION PLATES ONLY
FRICITION PLATES ONLY
FRICITION PLATES + STEEL PLATES
FRICITION PLATES + STEEL PLATES

FERODO

MOTORCYCLE CLUTCHES
Updated on 9th Oct 2015

20043



KIT RANGE



HIGH PERFORMANCE



HIGH PERFORMANCE

...YAMAHA ATV

					STANDARD	HIGH PERFORMANCE	STANDARD	HIGH PERFORMANCE
YZZ 250 TRI MOTO	250	1985 → 1986	FSS0201	FCD0218	FCD0218/1	FCS0218/2	FCS0218/3	
YFM 350 ERD/ERE/ERF	350	1992 → 1995		FCD1231	FCD1231/1	FCS1231/2	FCS1231/3	
YFM 350 FW	350	1985 → 1995		FCD1231	FCD1231/1	FCS1231/2	FCS1231/3	
YFM 350 FW BIG BEAR	350	1987 → 1988		FCD1231	FCD1231/1	FCS1231/2	FCS1231/3	
YFM 350 FW BIG BEAR	350	1996 → 1998		FCD0221	FCD0221/1	FCS0221/2	FCS0221/3	
YFM 350 FX WOLVERINE	350	1995 → 2004		FCD0208	FCD0208/1			
YFM 350 R RAPTOR	350	2004 → 2009		FCD1231	FCD1231/1	FCS1231/2	FCS1231/3	
YFM 350 UH/UJ/UK	350	1996 → 1998		FCD0221	FCD0221/1	FCS0221/2	FCS0221/3	
YFM 350 X WARRIOR	350	1992 → 2004		FCD1231	FCD1231/1	FCS1231/2	FCS1231/3	
YFU 350 TW/IW PRO HAULER	350	1989 → 1990	FSS0209	FCD0220	FCD0220/1	FCS0220/2	FCS0220/3	
YFZ 350 BANSHEE	350	1987 → 2009	FSS0201	FCD1211	FCD1211/1	FCS1211/2	FCS1211/3	
YFM 400 FP BIG BEAR 4WD	400	2003 → 2004		FCD0221	FCD0221/1	FCS0221/2	FCS0221/3	
YFM 400 FW KODIAK	400	1993 → 1999		FCD0221	FCD0221/1	FCS0221/2	FCS0221/3	
YZ-F 450	450	2004 → 2005	FSS0203	FCD0295	FCD0295/1	FCS0295/2	FCS0295/3	
YZ-F 450	450	2006 → 2010	FSS0210	FCD0295	FCD0295/1	FCS0295/2	FCS0295/3	
YFM 660 RAPTOR RN	660	2001 → 2005		FCD0223	FCD0223/1	FCS0223/2	FCS0223/3	
YFM 700 RAPTOR	700	2006 → 2009	FSS0204	FCD0295	FCD0295/1	FCS0295/2	FCS0295/3	
YFM 700 RAPTOR	700	2010 → 2015	FSS0204	FCD0295	FCD0295/1	FCS0295/2	FCS0295/3	

YAMAHA ATV

20044

FERODO™

MOTORCYCLE CLUTCHES



Scooter centrifugal Applications

FERODO™

MOTORCYCLE CLUTCHES



FERODO KIT

CLUTCH SHOE

CLUTCH BELL

APRILIA

AMICO	50	1990 → 1991		FCC0503	FCB0001
AMICO all models	50	1992 → 1995		FCC0503	FCB0001
AMICO all models	50	1996 →		FCC0535	FCB0018
GULLIVER	50	1995 → 1996		FCC0503	FCB0001
GULLIVER	50	1997 → 1998		FCC0535	FCB0018
RALLY	50	1995 →		FCC0503	FCB0001
RALLY liquid cooled	50	1996 →		FCC0535	FCB0018
SCARABEO	50	1994 → 1995		FCC0503	FCB0001
SCARABEO 4T	50	2002 → 2006		FCC0522	FCB0016
SCARABEO 4T RESTYLING	50	2006 → 2007		FCC0522	FCB0016
SCARABEO STREET	50	2002 → 2006		FCC0522	FCB0016
SCARABEO STREET RESTYLING	50	2006 → 2007		FCC0522	FCB0016
SONIC GP	50	1997 →		FCC0535	FCB0018
SONIC SPICE	50	1997 →		FCC0535	FCB0018
SR NETSCAPER	50	1998 →		FCC0535	FCB0018
SR all models	50	1993 → 1995		FCC0503	FCB0001
SR RACING	50	1997 → 1999		FCC0535	FCB0018
SR STEALTH	50	1997 → 1999		FCC0535	FCB0018
SR WWW	50	1997 → 2001		FCC0535	FCB0018
SCARABEO (motore Yamaha)	100	2000 →		FCC0520	FCB0014
SCARABEO 4T	100	2001 → 2004		FCC0522	FCB0016
SCARABEO 4T RESTYLING	100	2006 → 2012		FCC0522	FCB0016
SCARABEO NET	100	2010 →		FCC0522	FCB0016
ATLANTIC	125	2003 → 2006	FCG0550	FCC0550	FCB0031
LEONARDO	125	1995 → 2004	FCG0514	FCC0514	FCB0015
SCARABEO (motore Rotax)	125	1999 → 2003	FCG0514	FCC0514	FCB0015
SPORT CITY	125	2004 → 2005	FCG0550	FCC0550	FCB0031
SPORT CITY EU 3	125	2006 → 2008	FCG0550	FCC0550	FCB0031
SR	125	1999 →	FCG0538	FCC0538	FCB0008
LEONARDO	150	1997 → 2004	FCG0514	FCC0514	FCB0015
SCARABEO	150	1998 → 2003	FCG0514	FCC0514	FCB0015
SCARABEO GT	150	2004 →	FCG0514	FCC0514	FCB0015
SR	150	1999 →	FCG0538	FCC0538	FCB0008
ARECIFE (spagna)	200	2003 →		FCC0558	FCB0031
ATLANTIC	200	2003 → 2005	FCG0558	FCC0558	FCB0031
SCARABEO	200	2001 → 2003	FCG0514	FCC0514	FCB0015
SCARABEO GT	200	2002 →	FCG0514	FCC0514	FCB0015
SPORT CITY	200	2004 → 2005	FCG0558	FCC0558	FCB0031
SPORT CITY EU3	200	2006 → 2008	FCG0558	FCC0558	FCB0031
ATLANTIC	250	2003 → 2006	FCG0557	FCC0557	FCB0031
LEONARDO	250	1999 → 2001	FCG0539	FCC0539	FCB0025
LEONARDO ST	250	2001 → 2004	FCG0539	FCC0539	FCB0025
SPORT CITY EU3	250	2006 →	FCG0557	FCC0557	FCB0031
ATLANTIC SPRINT	400	2005 → 2008	FCG0549	FCC0549	FCB0011
SCARABEO LIGHT	400	2006 → 2008	FCG0549	FCC0549	FCB0011
ARECIFE (spagna)	500	2002 → 2004	FCG0549	FCC0549	FCB0011
ATLANTIC	500	2002 → 2004	FCG0549	FCC0549	FCB0011
ATLANTIC SPRINT	500	2005 → 2008	FCG0549	FCC0549	FCB0011
SCARABEO	500	2002 → 2006	FCG0549	FCC0549	FCB0011
SCARABEO CLASS	500	2010 →	FCG0549	FCC0549	FCB0011
SCARABEO IE	500	2007 →	FCG0549	FCC0549	FCB0011
SCARABEO LIGHT	500	2006 → 2008	FCG0549	FCC0549	FCB0011

ATALA

CAROSSELLO	50	1997 →		FCC0504	
------------	----	--------	--	---------	--

BENELLI

491 all models	50	1997 →		FCC0535	FCB0018
K2 all models	50	1998 →		FCC0535	FCB0018
K2	100	1999 →		FCC0520	FCB0014
VELVET	150	1999 → 2004	FCG0539	FCC0536	FCB0025
VELVET TOURING	150	2002 → 2003	FCG0539	FCC0536	FCB0025

BETA

ARK	50	→ 1995		FCC0503	FCB0001
ARK all models	50	1996 →		FCC0535	FCB0018
CHRONO	50	1992 → 1994		FCC0503	FCB0001
CHRONO ruota da 13	50	1994 →		FCC0535	FCB0018
QUADRA	50	1995 → 1996		FCC0503	FCB0001
TEMPO	50	1992 → 1996		FCC0503	FCB0001

21000**FERODO**MOTORCYCLE CLUTCHES
Updated on 9th Oct 2015



FERODO KIT

CLUTCH SHOE

CLUTCH BELL

BS VILLA

DIO SP	50	1993 →		FCC0521	FCB0006
GZ	50	1993 →		FCC0504	
ZX	50	1993 →		FCC0521	FCB0006

CAGIVA

CITY	50	1992 → 1994		FCC0522	FCB0016
------	----	-------------	--	---------	---------

DERBI

ATLANTIS 02	50	1999 →		FCC0522	FCB0016
ATLANTIS 02 4T	50	2004 →		FCC0522	FCB0016
ATLANTIS 02 BULLET	50	2003 → 2005		FCC0522	FCB0016
ATLANTIS 02 H20	50	2001 →		FCC0522	FCB0016
ATLANTIS 02 RED BULLET	50	2004 →		FCC0522	FCB0016
ATLANTIS 02 TWO CHIC	50	2005 →		FCC0522	FCB0016
ATLANTIS 02 WAVE	50	2001 →		FCC0522	FCB0016
ATLANTIS CITY	50	2006 →		FCC0522	FCB0016
GP1	50	2001 → 2004		FCC0522	FCB0016
GP1 EURO2	50	2005 →		FCC0522	FCB0016
HUNTER	50	1995 →		FCC0505	FCB0014
BOULEVARD	125	2002 → 2004	FCG0523	FCC0523	FCB0019
PREDATOR	125	1999 →	FCG0523	FCC0523	FCB0019
ATLANTIS	150	2004 →	FCG0523	FCC0523	FCB0019
BOULEVARD	150	2002 → 2004	FCG0523	FCC0523	FCB0019
PREDATOR	180	1999 →	FCG0523	FCC0523	FCB0019
BOULEVARD	200	2005 →	FCG0556	FCC0556	FCB0019

GARELLI

PONY SR	50	1992 →		FCC0503	FCB0001
SR	50	1992 →		FCC0503	FCB0001

GILERA

DNA	50	2000 → 2004		FCC0522	FCB0016
DNA	50	2005 → 2007		FCC0522	FCB0016
DNA GP EXPERIENCE	50	2003 → 2004		FCC0522	FCB0016
EASY MOVING	50	1995 →		FCC0522	FCB0016
RUNNER	50	1996 →		FCC0522	FCB0016
RUNNER PURE JET	50	2002 → 2006		FCC0522	FCB0016
RUNNER PURE JET ST	50	2008 →		FCC0522	FCB0016
RUNNER SP	50	1998 →		FCC0522	FCB0016
RUNNER SP	50	2002 → 2006		FCC0522	FCB0016
RUNNER SP RACE	50	2006 →		FCC0522	FCB0016
RUNNER SP SC	50	2006 → 2007		FCC0522	FCB0016
RUNNER SP ST	50	2008 →		FCC0522	FCB0016
STALKER (post freno a disco)	50	1997 → 2004		FCC0522	FCB0016
STALKER (post freno a tamburo)	50	1997 → 2004		FCC0522	FCB0016
STORM	50	1994 → 1995		FCC0522	FCB0016
TYPHOON	50	1993 →		FCC0522	FCB0016
TYPHOON	80	1993 →		FCC0522	FCB0016
DNA	125	2001 →	FCG0523	FCC0523	FCB0019
NEXUS EURO 3	125	2007 →	FCG0550	FCC0550	FCB0031
NEXUS IE EURO 3	125	2008 → 2011	FCG0550	FCC0550	FCB0031
RUNNER	125	1997 → 1999	FCG0516	FCC0516	FCB0008
RUNNER FX - FXR	125	1997 → 2002	FCG0516	FCC0516	FCB0008
RUNNER SP	125	1999 →	FCG0516	FCC0516	FCB0008
RUNNER VX / VXR 4T	125	2001 → 2004	FCG0523	FCC0523	FCB0019
RUNNER VX 4T	125	2005 → 2006	FCG0550	FCC0550	FCB0031
RUNNER VX 4T RACE	125	2006 →	FCG0550	FCC0550	FCB0031
RUNNER VX 4T SC	125	2006 → 2007	FCG0550	FCC0550	FCB0031
RUNNER VX 4T ST EURO 3	125	2008 → 2012	FCG0550	FCC0550	FCB0031
TYPHOON	125	1995 → 1998	FCG0516	FCC0516	FCB0008
TYPHOON X - XR	125	1999 → 2000	FCG0516	FCC0516	FCB0008
DNA	180	2001 →	FCG0544	FCC0544	FCB0019
RUNNER FXR	180	1998 →	FCG0538	FCC0538	FCB0008
RUNNER SP	180	1999 →	FCG0538	FCC0538	FCB0008
RUNNER VXR	180	2001 → 2004	FCG0544	FCC0544	FCB0019
RUNNER VX / VXR 4T	200	2002 →	FCG0558	FCC0558	FCB0031
RUNNER VXR 4T	200	2005 → 2006	FCG0558	FCC0558	FCB0031
RUNNER VXR 4T RACE	200	2006 →	FCG0558	FCC0558	FCB0031
RUNNER VXR 4T ST EURO 3	200	2008 →	FCG0558	FCC0558	FCB0031
RUNNER VXR EURO 3	200	2007 →	FCG0558	FCC0558	FCB0031
NEXUS EURO 3	250	2006 →	FCG0557	FCC0557	FCB0031

GILERA



FERODO KIT

CLUTCH SHOE

CLUTCH BELL

...GILERA

NEXUS SP EURO 3	250	2006 → 2007	FCG0557	FCC0557	FCB0031
NEXUS	500	2003 → 2005	FCG0537	FCC0537	FCB0011
NEXUS EURO 3	500	2006 → 2011	FCG0549	FCC0549	FCB0011
NEXUS SP EURO 3	500	2006 → 2007	FCG0549	FCC0549	FCB0011

HONDA

DIO ZX	50	1992 →		FCC0521	FCB0006
LIFE DIO	50	1994 →		FCC0521	FCB0006
LIFE DIO ZX	50	1994 →		FCC0521	FCB0006
NH LEAD	50	→ 1986		FCC0109	FCB0006
NH LEAD	50	1987 → 1993		FCC0109	FCB0006
NH LEAD	50	1994 →		FCC0109	FCB0006
NH LEAD (disk)	50	1988 → 1992		FCC0101	
SA ELITE LX	50	1988 → 1990		FCC0521	FCB0006
SA J VISION MET-IN	50	1988 → 1990		FCC0521	FCB0006
SAA VISION	50	1993 →		FCC0521	FCB0006
SFX	50	1995 →		FCC0521	FCB0006
SH	50	1984 → 1987		FCC0101	
SH	50	1988 → 1994		FCC0101	
SH FIFTY	50	1996 →		FCC0101	
SJ BALI	50	1993 →		FCC0521	FCB0006
SKY	50	1997 →		FCC0521	FCB0006
SRX SHADOW	50	1998 →		FCC0521	FCB0006
SUPER DIO SR	50	1991 → 1992		FCC0521	FCB0006
SUPER DIO ZX	50	1992 →		FCC0521	FCB0006
X8R S SZX	50	1998 →		FCC0521	FCB0006
X8R X SZX	50	1998 →		FCC0521	FCB0006
YUPY	75	1991 →		FCC0101	
NH LEAD	80	1983 → 1984		FCC0101	
NH LEAD	80	1985 → 1988		FCC0101	
NH LEAD	80	1986 → 1987		FCC0101	
LEAD L - M	90	→		FCC0105	FCB0023
@ NES	125	2009 →	FCG0108	FCC0108	FCB0028
@ NES (tambuto post/rear drum)	125	2000 →	FCG0108	FCC0108	FCB0028
GY	125	→	FCG0108	FCC0108	FCB0028
NH LEAD	125	1988 →		FCC0104	
PANTHEON FES	125	1998 → 2002	FCG0102	FCC0102	FCB0009
SH	125	2000 → 2008	FCG0108	FCC0108	FCB0028
SH	125	2013 →	FCG0108	FCC0108	FCB0028
SH i	125	2009 → 2012	FCG0108	FCC0108	FCB0028
@ NES	150	2009 →	FCG0108	FCC0108	FCB0028
@ NES (tambuto post/rear drum)	150	2000 →	FCG0108	FCC0108	FCB0028
PANTHEON FES	150	1998 → 2002	FCG0102	FCC0102	FCB0009
SH	150	2000 → 2008	FCG0108	FCC0108	FCB0028
SH	150	2013 →	FCG0108	FCC0108	FCB0028
SH i	150	2009 → 2012	FCG0108	FCC0108	FCB0028
CN	250	1988 → 1992	FCG0106	FCC0106	FCB0012
CN ELITE	250	1985 → 1990	FCG0106	FCC0106	FCB0012
CN HELIX	250	1986 → 1987	FCG0106	FCC0106	FCB0012
FORESIGHT FES	250	1997 → 2007	FCG0107	FCC0107	FCB0009
JAZZ	250	2001 → 2004	FCG0107	FCC0107	FCB0009
SH i	300	2006 → 2014	FCG0107	FCC0107	FCB0009
SH i ABS	300	2006 →	FCG0107	FCC0107	FCB0009

HSC

HSC 01	50	1992 →		FCC0521	FCB0006
SR DIO	50	1992 →		FCC0521	FCB0006
ZR	50	1992 →		FCC0521	FCB0006
ZX DIO	50	1992 →		FCC0521	FCB0006

ITALJET

BAZOOKA 2	50	1992 →		FCC0503	FCB0001
DRAGSTER	50	1997 →		FCC0535	FCB0018
FORMULA	50	1994 →		FCC0504	
PISTA	50	1992 →		FCC0503	FCB0001
REPORTER	50	1990 →		FCC0503	FCB0001
SCOOP	50	1993 →		FCC0503	FCB0001
TORPEDO	50	1997 →		FCC0504	
VELOCIFERO	50	1994 →		FCC0504	
YANKEE 8	50	1994 →		FCC0503	FCB0001
MILLENIUM	150	2001 →	FCG0536	FCC0536	FCB0025



FERODO KIT

CLUTCH SHOE

CLUTCH BELL

KYMCO

DJW	50	1994 →		FCC0521	FCB0006
DJX	50	1992 →		FCC0521	FCB0006
DJY	50	1993 →		FCC0521	FCB0006
HEROISM	50	1995 → 1996		FCC0521	FCB0006
K 12	50	1995 →		FCC0521	FCB0006
KB	50	1994 →		FCC0521	FCB0006
SNIPER DD	50	1994 →		FCC0521	FCB0006
AGILITY 4T	125	2005 → 2008	FCG0108	FCC0108	FCB0028
AGILITY R 16	125	2008 → 2009	FCG0108	FCC0108	FCB0028
AGILITY RS	125	2009 →	FCG0108	FCC0108	FCB0028
DINK	125	1996 → 2005	FCG0540	FCC0540	FCB0022
GRAND DINK	125	2001 → 2004		FCC0108	
HEROISM	125	1995 → 1997	FCG0541	FCC0541	FCB0028
LIKE	125	2009 →	FCG0108	FCC0108	FCB0028
MOVIE	125	1999 → 2000	FCG0108	FCC0108	FCB0028
MOVIE EURO 3	125	2006 → 2007	FCG0108	FCC0108	FCB0028
MOVIE XL	125	2001 → 2004	FCG0108	FCC0108	FCB0028
PEOPLE	125	1999 → 2000	FCG0108	FCC0108	FCB0028
PEOPLE EURO 2	125	2003 → 2004	FCG0108	FCC0108	FCB0028
PEOPLE EURO 3	125	2007 →	FCG0108	FCC0108	FCB0028
PEOPLE S	125	2005 → 2006	FCG0108	FCC0108	FCB0028
PEOPLE S DD	125	2007 → 2008	FCG0108	FCC0108	FCB0028
SUPER 8	125	2008 → 2009	FCG0108	FCC0108	FCB0028
VIVIO	125	2000 →	FCG0108	FCC0108	FCB0028
AGILITY R 16	150	2008 →	FCG0108	FCC0108	FCB0028
DINK LX	150	1998 → 2000	FCG0540	FCC0540	FCB0022
GRAND DINK	150	2001 → 2004		FCC0108	
HEROISM	150	1995 → 1997	FCG0541	FCC0541	FCB0028
MOVIE EURO 3	150	2006 → 2007	FCG0108	FCC0108	FCB0028
MOVIE XL	150	2001 → 2004	FCG0108	FCC0108	FCB0028
PEOPLE	150	1999 → 2006	FCG0108	FCC0108	FCB0028
PEOPLE EURO 3	150	2007 → 2008	FCG0108	FCC0108	FCB0028
VIVIO	150	2001 →	FCG0108	FCC0108	FCB0028
AGILITY i R 16	200	2009 → 2011		FCC0108	
DOWNTOWN I	200	2010 →	FCG0563	FCC0563	FCB0044
LIKE i	200	2009 →	FCG0108	FCC0108	FCB0028
PEOPLE GTI	200	2010 →	FCG0563	FCC0563	FCB0044
PEOPLE S	200	2005 → 2006	FCG0108	FCC0108	FCB0028
PEOPLE S I	200	2007 →	FCG0108	FCC0108	FCB0028
B&W BET & WIN	250	2000 → 2002	FCG0543	FCC0543	FCB0029
B&W EURO 2	250	2003 →	FCG0543	FCC0543	FCB0029
GRAND DINK	250	2001 → 2002	FCG0543	FCC0543	FCB0029
GRAND DINK EURO 2	250	2003 → 2004	FCG0543	FCC0543	FCB0029
PEOPLE	250	2003 → 2005	FCG0543	FCC0543	FCB0029
PEOPLE S	250	2006 →	FCG0543	FCC0543	FCB0029
PEOPLE S i	250	2007 →	FCG0543	FCC0543	FCB0029
XCITING	250	2005 →	FCG0543	FCC0543	FCB0029
XCITING i	250	2006 →	FCG0543	FCC0543	FCB0029
YUP	250	2003 →	FCG0543	FCC0543	FCB0029
DOWNTOWN ABS	300	2010 → 2011	FCG0563	FCC0563	FCB0044
DOWNTOWN I	300	2009 → 2011	FCG0563	FCC0563	FCB0044
DOWNTOWN I ABS	300	2010 → 2011	FCG0563	FCC0563	FCB0044
K-XCT I ABS	300	2012 → 2014	FCG0563	FCC0563	FCB0044
PEOPLE GTI	300	2010 → 2011	FCG0563	FCC0563	FCB0044
PEOPLE GTI ABS	300	2012 →	FCG0563	FCC0563	FCB0044
PEOPLE S I	300	2008 →	FCG0543	FCC0543	FCB0029
XCITING I	300	2008 →	FCG0543	FCC0543	FCB0029
XCITING I R	300	2008 →	FCG0543	FCC0543	FCB0029

LEM

FLASH	50	1994 →		FCC0503	FCB0001
GHIBLI	50	1990 →		FCC0503	FCB0001
TORNADO	50	→		FCC0503	FCB0001

MALAGUTI

CENTRO 4T	50	2008 →		FCC0535	FCB0018
CENTRO SL	50	1994 → 1998		FCC0503	FCB0001
CR1 CROSSER	50	1997 → 1998		FCC0504	
ET all models	50	1990 → 1994		FCC0553	
F 10	50	1992 → 1993		FCC0503	FCB0001
F 10	50	1994 → 1998		FCC0503	FCB0001
F 10 AC	50	2008 →		FCC0535	FCB0018
F 10 RESTYLING	50	2001 → 2006		FCC0535	FCB0018
F 12 PHANTOM Twin disk	50	1998 →		FCC0535	FCB0018



FERODO KIT

CLUTCH SHOE

CLUTCH BELL

...MALAGUTI

F 12 PHANTOM	50	1994 → 1998		FCC0503	FCB0001
F 12 PHANTOM LC	50	1994 → 1998		FCC0535	FCB0018
F 12 PHANTOM LC	50	1999 → 2000		FCC0535	FCB0018
F 12 PHANTOM LC RESYLING	50	2003 → 2004		FCC0535	FCB0018
F 12 PHANTOM RESYLING	50	2001 → 2004		FCC0535	FCB0018
F 12 R PHANTOM LC	50	2001 → 2005		FCC0535	FCB0018
F 12 R PHANTOM LC	50	2007 → 2010		FCC0535	FCB0018
F 15 FIREFOX Twin disk	50	1998 →		FCC0503	FCB0001
F 15 FIREFOX	50	1996 → 1997		FCC0535	FCB0018
GRIZZLY RCX 10 (motore S5N)	50	1990 → 2000		FCC0553	
GRIZZLY RCX 10 (motore S6)	50	2001 → 2002		FCC0554	
GRIZZLY RCX 12 (motore S5NF)	50	1990 → 2000		FCC0553	
GRIZZLY RCX 12 (motore S6)	50	2001 → 2002		FCC0554	
YESTERDAY	50	1998 →		FCC0535	FCB0018
BLOG	125	2009 → 2011	FCG0108	FCC0108	FCB0028
CENTRO IE	125	2008 → 2009	FCG0108	FCC0108	FCB0028
CENTRO SL	125	2009 → 2011	FCG0108	FCC0108	FCB0028
CIAK	125	2000 → 2001	FCG0108	FCC0108	FCB0028
CIAK RESTYLING	125	2003 →	FCG0108	FCC0108	FCB0028
CIAK MASTER	125	2004 →	FCG0108	FCC0108	FCB0028
CIAK MASTER EURO 3	125	2006 →	FCG0108	FCC0108	FCB0028
F 18 WARRIOR	125	2000 → 2002	FCG0540	FCC0540	FCB0022
MADISON	125	1999 → 2002	FCG0511	FCC0511	FCB0007
MADISON 3	125	2006 → 2009	FCG0553	FCC0511	FCB0030
CIAK	150	2000 → 2002	FCG0108	FCC0108	FCB0028
CIAK MASTER	150	2003 →	FCG0108	FCC0108	FCB0028
CIAK RESTYLING EURO 2	150	2004 →	FCG0108	FCC0108	FCB0028
F 18 WARRIOR	150	2000 → 2002	FCG0540	FCC0540	FCB0022
MADISON T	150	1999 → 2001	FCG0536	FCC0536	FCB0025
BLOG	160	2009 → 2011	FCG0108	FCC0108	FCB0028
CENTRO IE	160	2008 → 2009	FCG0108	FCC0108	FCB0028
CENTRO SL	160	2009 → 2011	FCG0108	FCC0108	FCB0028
MADISON R	180	2001 → 2002	FCG0544	FCC0544	FCB0019
CIAK MASTER EURO 2	200	2006 →	FCG0108	FCC0108	FCB0028
MADISON	200	1999 → 2001	FCG0532	FCC0532	FCB0019
MADISON S RESTYLING	200	2002 → 2003	FCG0532	FCC0532	FCB0019
PHANTOM MAX	200	2003 →	FCG0532	FCC0532	FCB0019
MADISON RS RESTYLING	250	2004 →	FCG0557	FCC0557	FCB0031
MADISON S	250	1999 → 2001	FCG0539	FCC0539	FCB0025
PASSWORD	250	2005 → 2006	FCG0517	FCC0517	FCB0003
PASSWORD EU 3	250	2007 → 2008	FCG0557	FCC0557	FCB0031
MADISON K	400	2002 →	FCG0506	FCC0506	FCB0005
MADISON K RESTYLING	400	2002 → 2004	FCG0506	FCC0506	FCB0005
SPIDERMAX GT	500	2004 → 2005	FCG0549	FCC0549	FCB0011
SPIDERMAX GT EURO 3	500	2006 →	FCG0549	FCC0549	FCB0011

MBK

ACTIVE	50	1990 →		FCC0503	FCB0001
BOOSTER	50	→ 1994		FCC0503	FCB0001
CHAMP	50	→		FCC0503	FCB0001
CR Z TARGET	50	1991 → 1995		FCC0503	FCB0001
CW BOOSTER	50	2001 →		FCC0535	FCB0018
CW BOOSTER NG	50	1999 →		FCC0535	FCB0018
CW BOOSTER SPIRIT	50	1996 → 1998		FCC0535	FCB0018
CW BOOSTER SPIRIT	50	1999 →		FCC0535	FCB0018
CW L BOOSTER	50	2001 →		FCC0535	FCB0018
CW R BOOSTER ROAD	50	1994 → 1995		FCC0535	FCB0018
CW RS BOOSTER NG	50	1995 → 1998		FCC0535	FCB0018
CW RS BOOSTER NG	50	1999 → 2003		FCC0535	FCB0018
CW RSP BOOSTER ROCKET	50	1997 → 1998		FCC0535	FCB0018
CW RSX TRACK	50	1996 → 1998		FCC0503	FCB0001
NITRO	50	1997 →		FCC0535	FCB0018
OVETTO	50	1997 →		FCC0535	FCB0018
ROCKET	50	1996 →		FCC0503	FCB0001
SORRISO	50	1992 → 1996		FCC0503	FCB0001
SORRISO	50	1997 →		FCC0535	FCB0018
YA R FORTE	50	1994 → 1996		FCC0505	FCB0014
YE EVOLIS	50	1992 → 1995		FCC0505	FCB0014
YM FIZZ	50	1994 → 1995		FCC0505	FCB0014
YN R OVETTO	100	2000 →		FCC0520	FCB0014
YQ NITRO	100	2000 → 2002		FCC0520	FCB0014
YW BOOSTER	100	1999 → 2001		FCC0520	FCB0014
XN DOODO	125	2000 → 2001	FCG0511	FCC0511	FCB0007
XQ THUNDER	125	2001 →	FCG0511	FCC0511	FCB0007
YP SKYLINER	125	1998 → 2000	FCG0511	FCC0511	FCB0007



FERODO KIT

CLUTCH SHOE

CLUTCH BELL

...MBK

YP SKYLINER	125	2001 →	FCG0511	FCC0511	FCB0007
XN DOODO	150	2001 →	FCG0536	FCC0536	FCB0025
XQ THUNDER	150	2001 →	FCG0536	FCC0536	FCB0025
YP SKYLINER	150	2000 → 2002	FCG0536	FCC0536	FCB0025
YP E SKYLINER	180	2003 →	FCG0536	FCC0536	FCB0025
YP SKYLINER	250	2000 → 2001	FCG0539	FCC0539	FCB0025
YP SKYLINER	250	2002 → 2003	FCG0517	FCC0517	FCB0003
KILIBRE	300	2003 → 2006	FCG0517	FCC0517	FCB0003

MOTRON

SYNCRO	50	1998 →		FCC0503	FCB0001
THUNDER	50	1995 →		FCC0503	FCB0001

PEUGEOT

BUXY	50	1994 →		FCC0521	FCB0006
BUXY RS	50	1994 →		FCC0521	FCB0006
METROPOLIS	50	→		FCC0101	
SPEEDAKE	50	1995 →		FCC0521	FCB0006
SPEEDFIGHT (Pinza Brembo)	50	1996 →		FCC0521	FCB0006
SPEEDFIGHT (raff. acqua pinze AJP)	50	1998 →		FCC0521	FCB0006
SPEEDFIGHT M (Pinza AJP)	50	1997 → 1998		FCC0521	FCB0006
SPEEDFIGHT M (Pinza Heng-Tong)	50	1997 →		FCC0521	FCB0006
SQUAB	50	1996 →		FCC0521	FCB0006
ST RAPIDO	50	→		FCC0521	FCB0006
SV GEO	50	1992 →		FCC0521	FCB0006
SV GEO (all models)	50	1993 →		FCC0521	FCB0006
SV ROLLAND GARROS	50	1993 →		FCC0521	FCB0006
SV SPORT	50	1993 →		FCC0521	FCB0006
SV T (forcella telescopica)	50	1993 →		FCC0521	FCB0006
TREKKER	50	1997 →		FCC0521	FCB0006
TREKKER (forcelle Paioli)	50	1997 →		FCC0521	FCB0006
ZENITH	50	1994 → 1995		FCC0521	FCB0006
ELYSEO	100	1998 → 2001		FCC0504	
ELYSEO	100	2002 →	FCG0507	FCC0507	FCB0021
LOOXOR	100	2001 →	FCG0507	FCC0507	FCB0021
SPEEDFIGHT	100	1997 → 2000	FCG0507	FCC0507	FCB0021
SV L	100	1999 → 2001	FCG0507	FCC0507	FCB0021
TREKKER	100	1998 →	FCG0507	FCC0507	FCB0021
VIVACITY	100	1999 → 2001	FCG0507	FCC0507	FCB0021
X FIGHT	100	2000 → 2001	FCG0507	FCC0507	FCB0021
ELYSEO	125	1998 → 1999	FCG0524	FCC0524	FCB0017
SV	250	2001 →	FCG0107	FCC0107	FCB0009

PGO

BIG MAX	50	1994 → 2002		FCC0521	FCB0006
---------	----	-------------	--	----------------	----------------

PIAGGIO

DIESIS	50	2001 →		FCC0522	FCB0016
FLY 2T	50	2005 →		FCC0522	FCB0016
FREE	50	1993 →		FCC0522	FCB0016
FREE (ruote in lega)	50	1996 →		FCC0522	FCB0016
ICE	50	2001 →		FCC0522	FCB0016
LIBERTY 2T	50	1997 →		FCC0522	FCB0016
LIBERTY 4T	50	2000 → 2001		FCC0522	FCB0016
LIBERTY RST 2T	50	2004 →		FCC0522	FCB0016
LIBERTY RST 4T	50	2004 →		FCC0522	FCB0016
NRG	50	1994 → 1996		FCC0522	FCB0016
NRG	50	1996 →		FCC0522	FCB0016
NRG EXTREME	50	1999 → 2000		FCC0522	FCB0016
NRG MC3	50	2001 → 2004		FCC0522	FCB0016
NRG MC2	50	1996 →		FCC0522	FCB0016
NTT	50	→ 1995		FCC0522	FCB0016
QUARTZ	50	1992 →		FCC0522	FCB0016
SFERA	50	1991 → 1994		FCC0531	
SFERA RST	50	1995 →		FCC0522	FCB0016
VELOFAX	50	1996 →		FCC0522	FCB0016
VESPA ET2 INIEZIONE	50	1999 →		FCC0522	FCB0016
VESPA ET2	50	1997 →		FCC0522	FCB0016
VESPA ET2 4T	50	2000 → 2001		FCC0522	FCB0016
VESPA LX 2T	50	2005 →		FCC0522	FCB0016
VESPA LX 4T	50	2005 →		FCC0522	FCB0016



FERODO KIT

CLUTCH SHOE

CLUTCH BELL

...PIAGGIO

ZIP	50	1992 → 1993		FCC0522	FCB0016
ZIP	50	1999 →		FCC0522	FCB0016
ZIP FAST RIDER	50	1993 → 1994		FCC0522	FCB0016
ZIP 4T	50	2000 → 2004		FCC0522	FCB0016
ZIP CATALYZED	50	2000 →		FCC0522	FCB0016
ZIP HT	50	2000 →		FCC0522	FCB0016
ZIP RST	50	1996 → 1997		FCC0522	FCB0016
ZIP RST	50	1998 → 1999		FCC0522	FCB0016
ZIP SP	50	1996 →		FCC0522	FCB0016
DIESIS	100	2001 →		FCC0522	FCB0016
FREE	100	2001 →		FCC0522	FCB0016
BEVERLY	125	2001 →	FCG0523	FCC0523	FCB0019
BEVERLY EURO 3	125	2007 → 2008	FCG0550	FCC0550	FCB0031
BEVERLY EURO 3 MIC	125	2007 →	FCG0550	FCC0550	FCB0031
BEVERLY EURO 3 SPORT	125	2007 → 2008	FCG0550	FCC0550	FCB0031
BEVERLY EURO 3 TOURER	125	2008 → 2010	FCG0550	FCC0550	FCB0031
BEVERLY RST	125	2004 → 2007	FCG0550	FCC0550	FCB0031
BEVERLY RST 4T 4V IE EURO 3	125	2010 → 2011	FCG0550	FCC0550	FCB0031
CARNABY	125	2007 → 2010	FCG0550	FCC0550	FCB0031
FLY	125	2005 → 2008	FCG0551	FCC0523	FCB0031
HEXAGON	125	1994 → 1997	FCG0516	FCC0516	FCB0008
HEXAGON GTX 4T	125	1998 → 1999	FCG0523	FCC0523	FCB0019
HEXAGON GTX 4T	125	2000 →	FCG0550	FCC0550	FCB0031
HEXAGON LX	125	1998 →	FCG0516	FCC0516	FCB0008
HEXAGON LX4	125	1998 → 1999	FCG0527	FCC0527	FCB0020
LIBERTY	125	1998 → 2000	FCG0527	FCC0527	FCB0020
LIBERTY	125	2001 →	FCG0523	FCC0523	FCB0019
LIBERTY 4T	125	2006 → 2007	FCG0550	FCC0550	FCB0031
LIBERTY 4T EURO3	125	2007 → 2008	FCG0550	FCC0550	FCB0031
LIBERTY 4TS PORT EURO3	125	2006 → 2008	FCG0550	FCC0550	FCB0031
LIBERTY RST	125	2004 → 2005	FCG0550	FCC0550	FCB0031
LIBERTY RST PTT	125	2005 → 2011	FCG0550	FCC0550	FCB0031
LIBERTY SPORT	125	2006 →	FCG0550	FCC0550	FCB0031
MP3	125	2006 → 2008	FCG0550	FCC0550	FCB0031
MP3 IBRIDO	125	2009 → 2010	FCG0550	FCC0550	FCB0031
MP3 IE	125	2008 → 2009	FCG0550	FCC0550	FCB0031
MP3 IE TOURING	125	2011 → 2012	FCG0550	FCC0550	FCB0031
MP3 YOURBAN ERL	125	2011 → 2013	FCG0550	FCC0550	FCB0031
SFERA 4T	125	1995 → 1997	FCG0527	FCC0527	FCB0020
SKIPPER	125	1993 → 1999	FCG0516	FCC0516	FCB0008
SKIPPER 4T	125	1998 →	FCG0523	FCC0523	FCB0019
SUPER HEXAGON GTX	125	→ 2000	FCG0523	FCC0523	FCB0019
SUPER HEXAGON GTX	125	2001 → 2002	FCG0550	FCC0550	FCB0031
VESPA ET4	125	1996 → 1998	FCG0527	FCC0527	FCB0020
VESPA ET4	125	1999 → 2002	FCG0550	FCC0550	FCB0031
VESPA GRANTURISMO L (pinza Grimeca)	125	2003 →	FCG0550	FCC0550	FCB0031
VESPA GRANTURISMO L (pinza HengTong)	125	2003 →	FCG0550	FCC0550	FCB0031
VESPA LX	125	2005 → 2006	FCG0551	FCC0523	FCB0031
VESPA LX EURO 3	125	2006 → 2007	FCG0550	FCC0550	FCB0031
VESPA S 4T IE & COLLEGE	125	2009 → 2010	FCG0550	FCC0550	FCB0031
X EVO	125	2007 → 2012	FCG0550	FCC0550	FCB0031
X10 4T 4V IE	125	2012 →	FCG0550	FCC0550	FCB0031
X7	125	2007 → 2009		FCC0550	
X8	125	2004 →	FCG0523	FCC0523	FCB0019
X8 (pinza HengTong)	125	2005 → 2006	FCG0550	FCC0550	FCB0031
X8 PREMIUM EURO 2	125	2006 →	FCG0550	FCC0550	FCB0031
X8 STREET EURO 3	125	2006 →	FCG0550	FCC0550	FCB0031
X9 EVOLUTION	125	2001 → 2002	FCG0523	FCC0523	FCB0019
X9 EVOLUTION	125	2003 → 2004	FCG0550	FCC0550	FCB0031
X9 EVOLUTION	125	2005 → 2007	FCG0550	FCC0550	FCB0031
ZIP 4T	125	2000 → 2002	FCG0523	FCC0523	FCB0019
FLY	150	2005 → 2007	FCG0551	FCC0523	FCB0031
FLY EURO 3	150	2008 → 2010	FCG0551	FCC0523	FCB0031
HEXAGON	150	1994 → 1999	FCG0516	FCC0516	FCB0008
LIBERTY 4T	150	2008 →	FCG0523	FCC0523	FCB0019
LIBERTY 4T SPORT	150	2008 →	FCG0523	FCC0523	FCB0019
LIBERTY LE	150	2000 → 2002	FCG0523	FCC0523	FCB0019
SKIPPER	150	1993 → 1999	FCG0516	FCC0516	FCB0008
SKIPPER 4T	150	2000 → 2002	FCG0523	FCC0523	FCB0019
VESPA LX EURO 3	150	2006 → 2007	FCG0550	FCC0550	FCB0031
VESPA ET4	150	1996 → 1998	FCG0523	FCC0523	FCB0019
VESPA ET4	150	1999 → 2002	FCG0550	FCC0550	FCB0031
VESPA LX	150	2005 → 2006	FCG0551	FCC0523	FCB0031
VESPA S 4T IE & COLLEGE	150	2009 → 2010	FCG0550	FCC0550	FCB0031
X8 STREET EURO 3	150	2006 →	FCG0550	FCC0550	FCB0031
HEXAGON GTX 4T	180	2001 →	FCG0559	FCC0544	FCB0031



FERODO KIT

CLUTCH SHOE

CLUTCH BELL

...PIAGGIO

HEXAGON GTX 4T	180	1998 → 2000	FCG0544	FCC0544	FCB0019
HEXAGON LX	180	1998 →	FCG0538	FCC0538	FCB0008
SUPER EXAGON GTX	180	→ 2000	FCG0523	FCC0523	FCB0019
SUPER EXAGON GTX	180	2001 → 2004	FCG0559	FCC0544	FCB0031
X9 AMALFI	180	2000 → 2003	FCG0544	FCC0544	FCB0019
BEVERLY	200	2001 → 2006	FCG0545	FCC0545	FCB0019
CARNABY	200	2007 → 2010	FCG0558	FCC0558	FCB0031
LIBERTY	200	2006 →	FCG0559	FCC0544	FCB0031
LIBERTY RST	200	2004 → 2005	FCG0559	FCC0544	FCB0031
LIBERTY 4T EURO3	200	2007 → 2008	FCG0559	FCC0544	FCB0031
LIBERTY 4T SPORT EURO 3	200	2006 → 2007	FCG0559	FCC0544	FCB0031
LIBERTY SPORT	200	2006 →	FCG0559	FCC0544	FCB0031
VESPA GRANTURISMO	200	2006 →	FCG0558	FCC0558	FCB0031
VESPA GRANTURISMO L	200	2003 → 2005	FCG0532	FCC0532	FCB0019
X8	200	2004 → 2005	FCG0547	FCC0547	FCB0019
X8	200	2005 →	FCG0552	FCC0547	FCB0031
X8	200	2006 →	FCG0558	FCC0558	FCB0031
X9 EVOLUTION	200	2002 → 2003	FCG0545	FCC0545	FCB0019
BEVERLY	250	2006 → 2007	FCG0557	FCC0557	FCB0031
BEVERLY CRUISER	250	2007 → 2009	FCG0557	FCC0557	FCB0031
BEVERLY EURO 3 IE	250	2006 → 2008	FCG0557	FCC0557	FCB0031
BEVERLY EURO 3 MIC	250	2007 →	FCG0557	FCC0557	FCB0031
BEVERLY EURO 3 TOURER	250	2008 → 2009	FCG0557	FCC0557	FCB0031
BEVERLY LEADER	250	2004 →	FCG0546	FCC0545	FCB0031
BEVERLY RST	250	2004 → 2005	FCG0557	FCC0557	FCB0031
BEVERLY SPORT	250	2006 → 2008	FCG0557	FCC0557	FCB0031
CARNABY	250	2008 →	FCG0557	FCC0557	FCB0031
HEXAGON	250	1998 →	FCG0106	FCC0106	FCB0012
MP3	250	2006 → 2008	FCG0557	FCC0557	FCB0031
MP3 LT	250	2008 → 2009	FCG0557	FCC0557	FCB0031
MP3 MIC	250	2008 → 2009	FCG0557	FCC0557	FCB0031
VESPA GTS	250	2005 →	FCG0557	FCC0557	FCB0031
VESPA GTV	250	2006 →	FCG0557	FCC0557	FCB0031
X EVO EVO	250	2007 → 2013	FCG0557	FCC0557	FCB0031
X7 EURO 3	250	2008 →	FCG0557	FCC0557	FCB0031
X8	250	2005 →	FCG0557	FCC0557	FCB0031
X9	250	2000 → 2003	FCG0107	FCC0107	FCB0009
X9 AMALFI	250	2000 →	FCG0107	FCC0107	FCB0009
X9 EVOLUTION	250	2004 → 2006	FCG0557	FCC0557	FCB0031
BEVERLY TOURER EURO 3	300	2009 → 2010	FCG0557	FCC0557	FCB0031
CARNABY CRUISER	300	2009 →	FCG0557	FCC0557	FCB0031
MP3 4T 4V IE ERL IBRIDO	300	2010 → 2013	FCG0557	FCC0557	FCB0031
MP3 4T 4V IE LT IBRIDO	300	2010 → 2011	FCG0557	FCC0557	FCB0031
MP3 IE LT	300	2010 → 2011	FCG0557	FCC0557	FCB0031
MP3 IE LT - IE LT SPORT	300	2011 → 2013	FCG0557	FCC0557	FCB0031
MP3 IE LT TOURING	300	2011 → 2013	FCG0557	FCC0557	FCB0031
MP3 IE MIC	300	2010 → 2011	FCG0557	FCC0557	FCB0031
MP3 IE TOURING	300	2011 → 2012	FCG0557	FCC0557	FCB0031
MP3 LT BUSINESS ABS	300	2014 →	FCG0557	FCC0557	FCB0031
MP3 SPORT ABS	300	2014 →	FCG0557	FCC0557	FCB0031
MP3 YOURBAN ERL	300	2011 → 2015	FCG0557	FCC0557	FCB0031
MP3 YOURBAN LT ERL	300	2011 → 2012	FCG0557	FCC0557	FCB0031
VESPA GTS IE	300	2012 →	FCG0557	FCC0557	FCB0031
VESPA GTS SUPER	300	2008 →	FCG0557	FCC0557	FCB0031
VESPA GTS SUPER SPORT	300	2011 →	FCG0557	FCC0557	FCB0031
VESPA GTV IE	300	2011 →	FCG0557	FCC0557	FCB0031
X7 EVO IE	300	2011 →	FCG0557	FCC0557	FCB0031
X7 EVO IE EURO3	300	2009 → 2011	FCG0557	FCC0557	FCB0031
BEVERLY EURO 3	400	2006 → 2008	FCG0549	FCC0549	FCB0011
BEVERLY TOURER EURO3	400	2008 → 2010	FCG0549	FCC0549	FCB0011
MP3	400	2007 → 2008	FCG0549	FCC0549	FCB0011
MP3 IE LT - IE LT SPORT	400	2008 → 2010	FCG0549	FCC0549	FCB0011
MP3 IE LT TOURING	400	2011 →	FCG0549	FCC0549	FCB0011
MP3 LT	400	2009 →	FCG0549	FCC0549	FCB0011
MP3 MIC	400	2008 → 2010	FCG0549	FCC0549	FCB0011
MP3 RL TOURING	400	2011 →	FCG0549	FCC0549	FCB0011
X EVO EURO 3	400	2007 → 2011	FCG0549	FCC0549	FCB0011
X8	400	2006 →	FCG0549	FCC0549	FCB0011
X8 EURO 3	400	2006 → 2008	FCG0549	FCC0549	FCB0011
BEVERLY	500	2002 → 2004	FCG0537	FCC0537	FCB0011
BEVERLY	500	2005 → 2006	FCG0549	FCC0549	FCB0011
BEVERLY CRUISER	500	2007 → 2012	FCG0549	FCC0549	FCB0011
BEVERLY EURO 3	500	2006 →	FCG0549	FCC0549	FCB0011
MP3 LT BUSINESS ABS	500	2014 →	FCG0569	FCC0569	FCB0011
MP3 LT SPORT - BUSINESS	500	2011 → 2013	FCG0569	FCC0569	FCB0011
MP3 RL SPORT - BUSINESS	500	2011 → 2012	FCG0569	FCC0569	FCB0011



FERODO KIT

CLUTCH SHOE

CLUTCH BELL

...PIAGGIO

MP3 SPORT ABS	500	2014 →	FCG0569	FCC0569	FCB0011
X10 4T 4V IE	500	2012 →	FCG0569	FCC0569	FCB0011
X9	500	2001 → 2003	FCG0549	FCC0549	FCB0011
X9 EVOLUTION	500	2003 → 2004	FCG0537	FCC0537	FCB0011
X9 EVOLUTION ABS	500	2006 → 2007	FCG0549	FCC0549	FCB0011

RIZZATO

VAMOS	50	→		FCC0504	
-------	----	---	--	----------------	--

SACHS

SACHS	50	→		FCC0508	
-------	----	---	--	----------------	--

SUZUKI

ADRESS	50	1990 → 1991		FCC0504	
AP	50	1995 →		FCC0504	
AY KATANA	50	1997 →		FCC0504	
SEPIA	50	1992 →		FCC0504	
SEPIA AU ZZ	50	1996 →		FCC0504	
BURGMAN UH	125	2002 → 2006	FCG0548	FCC0548	FCB0033
BURGMAN UH	125	2007 → 2011	FCG0567	FCC0567	FCB0046
EPICURO UC	125	1998 → 2000	FCG0548	FCC0548	FCB0033
LIDO VARIO	125	1990 →			FCB0033
SIXTEEN UX	125	2008 → 2011	FCG0567	FCC0567	FCB0046
BURGMAN UH	150	2002 → 2006	FCG0548	FCC0548	FCB0033
EPICURO UC	150	1999 → 2000	FCG0548	FCC0548	FCB0033
EPICURO UC	150	2001 →	FCG0548	FCC0548	FCB0033
SIXTEEN UX	150	2008 → 2011	FCG0567	FCC0567	FCB0046
BURGMAN UH	200	2007 → 2013	FCG0566	FCC0566	FCB0045
BURGMAN AN	250	1996 → 2006	FCG0301	FCC0301	FCB0026
BURGMAN AN	400	1998 → 2006	FCG0506	FCC0506	FCB0005
BURGMAN AN	400	2007 → 2015	FCG0565	FCC0565	FCB0036

SYM

JOYRIDE	125	2001 → 2004	FCG0541	FCC0541	FCB0028
JOYRIDE EURO 2	125	2005 → 2006	FCG0108	FCC0108	FCB0028
JOYRIDE EURO 3	125	2007 →	FCG0108	FCC0108	FCB0028
JOYRIDE EVO	125	2010 →	FCG0108	FCC0108	FCB0028
JOYRIDE	150	2001 → 2002	FCG0541	FCC0541	FCB0028
HD EVO EURO 2	200	2005 → 2006	FCG0541	FCC0541	FCB0028
HD EVO I EURO 3	200	2007 → 2010	FCG0541	FCC0541	FCB0028
HD EVO I EURO 3 (tamburo post)	200	2008 → 2009	FCG0541	FCC0541	FCB0028
GTS	250	2007 → 2008		FCC0517	
JOYMAX	250	2005 → 2007		FCC0517	
JOYMAX I EURO 3	250	2007 → 2008		FCC0517	
CITYCOM	300	2008 → 2009		FCC0517	
CITYCOM EFI	300	2010 → 2011		FCC0517	
CITYCOM I CBS	300	2012 →		FCC0517	
JOYMAX EVO	300	2009 →		FCC0517	
JOYMAX I	300	2012 →		FCC0517	
JOYMAX I EVO	300	2010 →		FCC0517	

SYM ATV

TRACK RUNNER	200	2006 → 2007	FCG0108	FCC0108	FCB0028
--------------	-----	-------------	----------------	----------------	----------------

YAMAHA

AEROX LC YQ	50	1997 →		FCC0535	FCB0018
AXIS YA	50	1993 →		FCC0503	FCB0001
BELUGA	50	1989 →		FCC0503	FCB0001
BREEZE YM	50	1994 → 1996		FCC0503	FCB0001
BW S	50	1992 → 1994		FCC0503	FCB0001
BW S	50	1997 →		FCC0535	FCB0018
BW S R	50	1995 → 1996		FCC0503	FCB0001
CR TARGET	50	1991 →		FCC0503	FCB0001
CR Z	50	1992 →		FCC0503	FCB0001
CT SUPER SPORT	50	1990 →		FCC0503	FCB0001
JOG (ITALIA)	50	1991 → 1996		FCC0503	FCB0001
JOG CY	50	1988 →		FCC0503	FCB0001
NEOS YN	50	1997 →		FCC0535	FCB0018



FERODO KIT

CLUTCH SHOE

CLUTCH BELL

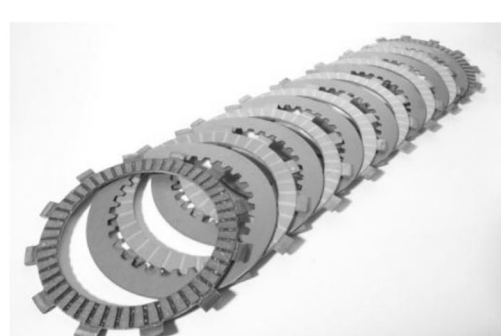
...YAMAHA

SPY	50	→ 1996						FCC0503	FCB0001
SPY	50	1997 → 2001						FCC0535	FCB0018
SPY	50	2002 →						FCC0535	FCB0018
WHY	50	1997 →						FCC0535	FCB0018
ZEST YE	50	1992 →						FCC0503	FCB0001
ZEST YE	50	1993 → 1996						FCC0535	FCB0018
ZEST YE	50	1997 →						FCC0505	FCB0014
ZUMA	50	1990 →						FCC0503	FCB0001
JOG	90	1990 →						FCC0505	FCB0014
AEROX YQ	100	1999 → 2002						FCC0520	FCB0014
BW S	100	1999 → 2001						FCC0520	FCB0014
NEOS YN	100	1999 → 2002						FCC0520	FCB0014
BWS YW	125	2010 →	FCG0511					FCC0511	FCB0007
CYGNUS F XC	125	2000 →	FCG0511					FCC0511	FCB0007
CYGNUS R XC	125	1999 → 2003	FCG0511					FCC0511	FCB0007
CYGNUS X NXC	125	2004 → 2011	FCG0511					FCC0511	FCB0007
MAJESTY YP	125	1998 → 2000	FCG0511					FCC0511	FCB0007
MAJESTY YP E	125	2001 → 2002	FCG0511					FCC0511	FCB0007
MAXSTER XQ	125	2001 → 2002	FCG0511					FCC0511	FCB0007
X-CITY VP	125	2008 → 2011	FCG0564					FCC0564	FCB0025
X-MAX ABS YP R	125	2011 →	FCG0564					FCC0564	FCB0025
X-MAX ABS YP RA	125	2013 → 2014	FCG0564					FCC0564	FCB0025
X-MAX YP R	125	2006 → 2009	FCG0564					FCC0564	FCB0025
X-MAX YP R	125	2010 → 2013	FCG0564					FCC0564	FCB0025
X-MAX YP R	125	2014 →	FCG0564					FCC0564	FCB0025
FLY ONE R XC	150	1998 →							FCB0007
MAJESTY YP	150	2000 → 2002	FCG0536					FCC0536	FCB0025
MAXSTER XQ	150	2001 → 2002	FCG0536					FCC0536	FCB0025
TEOS XN	150	2001 → 2002	FCG0536					FCC0536	FCB0025
MAJESTY YP E	180	2003 → 2006	FCG0536					FCC0536	FCB0025
MAJESTY ABS YP	250	2003 →	FCG0517					FCC0517	FCB0003
MAJESTY DX YP	250	1998 → 1999	FCG0539					FCC0539	FCB0025
MAJESTY YP	250	1996 → 1998	FCG0539					FCC0539	FCB0025
MAJESTY YP	250	2000 → 2003	FCG0517					FCC0517	FCB0003
X-CITY VP	250	2007 → 2013	FCG0517					FCC0517	FCB0003
X-MAX ABS YP RA	250	2011 → 2014	FCG0517					FCC0517	FCB0003
X-MAX BLACK YP R	250	2009 →	FCG0517					FCC0517	FCB0003
X-MAX SPORT YP R	250	2011 → 2012	FCG0517					FCC0517	FCB0003
X-MAX YP R	250	2005 → 2013	FCG0517					FCC0517	FCB0003
X-MAX YP R	250	2014 →	FCG0517					FCC0517	FCB0003
VERSITY XC	300	2003 → 2006	FCG0517					FCC0517	FCB0003
MAJESTY ABS YP	400	2007 → 2011	FCG0560					FCC0560	FCB0035
MAJESTY YP	400	2004 → 2011	FCG0560					FCC0560	FCB0035
X-MAX ABS MOMODESIGN YP RA	400	2014 →	FCG0560					FCC0560	FCB0035
X-MAX ABS YP RA	400	2014 → 2015	FCG0560					FCC0560	FCB0035
X-MAX MOMODESIGN YP R	400	2014 →	FCG0560					FCC0560	FCB0035
X-MAX YP R	400	2013 → 2015	FCG0560					FCC0560	FCB0035





MOTORCYCLE CLUTCHES



CLUTCHES KIT XREF

Competitors to Ferodo



MOTORCYCLE CLUTCHES

CLUTCHES X-REF

COMPETITORS TO FERODO

EBC	Ferodo
CK 1105	FCD0108
CK 1107	FCD0167/1
CK 1119	FCS0132/3
CK 1130	FCD0154
CK 1134	FCD0119
CK 1135	FCD0120/1
CK 1140	FCD0111
CK 1141	FCD0237
CK 1144	FCD0133
CK 1145	FCD0134
CK 1146	FCD0162
CK 1147	FCD0135
CK 1149	FCD0126
CK 1150	FCD0104
CK 1151	FCD0123
CK 1152	FCS0101/3
CK 1153	FCS0126/2
CK 1156	FCD0103
CK 1159	FCD0101/1
CK 1163	FCS0101/2
CK 1165	FCS0120/3
CK 1166	FCD0189
CK 1177	FCD0159
CK 1180	FCD0105
CK 1181	FCD0129/1
CK 1183	FCD0122
CK 1186	FCD0180
CK 1190	FCD0107
CK 1191	FCD0106
CK 1193	FCD0140
CK 1194	FCD0112
CK 1196	FCD0236/1
CK 1206	FCD0137
CK 1210	FCS0142/3
CK 1218	FCS0675/2
CK 1219	FCS0675/3
CK 1220	FCD0143/1
CK 1221	FCD0182
CK 1222	FCD0110/1
CK 1224	FCD0171
CK 1229	FCD0181/1
CK 1230	FCS0142/2
CK 1234	FCD0442/1
CK 1248	FCD0430/1
CK 1250	FCD0171/1
CK 1252	FCD0450
CK 1253	FCD0122/1
CK 1257	FCD0235/1
CK 1264	FCD0238/1
CK 1265	FCD0239/1
CK 1266	FCD0234
CK 1284	FCS0234/2
CK 1285	FCD0235
CK 1287	FCD0240
CK 1289	FCD0234/1

EBC	Ferodo
CK 1290	FCS0111/2
CK 1291	FCS0132/2
CK 1292	FCD0157
CK 1293	FCD0186
CK 1294	FCD0133/1
CK 1295	FCD0138
CK 1307	FCD0139/1
CK 2203	FCS0220/2
CK 2207	FCS0231/2
CK 2208	FCS0221/3
CK 2209	FCD0218/1
CK 2223	FCD0266
CK 2230	FCD0202
CK 2235	FCD0209
CK 2236	FCS0218/2
CK 2238	FCD0231
CK 2240	FCS0223/3
CK 2244	FCD0225
CK 2245	FCD0218
CK 2250	FCD0212/1
CK 2255	FCD0216/1
CK 2256	FCS0220/3
CK 2261	FCD0206
CK 2267	FCS0212/2
CK 2273	FCD0213
CK 2274	FCD0260
CK 2276	FCD0315
CK 2280	FCD0228
CK 2281	FCD0212
CK 2283	FCD0204
CK 2287	FCD0217
CK 2291	FCD0255
CK 2295	FCD0240/1
CK 2297	FCD0270
CK 2299	FCD0315/1
CK 2300	FCD0208/1
CK 2302	FCD0220
CK 2305	FCD0220/1
CK 2308	FCD0232
CK 2309	FCD0215
CK 2310	FCD0277
CK 2311	FCS0218/3
CK 2312	FCD0263
CK 2313	FCS0243/2
CK 2315	FCD0241
CK 2316	FCD0242
CK 2317	FCD0243/1
CK 2318	FCD0244
CK 2319	FCS0245/3
CK 2321	FCS0246/3
CK 2327	FCS0247/2
CK 2331	FCS0247/3
CK 2332	FCS0249/2
CK 2335	FCD0248
CK 2336	FCD0251

EBC	Ferodo
CK 2337	FCS0251/2
CK 2339	FCD0251/1
CK 2347	FCD0280
CK 2348	FCD0205
CK 2349	FCD0281
CK 2351	FCD0233
CK 2352	FCD0337/1
CK 2354	FCD0366
CK 2355	FCD0375
CK 2356	FCD0331
CK 2358	FCS0233/3
CK 3306	FCD0323/1
CK 3311	FCD0305
CK 3312	FCS0326/3
CK 3315	FCS0313/3
CK 3316	FCD0326/1
CK 3318	FCS0308/3
CK 3319	FCS0322/3
CK 3321	FCS0326/2
CK 3324	FCD0313
CK 3326	FCD0326
CK 3331	FCS0313/2
CK 3333	FCS0334/3
CK 3334	FCD0330/1
CK 3335	FCD0310/1
CK 3337	FCD0327/1
CK 3338	FCD0324/1
CK 3340	FCS0308/2
CK 3343	FCD0333/1
CK 3344	FCS0333/3
CK 3345	FCD0313/1
CK 3346	FCS0320/2
CK 3347	FCD0320
CK 3348	FCD0317
CK 3349	FCD0306/1
CK 3349/R	FCD0351
CK 3351	FCD0306
CK 3353	FCD0307/1
CK 3357	FCS0321/3
CK 3359	FCD0349/1
CK 3364	FCD0371
CK 3366	FCD0367
CK 3367	FCD0309
CK 3372	FCD0359
CK 3373	FCD0318
CK 3375	FCD0318/1
CK 3377	FCD0362
CK 3378	FCD0355
CK 3381	FCD0309/1
CK 3382	FCS0342/2
CK 3384	FCD0334
CK 3385	FCD0352
CK 3386	FCS0304/3
CK 3387	FCD0304
CK 3388	FCD0328/1

CLUTCHES X-REF

COMPETITORS TO FERODO

EBC	Ferodo
CK 3389	FCD0316/1
CK 3390	FCD0364
CK 3400	FCS0151/3
CK 3401	FCD0184
CK 3402	FCD0146
CK 3403	FCD0147
CK 3428	FCD0366/1
CK 3430	FCD0368/1
CK 3432	FCD0370
CK 3433	FCD0370/1
CK 3435	FCD0374
CK 4419	FCS0425/3
CK 4421	FCS0406/3
CK 4424	FCD0436
CK 4425	FCD0426
CK 4434	FCD0454/1
CK 4438	FCS0420/3
CK 4439	FCS0417/2
CK 4442	FCD0409/1
CK 4443	FCD0406/1
CK 4452	FCD0417
CK 4457	FCS0419/2
CK 4459	FCS0420/2
CK 4463	FCD0424/1
CK 4465	FCD0424
CK 4468	FCD0404
CK 4469	FCD0422
CK 4473	FCD0435
CK 4475	FCD0448
CK 4477	FCD0405
CK 4478	FCD0411
CK 4481	FCS0423/2
CK 4482	FCD0414
CK 4484	FCD0421/1
CK 4485	FCD0423/1
CK 4486	FCS0409/3
CK 4488	FCD0428
CK 4489	FCD0428/1
CK 4493	FCD0441
CK 4494	FCD0441/1
CK 4503	FCS0267/3
CK 4505	FCD0284
CK 4508	FCD0287
CK 4509	FCD0418
CK 4511	FCD0425
CK 5594	FCD0566
CK 6601	FCS0586/3
CK 6604	FCS0503/3
CK 6605	FCD0503/1
CK 6606 MP	FCD0584
CK 6610	FCD0573
CK 6610 MP	FCS0573/2
CK 6612	FCD0617
CK 6613	FCS0662/2
CK 6613 MP	FCD0671

EBC	Ferodo
CK 6614 MP	FCD0531
CK 6615	FCD0554
CK 6618 MP	FCD0637
CK 6619	FCD0646
CK 6621 MP	FCD0592
CK 6622	FCD0577
CK 6622 MP	FCS0577/2
CK 6628	FCS0538/2
CK 6630 MP	FCD0662
CK 6680	FCS0502/3
CK 6680 R	FCS0504/3
CK 6681 R	FCS0501/3
CSK 01	FSS0111
CSK 02	FSS0406
CSK 03	FSS0112
CSK 04	FSS0303
CSK 06	FSS0304
CSK 07	FSS0305
CSK 08	FSS0113
CSK 09	FSS0114
CSK 10	FSS0407
CSK 11	FSS0115
CSK 12	FSS0306
CSK 13	FSS0116
CSK 14	FSS0307
CSK 15	FSS0408
CSK 16	FSS0308
CSK 17	FSS0204
CSK 18	FSS0409
CSK 19	FSS0205
CSK 20	FSS0410
CSK 21	FSS0117
CSK 22	FSS0206
CSK 23	FSS0118
CSK 24	FSS0125
CSK 25	FSS0309
CSK 26	FSS0207
CSK 27	FSS0119
CSK 28	FSS0120
CSK 29	FSS0208
CSK 31	FSS0209
CSK 32	FSS0310
CSK 34	FSS0320
CSK 35	FSS0411
CSK 36	FSS0210
CSK 37	FSS0212
CSK 40	FSS0412
CSK 42	FSS0413
CSK 43	FSS0126
CSK 44	FSS0414
CSK 46	FSS0313
CSK 47	FSS0121
CSK 48	FSS0314
CSK 49	FSS0315
CSK 52	FSS0415

EBC	Ferodo
CSK 53	FSS0316
CSK 54	FSS0123
CSK 55	FSS0317
CSK 56	FSS0318
CSK 58	FSS0211
CSK 59	FSS0127
CSK 60	FSS0501
CSK 63	FSS0215
CSK 65	FSS0213
CSK 66	FSS0319
CSK 67	FSS0417
CSK 69	FSS0128
CSK 70	FSS0502
CSK 71	FSS0508
CSK 72	FSS0505
CSK 74	FSS0510
CSK 75	FSS0514
CSK 77	FSS0504
CSK 78	FSS0516
CSK 79	FSS0520
CSK 81	FSS0506
CSK 82	FSS0519
CSK 83	FSS0521
CSK 88	FSS0518
CSK 91	FSS0515
CSK 92	FSS0131
CSK 93	FSS0509
CSK 97	FSS0513
CSK 99	FSS0507

NEWFREN	Ferodo
.F.1167	FCD0721
.F.1167 AC	FCS0721/2
.F.1168	FCD0722
.F.1168 AC	FCS0722/2
.F.1169	FCD0723
.F.1169 AC	FCS0723/2
.F.1170	FCD0724
.F.1170 AC	FCS0724/2
.F.1171	FCD0725
.F.1171 AC	FCS0725/2
.F.1172	FCD0683
.F.1173	FCD0500
.F.1174	FCD0600
.F.1175	FCD0508
.F.1176	FCD0514
.F.1177	FCD0602
.F.1178	FCD0518
.F.1178 AC	FCS0518/2
.F.1178 R	FCD0518/1
.F.1178 SR	FCS0518/3
.F.1179	FCD0507
.F.1179 AC	FCS0507/2
.F.1180	FCD0607
.F.1180 AC	FCS0607/2

CLUTCHES X-REF

COMPETITORS TO FERODO

NEWFREN	Ferodo
.F.1184	FCD0536
.F.1185	FCD0542
.F.1186	FCD0623
.F.1186 AC	FCS0623/2
.F.1187	FCD0506
.F.1188	FCD0509
.F.1188 AC	FCS0509/2
.F.1188 R	FCD0509/1
.F.1188 SR	FCS0509/3
.F.1189	FCD0510
.F.1189 AC	FCS0510/2
.F.1191	FCD0554
.F.1191 AC	FCS0554/2
.F.1192	FCD0578
.F.1192 AC	FCS0578/2
.F.1193	FCD0511
.F.1194	FCD0611
.F.1195	FCD0515
.F.1196	FCD0535
.F.1199	FCD0604
.F.1200	FCD0579
.F.1401	FCD0612
.F.1402	FCD0543
.F.1403	FCD0571
.F.1404	FCD0513
.F.1408	FCD0516
.F.1408 AC	FCS0516/2
.F.1408 R	FCD0516/1
.F.1408 SR	FCS0516/3
.F.1409	FCD0580
.F.1409 AC	FCS0580/2
.F.1409 R	FCD0580/1
.F.1409 SR	FCS0580/3
.F.1410	FCD0598
.F.1410 AC	FCS0598/2
.F.1411	FCD0557
.F.1411 AC	FCS0557/2
.F.1411 R	FCD0557/1
.F.1411 SR	FCS0557/3
.F.1412	FCD0581
.F.1412 AC	FCS0581/2
.F.1412 R	FCD0581/1
.F.1412 SR	FCS0581/3
.F.1413	FCD0625
.F.1414	FCD0538
.F.1414 AC	FCS0538/2
.F.1414 R	FCD0538/1
.F.1414 SR	FCS0538/3
.F.1416	FCD0544
.F.1417	FCD0633
.F.1417 AC	FCS0633/2
.F.1417 R	FCD0633/1
.F.1417 SR	FCS0633/3
.F.1418 R	FCD0558/1
.F.1418 SR	FCS0558/3

NEWFREN	Ferodo
.F.1419	FCD0682
.F.1419 AC	FCS0682/2
.F.1419 R	FCD0682/1
.F.1419 SR	FCS0682/3
.F.1420	FCD0615
.F.1420 AC	FCS0615/2
.F.1420 R	FCD0615/1
.F.1420 SR	FCS0615/3
.F.1421	FCD0523
.F.1421 AC	FCS0523/2
.F.1421 R	FCD0523/1
.F.1421 SR	FCS0523/3
.F.1422 AC	FCS0524/2
.F.1423 AC	FCS0534/2
.F.1424 AC	FCS0582/2
.F.1425 AC	FCS0605/2
.F.1426 AC	FCS0616/2
.F.1427 AC	FCS0626/2
.F.1428 AC	FCS0649/2
.F.1429 AC	FCS0659/2
.F.1430 AC	FCS0663/2
.F.1431 AC	FCS0667/2
.F.1432 AC	FCS0651/2
.F.1433 AC	FCS0583/2
.F.1434	FCD0684
.F.1434 AC	FCS0684/2
.F.1434 R	FCD0684/1
.F.1434 SR	FCS0684/3
.F.1435 R	FCD0685/1
.F.1436 R	FCD0739/1
.F.1436 SR	FCS0739/3
.F.1438	FCD0741
.F.1438 R	FCD0741/1
.F.1439 R	FCD0742/1
.F.1440 AC	FCS0743/2
.F.1441 AC	FCS0744/2
.F.1442 AC	FCS0745/2
.F.1443 AC	FCS0746/2
.F.1444 AC	FCS0747/2
.F.1445 AC	FCS0748/2
.F.1446 AC	FCS0749/2
.F.1447 R	FCD0690/1
.F.1447 SR	FCS0690/3
.F.1448 R	FCD0691/1
.F.1448 SR	FCS0691/3
.F.1449	FCD0692
.F.1449 AC	FCS0692/2
.F.1449 R	FCD0692/1
.F.1449 SR	FCS0692/3
.F.1450 R	FCD0693/1
.F.1450 SR	FCS0693/3
.F.1451 R	FCD0694/1
.F.1452 R	FCD0695/1
.F.1453	FCD0696
.F.1453 AC	FCS0696/2

NEWFREN	Ferodo
.F.1453 R	FCD0696/1
.F.1453 SR	FCS0696/3
.F.1454	FCD0697
.F.1454 R	FCD0697/1
.F.1455	FCD0698
.F.1455 AC	FCS0698/2
.F.1455 R	FCD0698/1
.F.1455 SR	FCS0698/3
.F.1456	FCD0519
.F.1456 AC	FCS0519/2
.F.1457	FCD0606
.F.1457 AC	FCS0606/2
.F.1458	FCD0634
.F.1458 AC	FCS0634/2
.F.1459	FCD0528
.F.1459 AC	FCS0528/2
.F.1460	FCD0584
.F.1460 AC	FCS0584/2
.F.1462	FCD0699
.F.1462 R	FCD0699/1
.F.1466 R	FCD0750/1
.F.1466 SR	FCS0750/3
.F.1467 R	FCD0751/1
.F.1467 SR	FCS0751/3
.F.1468 R	FCD0752/1
.F.1469	FCD0753
.F.1469 AC	FCS0753/2
.F.1472	FCD0733
.F.1472 R	FCD0733/1
.F.1473	FCD0545
.F.1473 AC	FCS0545/2
.F.1474	FCD0645
.F.1475	FCD0585
.F.1475 AC	FCS0585/2
.F.1475 R	FCD0585/1
.F.1475 SR	FCS0585/3
.F.1476	FCD0734
.F.1477	FCD0735
.F.1477 R	FCD0735/1
.F.1478	FCD0736
.F.1478 R	FCD0736/1
.F.1479	FCD0732
.F.1479 R	FCD0732/1
.F.1480	FCD0728
.F.1480 AC	FCS0728/2
.F.1480 R	FCD0728/1
.F.1480 SR	FCS0728/3
.F.1481	FCD0658
.F.1482	FCD0560
.F.1483 R	FCD0729/1
.F.1483 SR	FCS0729/3
.F.1484 R	FCD0727/1
.F.1484 SR	FCS0727/3
.F.1485 R	FCD0731/1
.F.1485 SR	FCS0731/3

CLUTCHES X-REF

COMPETITORS TO FERODO

NEWFREN	Ferodo
.F.1486 R	FCD0730/1
.F.1486 SR	FCS0730/3
.F.1487	FCD0737
.F.1487 AC	FCS0737/2
.F.1487 R	FCD0737/1
.F.1487 SR	FCS0737/3
.F.1488	FCD0738
.F.1489	FCD0720
.F.1489 AC	FCS0720/2
.F.1490	FCD0617
.F.1491	FCD0627
.F.1492	FCD0657
.F.1493	FCD0540
.F.1494	FCD0652
.F.1495	FCD0529
.F.1496	FCD0641
.F.1496 AC	FCS0641/2
.F.1496 R	FCD0641/1
.F.1496 SR	FCS0641/3
.F.1497	FCD0653
.F.1498	FCD0586
.F.1498 AC	FCS0586/2
.F.1498 R	FCD0586/1
.F.1498 SR	FCS0586/3
.F.1499	FCD0688
.F.1499 AC	FCS0688/2
.F.1499 R	FCD0688/1
.F.1499 SR	FCS0688/3
.F.1501 R	FCD0503/1
.F.1501 SR	FCS0503/3
.F.1502 R	FCD0501/1
.F.1502 SR	FCS0501/3
.F.1503 R	FCD0502/1
.F.1503 SR	FCS0502/3
.F.1504 R	FCD0504/1
.F.1504 SR	FCS0504/3
.F.1505 R	FCD0505/1
.F.1505 SR	FCS0505/3
.F.1506 R	FCD0654/1
.F.1506 SR	FCS0654/3
.F.1507 R	FCD0673/1
.F.1507 SR	FCS0673/3
.F.1509 R	FCD0707/1
.F.1509 SR	FCS0707/3
.F.1510 R	FCD0708/1
.F.1510 SR	FCS0708/3
.F.1511	FCD0705
.F.1511 AC	FCS0705/2
.F.1513 R	FCD0709/1
.F.1513 SR	FCS0709/3
.F.1514 R	FCD0710/1
.F.1514 SR	FCS0710/3
.F.1515 R	FCD0711/1
.F.1515 SR	FCS0711/3
.F.1516 R	FCD0712/1

NEWFREN	Ferodo
.F.1516 SR	FCS0712/3
.F.1517 R	FCD0713/1
.F.1517 SR	FCS0713/3
.F.1518	FCD0689
.F.1518 R	FCD0689/1
.F.1519	FCD0547
.F.1520	FCD0618
.F.1521	FCD0635
.F.1522	FCD0587
.F.1523	FCD0719
.F.1523 AC	FCS0719/2
.F.1524	FCD0541
.F.1525	FCD0628
.F.1525 AC	FCS0628/2
.F.1526	FCD0530
.F.1526 AC	FCS0530/2
.F.1527	FCD0572
.F.1528	FCD0548
.F.1528 AC	FCS0548/2
.F.1529	FCD0636
.F.1529 AC	FCS0636/2
.F.1530	FCD0619
.F.1530 AC	FCS0619/2
.F.1530 R	FCD0619/1
.F.1530 SR	FCS0619/3
.F.1531	FCD0642
.F.1532	FCD0573
.F.1532 AC	FCS0573/2
.F.1533	FCD0588
.F.1533 AC	FCS0588/2
.F.1533 R	FCD0588/1
.F.1533 SR	FCS0588/3
.F.1534	FCD0715
.F.1534 AC	FCS0715/2
.F.1535	FCD0717
.F.1535 AC	FCS0717/2
.F.1536	FCD0716
.F.1536 AC	FCS0716/2
.F.1537	FCD0648
.F.1538	FCD0718
.F.1538 AC	FCS0718/2
.F.1539	FCD0531
.F.1540	FCD0608
.F.1540 AC	FCS0608/2
.F.1540 R	FCD0608/1
.F.1540 SR	FCS0608/3
.F.1541	FCD0643
.F.1541 AC	FCS0643/2
.F.1542	FCD0564
.F.1543	FCD0574
.F.1543 AC	FCS0574/2
.F.1543 R	FCD0574/1
.F.1543 SR	FCS0574/3
.F.1544	FCD0549
.F.1545	FCD0672

NEWFREN	Ferodo
.F.1545 AC	FCS0672/2
.F.1546	FCD0655
.F.1547	FCD0589
.F.1548	FCD0668
.F.1549	FCD0532
.F.1553	FCD0660
.F.1560	FCD0664
.F.1561 R	FCD0561/1
.F.1561 SR	FCS0561/3
.F.1562	FCD0661
.F.1562 AC	FCS0661/2
.F.1565	FCD0665
.F.1565 AC	FCS0665/2
.F.1565 R	FCD0665/1
.F.1565 SR	FCS0665/3
.F.1566	FCD0620
.F.1566 AC	FCS0620/2
.F.1567	FCD0568
.F.1567 AC	FCS0568/2
.F.1568	FCD0662
.F.1568 AC	FCS0662/2
.F.1569	FCD0671
.F.1569 AC	FCS0671/2
.F.1570	FCD0669
.F.1570 AC	FCS0669/2
.F.1571	FCD0576
.F.1571 AC	FCS0576/2
.F.1574	FCD0567
.F.1575/3	FCD0591
.F.1575/5	FCD0656
.F.1576/2	FCD0566
.F.1576/3	FCD0666
.F.1577	FCD0630
.F.1578	FCD0670
.F.1579	FCD0701
.F.1579 AC	FCS0701/2
.F.1580	FCD0637
.F.1581	FCD0646
.F.1582	FCD0702
.F.1582 AC	FCS0702/2
.F.1583	FCD0703
.F.1583 AC	FCS0703/2
.F.1584	FCD0592
.F.1584 R	FCD0592/1
.F.1585	FCD0577
.F.1585 AC	FCS0577/2
.F.1586	FCD0552
.F.1587 R	FCD0714/1
.F.1587 SR	FCS0714/3
.F.1589	FCD0621
.F.1590	FCD0614
.F.1590 AC	FCS0614/2
.F.1590 R	FCD0614/1
.F.1590 SR	FCS0614/3
.F.1591	FCD0593

CLUTCHES X-REF

COMPETITORS TO FERODO

NEWFREN	Ferodo
.F.1591 AC	FCS0593/2
.F.1591 R	FCD0593/1
.F.1591 SR	FCS0593/3
.F.1592	FCD0610
.F.1592 AC	FCS0610/2
.F.1593	FCD0594
.F.1593 AC	FCS0594/2
.F.1593 R	FCD0594/1
.F.1593 SR	FCS0594/3
.F.1595	FCD0553
.F.1596	FCD0622
.F.1597	FCD0613
.F.1598	FCD0533
.F.1599	FCD0525
.F.1600	FCD0152
.F.1600 R	FCD0152/1
.F.1601	FCD0161
.F.1602	FCD0130
.F.1603	FCD0165
.F.1604	FCD0175
.F.1604 R	FCD0175/1
.F.1605	FCD0117
.F.1606	FCD0115
.F.1606 R	FCD0115/1
.F.1607	FCD0114
.F.1608	FCD0191
.F.1609	FCD0153
.F.1609 R	FCD0153/1
.F.1610	FCD0166
.F.1610 R	FCD0166/1
.F.1612	FCD0176
.F.1613	FCD0192
.F.1615	FCD0102
.F.1615 R	FCD0102/1
.F.1616	FCD0190
.F.1616 R	FCD0190/1
.F.1617	FCD0150
.F.1620	FCD0112
.F.1620 AC	FCS0112/2
.F.1620 R	FCD0112/1
.F.1620 SR	FCS0112/3
.F.1622	FCD0122
.F.1622 R	FCD0122/1
.F.1623	FCD0101
.F.1623 AC	FCS0101/2
.F.1623 R	FCD0101/1
.F.1623 SR	FCS0101/3
.F.1625	FCD0119
.F.1625 R	FCD0119/1
.F.1626	FCD0154
.F.1627	FCD0167
.F.1627 R	FCD0167/1
.F.1628	FCD0108
.F.1628 R	FCD0108/1
.F.1629	FCD0111

NEWFREN	Ferodo
.F.1629 AC	FCS0111/2
.F.1629 R	FCD0111/1
.F.1629 SR	FCS0111/3
.F.1630	FCD0132
.F.1630 AC	FCS0132/2
.F.1630 R	FCD0132/1
.F.1630 SR	FCS0132/3
.F.1631	FCD0120
.F.1631 AC	FCS0120/2
.F.1631 R	FCD0120/1
.F.1631 SR	FCS0120/3
.F.1633	FCD0126
.F.1633 AC	FCS0126/2
.F.1633 R	FCD0126/1
.F.1633 SR	FCS0126/3
.F.1634	FCD0136
.F.1634 AC	FCS0136/2
.F.1634 R	FCD0136/1
.F.1634 SR	FCS0136/3
.F.1637	FCD0118
.F.1637 R	FCD0118/1
.F.1638	FCD0125
.F.1638 R	FCD0125/1
.F.1639	FCD0107
.F.1640	FCD0113
.F.1641	FCD0109
.F.1642	FCD0124
.F.1642 R	FCD0124/1
.F.1643	FCD0127
.F.1643 R	FCD0127/1
.F.1644	FCD0110
.F.1644 R	FCD0110/1
.F.1645	FCD0155
.F.1645 R	FCD0155/1
.F.1646	FCD0168
.F.1646 R	FCD0168/1
.F.1647	FCD0178
.F.1649	FCD0189
.F.1650	FCD0129
.F.1650 AC	FCS0129/2
.F.1650 R	FCD0129/1
.F.1650 SR	FCS0129/3
.F.1651	FCD0188
.F.1652	FCD0179
.F.1653	FCD0103
.F.1654	FCD0104
.F.1655	FCD0105
.F.1655 R	FCD0105/1
.F.1656	FCD0106
.F.1656 R	FCD0106/1
.F.1657	FCD0193
.F.1658	FCD0194
.F.1658 AC	FCS0194/2
.F.1658 R	FCD0194/1
.F.1658 SR	FCS0194/3

NEWFREN	Ferodo
.F.1660	FCD0195
.F.1660 AC	FCS0195/2
.F.1660 R	FCD0195/1
.F.1660 SR	FCS0195/3
.F.1661	FCD0123
.F.1661 R	FCD0123/1
.F.1662	FCD0157
.F.1662 R	FCD0157/1
.F.1665	FCD0133
.F.1665 AC	FCS0133/2
.F.1665 R	FCD0133/1
.F.1665 SR	FCS0133/3
.F.1667	FCD0139
.F.1667 AC	FCS0139/2
.F.1667 R	FCD0139/1
.F.1667 SR	FCS0139/3
.F.1668	FCD0140
.F.1672	FCD0138
.F.1672 R	FCD0138/1
.F.1674	FCD0134
.F.1675	FCD0162
.F.1675 R	FCD0162/1
.F.1676	FCD0135
.F.1676 AC	FCS0135/2
.F.1676 R	FCD0135/1
.F.1676 SR	FCS0135/3
.F.1677	FCD0159
.F.1677 AC	FCS0159/2
.F.1677 R	FCD0159/1
.F.1677 SR	FCS0159/3
.F.1678	FCD0180
.F.1679	FCD0160
.F.1679 R	FCD0160/1
.F.1680	FCD0170
.F.1680 R	FCD0170/1
.F.1681	FCD0137
.F.1683	FCD0181
.F.1683 AC	FCS0181/2
.F.1683 R	FCD0181/1
.F.1683 SR	FCS0181/3
.F.1684	FCD0142
.F.1684 AC	FCS0142/2
.F.1684 R	FCD0142/1
.F.1684 SR	FCS0142/3
.F.1685	FCD0675
.F.1685 AC	FCS0675/2
.F.1685 R	FCD0675/1
.F.1685 SR	FCS0675/3
.F.1686	FCD0143
.F.1686 AC	FCS0143/2
.F.1686 R	FCD0143/1
.F.1686 SR	FCS0143/3
.F.1687	FCD0182
.F.1693	FCD0171
.F.1693 R	FCD0171/1

CLUTCHES X-REF

COMPETITORS TO FERODO

NEWFREN	Ferodo
.F.1698	FCD0183
.F.1698 R	FCD0183/1
.F.1700	FCD0432
.F.1700 R	FCD0432/1
.F.1701	FCD0430
.F.1701 R	FCD0430/1
.F.1702	FCD0442
.F.1702 R	FCD0442/1
.F.1703	FCD0431
.F.1703 R	FCD0431/1
.F.1704	FCD0450
.F.1704 R	FCD0450/1
.F.1705	FCD0455
.F.1705 AC	FCS0455/2
.F.1705 R	FCD0455/1
.F.1705 SR	FCS0455/3
.F.1706	FCD0456
.F.1706 AC	FCS0456/2
.F.1706 R	FCD0456/1
.F.1706 SR	FCS0456/3
.F.1708	FCD0457
.F.1708 AC	FCS0457/2
.F.1708 R	FCD0457/1
.F.1708 SR	FCS0457/3
.F.1709	FCD0458
.F.1709 R	FCD0458/1
.F.1710	FCD0459
.F.1711	FCD0460
.F.1711 R	FCD0460/1
.F.1712	FCD0403
.F.1720	FCD0415
.F.1720 AC	FCS0415/2
.F.1720 R	FCD0415/1
.F.1720 SR	FCS0415/3
.F.1721	FCD0451
.F.1721 R	FCD0451/1
.F.1726	FCD0418
.F.1728	FCD0461
.F.1728 R	FCD0461/1
.F.1729	FCD0462
.F.1729 AC	FCS0462/2
.F.1732	FCD0425
.F.1732 AC	FCS0425/2
.F.1732 R	FCD0425/1
.F.1732 SR	FCS0425/3
.F.1734	FCD0433
.F.1734 R	FCD0433/1
.F.1735	FCD0444
.F.1736	FCD0416
.F.1737	FCD0434
.F.1738	FCD0412
.F.1739	FCD0410
.F.1741	FCD0424
.F.1741 AC	FCS0424/2
.F.1741 R	FCD0424/1

NEWFREN	Ferodo
.F.1741 SR	FCS0424/3
.F.1742	FCD0423
.F.1742 AC	FCS0423/2
.F.1742 R	FCD0423/1
.F.1742 SR	FCS0423/3
.F.1743	FCD0445
.F.1743 AC	FCS0445/2
.F.1743 R	FCD0445/1
.F.1743 SR	FCS0445/3
.F.1744	FCD0421
.F.1744 R	FCD0421/1
.F.1746	FCD0419
.F.1746 AC	FCS0419/2
.F.1747	FCD0417
.F.1747 AC	FCS0417/2
.F.1747 R	FCD0417/1
.F.1747 SR	FCS0417/3
.F.1748	FCD0414
.F.1748 R	FCD0414/1
.F.1750	FCD0411
.F.1750 AC	FCS0411/2
.F.1751	FCD0408
.F.1751 AC	FCS0408/2
.F.1751 R	FCD0408/1
.F.1751 SR	FCS0408/3
.F.1752	FCD0405
.F.1752 AC	FCS0405/2
.F.1752 R	FCD0405/1
.F.1752 SR	FCS0405/3
.F.1753	FCD0435
.F.1755	FCD0446
.F.1755 R	FCD0446/1
.F.1756	FCD0404
.F.1756 R	FCD0404/1
.F.1757	FCD0420
.F.1757 AC	FCS0420/2
.F.1757 R	FCD0420/1
.F.1757 SR	FCS0420/3
.F.1759	FCD0454
.F.1759 AC	FCS0454/2
.F.1759 R	FCD0454/1
.F.1759 SR	FCS0454/3
.F.1760	FCD0436
.F.1761	FCD0447
.F.1761 R	FCD0447/1
.F.1762	FCD0406
.F.1762 AC	FCS0406/2
.F.1762 R	FCD0406/1
.F.1762 SR	FCS0406/3
.F.1763	FCD0407
.F.1764	FCD0422
.F.1764 AC	FCS0422/2
.F.1764 R	FCD0422/1
.F.1764 SR	FCS0422/3
.F.1767	FCD0437

NEWFREN	Ferodo
.F.1770	FCD0116
.F.1770 R	FCD0116/1
.F.1771	FCD0402
.F.1771 R	FCD0402/1
.F.1772	FCD0409
.F.1772 AC	FCS0409/2
.F.1772 R	FCD0409/1
.F.1772 SR	FCS0409/3
.F.1773	FCD0413
.F.1775	FCD0426
.F.1775 R	FCD0426/1
.F.1777	FCD0438
.F.1777 R	FCD0438/1
.F.1781	FCD0427
.F.1781 R	FCD0427/1
.F.1786	FCD0448
.F.1786 AC	FCS0448/2
.F.1786 R	FCD0448/1
.F.1786 SR	FCS0448/3
.F.1792	FCD0428
.F.1792 AC	FCS0428/2
.F.1792 R	FCD0428/1
.F.1792 SR	FCS0428/3
.F.1794	FCD0429
.F.1794 AC	FCS0429/2
.F.1795	FCD0441
.F.1795 R	FCD0441/1
.F.1796	FCD0449
.F.1799	FCD0463
.F.1799 R	FCD0463/1
.F.1800	FCD0252
.F.1800 R	FCD0252/1
.F.1801	FCD0267
.F.1801 AC	FCS0267/2
.F.1801 R	FCD0267/1
.F.1801 SR	FCS0267/3
.F.1803	FCD0279
.F.1804	FCD0284
.F.1805	FCD0287
.F.1805 R	FCD0287/1
.F.1806	FCD0286
.F.1806 R	FCD0286/1
.F.1811	FCD0285
.F.1811 R	FCD0285/1
.F.1816	FCD0227
.F.1817	FCD0226
.F.1817 R	FCD0226/1
.F.1819	FCD0268
.F.1820	FCD0213
.F.1820 R	FCD0213/1
.F.1821	FCD0211
.F.1822	FCD0280
.F.1822 R	FCD0280/1
.F.1823	FCD0210
.F.1825	FCD0254

CLUTCHES X-REF

COMPETITORS TO FERODO

NEWFREN	Ferodo
.F.1826	FCD0205
.F.1828	FCD0281
.F.1830	FCD0233
.F.1830 AC	FCS0233/2
.F.1830 R	FCD0233/1
.F.1830 SR	FCS0233/3
.F.1831	FCD0208
.F.1831 R	FCD0208/1
.F.1832	FCD0255
.F.1832 R	FCD0255/1
.F.1836	FCD0212
.F.1836 AC	FCS0212/2
.F.1836 R	FCD0212/1
.F.1836 SR	FCS0212/3
.F.1837	FCD0218
.F.1837 AC	FCS0218/2
.F.1837 R	FCD0218/1
.F.1837 SR	FCS0218/3
.F.1838	FCD0223
.F.1838 AC	FCS0223/2
.F.1838 R	FCD0223/1
.F.1838 SR	FCS0223/3
.F.1840	FCD0230
.F.1840 AC	FCS0230/2
.F.1840 R	FCD0230/1
.F.1840 SR	FCS0230/3
.F.1842	FCD0216
.F.1842 AC	FCS0216/2
.F.1842 R	FCD0216/1
.F.1842 SR	FCS0216/3
.F.1843	FCD0207
.F.1844	FCD0256
.F.1844 R	FCD0256/1
.F.1845	FCD0228
.F.1845 AC	FCS0228/2
.F.1845 R	FCD0228/1
.F.1845 SR	FCS0228/3
.F.1846	FCD0270
.F.1848	FCD0201
.F.1849	FCD0283
.F.1850	FCD0257
.F.1852	FCD0232
.F.1852 AC	FCS0232/2
.F.1852 R	FCD0232/1
.F.1852 SR	FCS0232/3
.F.1853	FCD0258
.F.1855	FCD0278
.F.1855 R	FCD0278/1
.F.1856	FCD0231
.F.1856 AC	FCS0231/2
.F.1856 R	FCD0231/1
.F.1856 SR	FCS0231/3
.F.1857	FCD0220
.F.1857 AC	FCS0220/2
.F.1857 R	FCD0220/1

NEWFREN	Ferodo
.F.1857 SR	FCS0220/3
.F.1858	FCD0277
.F.1859	FCD0259
.F.1859 R	FCD0259/1
.F.1860	FCD0203
.F.1860 R	FCD0203/1
.F.1862	FCD0204
.F.1862 R	FCD0204/1
.F.1863	FCD0206
.F.1864	FCD0215
.F.1864 AC	FCS0215/2
.F.1864 R	FCD0215/1
.F.1864 SR	FCS0215/3
.F.1865	FCD0217
.F.1865 R	FCD0217/1
.F.1866	FCD0221
.F.1866 AC	FCS0221/2
.F.1866 R	FCD0221/1
.F.1866 SR	FCS0221/3
.F.1868	FCD0202
.F.1869	FCD0291
.F.1870	FCD0209
.F.1870 R	FCD0209/1
.F.1871	FCD0260
.F.1871 R	FCD0260/1
.F.1872	FCD0292
.F.1872 AC	FCS0292/2
.F.1873	FCD0229
.F.1873 R	FCD0229/1
.F.1875	FCD0219
.F.1875 R	FCD0219/1
.F.1876	FCD0261
.F.1876 R	FCD0261/1
.F.1877	FCD0293
.F.1877 R	FCD0293/1
.F.1880	FCD0294
.F.1880 R	FCD0294/1
.F.1882	FCD0271
.F.1882 R	FCD0271/1
.F.1889	FCD0678
.F.1889 AC	FCS0678/2
.F.1889 R	FCD0678/1
.F.1889 SR	FCS0678/3
.F.1890	FCD1233
.F.1891	FCD0295
.F.1891 AC	FCS0295/2
.F.1891 R	FCD0295/1
.F.1891 SR	FCS0295/3
.F.1893	FCD0296
.F.1893 R	FCD0296/1
.F.1896	FCD0266
.F.1897	FCD0225
.F.1897 R	FCD0225/1
.F.1898	FCD0262
.F.1900	FCD0347

NEWFREN	Ferodo
.F.1900 R	FCD0347/1
.F.1901	FCD0340
.F.1901 AC	FCS0340/2
.F.1901 R	FCD0340/1
.F.1901 SR	FCS0340/3
.F.1902	FCD0360
.F.1903	FCD0363
.F.1903 AC	FCS0363/2
.F.1903 R	FCD0363/1
.F.1903 SR	FCS0363/3
.F.1904	FCD0369
.F.1904 R	FCD0369/1
.F.1905	FCD0353
.F.1906	FCD0378
.F.1906 AC	FCS0378/2
.F.1906 R	FCD0378/1
.F.1906 SR	FCS0378/3
.F.1907	FCD0379
.F.1907 AC	FCS0379/2
.F.1907 R	FCD0379/1
.F.1907 SR	FCS0379/3
.F.1908	FCD0380
.F.1908 R	FCD0380/1
.F.1909	FCD0381
.F.1909 R	FCD0381/1
.F.1910	FCD0382
.F.1910 R	FCD0382/1
.F.1915	FCD0383
.F.1916	FCD0315
.F.1916 R	FCD0315/1
.F.1919	FCD0384
.F.1919 R	FCD0384/1
.F.1921	FCD0341
.F.1922	FCD0366
.F.1922 R	FCD0366/1
.F.1924	FCD0368
.F.1924 R	FCD0368/1
.F.1928	FCD0385
.F.1928 AC	FCS0385/2
.F.1928 R	FCD0385/1
.F.1928 SR	FCS0385/3
.F.1929	FCD0386
.F.1929 R	FCD0386/1
.F.1930	FCD0387
.F.1930 AC	FCS0387/2
.F.1930 R	FCD0387/1
.F.1930 SR	FCS0387/3
.F.1931	FCD0388
.F.1931 AC	FCS0388/2
.F.1931 R	FCD0388/1
.F.1931 SR	FCS0388/3
.F.1932	FCD0389
.F.1932 AC	FCS0389/2
.F.1932 R	FCD0389/1
.F.1932 SR	FCS0389/3

CLUTCHES X-REF

COMPETITORS TO FERODO

NEWFREN	Ferodo
.F.1934	FCD0370
.F.1934 R	FCD0370/1
.F.1935	FCD0325
.F.1935 R	FCD0325/1
.F.1936	FCD0361
.F.1937	FCD0374
.F.1938	FCD0323
.F.1938 R	FCD0323/1
.F.1939	FCD0391
.F.1939 AC	FCS0391/2
.F.1939 R	FCD0391/1
.F.1939 SR	FCS0391/3
.F.1940	FCD0321
.F.1940 AC	FCS0321/2
.F.1940 R	FCD0321/1
.F.1940 SR	FCS0321/3
.F.1941	FCD0319
.F.1942	FCD0318
.F.1942 AC	FCS0318/2
.F.1942 R	FCD0318/1
.F.1942 SR	FCS0318/3
.F.1943	FCD0328
.F.1943 AC	FCS0328/2
.F.1943 R	FCD0328/1
.F.1943 SR	FCS0328/3
.F.1944	FCD0316
.F.1944 R	FCD0316/1
.F.1946	FCD0352
.F.1947	FCD0342
.F.1947 AC	FCS0342/2
.F.1947 R	FCD0342/1
.F.1949	FCD0355
.F.1950	FCD0362
.F.1950 R	FCD0362/1
.F.1951	FCD0359
.F.1951 R	FCD0359/1
.F.1952	FCD0365
.F.1952 R	FCD0365/1
.F.1953	FCD0346
.F.1954	FCD0367
.F.1955	FCD0371
.F.1956	FCD0373
.F.1957	FCD0364
.F.1958	FCD0354
.F.1960	FCD0358
.F.1961	FCD0306
.F.1961 R	FCD0306/1
.F.1962	FCD0312
.F.1962 R	FCD0312/1
.F.1963	FCD0351
.F.1964	FCD0320
.F.1964 AC	FCS0320/2
.F.1965	FCD0324
.F.1965 R	FCD0324/1
.F.1966	FCD0327

NEWFREN	Ferodo
.F.1966 R	FCD0327/1
.F.1968	FCD0330
.F.1968 R	FCD0330/1
.F.1969	FCD0326
.F.1969 AC	FCS0326/2
.F.1969 R	FCD0326/1
.F.1969 SR	FCS0326/3
.F.1970	FCD0305
.F.1971	FCD0313
.F.1971 AC	FCS0313/2
.F.1971 R	FCD0313/1
.F.1971 SR	FCS0313/3
.F.1972	FCD0309
.F.1972 R	FCD0309/1
.F.1973	FCD0304
.F.1973 AC	FCS0304/2
.F.1973 R	FCD0304/1
.F.1973 SR	FCS0304/3
.F.1975	FCD0317
.F.1975 R	FCD0317/1
.F.1978	FCD0392
.F.1978 AC	FCS0392/2
.F.1978 R	FCD0392/1
.F.1978 SR	FCS0392/3
.F.1979	FCD0310
.F.1979 R	FCD0310/1
.F.1980	FCD0301
.F.1980 R	FCD0301/1
.F.1981	FCD0302
.F.1981 R	FCD0302/1
.F.1982	FCD0303
.F.1983	FCD0372
.F.1984	FCD0311
.F.1985	FCD0349
.F.1985 R	FCD0349/1
.F.1987	FCD0307
.F.1987 R	FCD0307/1
.F.1988	FCD0308
.F.1988 AC	FCS0308/2
.F.1988 R	FCD0308/1
.F.1988 SR	FCS0308/3
.F.1990	FCD0322
.F.1990 AC	FCS0322/2
.F.1990 R	FCD0322/1
.F.1990 SR	FCS0322/3
.F.1991	FCD0393
.F.1991 R	FCD0393/1
.F.1992	FCD0394
.F.1993	FCD0395
.F.1994	FCD0332
.F.1994 AC	FCS0332/2
.F.1994 R	FCD0332/1
.F.1994 SR	FCS0332/3
.F.1996	FCD0333
.F.1996 AC	FCS0333/2

NEWFREN	Ferodo
.F.1996 R	FCD0333/1
.F.1996 SR	FCS0333/3
.F.1997	FCD0334
.F.1997 AC	FCS0334/2
.F.1997 R	FCD0334/1
.F.1997 SR	FCS0334/3
.F.1998	FCD0335
.F.1998 AC	FCS0335/2
.F.1998 R	FCD0335/1
.F.1998 SR	FCS0335/3
.F.2602	FCD0151
.F.2602 AC	FCS0151/2
.F.2602 R	FCD0151/1
.F.2602 SR	FCS0151/3
.F.2609	FCD0131
.F.2609 AC	FCS0131/2
.F.2609 R	FCD0131/1
.F.2609 SR	FCS0131/3
.F.2623	FCD0196
.F.2623 R	FCD0196/1
.F.2631	FCD0197
.F.2632	FCD0198
.F.2633	FCD0199
.F.2633 R	FCD0199/1
.F.2635	FCD1101
.F.2636	FCD1102
.F.2636 AC	FCS1102/2
.F.2636 R	FCD1102/1
.F.2636 SR	FCS1102/3
.F.2637	FCD1103
.F.2637 AC	FCS1103/2
.F.2637 R	FCD1103/1
.F.2637 SR	FCS1103/3
.F.2638	FCD1104
.F.2638 R	FCD1104/1
.F.2639	FCD1105
.F.2639 AC	FCS1105/2
.F.2639 R	FCD1105/1
.F.2639 SR	FCS1105/3
.F.2640	FCD1106
.F.2640 AC	FCS1106/2
.F.2640 R	FCD1106/1
.F.2640 SR	FCS1106/3
.F.2644	FCD0184
.F.2644 R	FCD0184/1
.F.2647	FCD0144
.F.2647 R	FCD0144/1
.F.2654	FCD0145
.F.2654 AC	FCS0145/2
.F.2654 R	FCD0145/1
.F.2654 SR	FCS0145/3
.F.2655	FCD0146
.F.2655 R	FCD0146/1
.F.2666	FCD1107
.F.2666 AC	FCS1107/2

CLUTCHES X-REF

COMPETITORS TO FERODO

NEWFREN	Ferodo
.F.2666 R	FCD1107/1
.F.2666 SR	FCS1107/3
.F.2676	FCD0147
.F.2676 AC	FCS0147/2
.F.2676 R	FCD0147/1
.F.2676 SR	FCS0147/3
.F.2678	FCD0149
.F.2679	FCD0186
.F.2679 R	FCD0186/1
.F.2680	FCD0174
.F.2680 R	FCD0174/1
.F.2683	FCD1108
.F.2683 R	FCD1108/1
.F.2684	FCD1109
.F.2684 AC	FCS1109/2
.F.2684 R	FCD1109/1
.F.2684 SR	FCS1109/3
.F.2685	FCD1110
.F.2685 AC	FCS1110/2
.F.2685 R	FCD1110/1
.F.2685 SR	FCS1110/3
.F.2686	FCD1111
.F.2686 R	FCD1111/1
.F.2687	FCD1112
.F.2687 AC	FCS1112/2
.F.2687 R	FCD1112/1
.F.2687 SR	FCS1112/3
.F.2688	FCD1113
.F.2688 AC	FCS1113/2
.F.2688 R	FCD1113/1
.F.2688 SR	FCS1113/3
.F.2689	FCD1114
.F.2689 AC	FCS1114/2
.F.2689 R	FCD1114/1
.F.2689 SR	FCS1114/3
.F.2690	FCD1115
.F.2690 AC	FCS1115/2
.F.2690 R	FCD1115/1
.F.2690 SR	FCS1115/3
.F.2691	FCD1116
.F.2691 AC	FCS1116/2
.F.2691 R	FCD1116/1
.F.2691 SR	FCS1116/3
.F.2692	FCD1117
.F.2692 AC	FCS1117/2
.F.2692 R	FCD1117/1
.F.2692 SR	FCS1117/3
.F.2693	FCD1118
.F.2693 AC	FCS1118/2
.F.2693 R	FCD1118/1
.F.2693 SR	FCS1118/3
.F.2694	FCD1119
.F.2694 AC	FCS1119/2
.F.2694 R	FCD1119/1
.F.2694 SR	FCS1119/3

NEWFREN	Ferodo
.F.2695	FCD1120
.F.2695 AC	FCS1120/2
.F.2695 R	FCD1120/1
.F.2695 SR	FCS1120/3
.F.2696	FCD1121
.F.2696 AC	FCS1121/2
.F.2696 R	FCD1121/1
.F.2696 SR	FCS1121/3
.F.2697	FCD1122
.F.2697 AC	FCS1122/2
.F.2697 R	FCD1122/1
.F.2697 SR	FCS1122/3
.F.2698	FCD1123
.F.2698 AC	FCS1123/2
.F.2698 R	FCD1123/1
.F.2698 SR	FCS1123/3
.F.2699	FCD1124
.F.2699 AC	FCS1124/2
.F.2699 R	FCD1124/1
.F.2699 SR	FCS1124/3
.F.2700	FCD0464
.F.2701	FCD0465
.F.2701 AC	FCS0465/2
.F.2701 R	FCD0465/1
.F.2701 SR	FCS0465/3
.F.2702	FCD0466
.F.2702 AC	FCS0466/2
.F.2702 R	FCD0466/1
.F.2702 SR	FCS0466/3
.F.2703	FCD0467
.F.2703 AC	FCS0467/2
.F.2703 R	FCD0467/1
.F.2703 SR	FCS0467/3
.F.2704	FCD0468
.F.2704 AC	FCS0468/2
.F.2704 R	FCD0468/1
.F.2704 SR	FCS0468/3
.F.2705	FCD0469
.F.2705 AC	FCS0469/2
.F.2705 R	FCD0469/1
.F.2705 SR	FCS0469/3
.F.2706	FCD0470
.F.2706 R	FCD0470/1
.F.2707	FCD0471
.F.2707 AC	FCS0471/2
.F.2707 R	FCD0471/1
.F.2707 SR	FCS0471/3
.F.2708	FCD0472
.F.2708 AC	FCS0472/2
.F.2708 R	FCD0472/1
.F.2708 SR	FCS0472/3
.F.2709	FCD0473
.F.2710	FCD0474
.F.2710 R	FCD0474/1
.F.2711	FCD0475

NEWFREN	Ferodo
.F.2712	FCD0476
.F.2712 AC	FCS0476/2
.F.2712 R	FCD0476/1
.F.2712 SR	FCS0476/3
.F.2713	FCD0477
.F.2713 R	FCD0477/1
.F.2714	FCD0478
.F.2714 AC	FCS0478/2
.F.2714 R	FCD0478/1
.F.2714 SR	FCS0478/3
.F.2715	FCD0479
.F.2715 AC	FCS0479/2
.F.2715 R	FCD0479/1
.F.2715 SR	FCS0479/3
.F.2716	FCD0480
.F.2716 AC	FCS0480/2
.F.2716 R	FCD0480/1
.F.2716 SR	FCS0480/3
.F.2717	FCD0481
.F.2717 R	FCD0481/1
.F.2718	FCD0482
.F.2718 AC	FCS0482/2
.F.2718 R	FCD0482/1
.F.2718 SR	FCS0482/3
.F.2719	FCD0483
.F.2719 AC	FCS0483/2
.F.2719 R	FCD0483/1
.F.2719 SR	FCS0483/3
.F.2720	FCD0484
.F.2720 AC	FCS0484/2
.F.2720 R	FCD0484/1
.F.2720 SR	FCS0484/3
.F.2721	FCD0485
.F.2721 R	FCD0485/1
.F.2722	FCD0486
.F.2722 AC	FCS0486/2
.F.2722 R	FCD0486/1
.F.2722 SR	FCS0486/3
.F.2723	FCD0487
.F.2723 AC	FCS0487/2
.F.2723 R	FCD0487/1
.F.2723 SR	FCS0487/3
.F.2805	FCD0222
.F.2805 R	FCD0222/1
.F.2809	FCD0236
.F.2809 AC	FCS0236/2
.F.2809 R	FCD0236/1
.F.2809 SR	FCS0236/3
.F.2810	FCD0237
.F.2810 R	FCD0237/1
.F.2811	FCD0235
.F.2811 AC	FCS0235/2
.F.2811 R	FCD0235/1
.F.2811 SR	FCS0235/3
.F.2812	FCD0238

CLUTCHES X-REF

COMPETITORS TO FERODO

NEWFREN	Ferodo
.F.2812 AC	FCS0238/2
.F.2812 R	FCD0238/1
.F.2812 SR	FCS0238/3
.F.2813	FCD0239
.F.2813 AC	FCS0239/2
.F.2813 R	FCD0239/1
.F.2813 SR	FCS0239/3
.F.2814	FCD0234
.F.2814 AC	FCS0234/2
.F.2814 R	FCD0234/1
.F.2814 SR	FCS0234/3
.F.2815	FCD0240
.F.2815 AC	FCS0240/2
.F.2815 R	FCD0240/1
.F.2815 SR	FCS0240/3
.F.2817	FCD0241
.F.2817 AC	FCS0241/2
.F.2817 R	FCD0241/1
.F.2817 SR	FCS0241/3
.F.2820	FCD0242
.F.2821	FCD0243
.F.2821 AC	FCS0243/2
.F.2821 R	FCD0243/1
.F.2821 SR	FCS0243/3
.F.2823	FCD0244
.F.2823 AC	FCS0244/2
.F.2823 R	FCD0244/1
.F.2823 SR	FCS0244/3
.F.2827	FCD0263
.F.2827 AC	FCS0263/2
.F.2827 R	FCD0263/1
.F.2827 SR	FCS0263/3
.F.2828	FCD0297
.F.2830	FCD0245
.F.2830 AC	FCS0245/2
.F.2830 R	FCD0245/1
.F.2830 SR	FCS0245/3
.F.2836	FCD0246
.F.2836 AC	FCS0246/2
.F.2836 R	FCD0246/1
.F.2836 SR	FCS0246/3
.F.2842	FCD0275
.F.2842 R	FCD0275/1
.F.2843	FCD0247
.F.2843 AC	FCS0247/2
.F.2843 R	FCD0247/1
.F.2843 SR	FCS0247/3
.F.2844	FCD0249
.F.2844 AC	FCS0249/2
.F.2844 R	FCD0249/1
.F.2844 SR	FCS0249/3
.F.2845	FCD0248
.F.2845 AC	FCS0248/2
.F.2845 R	FCD0248/1
.F.2845 SR	FCS0248/3

NEWFREN	Ferodo
.F.2846	FCD0251
.F.2846 AC	FCS0251/2
.F.2846 R	FCD0251/1
.F.2846 SR	FCS0251/3
.F.2850	FCD0290
.F.2850 AC	FCS0290/2
.F.2850 R	FCD0290/1
.F.2850 SR	FCS0290/3
.F.2851	FCD0298
.F.2851 R	FCD0298/1
.F.2852	FCD0299
.F.2852 R	FCD0299/1
.F.2853	FCD1201
.F.2853 R	FCD1201/1
.F.2854	FCD1202
.F.2854 AC	FCS1202/2
.F.2854 R	FCD1202/1
.F.2854 SR	FCS1202/3
.F.2855	FCD1203
.F.2855 R	FCD1203/1
.F.2856	FCD1204
.F.2856 R	FCD1204/1
.F.2857	FCD1205
.F.2858	FCD1206
.F.2858 R	FCD1206/1
.F.2859	FCD1207
.F.2859 R	FCD1207/1
.F.2860	FCD1208
.F.2860 AC	FCS1208/2
.F.2860 R	FCD1208/1
.F.2860 SR	FCS1208/3
.F.2861	FCD1209
.F.2861 R	FCD1209/1
.F.2862	FCD1210
.F.2862 AC	FCS1210/2
.F.2863	FCD1211
.F.2863 AC	FCS1211/2
.F.2863 R	FCD1211/1
.F.2863 SR	FCS1211/3
.F.2864	FCD1212
.F.2864 AC	FCS1212/2
.F.2864 R	FCD1212/1
.F.2864 SR	FCS1212/3
.F.2865	FCD1213
.F.2865 R	FCD1213/1
.F.2866	FCD1214
.F.2866 R	FCD1214/1
.F.2867	FCD1215
.F.2867 R	FCD1215/1
.F.2868	FCD1216
.F.2868 R	FCD1216/1
.F.2869	FCD1217
.F.2869 R	FCD1217/1
.F.2870	FCD1218
.F.2870 R	FCD1218/1

NEWFREN	Ferodo
.F.2871	FCD1219
.F.2871 R	FCD1219/1
.F.2872	FCD1220
.F.2872 AC	FCS1220/2
.F.2872 R	FCD1220/1
.F.2872 SR	FCS1220/3
.F.2873	FCD1221
.F.2873 R	FCD1221/1
.F.2874	FCD1222
.F.2874 AC	FCS1222/2
.F.2874 R	FCD1222/1
.F.2874 SR	FCS1222/3
.F.2875	FCD1223
.F.2875 R	FCD1223/1
.F.2876	FCD1224
.F.2876 R	FCD1224/1
.F.2877	FCD1225
.F.2877 AC	FCS1225/2
.F.2877 R	FCD1225/1
.F.2877 SR	FCS1225/3
.F.2878	FCD1226
.F.2878 AC	FCS1226/2
.F.2878 R	FCD1226/1
.F.2878 SR	FCS1226/3
.F.2879	FCD1227
.F.2879 AC	FCS1227/2
.F.2879 R	FCD1227/1
.F.2879 SR	FCS1227/3
.F.2880	FCD1228
.F.2880 R	FCD1228/1
.F.2881	FCD1229
.F.2881 R	FCD1229/1
.F.2882	FCD1230
.F.2882 R	FCD1230/1
.F.2883	FCD1231
.F.2883 AC	FCS1231/2
.F.2883 R	FCD1231/1
.F.2883 SR	FCS1231/3
.F.2884 R	FCD1232/1
.F.2884 SR	FCS1232/3
.F.2885	FCD1234
.F.2885 AC	FCS1234/2
.F.2885 R	FCD1234/1
.F.2885 SR	FCS1234/3
.F.2904	FCD0331
.F.2904 R	FCD0331/1
.F.2905	FCD0336
.F.2905 R	FCD0336/1
.F.2914	FCD0337
.F.2914 R	FCD0337/1
.F.2915	FCD0338
.F.2922	FCD0396
.F.2922 R	FCD0396/1
.F.2925	FCD0375
.F.2925 AC	FCS0375/2

CLUTCHES X-REF

COMPETITORS TO FERODO

NEWFREN	Ferodo
.F.2925 R	FCD0375/1
.F.2925 SR	FCS0375/3
.F.2926	FCD0376
.F.2926 AC	FCS0376/2
.F.2926 R	FCD0376/1
.F.2926 SR	FCS0376/3
.F.2927	FCD0377
.F.2927 AC	FCS0377/2
.F.2927 R	FCD0377/1
.F.2927 SR	FCS0377/3
.F.2928	FCD0397
.F.2928 AC	FCS0397/2
.F.2929	FCD0390
.F.2930	FCD0398
.F.2930 AC	FCS0398/2
.F.2930 R	FCD0398/1
.F.2930 SR	FCS0398/3
.F.2931	FCD0399
.F.2931 AC	FCS0399/2
.F.2931 R	FCD0399/1
.F.2931 SR	FCS0399/3
.F.2932	FCD1301
.F.2932 AC	FCS1301/2
.F.2932 R	FCD1301/1
.F.2932 SR	FCS1301/3
.F.2933	FCD1302
.F.2933 AC	FCS1302/2
.F.2933 R	FCD1302/1
.F.2933 SR	FCS1302/3
.F.2934	FCD1303
.F.2934 AC	FCS1303/2
.F.2934 R	FCD1303/1
.F.2934 SR	FCS1303/3
.F.2935	FCD1304
.F.2935 R	FCD1304/1
.F.2936	FCD1305
.F.2936 AC	FCS1305/2
.F.2936 R	FCD1305/1
.F.2936 SR	FCS1305/3
.F.2937	FCD1306
.F.2937 R	FCD1306/1
.F.2938	FCD1307
.F.2939	FCD1308
.F.2939 R	FCD1308/1
.F.2940	FCD1309
.F.2940 AC	FCS1309/2
.F.2940 R	FCD1309/1
.F.2940 SR	FCS1309/3
.F.2941	FCD1310
.F.2941 R	FCD1310/1
.F.2942	FCD1311
.F.2942 AC	FCS1311/2
.F.2942 R	FCD1311/1
.F.2942 SR	FCS1311/3
.F.2943	FCD1312

NEWFREN	Ferodo
.F.2943 AC	FCS1312/2
.F.2943 R	FCD1312/1
.F.2943 SR	FCS1312/3
.F.2944	FCD1313
.F.2944 AC	FCS1313/2
.F.2944 R	FCD1313/1
.F.2944 SR	FCS1313/3
.F.2945	FCD1314
.F.2945 AC	FCS1314/2
.F.2945 R	FCD1314/1
.F.2945 SR	FCS1314/3
.F.2946	FCD1315
.F.2946 AC	FCS1315/2
.F.2946 R	FCD1315/1
.F.2946 SR	FCS1315/3
.F.3600	FCD1125
.F.3600 R	FCD1125/1
.F.3601	FCD1126
.F.3601 AC	FCS1126/2
.F.3602	FCD1127
.F.3602 R	FCD1127/1
.F.3603	FCD1128
.F.3603 AC	FCS1128/2
.F.3603 R	FCD1128/1
.F.3603 SR	FCS1128/3
.F.3604	FCD1129
.F.3604 R	FCD1129/1
.FC.1330	FCC0521
.FC.1331	FCC0503
.FC.1332	FCC0531
.FC.1333	FCC0522
.FC.1334	FCC0504
.FC.1335	FCC0101
.FC.1336	FCC0505
.FC.1340 R	FCC0520
.FC.1341	FCC0105
.FC.1343	FCC0109
.FC.1344	FCC0104
.FC.1345	FCC0108
.FC.1346	FCC0106
.FC.1347	FCC0516
.FC.1349	FCC0535
.FC.1350	FCC0527
.FC.1351	FCC0539
.FC.1352	FCC0107
.FC.1353	FCC0301
.FC.1354	FCC0538
.FC.1355 R	FCC0541
.FC.1356	FCC0540
.FC.1357	FCC0506
.FC.1358	FCC0514
.FC.1359	FCC0102
.FC.1360	FCC0511
.FC.1361	FCC0536
.FC.1362	FCC0523

NEWFREN	Ferodo
.FC.1363	FCC0507
.FC.1364	FCC0524
.FC.1365	FCC0544
.FC.1367	FCC0517
.FC.1368	FCC0545
.FC.1369	FCC0508
.FC.1370	FCC0537
.FC.1371	FCC0532
.FC.1372	FCC0543
.FC.1373	FCC0547
.FC.1376	FCC0548
.FC.1377	FCC0549
.FC.1378	FCC0550
.FC.1382	FCC0556
.FC.1383	FCC0553
.FC.1384	FCC0554
.FC.1385	FCC0557
.FC.1386	FCC0558
.FC.1388	FCC0560
.FC.1390	FCC0563
.FC.1391	FCC0564
.FC.1392	FCC0565
.FC.1393	FCC0566
.FC.1394	FCC0567
.FC.1396	FCC0569
.FC.K345	FCG0108
.FC.K346	FCG0106
.FC.K347	FCG0516
.FC.K350	FCG0527
.FC.K351	FCG0539
.FC.K352	FCG0107
.FC.K353	FCG0301
.FC.K354	FCG0538
.FC.K355 R	FCG0541
.FC.K356	FCG0540
.FC.K357	FCG0506
.FC.K358	FCG0514
.FC.K359	FCG0102
.FC.K360	FCG0511
.FC.K361	FCG0536
.FC.K362	FCG0523
.FC.K363	FCG0507
.FC.K364	FCG0524
.FC.K365	FCG0544
.FC.K367	FCG0517
.FC.K368	FCG0545
.FC.K370	FCG0537
.FC.K371	FCG0532
.FC.K372	FCG0543
.FC.K373	FCG0547
.FC.K374	FCG0553
.FC.K375	FCG0546
.FC.K376	FCG0548
.FC.K377	FCG0549
.FC.K378	FCG0550

CLUTCHES X-REF

COMPETITORS TO FERODO

NEWFREN	Ferodo
.FC.K379	FCG0551
.FC.K380	FCG0552
.FC.K382	FCG0556
.FC.K385	FCG0557
.FC.K386	FCG0558
.FC.K387	FCG0559
.FC.K388	FCG0560
.FC.K390	FCG0563
.FC.K391	FCG0564
.FC.K392	FCG0565
.FC.K393	FCG0566
.FC.K394	FCG0567
.FC.K396	FCG0569
.G.0683	FCB0001
.G.0684	FCB0018
.G.0685	FCB0016
.G.0686	FCB0006
.G.0687	FCB0023
.G.0688	FCB0014
.G.0689	FCB0008
.G.0690	FCB0020
.G.0691	FCB0010
.G.0693	FCB0013
.G.0695	FCB0024
.G.0696	FCB0026
.G.0697	FCB0009
.G.0698	FCB0025
.G.0699	FCB0028
.G.0700	FCB0022
.G.0701	FCB0005
.G.0702	FCB0015
.G.0703	FCB0012
.G.0704	FCB0007
.G.0705	FCB0019
.G.0706	FCB0021
.G.0707	FCB0017
.G.0708	FCB0011
.G.0709	FCB0003
.G.0711	FCB0029
.G.0714	FCB0030
.G.0715	FCB0031
.G.0716	FCB0033
.G.0717	FCB0035
.G.0718	FCB0036
.G.0719	FCB0044
.G.0720	FCB0045
.G.0721	FCB0046
.MO.051F	FSS0401
.MO.052F	FSS0201
.MO.053F	FSS0402
.MO.054F	FSS0101
.MO.056F	FSS0301
.MO.057F	FSS0403
.MO.058F	FSS0102
.MO.059F	FSS0103

NEWFREN	Ferodo
.MO.060F	FSS0404
.MO.061F	FSS0104
.MO.062F	FSS0105
.MO.063F	FSS0302
.MO.064F	FSS0202
.MO.065F	FSS0106
.MO.066F	FSS0107
.MO.067F	FSS0203
.MO.068F	FSS0108
.MO.069F	FSS0405
.MO.070F	FSS0109
.MO.071F	FSS0110
.MO.072F	FSS0111
.MO.073F	FSS0406
.MO.074F	FSS0112
.MO.075F	FSS0303
.MO.076F	FSS0304
.MO.077F	FSS0305
.MO.078F	FSS0113
.MO.079F	FSS0114
.MO.080F	FSS0407
.MO.081F	FSS0115
.MO.082F	FSS0306
.MO.083F	FSS0116
.MO.084F	FSS0307
.MO.085F	FSS0408
.MO.086F	FSS0308
.MO.087F	FSS0204
.MO.088F	FSS0409
.MO.089F	FSS0205
.MO.090F	FSS0410
.MO.091F	FSS0117
.MO.092F	FSS0206
.MO.093F	FSS0118
.MO.094F	FSS0125
.MO.095F	FSS0309
.MO.096F	FSS0207
.MO.097F	FSS0119
.MO.098F	FSS0120
.MO.099F	FSS0208
.MO.102F	FSS0209
.MO.103F	FSS0310
.MO.105F	FSS0320
.MO.106F	FSS0411
.MO.108F	FSS0210
.MO.109F	FSS0212
.MO.112F	FSS0412
.MO.115F	FSS0413
.MO.116F	FSS0126
.MO.117F	FSS0414
.MO.118F	FSS0312
.MO.119F	FSS0313
.MO.120F	FSS0121
.MO.121F	FSS0314
.MO.122F	FSS0315

NEWFREN	Ferodo
.MO.123F	FSS0122
.MO.124F	FSS0415
.MO.125F	FSS0316
.MO.127F	FSS0123
.MO.128F	FSS0317
.MO.129F	FSS0318
.MO.131F	FSS0211
.MO.132F	FSS0127
.MO.133F	FSS0501
.MO.138F	FSS0416
.MO.141F	FSS0215
.MO.142F	FSS0213
.MO.143F	FSS0319
.MO.147F	FSS0417
.MO.149F	FSS0418
.MO.151F	FSS0128
.MO.278F	FSS0522
.MO.279F	FSS0523
.MO.600F	FSS0502
.MO.601F	FSS0508
.MO.602F	FSS0505
.MO.604F	FSS0510
.MO.605F	FSS0514
.MO.606F	FSS0504
.MO.607F	FSS0516
.MO.609F	FSS0520
.MO.610F	FSS0506
.MO.611F	FSS0519
.MO.612F	FSS0521
.MO.613F	FSS0518
.MO.614F	FSS0511
.MO.615F	FSS0515
.MO.616F	FSS0129
.MO.620F	FSS0130
.MO.624F	FSS0132
.MO.628F	FSS0131
.MO.630F	FSS0509
.MO.631F	FSS0513
.MO.632F	FSS0507
.MO.633F	FSS0214
.MO.634F	FSS0419
.MO.635F	FSS0503
.MO.644F	FSS0216
.MO.646F	FSS0218
.MO.649F	FSS0217
.MO.664F	FSS0220
.MO.665F	FSS0219

MERCHANDISING



Champion/Ferodo
Blue Fleece
MER449



Ferodo Racing
Hooded Sweatshirt
MER443



Champion/Ferodo
Softshell Jacket
MER447



Polo Ferodo Racing
MER436



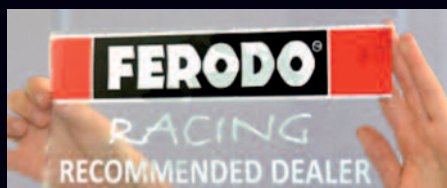
Baseball Cap Black
MER259



Ferodo
Wool Ski Hat
MER440



Ferodo Racing plastic Bag
MER203



Ferodo Racing Window Sticker
PRMV001



Display Ferodo M/C Pads
DIS204

Check out the full range at
www.ferodoracing.com -> Merchandising Section

FERODO®

MOTORCYCLE



FEDERAL MOGUL ITALY Srl Racing & Motorcycle Division

Corso Inghilterra, 2
12084 Mondovì (Cn) - Italy
Tel. +39 0174 560511
Fax +39 0174 552248

www.ferodoracing.com

ECAT



**FEDERAL-MOGUL
MOTORPARTS**

CATFE901